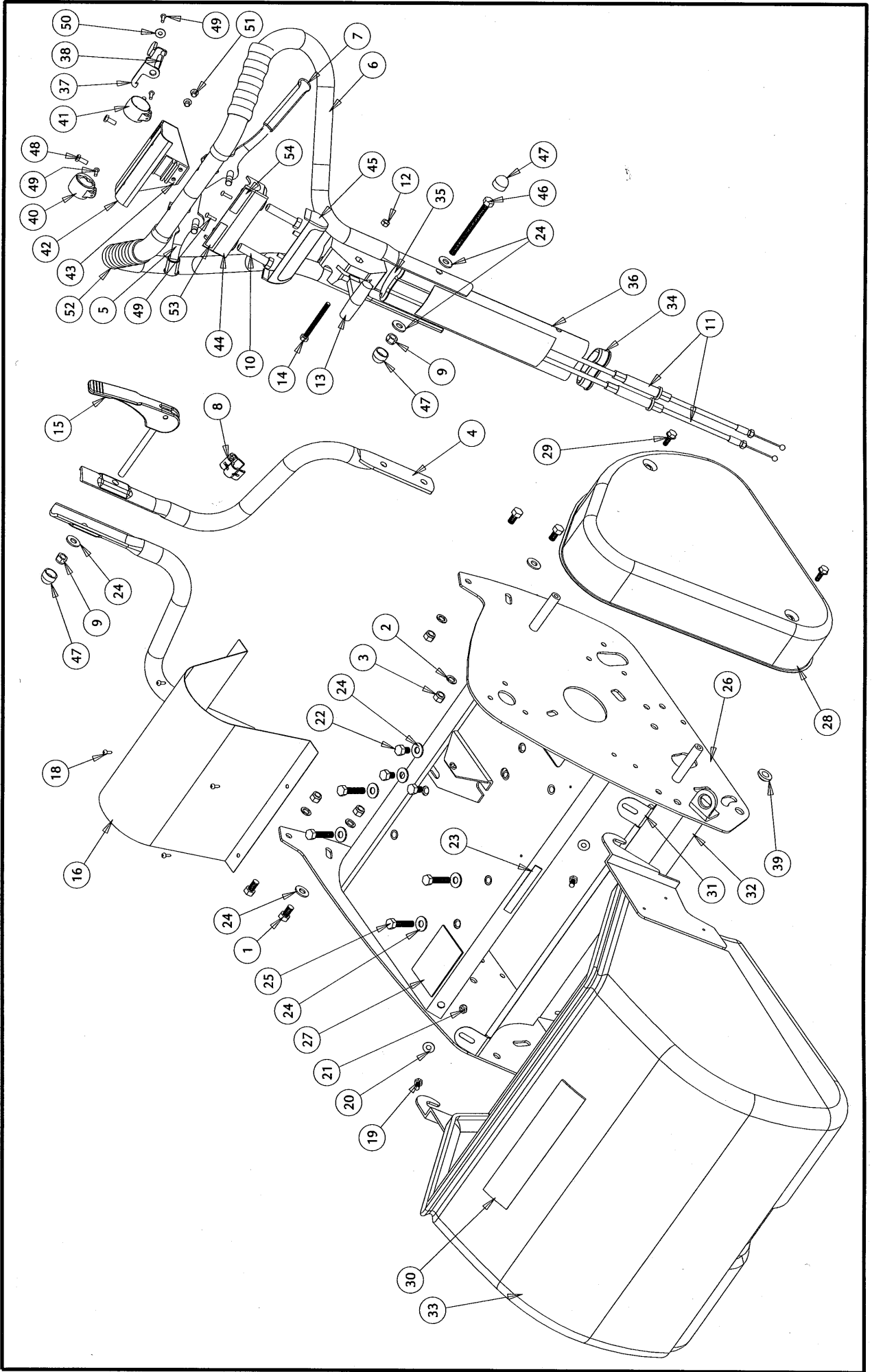




MODEL:TWIN DRIVE REEL MOWER (ALL MODELS) EUROPE - FRAME ASSEMBLY

v1 Aug 08



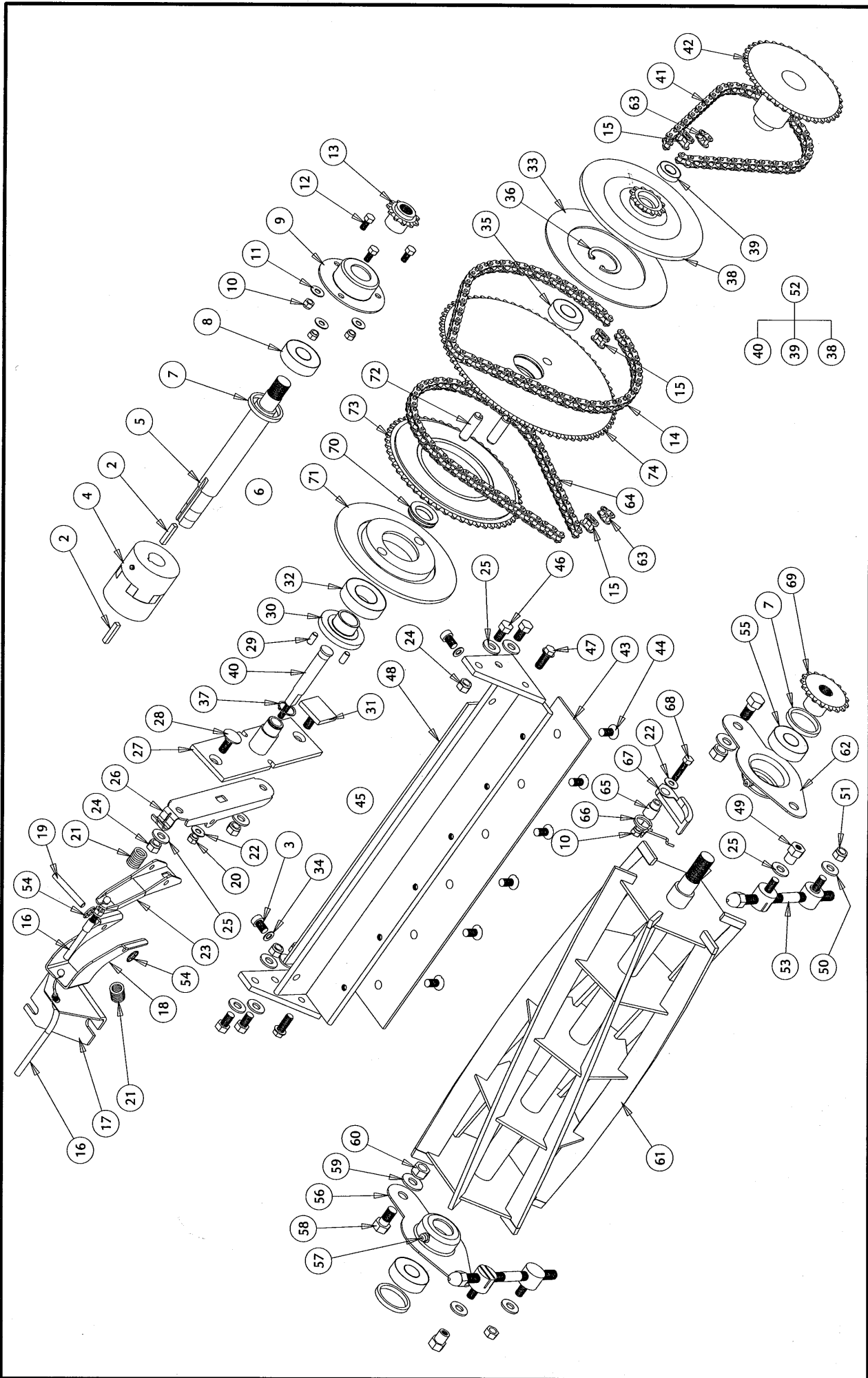


MODEL: TWIN DRIVE REEL MOWER (ALL MODELS) EUROPE - FRAME ASSEMBLY v1 Aug 08

ITEM	DESCRIPTION	PART No	ITEM	DESCRIPTION	PART No
1	BOLT HT ZP M8X20 SET SCREW	FBOPLO2	26	FRAME-660/C W/A RACING GREEN	L1605-710M
2	WASHER SPRING ZP M8	FWAPL58	26	FRAME-660/C W/A ORANGE	L1605-7100
3	NUT ZP M8	FNUPL08	27	DECAL-CAUTION REEL	L1070-230
4	HANDLE-LOWER 400 CHROME V2	L1450-165	28	GUARD-CHAIN SILVER	L1010-705S
4	HANDLE-LOWER 500 CHROME V2	L1550-165	28	GUARD-CHAIN PRIMARY GREEN	L1010-705G
4	HANDLE-LOWER 660 CHROME V2	L1650-165	28	GUARD-CHAIN RED	L1010-705R
5	LEVER-SP RH INT OVRMOULD V2	L1050-885	28	GUARD-CHAIN RACING GREEN	L1010-705M
6	HANDLE-UPPER REEL CHROME V2/08	L1050-760	28	GUARD-CHAIN ORANGE	L1010-705O
7	LEVER-CMPL LH INT OVRMOULD V2	L1050-865	29	SCREW TAPTITE M6X16 HEX HD ZP	L0108-030
8	CABLE RETAINER-THROTTLE CTRL	504150	30	DECAL-GENERAL SAFETY	L1070-233
9	NUT NYLOC ZP M8	FNLPL08	31	TAB-GRASS THROWER SC	L1010-190
10	BOSS-PIVOT LEVER ZP 51.5MM	L1050-711z	32	GRASS THROWER 400 SILVER	L1410-215
11	CABLE-CLUTCH ASSY 1620MM 2008	L1050-701	32	GRASS THROWER 400 PRIMARY GRN	L1410-220
12	NUT NYLOC ZP M6	FNLPL06	32	GRASS THROWER 400 RED	L1410-195R
13	THROTTLE CTRL 860MM T-BAR REEL	L1050-090	32	GRASS THROWER 400 RACING GREEN	L1410-205
14	BOLT ZP M6X55 ENG	FBOPL13	32	GRASS THROWER 400 ORANGE	L1410-210
15	LEVER-HANDLE LOCK ASSY 460/06	514005	32	GRASS THROWER 500 SILVER	L1510-215
16	COVER-SHAFT 400 SILVER	L1410-700S	32	GRASS THROWER 500 PRIMARY GRN	L1510-220
16	COVER-SHAFT 400 PRIMARY GREEN	L1410-700G	32	GRASS THROWER 500 RED	L1510-225
16	COVER-SHAFT 400 RED	L1410-700R	32	GRASS THROWER 500 RACING GREEN	L1510-205
16	COVER-SHAFT 400 RACING GREEN	L1410-700M	32	GRASS THROWER 660 SILVER	L1510-210
16	COVER-SHAFT 400 ORANGE	L1410-700O	32	GRASS THROWER 660 PRIMARY GRN	L1610-195S
16	COVER-SHAFT 500/660 SILVER	L1510-700S	32	GRASS THROWER 660 RED	L1610-195R
16	COVER-SHAFT 500/660 PRI GREEN	L1510-700G	32	GRASS THROWER 660 RACING GREEN	L1610-205
16	COVER-SHAFT 500/660 RED	L1510-700R	32	CATCHER 400 BLACK COMPLETE	L1465-260
16	COVER-SHAFT 500/660 RACING GRN	L1510-700M	33	CATCHER 500 BLACK COMPLETE	L1565-250
16	COVER-SHAFT 500/660 ORANGE	L1510-700O	33	CATCHER ASSY 660 BLACK	L1665-200B
18	SCREW ST SS PHD SQUA #6X1/2	FSCPL08	34	CAP-ELLIPTICAL HANDLE NO SLOTS	514025
19	BOLT ZP M6X12 SET SCREW	FBOPLO3	35	CAP-ELLIPTICAL HANDLE SLOTTED	L1050-180
20	WASHER SPRING ZP M6	FWAPL56	36	HANDLE-ELLIPTICAL CHROME 360MM	L1050-170
21	NUT ZP M6	FNUPL06	37	LATCH-RED	L1050-835
22	BOLT HT ZP M8X16 SET SCREW	FBOPL18	38	LEAF-SPRING LATCH	L1050-825
23	DECAL-RAZOR CUT SYSTEM	L1070-234	39	WASHERKEEPER SIDE PLATE	L1005-178
24	WASHER FLAT ZP M8X19X1.6	FWAPL08	40	COLLAR-RH PLAIN	L1050-810
25	BOLT HT ZP M8X35 SET SCREW	FBOPL35	41	COLLAR-LH LATCH	L1050-815
26	FRAME-400 W/A SILVER	L1405-710S	42	COVER-REAR PLATE EU BLK V2/08	L1050-795
26	FRAME-400 W/A PRIMARY GREEN	L1405-710G	43	INTERLOCK-LEVER	L1050-820
26	FRAME-400 W/A RED	L1405-710R	44	BASE-SP LEVER HOUSING V2/08	L1050-805
26	FRAME-400 W/A RACING GREEN	L1405-710M	45	COVER-LEVER HOUSING FRNT V2/08	L1050-800
26	FRAME-400 W/A ORANGE	L1405-710O	46	BOLT ZP M8X85 ENG	FBOPL82
26	FRAME-500 W/A SILVER	L1505-710S	47	COVER NUT PE BLK M8	L0135-034
26	FRAME-500 W/A PRIMARY GREEN	L1505-710G	48	SCREW TAPTITE M5X12 HEX HD ZP	L0108-027
26	FRAME-500 W/A RED	L1505-710R	49	SCREW ST SS PHD SQUA #6X1/2	FSCPL08
26	FRAME-500 W/A RACING GREEN	L1505-710M	50	WASHER FLAT ZP M4X11X0.9	FWAPL04
26	FRAME-500 W/A ORANGE	L1505-710O	51	RIVET AVEX 4.8MM 1.0-10.0	FRIPLO6
26	FRAME-660/C W/A SILVER	L1605-710S	52	GRIP-HANDLE PVC 340MM OVRMOULD	L1050-840
26	FRAME-660/C W/A PRIMARY GREEN	L1605-710G	53	DECAL-ROLLER DIRECTIONAL	L1070-201
26	FRAME-660/C W/A RED	L1605-710R	54	DECAL-REEL HANDLE ON/OFF	L1070-200

MODEL:TWIN DRIVE REEL MOWER (ALL MODELS) - DRIVE SYSTEM

v1 Aug.08





MODEL:TWIN DRIVE REEL MOWER (ALL MODELS) - DRIVE SYSTEM

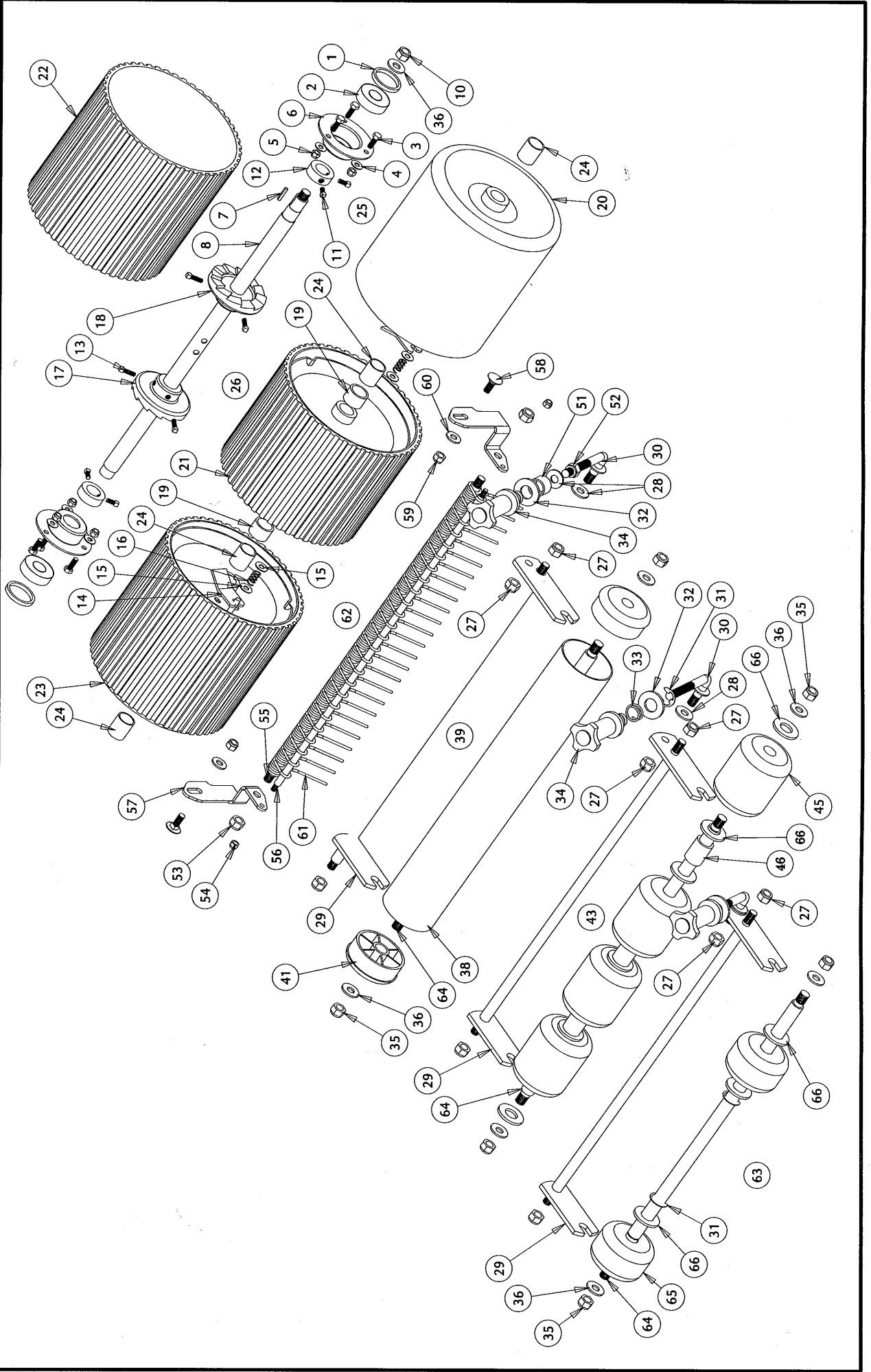
v1 Aug 08

ITEM	DESCRIPTION	PART No	ITEM	DESCRIPTION	PART No
2	KEY CENT CLUTCH KEY 3/16X1	L1015-385	41	CHAIN-3/8"35-1 53P ENDLESS	L1025-716
3	SCREW SKT HD SS 5/16X1/2 UNC	FSCPL55	42	SPROCKET-ROLLER 39T WA	L1020-753
4	COUPLING-INLINE 3/4"TYPE 095	L1015-700	43	BLADE BOTTOM 400 FLAT	L1440-295
4	COUPLING-INLINE 5/8"TYPE 095	L1015-705	43	BLADE BOTTOM 500 FLAT	L1540-295
5	BAR-DRIVE 400 3/4" BLACK	L1415-700B	43	BLADE BOTTOM 660 FLAT	L1640-295
5	BAR-DRIVE 400 5/8" BLACK	L1415-710B	43	BLADE BOTTOM GOLF SHAVER	L1740-295
5	BAR-DRIVE 500/660 3/4" BLACK	L1515-700B	44	SCREW/MC ZP CSK SLT 5/16X1/2	FSCPL41
5	BAR-DRIVE 500/660 5/8" BLACK	L1515-710B	45	BLADE BOTTOM ASSY 400 FLAT	L1440-460
6	BAR-DRIVE ASSY 400 3/4"	L1415-705	45	BLADE BOTTOM ASSY 500 FLAT	L1540-460
6	BAR-DRIVE ASSY 400 5/8"	L1415-715	45	BLADE BOTTOM ASSY 660 FLAT	L1640-460
6	BAR-DRIVE ASSY 500/660 3/4"	L1515-705	45	BLADE BOTTOM ASSY GOLF SHAVER	L1740-450
6	BAR-DRIVE ASSY 500/660 5/8"	L1515-715	46	BOLT HT ZP M8X20 SET SCREW	FBOPLO2
7	SPACER BEARING PLASTIC HDPE	L1060-120	47	SCREW TAPTITE M8X20 HEX HD ZP	L0108-039
8	BEARING 6203-2RS	FBRL080	48	CARRIER ASSY BOTTOM BLADE 400	L1440-390
9	HOUSING BEARING ROUND BLACK	L1060-145	48	CARRIER ASSY BOTTOM BLADE 500	L1540-390
10	NUT ZP M6	FNJPL06	48	CARRIER ASSY BOTTOM BLADE 660	L1640-390
11	WASHER SPRING ZP M6	FWAPL56	49	STUD CATCHER ZP	L1035-240
12	BOLT HT ZP M6X16 SET SCREW	FBOPLO1	50	WASHER FLAT ZP M8X19X1.6	FWAPLO8
13	SPROCKET-MOTOR 10T	L1020-741	51	NUT NYLOC ZP M8	FNJPL08
14	CHAIN-3/8"35-1 72P ENDLESS	L1025-725	52	CLUTCH & BEARING ASSY	L1020-731
15	CHAIN CONN LINK 3/8 ANSI 35	L1025-490	53	ADJ ASSY REEL SQUEEZED	L1035-290
16	CABLE-CLUTCH ASSY 1305MM PRE08	L1050-700	54	WASHER STARLOCK M6 PUSHON FIX	L0135-015
17	BRACKET-CABLE RETAIN W/A BLACK	L1020-785B	55	BEARING 6203 Z	FBRL070
18	BRACKET - CLUTCH REEL ZP	L1020-710Z	56	HOUSING REEL BEARING RH BLACK	L1035-215
19	PIN-6 X 45 LONG ZP	L1020-770Z	57	NIPPLE GREASE 1/4 SAE STRAIGHT	L1060-110
20	NUT NYLOC ZP M6	FNJPL06	58	BOLT REEL ADJ PIVOT ZP	L1035-230
21	SPRING CLUTCH ZP	L1220-395	59	WASHER REEL BRG HSNG 3/8 ZP	L1035-200
22	WASHER FLAT ZP M6X16X1.2	FWAPL06	60	NUT NYLOC ZP 3/8 UNF	FNJPL45
23	LEVER - CLUTCH ROLLER ZP	L1020-700Z	61	REEL ASSY COMPL 400 6 BLADE	L1435-400
24	NUT ZP M8	FNJPL08	61	REEL ASSY COMPL 500 6 BLADE	L1535-400
25	WASHER SPRING ZP M8	FWAPL58	61	REEL ASSY COMPL 660 6 BLADE	L1635-400
26	BRACKET - CLUTCH ROLLER ZP	L1020-705Z	61	REEL ASSY COMPL GOLF 10 BLADE	L1735-400
27	PLATE - CLUTCH MOUNT W/A	L1020-720	61	REEL ASSY COMPL 660 10 BLADE	L1135-400
28	BOLT ZP M8X20 CUP HD	FBOPL21	62	HOUSING REEL BEARING LH BLACK	L1035-205
29	PIN - CLUTCH THRUST	L1020-726	63	CHAIN CRANK LINK 3/8 ANSI 35	L1025-480
30	BLOCK - CLUTCH THRUST	L1020-725	64	CHAIN-3/8"35-1 67P ENDLESS	L1025-720
31	PLATE-CLAMP CLUTCH ASSY	L1020-765	65	BOSS-CHAIN TENSION	L1025-700
32	BEARING 6005-2RS	FBRL130	66	SPRING-TORSION REEL	L1025-705
33	LINING - CLUTCH 2MM	L1020-760	67	SHOE-CHAIN TENSION	L1025-710
34	WASHER FLAT SS M8X19X1.6	FWAPLO9	68	BOLT ZP M6X30 SET SCREW	FBOPLO9
35	BEARING 6003-2RS	FBRL120	69	SPROCKET-REEL 17T	L1020-755
36	CIRCLIP-INTERNAL 35MM	L0135-064	70	SPRING-DISC (BISELL)	L1020-762
37	CIRCLIP-EXTERNAL 17MM	L0135-063	71	PLATE-DRIVE	L1020-810
38	PLATE-CLUTCH ROLLER W/A	L1020-730	72	PIN ROLL M10 X 30	L1020-739
39	BEARING 6901-2RS1	FBRL110	73	SPROCKET-51T COMPLETE	L1020-744
40	BAR - CLUTCH CONTROL	L1020-715	74	SPROCKET-CLUTCH 66TEETH 2002	L1020-800



MODEL: TWIN DRIVE REEL MOWER (ALL MODELS) - ROLLER ASSEMBLY

v1 Aug 08





MODEL: TWIN DRIVE REEL MOWER (ALL MODELS) - ROLLER ASSEMBLY

v1 Aug 08

ITEM	DESCRIPTION	PART NO	ITEM	DESCRIPTION	PART NO
1	SPACER BEARING PLASTIC HDPE	L1060-120	33	SPRING FRONT ROLLER ADJUSTER	L1045-220
2	BEARING 6203-2RS	FBRL080	34	HANDWHEEL FRONT ROLLER ADJ	L1045-240
2	BEARING 6203 Z	FBRL070	35	NUT NYLOC ZP M12	FNLPL12
3	BOLT HT ZP M6X16 SET SCREW	FBOPLO1	36	WASHER FLAT ZP M12X25X1.6	FWAPL12
4	WASHER SPRING ZP M6	FWAPL56			
5	NUT ZP M6	FNUPL06	38	TUBE-RLR FRONT STEEL 400 ZP V2	L1445-408z
6	HOUSING BEARING ROUND BLACK	L1060-145	38	TUBE-RLR FRONT STEEL 500 ZP V2	L1545-408z
7	KEY BACK ROLLER DRIVE 1/8X3/8	L1030-170	38	TUBE-RLR FRONT STEEL 660 ZP V2	L1645-408z
8	SHAFT BACK ROLLER DRILLED 400	L1430-350	39	ROLLER FRONT ASSY-400 STEEL V2	L1445-425
8	SHAFT BACK ROLLER DRILLED 500	L1530-350	39	ROLLER FRONT ASSY-500 STEEL V2	L1545-425
8	SHAFT BACK ROLLER DRILLED 660	L1630-350	39	ROLLER FRONT ASSY-660 STEEL V2	L1645-425
10	NUT ZP HALF M12	L0110-013	41	CAP-END STEEL FRONT ROLLER	L1045-315
11	SCREW SQHD CUP POINT 5/16X3/8	L0107-040	42		
12	COLLAR LOCKING BACK ROLLER ZP	L1030-230	43	ROLLER FRONT ASSY-400 WOOD V2	L1445-430
13	SCREW SQHD CUP POINT 5/16X5/8	L0107-041	43	ROLLER FRONT ASSY-500 WOOD V2	L1545-430
14	PAWL HEAT TREAT BACK ROLLER	L1030-290	43	ROLLER FRONT ASSY-660 WOOD V2	L1645-430
15	WASHER FLAT ZP 1/4x5/8x18G	L0115-040			
16	SPRING PAWL BACK ROLLER	L1030-270	45	ROLLER WOOD 82MM STAINED	L1045-390
17	PATCHET BACK ROLLER RH COMPL	L1030-250	46	SPACER-FRNT ROLLER 400 7444480B	L1445-385
18	PATCHET BACK ROLLER LH COMPL	L1030-245	46	SPACER-FRNT ROLLER 500 7444400B	L1545-385
19	BACK ROLLER SPACING TUBE 660	L1630-200	46	SPACER-FRNT ROLLER 660 7416000B	L1645-385
20	DRUM BR ASSY 400 BLACK	L1430-330			
20	DRUM BR ASSY GOLF BLACK	L1730-330	51	SPACER HANDWHEEL ROLLER ZP	L1745-215
20	DRUM BR ASSY 500/660 BLACK	L1530-330	52	NUT ZP M10	FNUPL10
21	DRUM CENTRE BR ASSY 660 BLACK	L1630-305	53	NUT NYLOC ZP THIN 3/8 UNF	L0111-046
22	SLEEVE RUBBER BACK ROLLER	L1230-180	54	NUT NYLOC ZP M6	FNLPL06
23	DRUM ASSY 400 RUBBER B/R	L1230-302	55	SHAFT TURF RAKE 1/2 660 ZP	L1145-130
23	DRUM ASSY 500/660 RUBBER B/R	L1230-320	55	SHAFT TURF RAKE 1/2 GOLF ZP	L1745-130
23	DRUM ASSY 660 CTR RUBBER B/R	L1230-305	56	SHAFT TURF RAKE 5/16 660 ZP	L1145-140
24	BACK ROLLER BRONZE BUSH GOLF	L1730-190	56	SHAFT TURF RAKE 5/16 GOLF ZP	L1745-140
25	ROLLER BACK ASSY+BRGS 400	L1430-450	57	BRACKET-TURF RAKE RH ZP V2	L1745-108z
25	ROLLER BACK ASSY+BRGS 500	L1530-450	58	BOLT ZP M8X20 CUP HD	FBOPL21
25	ROLLER BACK ASSY+BRGS 660	L1630-450	59	NUT NYLOC ZP M8	FNLPL08
25	ROLLER BACK ASSY+BRGS GOLF	L1730-450	60	WASHER FLAT ZP M8X19X1.6	FWAPL08
26	ROLLER BACK ASSY RUBBER 400	L1230-360	61	TINE-TURF RAKE V2	L1745-120
26	ROLLER BACK ASSY RUBBER 500	L1230-395	62	TURF RAKE ASSY 660 V2	L1645-150
26	ROLLER BACK ASSY RUBBER 660	L1230-400	62	TURF RAKE ASSY 500 V2	L1545-150
27	NUT NYLOC ZP M10	FNLPL10	63	ROLLER FRONT ASSY-400 EU KIT	L1445-305
28	WASHER FLAT ZP M10X21X1.6	FWAPL10	63	ROLLER FRONT ASSY-500 EU KIT	L1545-305
29	ROLLER FRNT BRKT W/A 500 ZP V2	L1545-310	63	ROLLER FRONT ASSY-660 EU KIT	L1645-305
29	ROLLER FRNT BRKT W/A 400 ZP V2	L1445-310	64	SHAFT FRONT ROLLER 400 ZP	L1445-395
29	ROLLER FRNT BRKT W/A 660 ZP V2	L1645-310	64	SHAFT FRONT ROLLER 500 ZP	L1545-395
30	STUD FRONT ROLLER ADJ CHROME	L1045-230	64	SHAFT FRONT ROLLER 660 ZP	L1645-395
31	E CLIP 5/8"	L0135-025	65	ROLLER WOOD 45MM STAINED	L1045-385
32	WASHER FLAT ZP M16x25x1.6	L0115-016	66	WASHER FLAT ZP M16X34X2.5	L0115-056