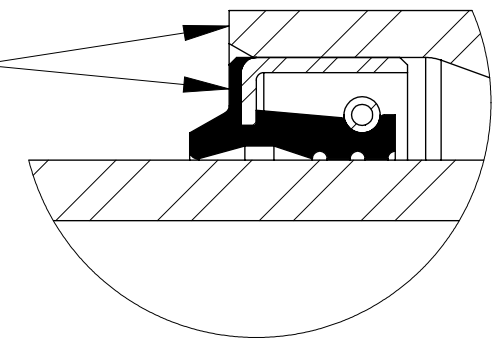


FLUSH (Wiper Seal)

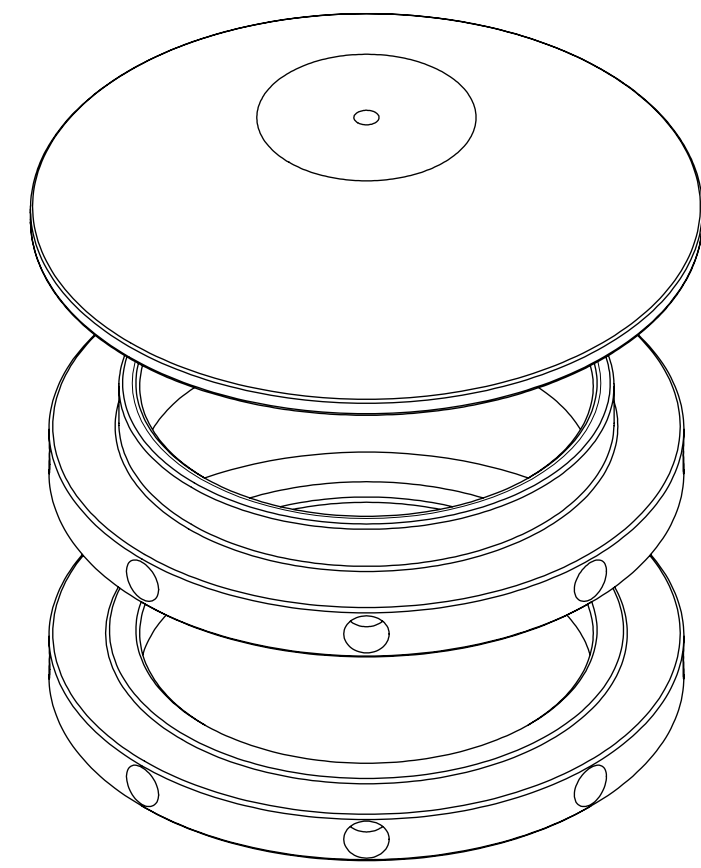


120mm (Lower Grease Seal)
100mm (Lower Sleeve Bearing)

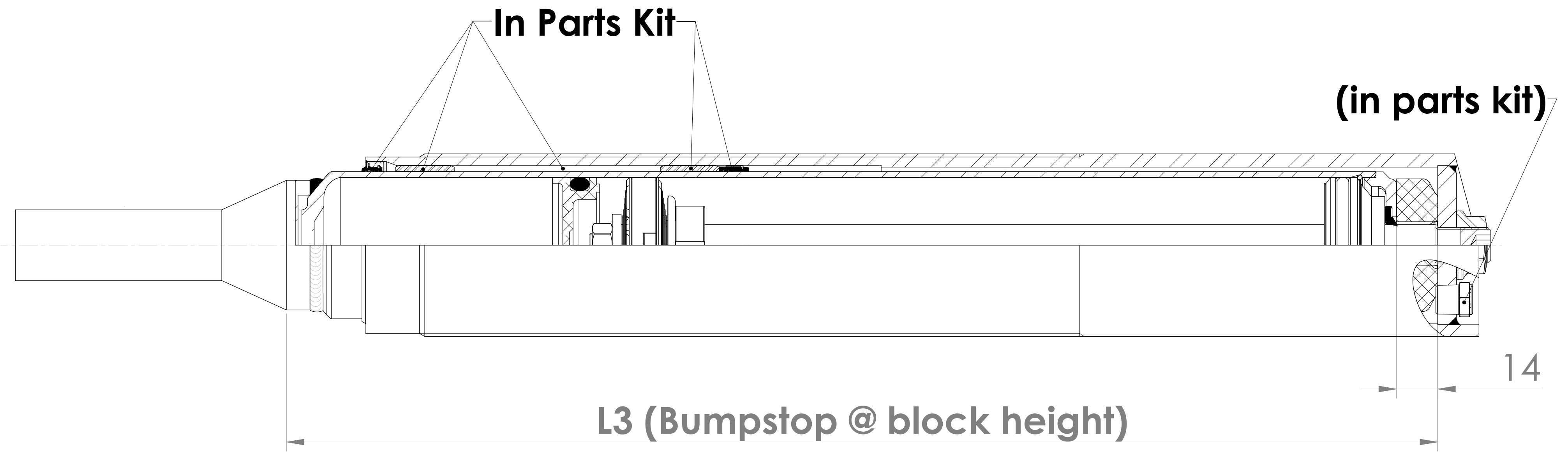
10mm (Upper Sleeve Bearing)



Spring Hardware Kit



In Parts Kit



KIT NUMBER	L1	L2	L3	T
35-212829 35-212867 35-212904 35-214373	378 (14.9")	602 ± 3 (23.7")	391 ± 3 (15.9")	225 (8.9")
35-212812 35-212850 35-212898 35-214366	353 (13.9")	552 ± 3 (21.7")	366 ± 3 (14.9")	200 (7.9")
35-212805 35-212843 35-212881 35-214359	328 (12.9")	500 ± 3 (19.7")	341 ± 3 (13.4")	175 (6.9")
35-212799 35-212836 35-212874 35-214342	303 (11.9")	450 ± 3 (17.7")	316 ± 3 (12.4")	150 (5.9")