

LIBERTA



AKATO MEDIA

INSTALLATION MANUAL



Model #

AKT4830D

THANK YOU

We can assure you that has used the best materials and has applied the strictest quality control measures to ensure that each and every unit meets the highest quality standards. This booklet contains general information about the unit as well as step-by-step installation instructions.

BEFORE YOU BEGIN / SAFETY INSTRUCTIONS

- Carefully read the instructions before beginning the installation.
- **DANGER! To avoid the risk of electrocution, please turn off the electricity mains before commencing the installation.**
- It is strongly recommended that this installation be performed by a professional electrician.
- It is recommended that you wear safety glasses at all times during the installation.
- A minimum of two people are needed to perform this installation
- This product is wall mounted only
- Respect all local electric and building codes.
- Make sure you have all the tools and materials needed for installation.
- Do not switch on the electrical supply at the mains before the end of the installation.
- Fitting in Bathrooms is subject to all regulations.
- It is not suitable for product installations in Saunas, Steam Rooms, or shower cubicles, and it is recommended for permanent installation.

CLEANING & MAINTANANCE

To avoid damage and optimize your product, you must follow the recommendations mentioned below with maintaining your Liberta product. Damages resulting from inappropriate handling are not covered by the Liberta warranty.

- An occasional wiping down with a mild soap diluted in water is all that is needed to keep the mirror and aluminum parts looking new
- It is recommended that the unit is cleaned with a soft, dry, non-abrasive cloth when turned off.
Never use cleaning agents or abrasive material on any type of surface finish.
- Do not use anything abrasive such as a scouring brush or sponge to clean the surfaces. For tough stains, use a liquid detergent. Do not use an abrasive and acidic cleaner.
- Carefully read the label on the cleaning product to make sure it is safe and appropriate. Always try the cleaning solution on a less visible surface before applying it to the entire surface.
- Regular cleaning prevents the accumulation of dirt and tough stains

INSTALLATION

Below are general installation instructions for the LIBERTA LED mirrors. ***It is highly recommended that installation is done by a licensed technician.***

110/120v CONNECTION

1. Decide on wall positional placement.
2. Prepare & install wall hooks measured to distance between mirror's anchors.
3. Attach the 110/120v wire from mirror to home electrical wires. Connections feature includes two wires, both of which are compatible with either live or neutral connections.
4. Additional wire is for radio connection.

MIRROR FUNCTION

Liberta Akato Media comes with 2 premium speakers for great sound inside your home. With bluetooth and radio function for listening.



Navigation



Edit modes



Change
between
Modes



Edit
Date + Time



Turn light
on / off

BLUETOOTH PAIRING





Cycle between 3 modes.

1. Bluetooth - blinking (l - bt)
2. Radio Setting
3. Date & Time Setting

To pair bluetooth device, select Bluetooth mode by cycling through the modes. From your device open bluetooth and pair with - **K3015C**

VOLUME CONTROLS

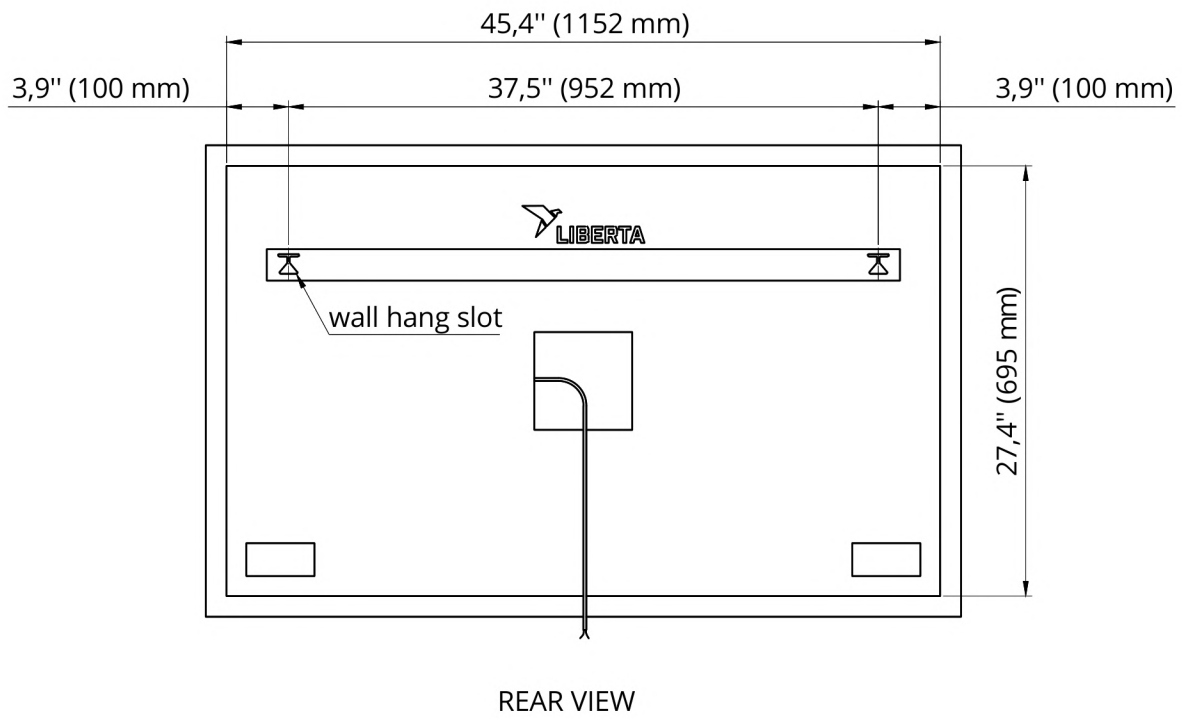
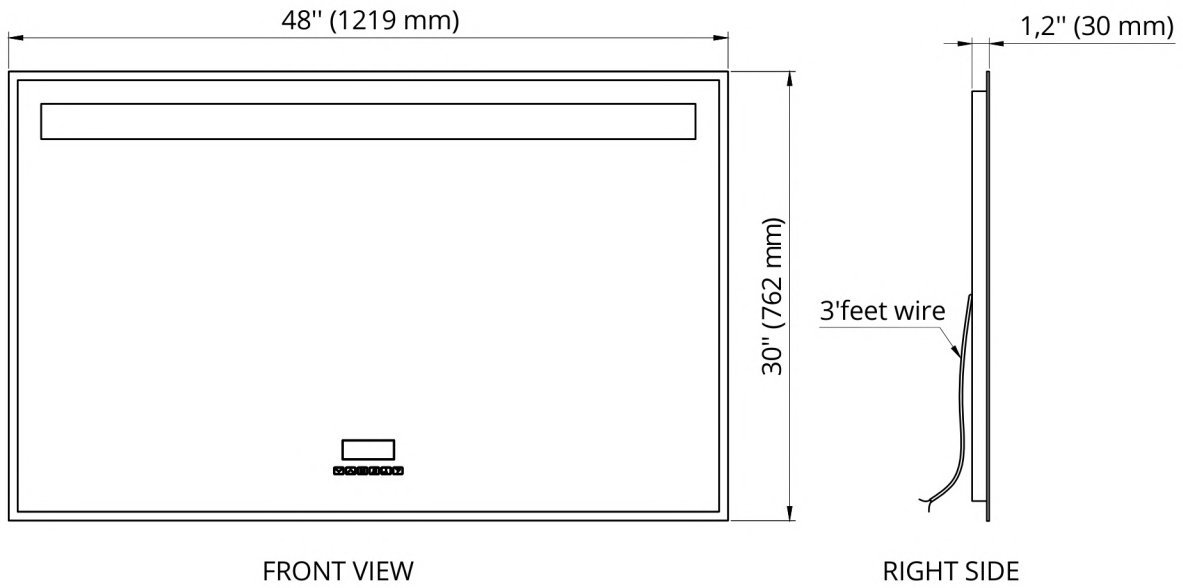
Press  and number icon will start blinking on the display. Use the navigation buttons to increase or decrease volume of the speakers.  Select your desired volume from 1 - 20.

CHANGE DATE + TIME + TEMPERATURE

Press  until changed to the Date & Time setting. Press and hold until  beep to enter edit mode

Use  to change inputs. Press  to change between editing inputs.

SPECIFICATIONS



Tolerance on dimensions +- 1/4"

WARRANTY

Deki Home Inc offers a 5 years limited warranty on Liberta mirror. This warranty extends only to the original owner/end-user for personal household use and is effective as of the date of purchase.

The warranty is not transferable to subsequent owners. Additional limitations may apply for commercial use. Deki Home Inc commits to ensuring the Liberta mirrors are devoid of imperfections in material and craftsmanship for standard home use while the original purchaser resides in their home. Should a flaw be identified under these conditions, Deki Home Inc, at its discretion, may decide to repair or supply a replacement.

The 5-year warranty safeguards all electronic elements, inclusive of the LED, control mechanisms, and the anti-fog feature (where relevant). The Liberta mirrors must be installed by a qualified installer. The electrical connections must be installed by a qualified electrician and operated according to applicable codes.

The warranty does not cover damages primarily or partially due to misuse, exceeding advised temperature limits, undue moisture exposure, unstable voltage situations, unclean power sources, mishandling, accidents, incorrect mounting, lax maintenance, or abrasive cleansers' application. Any unwarranted modifications or tampering nullifies the warranty.

Deki Home Inc, in association with Liberta, will not bear costs related to labor, mounting, or other consequential expenses. At no point will Deki Home Inc's accountability surpass the expense incurred by the initial buyer, contractor, or developer for the mirror.

In a commercial context, on top of the aforementioned conditions, items designated for commercial deployment or utilized in business settings are only warranted for a duration of (1) one year from the original acquisition date by the purchaser, contractor, or developer from an approved distributor.

If the product is sold by Deki Home Inc. as a display item, a one (1) year warranty applies. **Warranty service** If you wish to make a claim under this warranty, you may contact Deki Home Inc. through your Dealer or directly at 877-511-8999 or again by writing to: info@dekihome.com or to: Deki Home, Attn: Customer Service Dept., Unit 217, 7250 Keele St Concord, ON L4K 1Z8, Canada. Be sure to provide all pertinent information related to your claim, including a complete description of the problem you are experiencing, the product name, product model number, finish and finally the date and the location where the product was purchased.

Also include the product's serial number or original receipt. This is the exclusive written warranty of Deki Home Inc.