

Owner's Manual

Parts Manual



READ THIS MANUAL CAREFULLY,
IT CONTAINS IMPORTANT SAFETY INFORMATION.

SS250 / GTS250

Dune Buggy

MINIMUM
RECOMMENDED
OPERATOR AGE: **16**



FOR OFF-ROAD USE ONLY

This vehicle is designed and manufactured for off-road use only.

USA only:

It does not conform to Federal Motor Vehicle Safety Standards, and in regards to operation on public streets, roads, or highways is illegal.

Hammerhead Off-Road Warranty Policy

Limited Warranty for Dune Buggies Only

Should warranty service be required on your unit during the warranty period, please contact your nearest authorized dealer for repairs.

IMPORTANT!

ALL UNITS MUST BE REGISTERED WITHIN 14 DAYS OF PURCHASE OR WARRANTY IS VOID. To register your product a copy of the Warranty Registration Card, Buyer Safety Agreement, and sales receipt must be forwarded to Hammerhead Off-Road. Your dealer, with your assistance, will complete and forward these items to Hammerhead Off-Road. A copy of the Warranty Registration Card and Buyer Safety Agreement is attached. It is your responsibility to confirm with your dealer within 14 days of purchase that your product has been registered. If you are unable to confirm with your dealer within 14 days of purchase that your product has been registered please contact Hammerhead Off-Road within 14 days of purchase or your warranty will be void.

GENERAL WARRANTY POLICY

Labor Warranty is covered for the first 90 days (THREE MONTHS) from the end consumer's date of purchase. Most parts covered under your warranty, except for the frame and engine, are covered for 30 or 90 days. Not all parts are covered. Contact your dealer for details or questions about a specific part. Warranty Parts are covered according to the schedule below from the end consumer's date of purchase. **All warranty paperwork must be received within 14 days of repair.**

WARRANTY PARTS COVERAGE

Warranty starts from the date of purchase by end consumer:

FRAME:	1 year
ENGINE:	180 days
CARBURETOR:	90 days
MUFFLER:	90 days
A-ARM, SPINDLES, AXLES:	90 days
ELECTRONICS:	90 days
BATTERY:	30 days
SPEAKERS:	30 days
SPEEDOMETER:	30 days
TIRES & WHEELS:	30 days
FENDERS:	30 days
BRAKES:	30 days
CLUTCH:	30 days
SEATS:	30 days

WHAT PARTS ARE NOT COVERED?

GENERAL EXCLUSION: The warranty does not cover consumable and normal wear and tear items such as, but not limited to, throttle cables, brake cables, chains, bikini tops, fasteners, air filters, brake pads, tires, oil changes, and/or problems occurring due to a lack of scheduled maintenance or consumer abuse. Modification to the vehicle, including the use of performance parts or non-original parts, will void the warranty in its entirety, unless express written approval stating that the warranty will not be voided is obtained from Hammerhead. Defective parts are

subject to recall by Hammerhead Off-Road upon failure and are required to be held by the dealer for 30 days from the time of the initial repair date.

The warranty does not cover damage or faults caused by misuse, negligence, alterations, accidents or any abnormal use including the use of non genuine parts, renting or leasing, competition or racing. This warranty does not cover loss of use of the unit or loss of time, or inconvenience.

NOTICE: All warranties are voided if the vehicle has been altered for use in racing or competition, rented, used under abnormal conditions, or subject to abuse, misuse, neglect or improper maintenance. Hammerhead Off-Road is not liable for any damage claim or liability claim, personal or otherwise resulting from operation of the vehicle in any way. All warranty parts will be shipped using UPS or Fed Ex ground ONLY. If the warranty part needs to be shipped 2nd day air or shipped overnight, the ordering dealership will be responsible for all shipping fees.

NOTICE: Hammerhead Off-Road reserves the right to change product specifications, designs, and standard equipment without notice and without incurring obligation. These vehicles are not designed or manufactured for racing or use on rental tracks, public streets, public roads, highways, paved surfaces, or right-of-ways. Always wear an approved helmet and eye protection when riding. Always secure loose clothing and long hair. Always utilize seatbelts. Please read the operators manual before usage and go over the Buyer Safety Agreement.

FAQ's:

1. FOR WHAT REASONS CAN MY WARRANTY CLAIM BE DISPUTED OR DENIED?

Warranty can be denied because of an out of warranty date, the unit was not a Hammerhead Off-Road unit or the Warranty Registration Card was not submitted to Hammerhead Off-Road within 14 days of purchase. The warranty does not apply to any part, which in opinion of seller was defective because of improper maintenance, improper assembly, alterations, abuse, negligence, or accident. The warranty does not cover loss of use of the seller vehicle, loss of time, inconvenience, or any other consequential damage which includes, but is not limited to, loss or damage to person or property or any expense of returning any damaged units to the seller, distributor, or its authorized dealer. Also, see above.

2. DOES HAMMERHEAD OFF-ROAD OFFER AN EXTENDED WARRANTY?

No, Hammerhead Off-Road does not offer any type of extended warranty.

3. IS MY KART STILL UNDER WARRANTY IF I HAVE OWNED IT FOR 1 YEAR BUT PUT ONLY 6 HOURS OF DRIVING TIME ON IT?

Warranty is based on the exact date of purchase, not based on how many hours it has been used.



Hammerhead Off-Road Warranty Registration Form

Registration Terms & Conditions:

In order to activate the warranty, please follow the instructions below:

- 1) Make a copy of the Bill of Sale
- 2) Make a copy of Pre-Delivery Checklist
- 3) Make a copy of Buyer-Safety Agreement
- 4) Fill out warranty card and send with all above documents to:

Hammerhead Off-Road

Attn: Warranty Registration
1200 Lakeside Parkway Ste. 325
Flower Mound, TX 75028

Or, Fax to 214-513-1738

Or, ON-LINE at www.hammerheadoffroad.com under dealer's only section

Hammerhead Off-Road Warranty Registration Card	
(Must be sent in with a copy of sales receipt and Buyers Safety Agreement)	
VIN# _____	Model: _____
Dealer Name: _____	
Dealer Address: _____	
City: _____	State: _____ Zip: _____
Customer Name: _____	
Customer Address: _____	
Customer City: _____	State: _____
Customer Phone: _____	Email: _____
Date of Purchase: _____	
I Certify that all information provided is true and correct to the best of my knowledge. I understand the exceptions and limitations of the warranty coverage.	
Customer Signature: _____	Date: _____

Hammerhead Buyers Safety Agreement (1/2)

- _____ Always read the owner's manual carefully before riding and follow the operating procedures described in the owner's manual.
- _____ Pay close attention to all warnings contained in the manual and on all labels.
- _____ These vehicles are designed for riders of ages 5 through 8 for 50cc, 9 through 15 for 80cc, 16 and older for 150cc, 18 and older for 250cc, 400cc, 500cc.
- _____ Both the parent and the child must fully understand everything in the owners manual before riding.
- _____ Always wear a helmet, face shield, boots, gloves, and protective clothing while riding.
- _____ Beginners should receive training from a certified instructor.
- _____ It is illegal to ride this vehicle on public roads or highways.
- _____ Do not allow your child to ride without supervision.
- _____ Do not ride under the influence of drugs or alcohol. They can affect your judgment and slow your reaction time.
- _____ Always maintain a safe distance between your vehicle and vehicles around you.
- _____ Never ride this vehicle unless it has been properly adjusted and maintained.
- _____ Never run the engine in closed areas. The exhaust gas contains poisonous carbon monoxide.
- _____ Do not touch any part of the engine, muffler, or the exhaust system during or immediately after operation of the vehicle.
- _____ Always check for obstacles before operating in a new area.
- _____ It is highly recommended that this vehicle should not be driven at night or during dark periods
- _____ Never attempt to operate over large obstacles, such as large rocks, or fallen trees.
Always follow proper procedures when operating over obstacles as described in this manual.

Hammerhead Buyers Safety Agreement (2/2)

- _____ Always be careful when skidding or sliding. On extremely slippery surfaces such as ice, go slow and be very cautious in order to reduce the chance of skidding or sliding out of control.
- _____ Never do wheelies, jumps or any stunts.
- _____ Never operate the vehicle in fast flowing water. Remember that wet brakes may reduce your stopping ability. Test your brakes after leaving the water. If necessary, apply those several times to let friction dry out the linings.
- _____ Always use the size and type of tires specified in this manual. Always maintain proper tire pressure as described in this manual.
- _____ All modifications to this vehicle should be made by a qualified mechanic. Modification to the vehicle, including the use of performance parts or non-original parts, will void the warranty in its entirety, unless express written approval stating that the warranty will not be voided is obtained from Hammerhead.
- _____ When transporting the machine in another vehicle, be sure that it is kept upright and that the fuel cock is in the "off" position. Otherwise, fuel may leak out of the carburetor or the fuel tank.
- _____ Always follow the break-in-period as described in the owner's manual. Not following the break-in period will void the engine warranty.
- _____ Always clean the air filter as described in the owner's manual. Improper maintenance of the air filter will void the engine warranty.

Failure to follow all warnings and unsupervised or irresponsible operation can cause serious injury or death. **By initialing each item on the above checklist, I have indicated my complete understanding of these points, and I acknowledge my responsibilities regarding the contents. I also agree to explain the points on this checklist to anyone besides myself who will be operating the vehicle now and/or in the future.**

Dealer's Signature

Buyer's Signature

Print Store Name

Print Buyer's Name

Date

Date

VIN Number

Model

OWNER'S MANUAL

	Page
1.FOREWORD	1
2.A FEW WORDS ABOUT SAFETY	2
3.IMPORTANT SAFETY INFORMATION	3
4.SAFETY LABELS	5
5.ARE YOU READY TO DRIVE?	6
6.IS YOUR VEHICLE READY TO DRIVE?	7
7.SAFE DRIVING PRECAUTIONS	8
8 P.D.I.	10
9.SPECIFICATIONS	11
10.OPERATION	13
11.SERVICE INSTRUCTIONS	17
12.REPAIR	20
13.PERIODICAL CHECK AND SERVICES	23
14.WIRING DIAGRAM	23

PARTS MANUAL

	Fig
1.CYLINDER COMP.	Fig.1
2.CYLINDER COVER ASSY.(1)	Fig.2
3.CYLINDER COVER ASSY.(2)	Fig.3
4.CRANKCASE ASSY.	Fig.4
5.RIGHT SIDE COVER ASSY.	Fig.5
6.CRANKSHAFT CON'ROD &PISTON ASSY.	Fig.6
7.VALVE TRANNY ASSY.(1)	Fig.7
8.VALVE TRANNY ASSY.(2)	Fig.8
9.LEFT SIDE COVER ASSY.	Fig.9
10.WATER PUMP ASSY.	Fig.10
11.CARBURETOR COMP.	Fig.11
12.OIL PUMP ASSY.	Fig.12
13.CLUTCH ASSY.	Fig.13
14.ELECTRIC STARTER ASSY.	Fig.14
15.REDUCTION BOX ASSY.	Fig.15
16.GEAR BOX ASSY.	Fig.16
17.MAGNETO COMP.	Fig.17
18.GEAR BOX COVER ASSY(172MM-B)	Fig.18
19.GEAR BOX COVER ASSY(172MM-C)	Fig.19
20.REDUCTION BOX ASSY.	Fig.20
21.GEAR SHIEFTING SYS.	Fig.21
22.FRAME GROUP.	Fig.22
23.STEERING SHAFT ASSY.	Fig.23
24.FRONT SUSPENSION ARM ASSY.	Fig.24
25.FULL SHIFTING ASSY.	Fig.25
26.REAR CARGO RACK/SEAT/BELT	Fig.26
27.AIR CLEANER/RADIATOR/BATTERY/MUFFLER ASSY.	Fig.27
28.REAR SUSPENSION ASSY.	Fig.28
29.WIRE HARNESS/ELECTRICAL	Fig.29
30.WARNING STICKERS.	Fig.30

FOREWORD

Thank you for purchasing our kart. We hope you will enjoy it. Before you start to operate the kart, please read through this Owner's Manual carefully as it contains important safety and maintenance information. Failure to follow the warnings contained in this manual can result in serious injuries or death.

Be sure to follow the recommended maintenance schedule and service your kart accordingly. Preventive maintenance is extremely important to the longevity of your kart.

Beginners should seek instruction from their dealer or qualified instructors before and during initial use of the kart. It is also recommended to practice in a large flat open area to familiarise yourself with operations of this kart.

We hope you will have a pleasant experience with our products and thank you again for choosing our kart.

A FEW WORDS ABOUT SAFETY


In order to keep everyone safe, you must take responsibility for the safe operation of your kart.

To help you make informed decisions about safety, we have provided operating procedures and other information on labels and in this manual. This information alerts you to potential hazards that could hurt you or others.

It is not practical or possible to warn you about all hazards associated with operating or maintaining a kart. You must use your own good judgment.

You will find important safety information in a variety of forms, including:

Safety Labels—On the Kart.

Safety Messages—Preceded by a safety alert symbol  and one of two signal words: **WARNING**, or **CAUTION**.

These signal words mean:



Physical harm may result from failure to adhere to the instructions that are described within the **WARNING** labels.

Safety Headings—such as Important Safety Reminders or Important Safety Precautions.

Safety Section—such as kart safety.

Instructions—how to use this kart correctly and safely.

This entire manual is filled with important safety information—please read it all carefully.

IMPORTANT SAFETY INFORMATION

Your kart will provide you with many years of use and pleasure. Providing you take responsibility for your own safety and that of any one else using your kart or near to the kart when it is being used and understand the challenges you can meet while driving.

There is much that you can do to protect yourself while operating your kart. You will find many helpful recommendations throughout this manual. The following are a few that we consider to be the most important.

Follow the Age Recommendation

The kart should not be driven by anyone under the age of 16.

Always Wear a Helmet

It's a proven fact: helmets significantly reduce the number and severity of head injuries. Always wear an approved motorcycle helmet. We also recommend that you wear eye protection, sturdy boots, gloves, and other protective gear.

Drive Off-Road Only

Your kart is designed and manufactured for off-road use only. The tires are not made for use on pavements, and the kart does not have turn signals and other features required for use on public roads. If you need to cross a paved or public road, get off and walk your kart across.

Take Time to Learn & Practice

Even if you have driven other karts, take time to become familiar with how this kart works and handles. Practice in a safe area until you build your skills and get accustomed to this kart's size and weight.

Because many accidents involve inexperienced or untrained drivers, we urge all drivers to take a training course. Check with your dealer for more information on training courses.

Be Alert for Off-Road Hazards

The terrain can present a variety of challenges when you drive off-road. Continually "read" the terrain for unexpected turns, drop-offs, rocks, ruts, and other hazards. Always keep your speed low enough to allow time to see and react to hazards.

IMPORTANT SAFETY INFORMATION

Drive within Your Limits

Pushing limits is another major cause of kart accidents. Never drive beyond your personal abilities or faster than conditions warrant. Remember that alcohol, drugs, fatigue, and inattention can significantly reduce your ability to make good judgments and drive safely.

Don't Drink and drive

Alcohol and driving don't mix. Even one drink can reduce your ability to respond to changing conditions, and your reaction time gets worse with every additional drink. So don't drink and drive, and don't let your friends drink and drive either.

Do not operate this Kart at night.

Operating in the dark vision can greatly reduce a driver's visibility and judgment. So driving at night is dangerous and can increase the possibility for an accident.

Never run your Kart indoors.

The exhaust from the engine contains a tasteless, odorless and poisonous gas called carbon monoxide.

Keep away from moving parts of the Kart

The operator of the kart should never place their hands or other parts of their body near any moving part of the Kart. Failure to adhere to this warning will cause physical harm to your body.

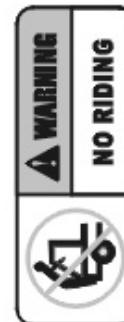
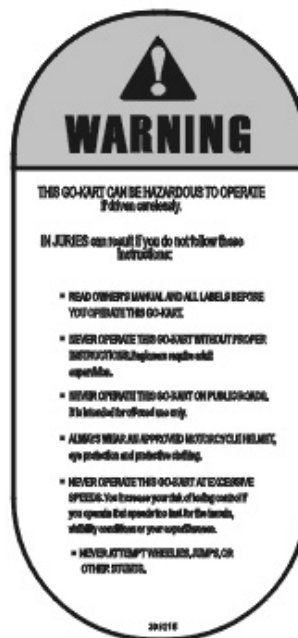
Skidding or Sliding

The terrain surface can be a major factor affecting turns. Skidding in a turn is more likely to occur on slippery surfaces such as snow, ice, mud and loose gravel. If you skid on ice, you may lose all directional control. To avoid skidding on slippery terrain, keep your speed low and drive carefully.

SAFETY LABELS

This section presents some of the most important information and recommendations to help you drive your kart safely. Please take a few moments to read these pages.

The labels should be considered permanent parts of the kart. If a label comes off or becomes hard to read, contact your dealer for a replacement.



ARE YOU READY TO DRIVE?

Before each drive, you need to make sure that you and your kart are both ready to drive. To help get you prepared, this section discusses how to evaluate your driving readiness, what items you should check on your kart, and adjustments to make for your comfort, convenience, or safety.

Before you drive your kart for the first time, we urge you to:

- Read this owner's manual and the labels on your kart carefully.
- Make sure you understand all the safety messages.
- Know how to operate all the controls.

Before each drive, be sure:

- You wear your seat belt at all times while driving your kart.
- You feel well and are in good physical and mental condition.
- You are wearing an approved motorcycle helmet (with chin strap tightened securely), eye protection, and other protective clothing.
- You don't have any alcohol or drugs in your system.

Protective Clothing

For your safety, we strongly recommend that you always wear an D.O.T. approved motorcycle helmet, eye protection, boots, gloves, long pants, and long-sleeved shirt or jacket whenever you drive.

Although complete protection is not possible, wearing proper gear can reduce the chance of injury should you have an accident.

The following suggestions will help you choose the proper protective gear.

Helmets and Eyes Protection

Your helmet is your most important piece of protective gear because it offers the best protection against head injuries. A helmet should fit your head comfortably and securely.

An open-face helmet offers some protection, but a full-face helmet offers more. Regardless of the style, look for a D.O.T. (Department of Transportation) sticker on any helmet you buy. Always wear a face shield or goggles to protect your eyes and help your vision.



WARNING

Operating this kart without wearing an approved motorcycle helmet, eye protection, and protective clothing could increase your chances of head and/or eye injury, and the possibility of death in the event of a severe accident.

Always wear an approved motorcycle helmet that fits properly and wear eye protection (goggles or face shield), gloves, boots, long-sleeved shirt or jacket and long pants.

ARE YOU READY TO DRIVE?

Additional Driving Gear

In addition to a helmet and eye protection, we also recommend:

- Sturdy off-road motorcycle boots to help protect your feet, ankles, and lower legs.
- Off-road motorcycle gloves to help protect your hands.
- Driving pants with knee and hip pads, a driving jersey with padded elbows, and a chest/shoulder protector.

Driver Training

Developing your driving skill is an on-going process. Even if you have driven other karts, before take time to become familiar with how this kart works and handles. Practice driving the kart in a safe area to develop your skills. Do not drive on rough terrain until you get accustomed to the kart's controls, and feel comfortable with its size and weight.



WARNING

Operating this kart without your seat belt could cause you to be thrown from the kart, causing serious injury or death.

No Alcohol or Drugs

Alcohol, drugs and karts don't mix. Even a small amount of alcohol can impair your ability to operate a kart safely. Likewise, drugs—even if prescribed by a physician—can be dangerous while operating a kart. Consult your doctor to be sure it is safe to operate a vehicle after taking medication.



WARNING

Operating this kart after consuming alcohol or drugs can seriously affect your judgment, cause you to react more slowly, affect your balance and perception, and could result in serious injury or death.

Never consume alcohol or drugs before or while operating this kart.

IS YOUR VEHICLE READY TO DRIVE?

Before each drive, it is important to inspect your kart and make sure any problems you find are corrected. A pre-drive inspection is a must, not only for safety, but because having a breakdown, or even a flat tire, can be a major inconvenience.

If your kart has overturned or has been involved in a collision, do not drive it until your kart has been inspected by your dealer. There may be damage or other problems that you can not see.



WARNING

Improperly maintaining this kart or failing to correct a problem before driving can cause a crash in which you can be seriously hurt or killed.

Always perform a pre-drive inspection before every drive and correct any problems.

Pre-Drive Inspection

Always carry out the Pre-Drive Inspection detailed on Page 16 before getting in your kart.

SAFE DRIVING PRECAUTIONS

Off-Road Use Only

Your kart and its tires are designed and manufactured for off-road use only, not for use on paved surfaces. Driving on paved surfaces can affect the kart handling and control. You should not drive your kart on paved surfaces.



WARNING

Operating this kart on paved surfaces may seriously affect handling and control of the kart, and may cause the vehicle to go out of control.

Never operate the kart on any paved surfaces, including pavements, driveways, car parks and streets.

When driving off-road, also remember to always obey local off-road driving laws and regulations. Obtain permission to drive on private property. Avoid posted areas and obey "no trespassing" signs.

You should never drive your kart on public streets, roads or highways, even if they are not paved. Drivers of street vehicles may have difficulty seeing and avoiding you, which could lead to a collision. In many states it is illegal to operate karts on public streets, roads and highways.



WARNING

Operating this kart on public streets, roads or highways could cause a collision with another vehicle. Never operate this kart on any public streets, roads or highways, whether they are dirt, gravel or paved surfaces.

Keep Hands and Feet on Controls

When driving your kart, always keep both hands on the steering wheel and both feet on the foot controls. It is important to maintain your balance and to control the kart. Removing hands or feet away from the controls can reduce your ability to react and control the kart.



WARNING

Removing your hands from the steering wheel or feet from the foot controls during operation can reduce your ability to control the kart or could cause you to lose your balance and fall off the kart.

Always keep both hands on the steering wheel and both feet on the foot controls of your kart during operation.

Control Speed

Driving at excessive speed increases the chances of an accident. In choosing an appropriate speed, you need to consider the capability of your kart, the terrain, visibility and other operating conditions, plus your own skill and experience.



WARNING

Operating this kart at excessive speeds increases your chances of losing control of the kart, which can result in an accident.

Always drive at a speed that is appropriate for your kart, the terrain, visibility and other operating conditions, and your experience.

SAFE DRIVING PRECAUTIONS

Use Kart on Unfamiliar or Rough Terrain

Before driving in a new area, always check the terrain thoroughly. Don't drive fast on unfamiliar terrain or when visibility is limited (it's sometimes difficult to see obstructions like hidden rocks, bumps, or holes in time to react).



WARNING

Failure to use extra care when operating this kart on unfamiliar terrain could result in the kart overturning or going out of control.

Go slowly and be extra careful when operating on unfamiliar terrain. Always be alert to changing terrain conditions when operating the kart.

Never drive past the limit of visibility. Maintain a safe distance between your kart and other off-road vehicles. Always exercise caution and use extra care on rough, slippery and loose terrain.



WARNING

Failure to use extra care when operating on excessively rough, slippery or loose terrain could cause loss of traction or vehicle control, which could result in an accident, including an overturn.

Do not operate on excessively rough, slippery or loose terrain until you have learned and practiced the skills necessary to control the kart on such terrain. Always be especially cautious on these kinds of terrain.

DO Not Perform Stunts

You should always operate your kart in a safe and reasonable manner. When driving, always keep all four wheels on the ground.



WARNING

Attempting wheelies, jumps, and other stunts increases the chance of an accident, including an overturn.

Never attempt stunts, such as wheelies or jumps. Don't try to show off.

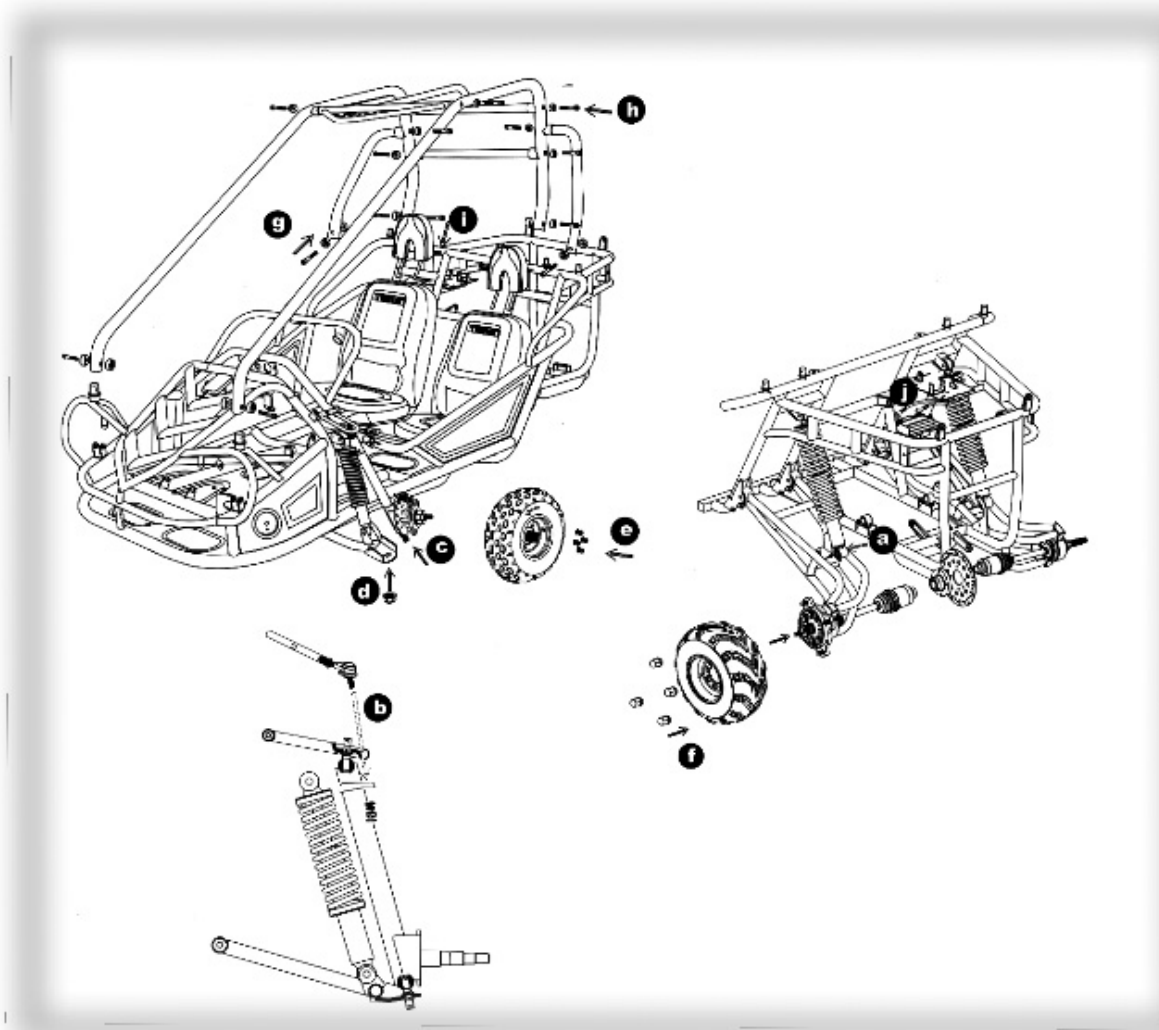
Radiator Indicator Lamp

During the driving, you should always keep close contact with this red indicator lamp. This indicator lamp will tell you when your engine coolant system is getting too hot. To keep from causing any damage, you should stop the kart and turn the key off. Check if there is any leak. At this time do not open the radiator cap, allow your coolant system and engine to cool down before opening the radiator cap.

If you find the coolant completely gone, you should check if the radiator, hoses or engine has such leaks.

P.D.I.

- a. Install RR. Shocks and tighten the nuts.
- b. Install Ball Head, Tie Rod, tighten the Castle Nut and insert the cotter Pin.
- c. Install Dust Seals, align the Ball Head Bolt, Knuckle Support to the square hole on the Lower A-Arm.
- d. Install Flange Nut and tighten it (>88.9 foot lbs).
- e. Install Front Tires and tighten the nuts.
- f. Install Rear Tires, tighten the nuts, insert cotter Pin and put on the Rubber Cover.
- g. Raise the C.B.C. bar as the picture shows.
- h. Install C.B.C. bar RR., put on R-Washer.
- i. Install Head-Rest.
- j. Check all nuts and bolts, wiring, cables, fuel line, switches and tire pressure.
- k. Fill battery with Acid and charge, check and fill the engine with the recommended oil.
- l. Fill fuel tank with Unleaded Gasoline, and turn on the ignition switch to start the engine.



SPECIFICATIONS

DIMENSIONS

Overall Length	87in.(2210mm)
Overall Width	53.5in.(1346mm)
Overall Height	56.6in.(1438mm)
Wheelbase	66.1in.(1680mm)
Front Track	45.7in.(1160mm)
Rear Track	42.7in.(1085mm)
Ground Clearance	8.5in.(215mm)

ENGINE

Type	Water cooled.4-Stroke
Engine Capacity	250cc
Bore/Stroke	72mm×60mm
Displacement	244ml
Corrected compression ratio	10:1
Carburator	VEKS4 & CV30
Output Power	10.5Kw/6000rpm
Maximum Torque	17.6N.m/5500rpm
Starting	Electric
Ignition	C.D.I.
Lubrication	Force & Splash
Transmission	Automatic(C.V.T system)
Spark plug	DPRSEA-9(NGK)
Plug glug	0.6-0.7mm
Fuel Type	RQ90(unleaded)
Lubricate oil	SAE 15W-40/SF

DRIVE COMPONENTS

Gear box oil	MoS2 & W-2DW-4D
--------------	-----------------

CAPACITIES

Maximum load	Double Seats/400lbs
Fuel tank	2.25 Gal
Engine oil	30 Oz
Starting	<5s
Climbing	20-25°
Battery	12V 10Ah
Head Light	12V 35W/35W
Tail Light	12V 21W/5W
Fuse	10A

SPECIFICATIONS

Brake Track----- <7m@20miles/h
Top speed----- 75km/h(or limited as customers require)

CHASSIS

Front,Rear brake-----Hydraulic disc,left foot control
Front tire-----20×7-8
Rear tire-----22×10-10
Front Suspension-----Independent Dual A-Arm
Rear Suspension-----Full Independent Rear Suspension/Oil Damped Shocks
Restraint System-----Dual 4-point Harness
Final Drive-----CV-Shafts

TIRE PRESSURE

Front-----150kPa 1.5kg/cm² 21.3psi
Rear-----200kPa 2.0kg/cm² 28.4psi

WEIGHT

Net Weight-----280kg
Gross Wight-----326kg

A. Operation controls

WARNING—Do not attempt to start or operate the engine until complete familiar with the location and use of each control necessary to operate this vehicle. The operator must know how to stop this machine before starting and driving it.

a. Throttle

The right foot pedal is the throttle that controls the kart speed. As the engine speed increases above idle, the clutch automatically engages and moves the vehicle forward. (See Fig.1)

⚠ WARNING

Each time prior to starting the engine, check the throttle assembly to ensure that when the pedal is pushed all the way forward the assembly is working smoothly and returns to idle when released. Do not operate if pedal or engine throttle linkage fail to return to idle. If unable to correct the problem through lubrication, adjustment or replacement of worn parts, contact your dealer for assistance.

b. Brake

The brake is the left foot pedal (See Fig.1). Applying pressure to the pedal slows or stops the kart.

c. Start engine

Insert the key into key-switch, turn the key clockwise, release the key when the engine starts. The engine will warm up within 5 minutes and the choke will close automatically allowing operation at normal RPM (Warning: Don't crank the starter for more than 5 seconds at one time).

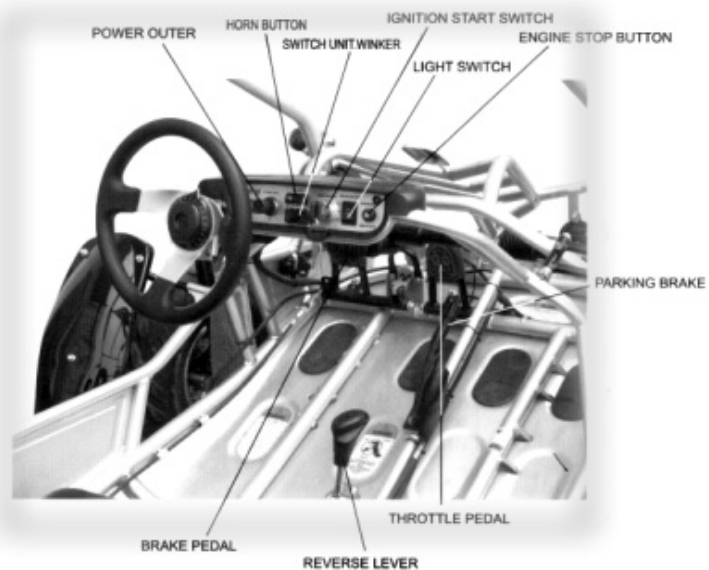


Figure 1

d. Engine stop button

Important—stop button test

Before driving this vehicle, test the Engine Stop Button to ensure that it is operating properly. With the engine running, push and hold the Engine Stop Button for two seconds for the engine to shut down.

OPERATION

B.Pre-Drive Inspection



WARNING

Perform this pre- drive inspection everyday before driving the vehicle.If not performed,serious damage to the vehicle or personal injury may result.

- a. Check the engine oil level is between the bottom of the dipstick and the "0" mark. Check for leaks. Add oil if required.
- b. Check the Fuel Level. Add fuel as necessary and do not overfill. Check for leaks. Ensure the fuel filler cap is securely fastened.
- c. Check the Brakes. Depress the left brake pedal several times, and check for adequate brake pedal freeplay. Make sure there is no brake fluid leakage.
- d. Check the tires. Check their condition for damage or excessive wear and pressure.
- e. Check the Throttle Cable. Check for smooth operation. Ensure the throttle snaps back to idle when released and moves smoothly without sticking.
- f. Check the Engine Stop Button. While the engine is running press and hold the engine stop button for 2 seconds. Make sure the engine stops.
- g. Check all Nuts, Bolts, and Fasteners. Check the wheels to see that all axle nuts and lug nuts are tightened properly. Check and tighten as necessary all other nuts, bolts and fasteners.
- h. Check the C.B.C. Bar. Ensure all C.B.C. bars are in place before operating the kart.
- i. Check the Lights. Check the headlights, brake light and tail light are all working.
- j. Check the Steering. Check that the steering wheel moves freely in both directions but without any unusual looseness.
- k. Check all Cable Housings. Check these for wear and the fitting for any looseness.
- l. Check the underbody and exhaust system. Remove all dirt, vegetation and mud and check for any damage due to impact with rocks or uneven terrain.
- m. Check the Air Cleaner Housing Drain Tube. Check the deposits in the drain tube. If necessary, check the tube and air cleaner housing.
- n. Check Leaks and Loose Parts. Walk around your kart and look for anything that appears unusual, such as a leak or loose cable.
- o. Check the Parking Brake. Make sure the kart does not move forward or backward when the parking brake is applied.
- p. Check the Radiator. Make sure there is no leak of radiator or hoses before you start the engine. Check the water level.
- q. Check the radiator to see if the level of the coolant is full. Refill the coolant as needed or your engine would burn up and cost you in repairs. Never open the radiator cap when engine is running. Allow the engine to cool down, and then refill the coolant.

Component locations

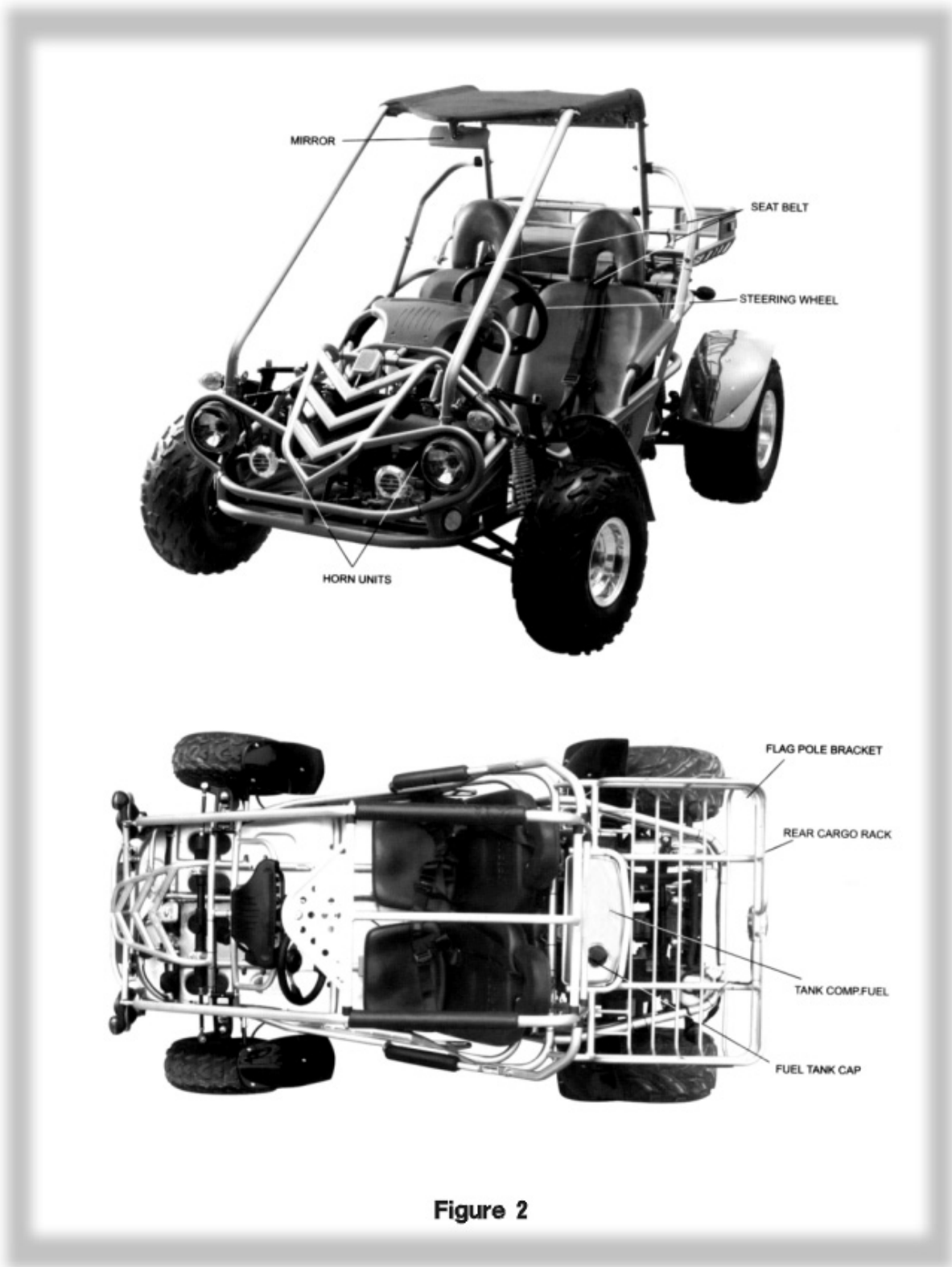


Figure 2

OPERATION

C.Passengers

The vehicle is designed for two people only. The combined maximum weight of the driver and the passenger should not exceed 200kg or 440lbs.

D.Seat Adjustment

The seat should be securely fastened in the position which gives the operator best control of the foot pedals, steering wheel, and the remote stop button.

- a. Pull the seat adjustment handle upward to disengage the seat slide.
- b. Move the seat to the desired position.
- c. Be sure that the seat adjustment handle snaps back into place and that seat is locked into position.



Figure 3



WARNING

Before attempting to adjust the seat, ensure that engine is stopped.



WARNING

Never operate this kart when the seat is not securely in place, to do so could result in personal injury or loss of life.

E.Forward and Reverse Gear

a. Push the brake pedal down. The brake pedal must be pushed in to change the gear settings.

b. Push the lever forward to the "D" position for the kart to move forward.

c. Each time you need to apply the brake to change the setting to go backwards apply the brake and move the lever to the "R" for the kart to go backwards note! Your kart is set up with 3 settings (See Fig.4):

"D" Forward

"N" Neutral

"R" Reverse



WARNING

Always stop the kart before changing gears. Your kart's shifter will only change after the kart is stopped and not moving!

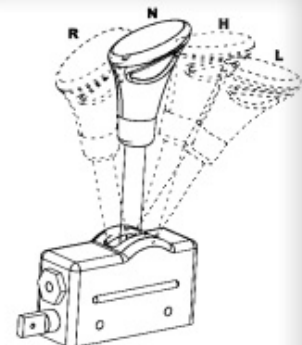


Figure 4

F.Starting and Operating Instructions

- a.Before starting the engine,the driver must be seated properly in the kart with the seat belt on.
- b.Practice in the kart in an open space at the beginning to learn how to start,turn and stop the vehicle.
- c.Drive slowly until you are familiar with the operation of the kart.
- d.The turning radius of this kart is small and agile,so the centrifugal force is very high when turning at high speed.Slow down to a more controllable speed when turning to prevent the kart from rolling over.The driver should keep their heels on the ramp of the main board when turning.
(See Fig.5)Keeping their leg on the foot pedal,the driver can feel that the kart is stable and won't roll over.



POSITION FOR HEEL **Figure 5**

SERVICE INSTRUCTIONS

A.Air Cleaner

Service the air cleaner every 20 hours

NOTE:Service is required more often in dusty conditions.

- a.Remove cleaner cover 1.
- b.Remove air cleaner element 2(See Fig.6)
- c.Fill the non-flammable cleaning agent into a basin and dip the element in it.
- d.Dry it after cleaning.Replace check for cracks or holes.It needs to be replaced with new filter.

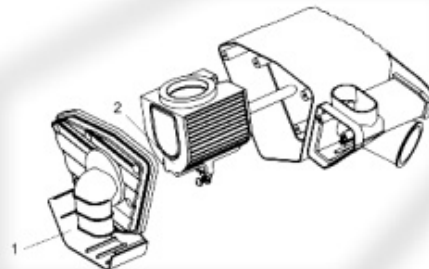


Figure 6

SERVICE INSTRUCTIONS

B.Engine Lubrication

You must change the oil in the crankcase after the first 5 hours of operating(See Fig.7) and after every 10 hours of use thereafter.This will insure proper lubrication of the internal parts and prevent costly repairs due to excessive wear.



WARNING

Used Oil Must Be disposed of at a proper collection Center

a.Remove the drain plug located on the right rear side of the engine.Tip the kart backwards slightly by blocking up the front end and drain the oil into suitable container.

b.Remove and clean the oil filter.

c.Replace the drain plug and tighten securely.Place the kart in a level position.

d.Refill the crankcase(approximately 1 1/4 pint)to the top of the filler neck with SAE 10W40 oil.

e.Check the oil level before each use of the kart or after each 10 hours of operation.Add oil when necessary to keep the level between the bottom of the dipstick and the "0" mark.Do not mix various grades of oil.

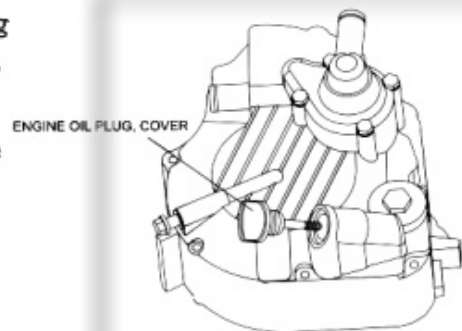


Figure 7

C.Spark Plug

a.Remove the spark plug and inspect it each time you change the oil(Use a spark plug wrench). The electrodes should be kept clean and free of carbon.The presence of carbon or excess oil will greatly reduce engine performance. If possible,check the spark plug gap(area between electrodes)using a wire feeler gauge.This specification is 0.6-0.7mm.

b.Before installing the spark plug coat the threads lightly with graphite grease if possible,to ensure easy removal next time the spark plug needs inspection.

c.It is advisable to replace the spark plug at least once a year to ensure easy starting and good engine performance

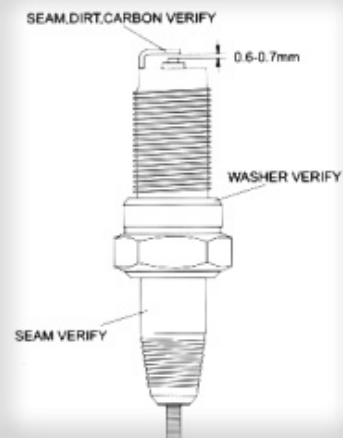


Figure 8

D.Carburetor Adjustment

Never make unnecessary adjustments.The factory recommended settings are correct for most applications.

SERVICE INSTRUCTIONS

- a. Warm up the engine(5-10min)
- b. Tighten the air screw gently. Backout 2-3/8 turns counter clockwise.
- c. Connect the tachometer, adjust the throttle to limit the idle speed. The standard value is 1400RPM.
- d. Turn the air screw counter clockwise slowly and observe the RPM of the engine, stop adjusting as the RPM reaches the top speed.
- e. Adjust the screw and adjust the idle speed to an ideal value.
- f. Recheck and readjust the idle speed if necessary.

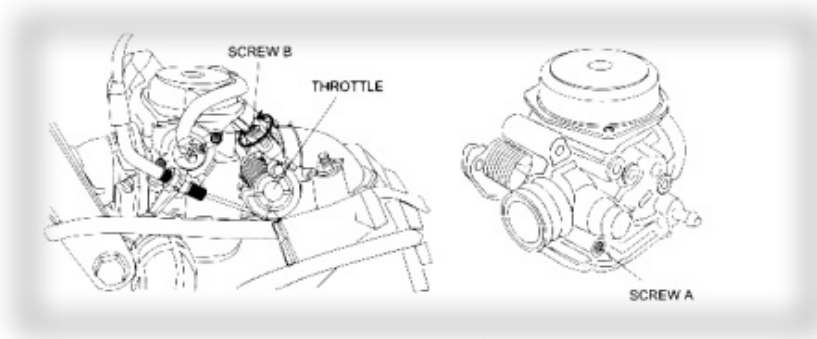


Figure 9

E. Cleaning Instructions

Keep your kart clean. With a clean rag, wipe off all dirt and oil from around the controls. Wipe off any spilled fuel and oil. Keep the engine clean of foreign objects, and be sure to check that the air intake fan is free of debris for proper cooling.

F. Kart Lubrication

Lubricate the vehicle every 90 days of use. Lubrication should be done more often, if the kart is used everyday.

G. Adjustment of Front And Rear Shock

There are five positions on each shock. The default position is in the middle set by the manufacturer(See Fig.10)

Use a round nut wrench as you adjust the shock, the tension of shock spring will increase as you screw to the left, decrease as you screw to the right. Adjust according to the weight of the riders.

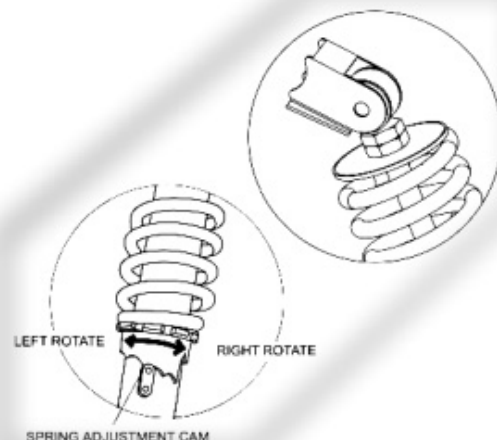


Figure 10

SERVICE INSTRUCTIONS

H.Storage Instruction

In the event your kart is not to be operated for a period in excess of 30 days or at the end of each driving season prepare for storage as follows:

- a.Drain the fuel tank and carburetor by allowing the engine to run out of fuel.
- b.Lubricate engine cylinder by removing the air spark plug and pouring a small amount of oil into the plug hole,then re-fit the plug.
- C.Do not save or store gasoline over winter.Using old gasoline,which has deteriorated from storage,will make the engine difficult to start and affect engine performance.



WARNING

Do not drain fuel while engine is hot.Be sure to move the kart outside before draining fuel.

REPAIR

A.Front Wheel Replacement

Do not disassemble the castle nuts when you replace the front wheels.

It is only necessary to remove the 4 lug nuts to remove the wheel.(See Fig.11)

Tighten the nuts after replacing the wheels.

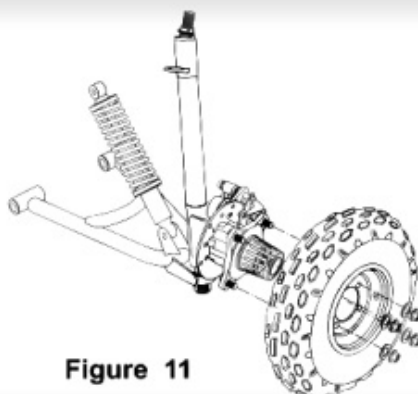


Figure 11

B. Rear Wheel Replacement

Do not disassemble the castle nuts when you replace the rear wheels and hub assembly.

Remove the cotter pin and then 24mm nut. Then slide off the wheel and hub assembly. It is only necessary to remove the 4 lug nuts to remove the wheel. Tighten the nuts after replacing the wheels.

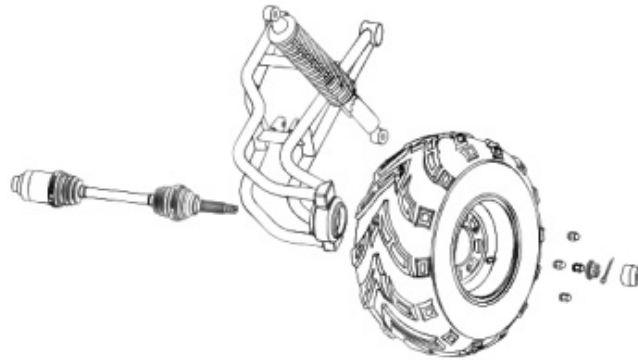


Figure 12

C. Front Wheel Alignment

- a. The front wheels should toe-in from 1/8 to 1/4 inch. To check for alignment, measure distance A and B between the centerline (CL) of the wheels. The proper toe-in dimension A should be 1/8 to 1/4 inch greater than dimension B.
- b. To adjust the alignments, loosen the lock nuts on both sides of Front Tie Rods. To make Dimension B smaller, turn the rod to left. Adjust the rod to right direction to make Dimension B larger. After adjusting to the desired length, tighten the lock nut against the rod end. Recheck the dimensions for proper alignment.

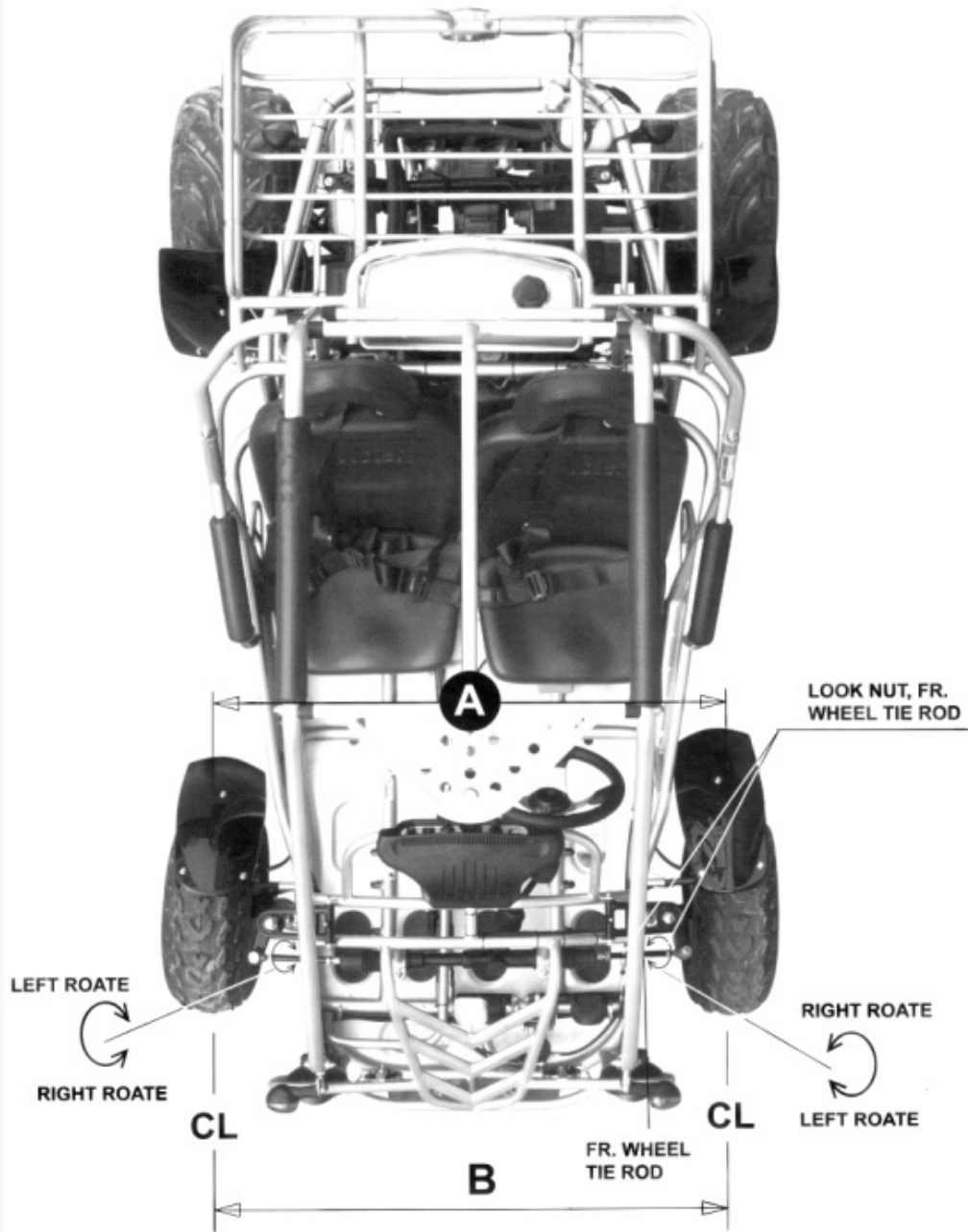


Figure 13

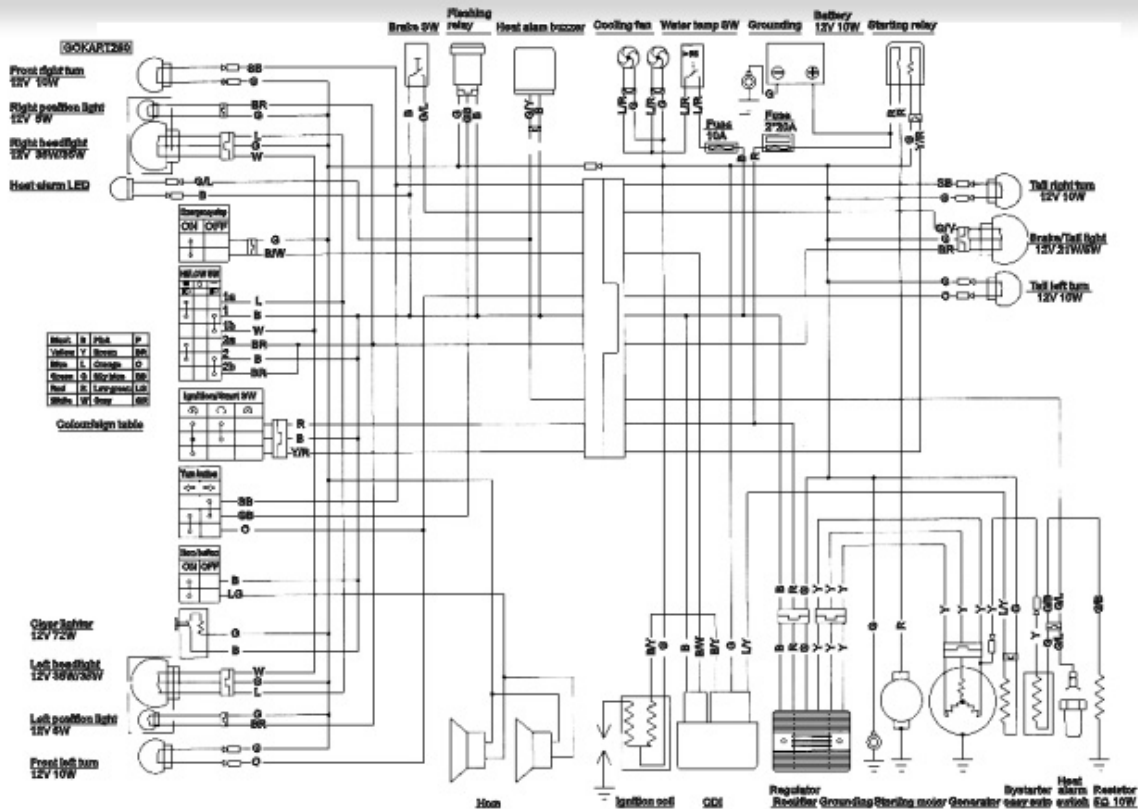
PERIODICAL CHECK AND SERVICES

The maintenance intervals in the following table are based upon average driving conditions. Driving in unusually dusty areas, require more frequent servicing.

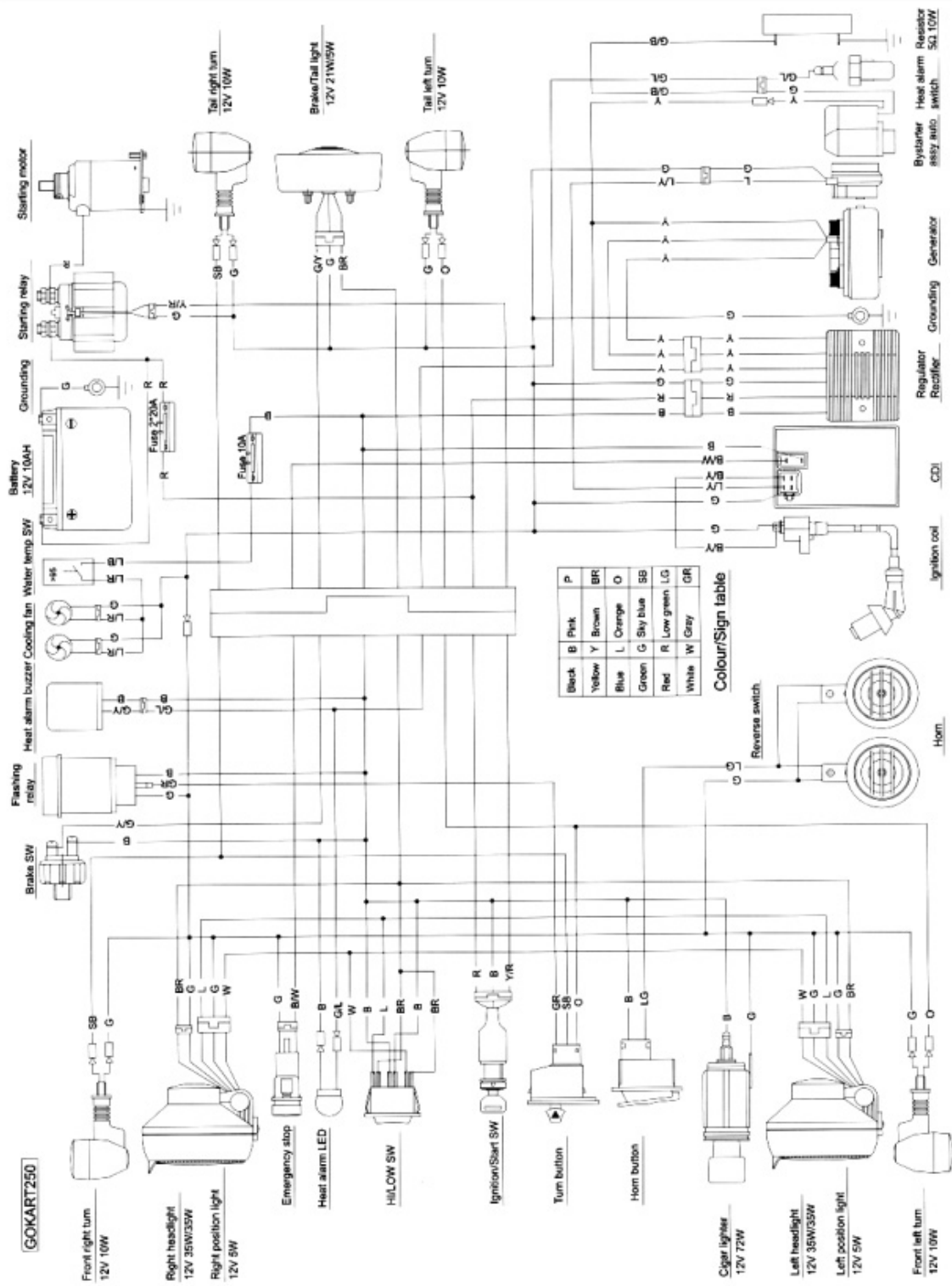
Items	Time of service	Initial service (first week)	Monthly	Quarterly	Yearly
Tire pressure/wear		I	I		
Brake performance		I	I		
Tightness of screws		I	I		
Air cleaner			C		R
Carburetor		I			C
Spark plug				C, A	
Coolant				A	
Brake oil		I	I	I	
Replace gearbox oil			C, I	R	
Chassis		I	I	L	
Fuel switch/fuel tank			I		C
Battery				I	
Valve clearance of engine				A	

A:adjust C:clean I:inspect, clean or replace if necessary. L:lubricate R:replace

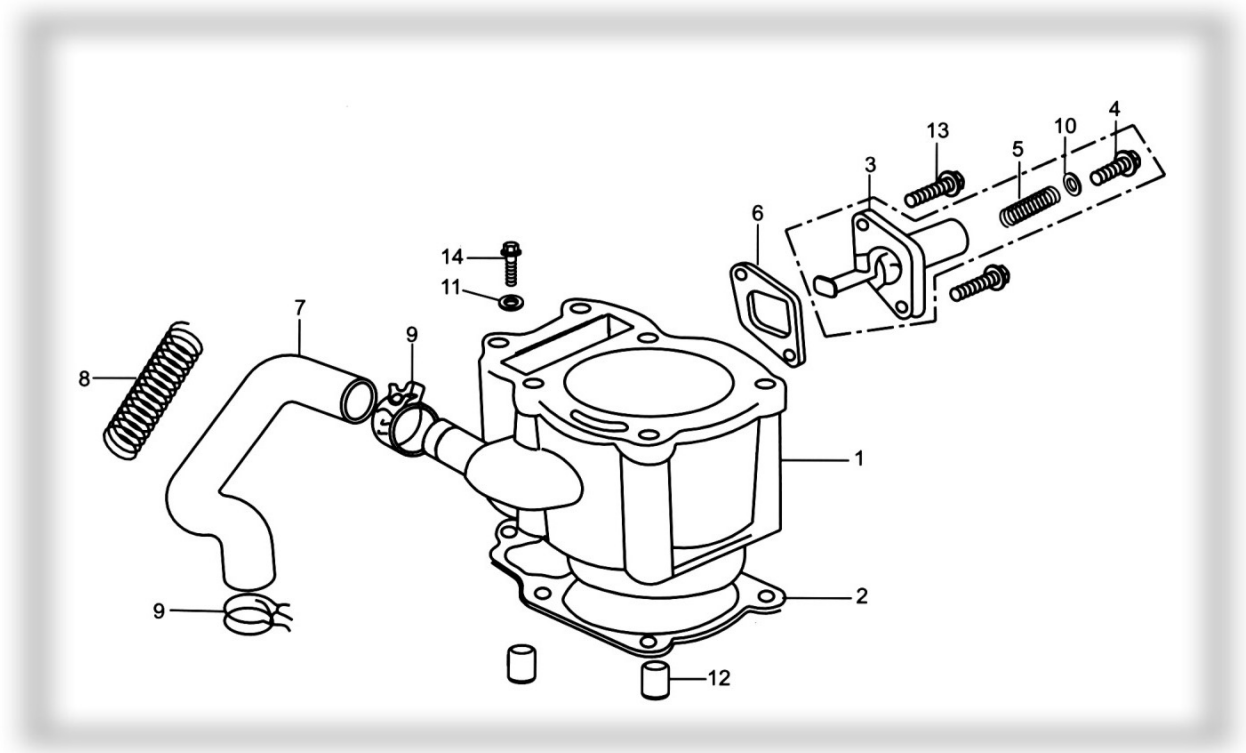
WIRING DIAGRAM



WIRING DIAGRAM



CYLINDER COMP.



CYLINDER COMP.

REF NO.	PART NO.	DESCRIPTION	REGD NO.
1	172MM-023100	CYLINDER COMP	1
2	172MM-023002	CYLINDER SEAL	1
3	152MI-023300	TENSIONER	1
4	152MI-023007	SPRING SEAT FLANGE BOLT	1
5	152MI-023006	SPRING	1
6	152MI-023004	TENSIONER SEAL	1
7	172MM-023007	WATER INFLOW RUBBER TUBE	1
8	172MM-023009	WATER TUBE SHEATH	1
9	QC/T621-1999-B24	WIRE CLAMP	2
10	152MI-023005	WASHER 8.5	1
11	GB/T848-85-6-D	SMALL WASHER	1
12	152MI-021005	DOWEL PIN 10x14	2
13	152MI-023008	FLANGE BOLT M6x18	2
14	152MI-080013	FLANGE BOLT M6x22	1

FIG.2

CYLINDER COVER ASSY.(1)

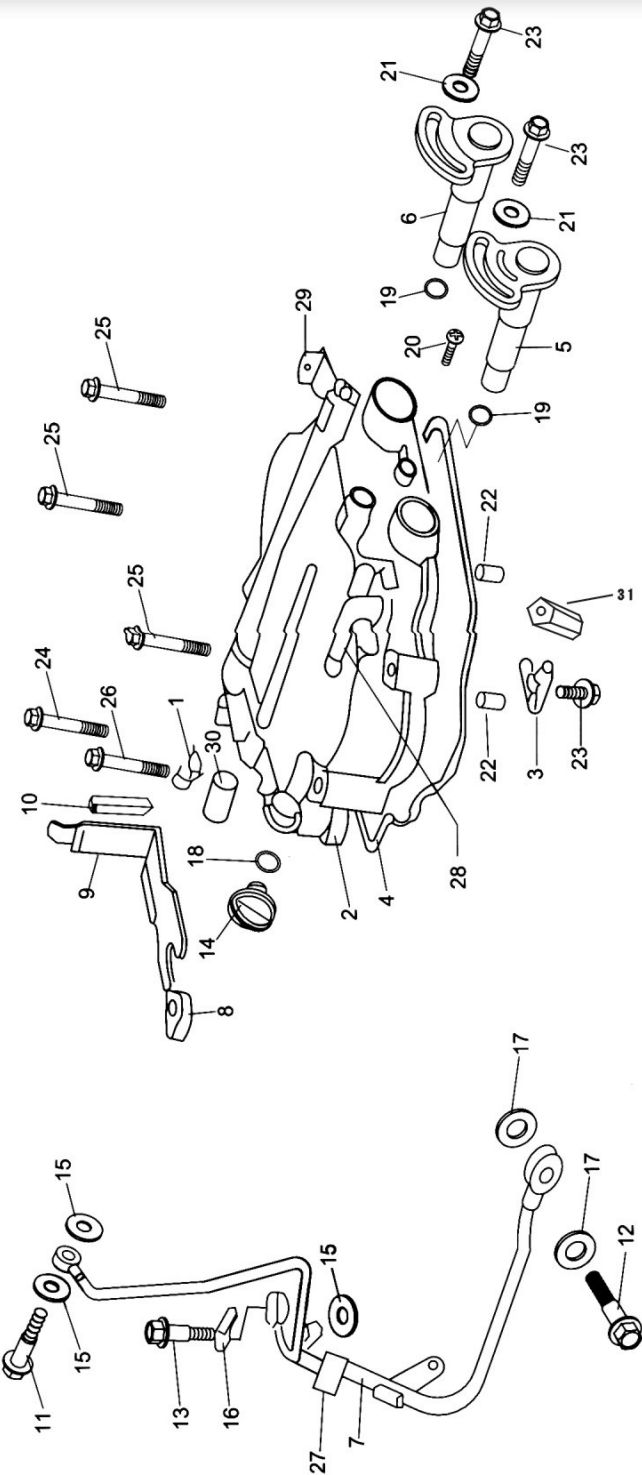


FIG.3

CYLINDER COVER ASSY.(2)

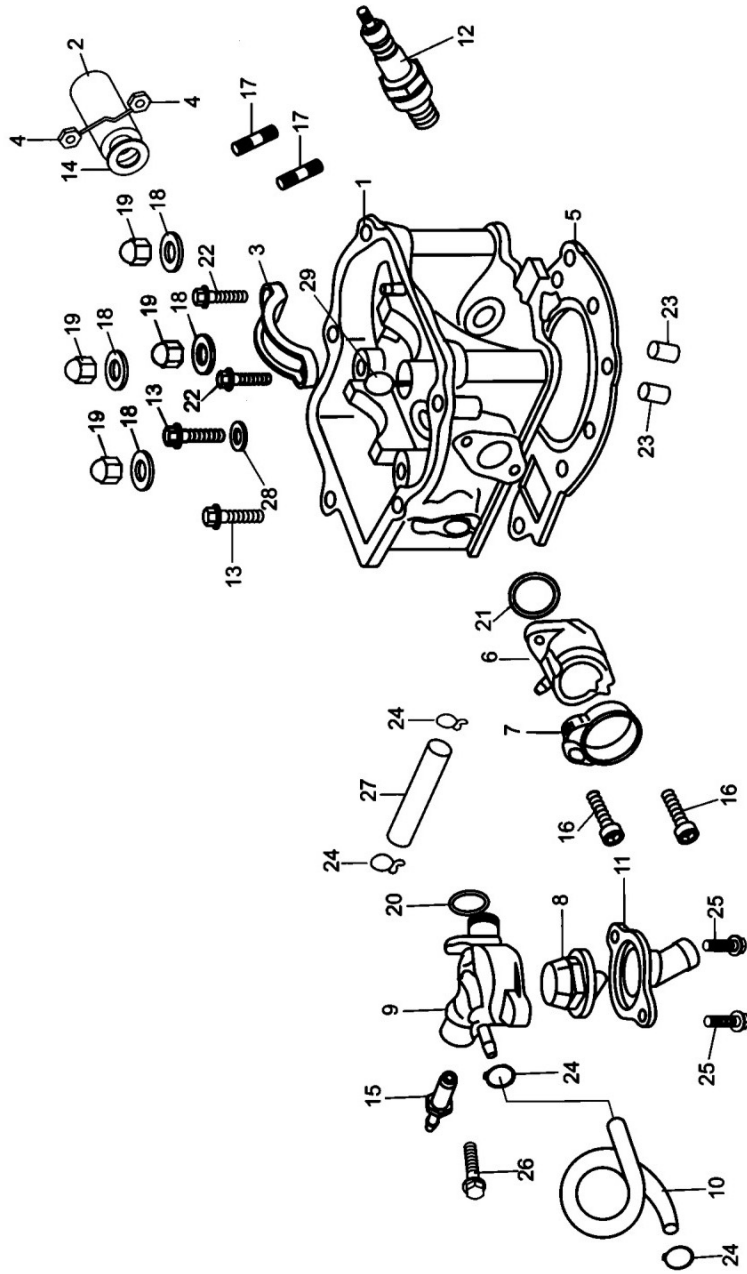


FIG.4

CRANK CASE ASSY

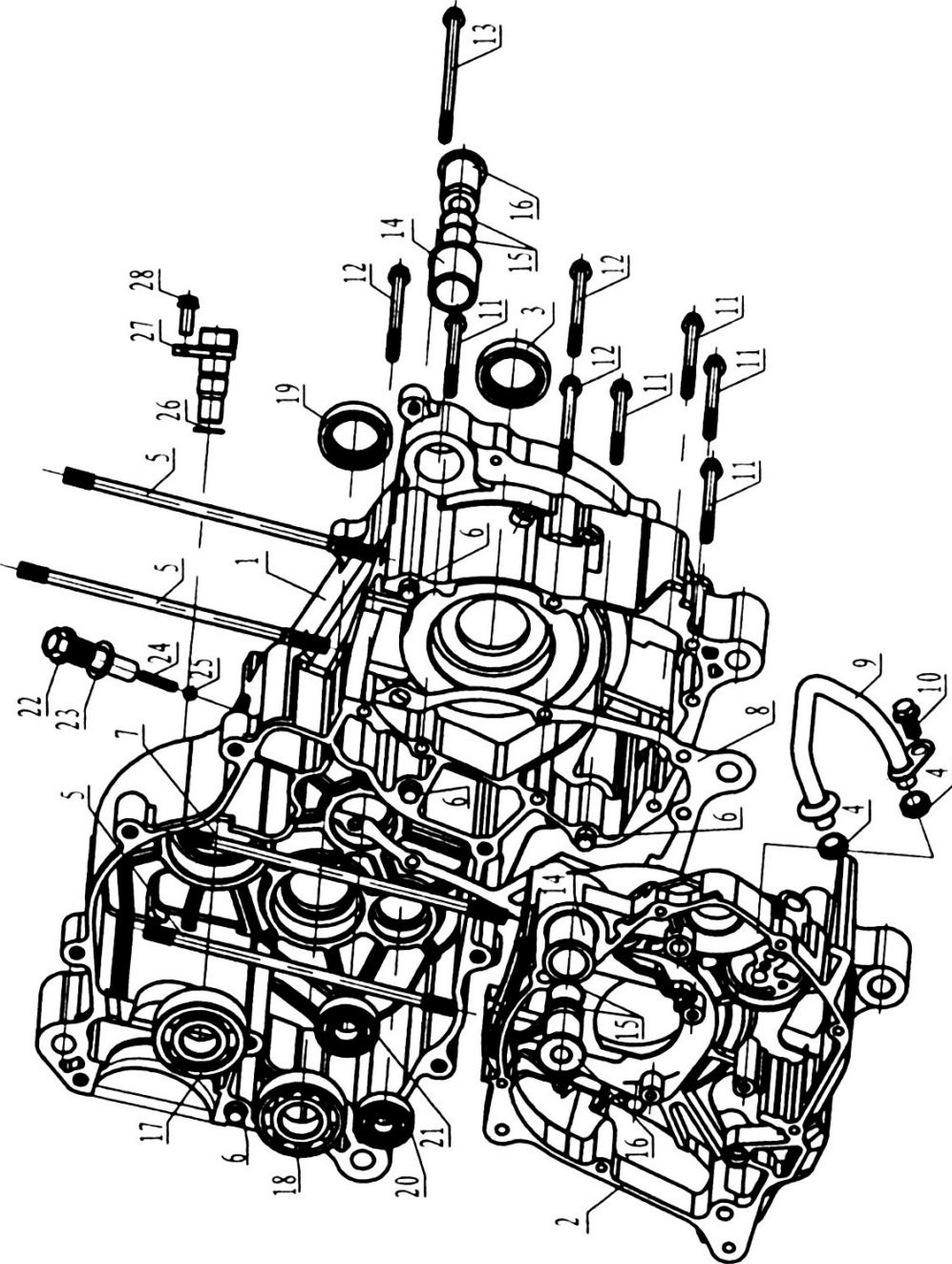
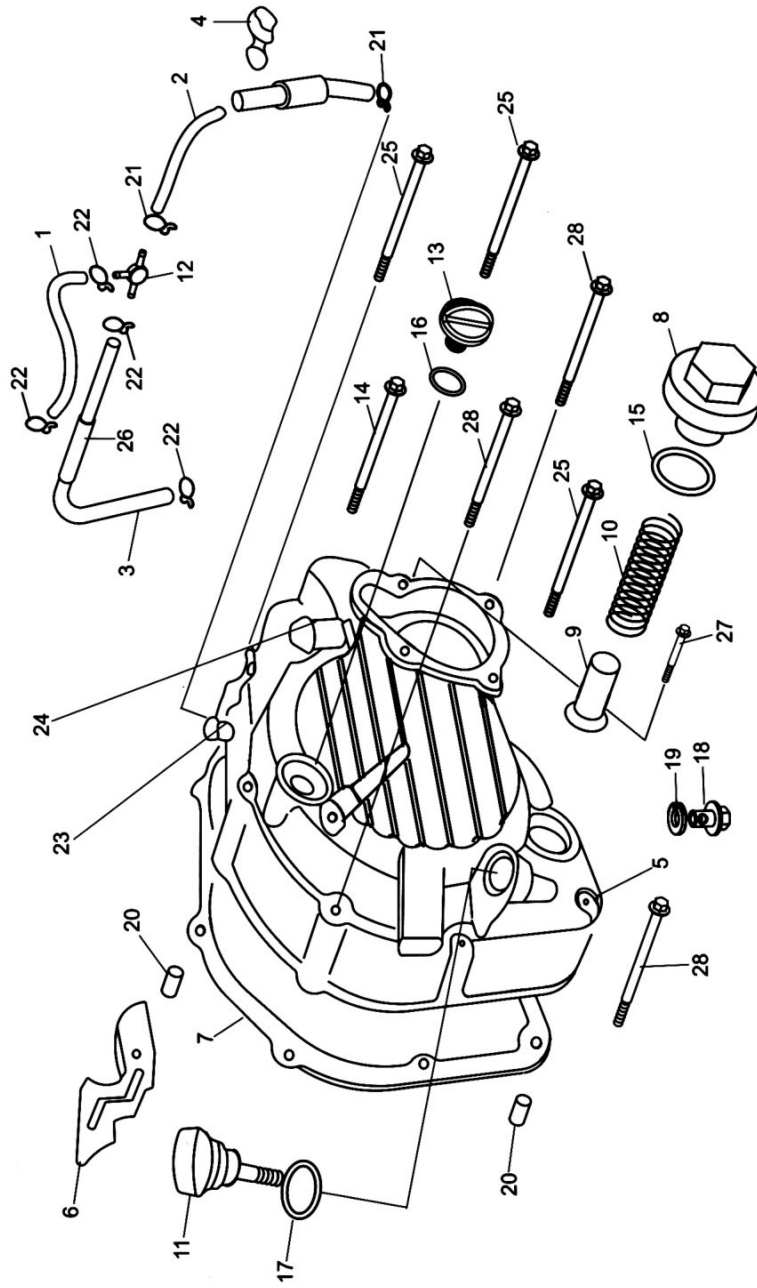
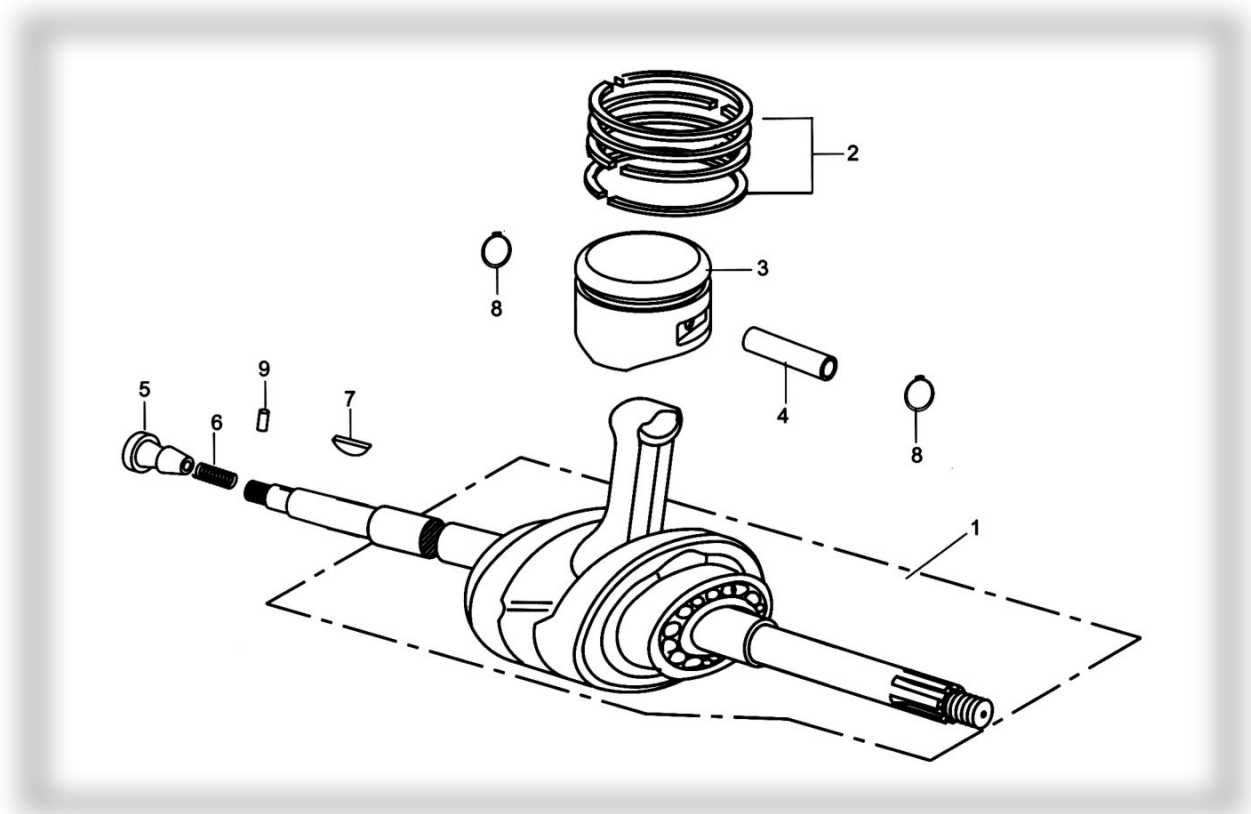


FIG.5

RIGHT SIDE COVER ASSY.



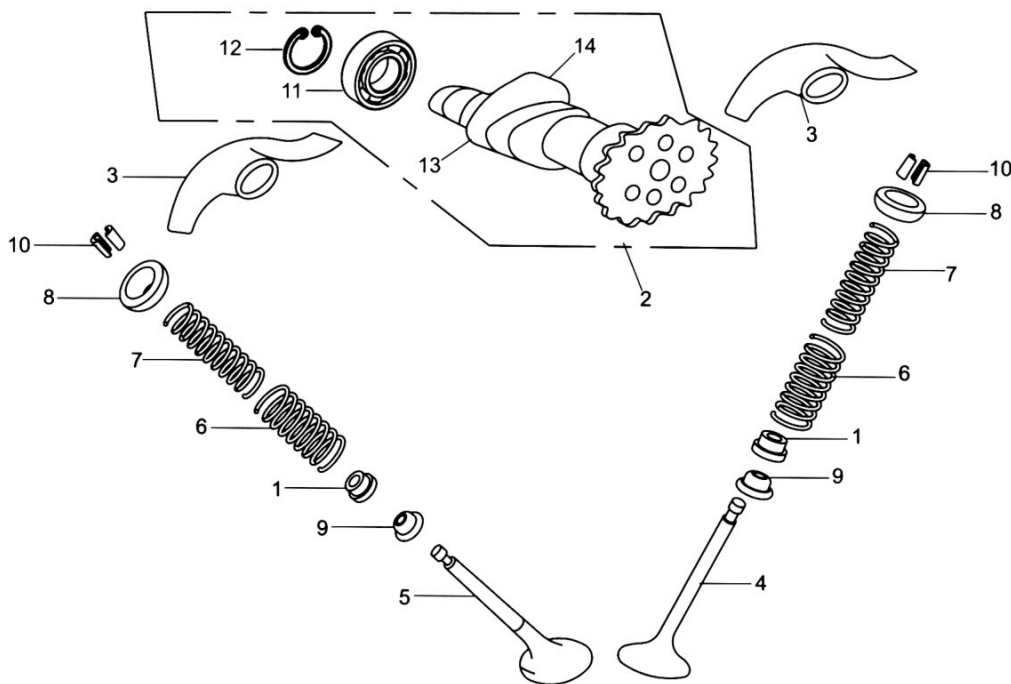
CRANKSHAFT CON'ROD & PISTON ASSY.



CRANKSHAFT CON'ROD & PISTON ASSY.

REF NO.	PART NO.	DESCRIPTION	REGD NO.
1	172MM-041000	CON'ROD ASSY.	1
2	172MM-040008	THE FIRST PISTON RING	1
	172MM-040009	THE SECOND PISTON RING	1
	172MM-042000	OIL RING ASSY.	1
3	172MM-040005	PISTON	1
4	172MM-040007	PISTON PIN	1
5	152MI-040011	OIL TUBE JOINT	1
6	152MI-040010	OIL TUBE JOINT SPRING	1
7	152MI-040006	WOODRUFF KEY	1
8	172MM-040006	PISTON PIN CIRCLIP	2
9	GB/T119-2000	COLUMN PIN 2x14	1

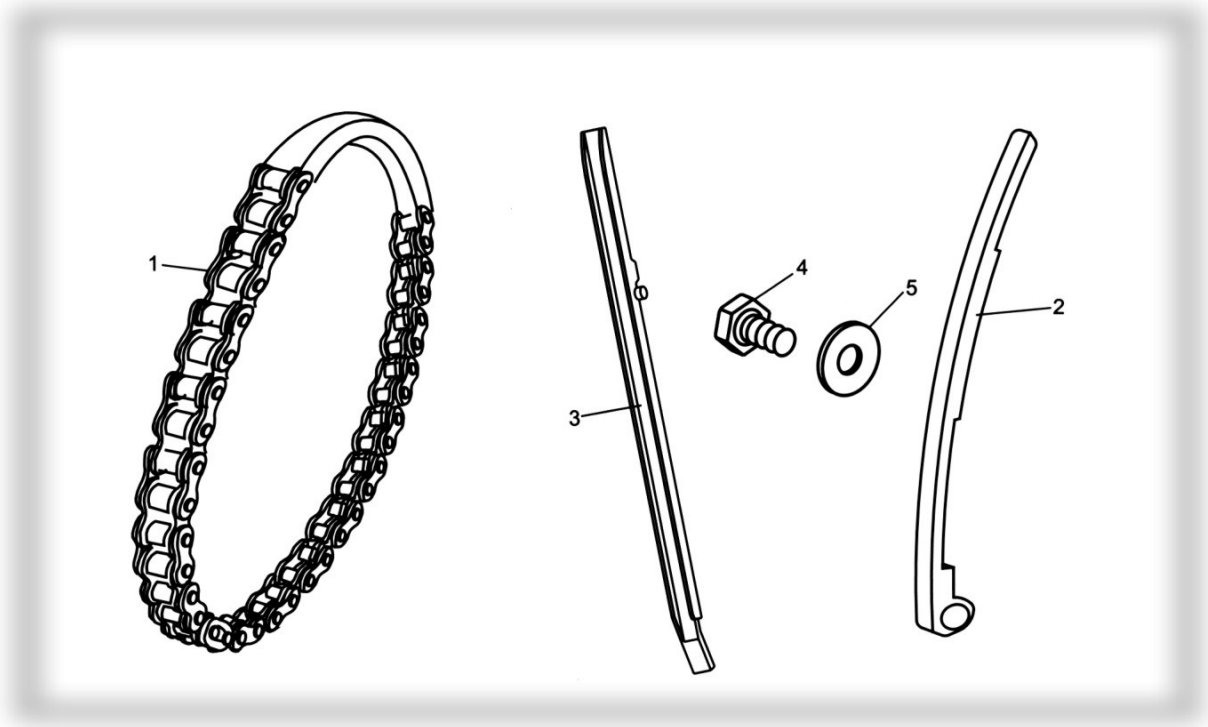
VALVE TRANNY ASSY.(1)



VALVE TRANNY ASSY.(1)

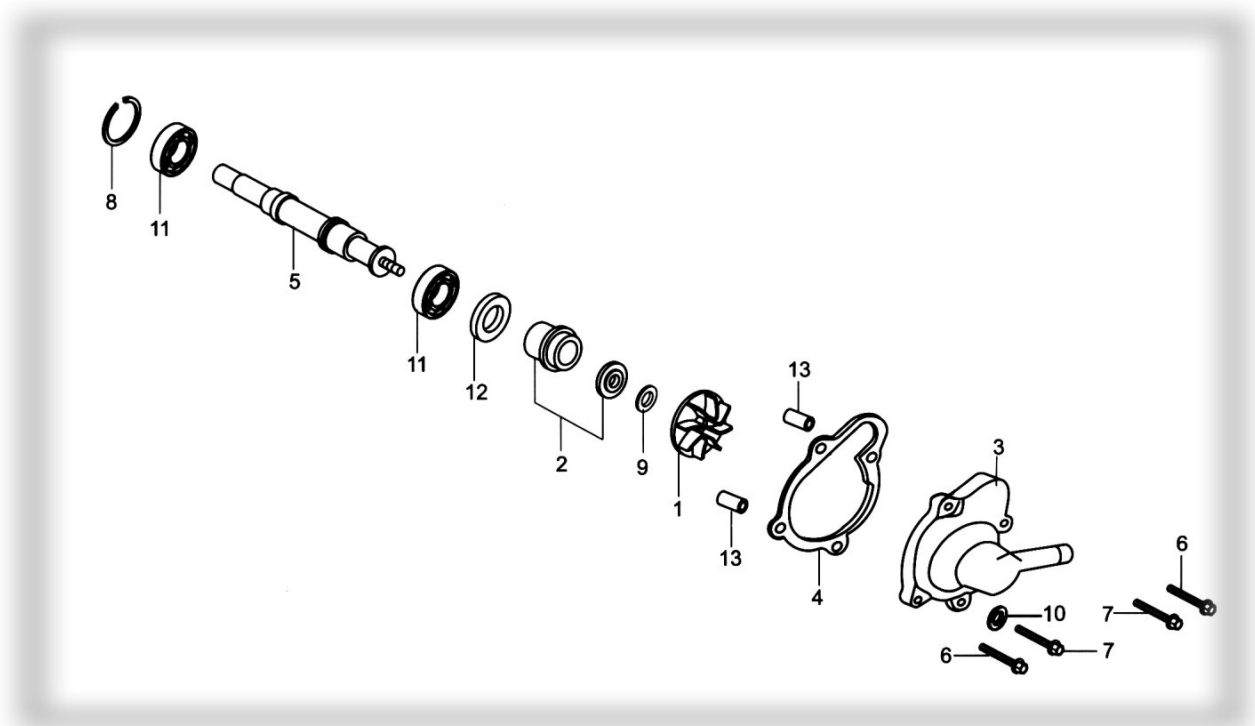
REF NO.	PART NO.	DESCRIPTION	REGD NO.
1	152MI-022500	VALVE TAPPET SEAL	2
2	172MM-022300	VALVE CAM	1
3	152MI-021007	ROCKER	2
4	172MM-022001	INLET VALVE	1
5	172MM-022005	EX.VALVE	1
6	172MM-022002	OUTER VALVE SPRING	2
7	152MM-022003	INNER VALVE SPRING	2
8	152MI-022005	SPRING VALVE DISC	2
9	152MI-022001	SPRING VALVE SEAT	2
10	152MI-022006	VALVE CLIP LOCK	4
11	NTN:16002	ROLL BEARING	2
12	GB894 1-86-15	BEARING CIRCLIP	1
13	172MM-022310	CHAIN WHEEL	1
14	172MM-022301	CAMSHAFT	1

CVALVE TRANNY ASSY.(2)



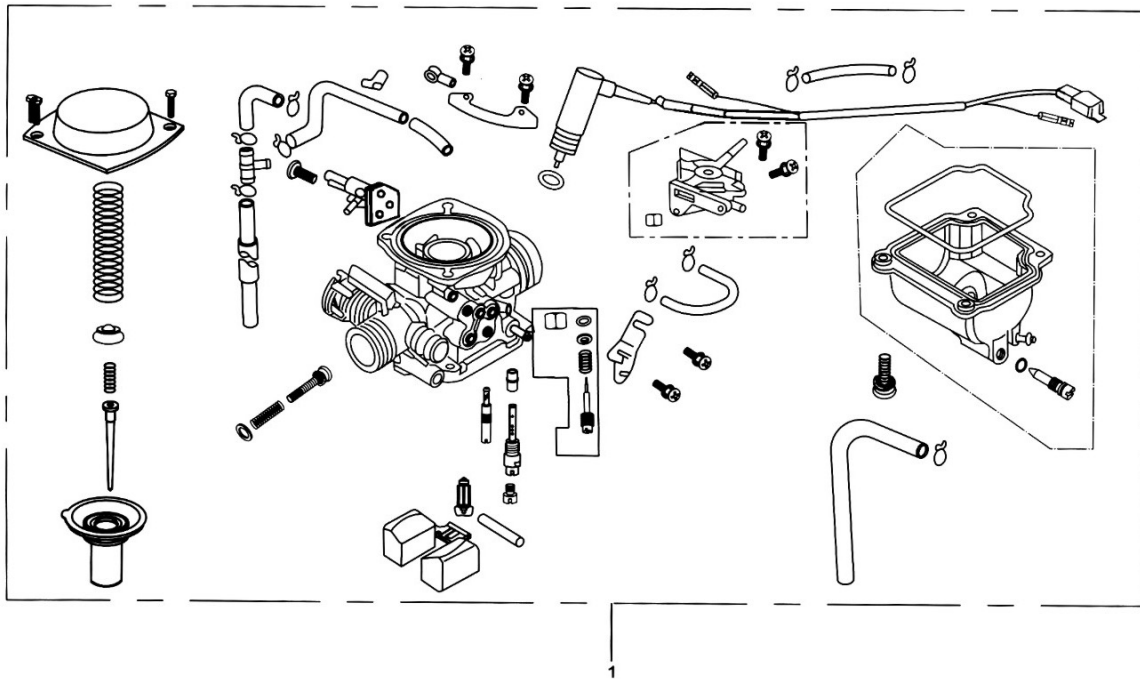
VALVE TRANNY ASSY.(2)				
REF NO.	PART NO.	DESCRIPTION	REGD NO.	
1	172MM-022200	TIME CHAIN	1	
2	172MM-023200	TENSIONER	1	
3	172MM-023001	CHAIN GUIDE PLATE	1	
4	GB96-85-6-D.Zn	BIG WASHER	1	
5	GB/T5781-2000	HEX FLANGE BOLT M6x12	1	

WATER PUMP ASSY.



WATER PUMP ASSY			
REF NO.	PART NO.	DESCRIPTION	REGD NO.
1	172MM-080004	WATER PUMP IMPELLER	1
2	152MI-081000	WATER SEAL	1
3	172MM-080003	WATER PUMP HOUSING	1
4	172MM-080002	WATER PUMP HOUSING SEAL	1
5	172MM-080001	WATER PUMP SHAFT	1
6	152MI-013009	FLANGE BOLT M6x40	2
7	152MI-02017	FLANGE BOLT M6x25	2
8	GBT893 1-86-19	CIRCLIP	1
9	152MI-080007	WASHER 7.5x13x1.2	1
10	152MI-080011	WASHER 6x12x1	1
11	NTN:6800	ROLL BEARING	2
12	172MM-080005	OIL SEAL 10x20x5	1
13	152MI-080008	DOWEL PIN 8x14	2

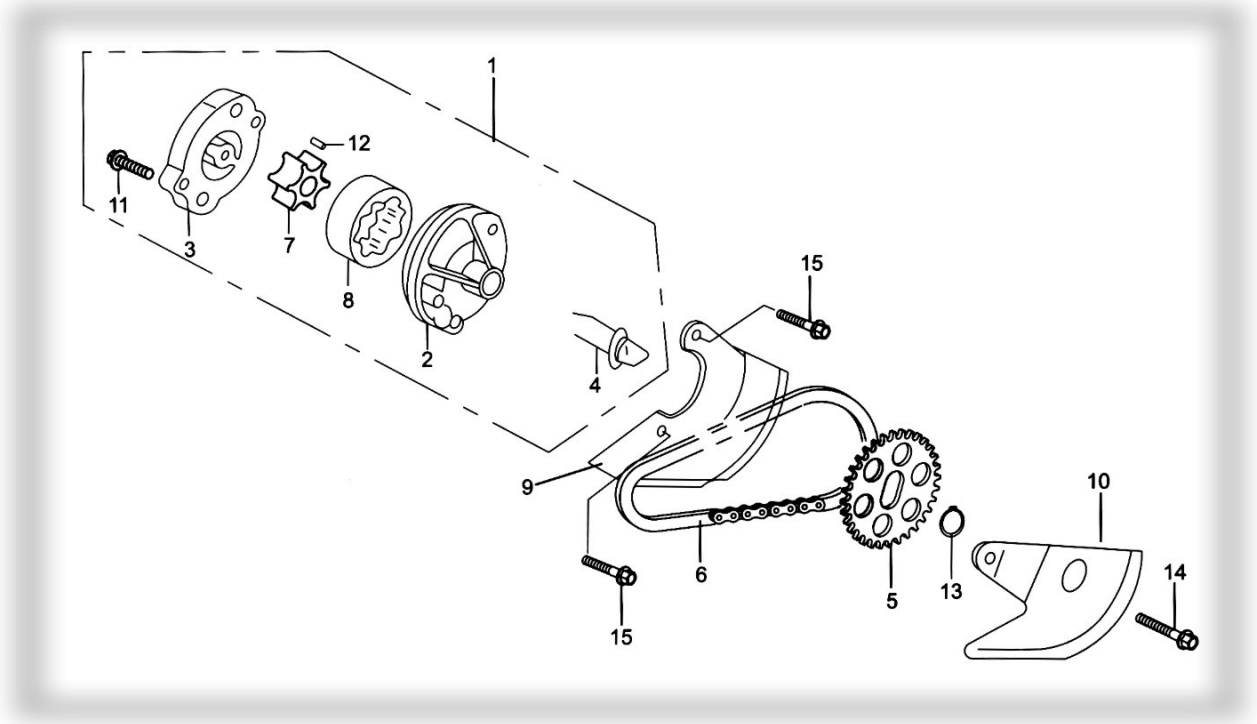
CARBURETOR COMP.



CARBURETOR COMP.

REF NO.	PART NO.	DESCRIPTION	REGD NO.
1	172MM-10000	CARBURETOR COMP.	1

OIL PUMP ASSY.



OIL PUMP ASSY			
REF NO.	PART NO.	DESCRIPTION	REGD NO.
1	152MI-071000	OIL PUMP ASSY	1
2	152MI-071002	OIL PUMP	1
3	152MI-071003	OIL PUMP COVER PLATE	1
4	152MI-071001	OIL PUMP SHAFT	1
5	152MI-070001	OIL PUMP SPROCKET	1
6	152MI-073000	OIL PUMP CHAIN	1
7	152MI-071004	INNER OIL PUMP ROTOR	1
8	152MI-071005	OUTER OIL PUMP ROTOR	1
9	152MI-070002	OIL PUMP DIVISION PLATEA	1
10	152MI-072000	OIL PUMP DIVISON PLATEB	1
11	GB878-85	FLANGE BILT M3 × 12	1
12	152MI-0710006	DOWEL PIN 4 × 6.5	1
13	GB897 1-86-10	CIRCLIP	1
14	152MI-021019	FLANGE BOLT M6 × 12	1
15	152MI-071007	FLANGE BOLT M6 × 28	2

CLUTCH ASSY.

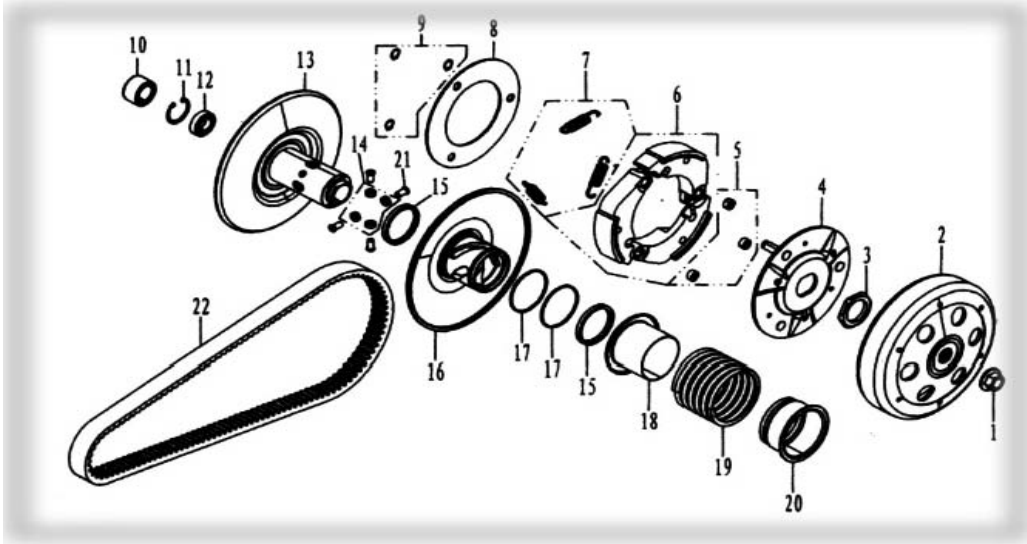
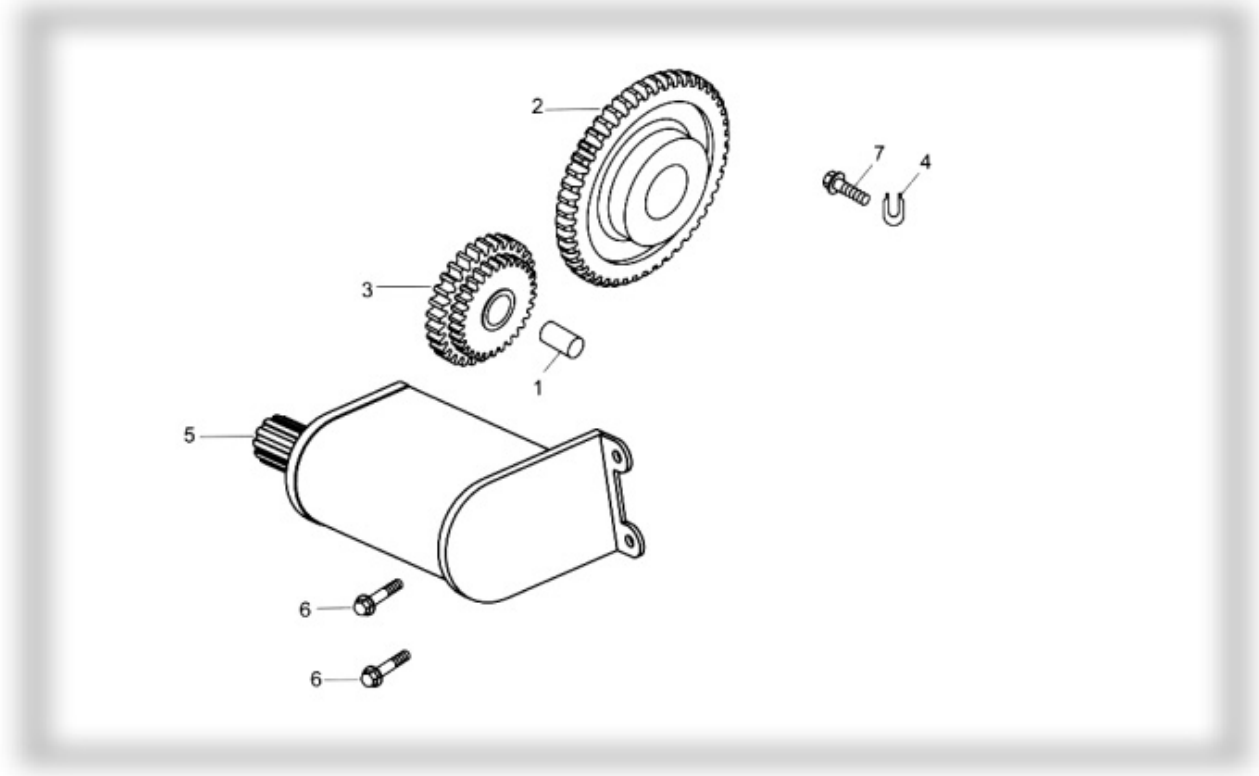


FIG 23 IS EVERYTHING EXCEPT FIG. 22 FIG. 1

CLUTCH ASSY.		
REF NO.	PART NO.	DESCRIPTION
1	172MM-052008	NUT M12X 1.25
2	172MM-A-052500	OUTER WHEEL,CLUTCH
3	172MM-052005	FLAT NUT M30X 1
4	172MM-A-052400	DRIVE DISC
5	172MM-A-052200	ABSORBER RUBBER
6	172MM-A-052600	CENTRI FUGAL BLOCK
7	172MM-A-052006	RETURN SPRING
8	172MM-A-052003	SIDE DISC
9	T896-1986-9	CIRCLIP
10	172MM-052310	ROLL BEARING 22X29X 18
11	T893.1-1986-28	CIRCLIP
12	1060902	BEARING
13	172MM-A-052300	DRIVEN WHEEL
14	172MM-A-052001	GUIDE ROUER
15	172MM-A-052104	DRIVEN WHEEL OIL SEAL
16	172MM-A-052100	MOVABLE DIVEN WHEEL
17	GB3452	O RING
18	172MM-A-052007	SEAL BUSH
19	172MM-A-052004	CLUTCH SPRING
20	172MM-A-052009	BUSH
21	172MM-A-052002	GUIDE PIN
22	172MM-B-053000	DRIVE BELT

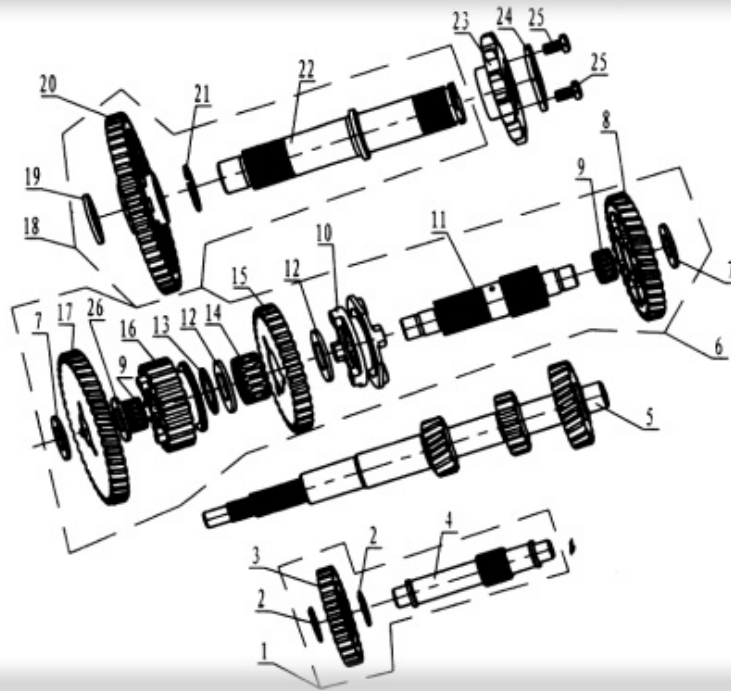
23 172MM-A-052007 REAR CLUTCH ASSY.

ELECTRIC STARTER ASSY.



ELECTRIC STARTER ASSY.			
REF NO.	PART NO.	DESCRIPTION	REGD NO.
1	172MM-090001	DOUBLE-GEAR AXLE	1
2	172MM-092000	DRIVEN GEAR	1
3	172MM-091000	DOUBLE-GEAR	1
4	172MM-090007	FIX PLATE	1
5	172MM-093000	START MOTOR	1
6	152MI-080013	FLANGE BOLT M6*22	2
7	172MM-090008	FLANGE BOLT M6*14	1

REDUCTION BOX ASSY(172MM-C)



REDUCTION BOX ASSY(172MM-C)				
REF NO.	PART NO.	DESCRIPTION	REGD NO.	
1	172MM-B-067000	TRANSITION GEAR ASSY	1	
2	GB/T894.1-1986 20	CIRCLIP	2	
3	172MM-B-067002	TRANSITION GEAR	1	
4	172MM-B-067001	TRANSITION GEAR SHAFT	1	
5	172MM-B-060001	CHIEF SHAFT	1	
6	172MM-B-062000	SECONDARY SHAFT ASSY	1	
7	172MM-B-062006	WASHER 15×28×2	2	
8	172MM-B-062002	DRIVEN GEAR	1	
9	NTN:K16×20×10	NEEDLE BEARING	2	
10	172MM-B-062009	GEAR SHIFTING BUSH	1	
11	172MM-B-062001	SECONDARY SHAFT	1	
12	172MM-B-062007	WASHER 24×33×2	2	
13	GB/T894.1-86-24	CIRCLIP	1	
14	K24×28×10	NEEDLE BEARING	1	
15	172MM-B-062003	DRIVEN GEAR, REVERSE	1	
16	172MM-B-062005	DRIVE GEAR, OUTPUT	1	
17	172MM-B-062004	DRIVEN GEAR, LOW SPEED	1	
18	172MM-C-063000	OUTPUT SHAFT ASSY	1	
19	172MM-C-063002	WASHER 20×33×2.5	1	
20	172MM-B-063005	OUTPUT DRIVEN GEAR	1	
21	CF188-061007	CIRCLIP 25	1	
22	172MM-C-063001	OUTPUT SHAFT	1	
23	172MM-C-060004	SPROCKET	1	
24	172MM-C-060005	PRESS PLATE SPROCKET	1	
25	172MM-C-060009	BOLT M6×12	2	
26	172MM-B-062008	WASHER 16×28×2	1	

GEAR BOX ASSY

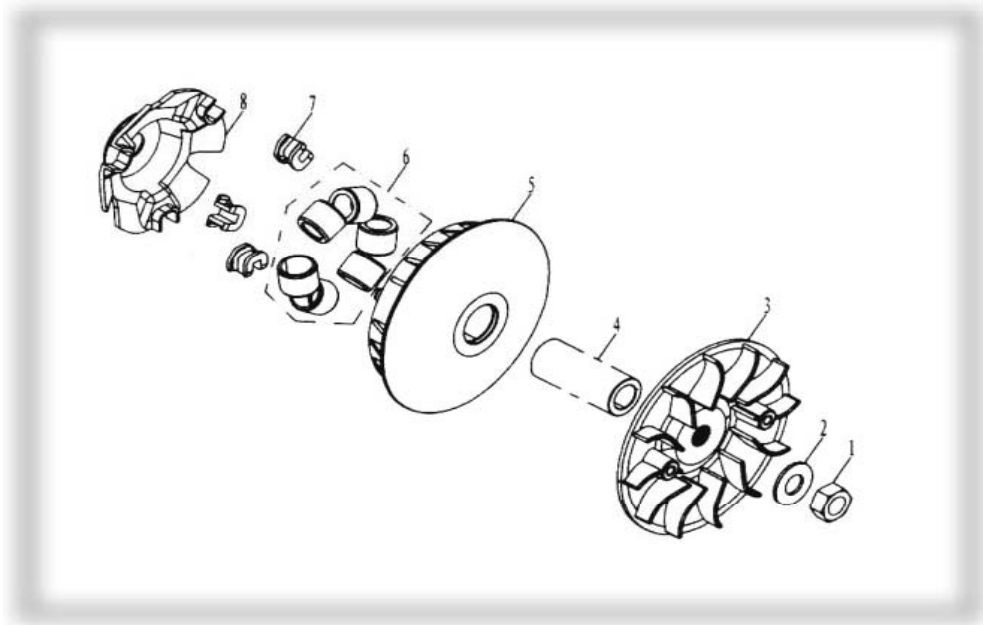
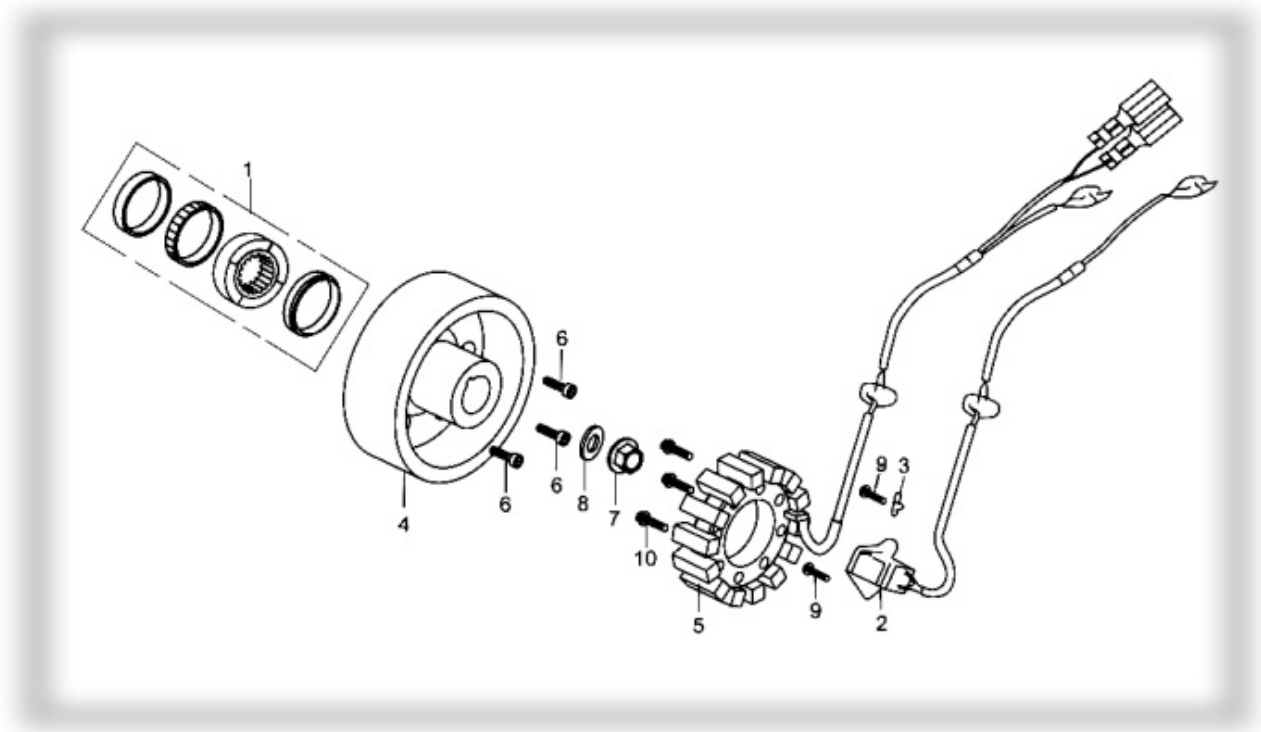


FIG. 9 IS EVERYTHING EXCEPT FIG. 1 AND 2

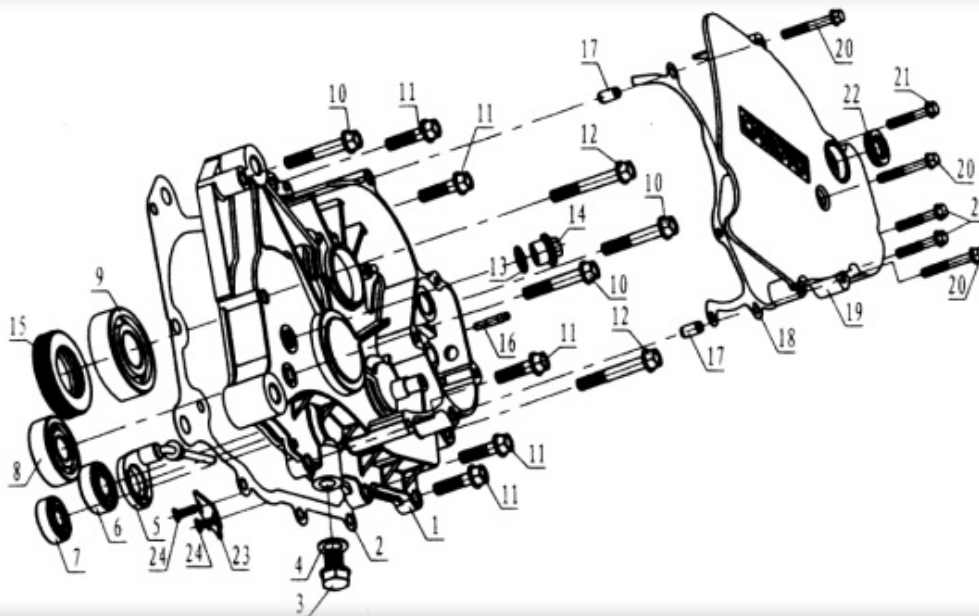
GEAR BOX ASSY		
REF NO	PART NO.	DESCRIPTION
1	172MM-051007	NUT M14X 1.5
2	172MM-051006	WASHER 14.5X30X2
3	172MM-A-051005	DRIVE WHEEL
4	172MM-A-051003	DRIVE WHEEL BUSH
5	172MM-A-051100	MOVABLE DRIVE WHEEL
6	172MM-A-051200	CENTRI FUGAL ROLLER
7	172MM-A-051004	SIDE BLOCK
8	172MM-A-051002	SLOPE PLATE
9	172MM-A-051101	FRONT CLUTCH ASSY.

MANGEO COMP.



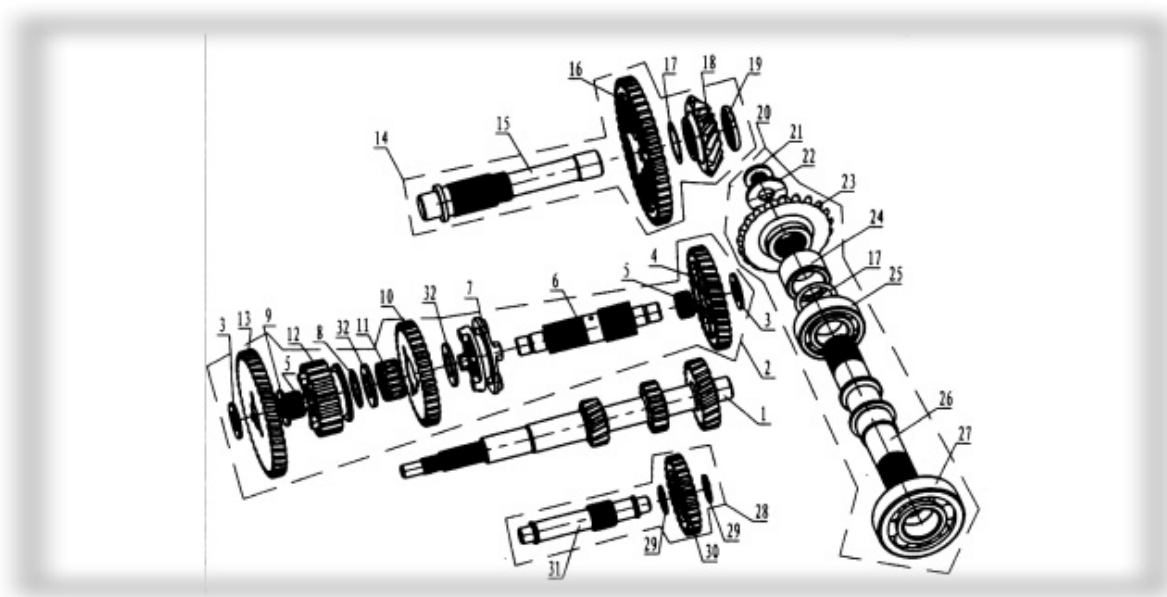
MANGEO COMP.			
REF NO.	PART NO.	DESCRIPTION	REGD NO.
1	172MM-094000	CLUTCH	1
2	172MM-033000	IGNITION COIL	1
3	172MM-013008	WIRE PLATE	1
4	172MM-031000	FLYWHEEL	1
5	172MM-032000	STATOR	1
6	GB/T70 1-2000	INNER HEX FLANGE BOLT M8x18	3
7	172MM-040001	NUT M16x1	1
8	172MM-040002	WASHER 16.3x30x2	1
9	152MI-030002	FLANGE BOLT M5x16	2
10	152MI-060012	FLANGE BOLT M6x30	3

GEAR BOX COVER ASSY(172MM-C)



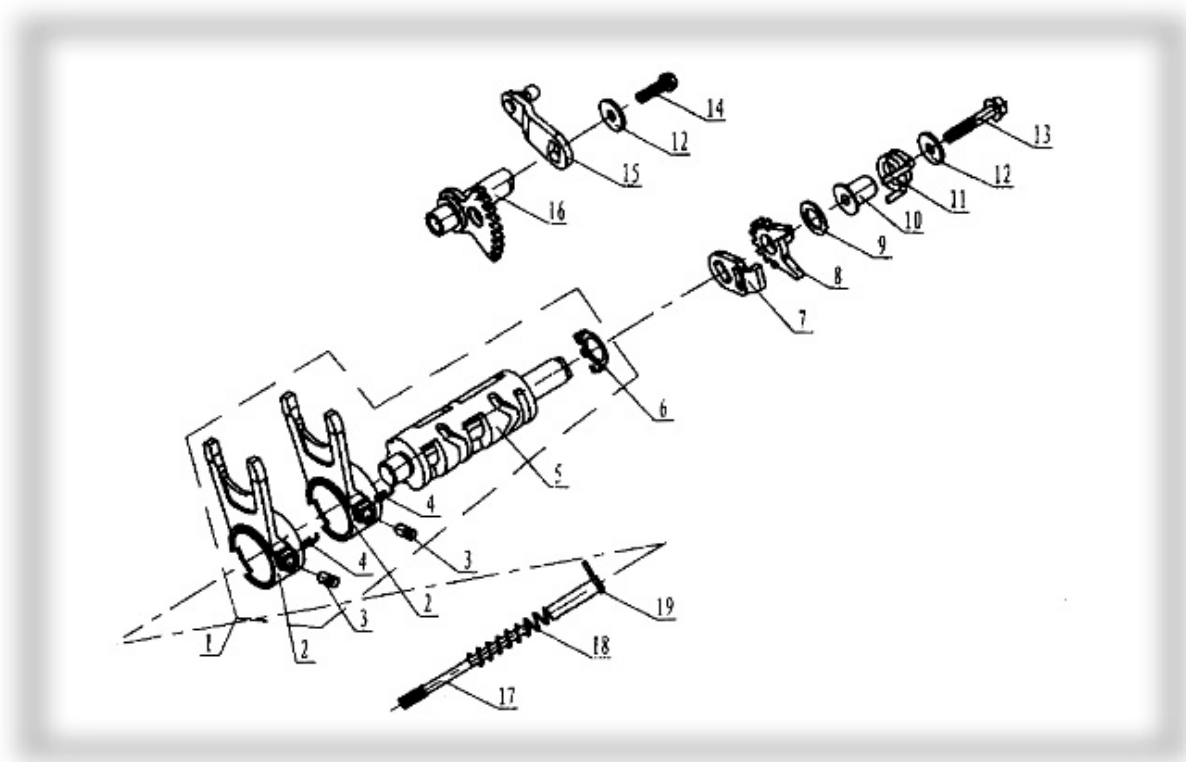
GEAR BOX COVER ASSY(172MM-C)			
REF NO.	PART NO.	DESCRIPTION	REGD NO.
1	172MM-C-060001	GEAR BOX COVER	1
2	172MM-C-060002	GASKET,GEAR BOX COVER	1
3	172MM-013005	OIL DRAINING BOLT M12×1.5	1
4	152MI-021014	WASHER 12	1
5	172MM-B-069000	GEAR INOICATOR	1
6	GB/T 276-1994 6202-RS	BEARING	1
7	GB/T 276-1994 6201	BEARING	1
8	GB/T 276-1994 6303	BEARING	1
9	GB/T 276-1994 6305-2RS	BEARING	1
10	172MM-B-011107	BEARING M8×48	3
11	172MM-B-011111	BEARING M8×30	5
12	IP52MI-A-011007	BEARING M8×55	2
13	CF188-332004	O RING 19×2.5	1
14	CF188-332003	OIL FILLING BOLT M20×1.5×12	1
15	172MM-C-060003	OIL SEAL 30×62×7	1
16	CF188-310028	CONNECTER,AIR HOSE	1
17	152MI-080008	DOWEL PIN φ8×14	2
18	172MM-C-060007	GASKET,SPROCKET COVER	1
19	172MM-C-060006	SPROCKET COVER	1
20	GB5787-86 M6x40-D.Cr	BOLT	3
21	152MI-080012	BOLT M6×32	3
22	CF188-065002	OIL SEAL SD15×25×5	1
23	172MM-B-011113	OIL SHIELDER	1
24	GB/T 819-2000	SCREW M4×12	2

REDUCTION BOX ASSY(172MM-B)



REDUCTION BOX ASSY(172MM-B)			
REF NO.	PART NO.	DESCRIPTION	REGD NO.
1	172MM-B-060001	CHIEF SHAFT	1
2	172MM-B-062000	SECONDARY SHAFT ASSY	1
3	172MM-B-062006	WASHER 15×28×2	2
4	172MM-B-062002	DIVEN GEAR	1
5	K16×20×10	NEDDLE BEARING	2
6	172MM-B-062001	SECONDARY SHAFT	1
7	172MM-B-062009	GEAR SHIFING BUSH	1
8	GB/T894.1-86-24	CIRCLIP	1
9	172MM-B-062008	WASHER 16×28×2	1
10	172MM-B-062003	DIVEN GEAR,REVERSE	1
11	K24×28×10	NEDDLE BEARING	1
12	172MM-B-062005	DRIVE GEAR,OUTPUT	1
13	172MM-B-062004	DRIVEN GEAR,LOW SPEED	1
14	172MM-B-063000	OUTPUT DRIVE SHAFT ASSY	1
15	172MM-B-063001	OUTPUT DRIVE SHAFT	1
16	172MM-B-063005	OUTPUT DRIVEN GEAFT	1
17	172MM-B-063002	ADJUSTING GASKET	IF NEED
18	172MM-B-063003	DRIVE CONE GEAR	1
19	172MM-B-063004	ROUND NUT M22×1	1
20	172MM-B-064000	DRIVEN SHAFT ASSY	1
21	172MM-B-064005	BOLT M12×20	1
22	172MM-B-064004	WASHER 12.5×31×3	1
23	172MM-B-064003	DRIVEN CONE GEAR	1
24	172MM-B-064002	DRIVEN SHAFT BUSH	1
25	GB/T276-1994-6205	BEARING 25x52x15	1
26	172MM-B-064001	DRIVEN SHAFT	1
27	172MM-041007	ROLL BEARING 28×68×18	1
28	172MM-B-067000	TRANSITION GEAR ASSY	1
29	GB/T894.1-1986 20	CIRCLIP	2
30	172MM-B-067002	TRANSITION GEAR	1
31	172MM-B-067001	TRANS ITION GEAR SHAFT	1
32	172MM-B-062007	WASHER 24×33×2	2

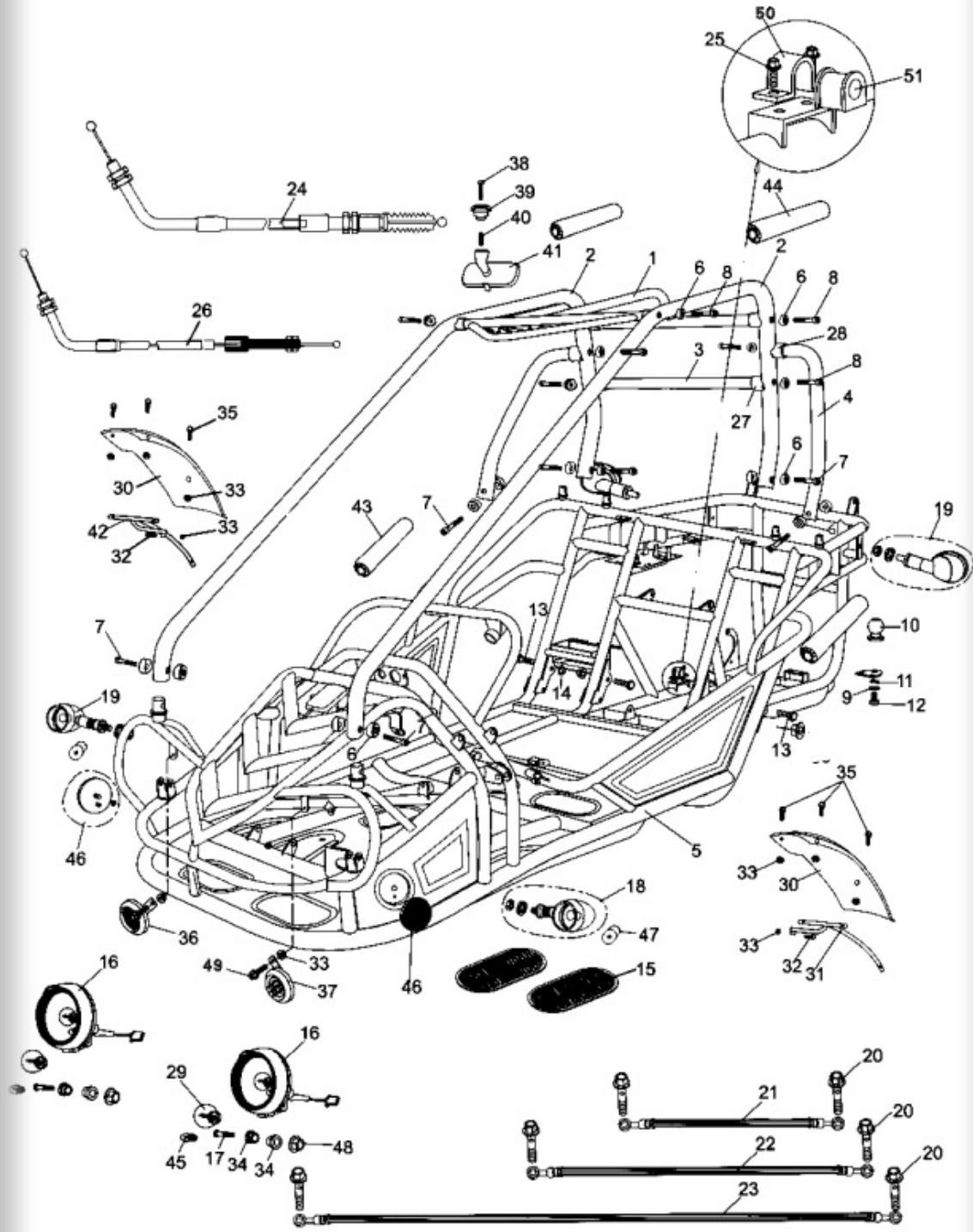
GEAR SHIEFTING SYS.



GEAR SHIEFTING SYS.				
REF NO.	PART NO.	DESCRIPTION	REGD NO.	
1	172MM-B-066000	GEAR SHIEFTING DRUM ASSY	1	
2	172MM-B-066002	GEAR SHIETING FORK	2	
3	172MM-B-066003	PIN	2	
4	172MM-B-066004	CIRCLIP	2	
5	172MM-B-066001	GEAR SHIEFTING DRUM	1	
6	172MM-B-066005	TOUCH PIECE,GEAR SHIEF	1	
7	CF188-065201	GASKET	1	
8	CF188-065203	DRIVENFAN GEAR	1	
9	CF188-065204	GASKET 13.5x22x1	1	
10	CF188-065202	FANG EAR SHAFT	1	
11	CF188-065204	SPRING	1	
12	CF188-065206	GASKET 6.6x20x2	2	
13	152MI-013008	BOLT M6×35	1	
14	152MI-023010	BOLT M6×20	1	
15	CF188-065300	ROCKER ASSY	1	
16	172MM-B-065100	WELDING PART DRIVE FAN GEAR	1	
	172MM-C-065100	WELDING PART DRIVE FAN GEAR	1	
17	172MM-B-066007	GEAR SHIETING SHAFT	1	
18	172MM-B-066009	SPRING	1	
19	172MM-B-066008	PRESS PLATT BUSH	1	

FIG.22

FRAME GROUP

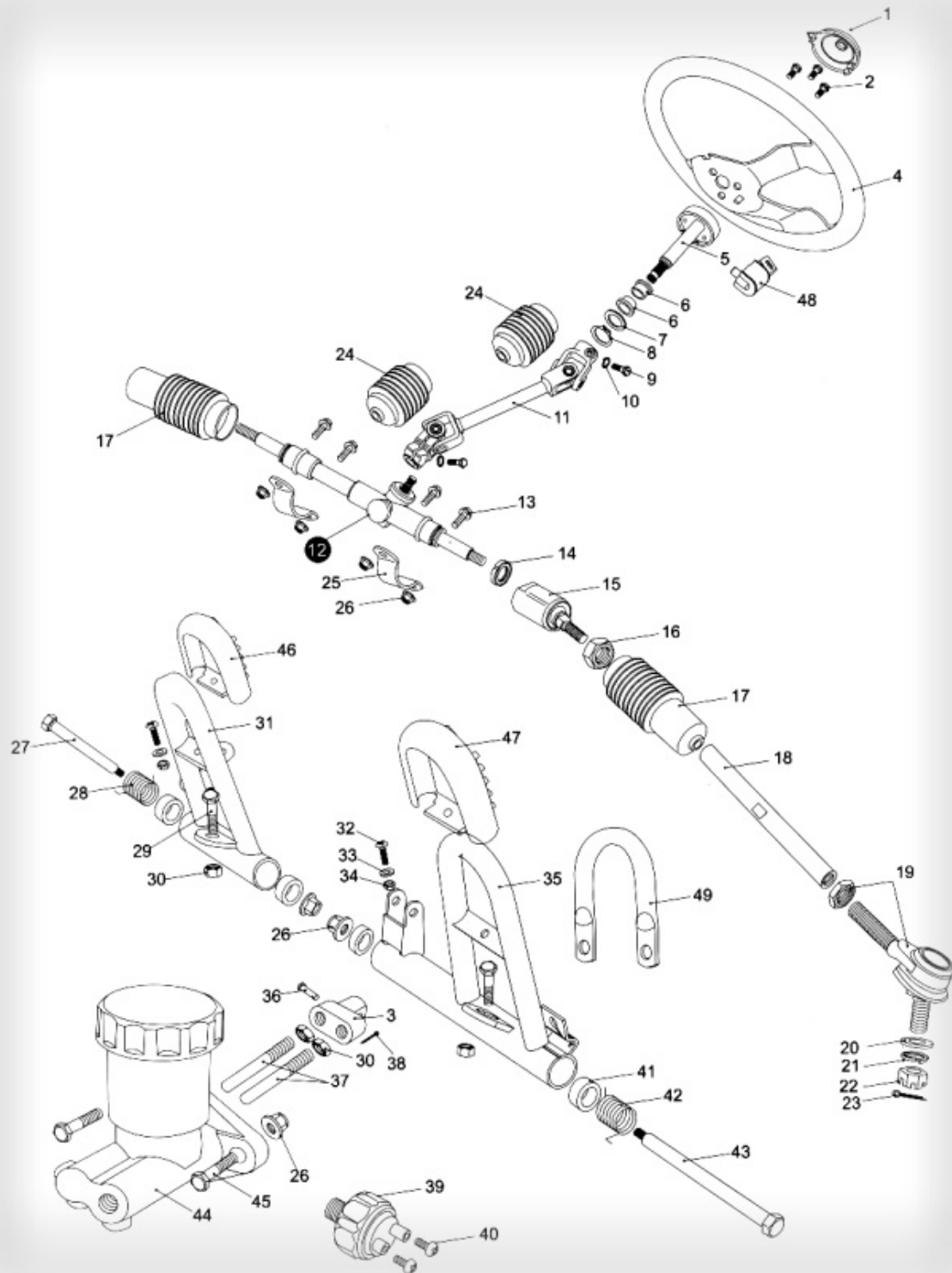


FRAME GROUP		
REF NO.	PART NO.	
1	6.000.061-BL	C.B.C.CROSS BAR FR B.S.BLACK
1	6.000.061-P	C.B.C.CROSS BAR FR B.S.PURPLE
1	6.000.061-B	C.B.C.CROSS BAR FR B.S.BLUE
1	6.000.061-R	C.B.C.CROSS BAR FR B.S.RED
1	6.000.061-G	C.B.C.CROSS BAR FR B.S.GREEN
1	6.000.061-S	C.B.C.CROSS BAR FR B.S.SILVER
2	8.170.034-250-BL	C.B.C.BAR CAGE B.S. BLACK
2	8.170.034-250-B	C.B.C.BAR CAGE B.S. BLUE
2	8.170.034-250-R	C.B.C.BAR CAGE B.S.RED
2	8.170.034-250-S	C.B.C.BAR CAGE B.S.SIVLER
3	8.080.033-BL	C.B.C.CROSS BAR RR B.S.BLACK
3	8.080.033-P	C.B.C.CROSS BAR RR B.S.PURPLE
3	8.080.033-B	C.B.C.CROSS BAR RR B.S.BLUE
3	8.080.033-R	C.B.C.CROSS BAR RR B.S.RED
3	8.080.033-G	C.B.C.CROSS BAR RR B.S.GREEN
3	8.080.033-S	C.B.C.CROSS BAR RR B.S.SIVER
6	7.010.049	R-WASHER
7	9.908.050N	SOCKET BOLT M8x1.25x50
8	9.908.055N	SOCKET BOLT M8x1.25x55
9	9.300.016	WASHER
10	2.200.001	TOW BALL
11	9.400.016	LOCK WASHER
12	9.101.625	BOLT M16x25
13	9.112.025	BOLT-WASHER M12x1.25x60
14	9.220.012	LOCKING FLANGE NUT M12x1.25
15	7.020.012	RUBER FOOT PLATE
16	6.000.104	HEADLIGHT UNIT
17	9.108.050	BOLT-WASHER M8x1.25x50
18	6.000.155	WINKER LIGHT ASSY.L.FR./R.RR.
19	6.000.156	WINKER LIGHTASSY.R.FR./L.RR.
20	9.700.004	BANJO BOLT M1 Ox24
21	6.000.089	BRAKE HOSE ASSY.L. 34-
22	6.000.090	BRAKE HOSE ASSY.R. 43-
23	6.000.230	BRAKE HOSE ASSY.RR. 80-
24	6.000.232	THROTTLE CABLE COMP.
25	9.106.012	BOLT M6x12
26	6.000.231	PARKING BRAKE CABLE COMP.
27	7.010.017	TUBE SEAT 35
28	7.010.016	TUBE SEAT 32
29	9.090.003	HEADLIGHT BULB 35W/35W/ 12V
30	7.010.034-SS	MATTE FRONT FENDER
31	6.100.067	STRUT MOUNTED FRONT FENDER BRACKET L.
32	9.100.640	BOLT M6x40

33	9.210.006	LOCKING FLANGE NUT M6
34	7.020.049	HEADLIGHT RUBBER MOUNT
35	9.106.014	BOLT-WASHER M6x14
36	6.000.135	HORN,H.
37	6.000.136	HORN L.
38	9.100.525	BOLT M5x25
39	8.010.086	REAR MIRROR MOUNT
40	8.040.005	REAR VIEW MIRROR SPRING
41	6.000.084	REAR MIRROR ASSY.
42	6.100.102	STRUT MOUNTED FRONT FENDER BRACKET R.
43	6.000.083	FOAM PADDING-1
44	6.000.116	FOAM PADDING-2
45	9.000.004-A	POSITION LIGHT BULB 3W 12V-AMBER
46	6.000.114	FRONT REFLECTOR
47	9.090.006	WINKER BULB 10W 12V
48	9.220.008	LOCKING FLANGE NUT M8
49	9.106.012	BOLT M6x12
50	2.100.002	SWAY BAR BRACE
51	2.100.001	SWAY BAR BRACE BUSHING
58	8.170.035-BL	RIGHT C.B.C.BAR, SIDE BLACK
58	8.170.035-S	RIGHT C.B.C.BAR, SIDE SILVER
58	8.170.035-B	RIGHT C.B.C.BAR, SIDE BLUE
4	8.171.035-BL	LEFT C.B.C.BAR, SIDE.BLACK
4	8.171.035-S	LEFT C.B.C.BAR, SIDE SILVER
4	8.171.035-B	LEFT C.B.C.BAR, SIDE BLUE
53	7.090.061	250 REAR SKID PLATE
52	6.100.061	CANOPY COVER
57	7.090.060	FRONT SKID PLATE

FIG.23

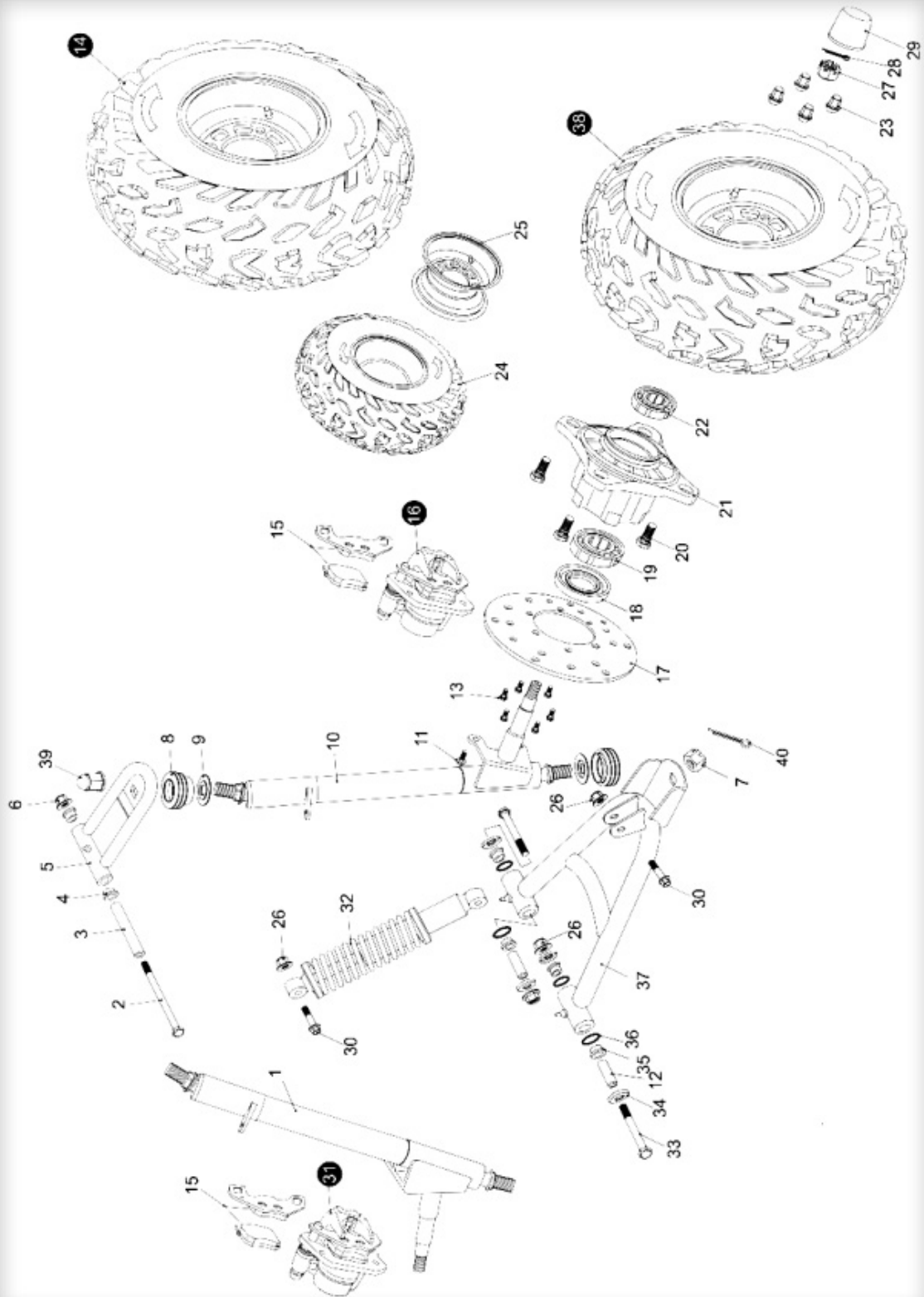
STEERING SHAFT ASSY.



STEERING SHAFT ASSY.		
REF NO.	PART NO.	DESCRIPTION
1	7.010.041	STEERING BOLT COVER
2	9.100.612	BOLT STRAP M6x12
3	8.030.024	SPINDLE BRACKET
4	7.020.038	STEERING WHEEL
5	6.000.122	STEERING SHAFT
6	7.010.026	STEERING SHAFT BUSH
7	9.700.020	SPECIAL WASHER
8	9.700.120	CIRCLIP 4)20
9	9.100.825	BOLT M8x25
10	9.400.008	LOCK WASHER
11	6.000.093-250	STEERING KNUCKLE
12	4.000.008-250	STEERING GEAR 45 DEGREE ANGLE
13	9.108.025	BOLT-WASHER M8x1.25x25
14	9.900.016	ROUND NUT M16x1.5
15	4.000.008	STEERING BALL JOINT
16	9.200.010	NUT M10
17	7.020.002	BALL JOINT DUST COVER
18	8.010.157-250	TIE ROD
19	6.000.062	ROD END
20	9.300.010	FLAT WASHER
21	9.400.010	LOCK WASHER 4.10
22	9.800.010	CASTLE NUT M10
23	9.500.215	COTTER PIN
24	7.020.066	STEERING KNUCKLE DUST COVER
25	8.020.014	STEERING GEAR BRACKET
26	9.220.008	LOCKING FLANGE NUT M8
27	9.708.145	THROTTLE PEDAL BOLT M8x1.25x145
28	8.040.001	THROTTLE PEDAL RETURN SPRING L.
29	9.108.040	BOLT-WASHER M8x1.25x40
30	9.200.008	NUT M8
31	4.000.016	THROTTLE PEDAL COMP.
32	9.600.515	PAN SCREW M5x15
33	9.300.005	FLAT WASHER
34	9.210.005	NYLON LOCK NUT M5
35	4.000.015	BRAKE PEDAL COMP.
36	9.700.624	PIN
37	8.010.081	SPINDLE PIN
38	9.500.212	COTTER PIN 12x12
39	6.000.063	BRAKE LAMP SWITCH ASSY.
40	9.600.306	PAN SCREW M3x6
41	7.010.004	PEDAL BUSH
42	8.040.007	BRAKE PEDAL RETURN SPRING,R.

FIG.24

FRONT SUSPENSION ARM ASSY.

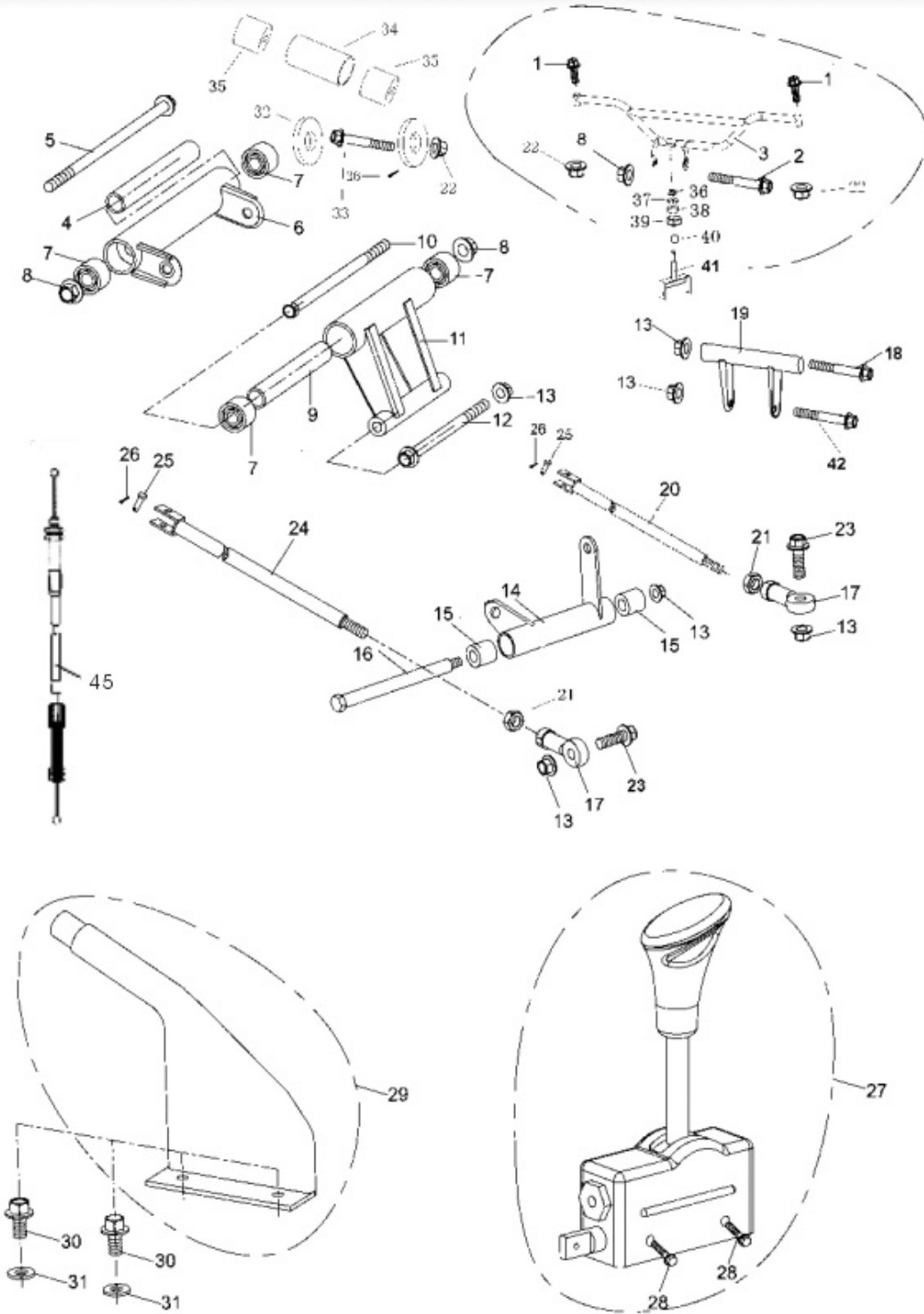


FRONT SUSPENSION ARM ASSY.

REF NO.	PART NO.	
1	2.000.028-B	STRUT AND SPINDLE SUPPORT R.-BLACK
1	2.000.028-SS	STRUT AND SPINDLE SUPPORT R. With Bracket-BLACK
2	9.108.105	BOLT-WASHER M8x1.25x105
3	8.010.015	UPPER SUSPENSION ARM COLLAR
4	7.010.003	UPPER SUSPENSION ARM BUSH
5	4.000.004	UPPER SUSPENSION ARM
6	9.220.008	LOCKING FLANGE NUT M8
7	9.800.012	CASTLE NUT M12
8	7.020.025	BALL HEAD DUST SEAL
9	8.020.053	BALL HEAD SPACER
10	2.000.027-B	STRUT AND SPINDLE SUPPORT L.-BLACK
10	2.000.027-SS	STRUT AND SPINDLE SUPPORT L with Bracket.-BLACK
11	9.908.104	BOLT STRAP M8x14
12	8.010.014	LOWER SUSPENSION ARM COLLAR
13	9.906.012	BOLT STRAP M6x12
14	6.000.141B	FR.WHEELASSY. R.20x7-8
15	7.020.016	FR.BRAKE CALIPER PAD SET.
16	6.000.028	FRONT BRAKE CALIPER L.
17	8.010.054	BRAKE DISC.
18	9.040.002	DUST SEAL 47x25-7
19	9.030.002-Z	BEARING 6204-Z
20	9.710.031	TIRE BOLT M10x1.25x31
21	8.010.085	WHEEL HUB
22	9.030.010-Z	BEARING 6202-Z
23	8.010.118	CAP LUG NUT M10
24	7.020.050	TIRE FR.20x7-8
25	6.000.142B	RIM,FR.
26	9.220.010	LOCKING FLANGE NUT M10
27	9.800.014	CASTLE NUT M14
28	9.500.220	COTTER PIN
29	7.020.039	HUB COVER
30	9.110.040	BOLT-WASHER M10x1.25x40
31	6.000.095	FRONT BRAKE CALIPER R.
32	6.000.325	CUSHION ASSY.,FR.L=325
33	9.110.080	BOLT-WASHER M10x1.25x80
34	8.020.034	LOWER SUSPENSION ARM DUST CAP
35	7.010.002	LOWER SUSPENSION ARM BUSH
36	9.040.001	O-RING
37	4.000.023	LOWER SUSPENSION ARM ASSY.
38	6.000.140B	FR.WHEELASSY. L.20x7-8
39	8.010.140	ACORN NUT M12
40	9.500.200	COTTER PIN

FIG.25

FULL SHIFTING ASSY.

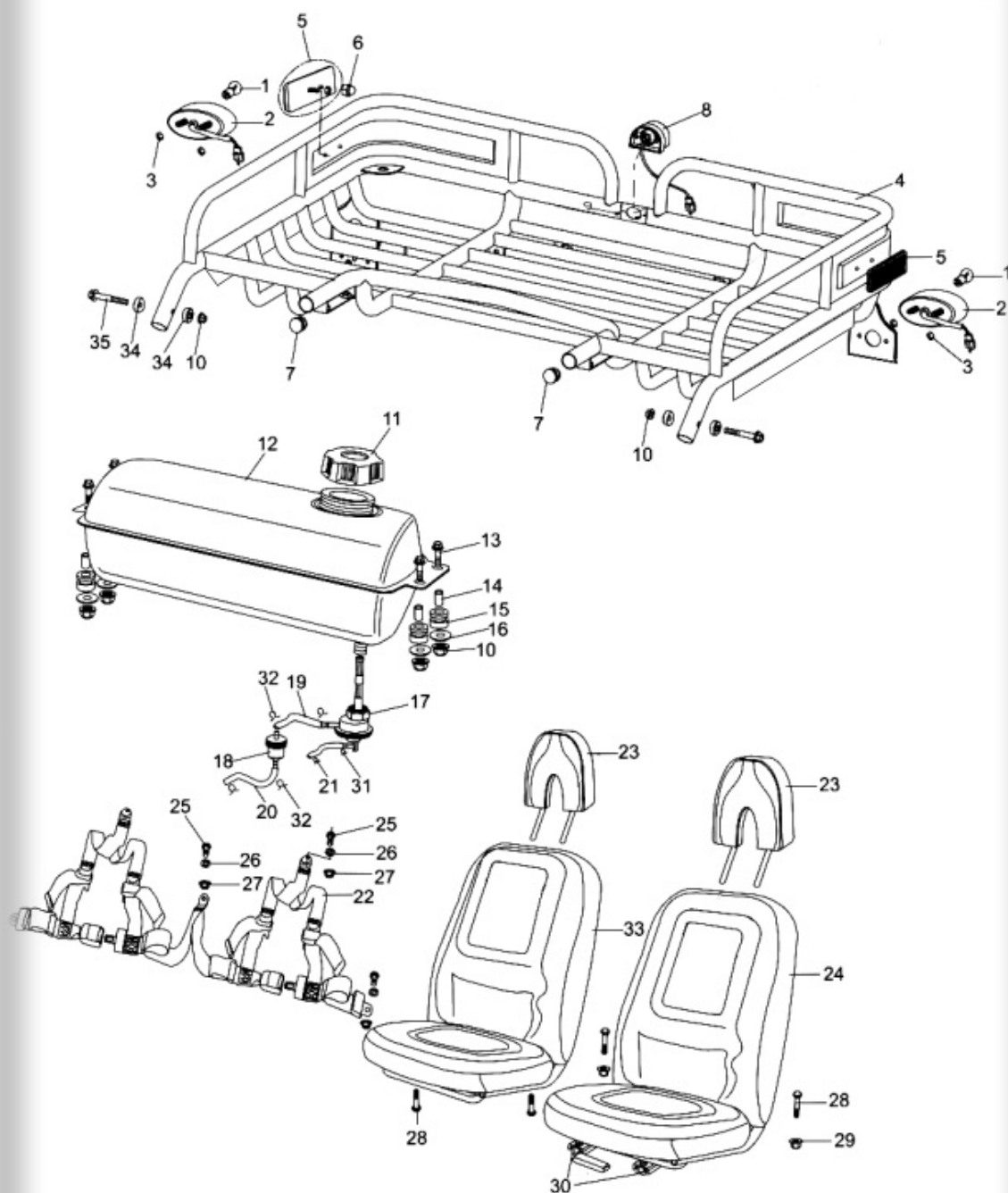


FULL SHIFTING ASSY.

REF NO.	PART NO.	DESCRIPTION
1	9.908.055N	BOLT-WASHER M8x55
2	9.111.100	BOLT-WASHER M12x121
3	6.100.240	GEAR BOX SUSPENSION ARM
4	8.010.168	COLLAR #1
5	9.112.230	BOLT-WASHER M12x1.25x230
6	6.000.239	PIVOT ARM SHIFT C
7	7.020.068	CUSHION BUSH
8	9.220.012	LOCKING FLANGE NUT M12
9	8.010.167	COLLAR #2
10	9.112.190	BOLT-WASHER M12x1.25x190
11	6.000.238	PIVOT ARM SHIFT B
12	9.110.200	BOLT-WASHER M10x1.25x200
13	9.220.010	LOCKING FLANGE NUT M10
14	6.100.237	PIVOT ARM SHIFT A
15	7.010.004	PEDAL BUSH
16	9.108.145	BOLT M8x1.25x145
17	6.000.235	RIGHT TURN CLEVIS ROD HEAD
18	9.110.030	BOLT-WASHER M10x30
19	6.100.001	PIVOT ARMSHIFTD
20	6.100.236	SHORT CLEVIS ROD
21	9.200.010-L	LEFT TURN NUT M10
22	9.220.008	LOCKING FLANGE NUT M8x1.25
23	9.110.040	BOLT-WASHER M10x40
24	6.000.233	LONG CLEVIS ROD
25	9.700.513	PIN_05x13.5
26	9.500.212	COTTER PIN
27	4.000.031	SHIFTER HOUSE ASSY.
28	9.100.612	BOLT M6x12
29	6.000.258	PARKING BRAKE ASSY.
30	9.108.020	BOLT-WASHER M8x20
31	9.300.008	WASHER 48
32	9.300.010	WASHER 4 10
33	9.110.080	BOLT M10x1.25x80
34	8.110.043	COLLAR
35	7.120.001	CUSHION BUSH
36	9.220.014	LOCKING FLANGE NUT M14x1.5
37	8.110.042	WASHER ENGINE MOUNT LINK
38	7.120.001	CUSHION ENGINE MOUNT LINK
39	8.120.045	SPACER ENGINE MOUNT LINK
40	8.110.041	COLLAR ENGINE MOUNT LINK
41	6.1000.026	ENGINE MOUNT BOLT PLATE
42	9.110.091	BOLT M10x1.25x91
43	7.010.004	PEDAL BUSH
44	4.000.031-250	SHIFTER RELEASE CABLE

FIG.26

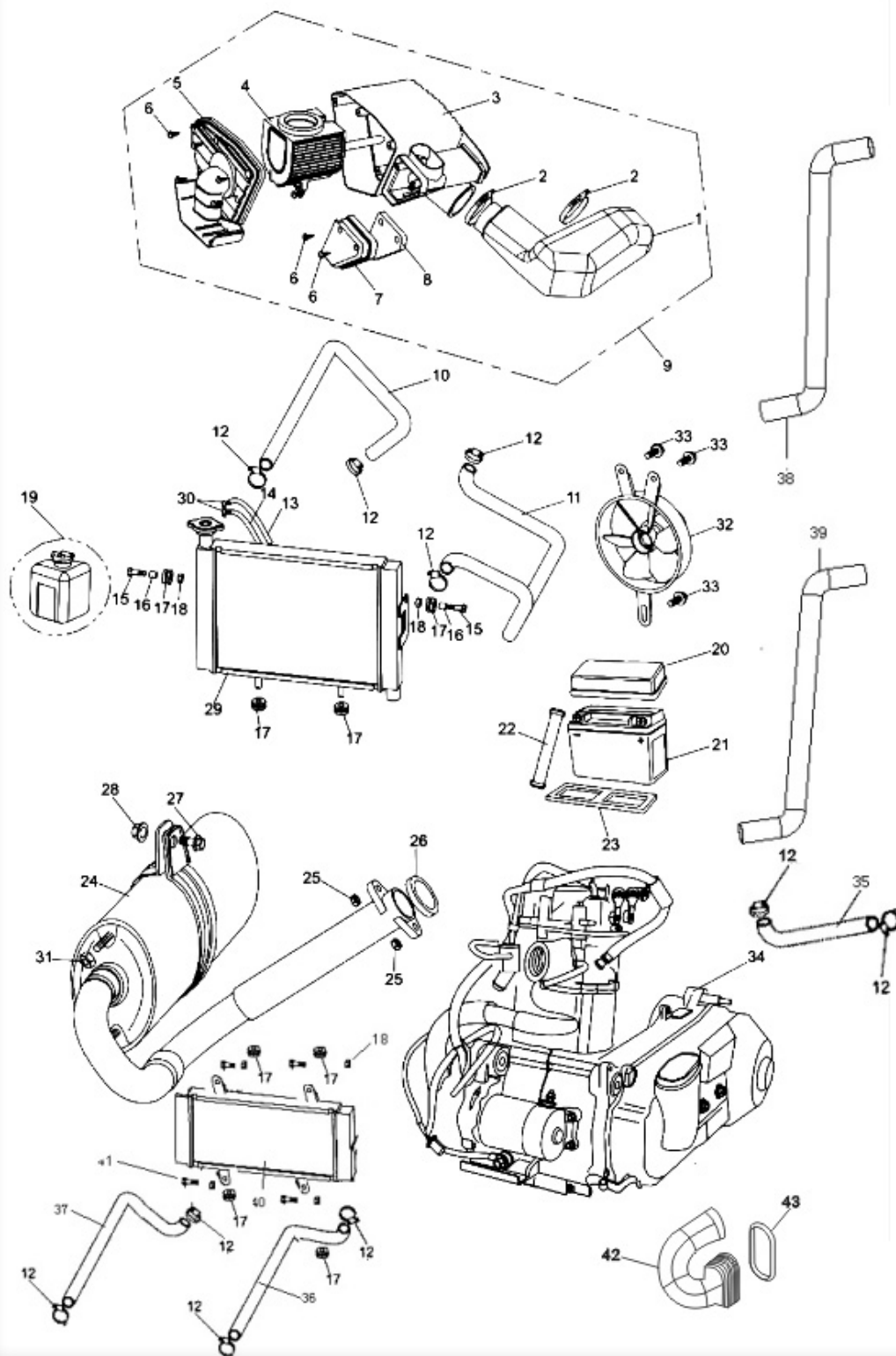
REAR CARGO RACK/SEAT/BELT



REAR CARGO RACK/SEAT/BELT		
REF NS.	PART NO.	
1	9.090.005	TAIL LIGHT BULB 21 W/5W 12V
2	6.000.144	TAIL LIGHT
3	9.210.006	LOCK NYLON NUT M6
4	2.100.046-B	REAR CARGO RACK B.S.(BLUE)
4	2.100.046-S	REAR CARGO RACK B.S.(SILVER)
4	2.100.046-BL	REAR CARGO RACK B.S.BLACK
5	6.000.111	REAR SIDE REFLECTOR
6	8.010.171	LUG NUT
7	7.020.032	TUBE COVER
8	6.000.241	LICENSE LIGHT ASSY.
9	9.804.003	SCREW 8T3.5x10
10	9.220.008	LOCK FLANGE NUT M8
11	6.000.146	FUEL TANK CAP COMP
12	4.000.029-C	FUEL TANK COMP. B.S.CARBON
12	4.000.029-O	FUEL TANK COMP. B.S.ORANGE
12	4.000.029-R	FUEL TANK COMP. B.S.RED
12	4.000.029-B	FUEL TANK COMP. B.S.BLUE
12	4.000.029-P	FUEL TANK COMP. PURPLE
12	4.000.029-BL	FUEL TANK COMP. B.S.BLACK
12	4.000.029-G	FUEL TANK COMP. B.S.GREEN
13	9.108.025	BOLT-WASHER M8x1.25x25
14	8.010.034	TANK COMP.COLLAR
15	7.020.005	RUBBER MOUNT
16	9.300.008	FLAT WASHER <u>4,8</u>
17	6.000.046-250	FUEL AUTO COCK ASSY.-ON/OFF VALVE
18	6.000.056	GAS FILTER
19	7.020.030	TUBE COMP.FUEL#1
20	7.020.029	TUBE COMP.FUEL#2
21	7.020.031	TUBE COMP.VA000M
22	6.000.146	SAFETY BELT
23	6.000.262	HEAD-REST
24	6.000.264	SEAT COMP.L.
25	9.700.001	SPECIAL BOLT M7/16 <u>x</u> 28
26	9.700.002	BELT WASHER
27	9.700.003	NUT BELT M7/A6'
28	9.900.840	BOLT STRAP M8x1.25x40
29	9.220.008	LOCK FLANGE NUT M8
30	6.000.057	SEAT RAIL SET
31	8.040.008	VACUUM TUBE
32	8.040.009	FUEL TUBE
33	6.000.263	SEAT COMP.R.
34	8.010.047	R-WASHER
35	9.908.066	BOLT STRAP M8x1.25x65
36	4.000.036	MAIN SPEAKER
37	4.000.037	AUXILIARY SPEAKER

FIG.27

AIR CLEANER/RADIATOR/BATTERY/MUFFLER ASSY.



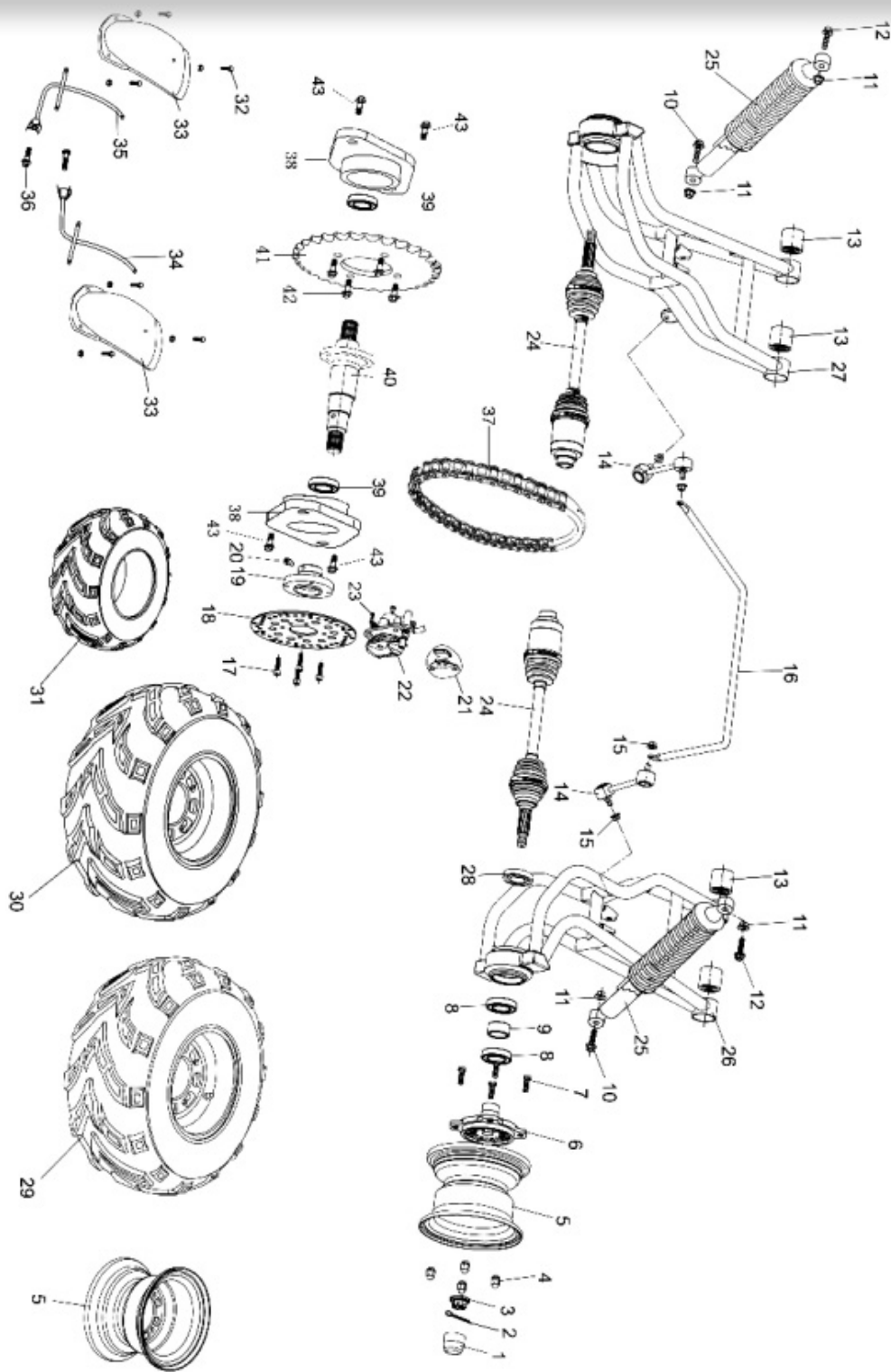
AIR CLEAN GE/RADIATOR/ BATTERY/ MUFFLER ASSY.

REF NO.	PART NO.	DESCRIPTION
1	7.090.035	AIR CLEANER DUCT
2	7.090.036	AIR CLEANER CLAMP
3	7.190.037	AIR CLEANER CASE COMP.
4	7.090.038	AIR CLEANER ELEMENT
5	7.190.039	AIR CLEANER COVER
6	9.805.003	TAPPING SCREW M5x16
7	7.090.040	AIR CLEANER GAUZE COVER
8	7.090.041	AIR CLEANER ELEMENT GAUZE
9	4.100.032	AIR CLEANER ASSY.
10	7.090.042	TUBE COMP.WATER 1#
11	7.190.043	TUBE COMP.WATER 2#
12	7.090.044	TUBE CLAMP
13	7.090.045	TUBE COMP.WATER 3#
14	7.090.046	TUBE COMP.WATER4#
15	9.100.830	BOLT M8x30x1.25
16	7.090.047	RADIATOR COMP.COLLAR
17	7.020.069	RUBBER MOUNT
18	9.200.008	NUT M8
19	6.000.248	COLLANT TANK
20	7.010.028	BATTERY COVER
21	6.000.085	BATTERY YTx12-BS
22	7.021.023	BATTERY BAND
23	7.020.020	BATTERY LOWER
24	7.090.049	MUFFLER COMP.EX.
25	9.040.027	MUFFLER JOINT NUT M6
26	7.090.050	EX.PIPE GASKET
27	9.110.030	BOLT-WASHER M10x1.25x30
28	9.020.010	NUT M10
29	4.000.033	RADIATOR COMP.
30	7.090.051	TUBE CLAMP
31	9.200.006	NUT M6
32	6.100.249	FAN COMP.
33	7.090.052	BOLT
34	2.100.047	250CC ENGINE
35	7.090.053	TUBE COMP WATER 5#
36	7.090.054	TUBE COMP WATER 6#
37	7.090.055	TUBE COMP WATER 7#
38	7.090.056	TUBE COMP WATER 1#
39	7.090.057	TUBE COMP WATER 2#
40	4.000.034	RADIATOR.COMP
41	9.100.625	BOLT M6x25
42	6.100.162	BOOT.SIDE CASE
43	8.120.055	CLAMP.BOOT
44	8.020.166-25	250CC MUFFLER CLAMP

45	4.000.035	RADIATOR CAP
46	7.090.048	RADIATOR TEMP SENSOR
47	4.000.028-25	OIL COOLER
48	6.000.217-25	SHORT OIL COOLER LINE
49	6.000.218-25	LONG OIL COOLER LINE

FIG.28

REAR SUSPENSION ASSY.

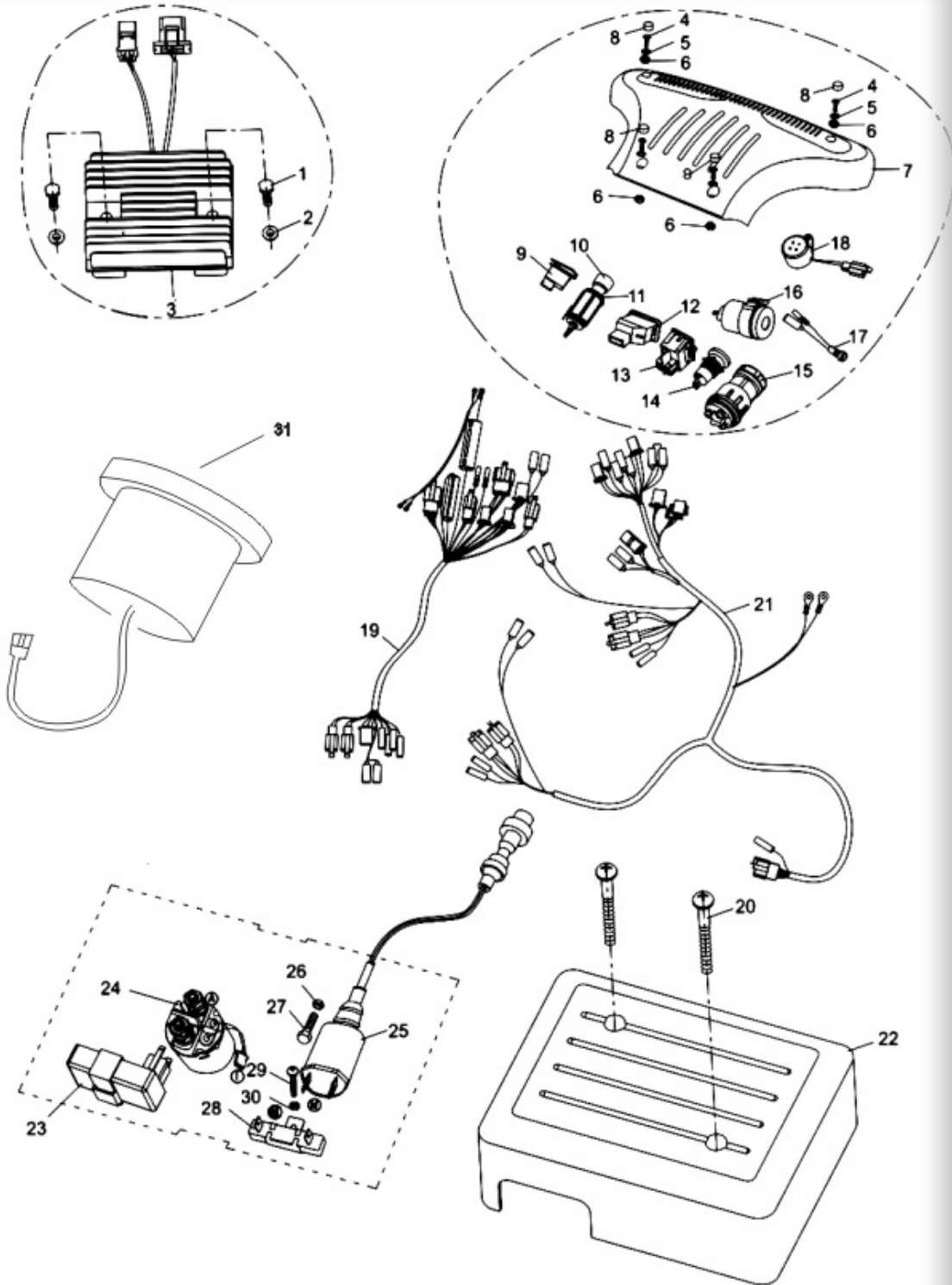


REAR SUSPENSION ASSY.		
REF NO.	PART NO.	
1	7.020.039	RR.HUB COVER
2	9.500.430	COTTER PIN <u>44x30</u>
3	9.800.018	CASTE NUT M18
4	8.010.118	LUG NUT CAP M10
5	6.000.143B	RIM RR.
6	8.010.169-250	REAR WHEEL HUB
7	9.710.031	TIRE BOLT M10x1.25x31
8	9.030.007-250	BEARING 6007
9	8.010.170-250	COLLAR
10	9.112.055	BOLT-WASHER M12x1.25x55
11	9.220.012	LOCKING FLANGE NUT M12x1.25x50
12	9.112.050	BOLT-WASHER M12x1.25x50
13	7.020.008	SWING ARM CUSHION BUSH
14	6.000.242	BALANCE LEVER LINK ROD
15	9.220.010	LOCKING FLANGE NUT M10x1.25
16	6.000.243	BALANCE LEVER
17	9.108.020	BOLT-WASHER M8x20x1.25
18	8.010.053-SS	RR.BRAKE DISC. W/SPEEDO MAGNET HOLE
19	8.030.036	BRAKE DISC.BASE
20	9.101.018	BOLT M10x1.5x18
21	7.020.022-250	RR.BRAKE PAD SET.
22	6.000.229-250	CALIPER HYDRAULICAL BRAKE,RR.
23	9.908.014	ALLEN HEAD BOLT M8x1.25x16
24	6.000.244	CV/SHAFT JOINT
25	6.000.245	CUSHION ASSY.,RR.L=480
26	6.000.247	SWING ARM COMP.R.
27	6.000.246	SWING ARM COMP.L.
28	9.040.011	DUST SEAL
29	6.000.148B	REAR WHEEL ASSY.,R.
30	6.000.147B	REAR WHEEL ASSY.,L.
31	7.020.052	TIRE.RR.22x10-10
32	9.906.016	BOLT-WASHER M6x16
33	7.010.064	FENDER,RR.
34	6.100.068	REAR FENDER BRACKET.R.
35	6.100.101	REAR FENDER BRACKET L.
36	9.108.045	BOLT-WASHER M8x1.25x45
37	9.170.002	CHAIN O-RING DRIVE
38	8.130.033	HOUSING COMP.RRAXLE BRG
39	9.030.007-250	BEARING E6007
40	8.110.057	AXLE
41	8.110.077	REAR SPROCKET
42	9.112.030	BOLT-WASHER
43	9.112.025	BOLT-WASHER
44	6.000.244-C	REAR AXLE CIRCLIP
45	6.200.068	REAR FENDER BRACKET R. 2 BOLT MOUNT

46	6.200.101	REAR FENDER BRACKET L. 2 BOLT MOUNT
47	7.190.010	PROTECTOR DISC
48	7.190.011	SENSOR BRACKET
49	6.000.268	SENSOR
50	7.050.001	MAGNET
51	9.60.308	SCREW M3X8
52	6.000.244-C	CIRCLIP
53	7.190.014	LARGE CLAMP FOR CV BOOT
54	7.190.015	CV BOOT
55	7.190.017	SMALL CLAMP FOR CV BOOT

FIG.29

WIRE HARNESS/ELECTRICAL



WIRE HARNESS/ELECTRICAL		
REF NO.	PART NO.	DESCRIPTION
1	9.100.630	BOLT M6x30
2	9.200.006	NUT M6
3	6.000.250	REGULATE RECTIFIER COMP.
4	9.600.615	PAN SCREW M6x15
5	9.300.006	WASHER
6	9.210.005	LOCKING NYLON NUT M6
7	7.110.038	SWITCH PANEL COVER
8	7.010.061	BOLT COVER
9	6.000.079	HORN SWITCH
10	7.020.051	POWER OUTLET COVER
11	6.000.087	POWER OUTLET
12	6.000.113	WINKER SWITCH UNIT
13	6.000.160	DIMMET SWITCH UNIT
14	6.000.159	ENGINE STOP BUTTON
15	6.000.158	IGNITION START SWITCH
16	6.000.153	RELAY COMP.AUDIBLE PILOT &WINKER
17	6.000.251	TEMPERATURE BUZZER
18	6.000.252	HORN RECTIFIER
19	6.100.253	SOCKET COMP.
20	9.600.655	PAN SCREW M6x55
21	6.100.254	WIRE HARNESS
22	7.010.029	ELECTRIC ASSY.COVER
23	6.000.255	C.D.I.UNIT COMP.
24	6.000.035	STARTING RELAY
25	6.000.257	IGNITION COIL COMP.
26	9.210.006	LOCK NYLON NUT M5
27	9.600.525	PAN SCREW M5x25
28	6.000.038	RESISTOR COMP. 10W 10
29	9.600.410	PAN SCREW M4x10
30	9.210.004	LOCK NYLON NUT M4
31	4.000.038-250	SPEEDOMTER WITH HI/LO
32	6.000.499	AUDIO CABLE FROM DASH TO SPEAKER
33	6.000.500	AUDIO CABLE FROM INPUT DEVICE TO DASH
34	6.000.501	AUDIO CABLE FROM SPEAKER TO SPEAKER

