

# StingRay Go-Kart Kit

## Parts Book



Hammerhead Off-Road

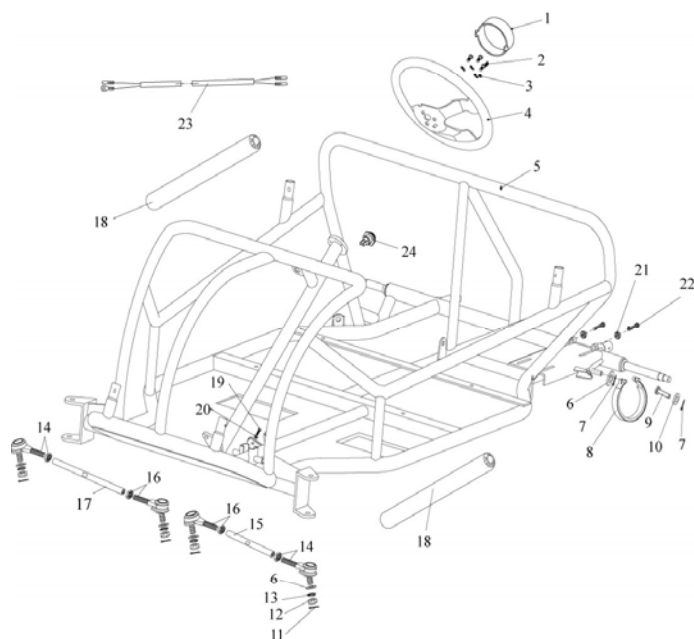


Fig. No.	Parts No.	Description	Qty	
F1-1	15.001.001	STEERING COVER	1	
F1-2	15.001.002	BOLT, M6X12	3	
F1-3	15.001.003	SPRING WASHER 6	3	
F1-4	15.001.004	STEERING WHEEL	1	
F1-5	15.001.005	FRAME	1	
F1-6	15.001.006	WASHER 10	5	
F1-7	15.001.007	COTTER PIN	2	
F1-8	15.001.008	BRAKE BAND	1	
F1-9	15.001.009	PIN, 8X35	1	
F1-10	15.001.010	WASHER 8	1	
F1-11	15.001.011	COTTER PING, 1.6X18	4	
F1-12	15.001.012	CASTLE NUT, FLANGE	4	
F1-13	15.001.013	SPRING WASHER 10	4	
F1-14	15.001.014	TIE ROD(RH ROTATION)	2	
F1-15	15.001.015	TIE ROD, LH	1	
F1-16	15.001.016	TIE ROD(LH ROTATION)	2	
F1-17	15.001.017	TIE ROD, RH	1	
F1-18	15.001.018	PADDING, FRAME	2	
F1-19	15.001.019	BOLT, M6X25	1	
F1-20	15.001.020	BOLT, M6	1	
F1-21	15.001.021	NUT, M8	2	
F1-22	15.001.022	BOLT, M8X50	2	
F1-23	15.001.023	WIRING HARNESS	1	
F1-24	15.001.024	ENGINE STOP SWITCH	1	

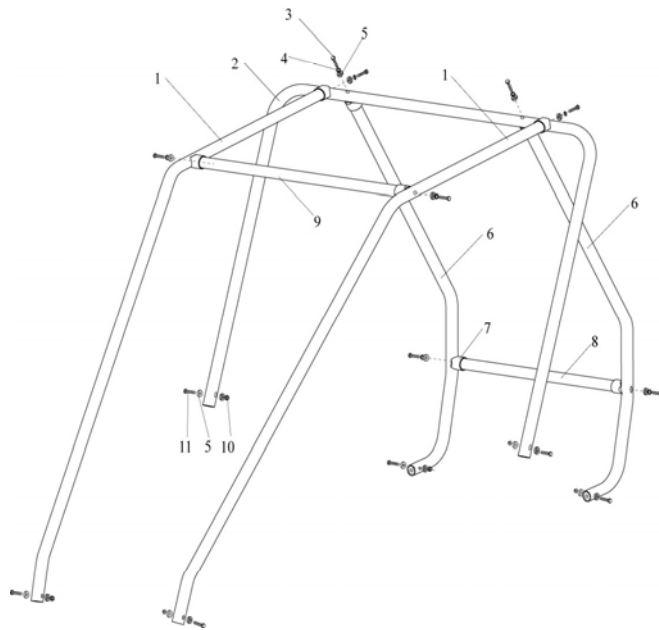


Fig. No.	Parts No.	Description	Qty
F2-1	15.002.001	GUARD	2
F2-2	15.002.002	GUARD, SIDE RAIL	1
F2-3	15.002.003	BOLT, M8X55	8
F2-4	15.002.004	SPRING WASHER, 8	8
F2-5	15.002.005	WASHER SPHERICAL	20
F2-6	15.002.006	SAFTY GUARD, RR.	2
F2-7	15.002.007	TUBE COLLAR, Ø28	8
F2-8	15.002.008	GUARD, RR.	1
F2-9	15.002.009	GUARD, FR	1
F2-10	15.002.010	NUT M8 (GB6187)	6
F2-11	15.002.011	BOLT, M8X50	6

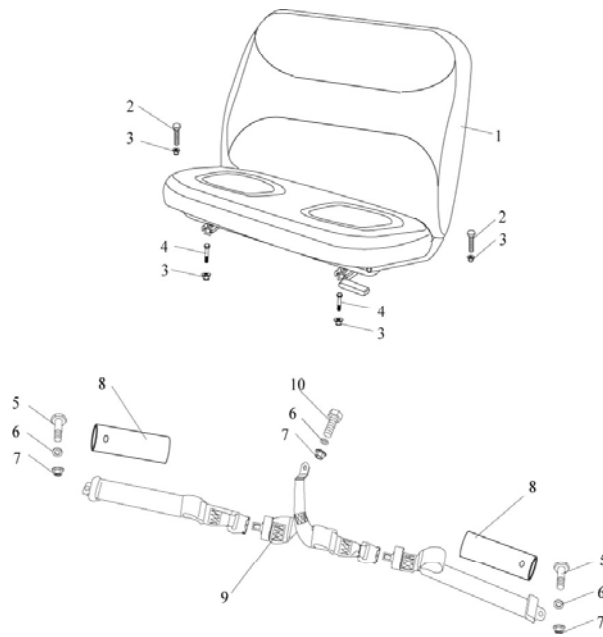


Fig. No.	Parts No.	Description	Qty	
F3-1	15.003.001	SEAT	1	
F3-2	15.003.002	BOLT, M8X45	2	
F3-3	15.003.003	NUT, M8	4	
F3-4	15.003.004	BOLT, M8X16	2	
F3-5	15.003.005	BOLT, M10X1.25X25	2	
F3-6	15.003.006	WASHER 10	3	
F3-7	15.003.007	NUT, M10X1.25	3	
F3-8	15.003.008	COVER, SEATBELT	2	
F3-9	15.003.009	SEATBELT	1	
F3-10	15.003.010	BOLT, M10X1.25X20	1	

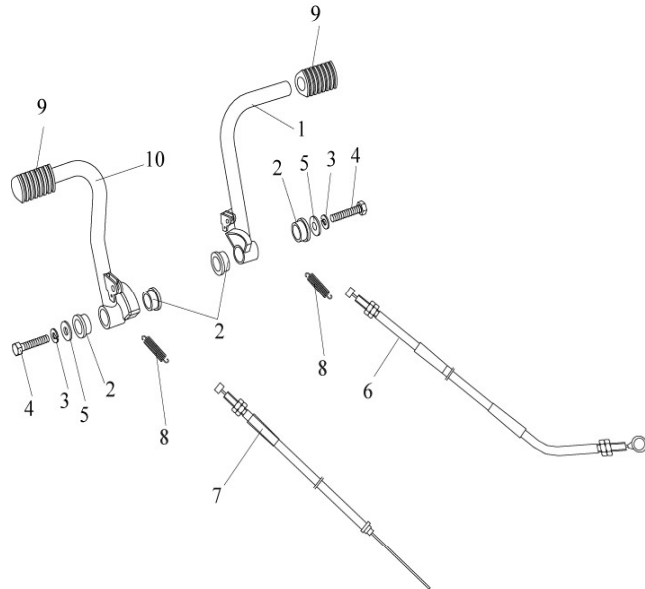


Fig. No.	Parts No.	Description	Qty	
F4-1	15.004.001	GAS PEDAL	1	
F4-2	15.004.002	NYLON BUSHING	4	
F4-3	15.004.003	SPRING WASHER, 8	2	
F4-4	15.004.004	BOLT, M8X16	2	
F4-5	15.004.005	WASHER 8	2	
F4-6	15.004.006	THROTTLE CABLE	1	
F4-7	15.004.007	BRAKE CABLE	1	
F4-8	15.004.008	RR. BRAKE RETURN SPRING	2	
F4-9	15.004.009	RUBBER COVER, PEDAL	2	
F4-10	15.004.010	BRAKE PEDAL	1	

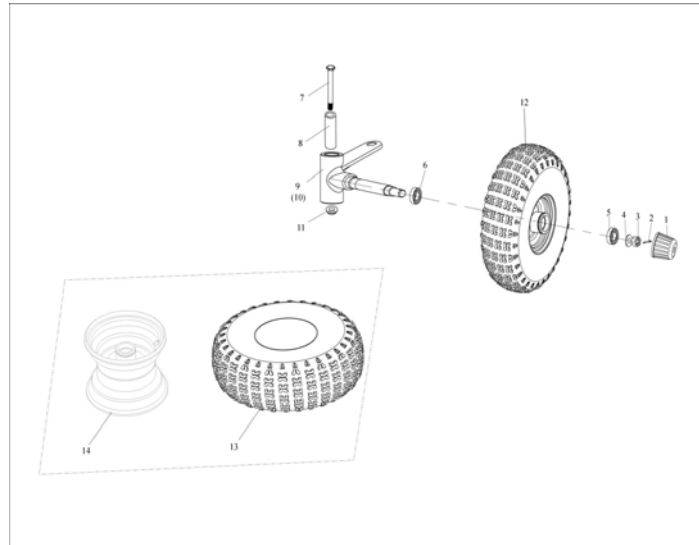


Fig. No.	Parts No.	Description	Qty
F5-1	15.005.001	CAP, HUB	2
F5-2	15.005.002	COTTER PIN, 2.5X30	2
F5-3	15.005.003	CASTLE NUT, FLANGE M12X1.25	2
F5-4	15.005.004	WASHER	2
F5-5	15.005.005	BEARING 6002	2
F5-6	15.005.006	BEARING 6003	2
F5-7	15.005.007	BOLT, M12X1.25X105	2
F5-8	15.005.008	BUSHING, FR. WHEEL	2
F5-9	15.005.009	KNUCKLE SUPPORT, FR. WHEEL, RH	1
F5-10	15.005.010	KNUCKLE SUPPORT, FR. WHEEL, LH	1
F5-11	15.005.011	NUT, M12X1.25	2
F5-12	15.005.012	FR. WHEEL COMP.	2
F5-13	15.005.013	TIRE, 15X6-6	2
F5-14	15.005.014	FR. RIM	2

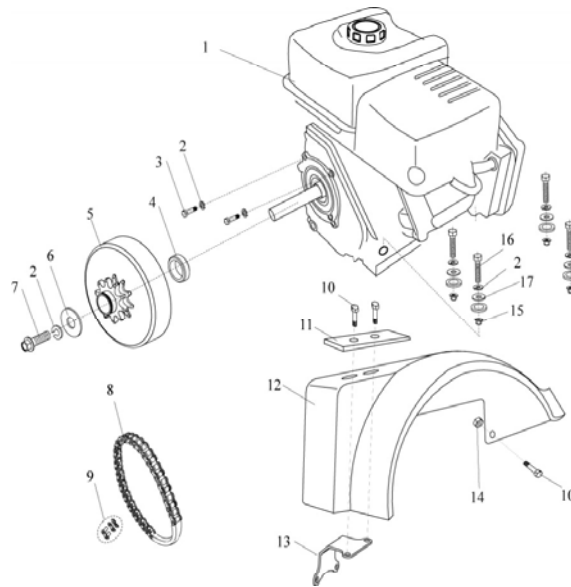


Fig. No.	Parts No.	Description	Qty
F6-1			1
F6-2	15.006.002	SPRING WASHER, 8	7
F6-3	15.006.003	BOLT	2
F6-4	15.006.004	COLLAR, CLUTCH	1
F6-5	15.006.005	CLUTCH	1
F6-6	15.006.006	WASHER, 8	1
F6-7	15.006.007	BOLT	1
F6-8	15.006.008	DRIVE CHAIN	1
F6-9	15.006.009	MASTER CHAIN	1
F6-10	15.006.010	BOLT, M6X12	3
F6-11	15.006.011	RUBBER PAD	1
F6-12	15.006.012	GUARD, DRIVE CHAIN	1
F6-13	15.006.013	FR. BRACKET, CHAIN GUARD	1
F6-14	15.006.014	NUT, M6	1
F6-15	15.006.015	HEX NUT M8(GB6170)	4
F6-16	15.006.016	BOLT, M8X40	4
F6-17	15.006.017	WASHER 8	8

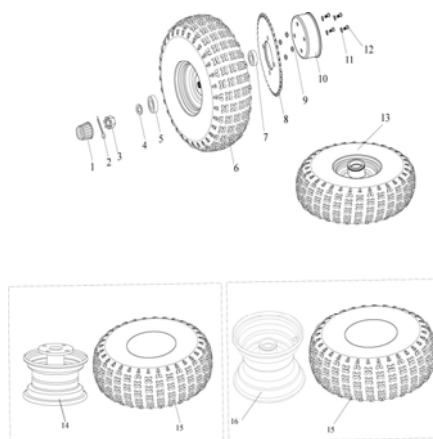


Fig. No.	Parts No.	Description	Qty	
F7-1	15.007.001	CAP, HUB	2	
F7-2	15.007.002	COTTER PIN, 2.5X30	2	
F7-3	15.007.003	CASTLE NUT, M12X1.25	2	
F7-4	15.007.004	WASHER	2	
F7-5	15.007.005	BEARING 6002	2	
F7-6	15.007.006	RR. WHEEL COMP. LH	1	
F7-7	15.007.007	BEARING 6003	2	
F7-8	15.007.008	RR. SPROCKET	1	
F7-9	15.007.009	BUSHING, RR. HUB	4	
F7-10	15.007.010	RR. HUB	1	
F7-11	15.007.011	SPRING WASHER 10	4	
F7-12	15.007.012	BOLT, M10×1.25×25	4	
F7-13	15.007.013	RR. RIM, LH(SAME AS FR. RIM)	1	
F7-14	15.007.014	RR. RIM, LH	1	
F7-15	15.007.015	TIRE, 15X6-6	2	
F7-16	15.007.016	RR. RIM, RH(SAME AS FR. RIM)	1	