

# Hammerhead Rave 150 (HH150)

## Operator's Manual

Read Manual before Operating



# Hammerhead Off-Road Warranty Policy

## Limited Warranty for Dune Buggies Only

Should warranty service be required on your unit during the warranty period, please contact your nearest authorized dealer for repairs.

### IMPORTANT!

***ALL UNITS MUST BE REGISTERED WITHIN 14 DAYS OF PURCHASE OR WARRANTY IS VOID.*** To register your product a copy of the Warranty Registration Card, Buyer Safety Agreement, and sales receipt must be forwarded to Hammerhead Off-Road. Your dealer, with your assistance, will complete and forward these items to Hammerhead Off-Road. A copy of the Warranty Registration Card and Buyer Safety Agreement is attached. It is your responsibility to confirm with your dealer within 14 days of purchase that your product has been registered. If you are unable to confirm with your dealer within 14 days of purchase that your product has been registered please contact Hammerhead Off-Road within 14 days of purchase or your warranty will be void.

### GENERAL WARRANTY POLICY

Labor Warranty is covered for the first 90 days (THREE MONTHS) from the end consumer's date of purchase. Most parts covered under your warranty, except for the frame and engine, are covered for 30 or 90 days. Not all parts are covered. Contact your dealer for details or questions about a specific part. Warranty Parts are covered according to the schedule below from the end consumer's date of purchase. **All warranty paperwork must be received within 14 days of repair.**

### WARRANTY PARTS COVERAGE

Warranty starts from the date of purchase by end consumer:

FRAME:	1 year
ENGINE:	180 days
CARBURETOR:	90 days
MUFFLER:	90 days
A-ARM, SPINDLES, AXLES:	90 days
ELECTRONICS:	90 days
BATTERY:	30 days
SPEAKERS:	30 days
SPEEDOMETER:	30 days
TIRES & WHEELS:	30 days
FENDERS:	30 days
BRAKES:	30 days
CLUTCH:	30 days
SEATS:	30 days

### WHAT PARTS ARE NOT COVERED?

**GENERAL EXCLUSION:** The warranty does not cover consumable and normal wear and tear items such as, but not limited to, throttle cables, brake cables, chains, bikini tops, fasteners, air filters, brake pads, tires, oil changes, and/or problems occurring due to a lack of scheduled maintenance or consumer abuse. Modification to the vehicle, including the use of performance parts or non-original parts, will void the warranty in its entirety, unless express written approval stating that the warranty will not be voided is obtained from Hammerhead. Defective parts are

subject to recall by Hammerhead Off-Road upon failure and are required to be held by the dealer for 30 days from the time of the initial repair date.

The warranty does not cover damage or faults caused by misuse, negligence, alterations, accidents or any abnormal use including the use of non genuine parts, renting or leasing, competition or racing. This warranty does not cover loss of use of the unit or loss of time, or inconvenience.

**NOTICE:** All warranties are voided if the vehicle has been altered for use in racing or competition, rented, used under abnormal conditions, or subject to abuse, misuse, neglect or improper maintenance. Hammerhead Off-Road is not liable for any damage claim or liability claim, personal or otherwise resulting from operation of the vehicle in any way. All warranty parts will be shipped using UPS or Fed Ex ground ONLY. If the warranty part needs to be shipped 2<sup>nd</sup> day air or shipped overnight, the ordering dealership will be responsible for all shipping fees.

**NOTICE:** Hammerhead Off-Road reserves the right to change product specifications, designs, and standard equipment without notice and without incurring obligation. These vehicles are not designed or manufactured for racing or use on rental tracks, public streets, public roads, highways, paved surfaces, or right-of-ways. Always wear an approved helmet and eye protection when riding. Always secure loose clothing and long hair. Always utilize seatbelts. Please read the operators manual before usage and go over the Buyer Safety Agreement.

## **FAQ's:**

### **1. FOR WHAT REASONS CAN MY WARRANTY CLAIM BE DISPUTED OR DENIED?**

Warranty can be denied because of an out of warranty date, the unit was not a Hammerhead Off-Road unit or the Warranty Registration Card was not submitted to Hammerhead Off-Road within 14 days of purchase. The warranty does not apply to any part, which in opinion of seller was defective because of improper maintenance, improper assembly, alterations, abuse, negligence, or accident. The warranty does not cover loss of use of the seller vehicle, loss of time, inconvenience, or any other consequential damage which includes, but is not limited to, loss or damage to person or property or any expense of returning any damaged units to the seller, distributor, or its authorized dealer. Also, see above.

### **2. DOES HAMMERHEAD OFF-ROAD OFFER AN EXTENDED WARRANTY?**

No, Hammerhead Off-Road does not offer any type of extended warranty.

### **3. IS MY KART STILL UNDER WARRANTY IF I HAVE OWNED IT FOR 1 YEAR BUT PUT ONLY 6 HOURS OF DRIVING TIME ON IT?**

Warranty is based on the exact date of purchase, not based on how many hours it has been used.

|

# Hammerhead Off-Road Warranty Registration Form

## Registration Terms & Conditions:

In order to activate the warranty, please follow the instructions below:

- 1) Make a copy of the Bill of Sale
- 2) Make a copy of Pre-Delivery Checklist
- 3) Make a copy of Buyer-Safety Agreement
- 4) Fill out warranty card and send with all above documents to:

### Hammerhead Off-Road

Attn: Warranty Registration  
1200 Lakeside Parkway Ste. 325  
Flower Mound, TX 75028

Or, Fax to 214-513-1738

Or, ON-LINE at [www.hammerheadoffroad.com](http://www.hammerheadoffroad.com) under dealer's only section

Hammerhead Off-Road Warranty Registration Card	
(Must be sent in with a copy of sales receipt and Buyers Safety Agreement)	
VIN# _____	Model: _____
Dealer Name: _____	
Dealer Address: _____	
City: _____	State: _____ Zip: _____
Customer Name: _____	
Customer Address: _____	
Customer City: _____	State: _____
Customer Phone: _____	Email: _____
Date of Purchase: _____	
I Certify that all information provided is true and correct to the best of my knowledge. I understand the exceptions and limitations of the warranty coverage.	
Customer Signature: _____	Date: _____

## **Hammerhead Buyers Safety Agreement (1/2)**

- \_\_\_\_\_ Always read the owner's manual carefully before riding and follow the operating procedures described in the owner's manual.
- \_\_\_\_\_ Pay close attention to all warnings contained in the manual and on all labels.
- \_\_\_\_\_ These vehicles are designed for riders of ages 5 through 8 for 50cc, 9 through 15 for 80cc, 16 and older for 150cc, 18 and older for 250cc, 400cc, 500cc.
- \_\_\_\_\_ Both the parent and the child must fully understand everything in the owners manual before riding.
- \_\_\_\_\_ Always wear a helmet, face shield, boots, gloves, and protective clothing while riding.
- \_\_\_\_\_ Beginners should receive training from a certified instructor.
- \_\_\_\_\_ It is illegal to ride this vehicle on public roads or highways.
- \_\_\_\_\_ Do not allow your child to ride without supervision.
- \_\_\_\_\_ Do not ride under the influence of drugs or alcohol. They can affect your judgment and slow your reaction time.
- \_\_\_\_\_ Always maintain a safe distance between your vehicle and vehicles around you.
- \_\_\_\_\_ Never ride this vehicle unless it has been properly adjusted and maintained.
- \_\_\_\_\_ Never run the engine in closed areas. The exhaust gas contains poisonous carbon monoxide.
- \_\_\_\_\_ Do not touch any part of the engine, muffler, or the exhaust system during or immediately after operation of the vehicle.
- \_\_\_\_\_ Always check for obstacles before operating in a new area.
- \_\_\_\_\_ It is highly recommended that this vehicle should not be driven at night or during dark periods
- \_\_\_\_\_ Never attempt to operate over large obstacles, such as large rocks, or fallen trees.  
Always follow proper procedures when operating over obstacles as described in this manual.

## Hammerhead Buyers Safety Agreement (2/2)

- \_\_\_\_\_ Always be careful when skidding or sliding. On extremely slippery surfaces such as ice, go slow and be very cautious in order to reduce the chance of skidding or sliding out of control.
- \_\_\_\_\_ Never do wheelies, jumps or any stunts.
- \_\_\_\_\_ Never operate the vehicle in fast flowing water. Remember that wet brakes may reduce your stopping ability. Test your brakes after leaving the water. If necessary, apply those several times to let friction dry out the linings.
- \_\_\_\_\_ Always use the size and type of tires specified in this manual. Always maintain proper tire pressure as described in this manual.
- \_\_\_\_\_ All modifications to this vehicle should be made by a qualified mechanic. Modification to the vehicle, including the use of performance parts or non-original parts, will void the warranty in its entirety, unless express written approval stating that the warranty will not be voided is obtained from Hammerhead.
- \_\_\_\_\_ When transporting the machine in another vehicle, be sure that it is kept upright and that the fuel cock is in the "off" position. Otherwise, fuel may leak out of the carburetor or the fuel tank.
- \_\_\_\_\_ Always follow the break-in-period as described in the owner's manual. Not following the break-in period will void the engine warranty.
- \_\_\_\_\_ Always clean the air filter as described in the owner's manual. Improper maintenance of the air filter will void the engine warranty.

Failure to follow all warnings and unsupervised or irresponsible operation can cause serious injury or death. **By initialing each item on the above checklist, I have indicated my complete understanding of these points, and I acknowledge my responsibilities regarding the contents. I also agree to explain the points on this checklist to anyone besides myself who will be operating the vehicle now and/or in the future.**

\_\_\_\_\_  
**Dealer's Signature**

\_\_\_\_\_  
**Buyer's Signature**

\_\_\_\_\_  
**Print Store Name**

\_\_\_\_\_  
**Print Buyer's Name**

\_\_\_\_\_  
**Date**

\_\_\_\_\_  
**Date**

\_\_\_\_\_  
**VIN Number**

\_\_\_\_\_  
**Model**

# **WARNING!**

This vehicle is designed for rider

**OVER 16 Years Old**

THIS VEHICLE IS SOLD FOR OFF-ROAD USE ONLY. BEFORE OPERATING THIS VEHICLE, PLEASE READ ALL THE INSTRUCTIONS FOR SAFE ASSEMBLY AND OPERATION AS WELL AS THE INSTRUCTION GOVERNING THE ENGINE AND OTHER PORTIONS OF THE VEHICLE. PAY CLOSE ATTENTION TO ALL CAUTION AND WARNING LABELS ON THE VEHICLE

# Contents

Limited Warranty Policy .....	4
Warranty Registration .....	5
Operating Instructions .....	6
Pre-Ride Inspection .....	10
Driving Safety Tips.....	11
Service Instructions .....	13
VEHICLE OPERATING CONTROLS .....	14
OPERATING CONTROLS .....	17
PERIODIC MAINTENANCE SCHEDULE .....	18
SERVICE INSTRUCTIONS .....	19
GENERAL SPECIFICATIONS.....	21



## Limited Warranty Policy

### Hammerhead Rave 150

FRAME - The Frame and related components are warranted by Hammerhead Off-Road and are applied to any part found to be defective due to material and/or workmanship when inspected at the factory of Hammerhead Off-Road will, at its' option, repair or replace defective parts to the original purchaser at no charge .

The Warranty periods are as follows from date of purchase:

A. Frame for 90 days, Void if :

1. Frame is broken or bent due to abuse (underside scraped abusively).
2. Wheels are bent or broken due to impact.
3. Spindles are bent due to impact.
4. Paint is worn off of rear bumper indicating extra rider.
5. Axles are bent out of ordinary position either horizontally or vertically.
6. Non-factory altering of engine or it's components.

B. Bearings and sprocket for 30 days.

C. Clutch for 30 days against breakage of its parts. No warranty is applied for wear of clutch shoes or clutch bearings due to service.

D. Throttle Cable, Brake cable, Brake Band, Chain, Tires, Seat, Fasteners, and other components are not warranted because due to their normal service, they are subject to excessive wear and abuse.

All Warranties are voided if the vehicle has been altered for use in racing or competition, rented, used under abnormal conditions, or subject to abuse, misuse, neglect, or improper maintenance.

Hammerhead Off-Road is not liable for any damage claim or liability claim, personal or otherwise resulting from operation of this vehicle in any way.

## Warranty Registration

IN ORDER TO ACTIVATE YOUR WARRANTY, YOU MUST FILL OUT BELOW WARRANTY REGISTRATION CARD AND MAIL TO HAMMERHEAD OFF-ROAD WITHIN 30 DAYS OF PURCHASE, OR YOUR WARRANTY WILL BE VOID.

FILL IN ALL BELOW FIELDS AND MAIL IT TO:  
Please include copy of your sales receipt.

ATTN: WARRANTY REGISTRATION  
HAMMERHEAD OFF-ROAD  
1200 Lakeside Parkway #325  
Flower Mound, TX 75028

Warranty Registration Card:

Product Name: Stingray Dominator

Purchase Date: \_\_\_\_\_

Place Of Purchase: \_\_\_\_\_

VIN Number: \_\_\_\_\_

Customer Name: \_\_\_\_\_

Customer Address:

\_\_\_\_\_  
\_\_\_\_\_  
\_\_\_\_\_

Customer Phone: \_\_\_\_\_

## Operating Instructions

- a. Before starting the engine, make sure that the driver is seated properly in the Kart with the seat belt latched.
- b. Testing the kart in an Open space at the beginning to learn how to start, turn and stop.
- c. Operate the Kart slowly until you are familiar with it.
- d. The turn radius of this kart is small and agile, so the centrifugal force is very high when turning at high speed. Slow down to a more controllable speed when turning to prevent the kart from rolling over.
- e. See figure below for foot pedal instructions. When you sit in the driver seat of the go kart, your left foot is the brake pedal and your right foot is the gas pedal. The stop button is located below the steering column.

# WARNING!

IMPORTANT RULES FOR SAFE OPERATING! All the following items should be read and understood by the operator. Failure to do so could endanger the personal safety of the operator and any passenger.

1. This vehicle is not licensable. It is not to be operated on any public road, street, highway, parking lot, sidewalk or alley. To do so would be in violation of the local law. This vehicle may be operated only on private property and upon areas approved by local law. Avoid operating this vehicle in any area with stationary objects that the vehicle could travel under. Do not ride in areas where other recreational vehicles are being operated. Be respectful of landowners and the environment
2. This vehicle should never be operated indoors. The exhaust from the engine contains carbon monoxide, which is a tasteless, odorless, and poisonous gas.
3. Unless otherwise specified in this manual, all screws, nuts, and bolts must be kept tight to ensure that the vehicle is in safe operating condition. The engine must be kept free of all dirt and other accumulations, paying particular attention to throttle linkage area.
4. Prevailing-Torque-type locknuts lose their locking capability with repeated use and require replacement. Ensure locknuts are functioning properly.
5. The tire pressure should be checked prior to each use. The recommended inflation pressure is the maximum tire pressure as printed on the tire's sidewall. Improper tire pressure may cause instability and may prevent proper braking or steering.
6. Modification of this vehicle or removal of any original equipment or safety decals may render the vehicle unsafe or illegal. Never Remove any chain guard, belt clutch guard, torque converter guard, or jack shaft guard. These covers are for operator/passenger's protection. If any guards are removed for maintenance or servicing of the vehicle, ensure that they are secured in place prior to operating the vehicle.
7. The vehicle should never be started without first checking to see that the throttle is in idle position. Do not start engine without verifying proper function of the throttle. Never attempt to start this vehicle without having the operator seated in the proper position or the front of the vehicle against a stationary object. When starting with the operator in the seat, the operator should have their left foot on the brake. The gas pedal on the right may be used to assist in maintaining RPM during a cold start.
8. This vehicle is not designed or intended for racing, any form of competition, or use on rental tracks.
9. The operator's ability to operate this off-road vehicle safely is largely dependent upon the operator's ability to exercise proper judgment. An operator also must not be too small or too large for controlled operation. The operator must be of sufficient age, understanding, mental capacity, and physical capability to safely operate this vehicle. This vehicle should only be

operated after mature, supervised instruction and sufficient practice in decongested areas. Safe operation includes responsibility for the safety of a passenger (if any).

10. The engine should be stopped when the vehicle is not in use.
11. The operator and passenger (if any) of this vehicle should always wear a helmet approved by agencies such as the Department of Transportation (DOT), Safety Helmet Council of America (SHCA), or Snell Memorial Foundation (SNELL). Most off-road vehicle accident fatalities are due to head injuries. The operator should also wear face shields or goggles, boots or closed-toe shoes, gloves, and other appropriate protective clothing.
12. Loose clothing, long hair, or articles worn by any operator or passenger must be fully contained, or covered to prevent them from possibly being caught in rotating parts of the vehicle or the surrounding environment while riding. Failure to obey could endanger the personal safety of the operator or passenger.
13. Do not place hands, feet, or any other part of the body or any clothing near the engine, muffler, wheels, chain, and other rotating parts of the vehicle while riding or running the engine. Caution must be used in performing required maintenance on or near an operating engine. Special caution should be taken after the engine has been running, since the engine and other drive components may be extremely hot.
14. Wet, slippery, rough, or steep terrain is potentially dangerous and may result in injury if proper caution is not observed. Slow speeds are required to safely operate this vehicle under those conditions. The operator must use mature judgment, skill, and experience to choose a speed suitable for the terrain and riding conditions.
15. The governor settings for this vehicle's engine must not be tampered with, altered, or changed. The governor is set by the engine manufacturer and limits the maximum speed of the engine (and vehicle) and protects the engine from damage. Excessive speeds are potentially dangerous to the operator and the engine.
16. Each time before using this vehicle, the fuel supply should be checked. The fuel tank should never be filled while the engine is running or while the engine is hot. Do not fill tank in a closed area such as a garage, while smoking, or in the vicinity of an open flame. Do not overfill the tank. Always follow the directions in the engine owner's manual. There should not be any fuel in the filler neck. Replace cap tightly to prevent spillage of fuel and potential fire hazard. After filling tank, move the vehicle at least 15 feet away from spot of filling before starting.
17. If the vehicle should start making unusual noise or vibrating abnormally, the engine should be stopped and the spark plug wire disconnected. The vehicle should then be checked for damage. Excessive noise or vibration is generally a warning of loose or worn parts.
18. When making repairs or adjustments to the vehicle which do not involve adjustments to the engine, the spark plug wire must be disconnected and kept away from the spark plug to prevent accidental starting. When working on or around, or when restarting engine, use extreme caution to avoid contact with the muffler, cylinder head, or any other potentially hot area on or around the engine.
19. Always perform a Pre-Ride Inspection before starting the engine. See Pre-Ride Inspection section in this manual.
20. Always perform a Pre-Ride Inspection before starting the engine. See Pre-Ride Inspection

section in this manual.

21. The Custom Bar Cage assembly provided with this vehicle is not designed as a "roll bar". Do not operate this vehicle without the cage properly installed. Only operate this vehicle during daylight.
22. When storing the vehicle, it must be kept in a place where gasoline fumes will not reach an open flame or spark. For long period of storage, such as for winter, the fuel tank should be drained in an open, cool area. The engine must be allowed to cool before storage in any enclosure. Read and keep all printed material supplied with this vehicle. Timely and specific instructions and a Operator's Manual revisions are included in supplements. If any printed material included is unclear, contact your dealer/ retailer for assistance.
23. Never operate this vehicle while under the influence of alcohol, drugs, or medication of any kind. Such operation could be dangerous to yourself and/or others.
24. When turning on pavement, knobby tires may increase the risk of loss of control. ALWAYS SLOW DOWN!
25. Do not Race, jump, perform stunt riding or spin out when operating this vehicle. This vehicle is not designed or intended for such operation.
26. This manual, along with the other supplements provided with your vehicle, provide guidelines for the assembly, maintenance, and operation of this vehicle and is not intended as a service manual.
27. Assembly, maintenance, and/or repair of this vehicle should only be performed by persons of sufficient mechanical skill, experience, and judgment (such as outdoor equipment dealers, motorcycle dealer/shops, or small engine dealers) so that no unsafe condition or modification is made.
28. The battery (if applicable) contains sulfuric acid and must not come in contact with skin, eyes, or clothing since this will cause severe burns possibly causing disfigurement. Also, battery may generate explosive gases and must not be exposed to sparks, flame, cigarettes, or anything flammable or an explosion may result causing severe injury.
29. OPERATOR MUST ALWAYS BE APPROPRIATELY SUPERVISED AT ALL TIMES WHILE OPERATING THE VEHICLE.
30. Operating this vehicle requires skills acquired through practice over a period of time. Take the time to learn the basic techniques well before attempting to operate the vehicle.
31. Operate only on safe and familiar terrain. Avoid loose gravel and rocks. Be careful on wet surfaces and allow for extra braking distance.

## Pre-Ride Inspection

**WARNING** - Perform this pre-ride inspection prior to operating the vehicle. If not performed, serious damage to the vehicle or personal injury may result.

1. ENGINE OIL LEVEL - Add oil if required. Check for leaks. Tighten filler cap securely.
2. FUEL LEVEL - Add fuel as necessary. Do not overfill (no fuel in the filler neck). Replace cap tightly. Check for leaks. Do not mix oil with gas. **WARNING** - Do not refill engine while it is hot. It is possible for spilled fuel to ignite resulting in a fire. Do not fill gas tank in a closed area such as a garage. After filling the tank move the vehicle at least 15 feet away from spot of filling before starting.
3. BRAKES - PERFORM A BRAKE TEST: Have the operator sit in the seat, then push the vehicle from behind. Once the vehicle is rolling, have the operator apply the brake pedal. The vehicle should come to a stop. **WARNING**- Do not operate this vehicle unless the brake is working properly. This vehicle uses a one wheel band brake system, please allow ample time and distance (8-10 feet) for braking to a complete stop.
4. TIRES - Check condition and pressure.
5. DRIVE CHAIN - Check condition, tension, lubricate as necessary.
6. THROTTLE - CHECK FOR SMOOTH OPERATION. Assure throttle "snaps" back to idle. Also, check for frayed cable or damaged cable conduit. If either condition exists replace the cable assembly before riding.
7. TOGGLE KILL SWITCH - PERFORM THIS TEST: While the engine is running, move the toggle kill switch on the steering column to the "OFF" position. If this does not stop the engine, check to ensure that the toggle kill switch wire is attached to the terminal on the engine. **WARNING**- DO NOT OPERATE THIS VEHICLE WITH A TOGGLE KILL SWITCH THAT IS NOT FUNCTIONING PROPERLY.
8. ALL NUTS, BOLTS, AND FASTENERS - Check wheels to see that all axle nuts and lug nuts are tightened properly. Check and tighten all other fasteners as necessary.
9. GUARDS - Ensure all protective guards are in place. **NEVER OPERATE THIS VEHICLE WITHOUT ALL CHAIN, CLUTCH, OR DRIVE ASSEMBLY COVER GUARDS IN PLACE.** Each of these covers have a protective purpose, if removed, could endanger the personal safety of the operator or passenger (if any).
10. STEERING SYSTEM - Ensure that it turns freely.

# Driving Safety Tips

## Turning Maneuvers

A new operator must learn to shift his or her weight and control the throttle to allow the rear tires to negotiate the turn. This is the primary technique to be mastered in riding this vehicle. Practice turning at a slow constant speed. Defer increased speeds until you are confident of your proficiency and are intimately familiar with the terrain.

Steer in the direction of the turn, and lean your body to the inside of the turn in order to maximize front tire traction. Use the throttle to maintain power throughout the turn.

Once this technique is learned, turning maneuvers can be performed within a relatively small area.

Incorrect turning techniques may cause the front wheels to slide straight ahead without affecting the vehicle's direction of travel. If this should occur, come to a stop, then resume the technique outlined above.

If the front wheels tend to skid in mud, sand, or snow, you may be able to improve control by releasing the throttle and allowing the vehicle to coast through the turn.

If the rear wheels inadvertently skid sideways, correct your slide by steering in the direction of the skid, if you have room to perform this maneuver safely. Avoid braking or accelerating until you have control.

To avoid skids while traveling on slippery terrain, the operator must exercise a high degree of caution. Turning maneuvers on slippery terrain are more hazardous than those performed under full traction and must be done slowly.

Surface composition is a major factor affecting skidding. It is easier to slide on packed snow than in deep sand. It is dangerous to skid on ice, because you may lose all directional control, and it is dangerous to skid on pavement, because you may regain traction suddenly and unexpectedly, which can cause the vehicle to overturn.

## Climbing Hills

Practice climbing on evenly surfaced slopes of less than 20 degrees. The vehicle's capability in climbing hills or traversing any specific terrain is dependent upon operator skill and vehicle load. As you gain experience in handling this vehicle, and learn the hazards to be encountered and your own limitations you may then proceed to drive more challenging terrain. However, you must first be able to discern and avoid any hill or hazard that would cause this vehicle to overturn. **WARNING** - Do not apply power suddenly by opening the throttle while ascending a hill or the front wheels may rise from the ground. If the front wheels lift, the operator's control will be lessened and the vehicle may overturn backwards.

If you should find that you have incorrectly estimated climbing capability and lack the power or traction to continue the ascent, if space permits, turn the vehicle around while you still have the forward speed to do so and descend. Avoid stalling part way up a hill, as maneuvering will then become more difficult.

**CAUTION** - Before attempting a turn on a hillside, the operator should first master turning technique on level ground.

If you do lose all forward speed, and can neither continue uphill nor maneuver the vehicle under its own



power, turn off the engine, dismount, and physically turn the machine around.

CAUTION - To avoid overturning, the operator must exercise a high degree of caution when dismounting or moving this vehicle on a hillside.

### Descending Hills

It is usually advisable to descend hills with the vehicle pointed directly downhill, avoiding angles that would cause the vehicle to lean sharply to one side. As you approach the point of descent, stop and survey the terrain below. Never drive headlong past your limit of visibility. When you have picked a safe path of descent, descend slowly with the throttle closed. Sit back on the seat, with arms extended and braced on the steering wheel.

When descending it is recommended that the operator apply the brakes intermittently to further reduce forward speed. Braking effectiveness is reduced while descending any incline with a loose surface.

## Service Instructions

ENGINE LUBRICATION Ensure that you follow the procedures outlined in the engine owner's manual that is provided as a supplement to this manual. Failure to follow procedures could reduce the life of your engine.

VEHICLE LUBRICATION - Every two or three hours of use lubricate the following items with several drops of oil; steering bearing points, brake rod pivot points, pedal pivot points, steering spindles, and steering rod ends. Use the same grade of lubricating oil that is used in the engine crankcase.

CHAIN LUBRICATION - For the best chain life, it should be lubricated with a graphite type lubricant such as the spray-on type which evaporates leaving the graphite on the chain. Using oil or grease on the chain in dusty or sandy riding conditions may cause dirt particles to stick to the chain resulting in rapid wear from abrasion.

FRONT WHEEL REPLACEMENT - Care must be used when replacing wheels. **DO NOT OVER-TIGHTEN AXLE NUTS.** It is only necessary to tighten the nuts so that the wheel turns freely on the axle with minimum end play. If the wheel does not turn freely the nut is too tight.

REAR WHEEL REPLACEMENT - Loosen the large locknut in the center of the wheel to remove the rear wheel.

CHAIN ADJUSTMENT - After the first two hours of operation, check the chain adjustment and readjust it if it has more than 3/8" flex. Loosen the engine clamp nuts and slide the engine and jack shaft assembly rearward to tighten the chain. Allow about 3/8" flex for proper adjustment. Tighten the nuts securely. On models equipped with a centrifugal clutch, the engine may need to be moved forward to tighten the chain.

# VEHICLE OPERATING CONTROLS

Vehicle controls consist of the followings:

- 1. Headlight Switch
- 2. Engine Off Switch



- 3. Ignition Switch

- 4. Brake Pedal
- 6. Throttle Pedal



- 5. Parking Brake Lever

7. Shifter



8. Driver Side Seat Slide



## 9. Seatbelts



## OPERATING CONTROLS

**WARNING:** Do not attempt to start or operate the engine until completely familiar with the location and use of each control necessary to operate this vehicle. The operator must know how to stop this machine before starting and driving it.

### Throttle

The right foot pedal is the throttle that controls the kart speed. As the engine speed increase above idle, the clutch automatically engages and moves the vehicle forward. To disengage the clutch at any time, allow the throttle to return to idle position.

**WARNING:** Each time prior to starting the engine, check the throttle assembly to ensure that when the pedal is pushed all the way forward the assembly is working smoothly and returns to idle when released. Do not operate if pedal or engine throttle linkage fail to return to idle. If unable to correct the problem through lubrication, adjustment or replacement of worn parts, contact your local dealer for assistance.

### Brake

The brake pedal is located on the left side of the kart. Apply pressure to the pedal draws the brake caliper around the brake pump at the rear wheel and slows or stops the vehicle.

### Start Engine

To start the engine, first insert the key into the ignition key switch. This vehicle is equipped with automatic start switch. Turn the key clockwise, release the key when the engine starts. **DO NOT ATTEMPT TO HOLD IGNITION FOR MORE THAN 10 SECONDS, AS IT WILL BURN UP THE STARTER MOTOR.** If the engine does not start, wait for 15 seconds before attempt to start the engine again. Once the engines starts, wait 5 minutes for the engine to warm up. The vehicle is now ready for operate.

### Engine Off Switch

To turn the engine off, push the engine shut off switch to the “-” position. Allow yourself a safe distance before coming to a stop.

## PERIODIC MAINTENANCE SCHEDULE

**To perform service that is in this schedule but not described in this manual, contact a local authorized service center for this vehicle.**

### Daily Service

Before Use:

- ✓ Check brake operation
- ✓ Check Lights
- ✓ Check tire condition
- ✓ Check overall vehicle condition

### Weekly Service

- ✓ Tires: Exam for cuts, excessive war and pressure
- ✓ Wheels: Check for bent rims, missing or loose lug nuts
- ✓ Hardware and fasteners: Check for loose or missing hardware and components.
- ✓ Carburetor: Inspect carburetor
- ✓ Engine Oil: Replace Engine oil in first 5 Hours of Operating and 10 hours increments thereafter.
- ✓ Drive Chain: Inspect drive chain tension

### Monthly Service or Every 20 Hours (includes list in weekly service above)

- ✓ Front Axle: Check for damage to axle and loose or missing hardware
- ✓ Shock Absorbers: Check front and rear shock absorbers for oil leakage and loose fasteners
- ✓ Front Wheel Alignment: Check for unusual tire wear, align if required
- ✓ Hardware and fasteners: Check for loose or missing hardware and components.

### Semi-Annual or Every 50 Hours (includes list in previous service above)

- ✓ Steering Assembly: Check for rack and pinion seal or damage or grease leakage
- ✓ Rod End ball Joints: Check for excessive play, Lubricate.
- ✓ Rear Axle: check for unusual noise and loose or missing mounting hardware

### Annual or Every 75 Hours (includes list in previous service above)

- ✓ Front wheel bearings: Check and adjust as required.
- ✓ Rear Axle: Check lubricant, add lubricant (SAE 30 oil) as required
- ✓ Brake: Clean and adjust. Check for brake pads linings. Check brake fluid.

## SERVICE INSTRUCTIONS

### Air Cleaner

This unit is equipped with a paper-style air filter and should be replaced after every 20 hours of operating. **Note:** Operating in usually dusty conditions may require more frequent replacement.

- 1) Remove air cleaner and cover by release the tab
- 2) Clean any excess dirt, oil, or dust from the air cleaner box with a mild detergent and water solution.
- 3) Thoroughly dry the air box
- 4) Replace the air cleaner element.
- 5) Replace the cleaner cover.

### Engine Oil

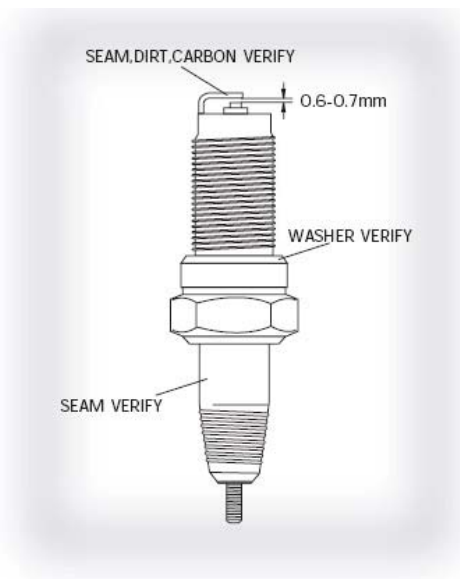
Initial engine oil is required to be changed in the first 5 hours of operating on a new engine. The engine oil should then be changed every 10 hours of use thereafter.

- 1) Remove the drain plug located on the bottom of the right rear side of the engine. Elevating the front of the kart slightly will help drain all the oil
- 2) Once the oil is completely drained, replace the drain plug and tighten carefully.
- 3) Place the kart back onto a flat surface to level the engine, and re-fill the crankcase with 20 oz of SAE 10W30 motor four stoke oil.
- 4) Check the oil level using the dipstick attached to the oil fill cap. Be sure to check the oil lever before each use of the kart. Add oil when necessary to keep the oil level between the bottom of the dipstick and "O" mark.



## Spark Plug

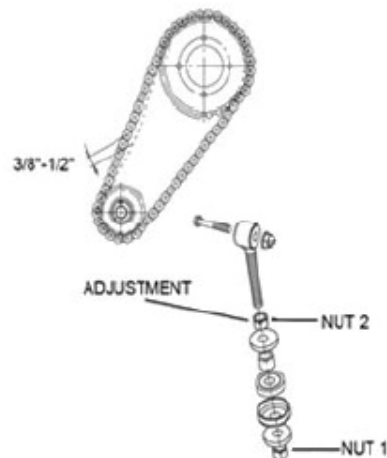
- 1) Remove the spark plug and inspect it each time you change the oil. The electrodes should be kept clean and free of carbon. The presence of carbon or excess oil will greatly reduce proper engine performance. If possible, check the spark plug gap (area between electrodes) using a wire feeler gauge. This specification is 0.6 – 0.7 mm.
- 2) Before installing spark plug, coat threads lightly with graphite grease if possible to ensure easy removal in the next time spark plug needs inspection.
- 3) It is recommended to replace the spark plug at least once a year to ensure easy starting and good engine performance.



## Chain Lubrication and Adjustment

For optimum chain life, lubrication with a spray on chain lubricant should be performed on a regular basis. Do not use other oils. A new chain will stretch within the first few hours of use and therefore will require adjustment. The first chain adjustment should be made after first 2 hours of use. If the chain has more than  $\frac{1}{2}$ " of slack or "flex" then it will require to be adjusted.

- 1) Loose Nut (1)
- 2) Adjust Nut (2) until the proper chain tension is achieved.
- 3) Re-tighten Nut (1)



## GENERAL SPECIFICATIONS

### STANDARD EQUIPMENT

Engine Type	150cc 9 HP 4 Stroke
Front Suspension	Dual A-Arm
Rear Suspension	Swing Arm
Brake	Rear disc brake
Top Speed	32 MPH
Front Tire	16 x 6 - 8
Front Tire Pressure	14 P.S.I
Rear Tire	18 x 9.5 - 8
Rear Tire Pressure	14 P.S.I
Weight	420 Lbs
Length	90.5"
Width	46.8"
Height	55"
Wheelbase	73.2"
Ground Clearance	9.25"
Cargo Bed Capacity	50 Lbs
Vehicle Payload	250Lbs

\*Specification subject to change without notice

**Geason Enterprises, LLC dba Geason Powersports  
Emission Control System Warranty Statement**

**YOUR WARRANTY RIGHTS AND OBLIGATIONS**

---

The U.S. Environmental Protection Agency and **Geason Enterprises, LLC dba Geason Powersports** (hereinafter "**Geason Powersports**") are pleased to explain the emission control system warranty on your 2011 Off-Road UTV. New off-road motor vehicles must be designed, built and equipped to meet U.S. EPA Federal anti-smog standards. Geason Powersports must warrant the emission control system on your vehicle for 5,000 km, or at least 30 months, whichever comes first, provided that there has been no abuse, neglect or improper maintenance of your vehicle. This UTV was designed to meet the emission standards for 10,000 km, or five years, whichever comes first.

Your emission control system may include parts such as the carburetor or fuel injection system, the ignition system, catalytic converter and engine computer, if it is equipped. Also included may be hoses, belts, connectors and other emission-related assemblies.

Where a warrantable condition exists, Geason Powersports will repair your vehicle at no cost to you, including diagnosis, parts and labor.

If an emission-related part on your vehicle is defective, the part will be repaired or replaced by Geason Powersports. This is your emission control system DEFECTS WARRANTY.

**NOTICE!** Use of any Geason Powersports vehicle in any type of competitive event completely and absolutely voids this and all other warranties offered by Geason Powersports.

**OWNER'S WARRANTY RESPONSIBILITIES**

As the vehicle owner, you are responsible for the performance of the required maintenance listed in your owner's manual. Geason Powersports recommend that you retain all receipts covering maintenance on your vehicle, but Geason Powersports cannot deny warranty solely for the lack of receipts or for your failure to ensure the performance of all scheduled maintenance.

You are responsible for presenting your vehicle to the Geason Powersports dealer as soon as a problem exists. The warranty repairs should be completed in a reasonable amount of time, not to exceed 30 days.

As the vehicle owner, you should be aware that Geason Powersports may deny your warranty coverage if your vehicle or a part has failed due to abuse, neglect, improper maintenance or unapproved modifications.

If you use your vehicle in any type of competitive event, this warranty is immediately and completely void.

If you have any questions regarding your warranty rights and responsibilities, you should contact Geason Enterprises, LLC dba Geason Powersports, 1200 Flower Mound Parkway #325, Flower Mound, TX 75028, Phone: 214-513-1700, or, the U.S. Environmental Protection Agency, 2000 Traverwood Drive, Ann Arbor, MI 48105.



Geason Enterprises, LLC dba Geason Powersports  
Limited Warranty on Emission Control System

**YOUR WARRANTY RIGHTS AND OBLIGATIONS**

---

Geason Enterprises, LLC dba Geason Powersports (hereinafter "Geason Powersports") warrants that each new 2011 and later Geason Powersports off-road vehicle:

- A. is designed, built and equipped so as to conform at the time of initial retail purchase with all applicable regulations of the United States Environmental Protection Agency; and
- B. is free from defects in material and workmanship which cause such vehicle to fail to conform to applicable regulations of the United States Environmental Protection Agency for the periods specified above.
- I. **Coverage.** Warranty defects shall be remedied during customary business hours at any authorized Geason Powersports dealer located within the United States of America in compliance with the Clean Air Act and applicable regulations of the United States Environmental Protection Agency. Any part or parts replaced under this warranty shall become the property of Geason Powersports.
- II. **Limitations** This Emission Control System Warranty shall not cover any of the following:
  - A. Repair or replacement as a result of
    - (1) accident,
    - (2) misuse,
    - (3) repairs improperly performed or replacements improperly installed,
    - (4) use of replacement parts or accessories not conforming to specifications set forth by Geason Powersports, which adversely affect performance and/or
    - (5) use in competitive racing or related events.
  - B. Inspections, replacement of parts and other services and adjustments required for required maintenance.
  - C. Any vehicle equipped with an odometer or hour meter on which the odometer mileage or hour meter reading has been changed so that actual mileage cannot be readily determined.
- III. **Limited Liability**
  - A. The liability of Geason Powersports under this Emission Control System Warranty is limited solely to the remedying of defects in material or workmanship by an authorized Geason Powersports dealer at its place of business during customary business hours. This warranty does not cover inconvenience or loss of use of the vehicle or transportation of the vehicle to or from the Geason Powersports. Geason Powersports shall not be liable for any other expenses, loss or damage, whether direct, incidental, consequential or exemplary arising in connection with the sale or use of or inability to use the Geason Powersports vehicle for any purpose. Some states do not allow the exclusion or limitation of any incidental or consequential damages, so the above limitations may not apply to you.



**Geason Enterprises, LLC dba Geason Powersports  
Limited Warranty on Emission Control System**

- B. No express emission control system warranty is given by Geason Powersports, except as specifically set forth herein. Any emission control system warranty implied by law, including any warranty of mechanability or fitness for a particular purpose, is limited to the express emission control system warranty terms stated in this warranty. The foregoing statements of warranty are exclusive and in lieu of all other remedies. Some states do not allow limitations on how long an implied warranty lasts, so the above limitations may not apply to you.
  
- C. No dealer is authorized to modify this Limited Emission Control System Warranty issued by Geason Powersports.

**IV. LEGAL RIGHTS.** This warranty gives you specific legal rights, and you may also have other rights which vary from state to state.

**V.** This warranty is in addition to the Geason Powersports limited vehicle warranty.

**VI. ADDITIONAL INFORMATION.** Any replacement part that is equivalent in performance and durability may be used in the performance of any maintenance or repairs. However, Geason Powersports are not liable for these parts. The owner is responsible for the performance of all required maintenance. Such maintenance may be performed at a service establishment or by any individual. The warranty period begins on the date the UTV is delivered to an ultimate purchaser.

**Geason Enterprises, LLC  
dba Geason Powersports  
1200 Lakeside Parkway #325  
Flower Mound, TX 75028  
Phone: 214-513-1700  
Fax: 214-513-1711**

