



# HAMMERHEAD MUDHEAD



## Illustrated Parts Manual (Chassis Only)

Click image to enlarge

50-State 208cc Non-Generator Engines

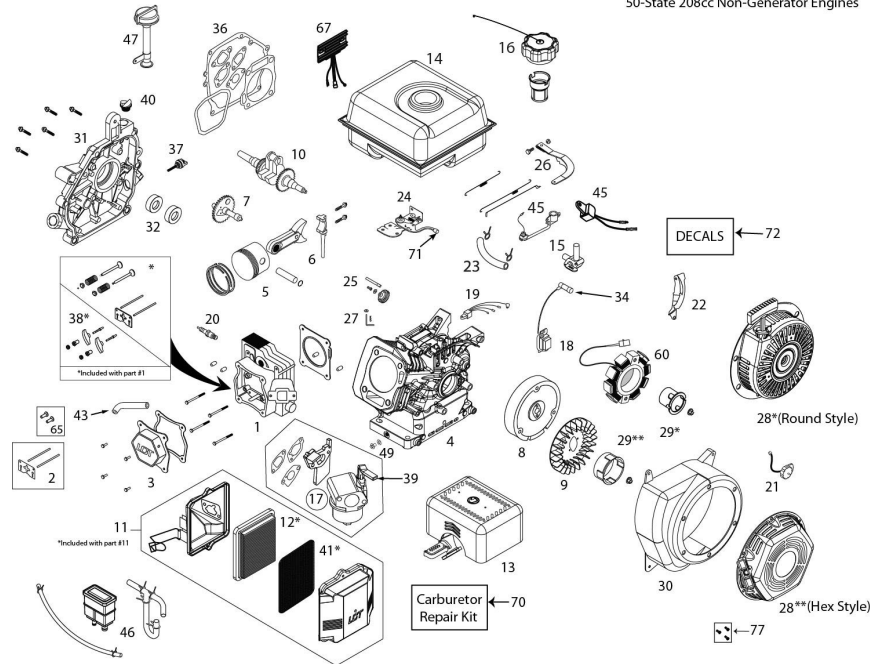


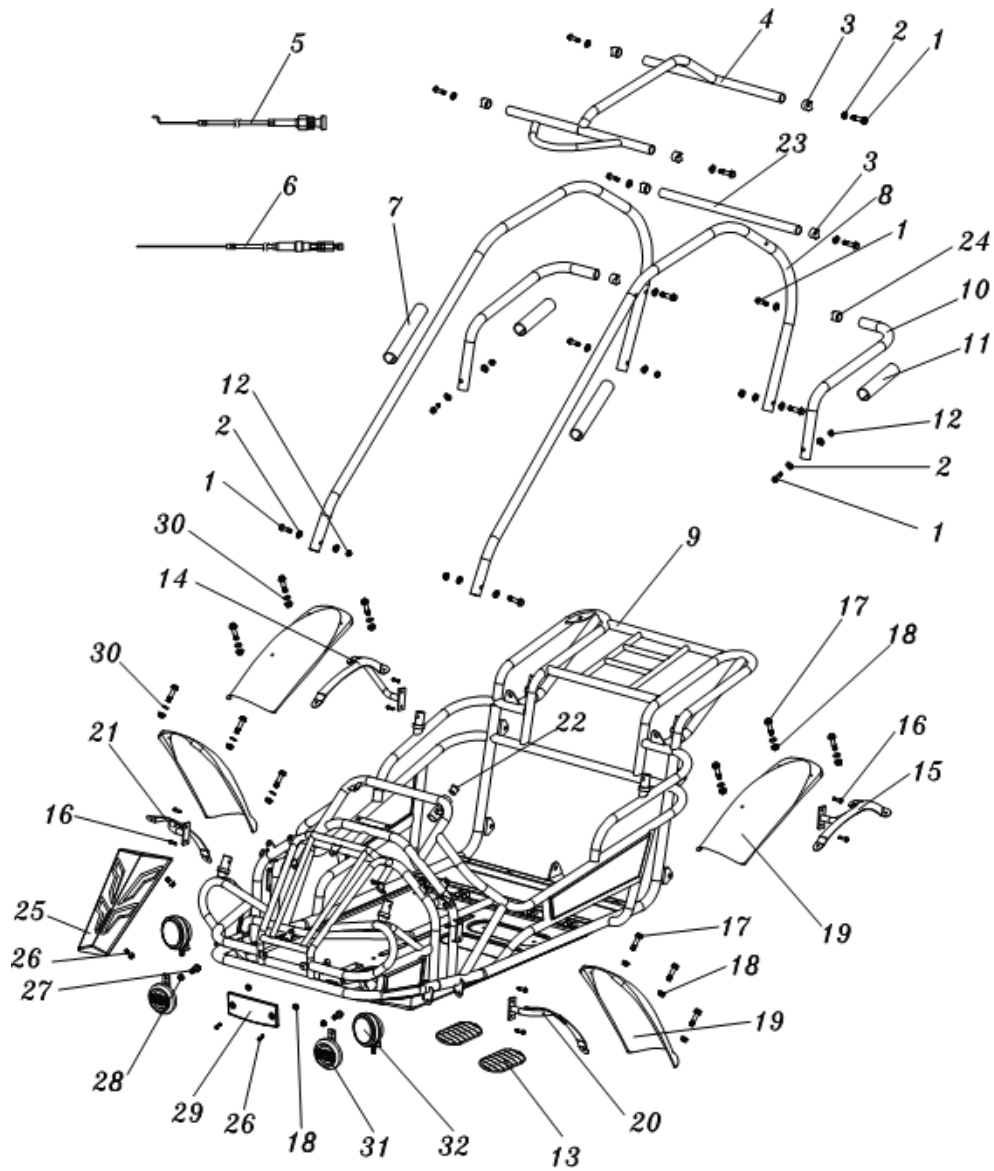
ILLUSTRATION FOR REFERENCE PURPOSES ONLY

**PLMHK14650124EBCJKPQTUVX235E1M**

Ref#	CPC #	Description
1	20810001	Cylinder Head Assembly
2	20810011	Push Rod Kit (208cc)(incl. valve cover gskt)
3	20845011	Valve Cover (208cc)
4	20813061	Cylinder (Gen II- No Low Oil Sensor)(208cc)
5	20814001	Piston Assembly
6	20815001	Connecting Rod Assembly
7	20816001	Camshaft System Assembly
8	04151	Flywheel Electric Start (60-Watt) (208cc)
9	20840001	Cooling Fan- Flywheel
10	20818001	Crankshaft Assembly-Keyed
11	20820021	Air Filter Assembly Of Paper
12	20820121	Pleated Paper Air Filter (Ref #41 incl.)
13	20821001	Muffler Assembly
14	20822191	Fuel Tank (2.7L)(Black- W/Reg Mtg-Stant Cap)
15	20822211	1/4 Fuel Petcock (Non-Generator)
16	20822131	Fuel Tank Cap-Black Stant w/chain
17	20824051	Carburetor - incl spacer-choke-gaskets
18	20825701	Ignition Coil (Integrated CDI 208cc)(Summer W/Metal Shield)
20	20838101	Spark Plug
22	20824051	Carburetor (L03-1)(Remote Choke 208cc)
23	20860001	Fuel Hose Kit
24	20828201	Throttle Control (Remote w/Spring)
25	20829001	Governor Gear Assembly
26	20830001	Governor Link Assembly(Summer)
27	20831001	Governor Arm Shaft Assembly

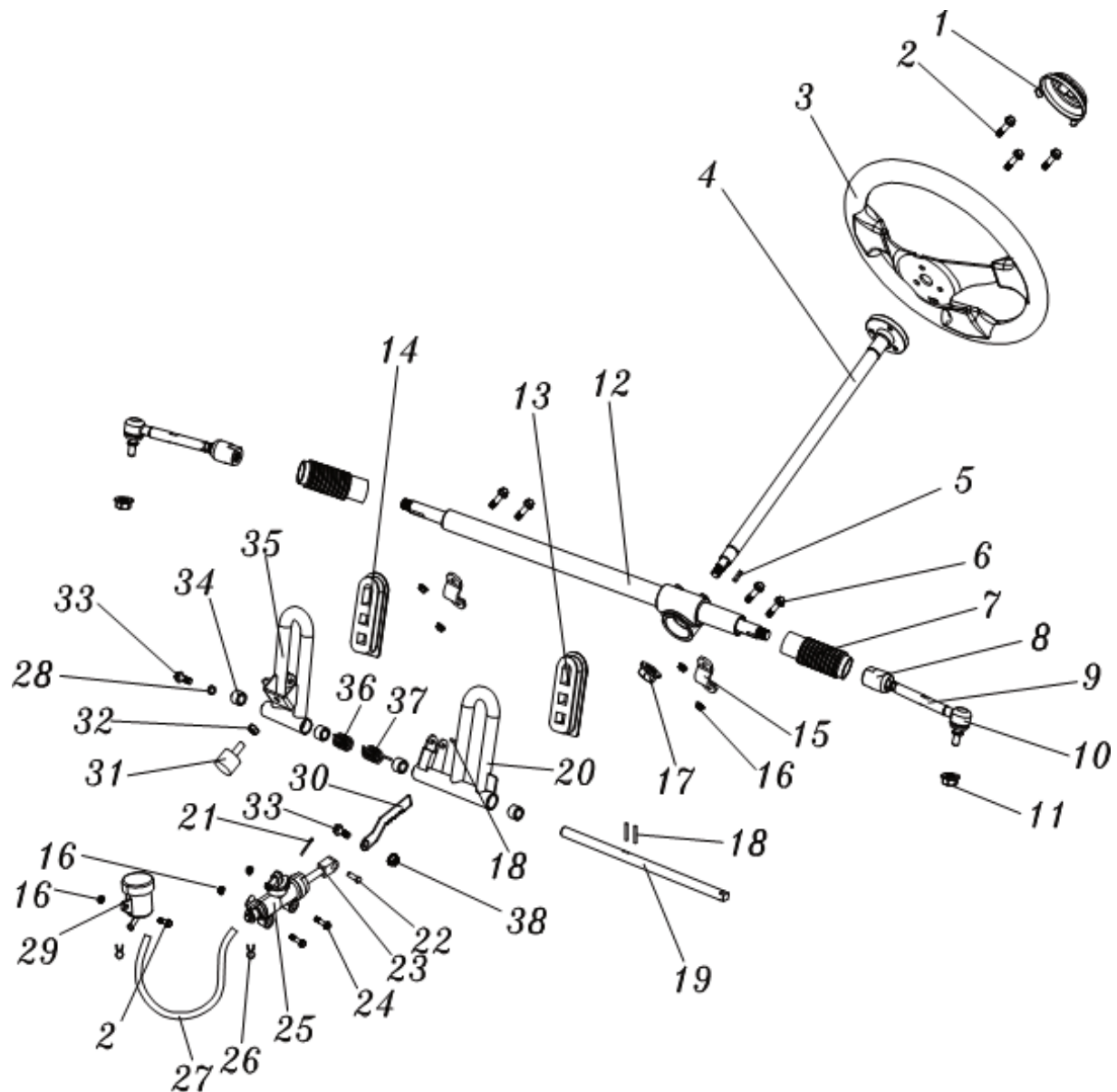
28	20832002	Recoil Starter Assy(Round-Black)
29	20833002	Starter Cup (Non-Slotted)
30	20834201	Blower Housing (Black)(Es Wo/Switch Hole- W/Finger Guard)
31	20836001	Crankcase Cover Assy-High Oil-Fill Tube (Threaded)
32	20839001	Oil Seal Kit (2 Pcs)
34	20838001	Spark Plug Boot Assembly Kit
35	20880501	12V Electric Starter (208cc)
36	20843001	Gasket Kit
37	20837111	Small Black Dipstick
38	20811001	Rocker Arm Assembly
39	20821201	Choke Lever Assembly Kit
40	20837051	Non-Removable Plug
43	20845101	Breather Tube (136/208cc)
46	20890041	Carbon Canister Kit
49	20899111	Oil Drain Plug Kit
60	04141	60-Watt Charging Coil
65	20810051	Tappet Kit (order gasket seperately)
67	20880001	Regulator/Rectifier (Use W/60-Watt Alt)(208cc)
68	20821301	Remote Choke Bracket (208cc)
70	99001	Carburetor Repair Kit (136/208/254cc)
72	20850001	Maxx Series Decal Kit
77	99991	Recoil Bolt Kit
Service Engine: Stock		

# FRAME COMPONENTS



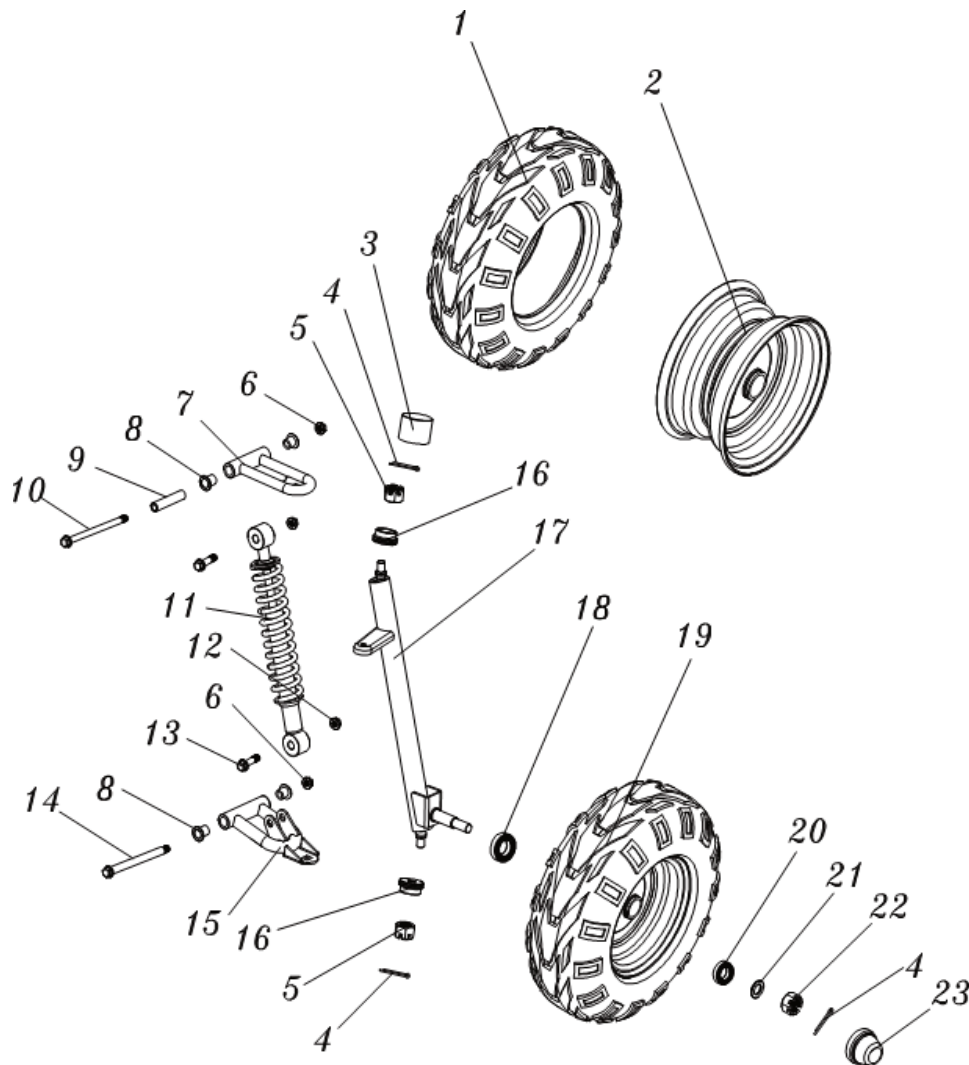
REF#	PART NUMBER	DESCRIPTION	COUNT	REF#	PART NUMBER	DESCRIPTION	COUNT
1	9.129.850	BOLT M8X1.25X50	14	17	9.106.102	BOLT M6X14 STAINLESS	12
2	7.010.049	BAR CAGE WASHER	20	18	9.210.008	M6 NUT	12
3	7.010.017	TUBE SEAT 25	6	19	7.010.034-SS	FENDER	4
4	6.060.300	CROSS BAR TOP	1	20	20-0705-00L	FENDER BRACKET (FL)	1
5	6.130.134-M	CHOKE CABLE	1	21	20-0705-00R	FENDER BRACKET (FR)	1
6	20-0704-00	THROTTLE CABLE	1	22	7.010.006	STEERING SHAFT BUSHING	1
7	7.020.111	FOAM PADDING	2	23	8.080.078	CROSS BAR REAR	1
8	8.070.054	OVERHEAD BAR	2	24	7.110.018	TUBE SEAT 24	2
9	N/A	FRAME	1	25	9.131.192	DECORATING PLATE TOP	1
10	8.070.055	SIDE BAR	1 EA	26	5.120.074	BOLT M6X20	4
11	6.000.189	FOAM PADDING SHORT	2	27	9.106.012	FLANGE BOLT M6X12	2
12	9.220.008	MUT, M8	6	28	9.210.008	NUT M6	2
13	7.020.045	RUBBER FOOT PLATE	2	29	8.147.162	DECORATING PLAGE BOTTOM	1
14	20-0706-00R	FENDER BRACKET (RR)	1	30	9.300.006	M6 WASHER	12
15	20-0706-00L	FENDER BRACKET (RL)	1	31	6.000.174	HORN	2
16	9.906.016	BOLT M6X16	8	32	20-0206-00	MUDHEAD HEADLIGHT	2

# STEERING ASSEMBLY



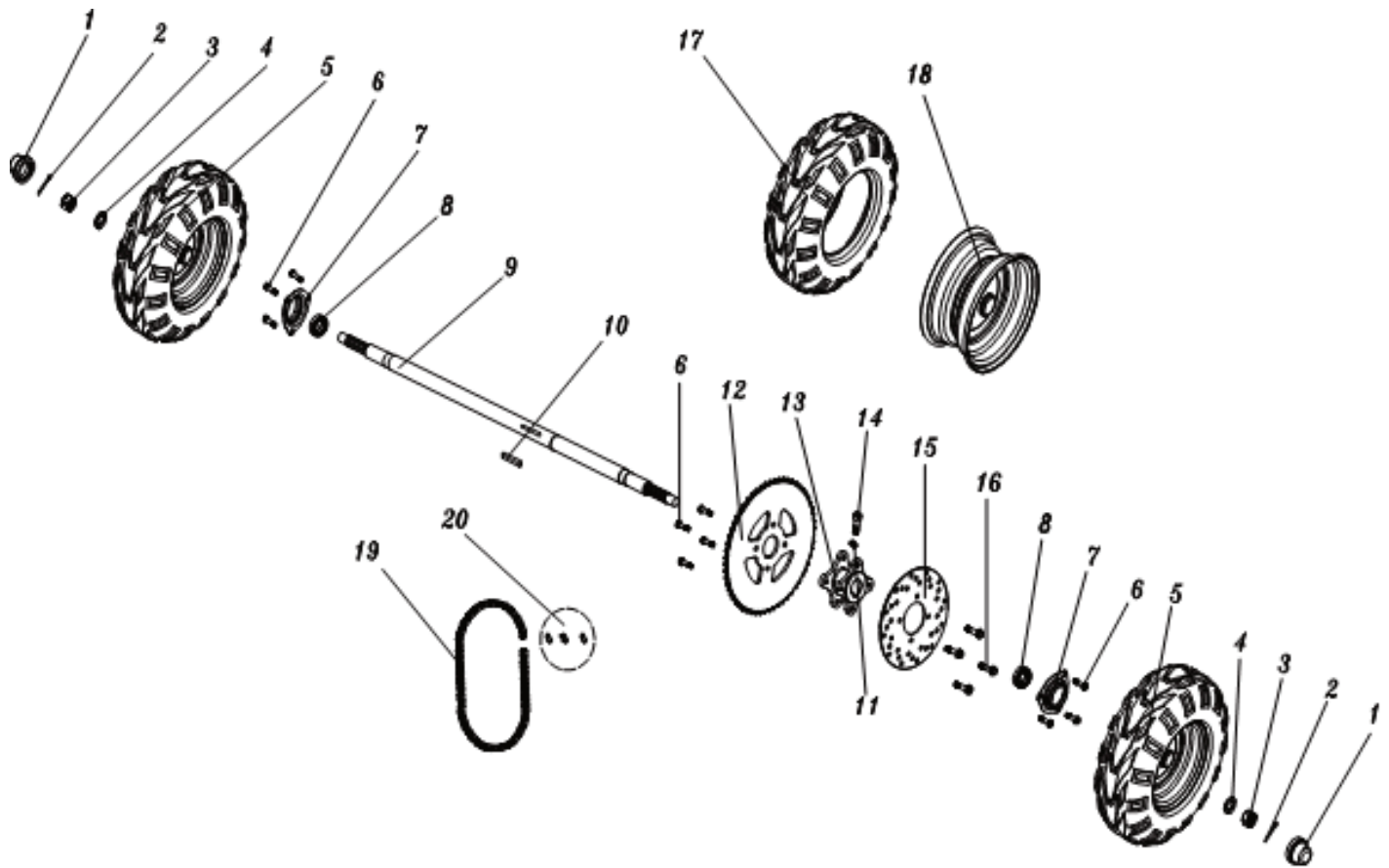
REF #	PART NUMBER	DESCRIPTION	COUNT	REF #	PART NUMBER	DESCRIPTION	COUNT
1	7.010.056	STEERING WHEEL COVER	1	20	4.000.044	BRAKE PEDAL COMP.	1
2	9.210.006	NUT M6, LOCKING	4	21	9.500.218	COTTER PIN	1
3	7.020.057	STEERING WHEEL	1	22	6.000.308	LOCKING ROLL PIN	1
4	2.000.056	STEERING SHAFT	1	23	6.000.306	SHAFT, BRAKE MASTER CYLINDER	1
5	14635	KEY, 4X4X11.5	1	24	9.906.625	BOLT, M6X25	2
6	9.100.005	BOLT, M6X1.00X20	4	25	6.000.305	BRAKE CYLINDER	1
7	7.020.059	STEERING BALL JOIN DUST COVER	2	26	N/A	BRAKE LINE CLIP?	2
8	6.000.180	STEERING BALL JOIN	2	27	N/A	BRAKE LINE	1
9	8.010.135	TIE ROD	2	28	N/A	SPRING?	1
10	6.000.181	ROD END	2	29	6.000.305-C	CYLINDER CUP	1
11	9.210.008	LOCKING NUT M8	2	30	14652	PARKING BRAKE PEDAL	1
12	4.100.024	STEERING GEAR	1	31	N/A	GAS PEDAL LIMIT BOLT	1
13	7.020.043	BRAKE PEDAL	1	32	9.200.008	M8 NUT	1
14	7.020.044	THROTTLE PEDAL	1	33	9.129.816	BOLT, M8X1.25 LOCKING FLANGE	1
15	8.020.130	STEERING GEAR BRACKET	2	34	7.010.003	PEDAL BUSHING	4
16	9.210.006	LOCKING NUT M8	4	35	9.500.218	THROTTLE PEDAL ASSEMBLY	1
17	9.220.012	LOCKING FLANGE NUT M12	1	36	8.040.010	THROTTLE PEDAL RETURN SPRING	1
18	9.500.008	ROLL PIN	3	37	8.040.011	BRAKE PEDAL RETURN SPRING	1
19	8.010.123	PEDAL BOLT	1	38	9.220.008	NUT, M8X1.25 LOCKING FLANGE	1

# FRONT SUSPENSION



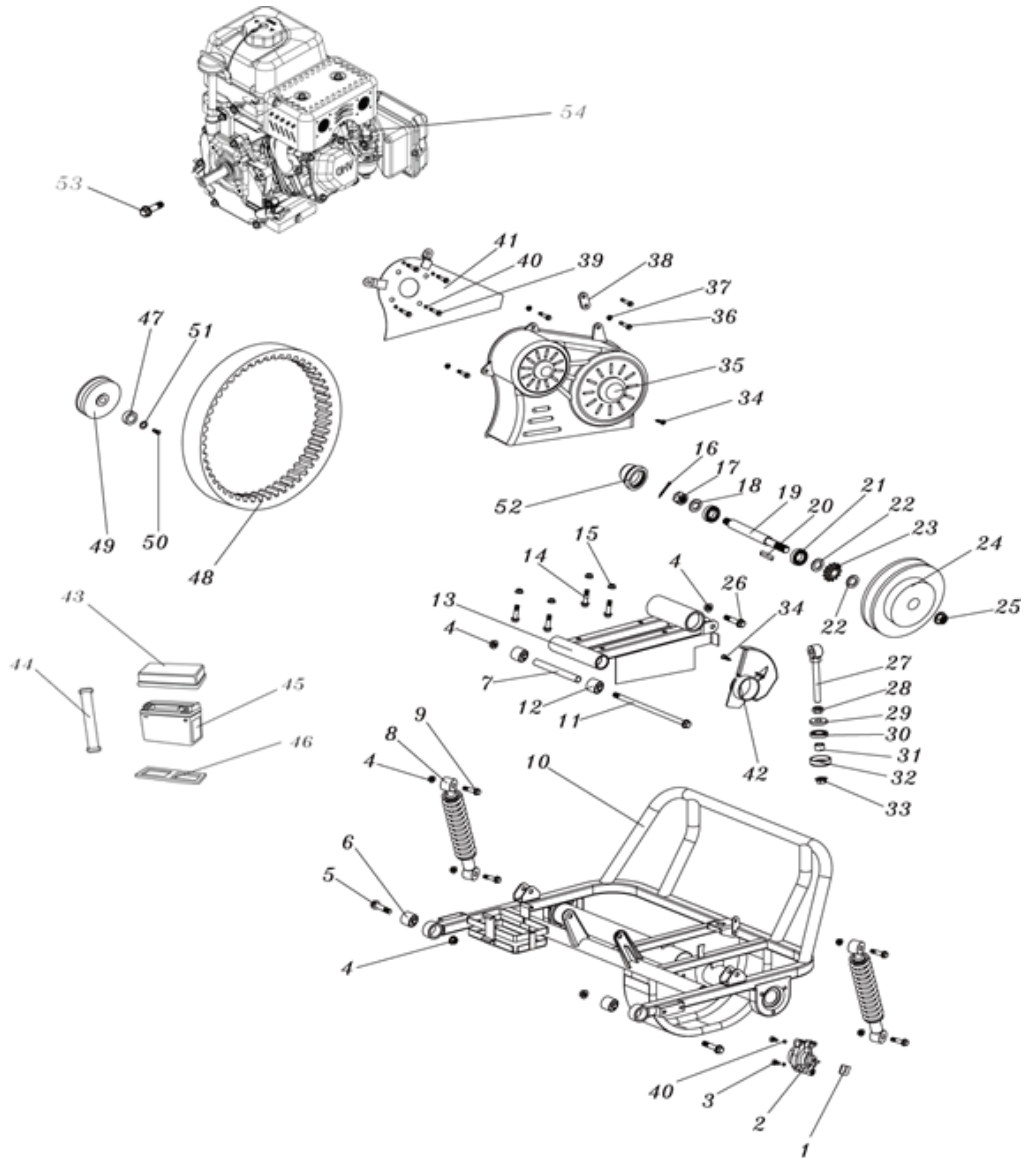
REF #	PART NUMBER	DESCRIPTION	COUNT
1	6.000.311	TIRE 16X6-8F978	2
2	6.000.310-BK	FRONT RIM	2
3	N/A	SPINDLE CAP	2
4	9.500.200	COTTER PIN	6
5	9.800.010	CASTLE NUB M10X1.5	4
6	9.320.008	LOCKING FLANGE NUT, M8	4
7	4.000.047	UPPER SUSPENSION ARM	2
8	7.010.003	UPPER SUSPENSION ARM BUSHING	8
9	8.010.104	UPPER SUSPENSION ARM COLLAR	2
10	9.108.095	FLANGE BOLT M8X1.25X95	2
11	6.100.325	FRONT SHOCK	2
12	9.320.008	LOCKING FLANGE NUT, M8	4
13	9.708.145	FLANGE BOLT M8X1.25X30	4
14	9.708.145	FLANGE BOLT M8X1.25X145	2
15	4.000.041	LOWER SUSPENSION ARM ASSY	2
16	7.020.079	BALL HEAD DUST SEAL	2
17	2.000.057-80	SPINDLE (L)	1
	2.000.055-80	SPINDLE ( R )	1
18	9.030.010	BEARING 6202	2
19	6.000.309	FRONT WHEEL ASSEMBLY	2
20	9.030.009	BEARING 6201	2
21	9.300.012	WASHER	2
22	9.800.010	Castle Nut M10	2
23	7.020.039	HUB COVER FRONT	2

# REAR HOUSING



REF#	PART NUMBER	DESCRIPTION	COUNT
1	7.020.039	HUB COVER, RR	2
2	9.500.330	COTTER PIN	2
3	9.800.016	M16X1.5 CASTLE NUT	2
4	9.300.016	WASHER	2
5	6.000.316	REAR WHEEL ASSEMBLY ( 16X7-8-F978)	2
6	9.108.016	FLANGE BOLT M8X1.25.X16	10
7	6.000.196	AXLE COVER	2
8	9.030.005-250	BEARING 6005	2
9	20-0601-00	AXLE	1
10	8.010.138	AXLE KEY	1
11	9.129.810	ALLEN HEAD BOLT M8X1.25X10	1
12	8.010.200	REAR SPROCKET	1
13	8.010.202	REAR AXLE HUB	1
14	9.129.810	ALLEN HEAD BOLT M8X1.25X10	1
15	8.010.201	BRAKE DISC, RR	1
16	9.106.016	FLANGE BOLT M6X16	4
17	7.020.078	REAR TIRE ( 16X7-8)	2
18	6.000.0333-BK	REAR RIM	2
19	7.160.016	CHAIN ( 420HX68L)	1
20	6.100.324	MASTER LINK	1

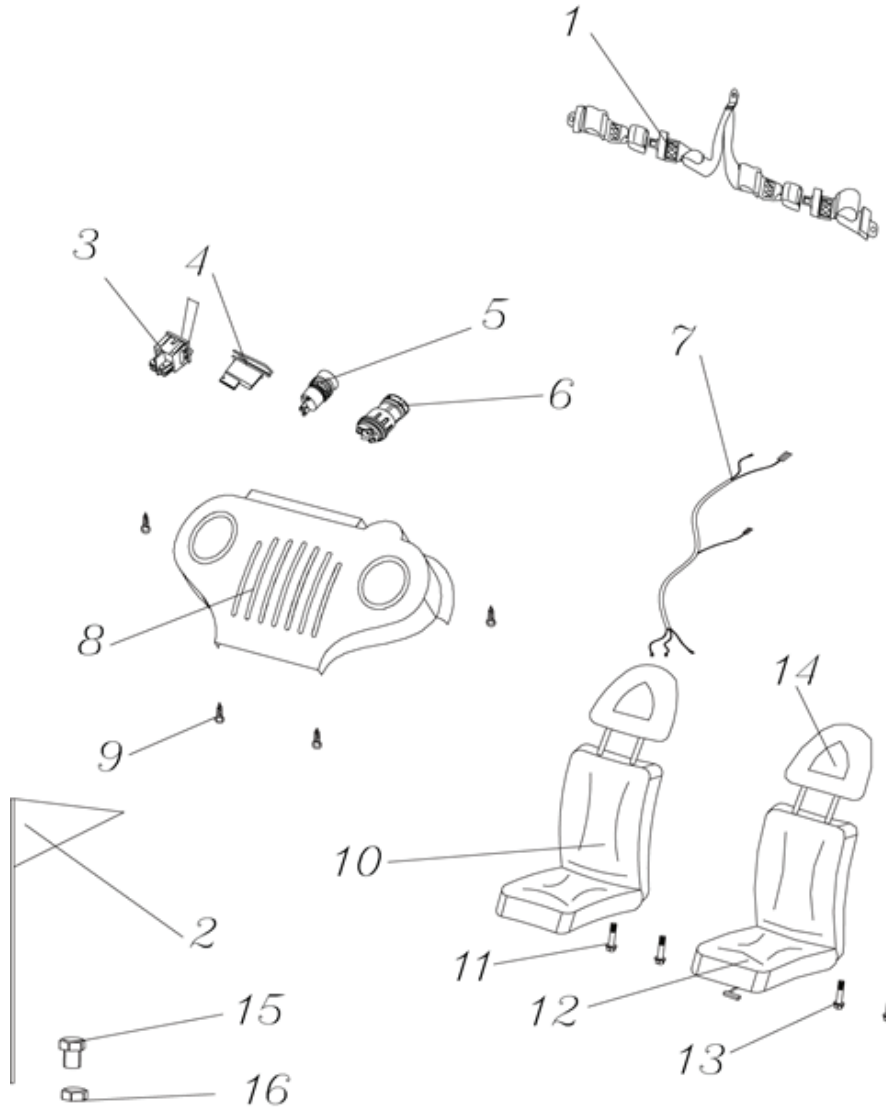
# ENGINE / SWING ARM / CLUTCH



REF #	PART NUMBER	DESCRIPTION	COUNT	REF #	PART NUMBER	DESCRIPTION	COUNT
1	7.020.016	REAR BRAKE PAD	1	28	14492	NUT, M12	1
2	6.000.028	REAR BRAKE CALIPER	1	29	14710	WASHER, CHAIN ADJUSTER	1
3	9.108.014	M8X1.25X14 HHCS	2	30	14711	BUSHING, CHAIN ADJUSTER	1
4	9.220.010	NUT, M10X1.25 LOCKING FLANGE ZN	8	31	14712	CAP WASHER, CHAIN ADJUSTER	1
5	9.111.042	BOLT, M10X1.25X50 FHCS ZN	2	32	14713	BOTTOM CAP WASHER - CHAIN ADJUS	1
6	7.020.077	SWINGARM ISOLATOR BUSHING	2	33	14492	NUT, M12	1
7	14666	SPANNER	1	34	14426	BOLT, M6X1.00X14 FHCS ZN	2
8	6.000.322	REAR SHOCK	2	35	14665	DRIVE COVER PLASTIC	1
9	9.110.040	BOLT, M10X1.25X40 FHCS	4	36	14341	BOLT, M6X1.00X20 FHCS ZN	4
10	20-0626-00	REAR SWING ARM	1	37	9.220.006	NUT, M6	3
11	14662	BOLT, M10X1.25X174 HHCS	1	38	N/A	DRIVE COVER EXTENTION LINK	1
12	14695	BUSHING	2	39	N/A	BOLT, M8X16	4
13	20-0604-00	ENGINE MOUNTING PLATE	1	40	N/A	SPRING WASHER	6
14	14696	BOLT, M8X1.25X50 FHCS	4	41	N/A	SAFETY PLATE	1
15	14088	NUT, M8X1.25 LOCKING FLANGE	4	42	14707	GUARD, REAR CHAIN	1
16	9.500.003	COTTER PIN, M4X30	1	43	7.010.028	BATTERY COVER	1
17	14727	NUT, M14X1.25 CASTLE	1	44	7.020.023	BATTERY STRAP	1
18	14690	WASHER, M12 ZN	1	45	6.000.055	BATTERY	1
19	14691	SHAFT, SPROCKET & DRIVER PULLEY	1	46	7.020.020	BATTERY CUSHION	1
20	14692	KEY	1	47	9.300.008	WASHER, M8	1
21	6.100.065	6004 BEARING	2	48	9.110.018	DRIVE BELT 725	1
22	14690	WASHER, M12 ZN	1	49	9.500.010	Front Clutch	1
23	8.011.077	SPROCKET, 10T DRIVEN	1	50	9.108.045	BOLT 5/16-24 X 1.750 HHCS G5	1
24	9.500.001	Rear Clutch	1	51	9.300.008	WASHER, M8	1
25	9.100.016	NUT, M16X1.25 LOCKING FLANGE	1	52	N/A	CAP, JACKSHAFT 2 IN	1
26	14247	BOLT, M8X1.24X45 FHCS ZN	1	53	9.108.045	BOLT 5/16-24 X 1.750 HHCS G5	1
27	14708	CHAIN ADJUSTER	1	54	006-LCT208	LCT ENGINE 208CC ELECTRIC START	1



# ELECTRICALS / SEATS / SEAT BELT



REF #	PART NUMBER	DESCRIPTION	COUNT
1	6.000.328	FIVE POINT SEATBELT	1
2	N/A	FLAG POLE	1
3	20-0320-00	HEADLIGHT SWITCH	1
4	6.000.133-M	HORN BUTTON	1
5	6.000.164-M	ENGINE OFF BUTTON	1
6	6.000.165	IGNITION KEY SWICH	1
7	20-0303-00	ELECTRICAL WIRE	1
8	7.110.076	SWICH PANEL COVER	1
9	N/A	SCREW 4X10	4
10	6.000.330	PASSENGER SEAT	1
11	9.900.840	BOLT M8X1.25X40	2
12	6.000.331	DRIVER SEAT	1
13	9.900.840	BOLT M8X1.25X45	2
14	6.000.329	HEAD REST	2
15	N/A	FLAG POLE BOLT	1
16	N/A	FLAG POLE NUT	1