

Parts Manual



READ THIS MANUAL CAREFULLY,
IT CONTAINS IMPORTANT SAFETY INFORMATION.

GTS150

Dune Buggy

MINIMUM
RECOMMENDED
OPERATOR AGE: **16**



FOR OFF-ROAD USE ONLY

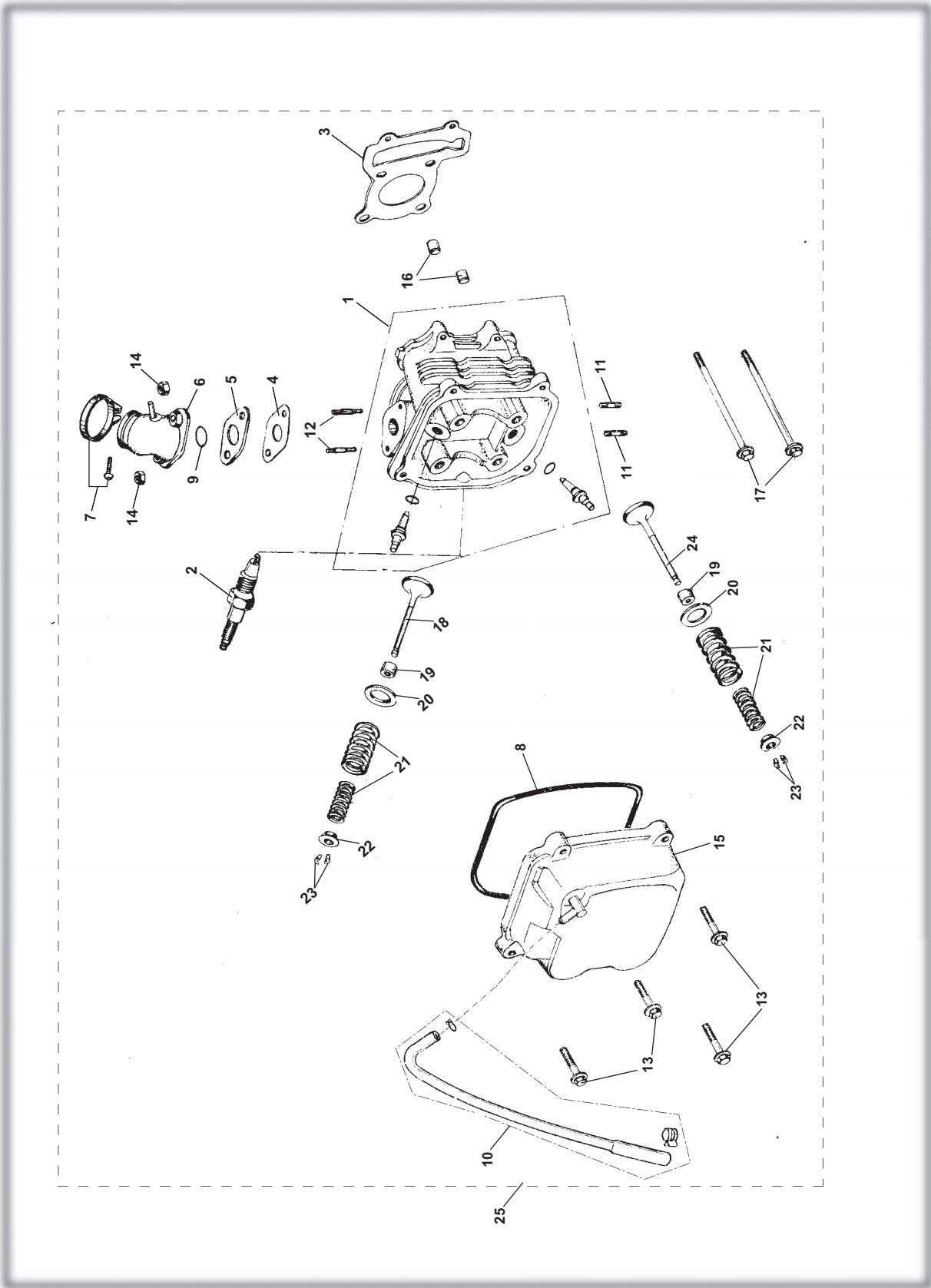
This vehicle is designed and manufactured for off-road use only.

USA only:

It does not conform to Federal Motor Vehicle Safety Standards, and in regards to operation on public streets, roads, or highways is illegal.

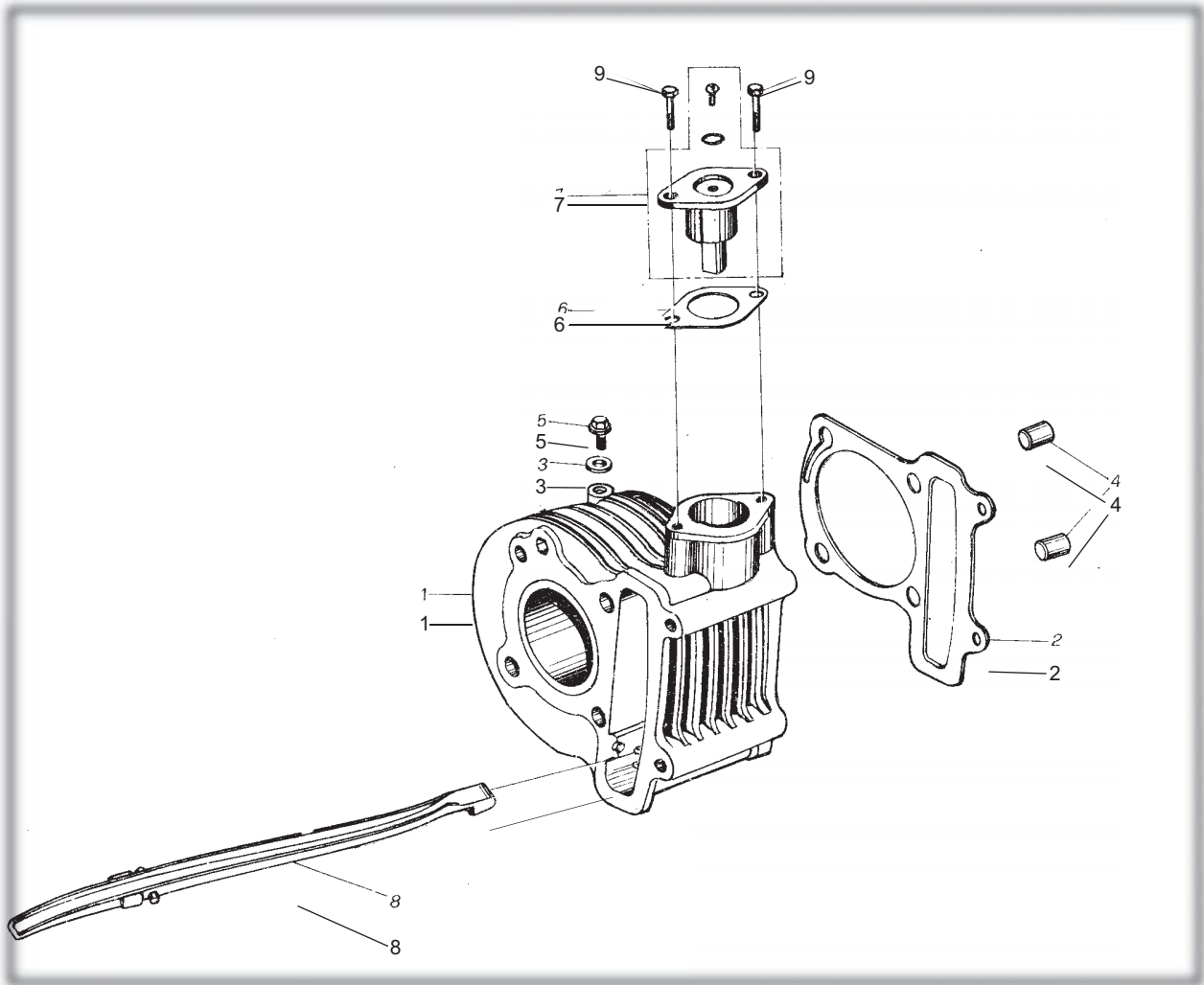
FIG.1

CYLINDER HEAD ASSY.

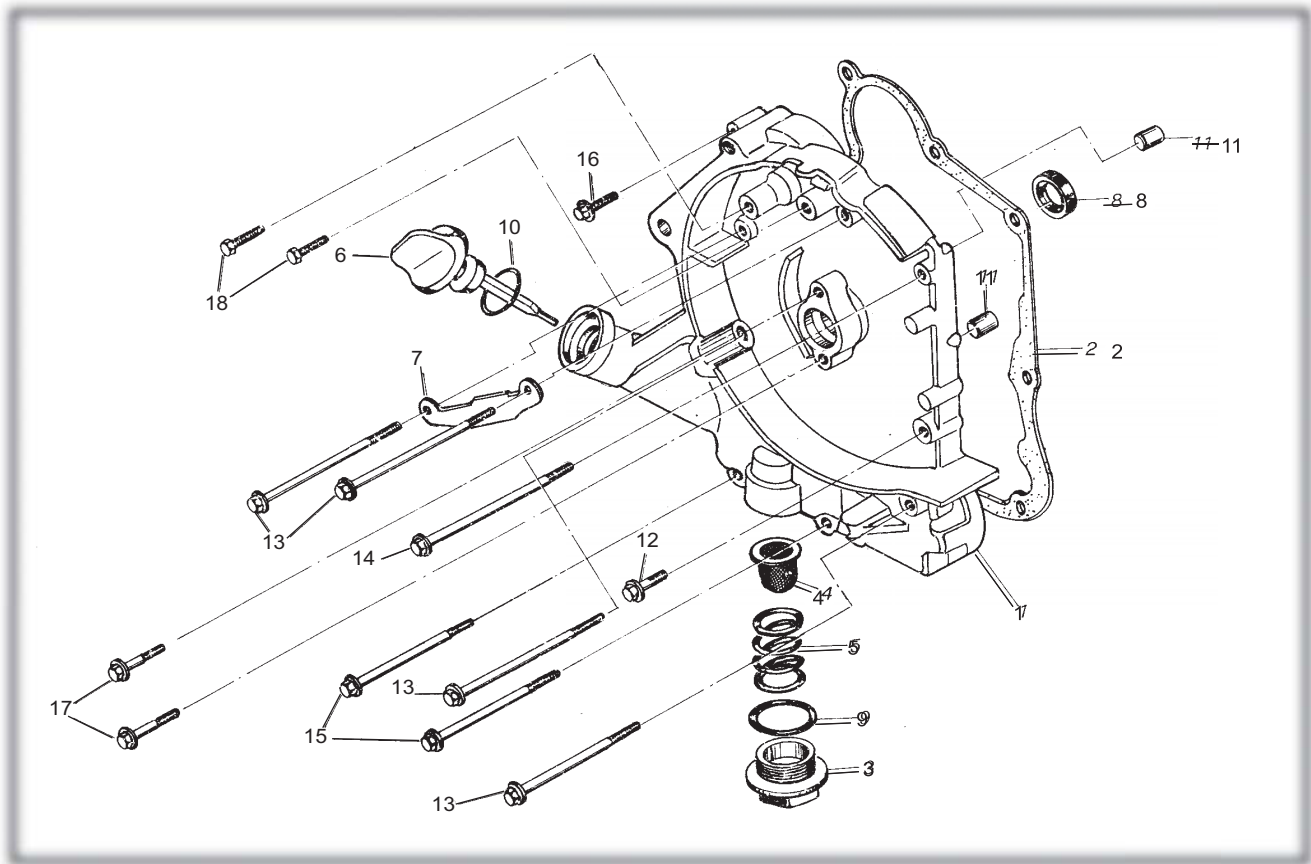


CYLINDER HEAD ASSY.				
REF NO.	PART NO.	DESCRIPTION	REGD NO.	
1	M150-100-1320	CYLINDER HEAD SUBASSY	1	
2	98056-57713-00	SPARK PLUG (C7HSA NGK)	1	
3	M150-1001010	CYLINDER HEAD GASKET	1	
4	M150-1001004	CARBURETOR INSULATOR GASKET	1	
5	M150-1001005	CARBURETOR INSULATOR	1	
6	M150-1001210	PIPE COMP. IN	1	
7	M150-1001220	INSULATOR BAND	1	
8	M150-1001103	HEAD COVER GASKET	1	
9	M150-1001201	O-RING 27X2	1	
10	M150-1001001	BREATHER TUBE	1	
11	M150-1001011	STUD BOLT M6X18	2	
12	M150-1001006	STUD BOLT M6X50	2	
13	M150-B-1003075	FLANGE BOLT M6X25	4	
14	95500-06001-KAS	NUT FLANGE M6-ZN. D	2	
15	M150-1001100	CYLINDER HEAD COVER COMP.	1	
16	M150-1001007	DOWEL PIN 10X16	2	
17	M150-1003007	CYLINDER HEAD BOLT FLANGE M6X100	2	
18	M150-1001301	IN VALVE	1	
19	M150-1001310	VALVE STEM SEAL	2	
20	M150-1001302	VALVE SPRING OUTER SEAT	2	
21	M150-1001303	VALVE OUTER, INNER SPRING	2	
22	M150-1001305	VALVE SPRING RETAINER	2	
23	M150-1001306	VALVE COTTER	4	
24	M150-1001307	EX. VALVE	1	
25	M150-100-1320-C	CYLINDER HEAD ASSY	1	

CYLINDER ASSY.



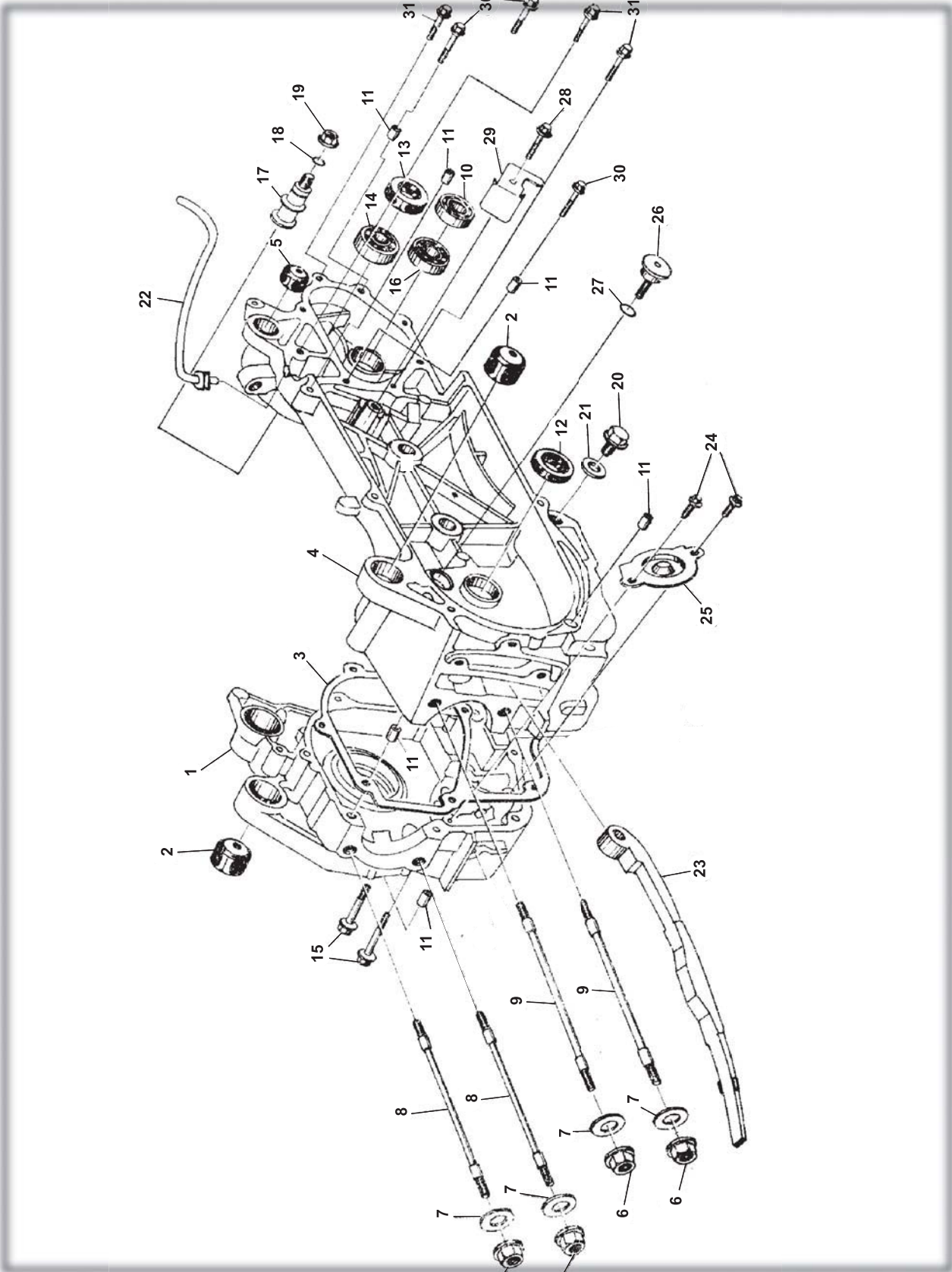
CYLINDER ASSY.				
REF NO.	PART NO.	DESCRIPTION	REGD NO.	
1	M150-1002200	CYLINDER COMP.	1	
2	M150-1002001	CYLINDER GASKET	1	
3	90442-06000-KAT	WASHER SEALING 6	1	
4	M150-1001007	DOWEL PIN 10X16	2	
5	96001-06012-KAT	FLANGE BOLT M6X12-ZN. D	1	
6	M150-1002002	GASKET TENSIONER LIFTER	1	
7	M150-1002100	TENSIONER LIFTER ASSY.	1	
8	M150-1002300	CAM CHAIN GUIDE COMP.	1	
9	96001-06020-KAT	FLANGE BOLT 6X20	2	

CRANKCASE ASSY. (1)**CRANKCASE ASSY.(1)**

REF NO.	PART NO.	DESCRIPTION	REGD NO.	
1	M150-1003101-B	R CRANKCASE COVER COMP.	1	
2	M150-1003013	CRANKCASE COVER GASKET	1	
3	M150-1003104	CAP TAPPET ADJUSTING HOLE	1	
4	M150-1003120	OIL FILTING SCREEN	1	
5	M150-1003102	OIL FILTING SCREEN SPRING	1	
6	M150-1003105	OIL LEVEL GAUGE	1	
7	M150-1003006	AC GENERATOR CORD CLAMPER	1	
8	M150-1003110	OIL SEAL 19.8X30X5	1	
9	M150-1003103	O-RING 30.8X3	1	
10	M150-1003307	O-RING 18X3	1	
11	M150-1003005	DOWEL PIN 8X14	2	
12	96001-06032-KAT	FLANGE BOLT M6X28	1	
13	M150-1003012	FLANGE BOLT M6X95	4	
14	M150-1003007	FLANGE BOLT M6X100	1	
15	M150-1003008	FLANGE BOLT M6X110	2	
16	M150-1003034	FLANGE BOLT M6X35	1	
17	M150-1003106	FLANGE BOLT M6X20	2	
18	92101-05012-OH	HEX BOLT M5X12-ZN.D	2	

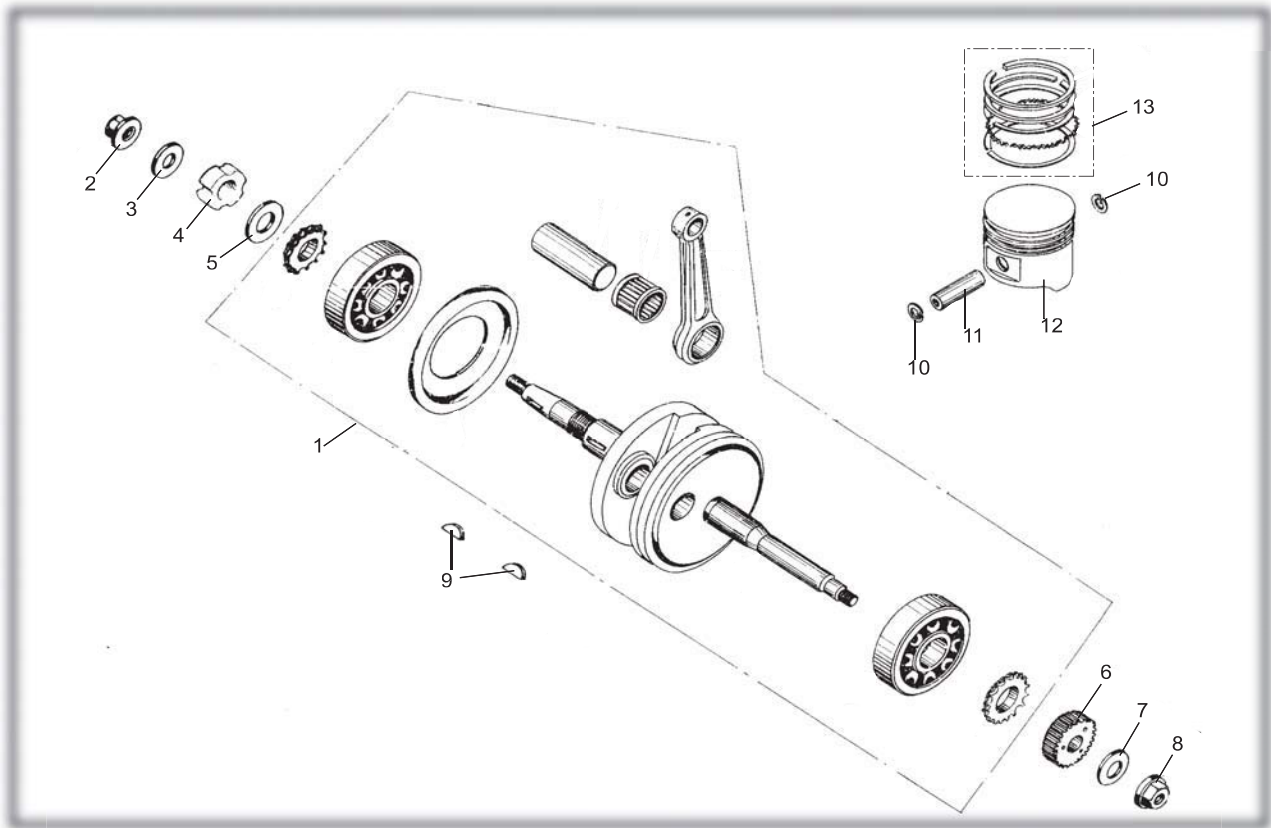
FIG.4

CRANKCASE ASSY. (2)



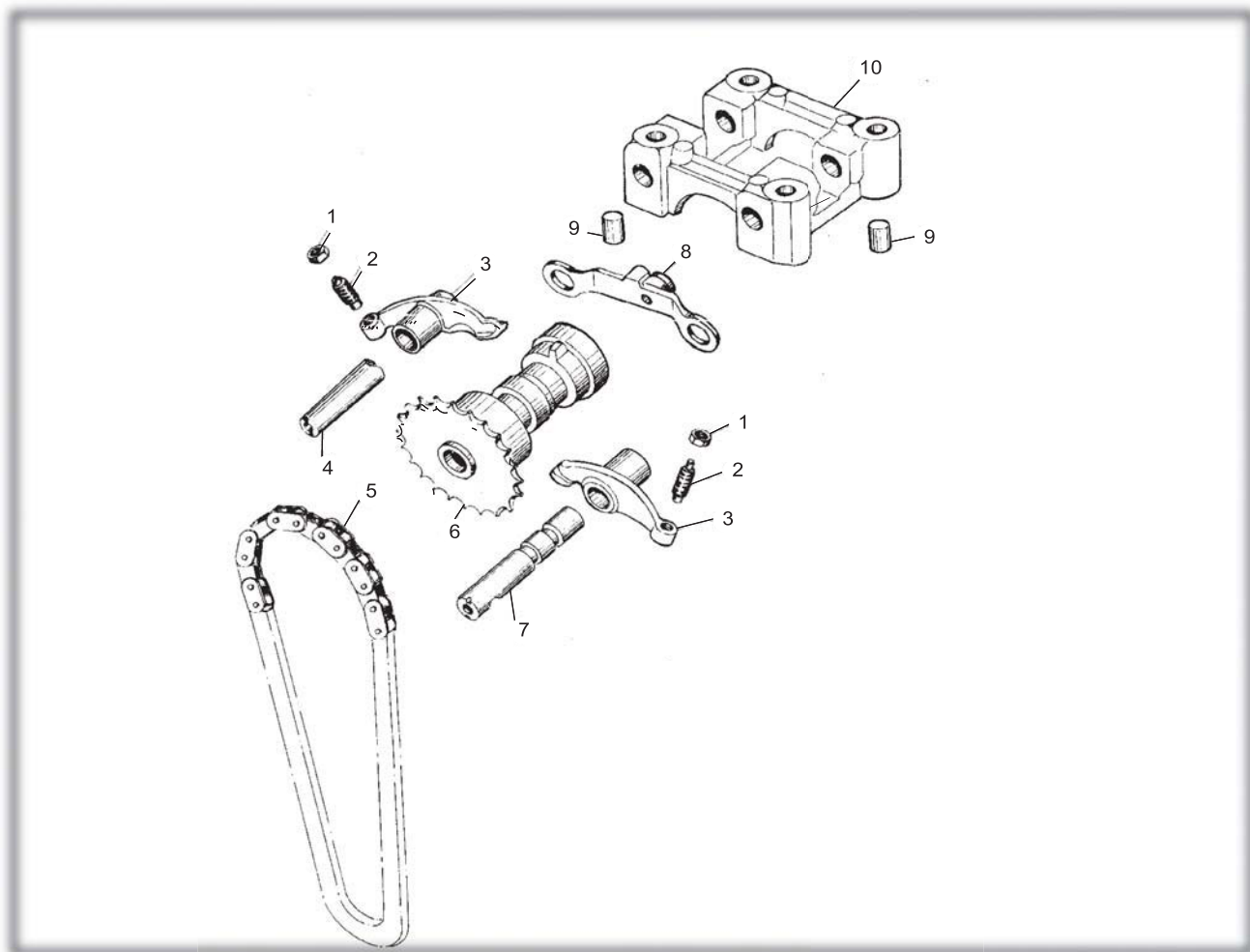
CRANKCASE ASSY.				
REF NO.	PART NO.	DESCRIPTION	REGD NO.	
1	M150-1003210-B	CRANKCASE ASSY. R	1	
2	M150-1003320	ENGINE HANGER RUBBER BUSH	2	
3	M150-1003014	CRANKCASE GASKET	1	
4	M150-1003310	CANKCASE ASSY. L	1	
5	M150-1003330	RR CUSHION UNDER RUBBER BUSH	1	
6	M150-1003003	FLANGE NUT M8	4	
7	M150-1003004	WASHER $\Phi 8$	4	
8	M150-1003001	STUD BOLT M8X187.5	2	
9	M150-1003002	STUD BOLT M8X195.5	2	
10	91004-E6002-KAT	RADIAL BALL BEARING E6002	1	
11	M150-1003005	DOWEL PIN 8X14	6	
12	M150-1003110	OIL SEAL 19.8X30X5	1	
13	M150-1003340	OIL SEAL 27X42X7	1	
14	91004-E6004-2RS	RADIAL BALL BEARING E6004-2RS	1	
15	M150-1003032	FLANGE BOLT M6X50	2	
16	91004-E6301-KAT	RADIAL BALL BEARING E6310	1	
17	M150-1003015	BRAKE SHOE ANCHOR PIN	1	
18	M150-1003016	OIL SEAL 7.5X15	1	
19	M150-1003600	FLANGE NUT M8	1	
20	M150-1003018	DRAIN PLUG BOLT M12	1	
21	M150-1003019	DRAIN PLUG WASHER $\Phi 12$	1	
22	M150-1003400	BREATHER TUBE	1	
23	M150-1003500	CAM CHAIN TENSIONER	1	
24	M150-1003203	FLANGE BOLT M6X12	2	
25	M150-1003202	OIL SEPARATOR	1	
26	M150-1003022	CAM CHAIN TENSIONER PIVOT	1	
27	M150-1003023	OIL SEAL 15.2X12	1	
28	96001-06014-KAT	FLANGE BOLT M6X14	1	
29	M150-1003021	KICK RETURN STOPPER PLATE	1	
30	M150-1003009	FLANGE BOLT M6X35	3	
31	M150-1003011	FLANGE BOLT M6X25	3	

CRANKSHAFT CON'ROD & PISTON ASSY.



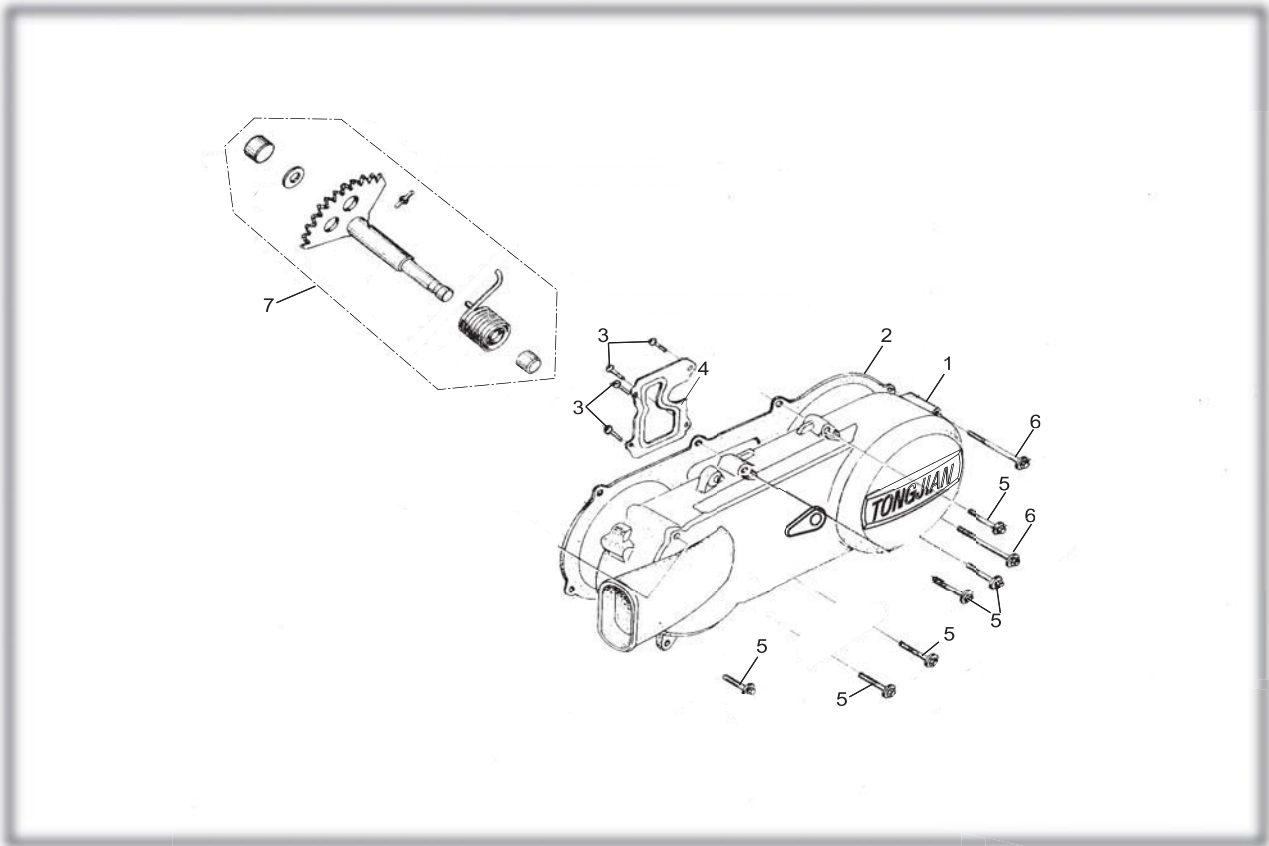
CRANKSHAFT CON'ROD & PISTON ASSY.				
REF NO.	PART NO.	DESCRIPTION	REGD NO.	
1	M150-1004100	CRANKSHAFT & CONROD ASSY.	1	
2	M150-1004007	NUT M12X1.25	1	
3	M150-1004011	WASHER 12-149HV 12-140HV	1	
4	M150-1004009	LOCKING NUT	1	
5	M150-1004013	WASHER	1	
6	M150-1004012	KICK DRIVE GEAR	1	
7	M150-1040005	WASHER $\Phi 12$	1	
8	M150-1004008	NUT M12	1	
9	M150-1004002	WOODRUFF KEY	2	
10	M150-1004003	PISTON PIN CLIP	2	
11	M150-1004006	PISTON PIN	1	
12	M150-1004001	PISTON	1	
13	M150-1004200	PISTON RING SET	1	

CAMSHAFT ASSY.

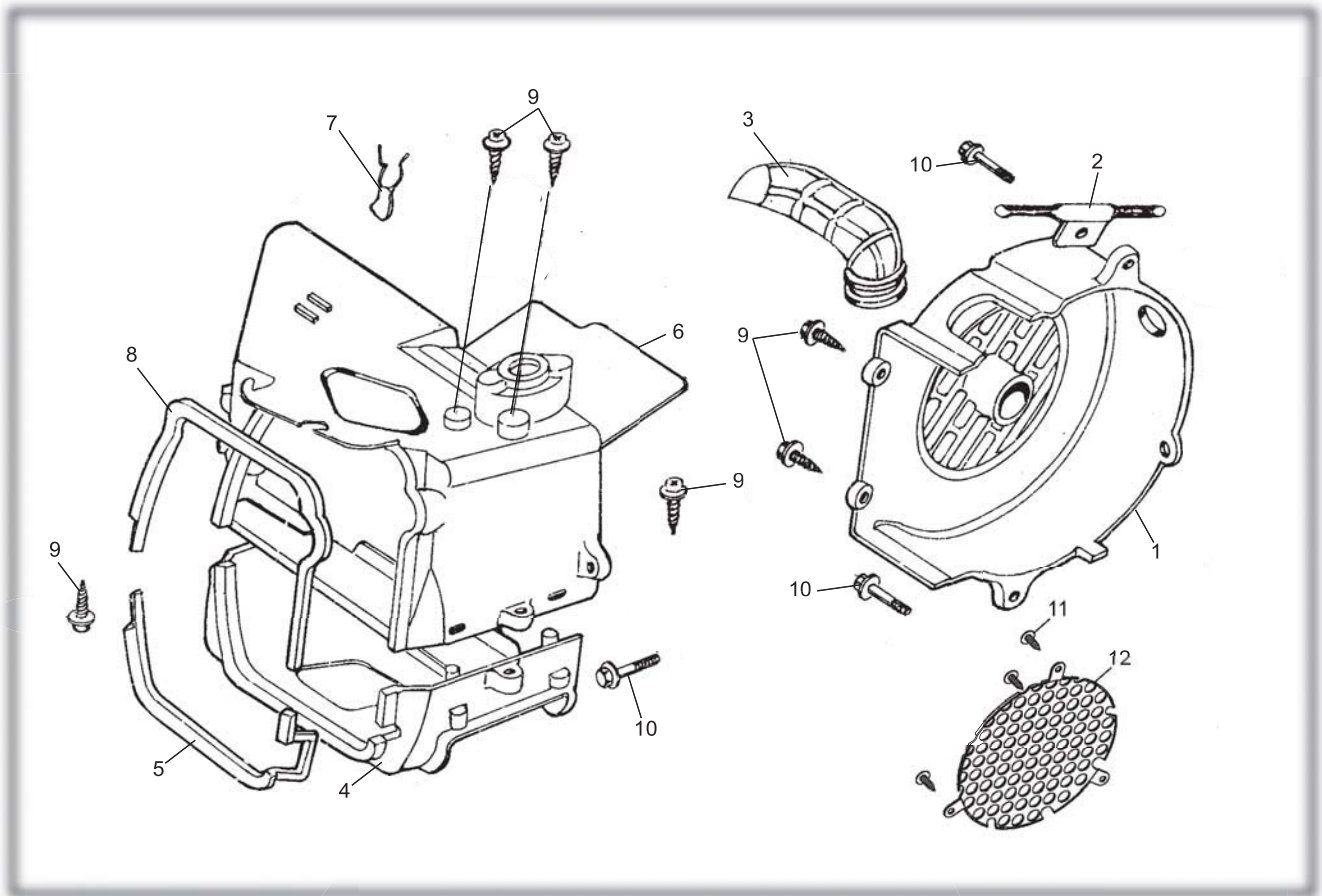


CAMSHAFT ASSY.				
REF NO.	PART NO.	DESCRIPTION	REGD NO.	
1	M150-1005004	TAPPET ADJUSTING NUT	2	
2	M150-1005003	TAPPET ADJUSTING SCREW	2	
3	M150-1005002	VALVE ROCKER ARM	2	
4	M150-1005005	EX ROCKER ARM SHAFT	1	
5	M150-1005400	CAMSHAFT CHAIN	1	
6	M150-1005300	CAMSHAFT COMP. 16T	1	
7	M150-1005200	IN ROCK ARM SHAFT COMP.	1	
8	M150-1005100	STOPPER PLATE COMP.	1	
9	M150-1001007	DOWEL PIN 10X16	2	
10	M150-1005001	CAMSHAFT HOLDER	1	

LEFT COVER ASSY.

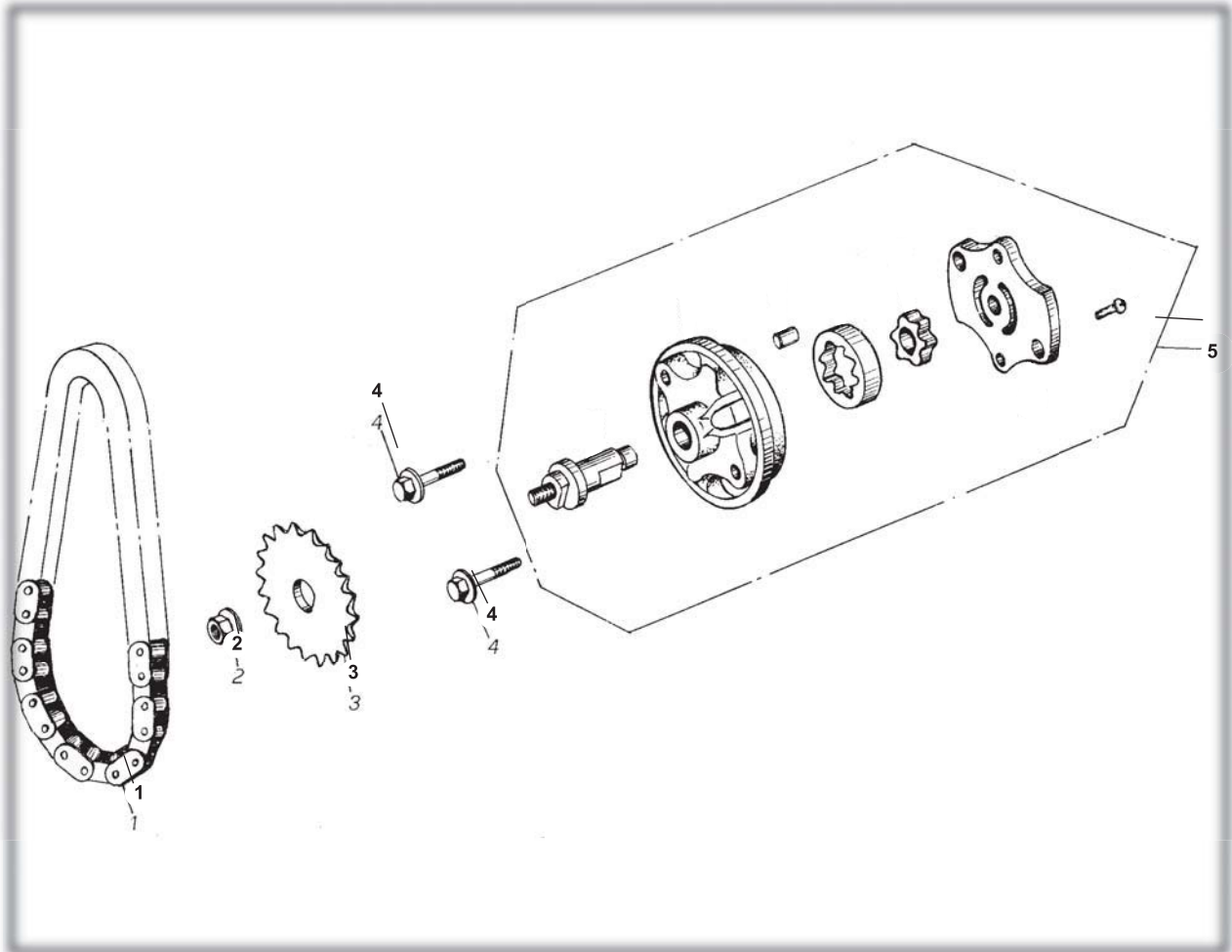


LEFT COVER ASSY.				
REF NO.	PART NO.	DESCRIPTION	REGD NO.	
1	M150-1008101	COVER L	1	
2	M150-1008005	L COVER GASKET	1	
3	93903-00428-KAT	TAPPING SCREW ST4.2X8-F-H	4	
4	M150-1008102	L COVER PLATE	1	
5	M150-1003034	FLANGE BOLT M6X40	6	
6	M150-1008006	FLANGE BOLT M6X65	2	
7	M150-1008200	KICK STARTER ASSY. SPINDLE COMP.	1	

FAN COVER AND SHROUD ASSY.**FAN COVER AND SHROUD ASSY.**

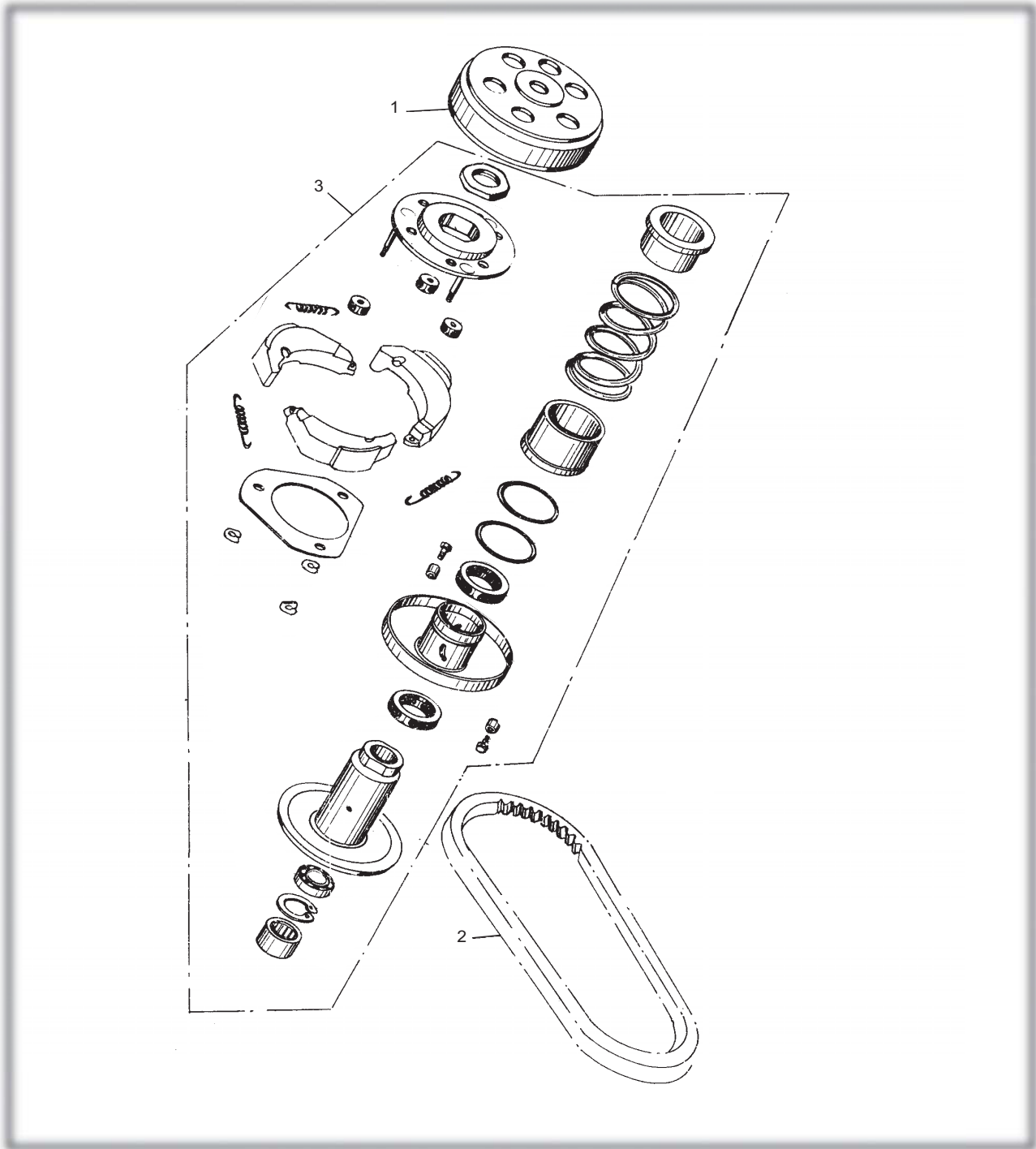
REF NO.	PART NO.	DESCRIPTION	REGD NO.	
1	M150-1009410	FAN COVER COMP.	1	
2	M150-1009002	STARTER CABLE CLAMPER	1	
3	M150-1009401	CARBURETOR COOLING DUCT	1	
4	M150-1009301	LOWER SHROUD	1	
5	M150-1009302	LOWER SHROUD SEAL	1	
6	M150-1009110	UPPER SHROUD COMP.	1	
7	M150-1009103	HIGH TENSION CORD CLIP	1	
8	M150-1009102	UPPER SHROUD SEAL	1	
9	M150-1009402	SCREW ST4.8X16-F	6	
10	M150-1003075	BOLT M6X25	3	
11	ST3.5X13 GB845	SCREW ST3.5×13-F	3	
12	8.020.179	DUST COVER	1	

OIL PUMP ASSY.



OIL PUMP ASSY.				
REF NO.	PART NO.	DESCRIPTION	REGD NO.	
1	M150-1021000	CHAIN OIL PUMP	1	
2	M150-1020002	NUT FLANGE M6	1	
3	M150-1020001	SPROCKET OIL PUMP DRIVEN	1	
4	M150-B-1003075	BOLT M6X25	2	
5	M150-1022000	OIL PUMP SUB ASSY.	1	

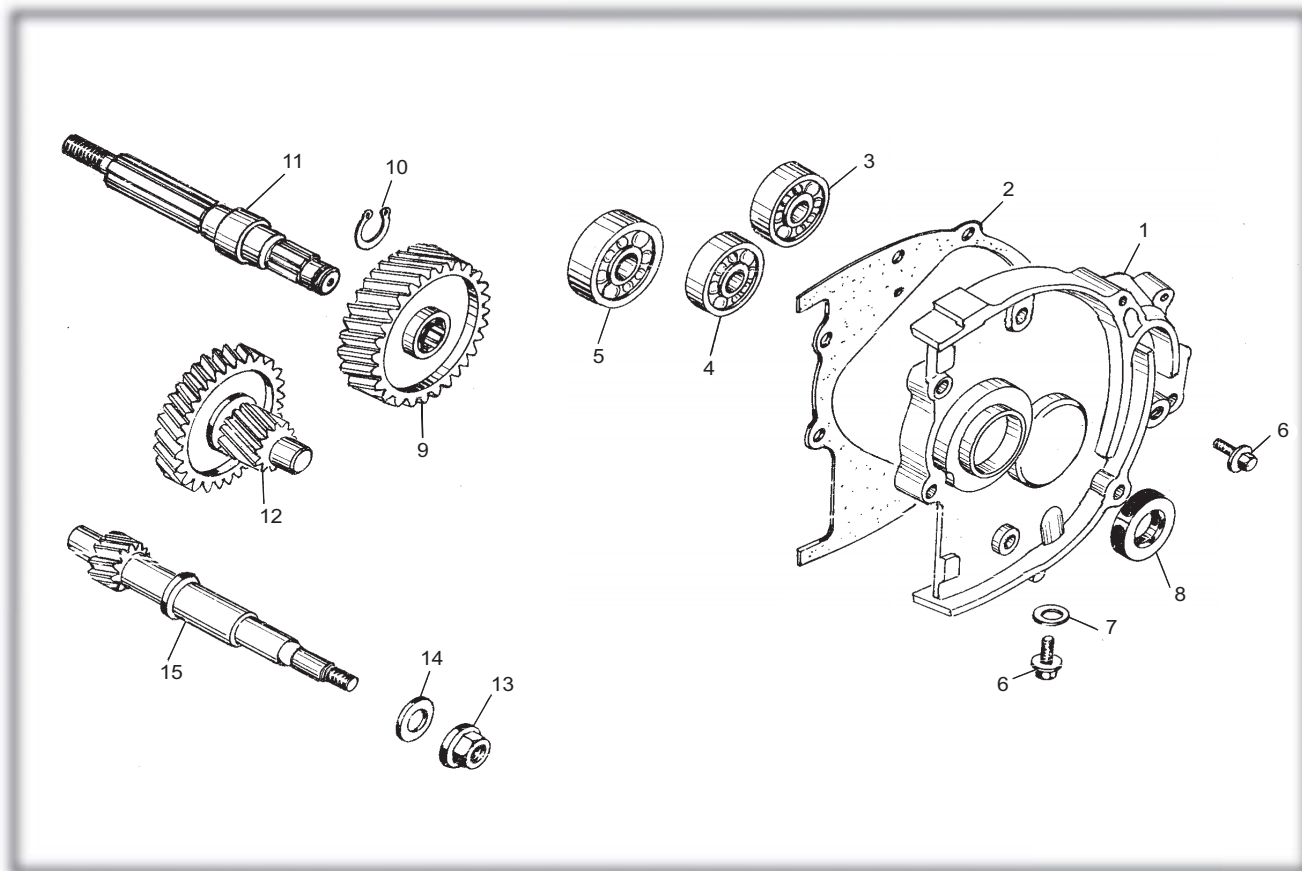
DRIVEN PULLEY AND CLUTCH SUBASSY.



DRIVEN PULLEY AND CLUTCH SUBASSY.

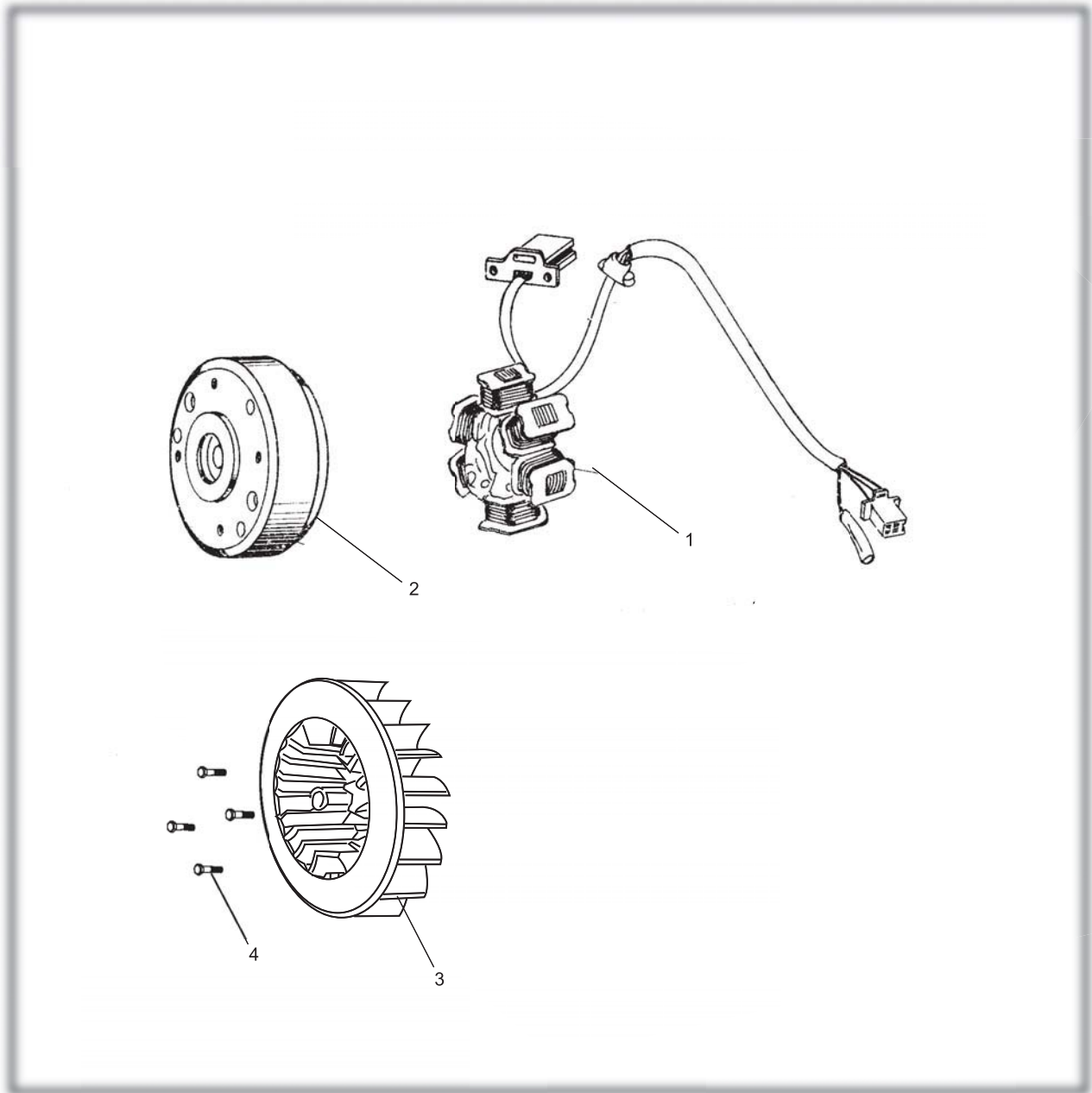
REF NO.	PART NO.	DESCRIPTION	REGD NO.	
1	M150-1032000	CLUTCH ASSY. OUTER	1	
2	M150-1033000	DRIVE BELT	1	
3	M150-1031000	DRIVEN PULLEY ASSY.	1	

TRANSMISSION ASSY.



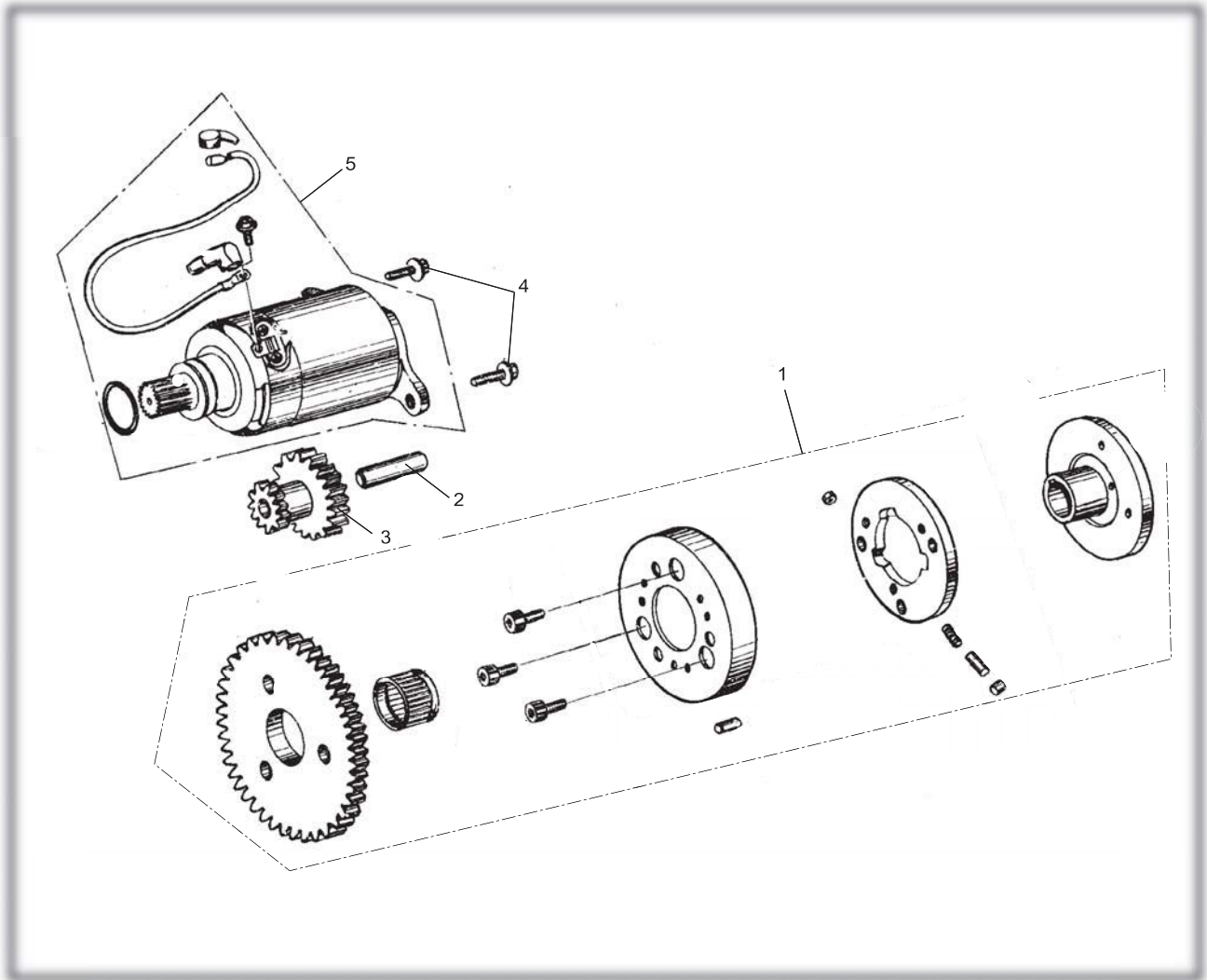
TRANSMISSION ASSY.				
REF NO.	PART NO.	DESCRIPTION	REGD NO.	
1	M150-1040001	TRANSMISSION COVER	1	
2	M150-1041000	TRANSMISSION COVER GASKET	1	
3	91004-E6203-KAT	RADIAL BALL BEARING E6203	1	
4	91004-E6202-KAT	RADIAL BALL BEARING E6202	1	
5	91004-E6204-KAT	RADIAL BALL BEARING E6204	1	
6	M150-1040008	SPECIAL BOLT M8X12	2	
7	M150-1040002	WASHER Φ8	1	
8	M150-1042000	OIL SEAL 20X32X6	1	
9	M150-1040004	FINAL GEAR	1	
10	94510-20000	EXTERNAL CIRCLIP 20	1	
11	M150-1040003	FINAL SHAFT	1	
12	M150-1043000	COUNTER SHAFT COMP.	1	
13	M150-1040007	COMPRESSOR FLANGE NUT M12	1	
14	M150-1040005	WASHER Φ12	1	
15	M150-1040006	DRIVE SHAFT	1	

ELECTRIC SYSTEM



ELECTRIC SYSTEM				
REF NO.	PART NO.	DESCRIPTION	REGD NO.	
1	M150-1051200-8	STATOR COMP.	1	
2	M150-1051100	FLYWHEEL COMP.	1	
3	M150-1051100-3	COOLING FAN COMP.	1	
4	M150-1051100-4	FLANGE BOLT M6x18	4	

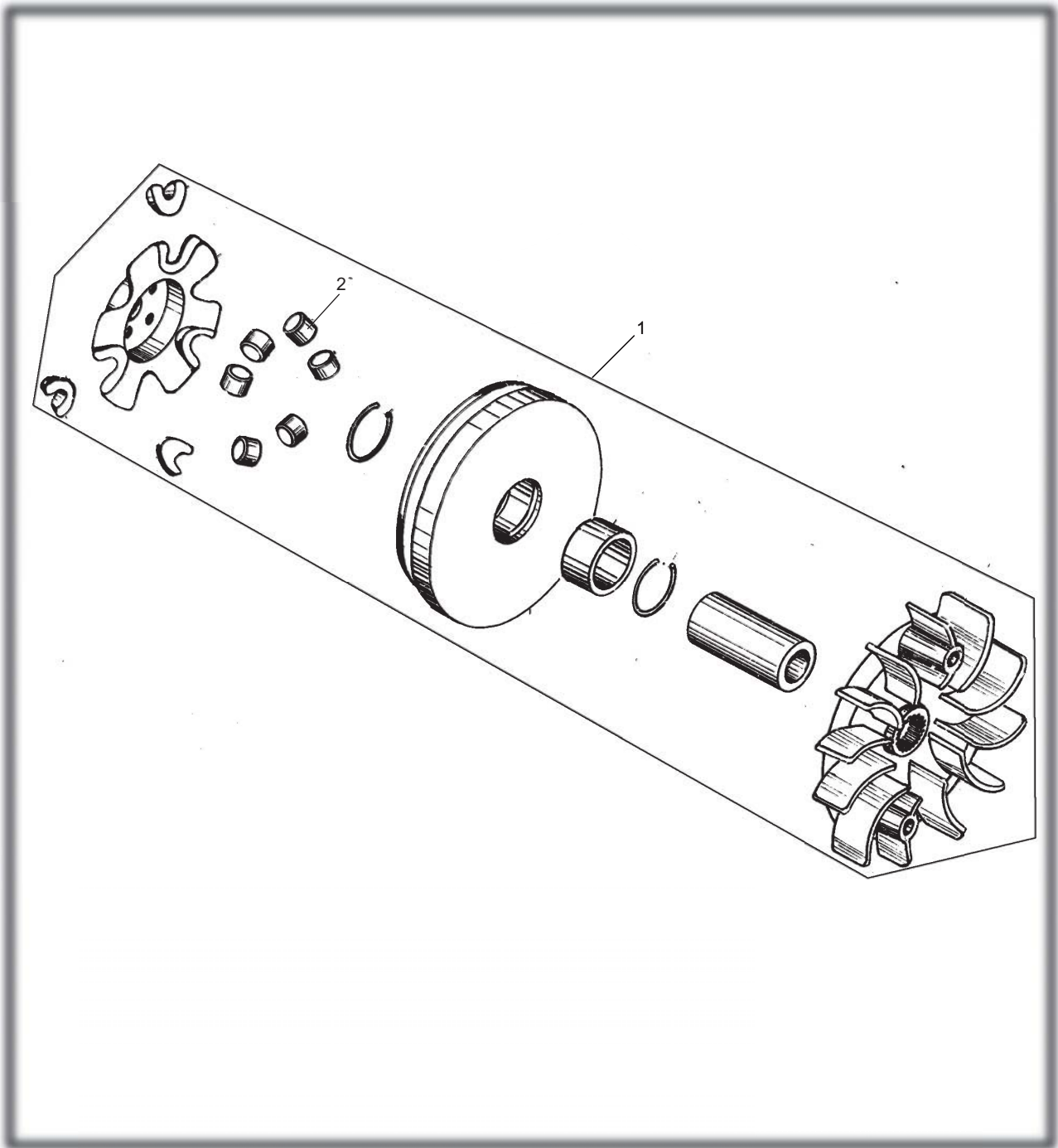
ELECTRIC STARTER ASSY.



ELECTRIC STARTER ASSY.

REF NO.	PART NO.	DESCRIPTION	REGD NO.	
1	M150-1060001	FLANGE STARTING CLUTCH	1	
2	M150-1060002	STARTER REDUCTION GEAR SHAFT	1	
3	M150-1060003	STARTER REDUCTION GEAR	1	
4	M150-1060005	FLANGE BOLT M6X16	2	
5	M150-1064000	STARTER MOTOR ASSY.	1	

DRIVE PULLEY SUBASSY.

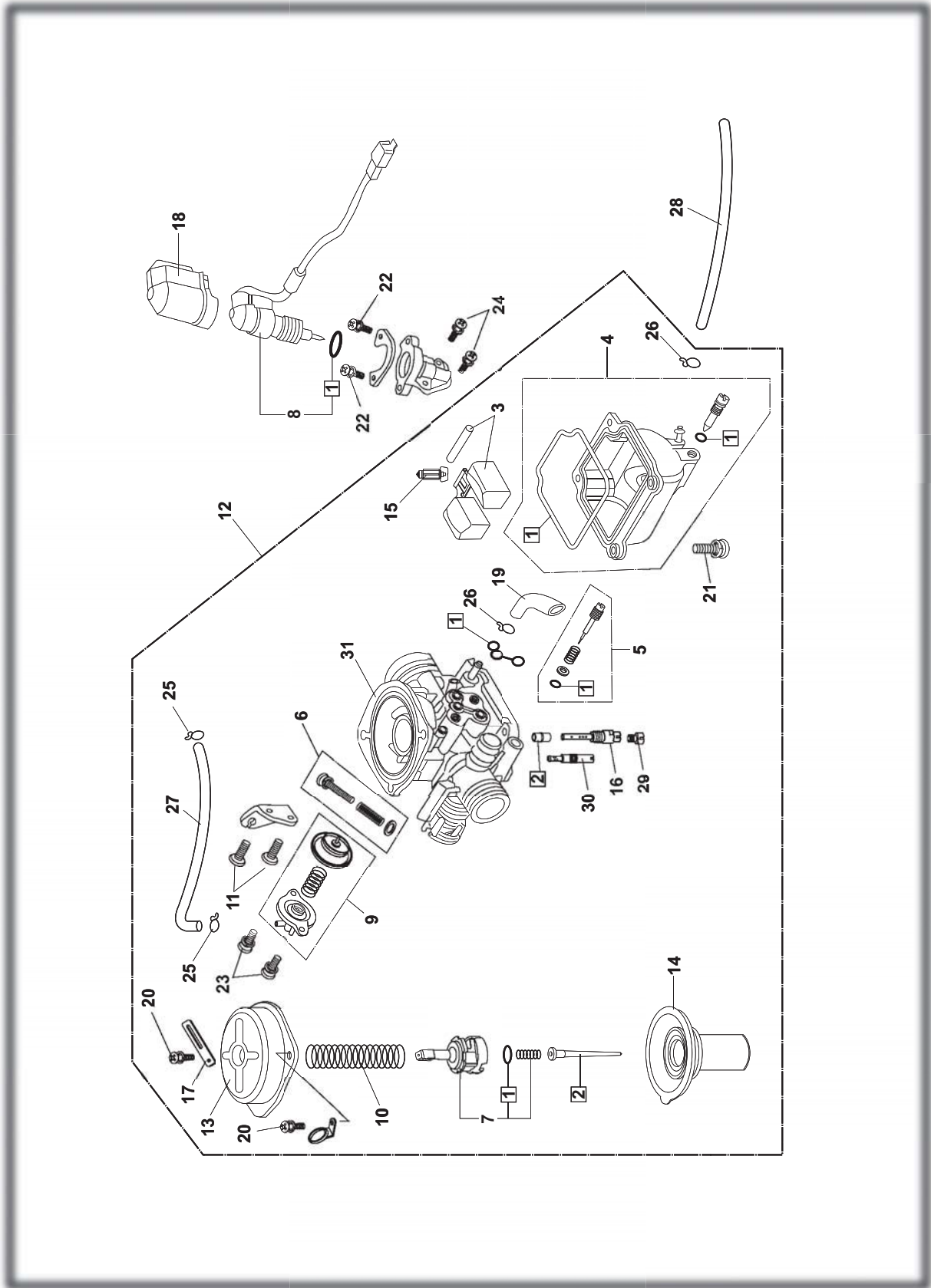


DRIVE PULLEY SUBASSY.

REF NO.	PART NO.	DESCRIPTION	REGD NO.	
1	M150-1071000	MOVABLE DRIVE PULLEY ASSY.	1	
2	M150-10710002	ROYER	6	

FIG.15

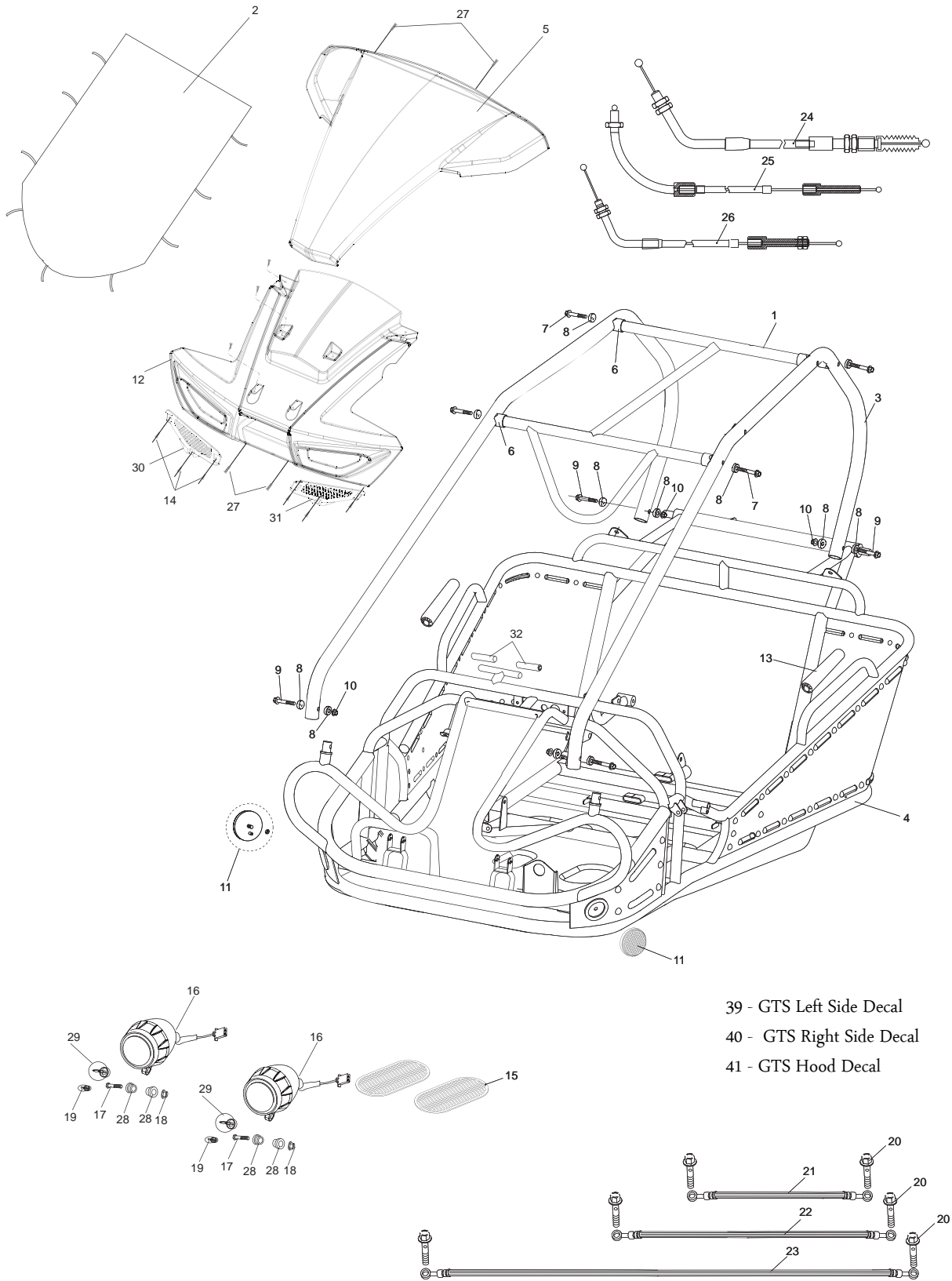
CARBURETOR



CARBURETOR				
REF NO.	PART NO.	DESCRIPTION	REGD NO.	
1	16010-KAT-901	GASKET SET A	1	
2	16012-KAT-903	JET NEEDLE SET	1	
3	16013-KAT-904	FLOAT SET	1	
4	16015-KAT-905	FLOAT CHAMBER SET	1	
5	16016-KAT-906	SCREW SET A	1	
6	16028-KAT-907	SCREW SET B	1	
7	16037-KAT-908	VALVE PLATE SET	1	
8	16046-KAT-909	AUTO BYSTARTER ASSY.	1	
9	16048-KAT-910	AIR CUT VALVE SET	1	
10	16050-KAT-911	COMPRESSION COIL SPRING	1	
11	16080-KJ9-003	PAN SCREW M5x12	1	
12	16100-KAT-913	CARBURETOR ASSY.	2	
13	16107-KAT-914	TOP	1	
14	16111-KAT-915	VACUUM PISTON COMP.	1	
15	16155-KAT-902	FLOAT VALVE COMP.	1	
16	16165-KAT-916	NEEDLE JET HOLDER	1	
17	16179-KAB-670	BINDER	1	
18	16190-GJ2-004	HOLDER CAP.	1	
19	95005-45270-50	TUBE	1	
20	93500-04008	PAN SCREW M4x8	1	
21	93500-04014-1H	PAN SCREW M4x14	2	
22	93892-04008-18	SCREW-WASHER M4x8	4	
23	93892-04010-18	SCREW-WASHER M4x10	2	
24	93892-05012-18	SCREW-WASHER M5x12	2	
25	95002-02079	TUBE CLIP (B7)	2	
26	95002-02089	TUBE CLIP (B8)	2	
27	95005-35200-21	TUBE 3.5x210	2	
28	16199-GT8-600	TUBE	1	
29	99101-GHB-0112	MAIN JET 112#	1	
30	99103-GY6-0350	SLOW JET 35#	1	
31	16100-KAT-923	CARBURETOR BODY	1	

FIG.16

FRAME GROUP

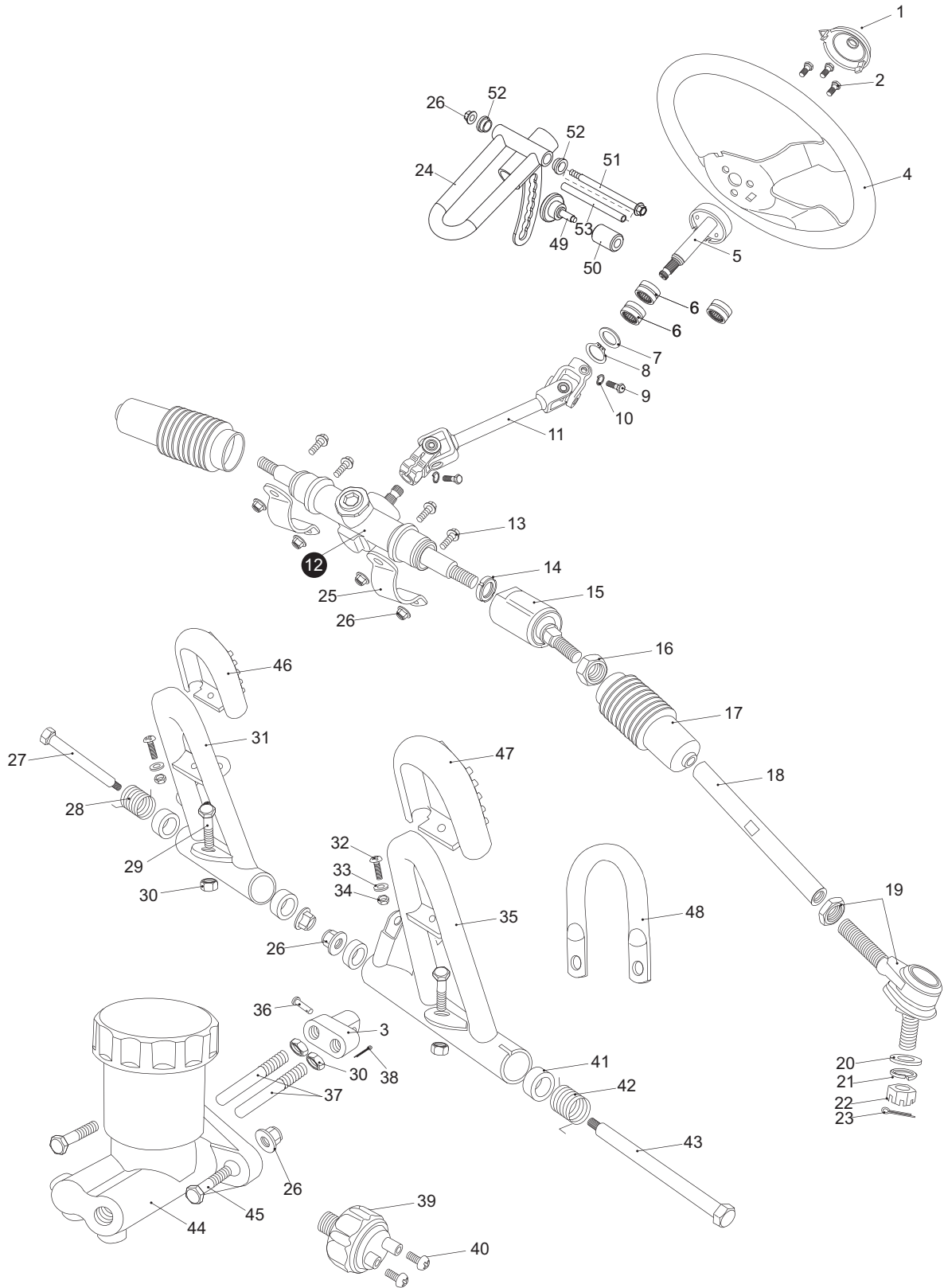


39 - GTS Left Side Decal
40 - GTS Right Side Decal
41 - GTS Hood Decal

FRAME GROUP				
REF NO.	PART NO.	DESCRIPTION	REGD NO.	
1	13-0101-00	C.B.C. CROSS BAR	1	
2	13-0801-00	CANOPY TOP	1	
3	13-0102-00	C.B.C. BAR CAGE(B.R.S)	2	
4	8.070.066	FRAME COMP.(B.R.S.)	1	
5	13-0201-00	FR. HOOD, UPPER	1	
6	7.010.017	TUBE SEAT Φ 25	8	
7	9.908.055N	SOCKET BOLT M8X1.25X55	8	
8	7.010.049	R-WASHER	16	
9	9.908.050N	SOCKET BOLT M8X1.25X50	4	
10	9.220.008	LOCKING FLANGE NUT M8	4	
11	6.000.144	FRONT REFLECTOR	2	
12	13-0202-03	FR. HOOD, LOWER	1	
13	6.000.083	FOAM PADDING	2	
14	003-050016-00	SCREW BOLT, M5X16	12	
15	7.020.012	RUBBER FOOT PLATE	2	
16	13-0206-00	HEADLIGHT UNIT	2	
17	9.108.050	FLANGE BOLT M8 x 1.25 x 50	2	
18	9.220.008	NUT M8	2	
19	9.000.004	POSITION LIGHT BULB 3W 12V	2	
20	9.700.004	BANJO BOLT M10x24	6	
21	6.000.089	BRAKE HOSE ASSY. L. 34"	1	
22	6.000.090	BRAKE HOSE ASSY. R. 43"	1	
23	6.000.091	BRAKE HOSE ASSY. RR. 75"	1	
24	6.000.034B	THROTTLE CABLE COMP.	1	
25	6.000.040	REVERSE CABLE COMP.	1	
26	6.000.050	PARKING BRAKE CABLE COMP.	1	
27	003-060012-00	PAN SCREW, M6X12	4	
28	7.020.049	HEADLIGHT RUBBER MOUNT	4	
29	9.090.003	HEADLIGHT BULB 35W/35W/ 12V	2	
30	13-0203-03R	GRILL ORNAMENT, RH.	1	
31	13-0203-03L	GRILL ORNAMENT, LH.	1	
32	13-0501-00	GRIP, HANDLEBAR	1	
33	6.000.102	FRONT FENDER BRACKET, R	1	
34	9.106.014	FLANGE BOLT M6X14	6	
35	7.010.034	FENDER, FR	2	
36	6.000.067	FRONT FENDER BRACKET, L	1	
37	9.100.640	BOLT M6X40	2	
38	9.210.008	LOCKING FLANGE NUT M8	10	
39	13-0207-00L	SIDE BODY STICKER LEFT	1	
40	13-0207-00R	SIDE BODY STICKER RIGHT	1	
41	13-0208-00	HOOD DECAL	1	

FIG.17

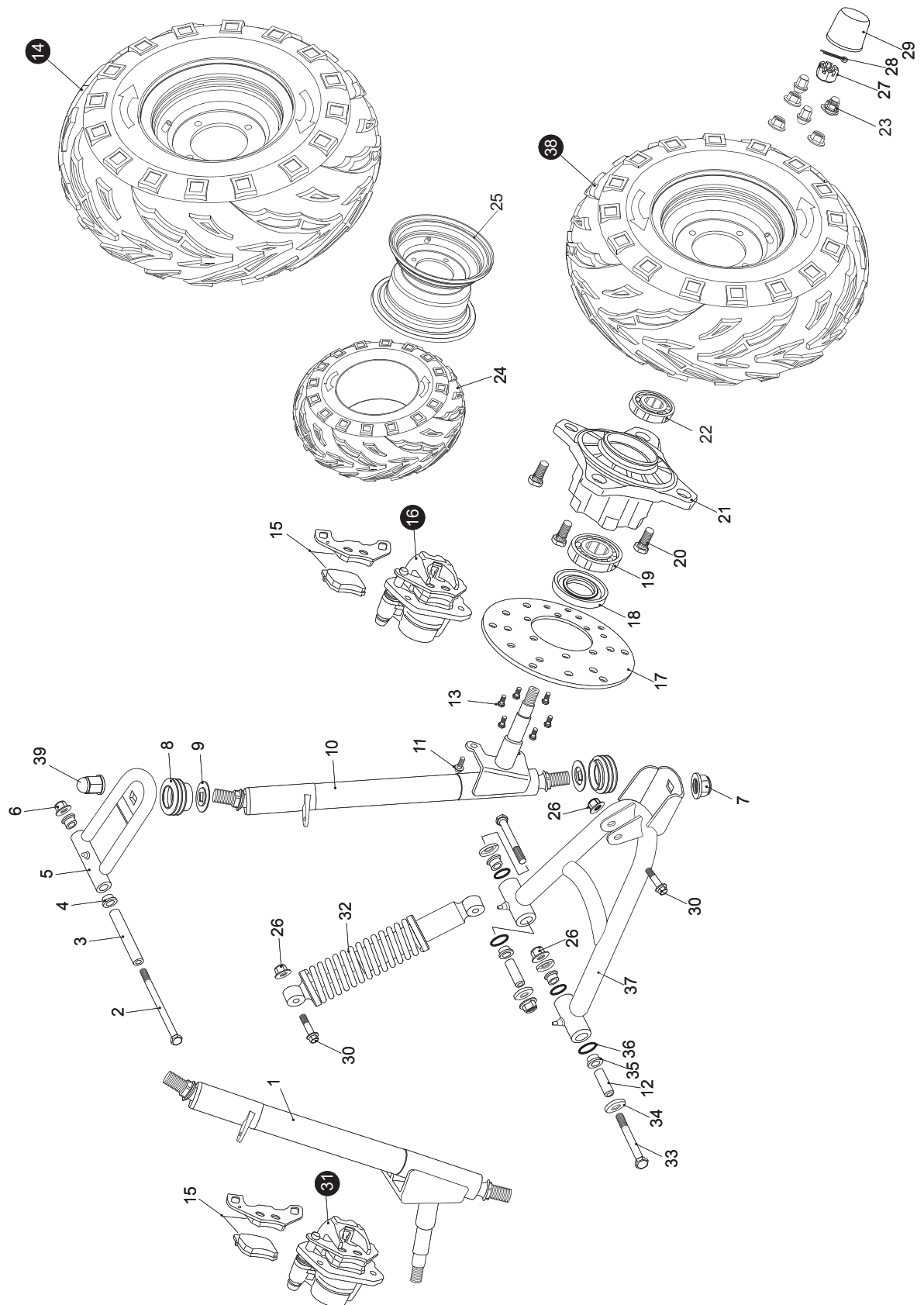
STEERING SHAFT ASSY.



STEERING SHAFT ASSY.				
REF NO.	PART NO.	DESCRIPTION	REGD NO.	
1	7.010.041	STEERING BOLT COVER	1	
2	9.100.612	BOLT STRAP M6x12	3	
3	8.030.024	SPINDLE BRACKET	1	
4	7.020.038	STEERING WHEEL	1	
5	6.000.122	STEERING SHAFT	1	
6	9.030.012	BEARING NK20/16	2	
7	9.700.020	SPECIAL WASHER Φ 20	1	
8	9.700.120	CIRCLIP Φ 20	1	
9	9.100.825	BOLT M8x25	2	
10	9.400.008	LOCKING WASHER Φ 8	2	
11	6.000.093-250	STEERING KNUCKLE	1	
12	4.000.008-250	STEERING GEAR	1	
13	9.108.025	FLANGE BOLT M8x1.25x25	4	
14	9.900.016	ROUND NUT M16x1.5	2	
15	4.000.008	STEERING BALL JOINT	2	
16	9.200.010	NUT M10	2	
17	7.020.002-250	BALL JOINT DUST COVER. L.	2	
18	8.010.157-250	TIE ROD	2	
19	6.000.062-250	ROD END	2	
20	9.300.010	FLAT WASHER Φ 10	2	
21	9.400.010	LOCKING WASHER Φ 10	2	
22	9.800.010	CASTLE NUT M10	2	
23	9.500.215	COTTER PIN Φ 2x15	2	
24	4.000.051	TILT STEERING HOUSING FB	1	
25	8.020.014	STEERING GEAR BRACKET	2	
26	9.220.008	LOCKING FLANGE NUT. M8	8	
27	9.708.145	THROTTLE PEDAL BOLT M8x1.25x145	1	
28	8.040.001	THROTTLE PEDAL RETURN SPRING, L	1	
29	9.108.040	FLANGE BOLT M8x1.25x40	2	
30	9.200.008	NUT M8	2	
31	4.000.016	THROTTLE PEDAL COMP.	1	
32	9.600.515	PAN SCREW M5x15	2	
33	9.300.005	FLAT WASHER Φ 5	2	
34	9.210.005	NYLON LOCK NUT M5	2	
35	4.000.015	BRAKE PEDAL COMP	1	
36	9.700.624	PIN 6x24	1	
37	8.010.081	SPINDLE PIN	2	
38	9.500.212	COTTER PIN 2X12	1	
39	6.000.063	BRAKE LAMP SWITCH ASSY.	1	
40	9.600.306	PAN SCREW M3x6	2	
41	7.010.004	PEDAL BUSH	4	
42	8.040.007	BRAKE PEDAL RETURN SPRING, R	1	
43	9.708.222	BRAKE PEDAL BOLT M8x1.25x222	1	
44	6.000.076	MASTER CYLINDER	1	
45	9.108.035	BOLT-WASHER M8x1.25x35	2	
46	7.020.036	THROTTLE PEDAL PAD	1	
47	7.020.037	BRAKER PEDAL PAD	1	
48	8.070.044	MASTER CYLINDER BRACKET	2	
49	8.010.220	ADJUSTING NOB	1	
50	8.010.221	ADJUSTING NOB BLOCK	1	
51	9.108.110	TILT STEERING BOLT	1	
52	7.010.003	TILT STEERING LOCKING BUSH	2	
53	8.010.222	COLLAR	1	

FIG.18

SUSPENSION ARM ASSY.

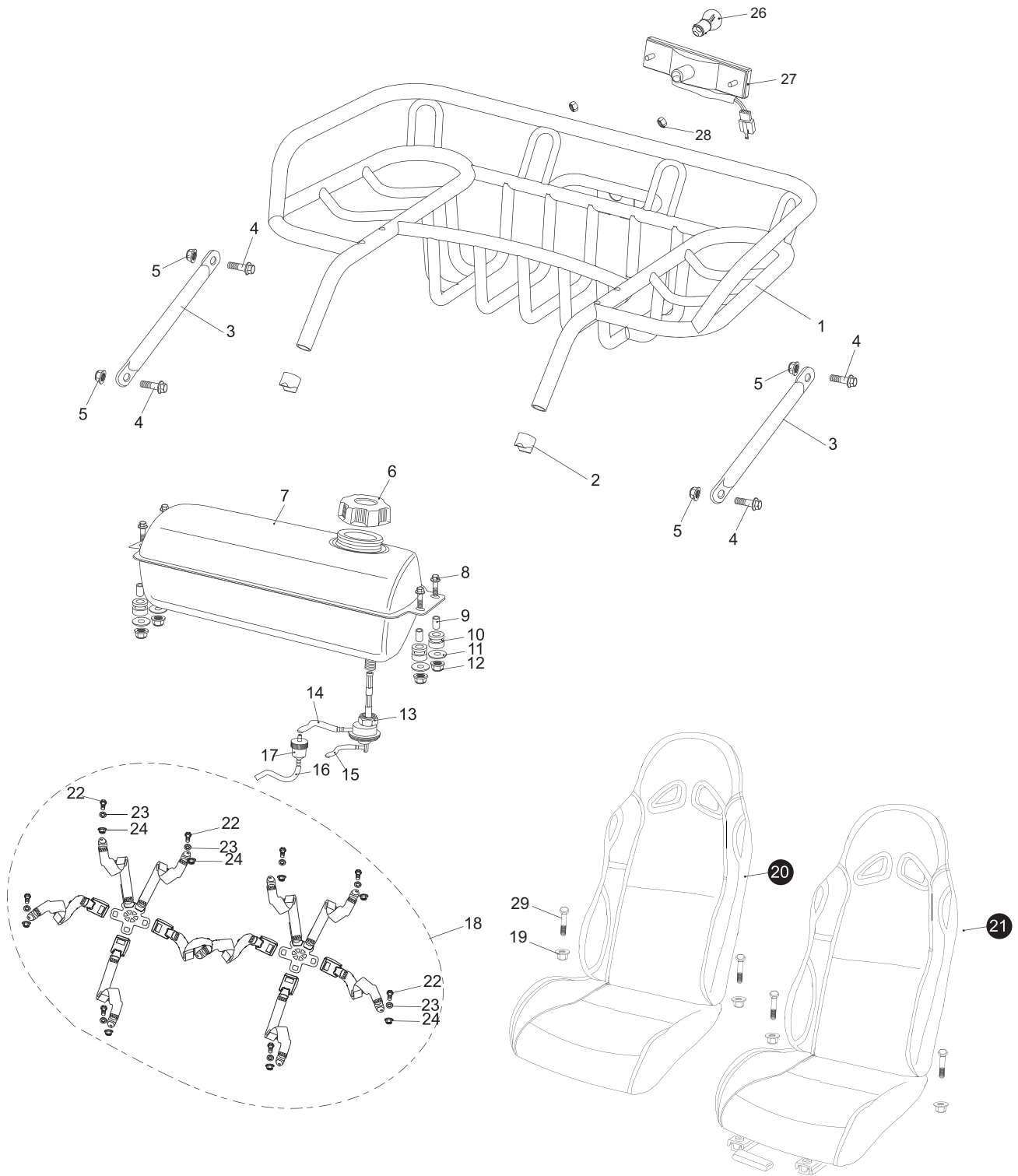


SUSPENSION ARM ASSY.

REF NO.	PART NO.	DESCRIPTION	REGD NO.	
1	2.000.028	STRUT AND SPINDLE SUPPORT, R	1	
2	9.108.105	FLANGE BOLT M8x1.25x105	2	
3	8.010.015	UPPER SUSPENSION ARM COLLAR	2	
4	7.010.003	UPPER SUSPENSION ARM BUSHING	4	
5	4.000.004	UPPER SUSPENSION ARM	2	
6	9.220.008	LOCKING FLANGE NUT. M8	2	
7	7.010.140	LOCKING FLANGE NUT. M12	4	
8	7.020.025	BALL HEAD DUST SEAL	4	
9	8.020.053	BALL HEAD SPACER	4	
10	2.000.027	STRUT AND SPINDLE SUPPORT, L	1	
11	9.908.014	BOLT STRAP M8x14	4	
12	8.010.014	LOWER SUSPENSION ARM COLLAR	4	
13	9.906.012	BOLT STRAP M6x12	12	
14	13-0901-03R	FRONT TIRE & WHEEL, RIGHT 19x7-8	1	
15	7.020.016	PAD SET. FR. BRAKE CALIPER	2	
16	6.000.028	FRONT BRAKE CALIPER. L	1	
17	8.010.054	FRONT DISC BRAKE	2	
18	9.040.002	DUST SEAL 47x25-7	2	
19	9.030.002	BEARING 6204-Z	2	
20	9.710.031	TIRE BOLT M10x1.25x31	8	
21	8.010.085B	FRONT WHEEL HUB	2	
22	9.030.010	BEARING 6202-Z	2	
23	9.220.010	LOCKING FLANGE NUT M10	8	
24	7.020.033	FRONT TIRE, LEFT 19x7-8	1	
		FRONT TIRE, RIGHT 19x7-8	1	
25	002-100080-03	FRONT WHEEL 8" STEEL BLACK	2	
26	9.220.010	LOCKING FLANGE NUT M10	16	
27	9.800.012	CASTLE NUT M12	2	
28	9.500.220	COTTER PIN Φ 2x20	2	
29	7.020.039	FR. HUB COVER.	2	
30	9.110.040	FLANGE BOLT M10x1.25x40	4	
31	6.000.095	FRONT BRAKE CALIPER. R	1	
32	6.000.325	CUSHION ASSY. FR L=325	2	
33	9.110.080	FLANGE BOLT M10x1.25x80	4	
34	8.020.034	LOWER SUSPENSION ARM DUST CAP	8	
35	7.010.002	LOWER SUSPENSION ARM BUSHING	8	
36	9.040.001	O-RING Φ 21.2x2.65	8	
37	4.000.023	LOWER SUSPENSION ARM ASSY.	2	
38	13-0901-03L	FRONT TIRE & WHEEL, LEFT 19X7-8	1	
39	8.010.140	ACORN NUT M12	2	

FIG.19

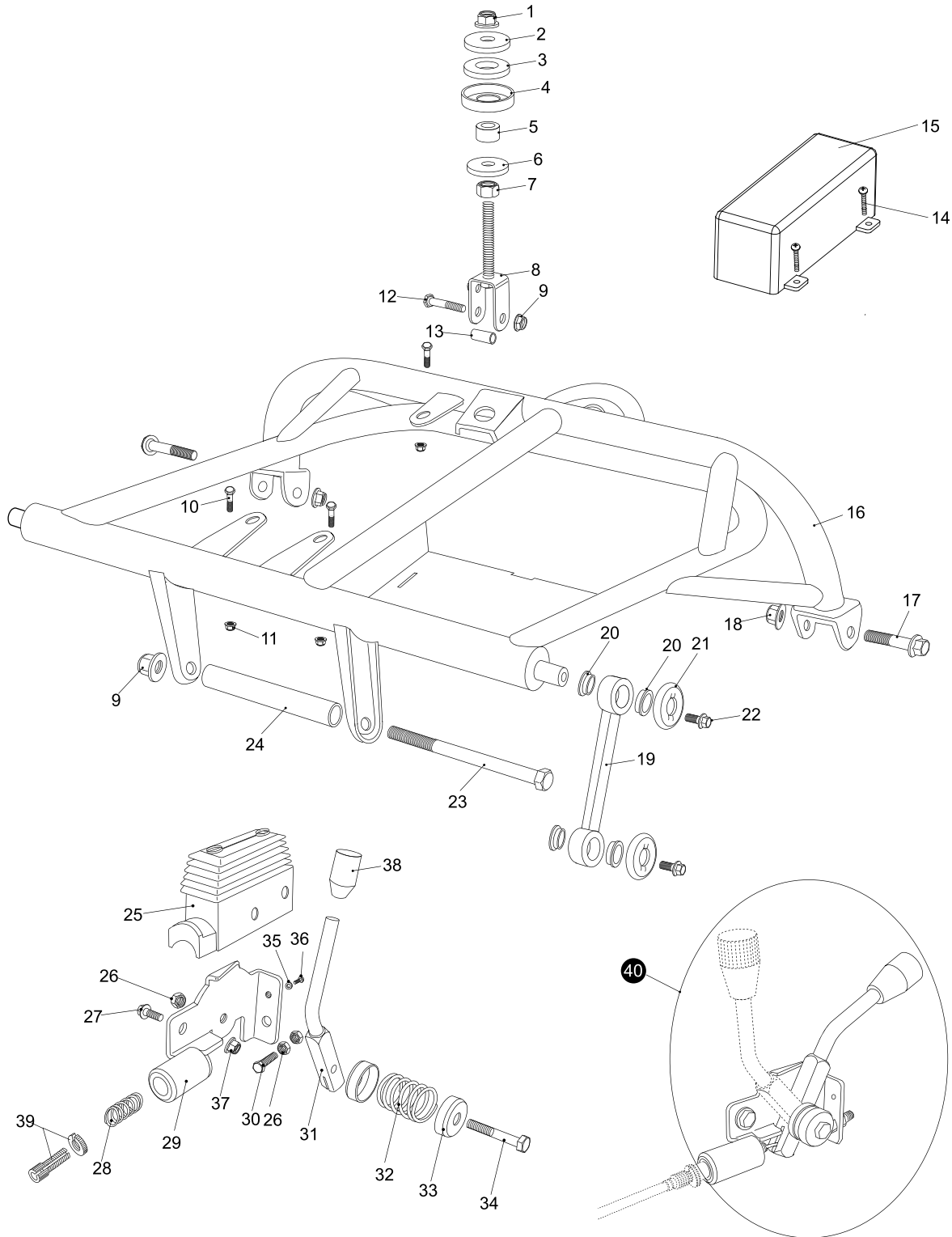
REAR CARGO RACK/SEAT/BELT



REAR CARGO RACK/SEAT/BELT				
REF NO.	PART NO.	DESCRIPTION	REGD NO.	
1	2.000.061	REAR CARGO RACK (B.G.R.)	1	
2	7.010.017	TUBE SEAT Φ 25	2	
3	8.080.051	RACK SUPPORT ARM (B.G.R.)	1	
4	9.108.020	FLANGE BOLT M8X1.25X20	4	
5	9.220.008	LOCKING FLANGE NUT. M8	4	
6	6.000.053	FUEL TANK CAP COMP.	1	
7	4.000.011	FUEL TANK COMP.	1	
8	9.108.025	FLANGE BOLT M8X1.25X25	4	
9	8.010.034	TANK COLLAR.	4	
10	7.020.005	RUBBER MOUNT	4	
11	9.300.008	FLAT WASHER Φ 8	4	
12	9.210.008	NYLON LOCKING FLANGE NUT M8	6	
13	6.000.046	AUTO FUEL COCK ASSY.	1	
14	7.020.021	FUEL TUBE COMP. #1	1	
15	7.020.023	VACUUM TUBE COMP.	1	
16	7.020.022	VACUUM TUBE COMP. #2	1	
17	6.000.056	FILTER	1	
18	6.000.354	SAFETY BELT COMP.	1	
19	9.220.008	NUT M8	2	
20	13-0401-00R	SEAT COMP (PASSENGER)	1	
21	13-0401-00L	SEAT COMP (DRIVER)	1	
22	9.700.001	SPECIAL BOLT, M7/16"x28	1	
23	9.700.002	WASHER BELT Φ 12	9	
24	9.700.003	BELT NUT M7/16"	9	
25	6.000.379	SEAT ROLL SET.	1	
26	9.090.002	TAIL LIGHT BULB. 21W/5W 12V	1	
27	6.000.010	TAIL LIGHT	1	
28	9.210.006	LOCKING NYLON NUT, M6	2	
29	9.900.840	BOLT SHARP M8X1.25X40	4	

FIG.20

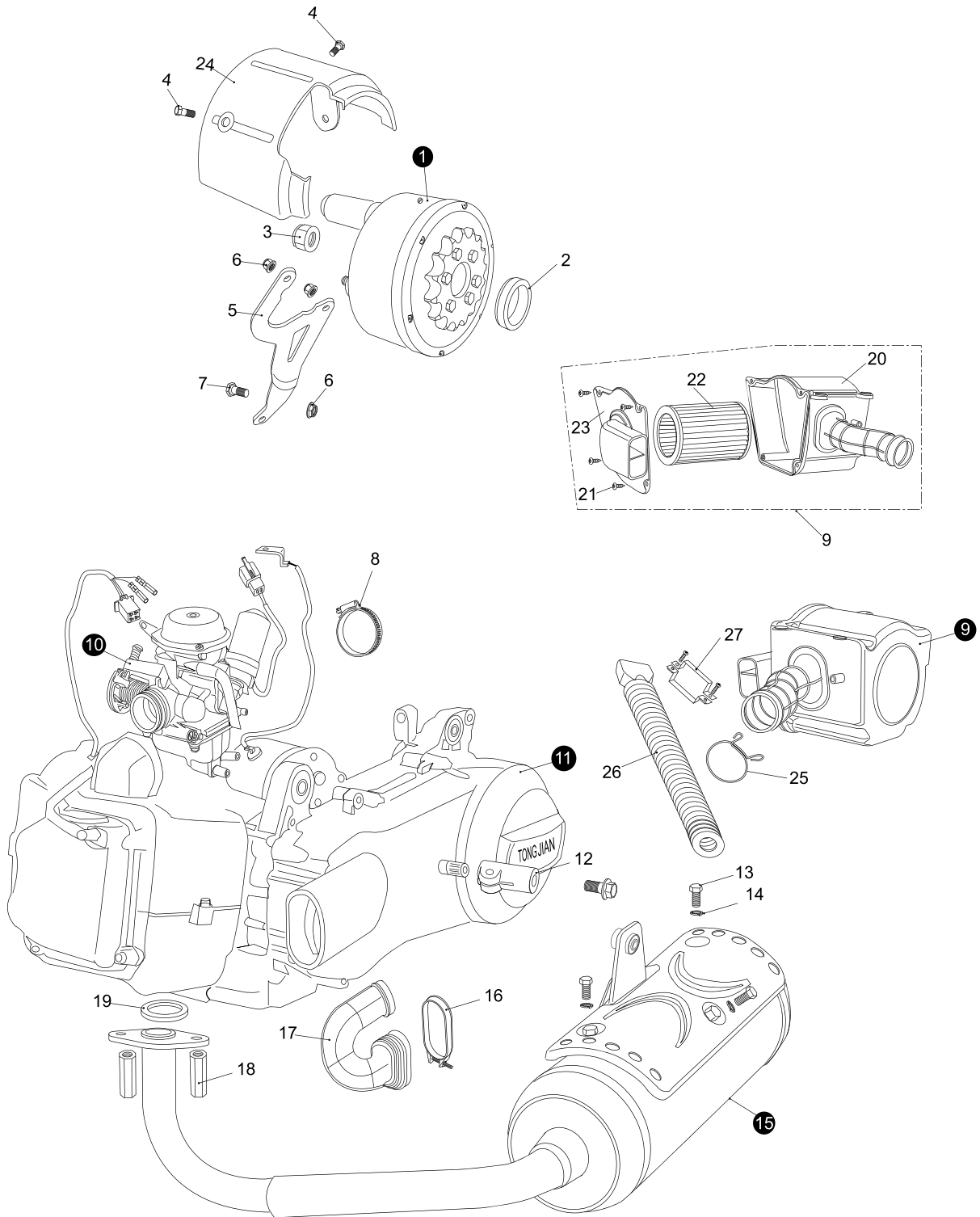
REAR SWING ARM ASSY. UPPER



REAR SWING ARM ASS'Y. UPPER				
REF NO.	PART NO.	DESCRIPTION	REGD NO.	
1	9.220.012	LOCKING FLANGE NUT. M12	1	
2	8.010.042	WASHER. ENGINE MOUNT LINK	1	
3	7.020.001	CUSHION. ENGINE MOUNT LINK	1	
4	8.020.045	SPACER. ENGINE MOUNT LINK	1	
5	8.010.041	COLLAR. ENGINE MOUNT LINK	1	
6	9.300.012	WASHER. FLAT Φ 12	1	
7	9.200.012	NUT M12	1	
8	6.000.026	ENGINE MOUNT BOLT PLATE	1	
9	9.220.010	LOCKING FLANGE NUT. M10	1	
10	9.106.022	BOLT-WASHER M6x22	3	
11	9.210.008	LOCKING NYLON NUT. M6	3	
12	9.110.045	BOLT-WASHER M10x1.25x45	1	
13	8.010.076	COLLAR. ENGINE MOUNT BOLT PLATE	1	
14	9.600.630	SCREW. PAN M6x30	2	
15	7.010.084	COVER. ELECTRIC ASS'Y.	1	
16	2.000.062	REAR SWING ARM ASS'Y. UPPER	1	
17	9.112.060	BOLT-WASHER M12x1.25x60	2	
18	9.220.012	LOCKING FLANGE NUT. M12	2	
19	8.030.001	SWING ARM DOG BONE	2	
20	7.010.008	BUSH. CON' ROD	8	
21	8.020.013	SPACER. CON' ROD	4	
22	9.108.016	BOLT-WASHER M8x1.25x16	4	
23	9.710.195	BOLT-WASHER M10x1.25x195	1	
24	8.010.025	COLLAR. ENGINE MOUNT	1	
25	7.020.024	COVER. REVERSE LEVER	2	
26	9.210.008	LOCKING NYLON NUT. M8	6	
27	9.108.020	BOLT-WASHER M8x1.25x20	2	
28	8.040.004	SPRING. CABLE	2	
29	6.000.064	BRACKET. LEVER	2	
30	9.100.830	BOLT M8x30	1	
31	6.000.065	LEVER. REVERSE, PARKING BRAKE	2	
32	8.040.003	SPRING. LEVER	2	
33	8.020.082	SPACER. LEVER	4	
34	9.108.040	BOLT-WASHER M8x1.25x40	2	
35	9.300.005	WASHER FLAT Φ 5	2	
36	9.600.512	SCREW. PAN M5x12	2	
37	9.220.008	LOCKING FLANGE NUT. M8	4	
38	7.020.026	COVEV. LEVER. GREEN / BLACK	2	
39	6.000.051	ROD ADJUSTING. CABLE	2	
40	6.000.042	PARKING BRAKE/REVERSE LEVER ASS'Y.	2	

FIG.21

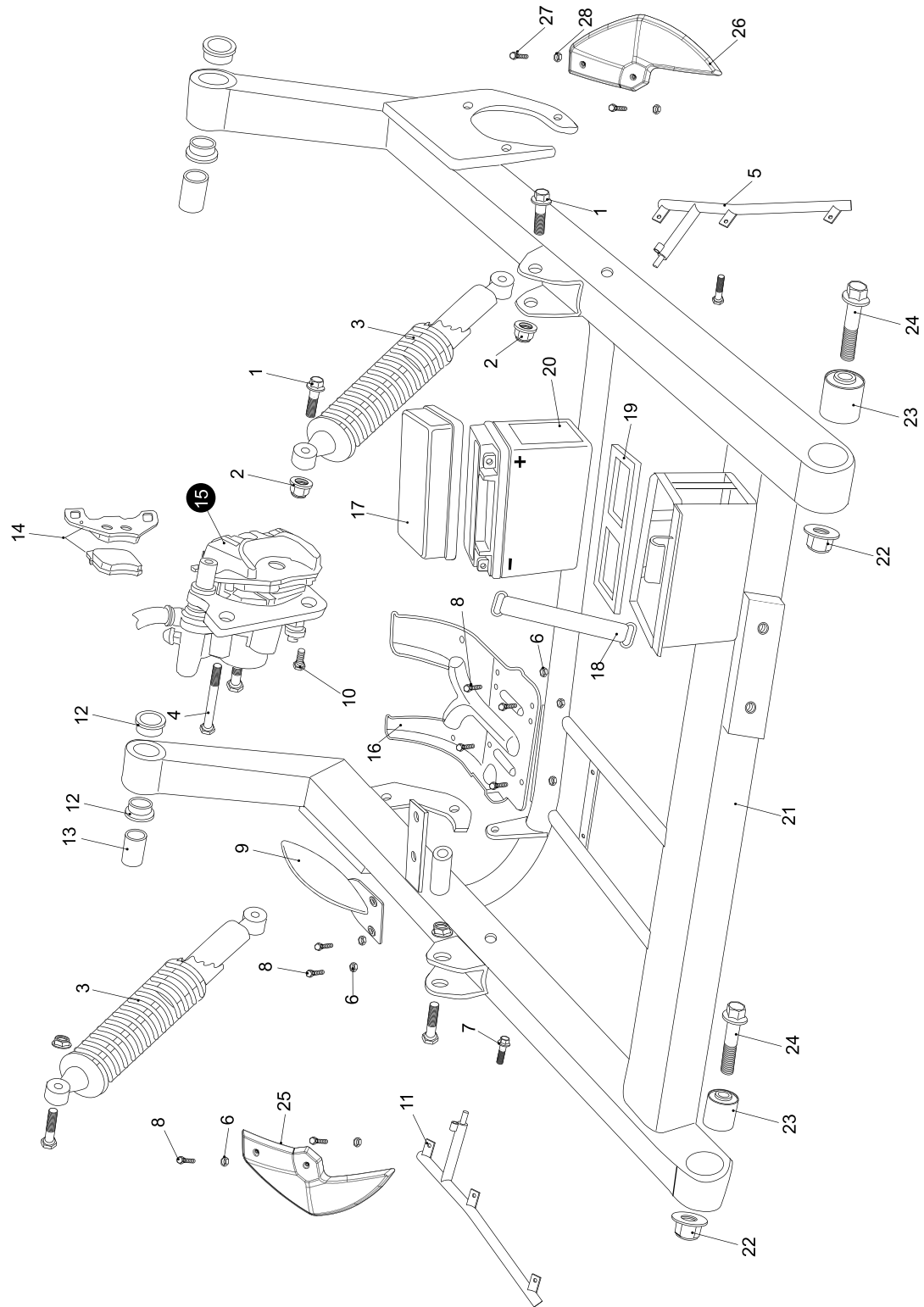
ENGINE/MUFFLER/AIR CLEANER



ENGINE/MUFFLER/AIR CLEANER				
REF NO.	PART NO.	DESCRIPTION	REGD NO.	
1	6.000.157	REVERSE ASSY.	1	
2	8.010.122	INTERNAL COLLAR REVERSE	1	
3	9.220.016	LOCKING FLANGE NUT M16	1	
4	9.106.012	FLANGE BOLT M6X12	2	
5	8.020.173	REVERSE BRACKET	1	
6	9.220.008	LOCKING FLANGE NUT M8	3	
7	9.908.040	BOLT STRAP, M8X1.25X40	1	
8	8.020.056	AIR CLEANER CLAMP	1	
9	4.000.055	AIR CLEANER ASSY.	1	
10	6.000.024	CARBURETOR	1	
11	2.000.009	ENGINE, 150CC	1	
12	8.030.037	MUFFLER RACK SUPPORT	1	
13	9.100.612	BOLT, M5X16	3	
14	9.400.006	LOCKING WASHER ϕ 6	3	
15	6.000.074	MUFFLER COMP. EX	1	
16	8.020.055	BOOT CLAMP	1	
17	6.000.162	SIDE CASE BOOT	1	
18	9.040.027	MUFFLER JOINT NUT, M6	2	
19	9.040.005	EX. PIPE GASKET	1	
20	7.010.088	AIR CLEANER CASE COMP	1	
21	9.805.003	TAPPING SCREW, M5X16	4	
22	6.000.151	AIR CLEANER ELEMENT	1	
23	7.010.087	AIR CLEANER COVER	1	
24	7.010.033	CHAIN PROTECTOR, RR.	1	
25	8.040.013	AIR CLEANER CLIP	1	
26	7.010.057	AIR CLEANER DUCT	1	
27	8.020.176	AIR CLEANER CLAMP	1	
28	9.108.040	FLANGE BOLT, M8X1.25X40	1	

FIG.22

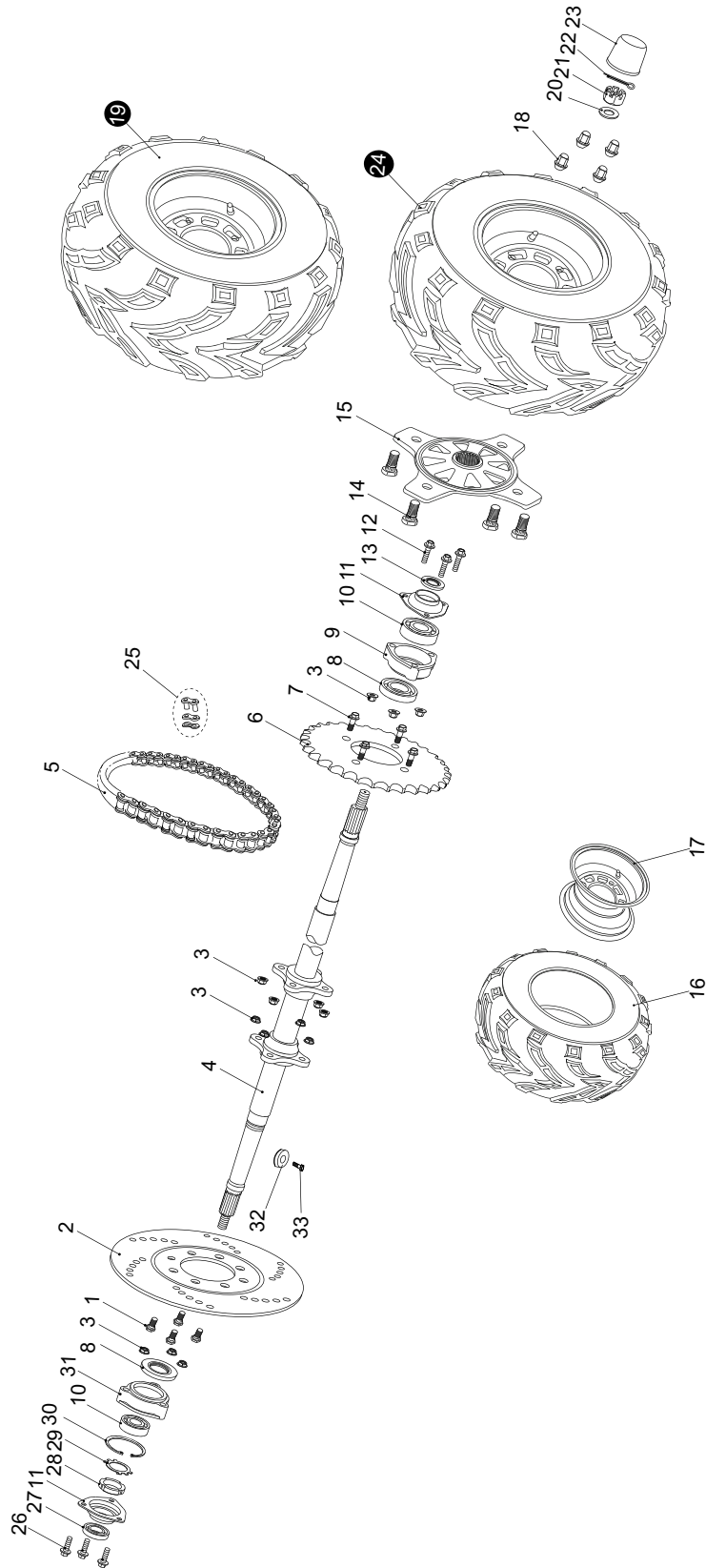
REAR SWING ARM



REAR SWING ARM				
REF NO.	PART NO.	DESCRIPTION	REGD NO.	
1	9.110.040	FLANGE BOLT M10x1.25x40	4	
2	9.220.010	LOCKING FLANGE NUT M10	4	
3	6.000.006	CUSHION ASSY. RR	2	
4	9.908.100	BOLT STRAP M8x1.25x100	1	
5	13-0601-00L	REAR FENDER BRACKET, L	1	
6	9.210.006	LOCKING NYLON NUT M6	12	
7	9.108.045	FLANGE BOLT M8x1.25x45	2	
8	003-060016-01	FLANGE BOLT M6x16	12	
9	7.010.031	DISC. RR COVER	1	
10	9.908.012	BOLT STRAP M8x1.25x12	1	
11	13-0601-00R	REAR FENDER BRACKET, R	1	
12	7.010.006	SWING ARM BUSHING	4	
13	8.010.028	SWING ARM COLLAR	2	
14	7.020.022	RR. BRAKE PAD SET	1	
15	6.000.229	CALIPER ASSY. RR	1	
16	7.010.032	CHAIN DISC GUARD	1	
17	7.010.028	BATTERY COVER	1	
18	7.020.023	BATTERY BAND	1	
19	7.020.020	BATTERY LOWER CUSHION	1	
20	6.000.085	BATTERY (YTX12-BS)	1	
21	2.000.042	RR. LOWER SWING ARM COMP.	1	
22	9.220.012	LOCKING FLANGE NUT M12	2	
23	7.020.008	SWING ARM CUSHION BUSHING	2	
24	9.112.060	FLANGE BOLT M12x1.25x60	2	
25	13-0204-00R	RR. FENDER, RH.	1	
26	13-0204-00L	RR. FENDER, LH.	1	
27	003-060016-00	BOLT, M6X16	4	
28	004-0600-00	NUT, M6	4	

FIG.23

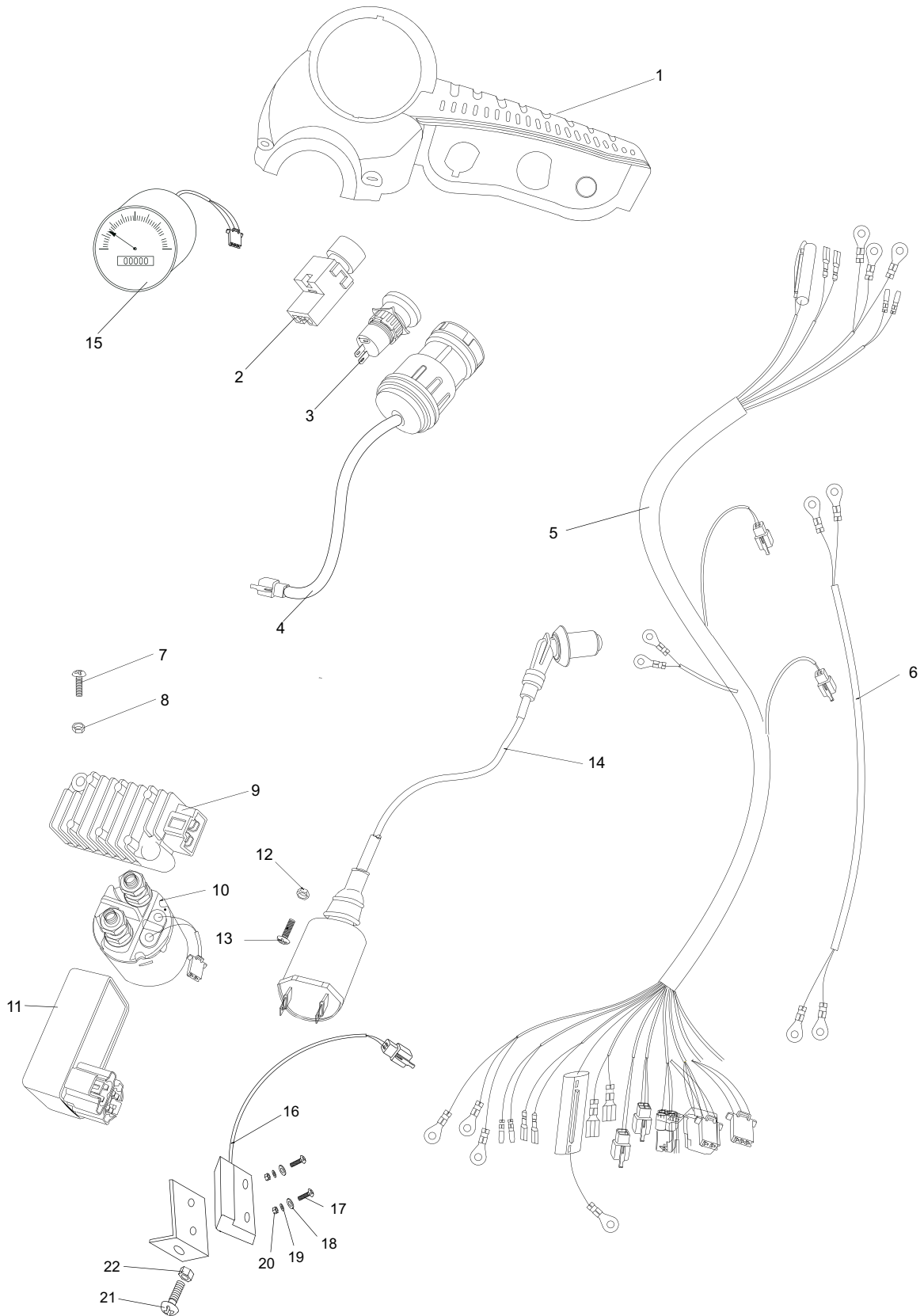
REAR HOUSING



REAR HOUSING				
REF NO.	PART NO.	DESCRIPTION	REGD NO.	
1	9.108.022	BOLT-WASHER M8x1.25x22	4	
2	8.010.053	DISC. RR. BRAKE	1	
3	9.220.008	LOCK FLANGE NUT. M8	14	
4	8.010.057B	REAR AXLE	1	
5	9.070.002	CHAIN O-RING DRIVE.	1	
6	8.010.077	REAR SPROCKET	1	
7	9.108.027	BOLT-WASHER M8x1.25x27	4	
8	9.040.006	DUST SEAL 50X34-7	2	
9	8.030.008	COMP. HOUSING RR. AXLE BRG	2	
10	9.030.006	BEARING 6206	2	
11	8.020.028	BEARING BASE	2	
12	9.108.040	BOLT-WASHER M8x1.25x40	6	
13	9.040.007	DUST SEAL 42X30-7	2	
14	9.710.031	BOLT. TIRE M10x1.25x31	8	
15	8.010.089B	HUB. REAR AXLE	2	
16	7.020.035	TIRE. RR 21x10-10	2	
17	002-100100-03	RIM. RR 10" BLACK	2	
18	8.010.118	LUG NUT. CAP M10	8	
19	13-0902-03R	REAR. WHEEL ASSY. R	1	
20	9.700.016	SPACER. RR. WHEEL 16	2	
21	9.800.016	CASTLE NUT. M16	2	
22	9.500.430	COTTER PIN. 4X30	2	
23	7.020.039	COVER. RR. HUB	2	
24	13-0902-03L	REAR TIRE & WHEEL	1	
25	6.000.149	MASTER LINK. CHAIN	1	
26	9.108.045	FLANGE BOLT M8X1.25X45	3	
27	9.040.008	DUST SEAL 42X28-7	1	
28	9.900.030	ROUND NUT M30X1.5	1	
29	8.020.181	KEEPER	1	
30	9.700.300	CIRCLIP Φ 62	1	
31	8.030.033	AXLE BRG HOUSING COMP.RR	1	
32	12.025.024	MAGNETIC CONTACT	1	
33	12.025.025	EYE BOLT, M3X6	1	

FIG.24

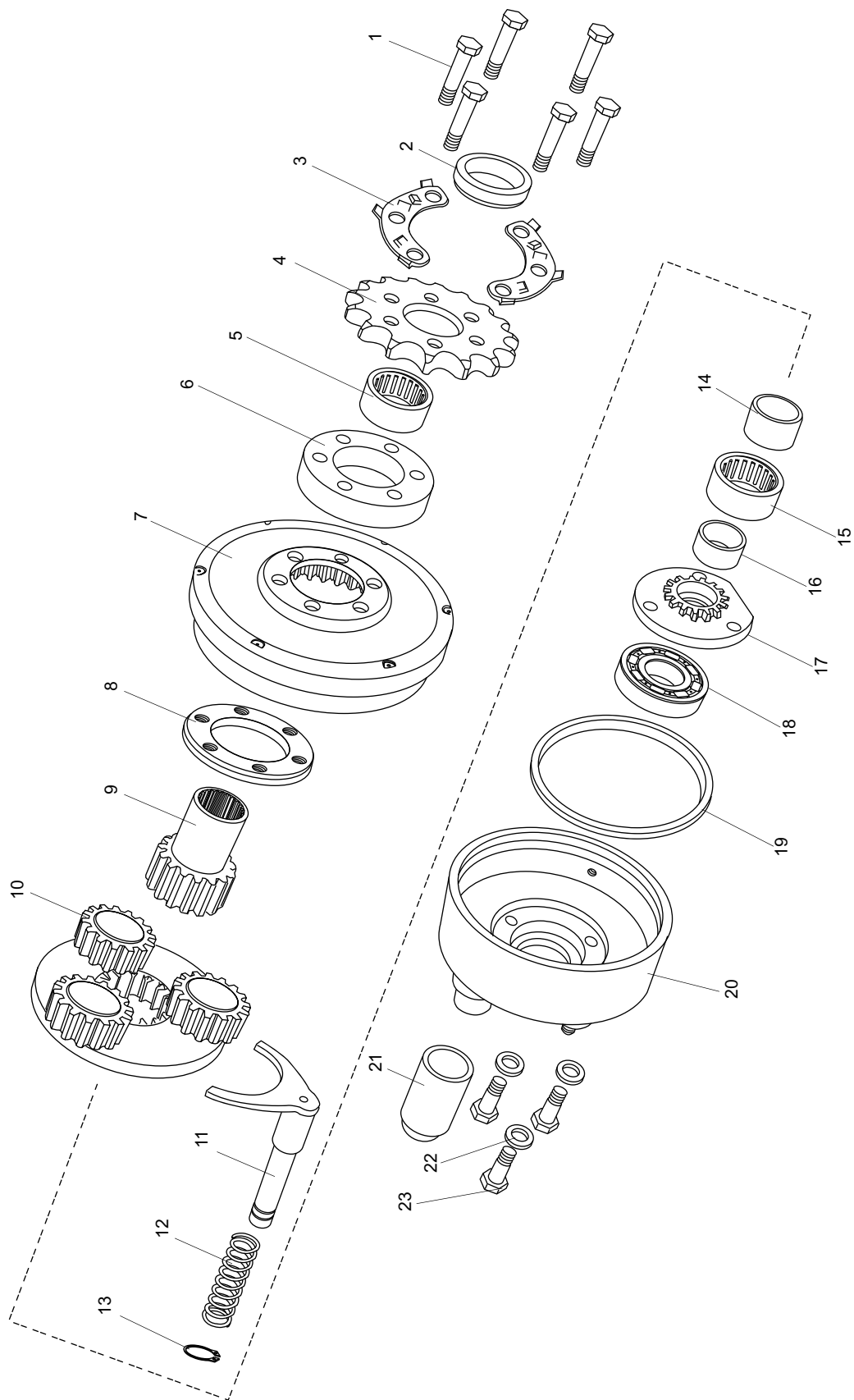
WIRE HARNESS/ELECTRICAL



WIRE HARNESS/ELECTRICAL				
REF NO.	PART NO.	DESCRIPTION	REGD NO.	
1	13-0205-03	SWITCH PANEL COVER	1	
2	13-0302-00	IGNITION START SWITCH (PUSH BUTTON)	1	
3	6.000.159	ENGINE STOP BUTTON	1	
4	13-0301-00	KEY & HEADLIGHT SWITCH	1	
5	6.000.380-GTS	WIRE HARNESS.	1	
6	6.000.204	SOCKET COMP	1	
7	9.100.620	BOLT M6x20	2	
8	9.210.006	NYLON LOCKING NUT M6	2	
9	6.000.124-GTS	REGULATE RECTIFIER COMP.	1	
10	6.000.035	STARTING RELAY	1	
11	6.000.267	C.D.I. UNIT COMP.	1	
12	9.210.005	NYLON LOCKING NUT M5	1	
13	9.600.525	ROUND HEAD BOLT M5x25	1	
14	6.000.025	IGNITION COIL COMP.	1	
15	12.026.017-GTS	SPEEDOMETER	1	
16	12.026.023	SPEEDOMETER SENSOR	1	
17	12.026.024	SCREW, M3X10 (GB818)	1	
18	12.026.025	SPRING WASHER, 3 (GB93)	1	
19	12.026.026	FLAT WASHER,3 (GB97.1)	1	
20	12.026.027	NUT, M3 (GB6170)	1	
21	9.100.005	BOLT, M6X20 (GB5787)	1	
22	9.200.006	NUT, M6 (GB6187)	1	

FIG.25

REVERSE ASSY.



REVERSE ASSY.				
REF NO.	PART NO.	DESCRIPTION	REGD NO.	
1	9.100.616	BOLT M6x25	6	
2	8.010.122	INTERNAL COLLAR	1	
3	8.020.167	KEEPER	6	
4	8.010.123	DRIVE SPROCKET	1	
5	9.030.007	NEEDLE BEARING 26x35x20	1	
6	8.010.119	BEARING FLANGE PLATE	1	
7	8.010.169	GEAR CASE. L	1	
8	8.010.170	GEAR CASE FLANGE PLATE	1	
9	8.010.124	DRIVE GEAR	1	
10	6.000.222	COUNTER GEAR SHAFT COMP	1	
11	8.010.125-GTS	GEAR SHIFT YOKE	1	
12	8.040.012	GEAR SHIFTING YOKE SPRING	1	
13	9.700.112	CIRCLIP Φ 12	1	
14	8.010.121	DRIVE GEAR BUSHING	1	
15	9.030.008	NEEDLE BEARING 22x30x14	1	
16	8.010.126	BUSHING. DRIVE GEAR	1	
17	8.030.029	GEAR SEAT	1	
18	9.030.003	BEARING 6203	1	
19	7.020.055	RUBBER OIL SEAL	1	
20	8.030.028	GEAR CASE. R	1	
21	8.010.127	SHIFTING YOKE COVER	1	
22	9.030.008	WASHER Φ 8	3	
23	9.100.821	SCREW PAN M8x21	3	