

2013

# Parts Manual



READ THIS MANUAL CAREFULLY,  
IT CONTAINS IMPORTANT SAFETY INFORMATION.

*GTS150*

*Dune Buggy*

MINIMUM  
RECOMMENDED  
OPERATOR AGE: **16**



## **FOR OFF-ROAD USE ONLY**

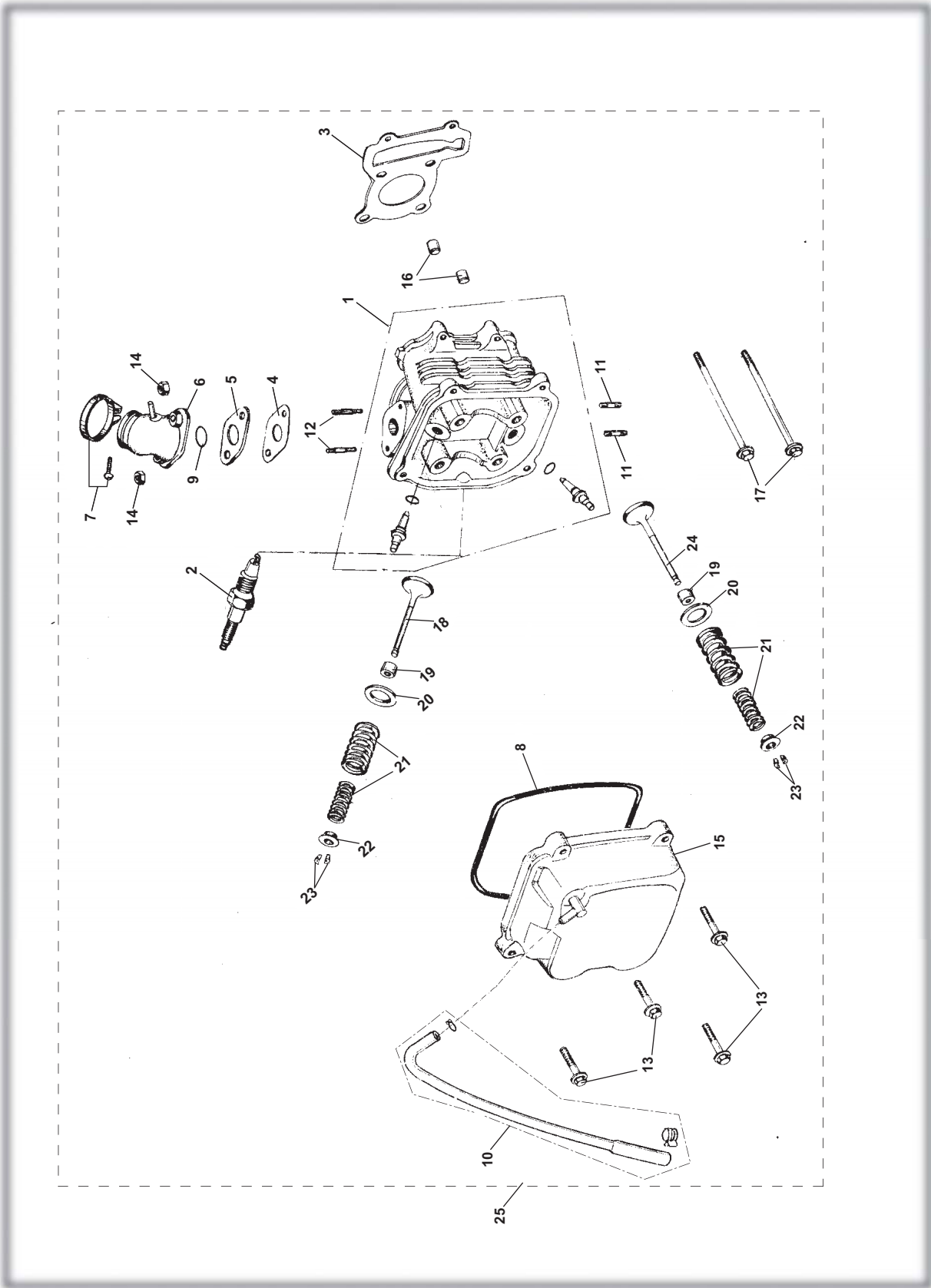
This vehicle is designed and manufactured for off-road use only.

USA only:

It does not conform to Federal Motor Vehicle Safety Standards, and in regards to operation on public streets, roads, or highways is illegal.

# FIG.1

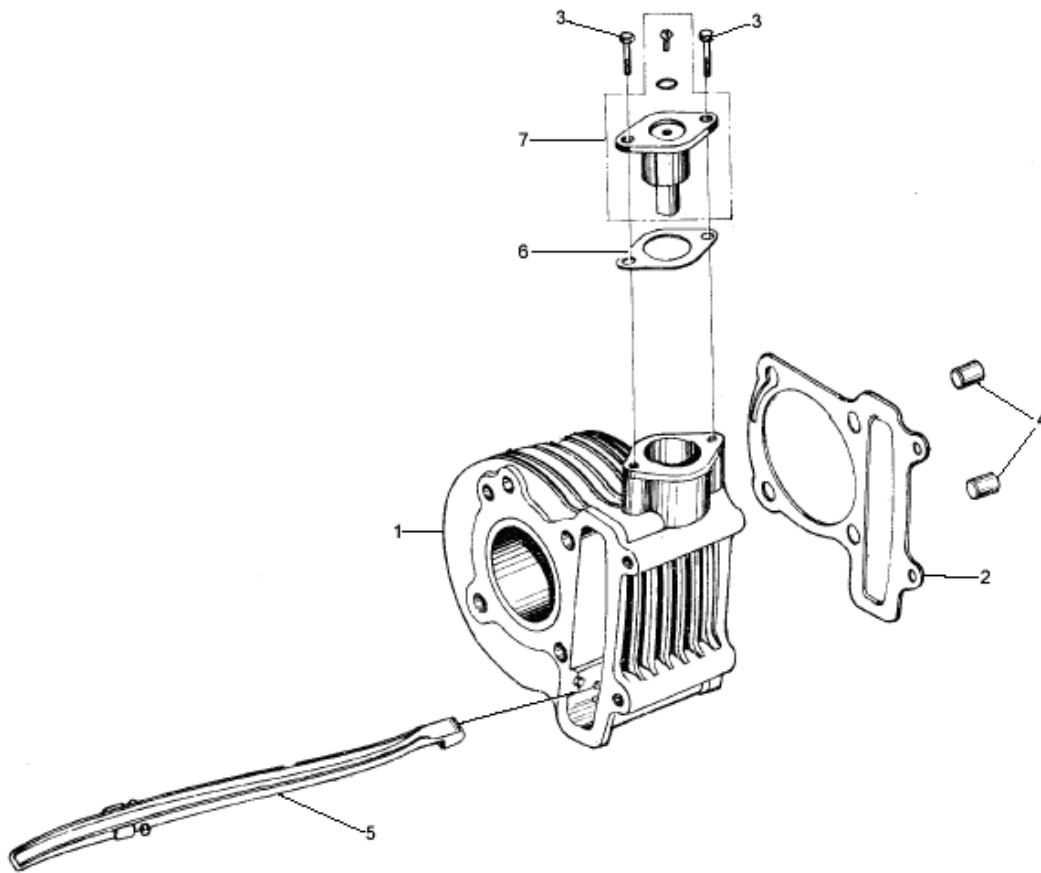
## CYLINDER HEAD ASSY.



<b>CYLINDER HEAD ASSY.</b>				
<b>REF NO.</b>	<b>PART NO.</b>	<b>DESCRIPTION</b>	<b>REGD NO.</b>	
1	M150-100-1320	CYLINDER HEAD SUBASSY	1	
2	98056-57713-00	SPARK PLUG (C7HSA NGK)	1	
3	M150-1001010	CYLINDER HEAD GASKET	1	
4	M150-1001004	CARBURETOR INSULATOR GASKET	1	
5	M150-1001005	CARBURETOR INSULATOR	1	
6	M150-1001210	PIPE COMP. IN	1	
7	M150-1001220	INSULATOR BAND	1	
8	M150-1001103	HEAD COVER GASKET	1	
9	M150-1001201	O-RING 27X2	1	
10	M150-1001001	BREATHER TUBE	1	
11	M150-1001011	STUD BOLT M6X18	2	
12	M150-1001006	STUD BOLT M6X50	2	
13	M150-B-1003075	FLANGE BOLT M6X25	4	
14	95500-06001-KAS	NUT FLANGE M6-ZN. D	2	
15	M150-1001100	CYLINDER HEAD COVER COMP.	1	
16	M150-1001007	DOWEL PIN 10X16	2	
17	M150-1003007	CYLINDER HEAD BOLT FLANGE M6X100	2	
18	M150-1001301	IN VALVE	1	
19	M150-1001310	VALVE STEM SEAL	2	
20	M150-1001302	VALVE SPRING OUTER SEAT	2	
21	M150-1001303	VALVE OUTER, INNER SPRING	2	
22	M150-1001305	VALVE SPRING RETAINER	2	
23	M150-1001306	VALVE COTTER	4	
24	M150-1001307	EX. VALVE	1	
25	M150-100-1320-C	CYLINDER HEAD ASSY	1	

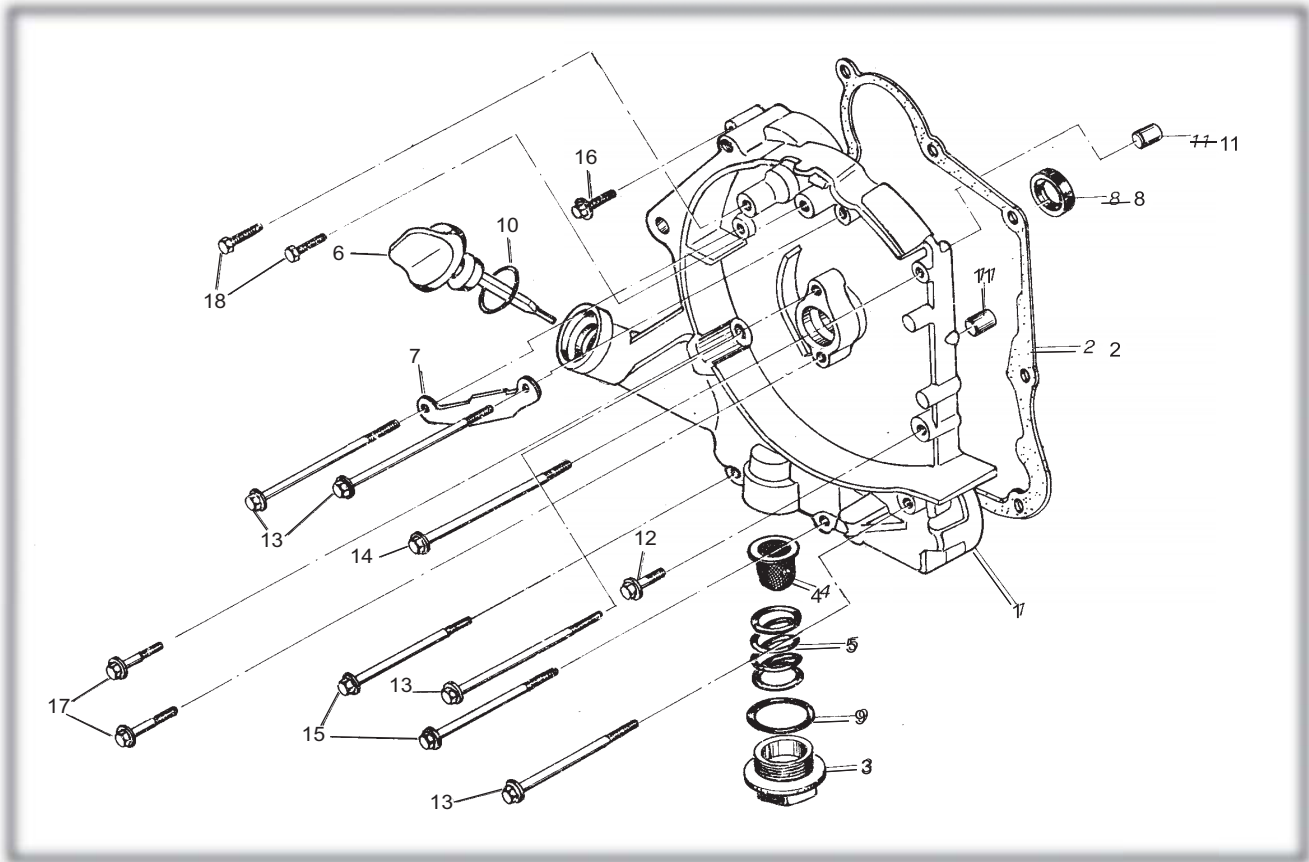
# FIG.2

## CYLINDER



Ref No	Part No	Description	QTY
1	M150-1002200	Head, Cylinder - 150cc	1
2	M150-1002001	Gasket, Cyl Head Low er - 150cc	1
3	96001-06020-KAT	Bolt, M6 x 1.00 x 22 FHCS	2
4	M150-1001007	Pin, M10 x 16 Dow el	2
5	M150-1002100	Tensioner, Cam Chain - 150cc	1
6	M150-1002002	Gasket, Cam Chain Tensioner - 150cc	1
7	M150-1002100	Asm, Cam Chain Tensioner - 150cc	1

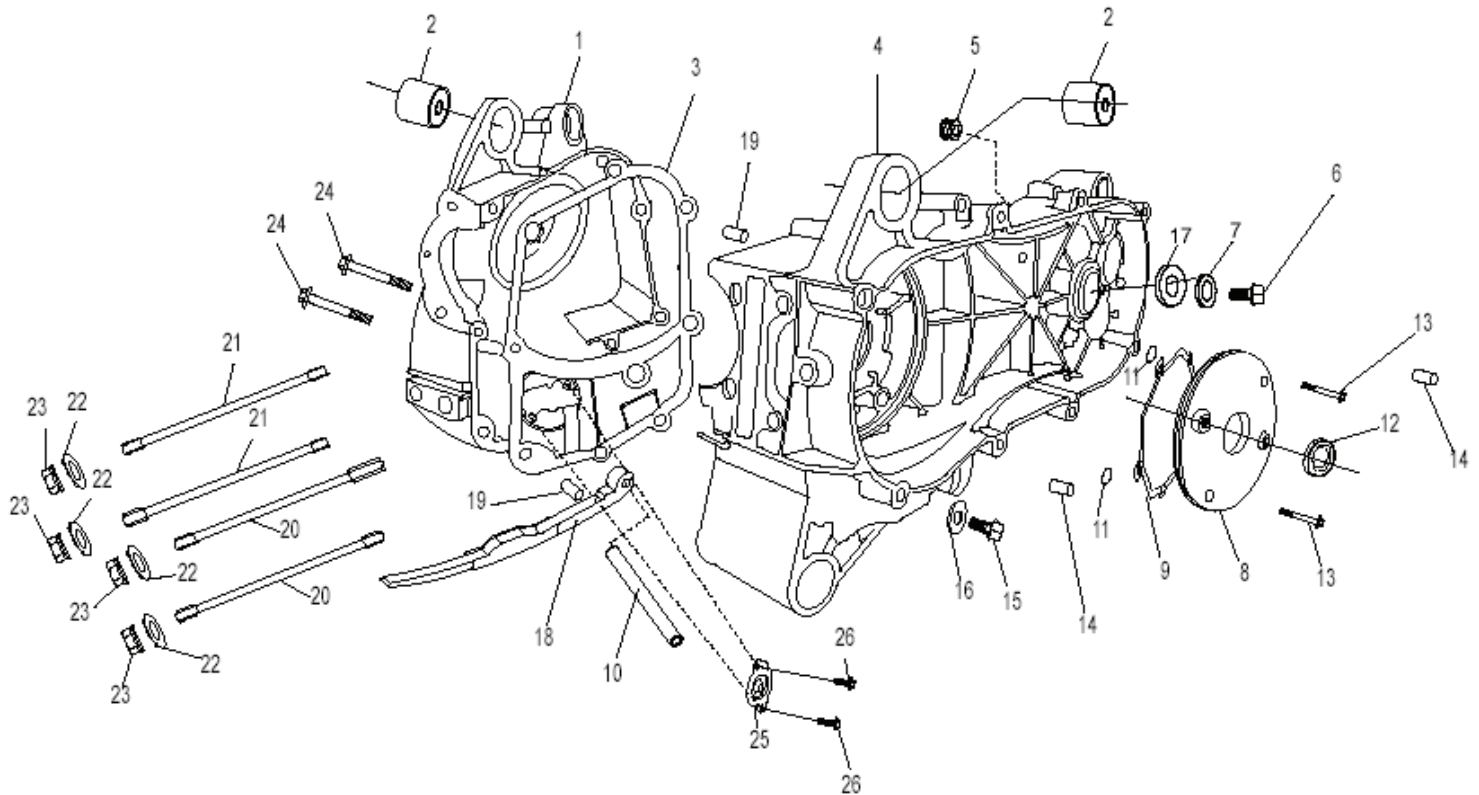
**CRANKCASE ASSY. (1)**



<b>CRANKCASE ASSY.(1)</b>				
<b>REF NO.</b>	<b>PART NO.</b>	<b>DESCRIPTION</b>	<b>REGD NO.</b>	
1	M150-1003101-B	R CRANKCASE COVER COMP.	1	
2	M150-1003013	CRANKCASE COVER GASKET	1	
3	M150-1003104	CAP TAPPET ADJUSTING HOLE	1	
4	M150-1003120	OIL FILTING SCREEN	1	
5	M150-1003102	OIL FILTING SCREEN SPRING	1	
6	M150-1003105	OIL LEVEL GAUGE	1	
7	M150-1003006	AC GENERATOR CORD CLAMPER	1	
8	M150-1003110	OIL SEAL 19.8X30X5	1	
9	M150-1003103	O-RING 30.8X3	1	
10	M150-1003307	O-RING 18X3	1	
11	M150-1003005	DOWEL PIN 8X14	2	
12	96001-06032-KAT	FLANGE BOLT M6X28	1	
13	M150-1003012	FLANGE BOLT M6X95	4	
14	M150-1003007	FLANGE BOLT M6X100	1	
15	M150-1003008	FLANGE BOLT M6X110	2	
16	M150-1003034	FLANGE BOLT M6X35	1	
17	M150-1003106	FLANGE BOLT M6X20	2	
18	92101-05012-OH	HEX BOLT M5X12-ZN.D	2	

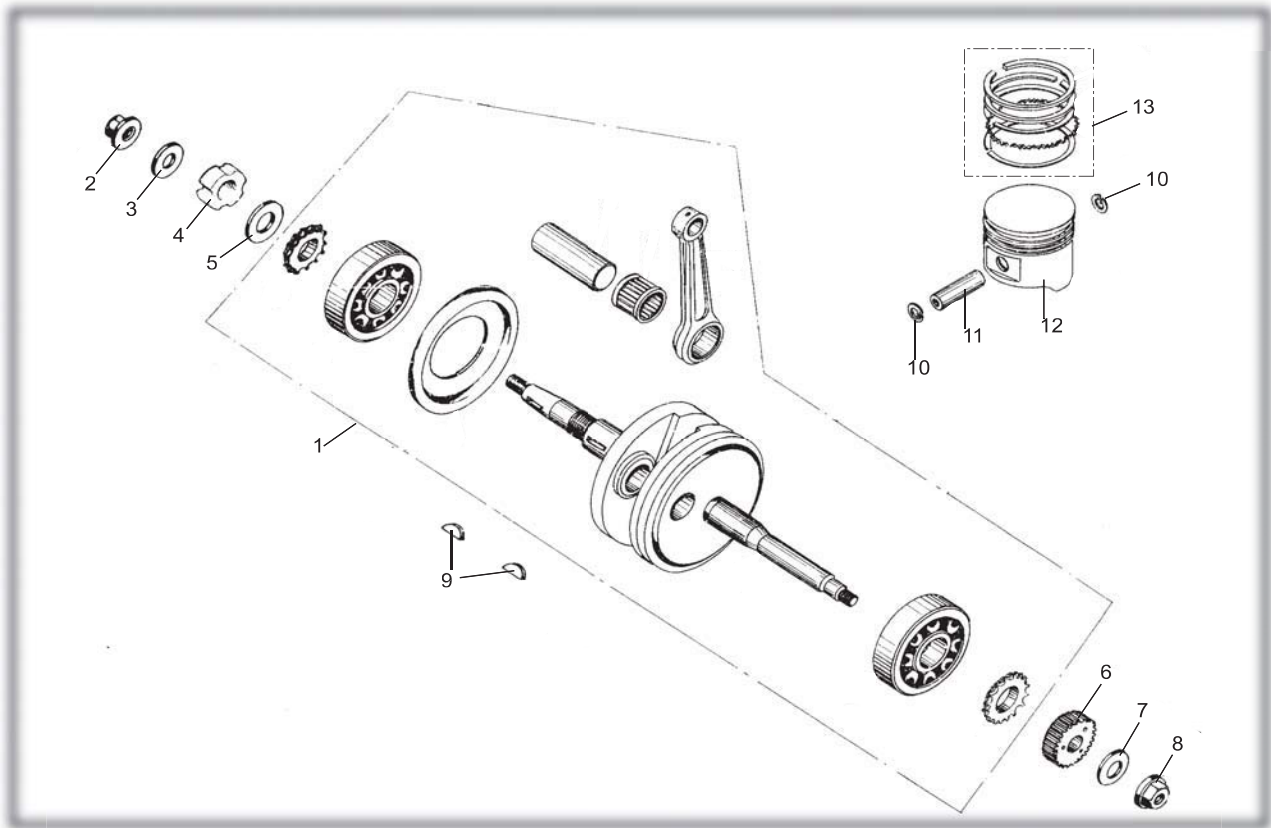
# FIG.4

## ENGINE CRANKCASE



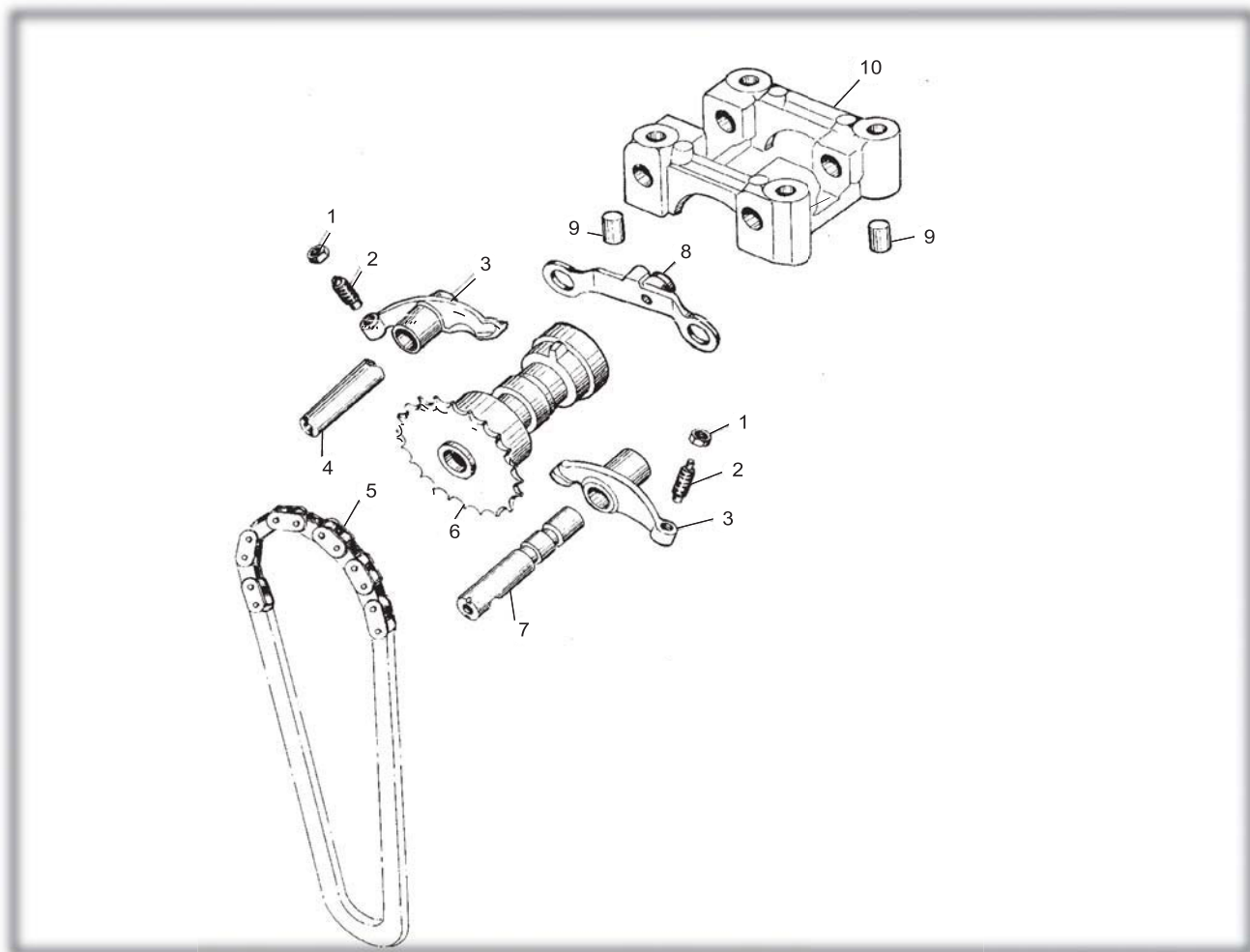
Ref No	Part No	Description	QTY	Ref No	Part No	Description	QTY
1	14277	Housing, Crankcase RH - 150cc	1	14	14287	Pin, M10 x 14 Dow el	2
2	14278	Bushing, Engine Hanger - 150cc	2	15	M150-1003018	Bolt, M12 x 1.5 Special	1
3	14279	Gasket, Crankcase - 150cc	1	16	M150-1003019	Washer, M12 Flat	2
4	14280	Housing, Crankcase LH - 150cc	1	17	14290	Seal, M20 x 32 x 6	2
5	14558	Grommet	1	18	M150-1003500	Tensioner, Cam Chain - 150cc	1
6	14281	Bolt, M10 x 1.25 x 15 FHCS	1	19	M150-1003005	Pin, M8 x 14 Dow el	2
7	14282	Washer, M10.2 x 18 x 1.3 Flat	1	20	M150-1003002	Stud, M8 x 1.25 x 195.5	2
8	14283	Cover, Small Left	1	21	M150-1003001	Stud, M8 x 1.25 x 187.5	2
9	14284	O-Ring, M108 x 2	1	22	M150-1003004	Washer, M8 Flat	4
10	14559	Pin	1	23	M150-1003003	Nut, M8 x 1.25 Flange Head	4
11	14285	O-Ring, M6 x 1.8	2	24	M150-1003032	Bolt, M6 x 1.00 x 50 FHCS	2
12	M150-1003110	Seal, M19.8 x 30 x 5	1	25	M150-1003202	Spacer, Oil - 150cc	1
13	14286	Bolt, M6 x 1.00 x 18 FHCS	4	26	M150-1003203	Bolt, M6 x 1.00 x 12 FHCS	2

## CRANKSHAFT CON'ROD & PISTON ASSY.



<b>CRANKSHAFT CON'ROD &amp; PISTON ASSY.</b>				
<b>REF NO.</b>	<b>PART NO.</b>	<b>DESCRIPTION</b>	<b>REGD NO.</b>	
1	M150-1004100	CRANKSHAFT & CONROD ASSY.	1	
2	M150-1004007	NUT M12X1.25	1	
3	M150-1004011	WASHER 12-149HV 12-140HV	1	
4	M150-1004009	LOCKING NUT	1	
5	M150-1004013	WASHER	1	
6	M150-1004012	KICK DRIVE GEAR	1	
7	M150-1040005	WASHER $\Phi 12$	1	
8	M150-1004008	NUT M12	1	
9	M150-1004002	WOODRUFF KEY	2	
10	M150-1004003	PISTON PIN CLIP	2	
11	M150-1004006	PISTON PIN	1	
12	M150-1004001	PISTON	1	
13	M150-1004200	PISTON RING SET	1	

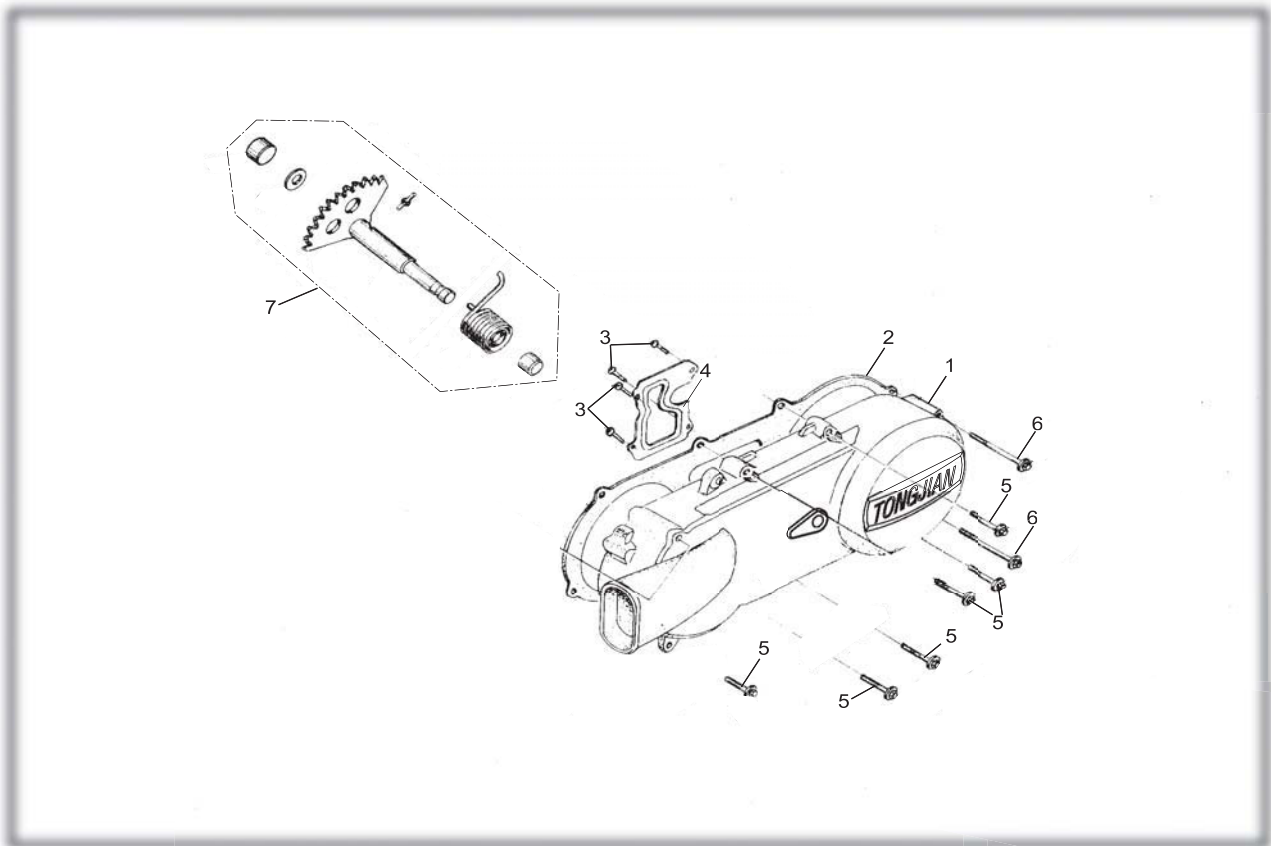
**CAMSHAFT ASSY.**



<b>CAMSHAFT ASSY.</b>				
<b>REF NO.</b>	<b>PART NO.</b>	<b>DESCRIPTION</b>	<b>REGD NO.</b>	
1	M150-1005004	TAPPET ADJUSTING NUT	2	
2	M150-1005003	TAPPET ADJUSTING SCREW	2	
3	M150-1005002	VALVE ROCKER ARM	2	
4	M150-1005005	EX ROCKER ARM SHAFT	1	
5	M150-1005400	CAMSHAFT CHAIN	1	
6	M150-1005300	CAMSHAFT COMP. 16T	1	
7	M150-1005200	IN ROCK ARM SHAFT COMP.	1	
8	M150-1005100	STOPPER PLATE COMP.	1	
9	M150-1001007	DOWEL PIN 10X16	2	
10	M150-1005001	CAMSHAFT HOLDER	1	

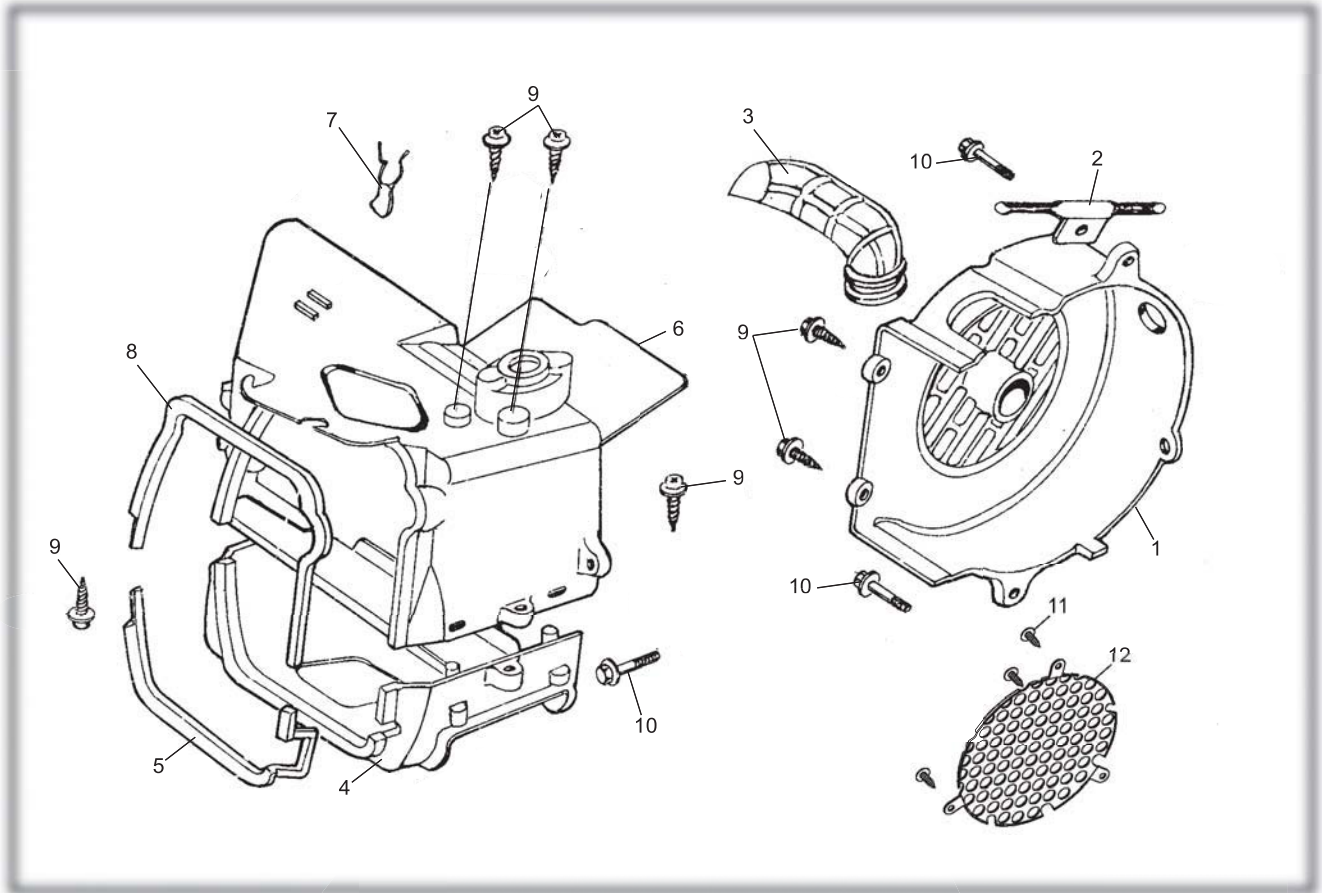


## LEFT COVER ASSY.



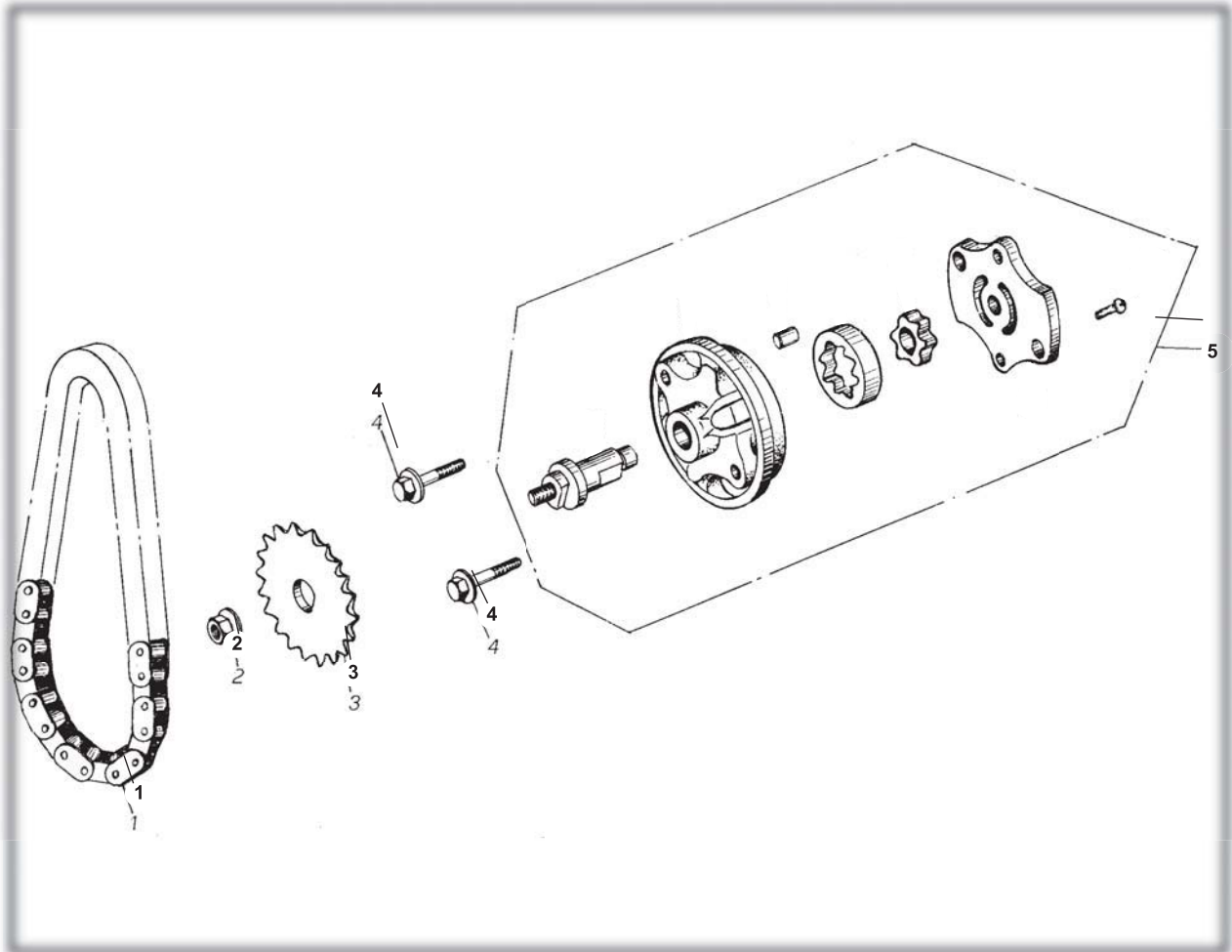
LEFT COVER ASSY.				
REF NO.	PART NO.	DESCRIPTION	REGD NO.	
1	M150-1008101	COVER L	1	
2	M150-1008005	L COVER GASKET	1	
3	93903-00428-KAT	TAPPING SCREW ST4.2X8-F-H	4	
4	M150-1008102	L COVER PLATE	1	
5	M150-1003034	FLANGE BOLT M6X40	6	
6	M150-1008006	FLANGE BOLT M6X65	2	
7	M150-1008200	KICK STARTER ASSY. SPINDLE COMP.	1	

**FAN COVER AND SHROUD ASSY.**



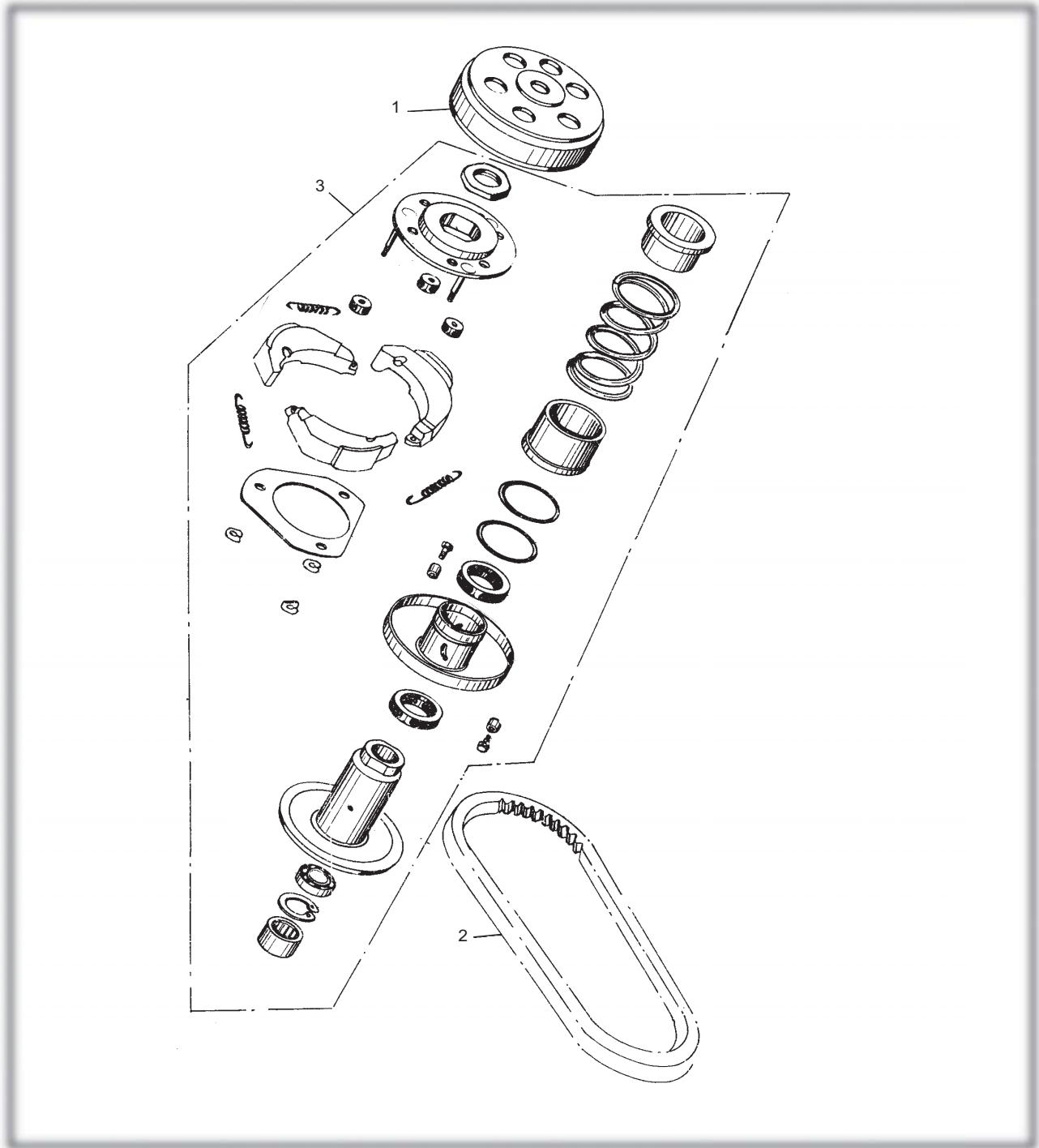
<b>FAN COVER AND SHROUD ASSY.</b>				
<b>REF NO.</b>	<b>PART NO.</b>	<b>DESCRIPTION</b>	<b>REGD NO.</b>	
1	M150-1009410	FAN COVER COMP.	1	
2	M150-1009002	STARTER CABLE CLAMPER	1	
3	M150-1009401	CARBURETOR COOLING DUCT	1	
4	M150-1009301	LOWER SHROUD	1	
5	M150-1009302	LOWER SHROUD SEAL	1	
6	M150-1009110	UPPER SHROUD COMP.	1	
7	M150-1009103	HIGH TENSION CORD CLIP	1	
8	M150-1009102	UPPER SHROUD SEAL	1	
9	M150-1009402	SCREW ST4.8X16-F	6	
10	M150-1003075	BOLT M6X25	3	
11	ST3.5X13 GB845	SCREW ST3.5×13-F	3	
12	8.020.179	DUST COVER	1	

## OIL PUMP ASSY.



OIL PUMP ASSY.				
REF NO.	PART NO.	DESCRIPTION	REGD NO.	
1	M150-1021000	CHAIN OIL PUMP	1	
2	M150-1020002	NUT FLANGE M6	1	
3	M150-1020001	SPROCKET OIL PUMP DRIVEN	1	
4	M150-B-1003075	BOLT M6X25	2	
5	M150-1022000	OIL PUMP SUB ASSY.	1	

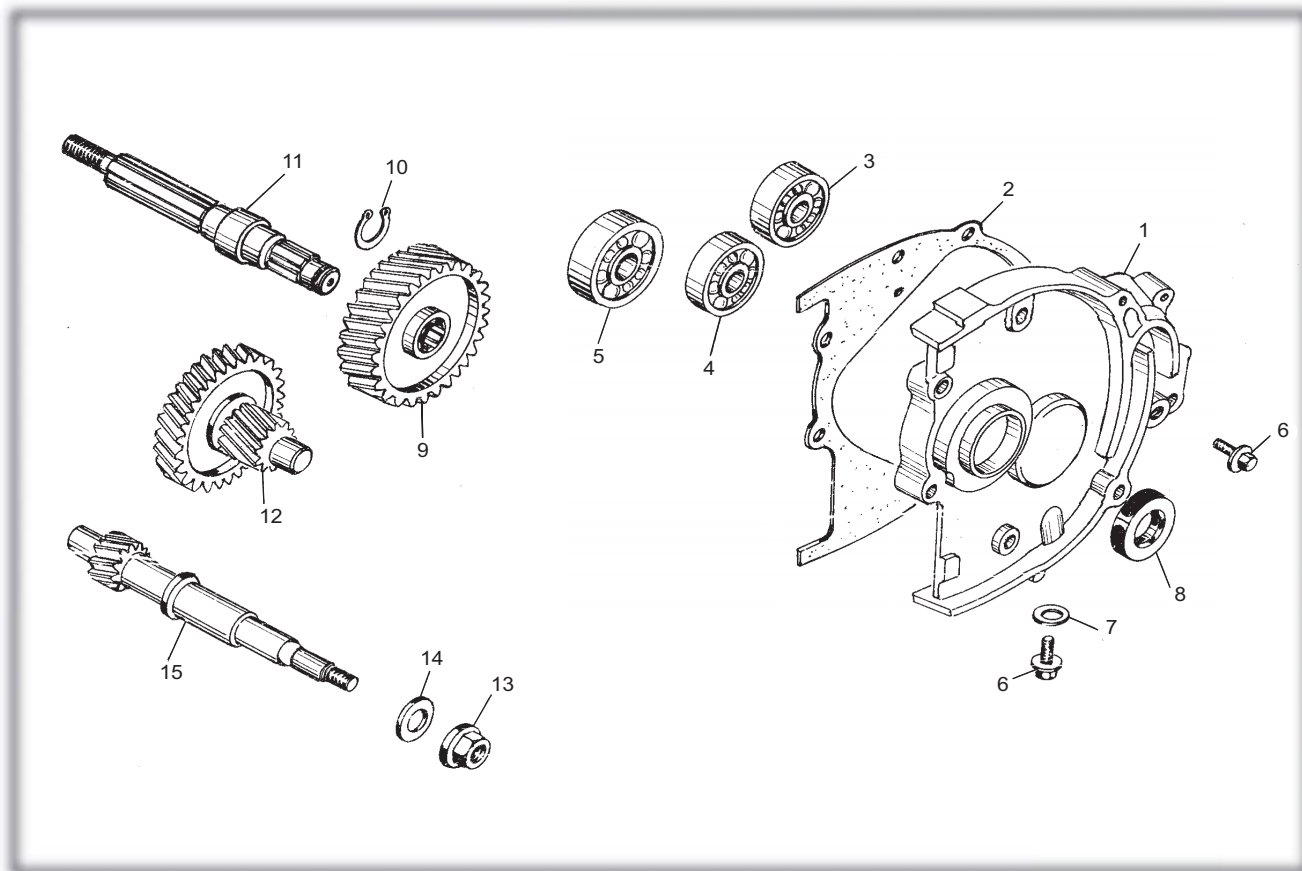
**DRIVEN PULLEY AND CLUTCH SUBASSY.**



**DRIVEN PULLEY AND CLUTCH SUBASSY.**

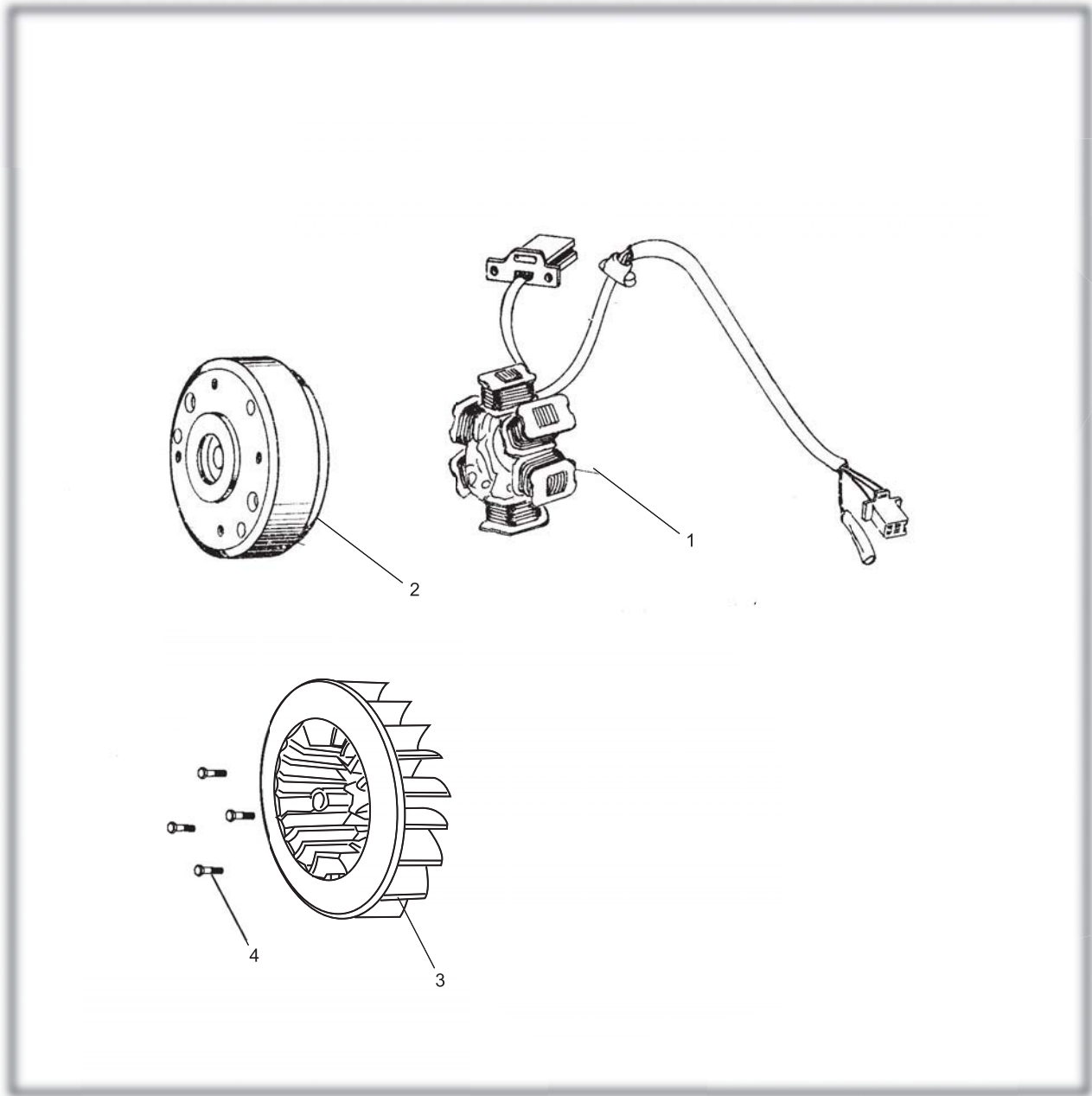
REF NO.	PART NO.	DESCRIPTION	REGD NO.	
1	M150-1032000	CLUTCH ASSY. OUTER	1	
2	M150-1033000	DRIVE BELT	1	
3	M150-1031000	DRIVEN PULLEY ASSY.	1	

## TRANSMISSION ASSY.



TRANSMISSION ASSY.				
REF NO.	PART NO.	DESCRIPTION	REGD NO.	
1	M150-1040001	TRANSMISSION COVER	1	
2	M150-1041000	TRANSMISSION COVER GASKET	1	
3	91004-E6203-KAT	RADIAL BALL BEARING E6203	1	
4	91004-E6202-KAT	RADIAL BALL BEARING E6202	1	
5	91004-E6204-KAT	RADIAL BALL BEARING E6204	1	
6	M150-1040008	SPECIAL BOLT M8X12	2	
7	M150-1040002	WASHER Φ8	1	
8	M150-1042000	OIL SEAL 20X32X6	1	
9	M150-1040004	FINAL GEAR	1	
10	94510-20000	EXTERNAL CIRCLIP 20	1	
11	M150-1040003	FINAL SHAFT	1	
12	M150-1043000	COUNTER SHAFT COMP.	1	
13	M150-1040007	COMPRESSOR FLANGE NUT M12	1	
14	M150-1040005	WASHER Φ12	1	
15	M150-1040006	DRIVE SHAFT	1	

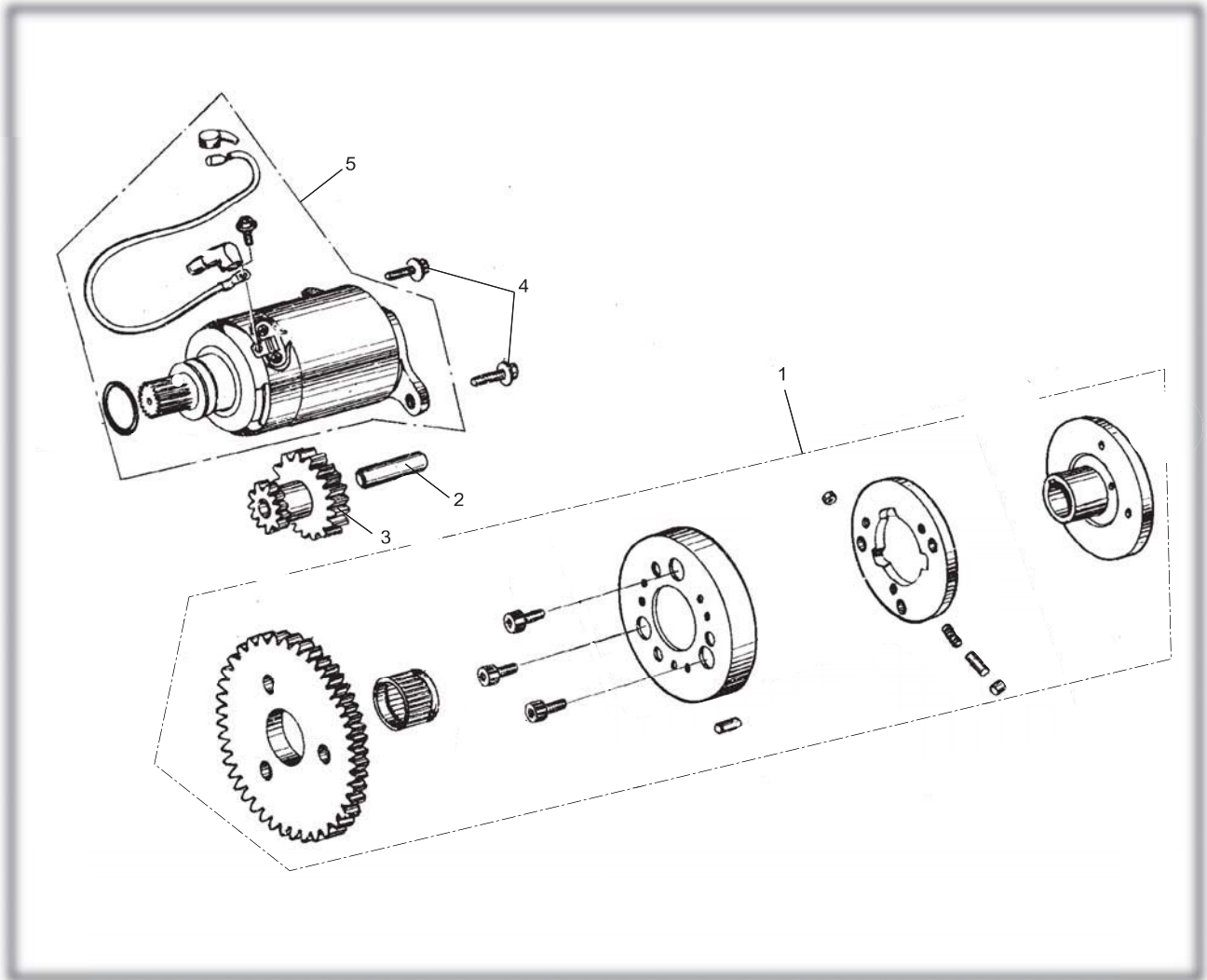
**ELECTRIC SYSTEM**



**ELECTRIC SYSTEM**

REF NO.	PART NO.	DESCRIPTION	REGD NO.	
1	M150-1051200-8	STATOR COMP.	1	
2	M150-1051100	FLYWHEEL COMP.	1	
3	M150-1051100-3	COOLING FAN COMP.	1	
4	M150-1051100-4	FLANGE BOLT M6x18	4	

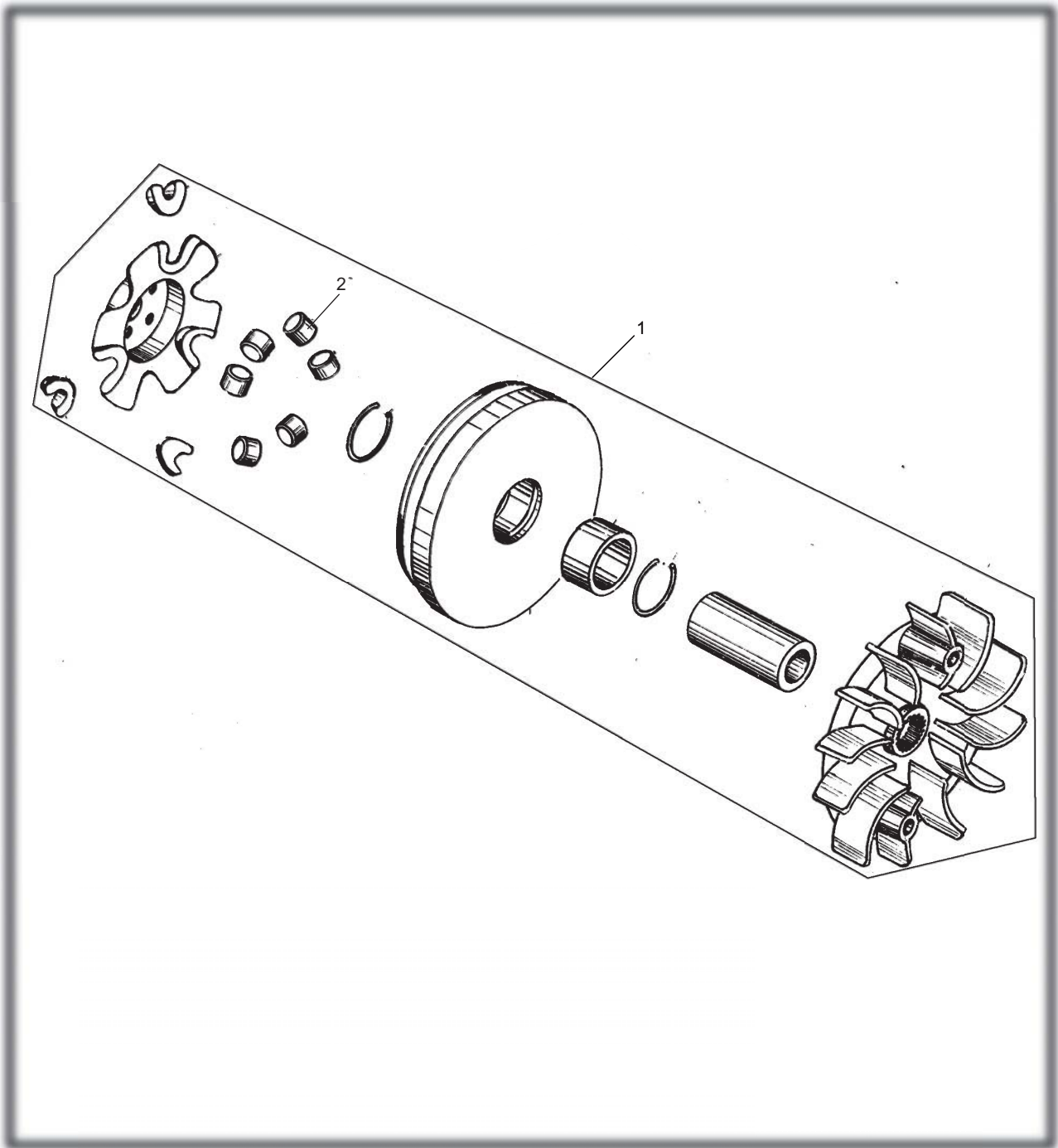
## ELECTRIC STARTER ASSY.



### ELECTRIC STARTER ASSY.

REF NO.	PART NO.	DESCRIPTION	REGD NO.	
1	M150-1060001	FLANGE STARTING CLUTCH	1	
2	M150-1060002	STARTER REDUCTION GEAR SHAFT	1	
3	M150-1060003	STARTER REDUCTION GEAR	1	
4	M150-1060005	FLANGE BOLT M6X16	2	
5	M150-1064000	STARTER MOTOR ASSY.	1	

**DRIVE PULLEY SUBASSY.**



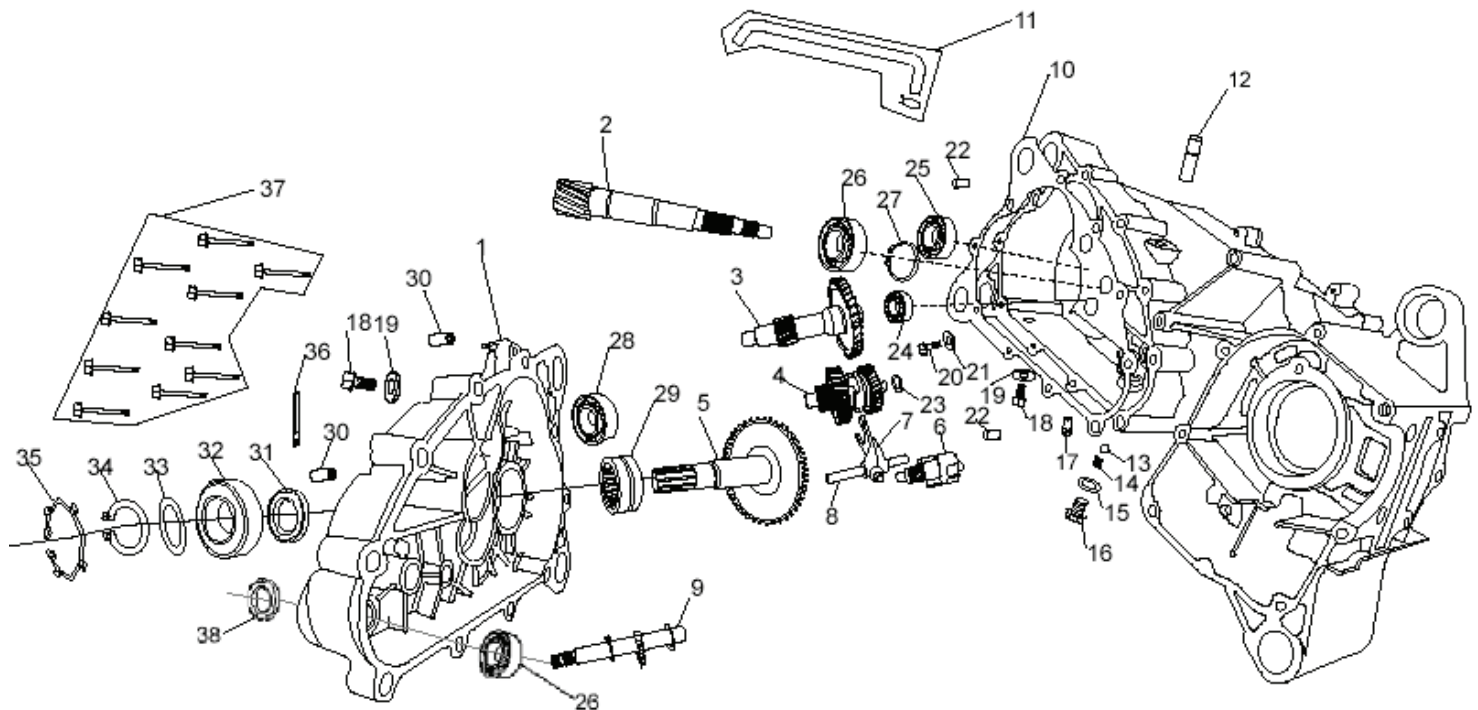
**DRIVE PULLEY SUBASSY.**

REF NO.	PART NO.	DESCRIPTION	REGD NO.	
1	M150-1071000	MOVABLE DRIVE PULLEY ASSY.	1	
2	M150-10710002	ROYER	6	



# FIG.15

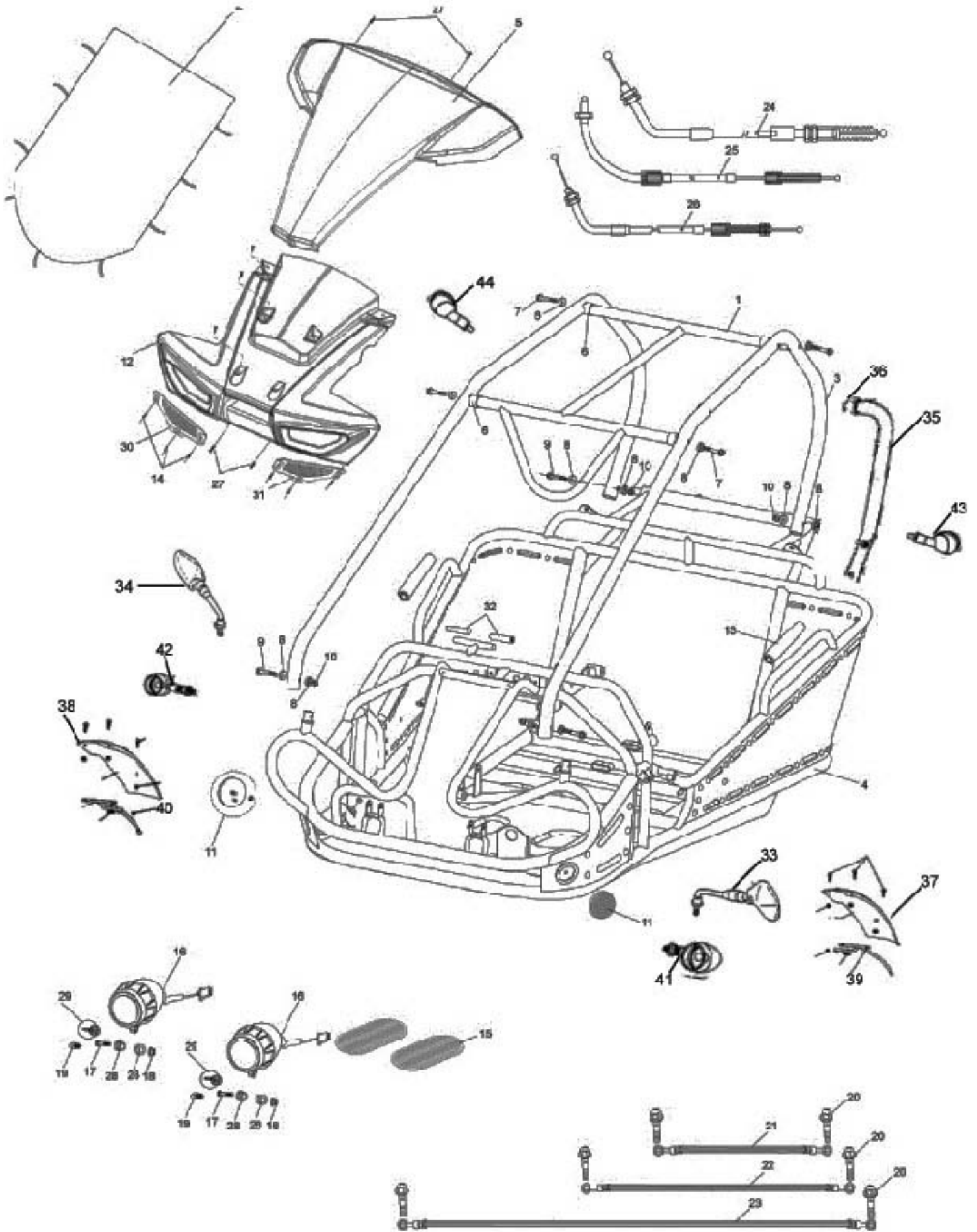
## TRANSMISSION



Ref No	Part No	Description	QTY	Ref No	Part No	Description	QTY
1	14297	Housing, Outer Transmission - 150cc	1	20	14296	Bolt, M6 x 1.00 x 12 FHCS	2
2	14298	Gear, Pri Drive - 150cc	1	21	14315	Washer, M6 Flat	2
3	14299	Gear, Sec Drive - 150cc	1	22	14287	Pin, M10 x 14 Dow el	2
4	14300	Asm, Shift Gear Cluster F/NR - 150cc	1	23	14316	Spacer, M15 Inner Gear	1
5	14301	Gear, Final Drive Shaft	1	24	Y00055	Bearing, 6202 15 x 35 x 11	1
6	14302	Asm, Shift Selector - 150cc	1	25	50102	Bearing, 6203 17 x 40 x 12	1
7	14303	Pawl, Shift Selector - 150cc	1	26	82407	Bearing, 6204 20 x 47 x 14	1
8	14304	Rod, Shift Pawl - 150cc	1	27	14106	Circlip, M20	1
9	14305	Shaft, Shifter Cam - 150cc	1	28	14503	Bearing, 6302 15 x 42 x 13	1
10	14306	Gasket, Transmission Case - 150cc	1	29	14504	Bearing, RNA4905 30 x 42 x 17	1
11	M150-1003400	Tube, Transmission Vent	1	30	14505	Bushing, Shock Absorbing - 150C	2
12	14308	Nipple, Vent Tube - 150cc Large	1	31	14318	Seal, M30 x 40 x 6	1
13	14309	Ball, Shift Indent - 150cc	1	32	14598	Bearing, Sealed 6205 - 150CC	1
14	14310	Spring, Shift Indent - 150cc	1	33	14511	Washer, M22 X 31 X 2.5 Flat	1
15	14311	Gasket, Shift Indent - 150cc	1	34	14319	Circlip, M25	1
16	14312	Bolt, Shift Indent - 150cc	1	35	14320	Circlip, M52	1
17	14502	Nipple, Vent Tube - 150cc Small	1	36	14321	Clamp, Wire	1
18	14313	Bolt, Drain/Fill Plug - 150cc	2	37	14235	Bolt, M6 x 1.00 x 40 FHCS	10
19	14314	Gasket, Trans Drain Plug - 150cc	2	38	14597	Oil Seal, Shifter Cam - 150CC	1

# FIG.16

## FRAME

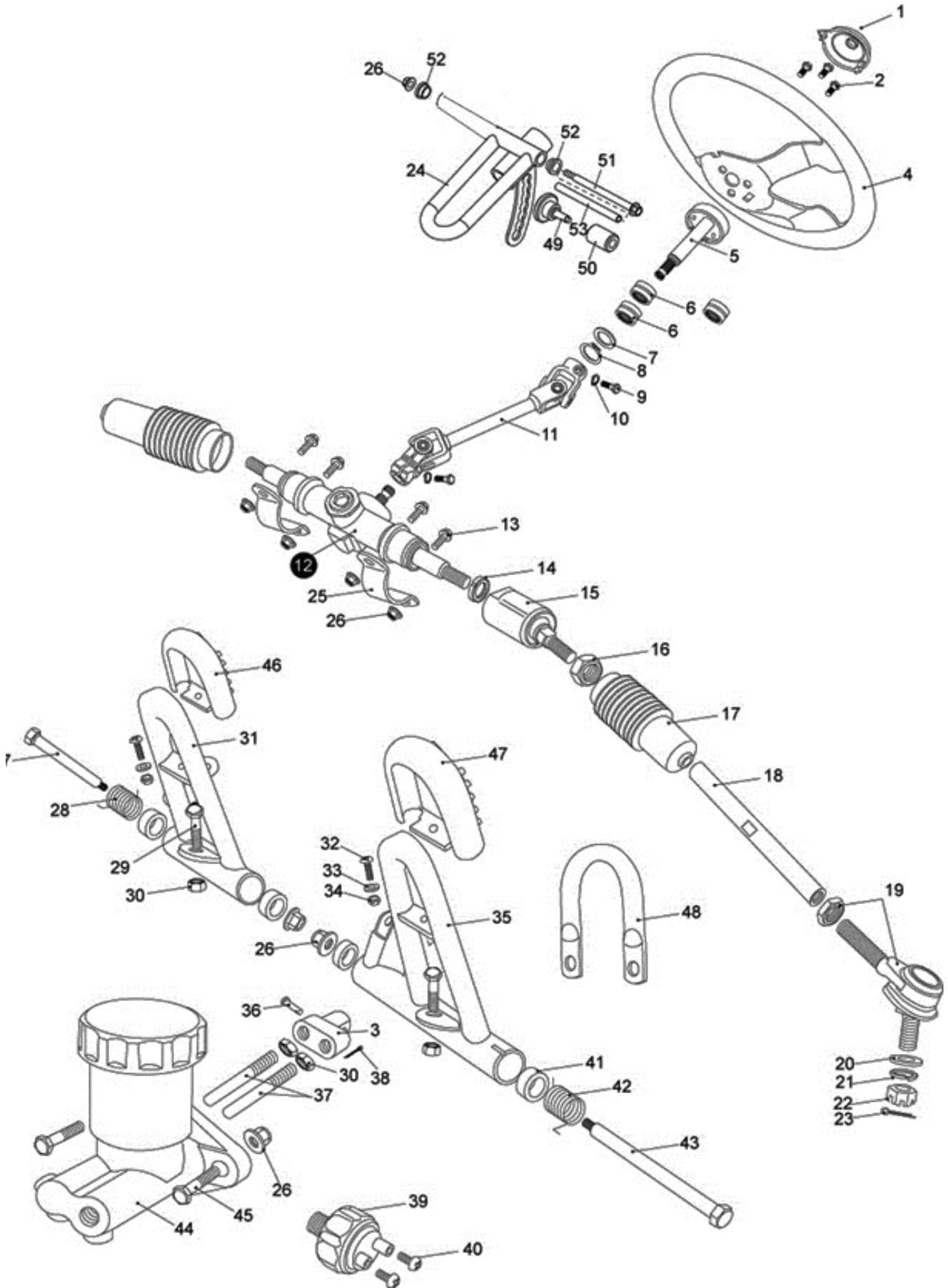


# FIG.16

FRAME GROUP			
REF NO.	PART NO.	DESCRIPTION	REGD. NO
F16-1	13-0101-00	C.B.C. CROSS BAR	1
F16-2	13-0801-00	CANOPY TOP	1
F16-3	13-0102-00-FB	C.B.C. BAR CAGE(B.R.S)	2
F16-4	NA	FRAME COMP.(B.R.S.)	1
F16-5	13-0201-00	FR. HOOD, UPPER	1
F16-6	7.010.017	TUBE SEAT $\Phi$ 25	8
F16-7	9.108.055	SOCKET BOLT M8X1.25X55	8
F16-8	7.010.049	R-WASHER	16
F16-9	9.108.050	SOCKET BOLT M8X1.25X50	4
F16-10	9.220.008	LOCKING FLANGE NUT M8	4
F16-11	6.000.114	Front Side Reflector	2
F16-12	13-0202-03	FR. HOOD, LOWER	1
F16-13	6.000.083	FOAM PADDING	2
F16-14	003-050016-00	SCREW BOLT, M5X16	12
F16-15	7.020.012	RUBBER FOOT PLATE	2
F16-16	13-0206-00	HEADLIGHT UNIT	2
F16-17	9.108.050	FLANGE BOLT M8 x 1.25 x 50	2
F16-18	9.220.008	NUT M8	2
F16-19	Not in headlight	POSITION LIGHT BULB 3W 12V	2
F16-20	9.700.004	BANJO BOLT M10x24	6
F16-21	6.000.089	BRAKE HOSE ASSY. L. 34"	1
F16-22	6.000.090	BRAKE HOSE ASSY. R. 43"	1
F16-23	6.000.091	BRAKE HOSE ASSY. RR. 75"	1
F16-24	6.000.232	THROTTLE CABLE COMP.	1
F16-25	14456	Forward/Reverse Cable F-N-R	1
F16-26	6.000.050	PARKING BRAKE CABLE COMP.	1
F16-27	003-060015-00	PAN SCREW, M6X15	4
F16-28	7.020.049	HEADLIGHT RUBBER MOUNT	4
F16-29	N/A		2
F16-30	13-0203-03R	GRILL ORNAMENT, RH.	1
F16-31	13-0203-03L	GRILL ORNAMENT, LH.	1
F16-32	13-0501-00	GRIP, HANDLEBAR	1
F16-33	6.000.137	LEFT SIDE MIRROR	1
F16-34	7.020.138	RIGHT SIDE MIRROR	1
F16-35	13-0103-00-FB	SIDE ARM BARS	2
F16-36	7.010.016	TUBE SEAT SIDE ARM BARS	2
F16-37	7.010.034-SS	LEFT FRONT FENDER	1
F16-38	7.010.034-SS	RIGHT FRONT FENDER	1
F16-39	6.000.102-S	LEFT FRONT FENDER BRACKET	1
F16-40	6.000.167-S	RIGHT FRONT FENDER BRACKDET	1
F16-41	6.000.155	FRONT LEFT TURN SIGNAL	1
F16-42	6.000.156	FRONT RIGHT TURN SIGNAL	1
F16-43	6.000.156	REAR LEFT TURN SIGNAL	1
F16-44	6.000.155	REAR RIGHT TURN SIGNAL	1

# FIG.17

## STEERING SHAFT ASSEMBLY



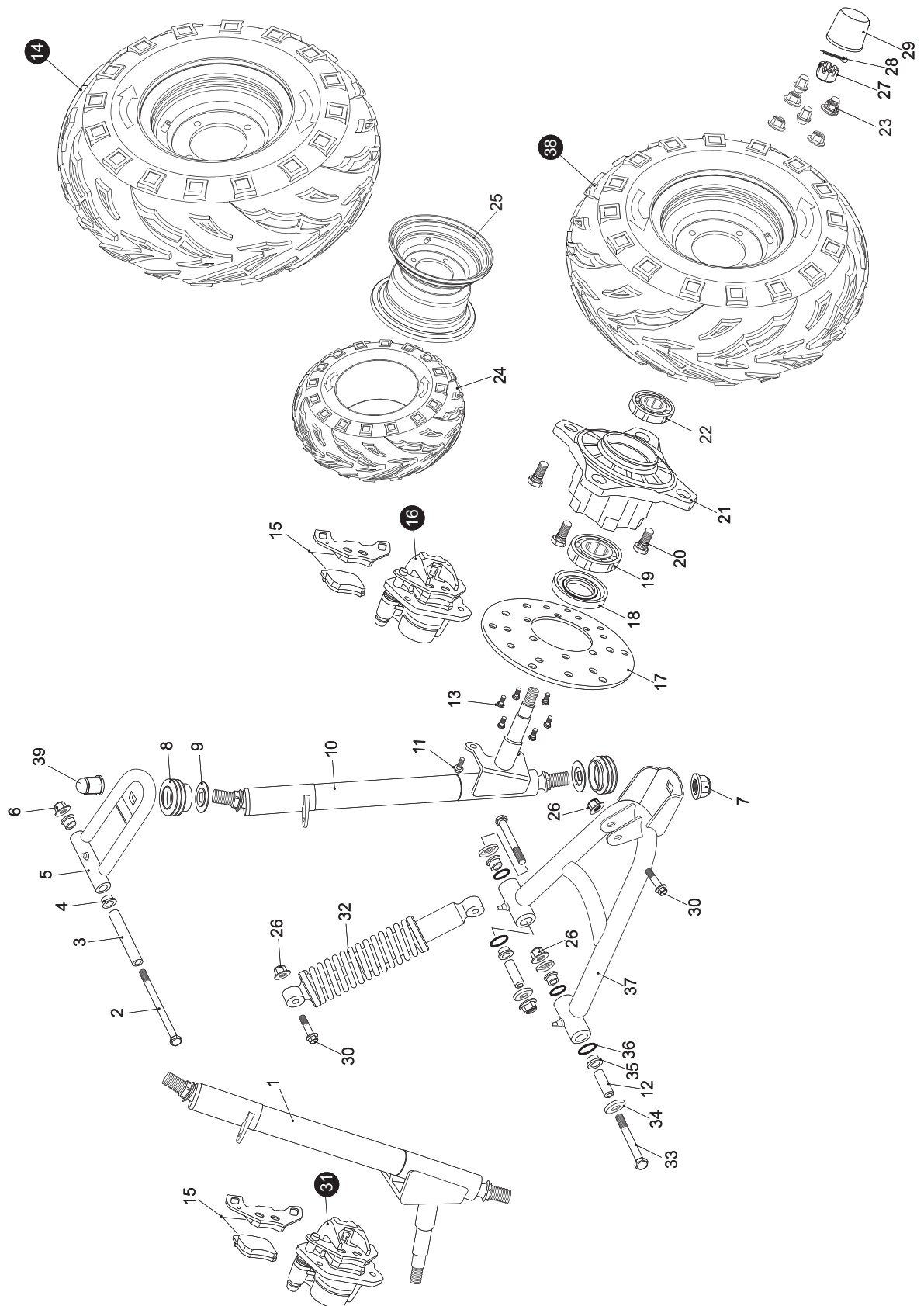


# FIG.17

STEERING SHAFT ASSEMBLY			
REF NO.	PART NO.	DESCRIPTION	REGD. NO
F17-1	7.010.041	STEERING BOLT COVER	1
F17-2	9.100.612	BOLT STRAP M6x12	3
F17-3	8.030.024	SPINDLE BRACKET	1
F17-4	7.020.038	STEERING WHEEL	1
F17-5	6.000.122	STEERING SHAFT	1
F17-6	9.030.012	BEARING NK20/16	2
F17-7	9.700.020	SPECIAL WASHER $\Phi$ 20	1
F17-8	9.700.120	CIRCLIP $\Phi$ 20	1
F17-9	9.108.025	BOLT M8x25	2
F17-10	9.400.008	LOCKING WASHER $\Phi$ 8	2
F17-11	6.000.093-250	STEERING KNUCKLE	1
F17-12	4.000.035-250	STEERING GEAR	1
F17-13	9.108.025	FLANGE BOLT M8x1.25x25	4
F17-14	9.900.016	ROUND NUT M16x1.5	2
F17-15	4.000.008	STEERING BALL JOINT	2
F17-16	9.200.010	NUT M10	2
F17-17	7.020.002	BALL JOINT DUST COVER. L.	2
F17-18	8.010.157-250	TIE ROD	2
F17-19	6.000.062	ROD END	2
F17-20	9.300.010	FLAT WASHER $\Phi$ 10	2
F17-21	9.400.010	LOCKING WASHER $\Phi$ 10	2
F17-22	9.800.010	CASTLE NUT M10	2
F17-23	9.500.215	COTTER PIN $\Phi$ 2x15	2
F17-24	13-1012-00	TILT STEERING HOUSING	1
F17-25	8.020.014	STEERING GEAR BRACKET	2
F17-26	9.220.008	LOCKING FLANGE NUT. M8	8
F17-27	9.708.145	THROTTLE PEDAL BOLT M8x1.25x145	1
F17-28	8.040.001	THROTTLE PEDAL RETURN SPRING, L	1
F17-29	9.108.040	FLANGE BOLT M8x1.25x40	2
F17-30	9.200.008	NUT M8	2
F17-31	4.000.016	THROTTLE PEDAL COMP.	1
F17-32	9.600.515	PAN SCREW M5x15	2
F17-33	9.300.005	FLAT WASHER $\Phi$ 5	2
F17-34	9.210.005	NYLON LOCK NUT M5	2
F17-35	4.000.015	BRAKE PEDAL COMP	1
F17-36	9.700.624	PIN 6x24	1
F17-37	8.010.081	SPINDLE PIN	2
F17-38	9.500.212	COTTER PIN 2X12	1
F17-39	6.000.063	BRAKE LAMP SWITCH ASSY.	1
F17-40	9.600.306	PAN SCREW M3x6	2
F17-41	7.010.004	PEDAL BUSH	4
F17-42	8.040.007	BRAKE PEDAL RETURN SPRING, R	1
F17-43	9.708.222	BRAKE PEDAL BOLT M8x1.25x222	1
F17-44	6.000.076	MASTER CYLINDER	1
F17-45	9.108.035	BOLT-WASHER M8x1.25x35	2
F17-46	7.020.036	THROTTLE PEDAL PAD	1
F17-47	7.020.037	BRAKER PEDAL PAD	1
F17-48	8.070.044	MASTER CYLINDER BRACKET	2
F17-49	8.010.220	ADJUSTING NOB	1
F17-50	8.010.221	ADJUSTING NOB BLOCK	1
F17-51	9.108.110	TILT STEERING BOLT	1
F17-52	7.010.003	TILT STEERING LOCKING BUSH	2
F17-53	8.010.222	COLLAR	1

# FIG.18

## SUSPENSION ARM ASSY.



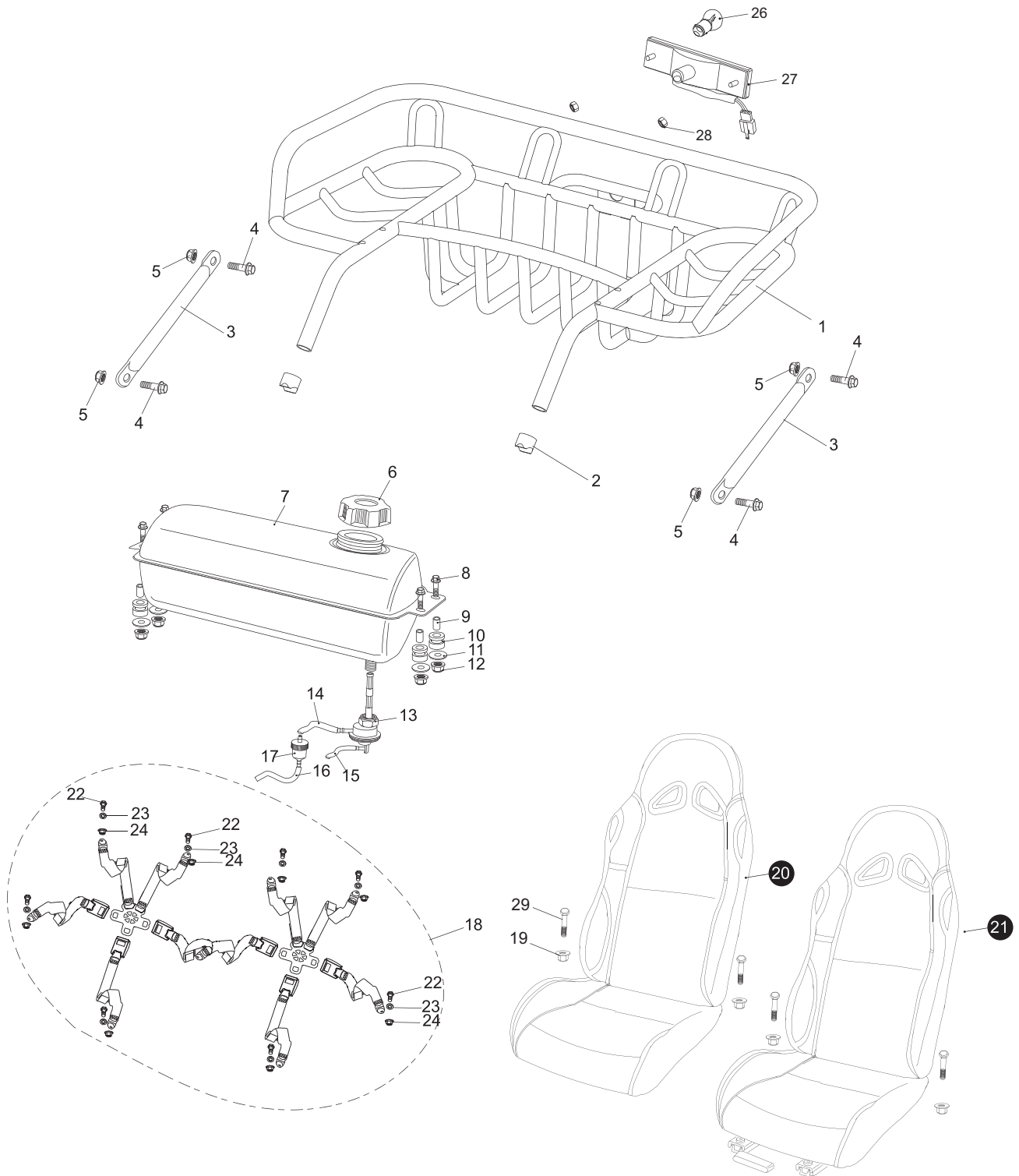
# FIG.18

## SUSPENSION ARM ASSEMBLY.

REF NO.	PART NO.	DESCRIPTION	REGD. NO
F18-1	2.000.027-GTS	STRUT AND SPINDLE SUPPORT, R	1
F18-2	9.108.105	FLANGE BOLT M8x1.25x105	2
F18-3	8.010.015	UPPER SUSPENSION ARM COLLAR	2
F18-4	7.010.003	UPPER SUSPENSION ARM BUSHING	4
F18-5	4.000.004-SLV	UPPER SUSPENSION ARM	2
F18-6	9.220.008	LOCKING FLANGE NUT. M8	2
F18-7	9.220.012	LOCKING FLANGE NUT. M12	4
F18-8	7.020.025	BALL HEAD DUST SEAL	4
F18-9	8.020.053	BALL HEAD SPACER	4
F18-10	2.000.028-GTS	STRUT AND SPINDLE SUPPORT, L	1
F18-11	9.908.014	BOLT STRAP M8x14	4
F18-12	8.010.014	LOWER SUSPENSION ARM COLLAR	4
F18-13	9.106.012	BOLT STRAP M6x12	12
F18-14	13-0901-03R	FRONT TIRE & WHEEL, RIGHT 19x7-8	1
F18-15	7.020.016	PAD SET. FR. BRAKE CALIPER	2
F18-16	6.000.028	FRONT BRAKE CALIPER. L	1
F18-17	8.010.054	FRONT DISC BRAKE	2
F18-18	9.040.002	DUST SEAL 47x25-7	2
F18-19	9.030.002	BEARING 6204-Z	2
F18-20	9.710.031	TIRE BOLT M10x1.25x31	8
F18-21	8.010.085B	FRONT WHEEL HUB	2
F18-22	9.030.010	BEARING 6202-Z	2
F18-23	9.220.010	LOCKING FLANGE NUT M10	8
F18-24	7.020.033	FRONT TIRE 19x7-8	1
F18-25	002-100080-03	FRONT WHEEL 8" STEEL BLACK	2
F18-26	9.220.010	LOCKING FLANGE NUT M10	16
F18-27	9.800.012	CASTLE NUT M12	2
F18-28	9.500.220	COTTER PIN $\Phi$ 2x20	2
F18-29	7.020.039	FR. HUB COVER.	2
F18-30	9.110.040	FLANGE BOLT M10x1.25x40	4
F18-31	6.000.095	FRONT BRAKE CALIPER. R	1
F18-32	6.000.325	CUSHION ASSY. FR L=325	2
F18-33	9.110.080	FLANGE BOLT M10x1.25x80	4
F18-34	8.020.034	LOWER SUSPENSION ARM DUST CAP	8
F18-35	7.010.002	LOWER SUSPENSION ARM BUSHING	8
F18-36	9.040.001	O-RING $\Phi$ 21.2x2.65	8
F18-37	4.000.023-SLV	LOWER SUSPENSION ARM ASSY.	2
F18-38	13-0901-03L	FRONT TIRE & WHEEL, LEFT 19X7-8	1
F18-39	8.010.140	ACORN NUT M12	2

# FIG.19

## REAR CARGO RACK/SEAT/BELT

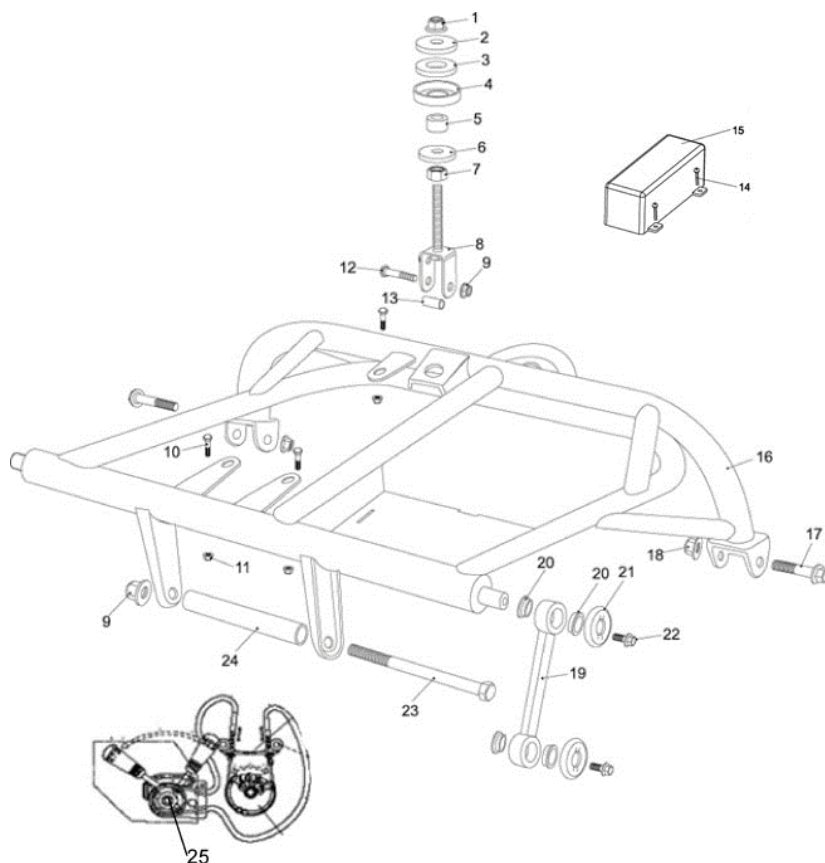




# FIG.19

REAR CARGO RACK / SEAT BELTS / SEATS			
REF NO.	PART NO.	DESCRIPTION	REGD. NO
F19-2	7.010.017	TUBE SEAT $\Phi$ 25	2
F19-3	8.080.051	RACK SUPPORT ARM FLAT BLACK	2
F19-4	9.108.020	FLANGE BOLT M8X1.25X20	4
F19-5	9.220.008	LOCKING FLANGE NUT. M8	4
F19-6	6.000.053	FUEL TANK CAP COMP.	1
F19-7	4.000.011	TUEL TANK COMP.	1
F19-8	9.108.025	FLANGE BOLT M8X1.25X25	4
F19-9	8.010.034	TANK COLLAR.	4
F19-10	7.020.005	RUBBER MOUNT	4
F19-11	9.300.008	FLAT WASHER $\Phi$ 8	4
F19-12	9.220.008	NYLON LOCKING FLANGE NUT M8	6
F19-13	6.000.046	AUTO FUEL COCK ASSY.	1
F19-14	7.020.030	FUEL TUBE COMP. #1	1
F19-15	7.020.031	VACUUM TUBE COMP.	1
F19-16	7.020.029	VACUUM TUBE COMP. #2	1
F19-17	6.000.056	FILTER	1
F19-18	6.000.354	SAFETY BELT COMP.	1
F19-19	9.220.008	NUT M8	2
F19-20	13-0401-00R	SEAT COMP. R	1
F19-21	13-0401-00L	SEAT COMP.L	1
F19-22	9.700.001	SPECIAL BOLT, M7/16"x28	1
F19-23	9.700.002	WASHER BELT $\Phi$ 12	9
F19-24	9.700.003	BELT NUT M7/16"	9
F19-25	6.000.379	SEAT RALL SET.	1
F19-26	9.090.002	TAIL LIGHT BULB. 21W/5W 12V	1
F19-27	6.000.010	TAIL LIGHT	1
F19-28	9.220.006	LOCKING NYLON NUT, M6	2
F19-29	9.108.040	BOLT SHARP M8X1.25X40	4

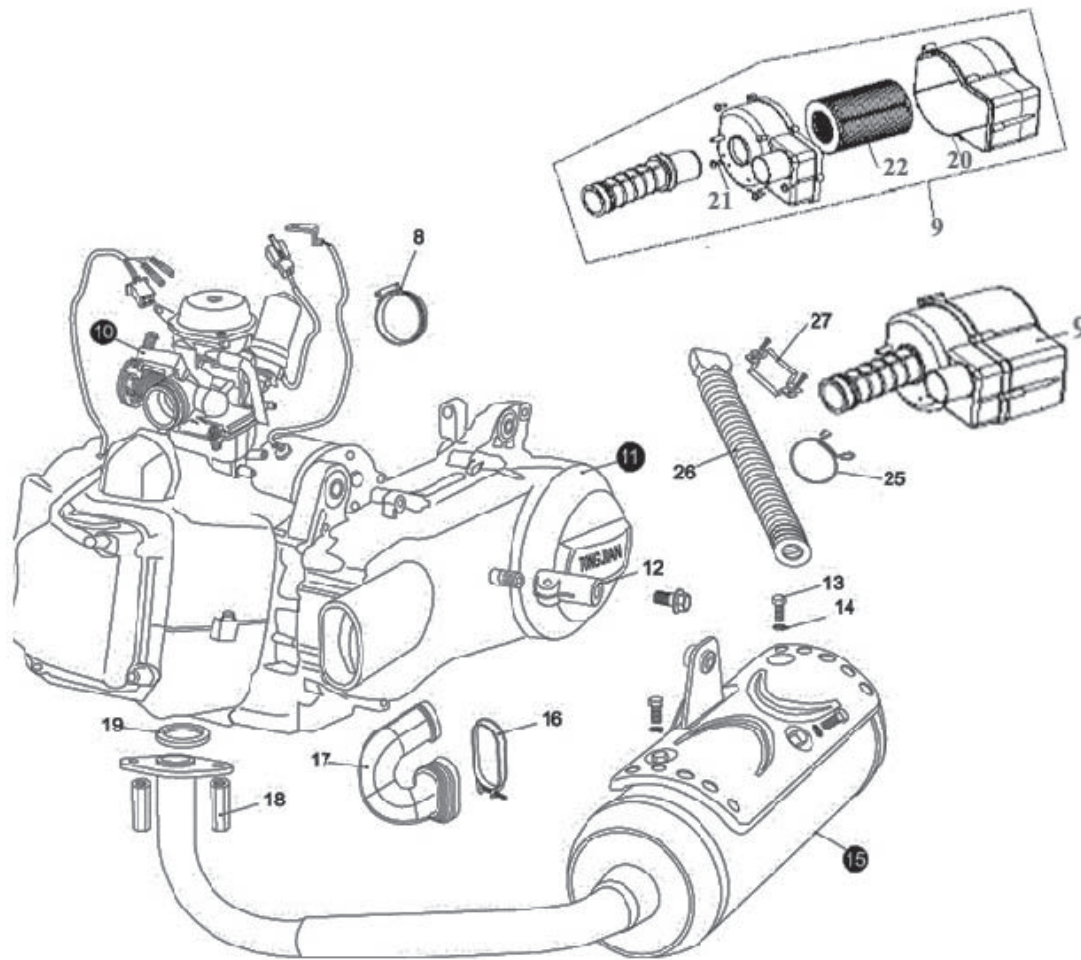
# FIG.20



REAR UPPER SWINGARM			
REF NO.	PART NO.	DESCRIPTION	REGD. NO
F20-1	9.220.012	LOCKING FLANGE NUT. M12	1
F20-2	8.010.042	WASHER. ENGINE MOUNT LINK	1
F20-3	7.020.001	CUSHION. ENGINE MOUNT LINK	1
F20-4	8.020.045	SPACER. ENGINE MOUNT LINK	1
F20-5	8.010.041	COLLAR. ENGINE MOUNT LINK	1
F20-6	9.300.012	WASHER. FLAT Φ12	1
F20-7	9.200.012	NUT M12	1
F20-8	6.000.026	ENGINE MOUNT BOLT PLATE	1
F20-9	9.220.010	LOCKING FLANGE NUT. M10	1
F20-10	9.106.022	BOLT-WASHER M6x22	3
F20-11	9.220.006	LOCKING NYLON NUT. M6	3
F20-12	9.110.045	BOLT-WASHER M10x1.25x45	1
F20-13	8.010.076	COLLAR. ENGINE MOUNT BOLT PLATE	1
F20-14	9.600.630	SCREW. PAN M6x30	2
F20-15	7.010.084	COVER. ELECTRIC ASS'Y.	1
F20-16	2.000.062	REAR SWING ARM ASS'Y. UPPER	1
F20-17	9.112.060	BOLT-WASHER M12x1.25x60	2
F20-18	9.220.012	LOCKING FLANGE NUT. M12	2
F20-19	8.030.001	SWING ARM DOG BONE	2
F20-20	7.010.008	BUSH. CON' ROD	8
F20-21	8.020.013	SPACER. CON' ROD	4
F20-22	9.108.016	BOLT-WASHER M8x1.25x16	4
F20-23	9.710.195	BOLT-WASHER M10x1.25x195	1
F20-24	8.010.025	COLLAR. ENGINE MOUNT	1
F20-25	6.000.042-N	SHIFTER ASSEMBLY	1

# FIG.21

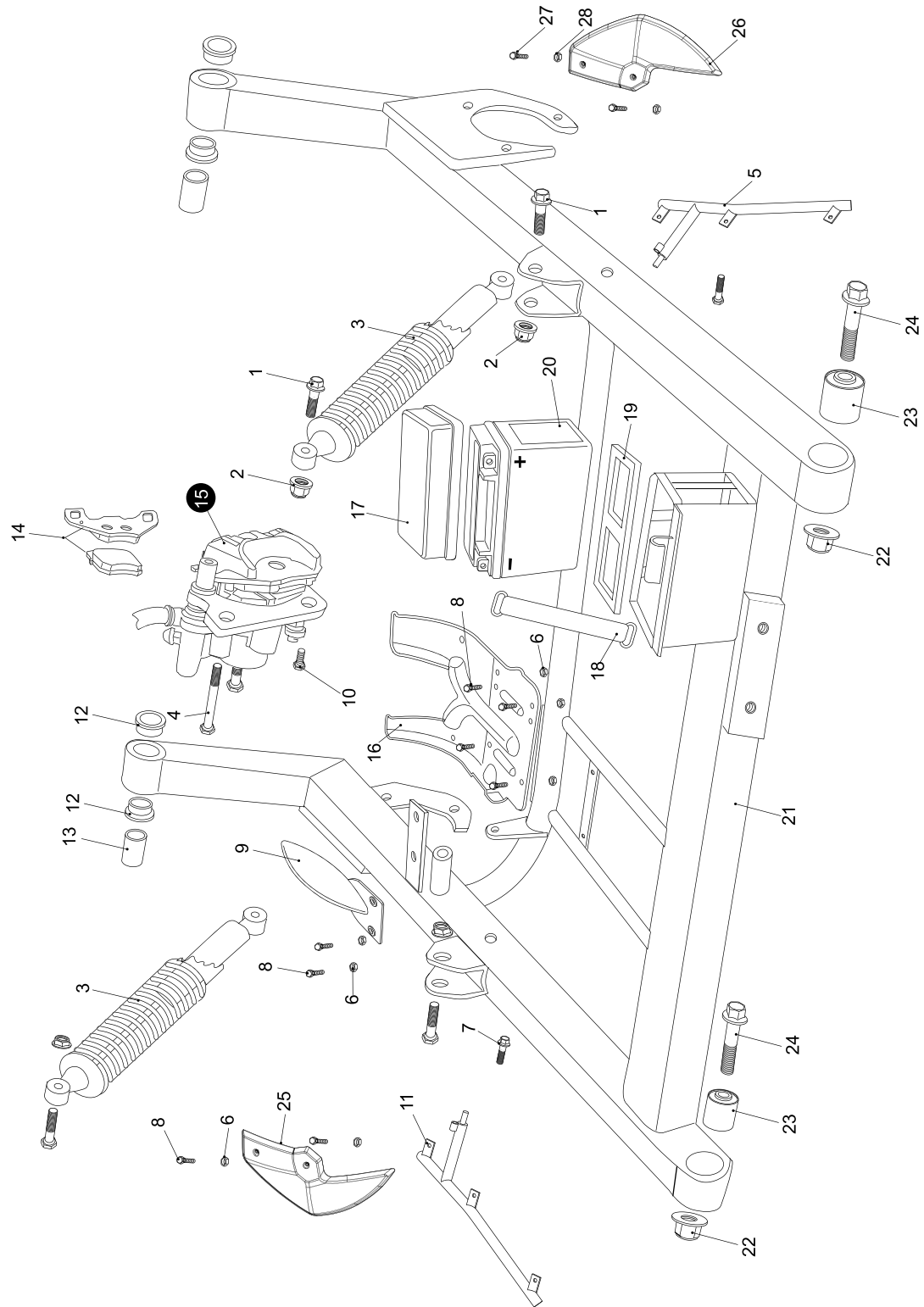
## ENGINE / MUFFLER / AIR CLEANER



ENGINE / MUFFLER / AIR CLEANER			
REF NO.	PART NO.	DESCRIPTION	REGD. NO
F21-8	8.020.056	AIR CLEANER CLAMP	1
F21-9	4.000.055	AIR CLEANER ASSY.	1
F21-10	6.000.024	CARBURETOR	1
F21-11	2.000.009-N	ENGINE, 150CC	1
F21-12	8.030.037	MUFFLER RACK SUPPORT	1
F21-13	9.100.612	BOLT, M5X16	3
F21-14	9.400.006	LOCKING WASHER $\Phi$ 6	3
F21-15	6.000.074	MUFFLER COMP. EX	1
F21-16	NA	BOOT CLAMP	1
F21-17	14322	SIDE CASE BOOT	1
F21-18	9.040.027	MUFFLER JOINT NUT, M6	2
F21-19	9.040.005	EX. PIPE GASKET	1
F21-20	7.010.087	AIR CLEANER CASE COMP	1
F21-21	9.805.003	TAPPING SCREW, M5X16	4
F21-22	6.000.151	AIR CLEANER ELEMENT	1
F21-23	7.010.087	AIR CLEANER COVER	1
F21-24	7.010.033	CHAIN PROTECTOR, RR.	1
F21-25	NA	AIR CLEANER CLIP	1
F21-26	NA	AIR CLEANER DUCT	1
F21-27	NA	AIR CLEANER CLAMP	1
F21-28	9.108.040	FLANGE BOLT, M8X1.25X40	1

# FIG.22

## REAR SWING ARM

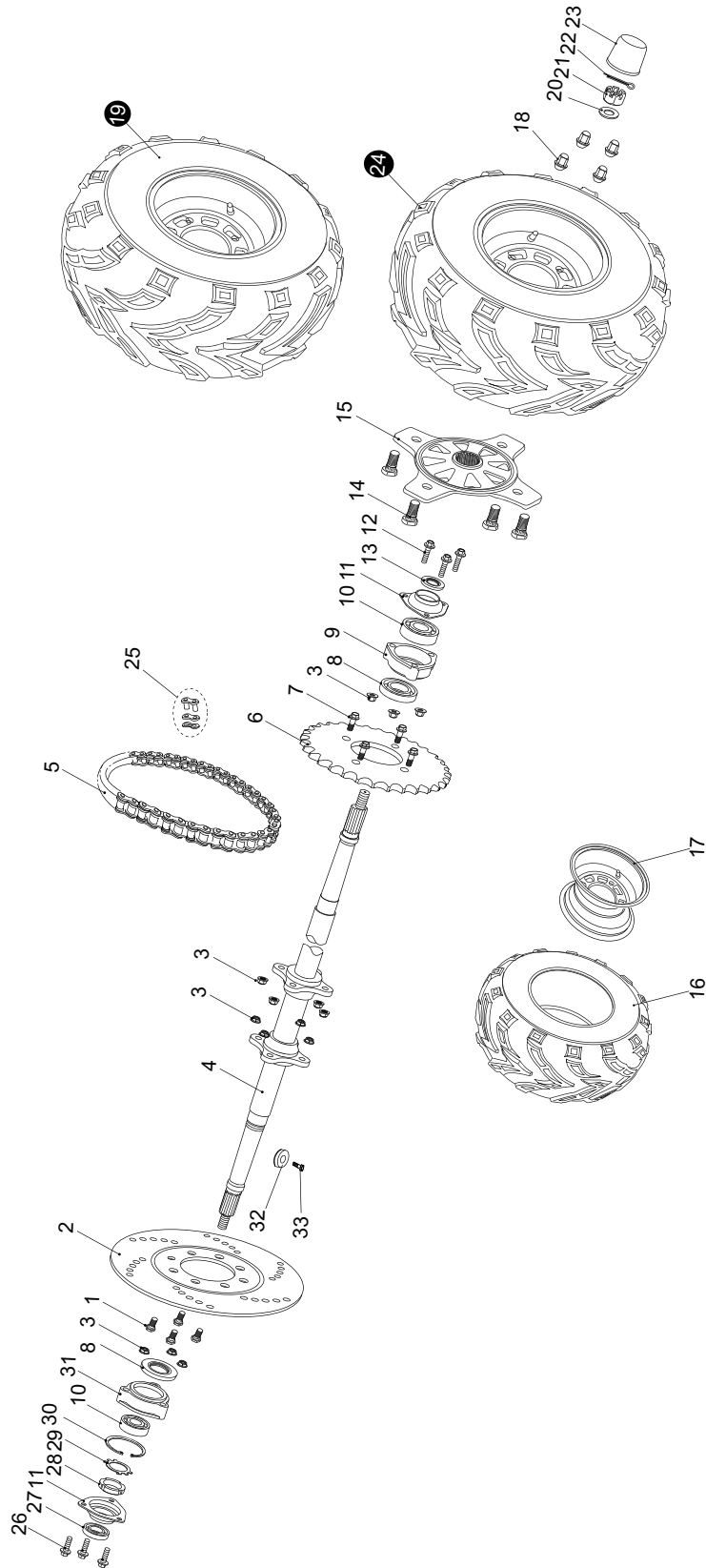


# FIG.22

REAR SWING ARM			
REF NO.	PART NO.	DESCRIPTION	REGD. NO
F22-1	9.110.040	FLANGE BOLT M10x1.25x40	4
F22-2	9.220.010	LOCKING FLANGE NUT M10	4
F22-3	6.000.006	CUSHION ASSY. RR	2
F22-4	9.108.100	BOLT STRAP M8x1.25x100	1
F22-5	13-0601-00L	REAR FENDER BRACKET, L	1
F22-6	9.220.006	LOCKING NYLON NUT M6	12
F22-7	9.108.045	FLANGE BOLT M8x1.25x45	2
F22-8	9.906.016	FLANGE BOLT M6x16	12
F22-9	7.010.031	DISC. RR COVER	1
F22-10	9.108.012	BOLT STRAP M8x1.25x12	1
F22-11	13-0601-00R	REAR FENDER BRACKET, R	1
F22-12	7.010.006	SWING ARM BUSHING	4
F22-13	8.010.028	SWING ARM COLLAR	2
F22-14	7.020.022	RR. BRAKE PAD SET	1
F22-15	6.000.229	CALIPER ASSY. RR	1
F22-16	7.010.032	CHAIN DISC GUARD	1
F22-17	7.010.028	BATTERY COVER	1
F22-18	7.020.023	BATTERY BAND	1
F22-19	7.020.020	BATTERY LOWER CUSHION	1
F22-20	6.000.055	BATTERY (YTX12-BS)	1
F22-21	2.000.042	RR. LOWER SWING ARM COMP.	1
F22-22	9.220.012	LOCKING FLANGE NUT M12	2
F22-23	7.020.008	SWING ARM CUSHION BUSHING	2
F22-24	9.112.060	FLANGE BOLT M12x1.25x60	2
F22-25	13-0204-00R	RR. FENDER, RH.	1
F22-26	13-0204-00L	RR. FENDER, LH.	1
F22-27	9.106.016	BOLT, M6X16	4
F22-28	9.220.006	NUT, M6	4

# FIG.23

## REAR HOUSING



# FIG.23

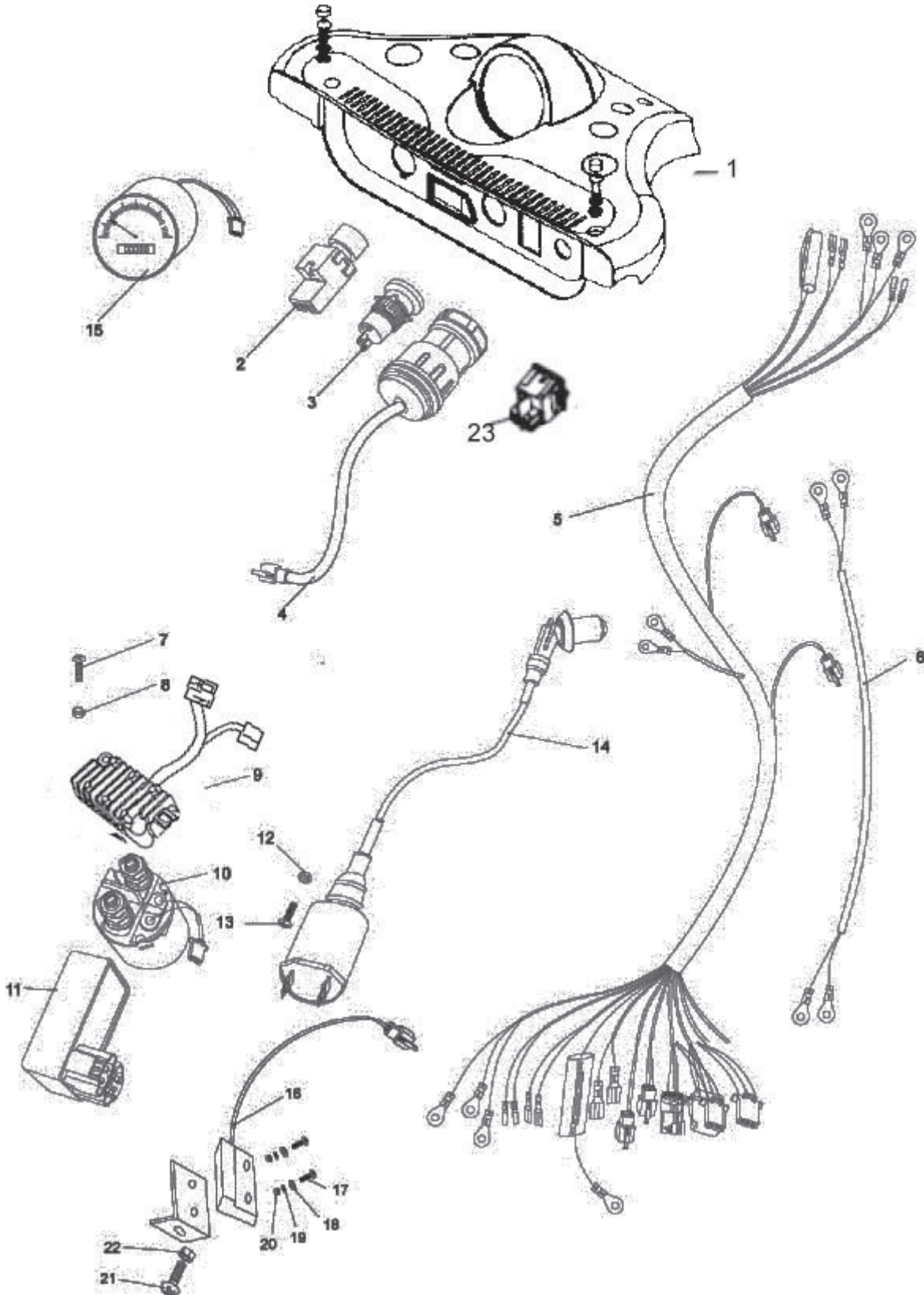
## REAR HOUSING

REF NO.	PART NO.	DESCRIPTION	REGD. NO
F23-1	9.108.022	BOLT-WASHER M8x1.25x22	4
F23-2	8.010.053	DISC. RR. BRAKE	1
F23-3	9.220.008	LOCK FLANGE NUT. M8	14
F23-4	8.010.057B	REAR AXLE	1
F23-5	9.070.002	CHAIN O-RING DRIVE.	1
F23-6	8.010.077	REAR SPROCKET	1
F23-7	9.108.027	BOLT-WASHER M8x1.25x27	4
F23-8	9.040.006	DUST SEAL 50X34-7	2
F23-9	8.030.008	COMP. HOUSING RR. AXLE BRG	2
F23-10	9.030.006	BEARING 6206	2
F23-11	8.020.028	BEARING BASE	2
F23-12	9.108.040	BOLT-WASHER M8x1.25x40	6
F23-13	9.040.007	DUST SEAL 42X30-7	2
F23-14	9.710.031	BOLT. TIRE M10x1.25x31	8
F23-15	8.010.089B	HUB. REAR AXLE	2
F23-16	7.020.035	TIRE. RR 21x10-10	2
F23-17	002-100100-03	RIM. RR 10" BLACK	2
F23-18	9.220.010	LUG NUT. M10	8
F23-19	13-0902-03R	REAR. WHEEL ASSY. R	1
F23-20	9.700.016	SPACER. RR. WHEEL 16	2
F23-21	9.800.016	CASTLE NUT. M16	2
F23-22	9.500.430	COTTER PIN. 4X30	2
F23-23	7.020.039	COVER. RR. HUB	2
F23-24	13-0902-03L	REAR TIRE & WHEEL	1
F23-25	6.000.149	MASTER LINK. CHAIN	1
F23-26	9.108.045	FLANGE BOLT M8X1.25X45	3
F23-27	9.040.008	DUST SEAL 42X28-7	1
F23-28	9.900.030	ROUND NUT M30X1.5	1
F23-29	8.020.181	KEEPER	1
F23-30	9.700.300	CIRCLIP $\Phi$ 62	1
F23-31	8.030.033	AXLE BRG HOUSING COMP.RR	1
F23-32	7.050.001	MAGNETIC CONTACT	1
F23-33	9.600.308	Pan Screw M3x8	1



# FIG.24

## ELECTRICALS





# FIG.24

ELECTRICALS			
REF NO.	PART NO.	DESCRIPTION	REGD. NO
F24-1	7.110.038	SWITCH PANEL COVER	1
F24-2	13-0302-00	IGNITION START SWITCH	1
F24-3	6.000.159	ENGINE STOP BUTTON	1
F24-4	6.000.158	KEY & HEADLIGHT SWITCH	1
F24-5	13-0303-01	WIRE HARNESS.	1
F24-6	6.000.204	SOCKET COMP	1
F24-7	9.106.020	BOLT M6x20	2
F24-8	9.220.006	NYLON LOCKING NUT M6	2
F24-9	6.000.124-GTS	REGULATE RECTIFIER COMP.	1
F24-10	6.000.035	STARTING RELAY	1
F24-11	6.000.267	C.D.I. UNIT COMP.	1
F24-12	9.210.005	NYLON LOCKING NUT M5	1
F24-13	9.600.525	ROUND HEAD BOLT M5x25	1
F24-14	6.000.126	IGNITION COIL COMP.	1
F24-15	12.026.017-GTS	SPEEDOMETER	1
F24-16	6.000.268	SPEEDOMETER SENSOR	1
F24-17	12.026.024	SCREW, M3X10 (GB818)	1
F24-18	12.026.025	SPRING WASHER, 3 (GB93)	1
F24-19	12.026.026	FLAT WASHER,3 (GB97.1)	1
F24-20	12.026.027	NUT, M3 (GB6170)	1
F24-21	9.106.020	BOLT, M6X20 (GB5787)	1
F24-22	9.220.006	NUT, M6 (GB6187)	1
F24-23	6.000.058	HEADLIGHT SWITCH	1