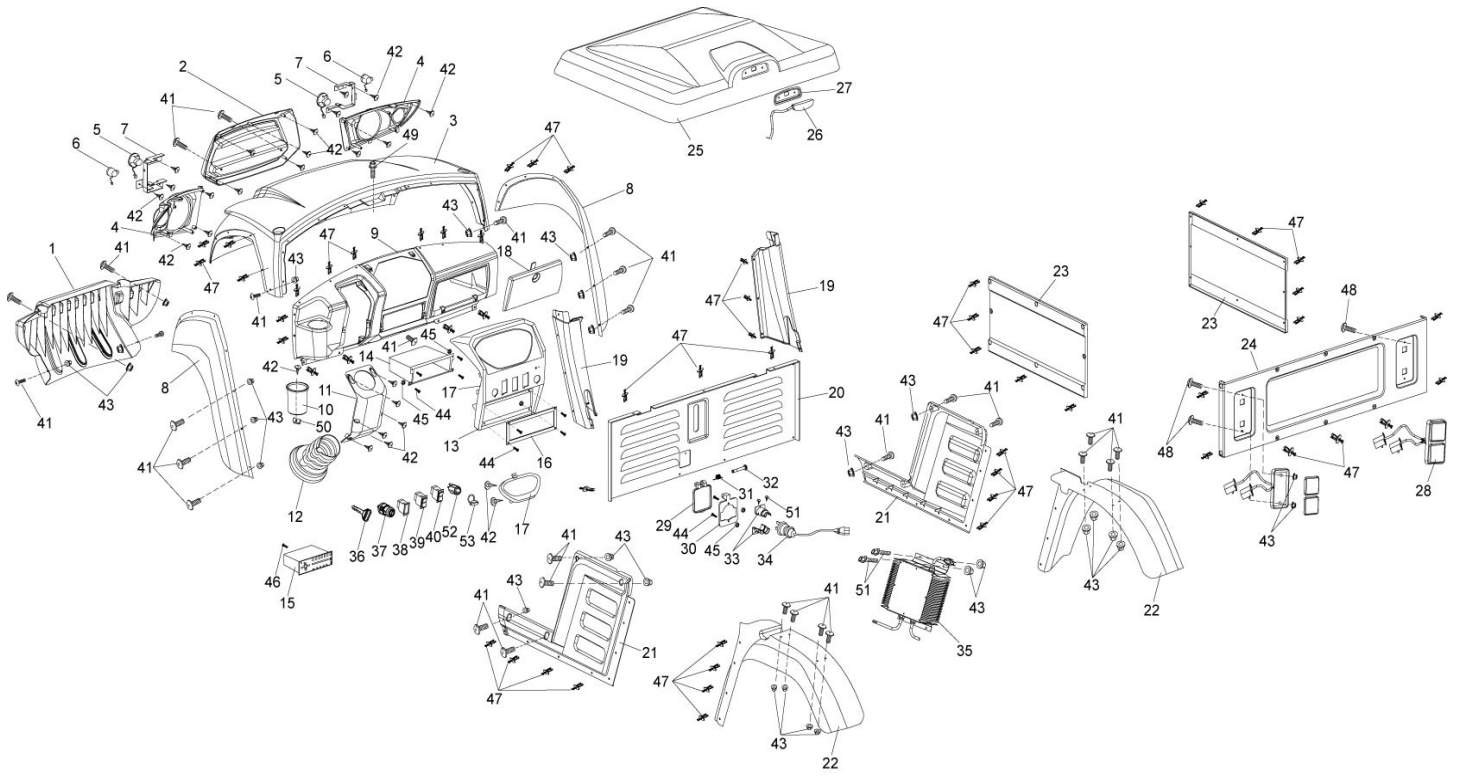


Illustrated Parts Book



Model: Charger 48Volt Electric

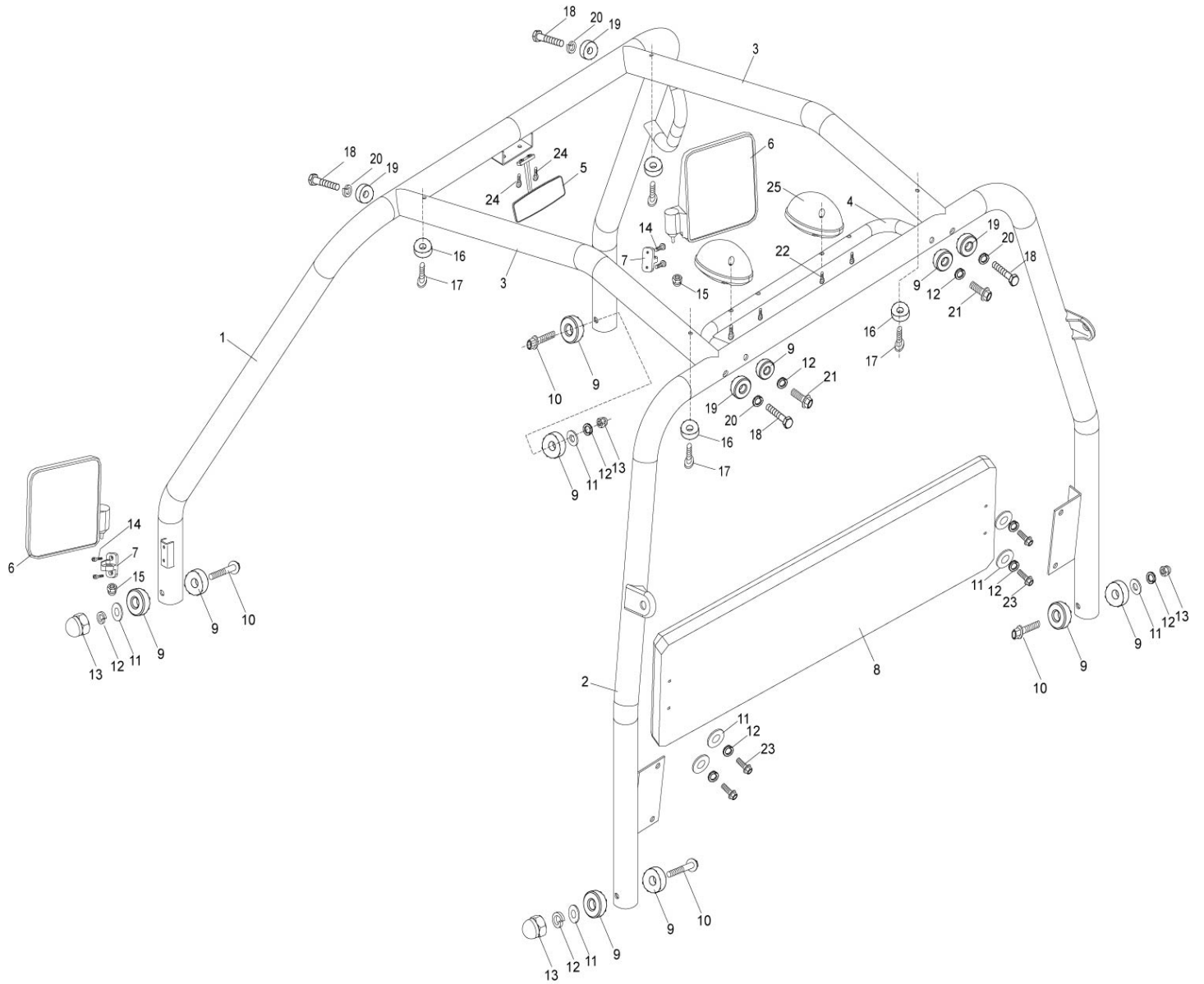
FIGURE 1. BODY



REF#	HH PART#	DESCRIPTION	PCS	PRICE(\$)
F1-1	15-0208-00	FRONT BUMPER	1	
F1-2	15-0203-00	FRONT HOOD INSERT	1	
F1-3	15-0201-00	HOOD UPPER	1	
F1-4	15-0209-00L	HEADLIGHT COVER, LH	1	
	15-0209-00R	HEADLIGHT COVER, RH		
F1-5	15-0206-00	HEADLIGHT	2	
F1-6	15-0210-00	FRONT BLINKER	1	
F1-7	15-0607-00	HEADLIGHT BRACKET	2	
F1-8	15-0211-00L	FR. FENDER, LH	1	
	15-0211-00R	FR. FENDER, RH		
F1-9	15-0214-00	DASHBOARD	1	
F1-10	15-0212-00	CUP HOLDER	1	
F1-11	15-0213-00	PROTECTIVE PANEL, STEERING SHAFT	1	
F1-12	15-0504-00	BOOT, STEERING SHAFT	1	
F1-13	15-0205-00	CENTER CONSOLE	1	
F1-14	15-0215-00	CD PLAYER SLOT	1	
F1-15			1	
F1-16	15-0216-00	CD PLAYER SLOT, BORDER	1	
F1-17	15-0305-00	SPEEDOMETER	1	
F1-18	15-0217-00	CLOVE COMPARTMENT COVER	1	
F1-19	15-0218-00	LOWER PROTECTIVE PANEL, FR. (PAIR)	1	
F1-20	15-0219-00	SEAT TUB FRONT PANEL	1	
F1-21	15-0220-00L	SEAT TUB SIDE PANEL, LEFT	1	
	15-0220-00R	SEAT TUB SIDE PANEL, RIGHT		
F1-22	15-0221-00L	TIRE WELL, REAR LEFT	1	
	15-0221-00R	TIRE WELL, REAR RIGHT		
F1-23	15-0222-00	DUMP BED SIDE PANEL	2	

REF#	HH PART#	DESCRIPTION	PCS	PRICE(\$)
F1-24	15-0223-00	DUMP BED BACK PANEL	1	
F1-25	15-0224-00	ROOF	1	
F1-26	15-0205-00	ROOF BRAKE LIGHT	1	
F1-27	15-0506-00	ROOF BRAKE LIGHT RUBBER SEAL	1	
F1-28	15-0226-00	REAR TAIL LIGHT	2	
F1-29	15-0227-00	CHARGER FLIP COVER (NEED ASSEMBLY)	1	
F1-34	15-0701-00	EXTENSIVE CABLE, CHARGER	1	
F1-35	15-0306-00	CHARGER	1	
		KEY SWITCH, (KEY AND SWITCH A SET)	1	
F1-37	15-0301-00	KEY SET	1	
F1-38	15-0307-00	BATTERY METER	1	
F1-39	15-0308-00	FORWARD/REVERSE SWITCH	1	
F1-40	15-0309-00	HAZARD LIGHT SWITCH	1	
F1-41	003-060015-00	SCREW CROSS, M6X15	31	
F1-42	003-480015-02	SCREW CROSS, ST4.8X15	33	
F1-43	9.220.006	SELF-LOCK NUT M6	34	
F1-44	003-040010-00	SCREW CROSS, M4X10	10	
F1-45	9.220.004	NUT, M4	10	
F1-46	003-040025-00	SCREW CROSS, M4X25	1	
F1-47	003-000000-03	SCREW, ANCHOR	78	
F1-48	003-060010-00	SCREW CROSS, M6X10	4	
F1-49	9.108.016	FLANGE BOLT, M8X1.25X15	1	
F1-50	15-1809-00	LATCH	1	
F1-51	9.106.035	FLANGE BOLT, M6X35	2	
F1-52	15-0310-00	12 V POWER OUTLET	1	
		COVER, 12V POWER OUTLET	1	

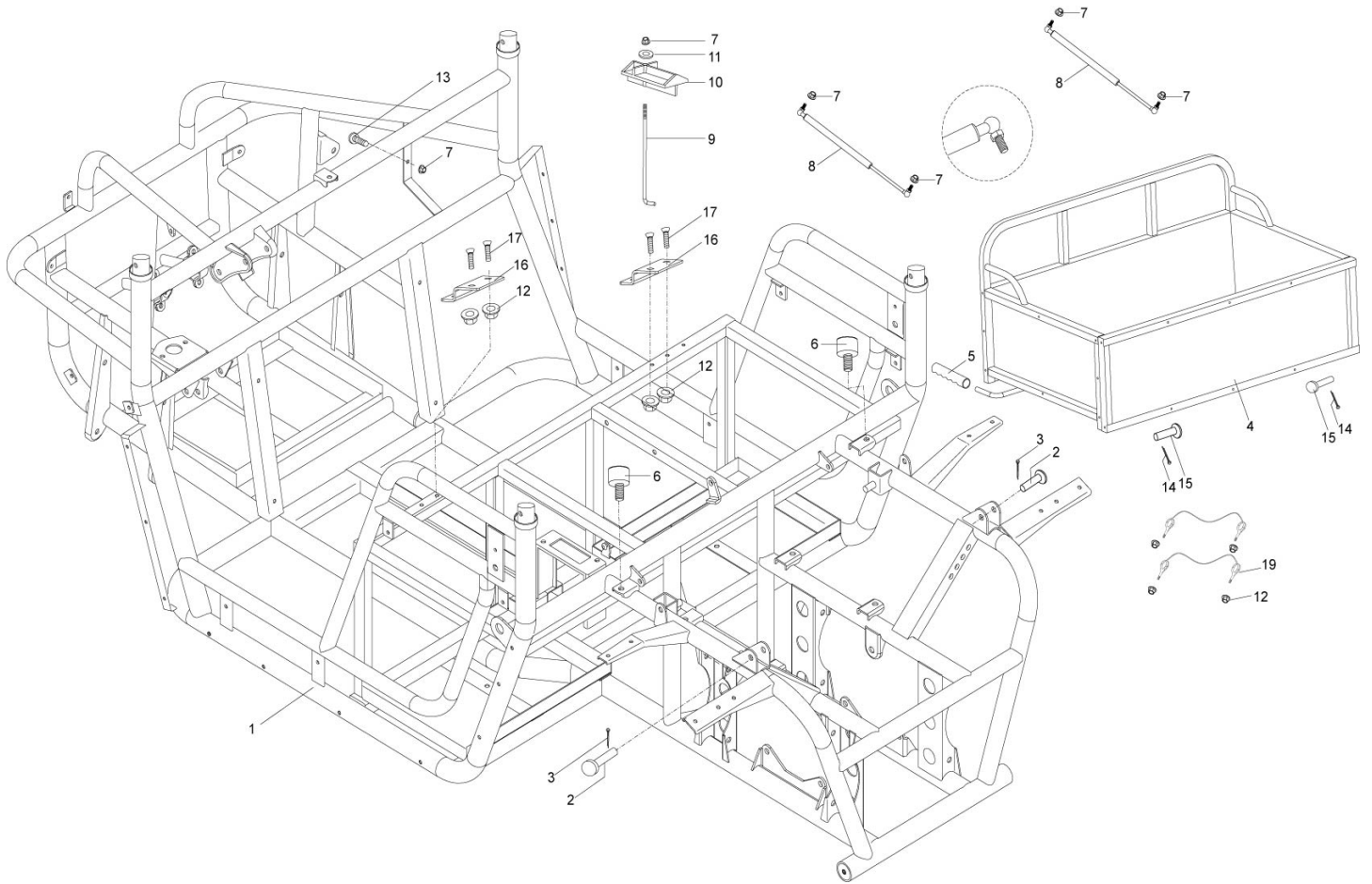
FIGURE 2. BRUSHGUARD



REF#	HH PART#	DESCRIPTION	PCS	PRICE(\$)
F2-1	15-0101-00	FRONT BRUSH GUARD (LEFT TO RIGHT)	1	
F2-2	15-0104-00	REAR BRUSH GUARD (LEFT TO RIGHT)	1	
F2-3	15-0102-00	TOP BRUSH GUARD	2	
F2-4	15-0105-00	SPEAKER MOUNTING BAR	1	
F2-5	6.000.084	INNER MIRROR	1	
F2-6	15-1801-00	RR. VIEW MIRROR (PAIR)	1	
F2-7	15-1804-00	FIXING BASE, RR. VIEW MIRROR (PAIR)	1	
F2-8	15-0402-00	BACK, SEAT	1	
F2-9	007-8P5-00	WASHER, SPHERICAL Ø8.5	10	
F2-10	9.108.060	FLANGE BOLT, M8X1.25X60	4	
F2-11	9.300.008	WASHER, Ø8	8	
F2-12	9.400.008	SPRING WASHER, Ø8	10	
F2-13	009-081250-00	ACORN NUT, M8X1.25	4	

REF#	HH PART#	DESCRIPTION	PCS	PRICE(\$)
F2-14	9.220.016	HEXAGON BOLT, M6X20	4	
F2-15	009-060000-00	ACORN NUT, M6	2	
F2-16	007-7-00	WASHER, SPHERICAL Ø7	4	
F2-17	9.600.655	SCREW CROSS, M6X55	4	
F2-18	9.110.055	HEX BOLT, M10X1.25X55	4	
F2-19	007-10P5-00	WASHER, SPHERICAL Ø10.5	4	
F2-20	9.400.010	SPRING WASHER, Ø10	4	
F2-21	9.108.060	FLANGE BOLT, M8X1.25X60	2	
F2-22	9.600.700	SCREW CROSS, M6X70	4	
F2-23	9.108.030	FLANGE BOLT, M8X1.25X30	4	
F2-24	003-050015-00	SCREW CROSS, M5X15	2	
F2-25	15-1802-00	SPEAKERS	2	

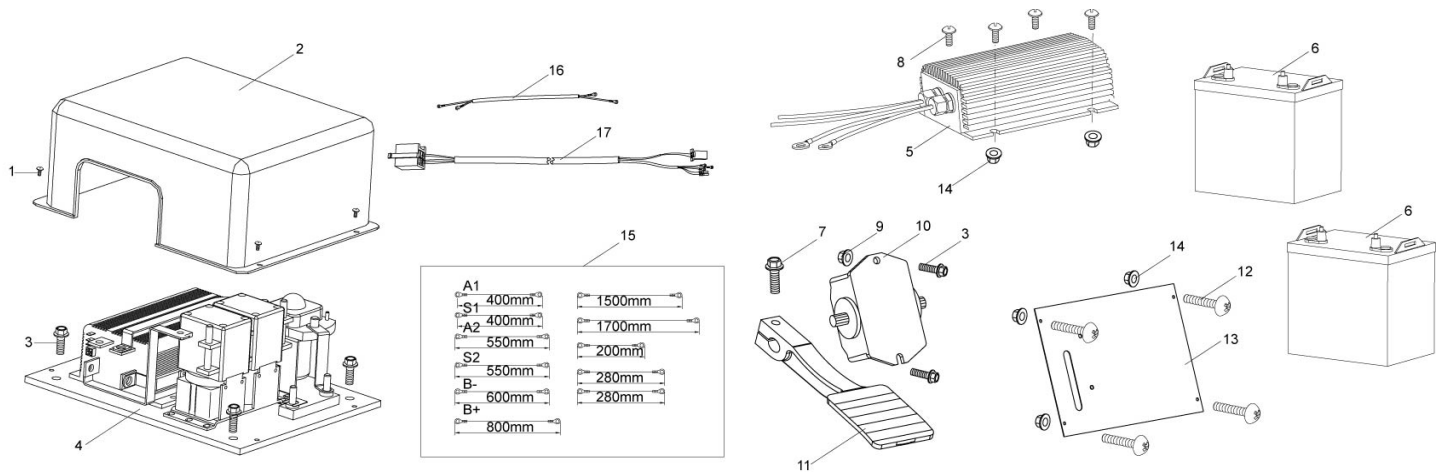
FIGURE 3. MAIN FRAME



REF#	HH PART#	DESCRIPTION	PCS	PRICE(\$)
F3-1	15-0608-00	VEHICLE FRAME	1	
F3-2	020-12X50-00	SHAFT PIN, Ø12X50	2	
F3-3	9.500.325	COTTER PIN	2	
F3-4	15-0609-00	DUMP BED	1	
F3-5	15-0501-00	RUBBER HANDLE GRIP, DUMP BED	2	
F3-6	15-0507-00	RUBBER COLLAR, DUMP BED	2	
F3-7	9.220.008	SELF-LOCK NUT M8X1.25	4	
F3-8	15-1803-00	ACTUATOR	2	
F3-9	15-1807-00	ROD, BATTERY HOLDER	3	

REF#	HH PART#	DESCRIPTION	PCS	PRICE(\$)
F3-10	15-0231-00	FIXING PLATE, BATTERY HOLDER	3	
F3-11	9.300.008	WASHER, Ø8	3	
F3-12	9.220.006	SELF-LOCK NUT M6	8	
F3-13	9.600.016	BOLT, CROSSING M6X15	1	
F3-14	9.500.225	COTTER PIN	2	
F3-15	15-0622-00	SHAFT PIN, DUMP BED	2	
F3-16		LOWER HINGE, FR. SEAT	2	
F3-17	013-060040-00	COUNTERSUNK BOLT, CROSSING M6X40	4	

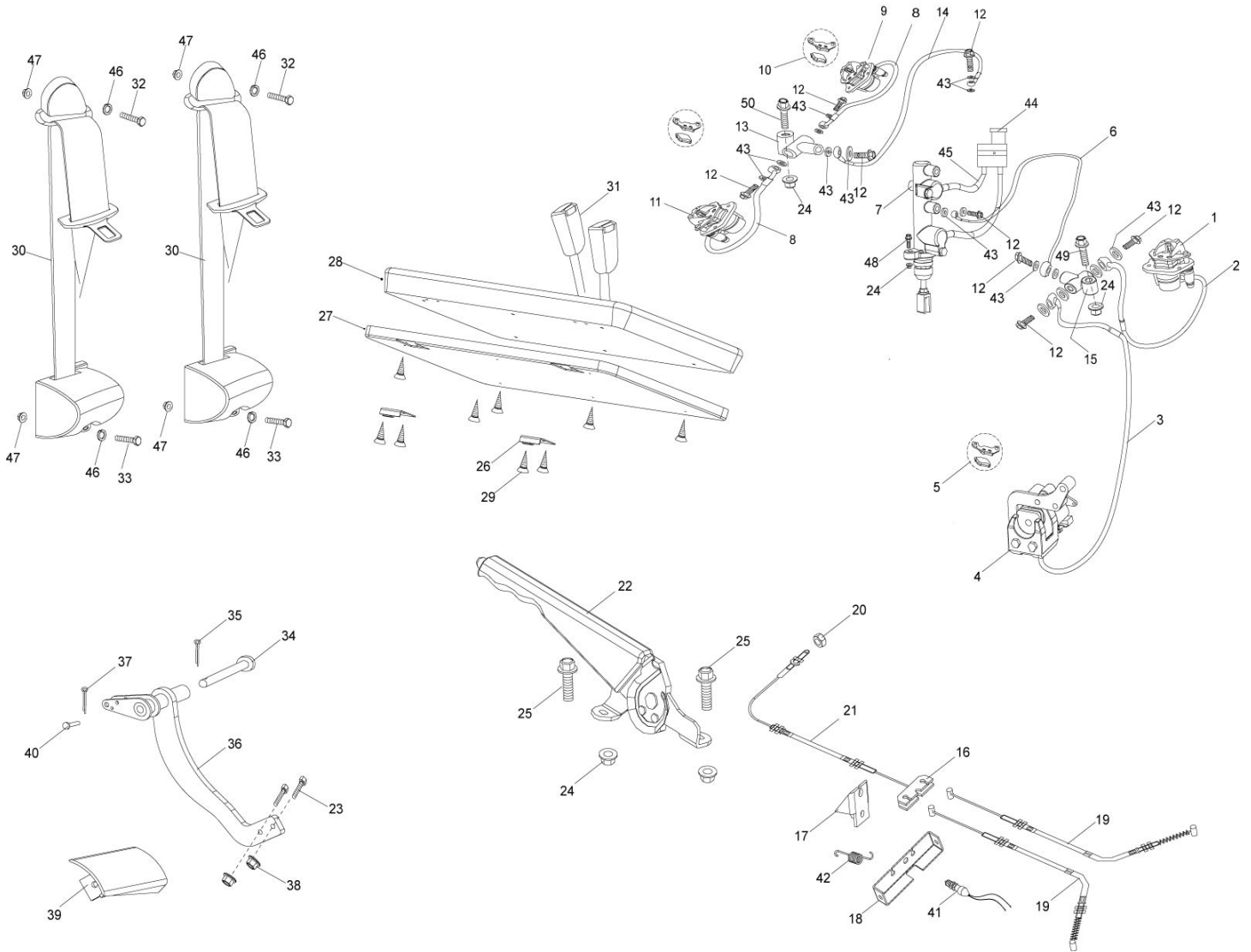
FIGURE 4. ELECTRICAL/WIRING/BATTERY



REF#	HH PART#	DESCRIPTION	PCS	PRICE(\$)
F4-1	9.600.010	SCREW CROSS, M6X10	4	
F4-2	15-0228-00	COVER, CONTROLLER	1	
F4-3	9.108.025	FLANGE BOLT,	6	
F4-4	15-0311-00	CONTROLLER	1	
F4-5	15-0312-00	DC CONVERTOR	1	
F4-6	15-0313-00	BATTERY, TROJAN 12V	6	
F4-7	9.106.025	FLANGE BOLT,	1	
F4-8	9.600.010	SCREW CROSS, M6X10	4	
F4-9	9.220.008	SELF-LOCK NUT M8X1.25	2	

REF#	HH PART#	DESCRIPTION	PCS	PRICE(\$)
F4-10	15-0314-00	ACCELERATOR	1	
F4-11	15-0610-00	THROTTLE PADEL	1	
F4-12	011-060045-00	BOLT, CROSSING M6X45	4	
F4-13	15-0611-00	PLATE, ACCELERATOR	1	
F4-14	9.220.060	SELF-LOCK NUT M6	8	
F4-15	15-0315-00	BATTERIES WIRE BUNDLE	11	
F4-16	15-0316-00	SECOND WIRING HARNESS	2	
F4-17	15-0303-00	MAIN WIRING HARNESS	1	

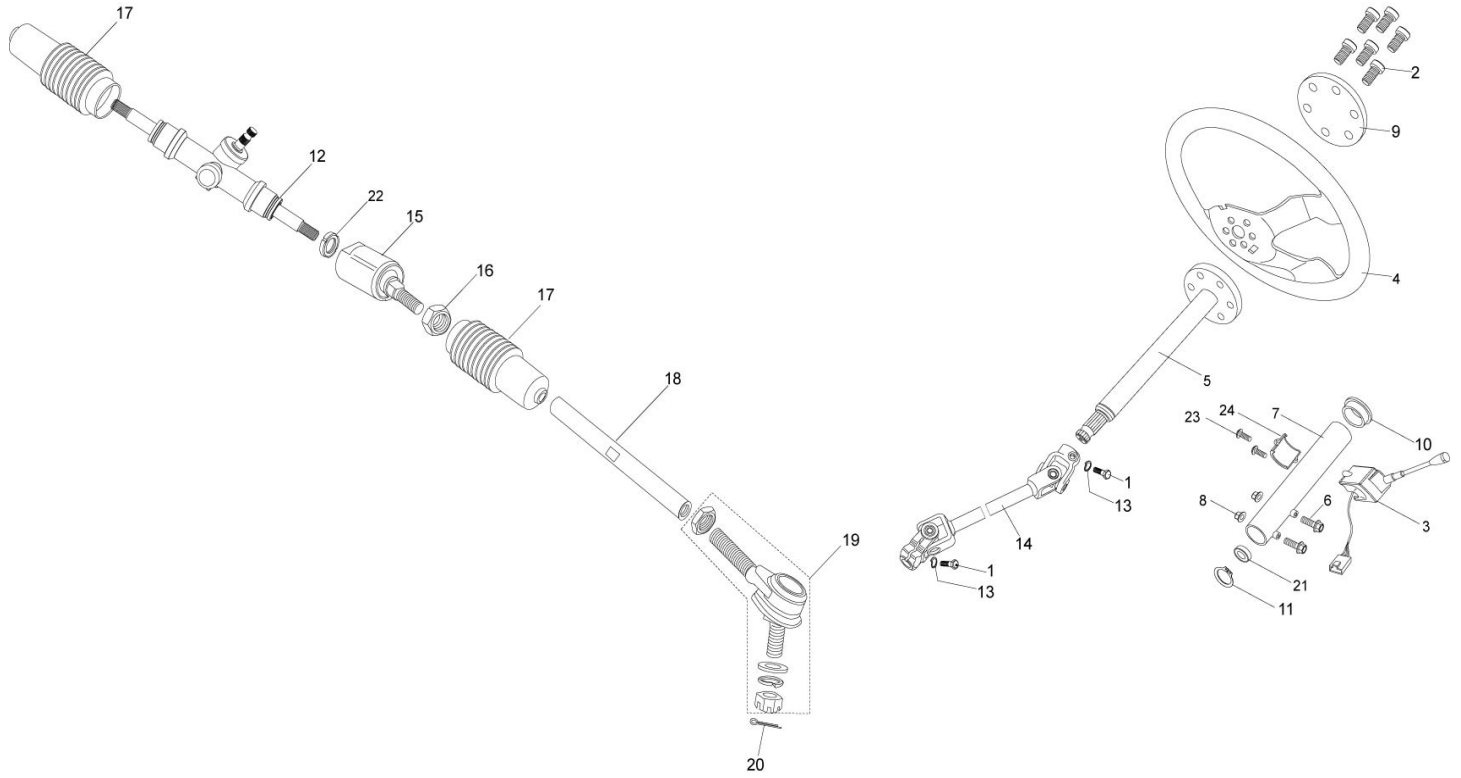
FIGURE 5. SEATBELT/THROTTLE/BRAKE



REF#	HH PART#	DESCRIPTION	PCS	PRICE(\$)
F5-1	15-1402-00R	RR. BRAKE CALIPER RH	1	
F5-2	15-1404-00R	RR. BRAKE LINE, RH	1	
F5-3	15-1404-00L	RR. BRAKE LINE, LH	1	
F5-4	15-1402-00L	RR. BRAKE CALIPER LH	1	
F5-5	15-1406-00	REAR BRAKE PAD SET	2	
F5-6	15-1408-00	RR. MAIN OIL LINE	1	
F5-7	15-1409-00	MASTER CYLINDER	1	
F5-8	15-1403-00	FR. BRAKE LINE	1	
F5-9	15-1401-00R	FR. BRAKE CALIPER RH	1	
F5-10	15-1405-00	FRONT BRAKE PAD SET	2	
F5-11	15-1401-00L	FR. BRAKE CALIPER, LH	1	
F5-12	9.108.035	BOLT, M8X1.25X35	6	
		T-SHAPE PIPE, FR.	1	
F5-14	15-1407-00	FR. MAIN OIL LINE	1	
		T-SHAPE PIPE, RR.	1	
F5-16	15-1415-00	CONNECTER, HAND BRAKE	1	
F5-17	15-1418-00	HANGER, HAND BRAKE MAIN WIRE	1	
F5-18	15-1419-00	HANGER, HAND BRAKE SECOND WIRE	1	
F5-19	15-0703-00	SECOND WIRE, HAND BRAKE	2	
F5-20	9.220.006	HEX NUT, M6	1	
F5-21	15-0702-00	MAIN WIRE, HAND BRAKE	1	
F5-22	15-1412-00	LEVER, HAND BRAKE	1	
F5-23	9.106.016	HEX BOLT, M6X15	2	
F5-24	9.220.008	SELF-LOCK NUT, M8X1.25	6	
F5-25	9.108.020	FLANGE BOLT,	2	

REF#	HH PART#	DESCRIPTION	PCS	PRICE(\$)
F5-26	15-0408-00	UPPER HINGE, FR. SEAT	2	
F5-27	15-0229-00	SEAT TUB COVER	1	
F5-28	15-0401-00	SEAT CUSHION	1	
F5-29	014-480015-00	COUNTERSUNK SCREW, CROSSING ST4.8X15	12	
F5-30	15-0403-00	SEAT BELT	2	
F5-31	15-0406-00	BUCKLE, FR. SEATBELT	2	
F5-32	9.110.020	BOLT, M10X1.25X20	2	
F5-33	9.110.025	BOLT, M10X1.25X25	2	
F5-34	020-10X100-00	SHAFT PIN, Ø10X100	1	
F5-35	9.500.235	COTTER PIN, Ø2.5X35	1	
F5-36	15-1414-00	BRAKE ARM	1	
F5-37	9.500.220	COTTER PIN	1	
F5-38	9.220.006	SELF-LOCK NUT M6	2	
F5-39	15-1413-00	BRAKE PEDAL	1	
F5-40	020-8X35-00	SHAFT PIN, Ø8X35	1	
F5-41	15-1420-00	MANUAL BRAKE SWITCH	1	
F5-42	15-1421-00	RETURN SPRING, MANUAL BRAKE SWITCH	1	
		WASHER, FUEL PIPE	16	
F5-44	15-1416-00	FLUID RESERVOIR	1	
F5-45	15-1417-00	FUEL PIPE	2	
F5-46	9.400.010	SPRING WASHER	4	
F5-47	9.220.010	NUT, M10	4	
F5-48	9.108.030	FLANGE BOLT, M8X1.25X30	2	
F5-49	9.108.045	FLANGE BOLT, M8X1.25X35	1	
F5-50	9.108.035	FLANGE BOLT, M8X1.25X45	1	

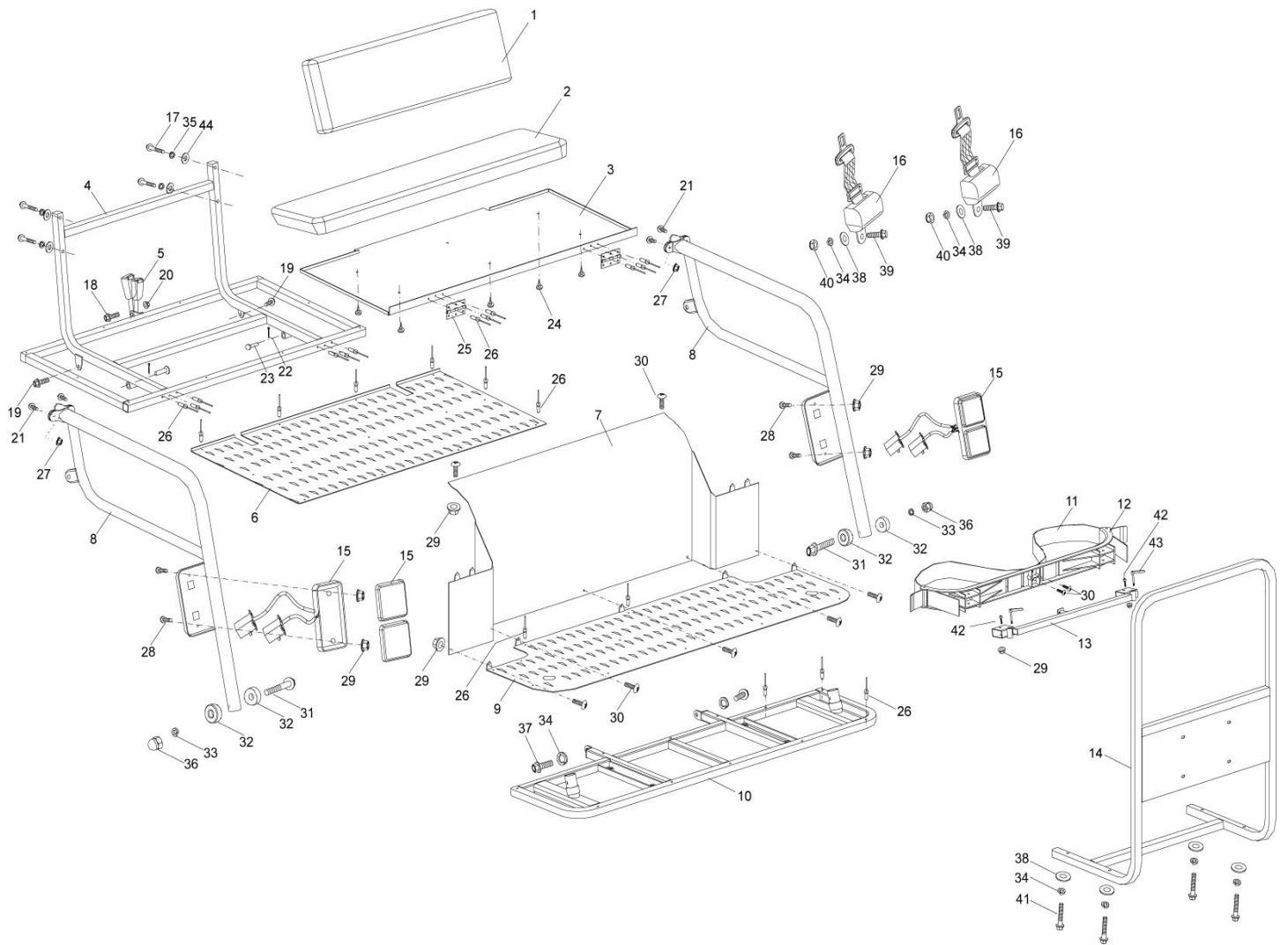
FIGURE 6. STEERING



REF#	HH PART#	DESCRIPTION	PCS	PRICE(\$)
F6-1	9.108.025	BOLT, M8X30	2	
F6-2	9.106.016	BOLT, M6X15	6	
F6-3	15-0317-00	TURN SIGNAL SWITCH	1	
F6-4	15-1003-00	STEERING WHEEL	1	
F6-5	15-1004-00	STEERING COLUMN	1	
F6-6	9.110.075	FLANGE BOLT, M10X1.25X75	2	
F6-7	15-1005-00	STEERING POST	1	
F6-8	9.220.010	SELF-LOCK NUT, M10X1.25	2	
F6-9	15-0213-00	COVER, STEERING WHEEL	1	
F6-10	15-1011-00	STEERING AXLE CAP	1	
F6-11	016-190000-00	C-Clip Radius 19	1	
F6-12	15-1006-00	RACK AND PINION ASSY.	1	

REF#	HH PART#	DESCRIPTION	PCS	PRICE(\$)
F6-13	9.400.008	SPRING WASHER Ø8	2	
F6-14	15-1007-00	STEERING UNIVERSAL JOINT	1	
F6-15	15-1008-00	TIE ROD END	2	
F6-16	9.220.012	NUT, M12X1.25	2	
F6-17	15-0504-00	BOOT	2	
F6-18	15-1009-00	TIE ROD	2	
F6-19	15-1010-00	BALL JOINT ASSY.	2	
F6-20	9.500.235	COTTER PIN 2.5X35	2	
F6-21	010-61904	BEARING 61904	1	
F6-22	9.900.016	ROUND NUT	2	
F6-23	9.600.016	SCREW CROSS, M6X15	2	
F6-24	15-1805-00	FIXING COVER, TURN SIGNAL STALK	1	

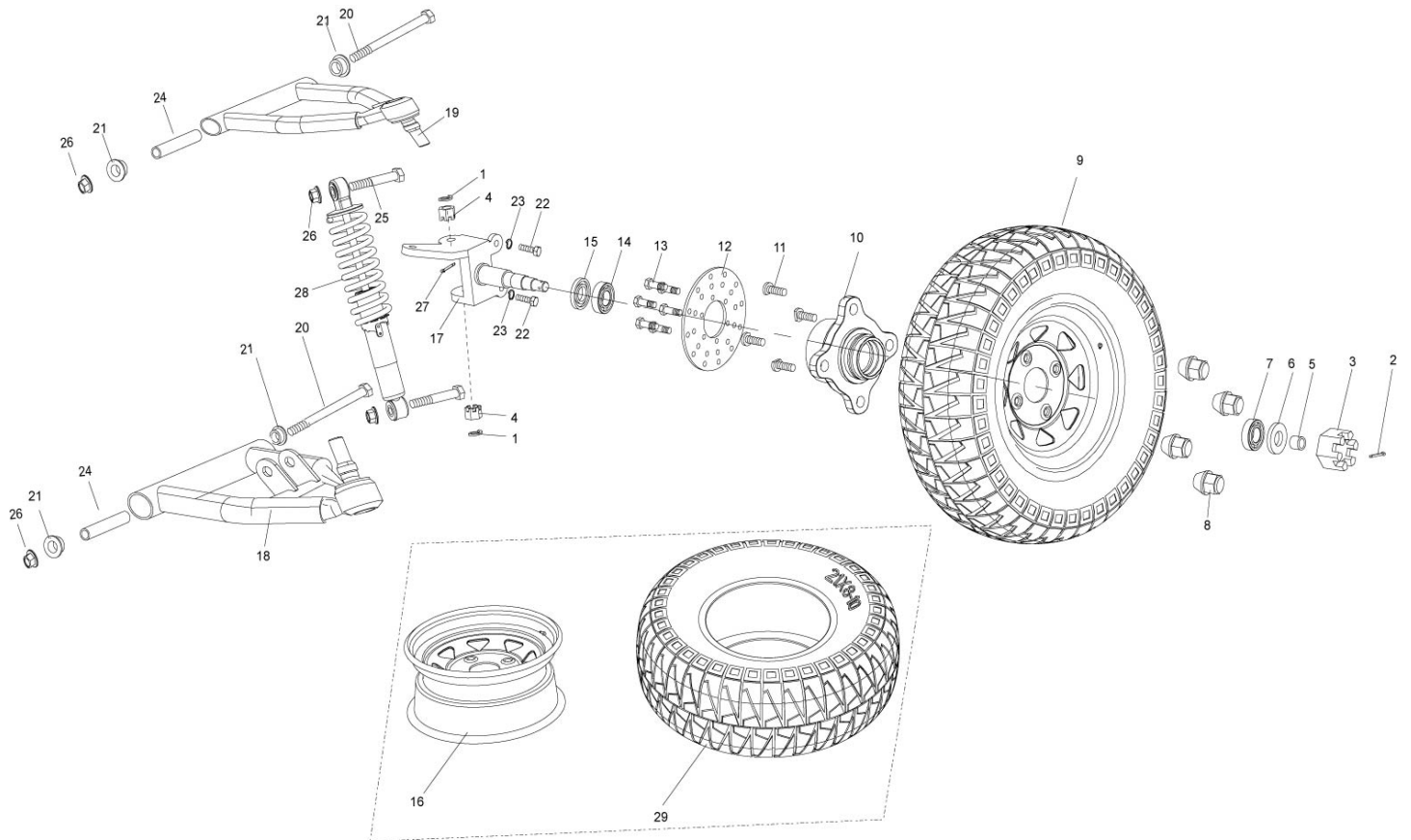
FIGURE 7. RR. SEAT



REF#	HH PART#	DESCRIPTION	PCS	PRICE(\$)
F7-1	15-0404-00	BACK CUSHION, RR. SEAT	1	
F7-2	15-0405-00	CUSHION, RR. SEAT	1	
F7-3	15-0612-00	FIXING PLATE, RR. SEAT	1	
F7-4	15-0613-00	FRAME, RR. SEAT	1	
F7-5	15-0406-00	BUCKLE, SEATBELT, RR. SEAT	1	
F7-6	15-0614-00	ALUMINIUM PLATE, RR. SEAT	1	
F7-7	15-0615-00	RR. PROTECTIVE PANEL	1	
F7-8	15-0616-00	RR. ARM REST, LH & RH. (PAIR)	1	
F7-9	15-0617-00	ALUMINIUM FOOT REST, RR. SEAT	1	
F7-10	15-0618-00	FOOT REST BRACKET, RR. SEAT	1	
F7-11	15-0203-00	STRAP, GOLF BAG	1	
F7-12	15-0619-00	BRACKET, GOLF BAG	1	
F7-13	15-0620-00	FIXING PLATE, GOLF BAG	1	
F7-14	15-0612-00	LICENSE PLATFORM	1	
F7-15	15-0226-00	LSV TAILLIGHT	2	
F7-16	15-0403-00	SEATBELT, RR. SEAT	2	
F7-17		FLANGE BOLT, M6X45	4	
F7-18	9.110.030	FLANGE BOLT, M10X1.25X30	1	
F7-19	9.108.020	FLANGE BOLT, M8X1.25X20	2	
F7-20	9.220.010	SELF-LOCK NUT, M10X1.25	2	
F7-21	9.108.030	FLANGE BOLT, M8X1.25X30	4	
F7-22	9.500.325	COTTER PIN, Ø3X25	2	

REF#	HH PART#	DESCRIPTION	PCS	PRICE(\$)
F7-23	020-12X50-00	SHAFT PIN, Ø12X50	2	
F7-24	014-480019-00	COUNTERSUNK SCREW, CORSSING	6	
F7-25	15-0407-00	HINGE, RR. SEAT	2	
		SELF-PLUGGING RIVET	47	
F7-27	9.220.008	SELF-LOCK NUT, M8X1.25	4	
F7-28	003-060020-00	SCREW CROSS, M6X20	4	
F7-29	9.220.006	SELF-LOCK NUT, M6	13	
F7-30	011-060010-00	BOLT, CROSSING M6X10	9	
F7-31	9.108.060	FLANGE BOLT, M8X1.25X60	2	
F7-32	007-08-00	WASHER, SPHERICAL	4	
F7-33	9.400.008	SPRING WASHER, Ø8	2	
F7-34	9.400.010	SPRING WASHER, Ø10	8	
F7-35	9.400.060	SPRING WASHER, Ø6	4	
F7-36	009-081250-00	ACORN NUT, M8X1.25	2	
F7-37	9.110.225	FLANGE BOLT, M10X1.25X25	2	
F7-38	9.600.010	WASHER, Ø10	4	
F7-39	9.110.625	BOLT, M10X1.25X25	2	
F7-40	9.220.010	SELF-LOCK NUT, M10	2	
F7-41	9.110.045	FLANGE BOLT, M10X1.25X45	4	
F7-42	011-060040-00	BOLT, CROSSING M6X40	2	
F7-43	15-0409-00	LOCKING PIN	2	
F7-44	9.300.006	WASHER, Ø6	4	

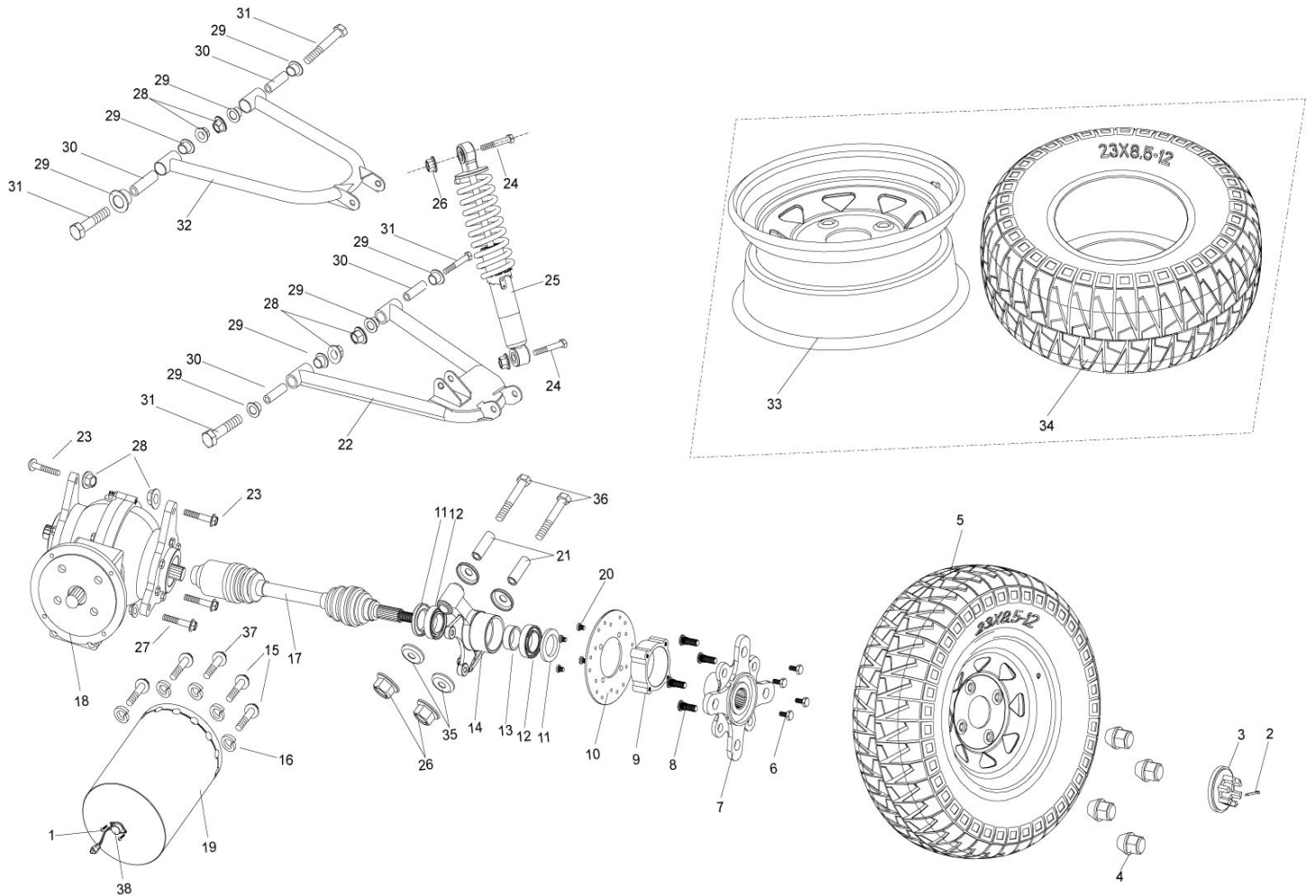
FIGURE 8. FR. WHEEL



REF#	HH PART#	DESCRIPTION	PCS	PRICE(\$)
F8-1	9.400.012	SPRING WASHER, Ø12	4	
F8-2	9.500.235	COTTER PIN	2	
F8-3	9.800.014	NUT, M14X1.5	2	
F8-4	9.800.012	NUT, M12	4	
F8-5	012-270508-00	BUSHING, BRASS 27X5X8	2	
F8-6	018-274207-00	OIL SEAL, 27X42X7	2	
F8-7	010-6203	BEARING, 6203	2	
F8-8	022-12-00	TYRE NUT, M12	8	
F8-9	15-0901-00	FR. TYRE COMP.	2	
F8-10	15-1501-00	FR. HUB	2	
F8-11	021-1212540-00	TYRE BOLT, M12X1.25X40	8	
F8-12	15-1410-00	DISC BRAKE	2	
F8-13	003-060016-00	BOLT, M6X16	12	
F8-14	9.030.002	BEARING, 6204	2	
F8-15	018-254707-00	OIL SEAL, 25X47X7	2	

REF#	HH PART#	DESCRIPTION	PCS	PRICE(\$)
F8-16	002-1001006	FRONT RIM	2	
F8-17	15-1502-00	STEERING SPINDLE (PAIR)	1	
F8-18	15-1504-00	FR. LOWER A-ARM	2	
F8-19	15-1503-00	FR. UPPER A-ARM	2	
F8-20	003-10125170-00	FLANGE BOLT, M10X1.25X170	4	
F8-21	15-1514-00	NYLON BUSHING	8	
F8-22	9.108.016	FLANGE BOLT, M8X16	4	
F8-23	9.400.008	SPRING WASHER, Ø8	4	
F8-24	15-1512-00	A-ARM BUSHING	4	
F8-25	9.110.050	FLANGE BOLT, M10X1.25X50	4	
F8-26	9.220.010	SELF-LOCK NUT, M10X1.25	4	
F8-27	9.500.235	COTTER PIN, 2.5X30	4	
F8-28	15-1505-00	FR. SHOCK	2	
F8-29	001-220810-00	FR. TYRE	2	

FIGURE 9. RR. WHEEL



REF#	HH PART#	DESCRIPTION	PCS	PRICE(\$)
F9-1	003-040015-00	SCREW CROSS, M4X15	2	
F9-2	9.500.345	COTTER PIN	2	
F9-3	9.900.018	NUT, M18X1.5	3	
F9-4	022-12-00	TYRE NUT, M12	8	
F9-5	15-0902-00	RR. TYRE COMP.	2	
F9-6	9.220.020	BOLT, M10X1.25X20	8	
F9-7	15-1506-00	RR. HUB	2	
F9-8	9.220.040	TYRE BOLT, M12X1.25X40	8	
F9-9	15-1507-00	BRACKET, RR. DISC BRAKE	2	
F9-10	15-1411-00	RR. DISC BRAKE	2	
F9-11	018-406207-00	OIL SEAL, 40X62X7	4	
F9-12	12.025.007	BEARING, 6007	4	
F9-13	012-423522-00	BUSHING, BEARING	2	
F9-14	14-1508-00	RR. SPINDLE	2	
F9-15	9.108.035	FLANGE BOLT, M8X1.25X35	4	
F9-16	9.500.008	SPRING WASHER, Ø8	5	
F9-17	15-1101-00	DRIVE SHAFT	2	
F9-18	15-1106-00	DIFFERENTIAL	1	
F9-19	15-0318-00	MOTOR	1	

REF#	HH PART#	DESCRIPTION	PCS	PRICE(\$)
F9-20	017-1012515-00	FLUSH HEXAGONHEAD BOLT, M10X1.25	4	
F9-21	012-201260-00	BUSHING, RR. SPINDLE	4	
F9-22	15-1510-00	RR. LOWER A-ARM (PAIR)	1	
F9-23	9.110.035	FLANGE BOLT, M10X1.25X35	4	
F9-24	9.110.050	FLANGE BOLT, M10X1.25X50	4	
F9-25	15-1511-00	RR. SHOCK	2	
F9-26	9.220.012	SELF-LOCK NUT, M12X1.25	4	
F9-27	9.110.040	FLANGE BOLT, M10X1.25X40	2	
F9-28	9.220.010	SELF-LOCK NUT, M10X1.25	14	
F9-29	15-1514-00	DUST COVER	16	
F9-30	15-1513-00	A-ARM BUSHING	8	
F9-31	003-1012575-00	FLANGE BOLT, M10X1.25X75	8	
F9-32	15-1509-00	RR. UPPER A-ARM (PAIR)	1	
F9-33	002-1001006	RR. RIM	2	
F9-34	001-238512-00	RR. TYRE	2	
F9-35	015-100000-00	DUST COVER	8	
F9-36	003-1212585-00	FLANGE BOLT, M12X1.25X85	4	
F9-37	9.108.045	FLANGE BOLT, M8X1.25X40	1	
F9-38	15-0319-00	SENSOR	1	