

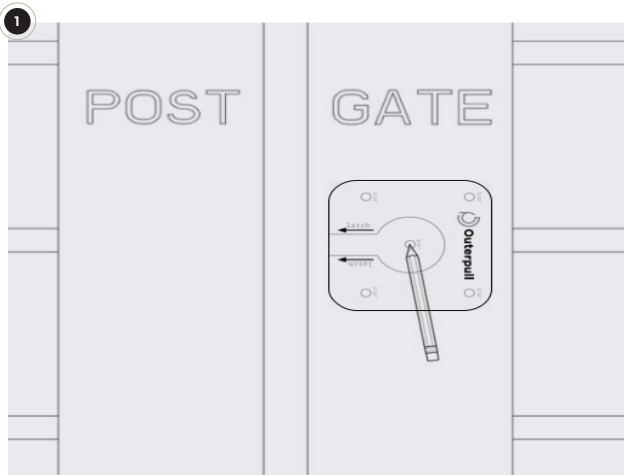
Dyno Installation Instructions



1. Grab a drink, crank some tunes. It's Dyno Latch install time!

Align the template card at the desired latch location and mark each of the 4 screw fixation points and the 3/4" through hole.

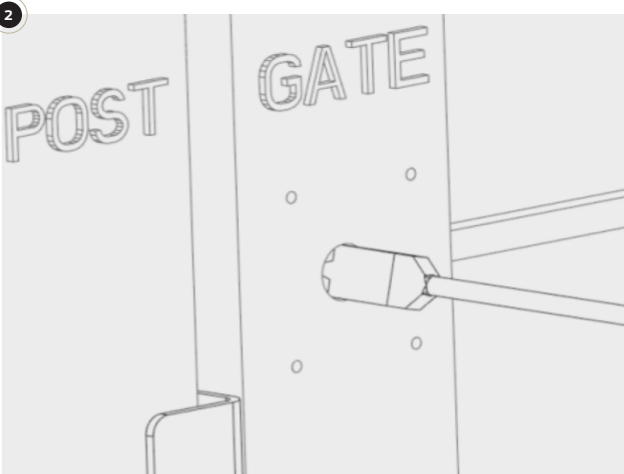
Tip: Typical door knob height is 32" - 48" from the ground.



2. Drill the Pilot Hole

Drill the 3/4" through hole. Make sure it is properly located using the template and ensure the through hole is drilled level.

Tip: A larger center hole is ok, it will be covered by the latch.



3. Cut and Insert the Rubber Cord, Hex Bar and Screws

Measure the thickness of your gate.

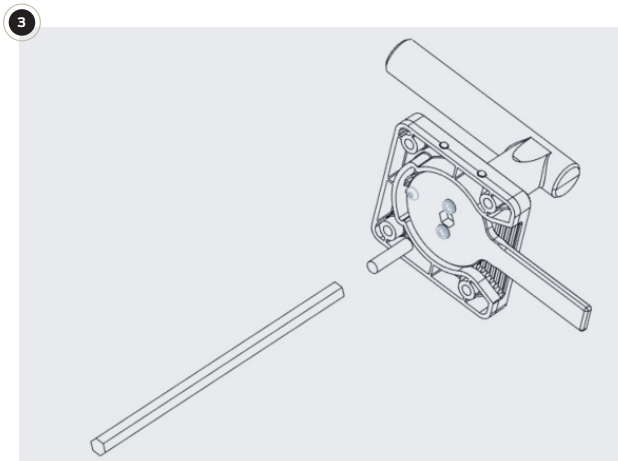
My gate is 3.5" or less → No cord needed!

My gate is greater than 3.5" → math time!

Cord length = Gate Thickness - 1.5". Cut the cord in half and insert one half into one handle and the other half into the other handle.

Insert the rubber cord (if needed) followed by the hex bar, align the latch assembly with the drilled holes and insert 4 large stainless steel screws. Final tighten by hand using a screwdriver to ensure the screws are fully seated.

Tip: Test the function of the latch. If it is not returning to neutral, the gate surface may be unlevel causing the housing to bend. If that is the case, you may need to level the surface or shim the latch.

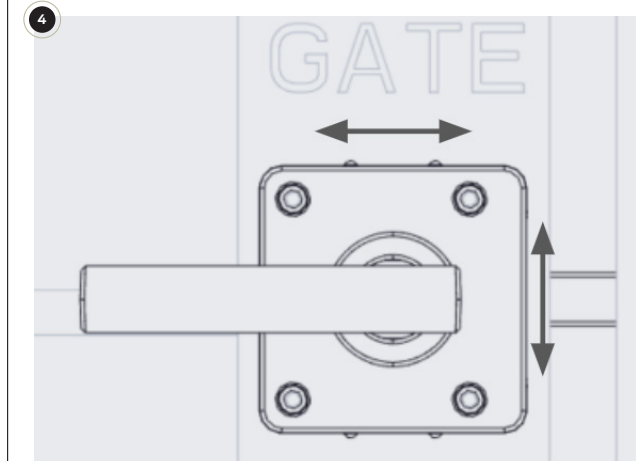


4. Install Side 2

Insert the rubber cord (if needed) and slide the 2nd latch handle assembly over the hex bar, level and insert 4 large stainless steel screws. Note the 2 key points below:

Key Point 1: If you feel resistance when sliding the handle into place, the cord may be too long. Shorten the cord to eliminate any resistance. Forcing the handles together adds friction and can reduce function.

Key Point 2: Before marking the 4 holes, note the up-and-down and side-to-side movement. Make sure you are centered. If the 2nd latch is fastened at the edge of that movement window, it can add friction and reduce function.



Needed Equipment:



Power Drill



3/4" Drill Bit



Phillip's Head Driver



Small Level

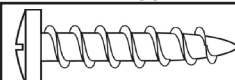


Pen/Pencil

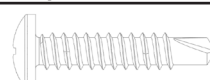


Scissors

Screws - 2 types of large screws are provided to accommodate different gate thickness, material and design:



8: 1-1/4" SS Wood/Vinyl



8: 1" SS Self-Drilling Wood/Vinyl/Metal



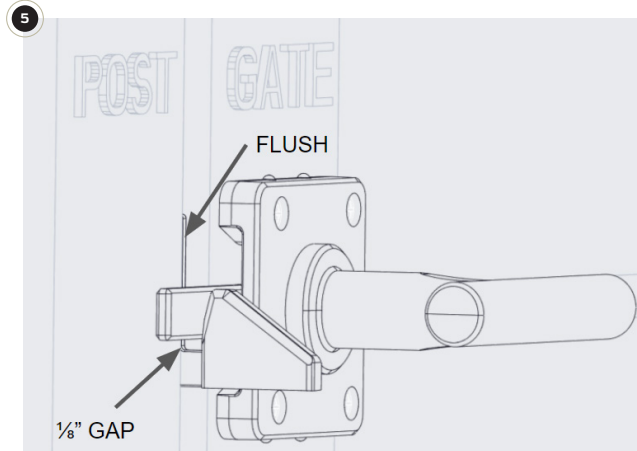
12: 1" BLACK SS Self-Drilling (Wood/Vinyl/Metal)

Dyno - Installation Instructions

5. Align the Catch - Insert the Slot Screw

The bottom of the latch should have a $\frac{1}{8}$ " gap above the bottom of the catch. The catch should be flush with the post. Make a mark at the center of the slot, move the gate and insert a black screw.

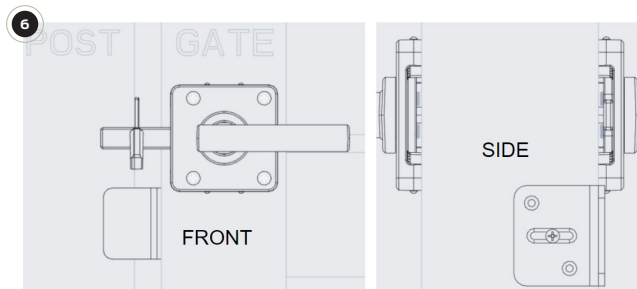
Note: Do not install the other 2 screws so that adjustments can be made later.



6. Align The Stop - Insert the Slot Screw

The stop fastens to the gate just below the latch. Align the stop so that the gate is flush with the post. Mark the center of the slot, move the gate and insert a black screw.

Note: Do not install the other 2 screws so that adjustments can be made later.

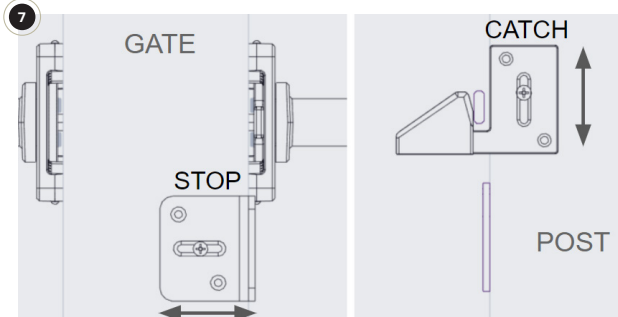


7. Fine Tune and Install the Stop and Catch

Test the gate function and adjust the stop and catch to dial in performance.

IF the gate bounces (does not catch) or rattles in the catch, adjust the stop horizontally.

IF the gate latch is sitting too high or low in the catch, adjust the catch vertically (TARGET A $\frac{1}{8}$ " GAP BETWEEN THE LATCH AND THE CATCH).

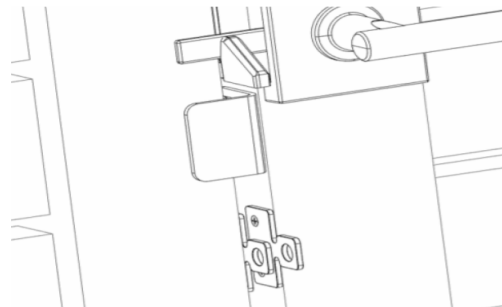


8. Snap on Covers

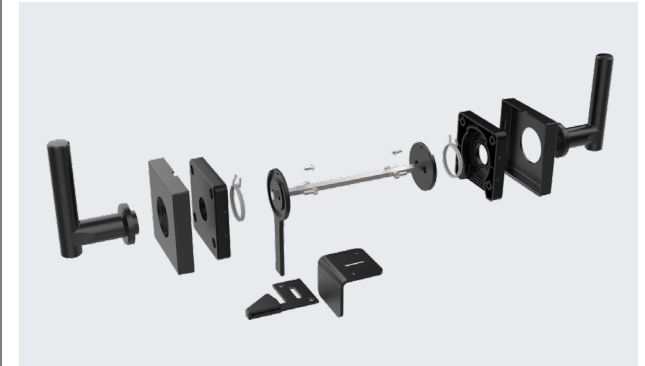
Align the cover, make sure the small removal notch is on the handle side. Level and center the cover and apply even pressure until the cover snaps into place. Repeat on the other side.

9. Locking Eyelets (Optional)

Secure one eyelet to the gate and one eyelet to the post, ensure the large center holes are aligned to accept a pad lock. Note that the eyelet tab can be bent if the gap is too large.



10. Go get your neighbors and have them check out this killer new latch you just installed, Nice Work!



Don't forget to send us an image too so we can celebrate with you (info@outerpull.com) or post it to social media #Outerpull.

We care about quality and stand by our products. If your experience was great, let us know! If it wasn't great, we want to know that as well. If you have feedback for our team or if something just isn't right please reach out to us at customerservice@outerpull.com. Thank you for supporting our passionate team, we look forward to growing and finding more ways to pull you outdoors!

Outerpull.com