

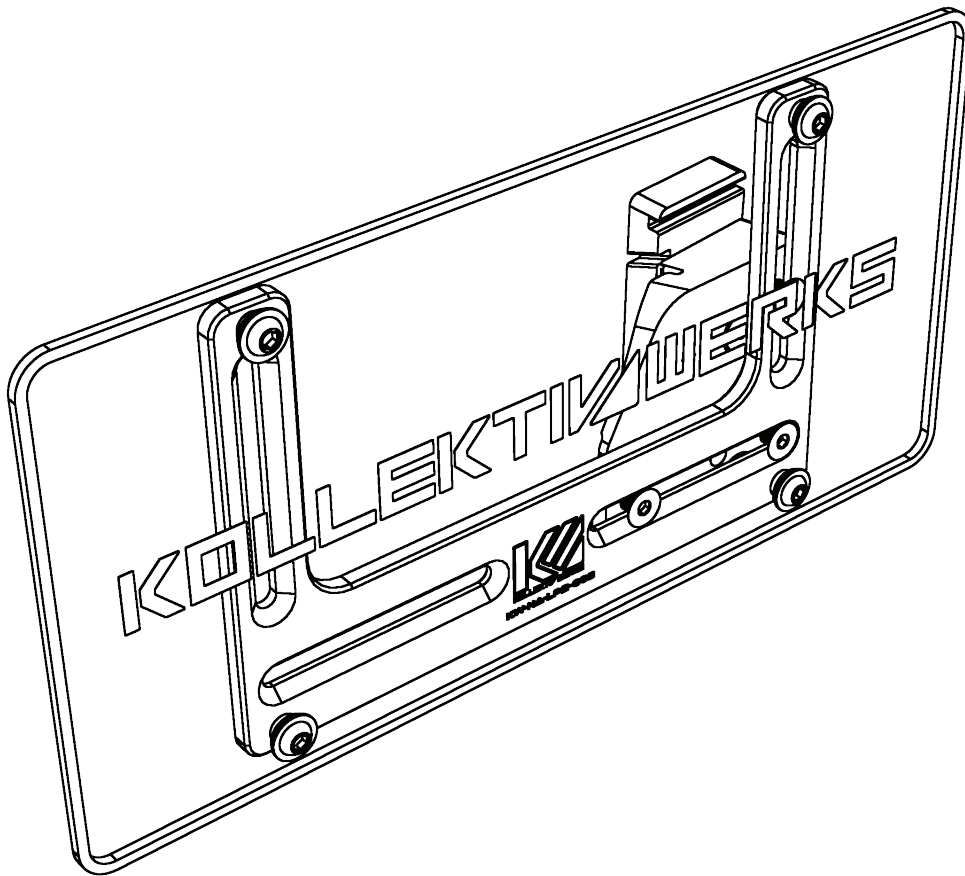


**KOLLEKTIVWERKS**  
NO DRILL CENTER MOUNT LICENCE PLATE HOLDER

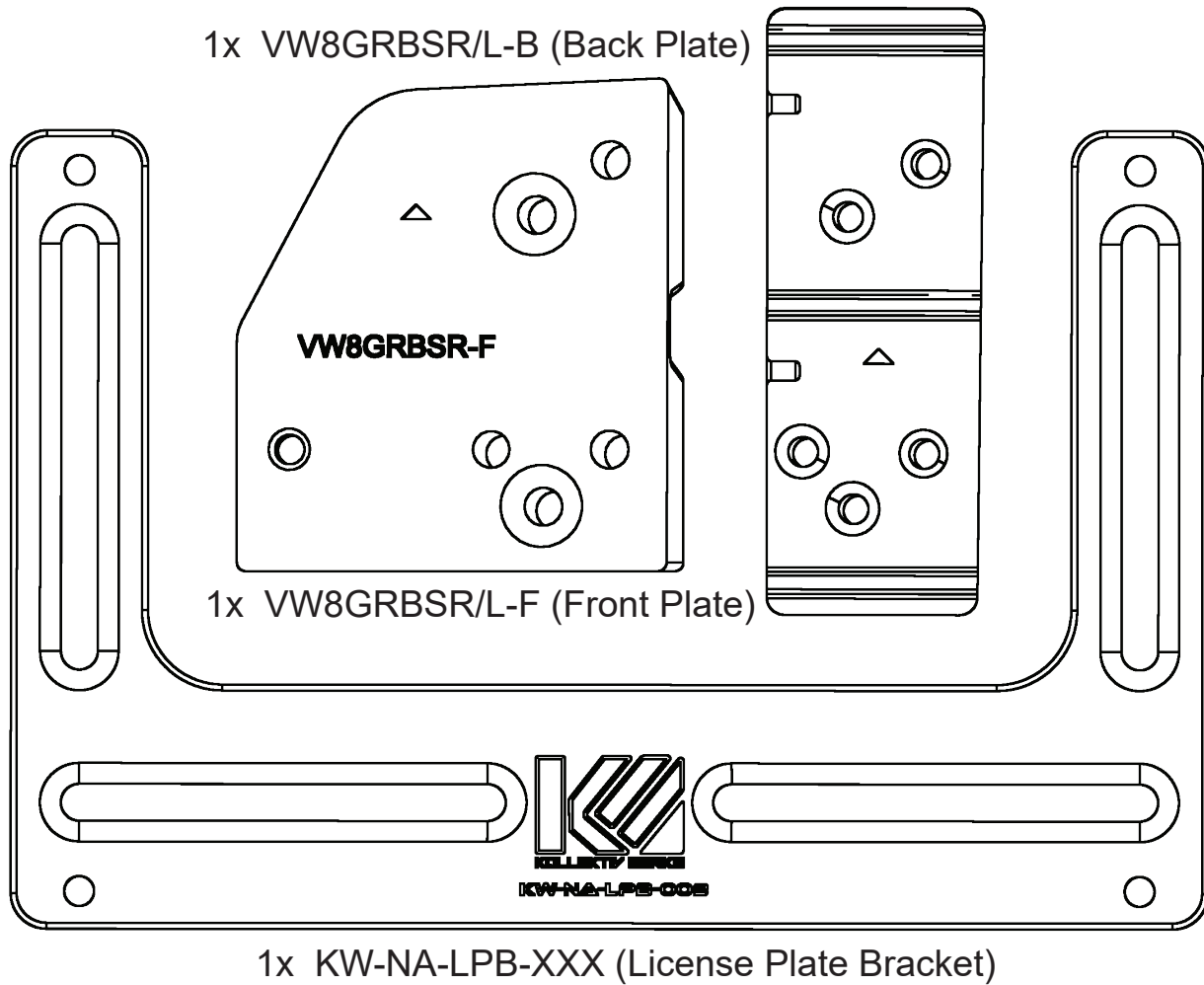
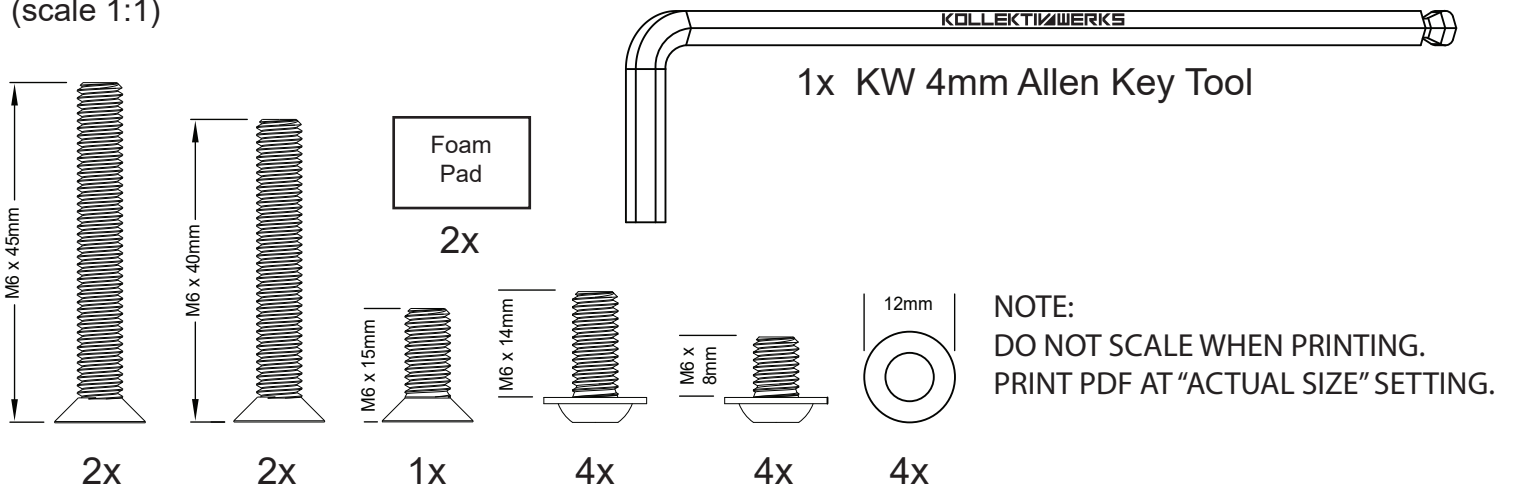
INSTALLATION GUIDE

SKU: VW8GRBSR/L

# VW MK8 GOLF R SIDE MOUNT



Bill of material:  
(scale 1:1)



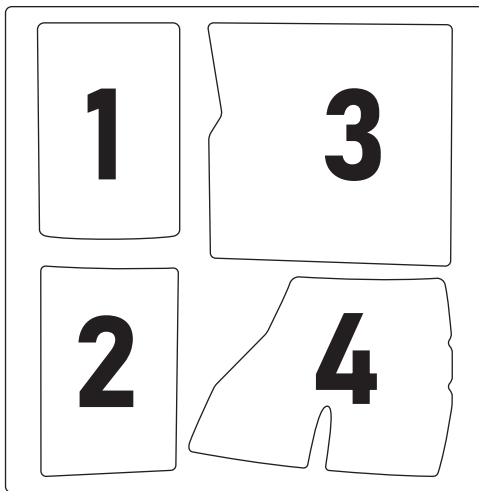
**IMPORTANT!**

This install guide shows the install for **RIGHT SIDE** mounting. **LEFT SIDE** mounting installation is the identical process on the Left Side and mirrored.

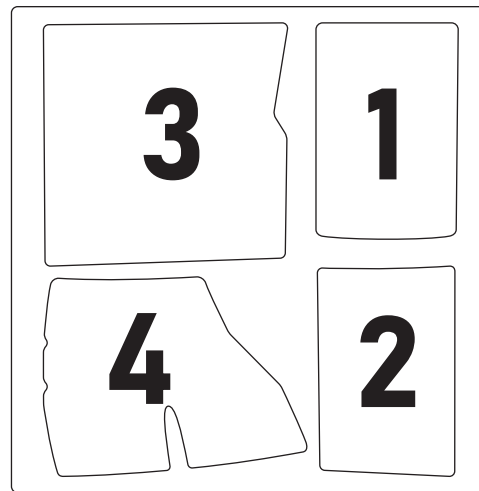
**Optional paint protection film (PPF) kit**

PPF kit to be installed as shown in the reference diagrams below.

**Rigth Side PPF Kit**

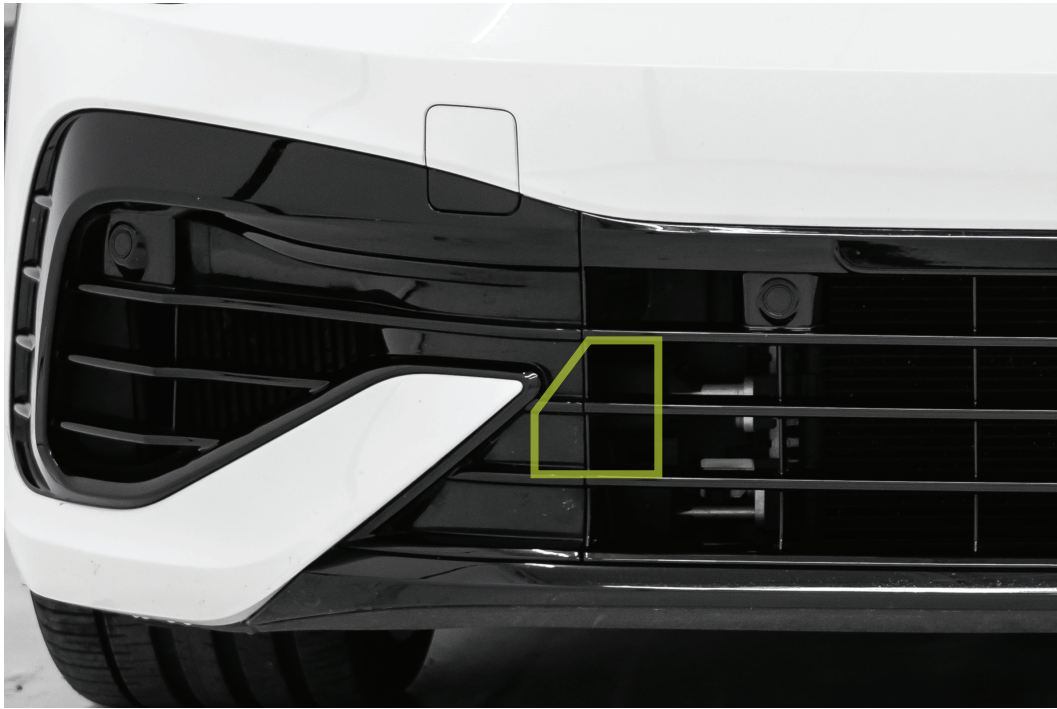


**Left Side PPF Kit**

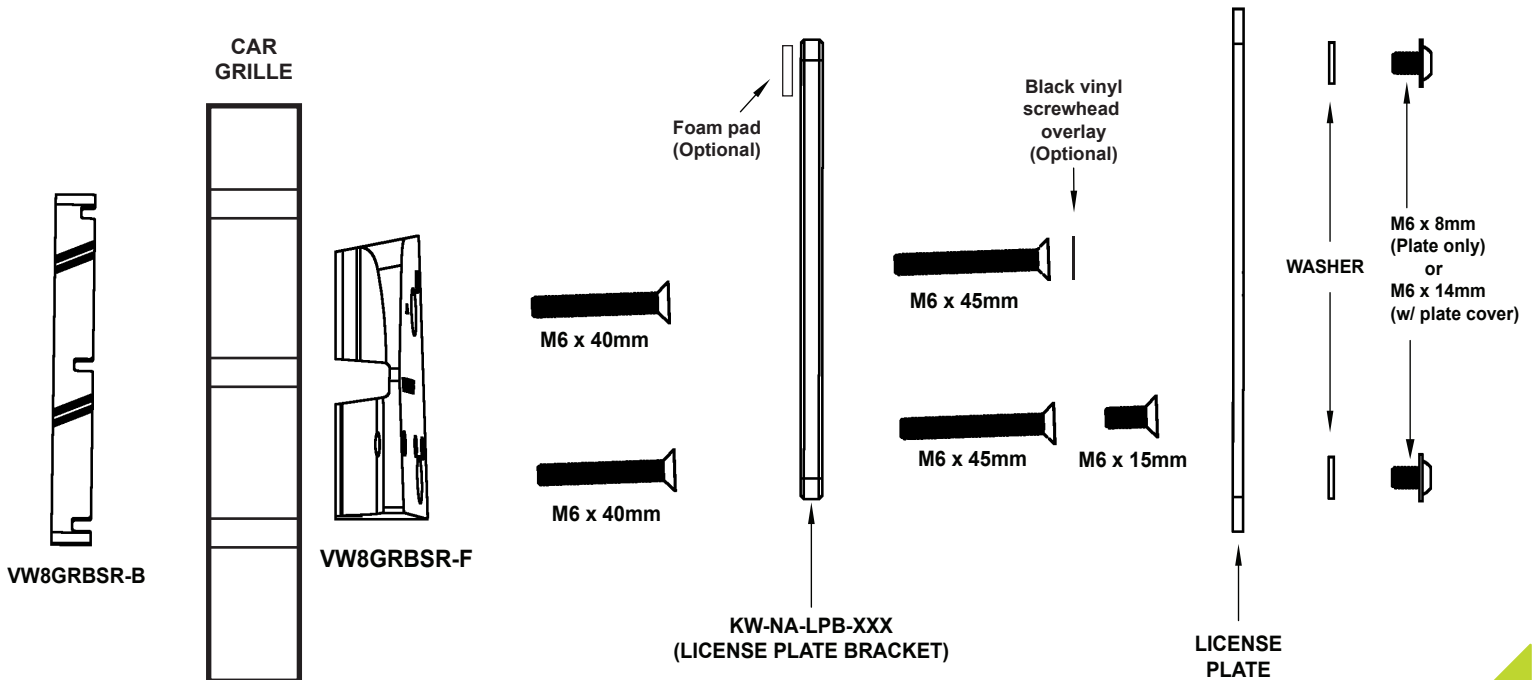


**IMPORTANT!**

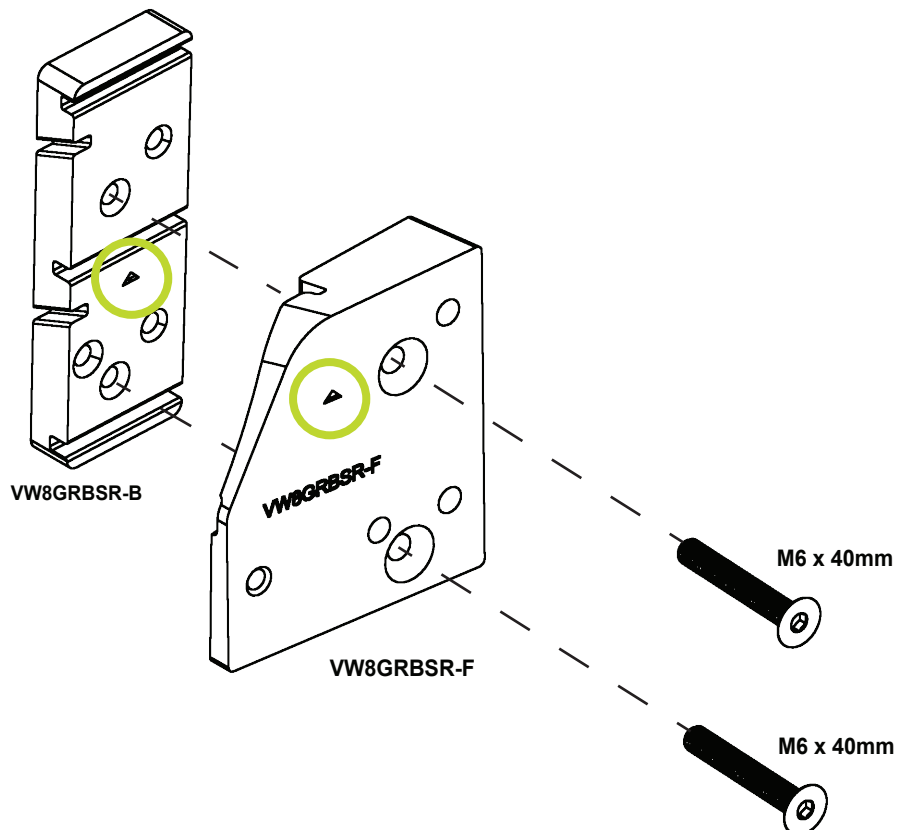
To be installed in highlighted location only!



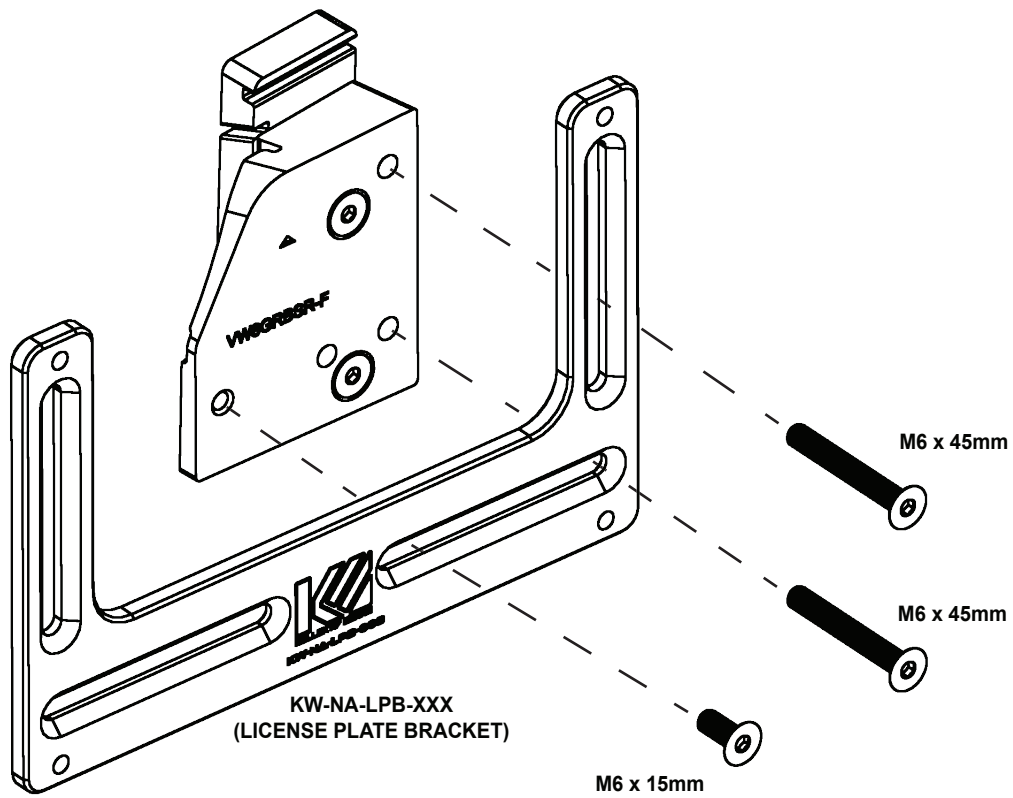
Assembly Side View:



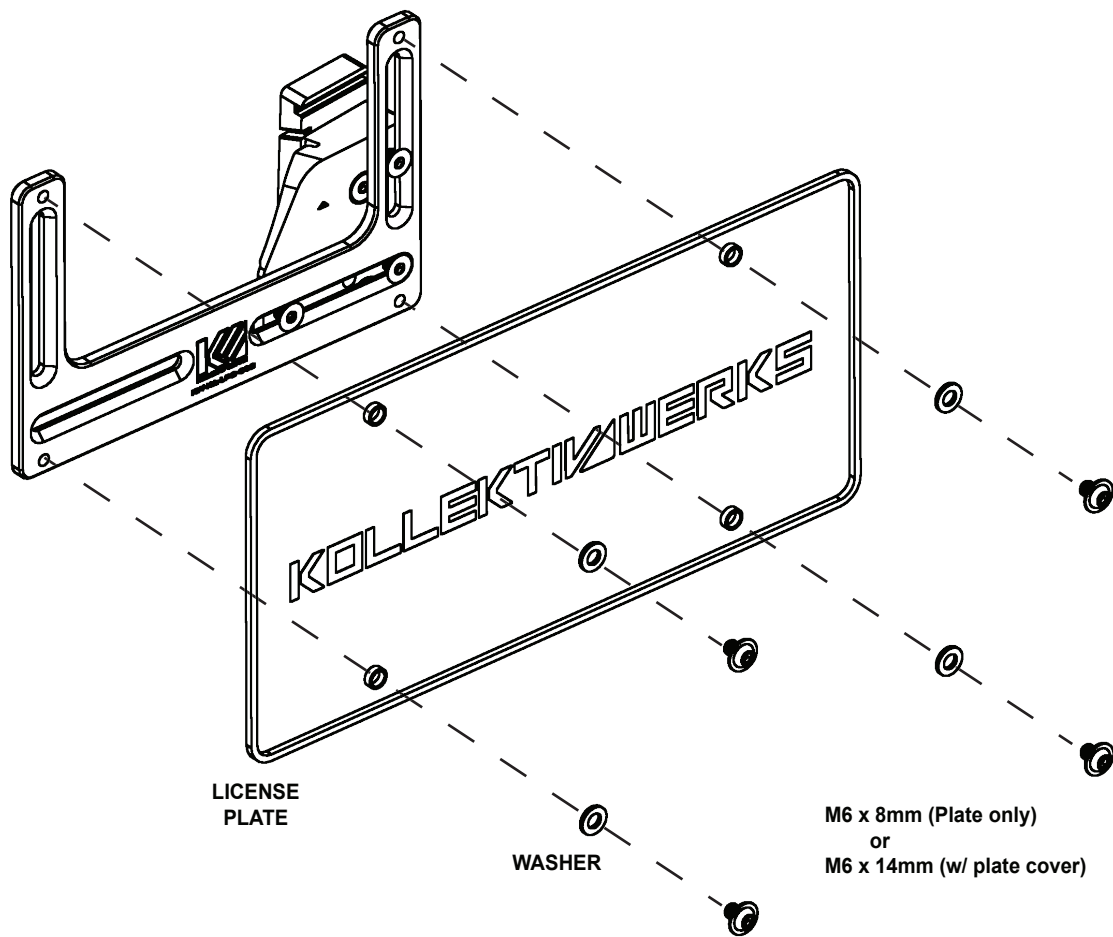
- 1 Insert back plate into the grille and bolt together with front plate. Ensure writing is upright and arrows pointing upwards. **DO NOT OVER TIGHTEN!!**



**2** Install bracket as shown and tighten.  
**DO NOT OVER TIGHTEN!!**



**3** Install license plate to license plate bracket.  
Install M6x14mm bolts with a license plate cover otherwise use M6x8mm bolts.



**4** Enjoy your new KW license plate holder!

