



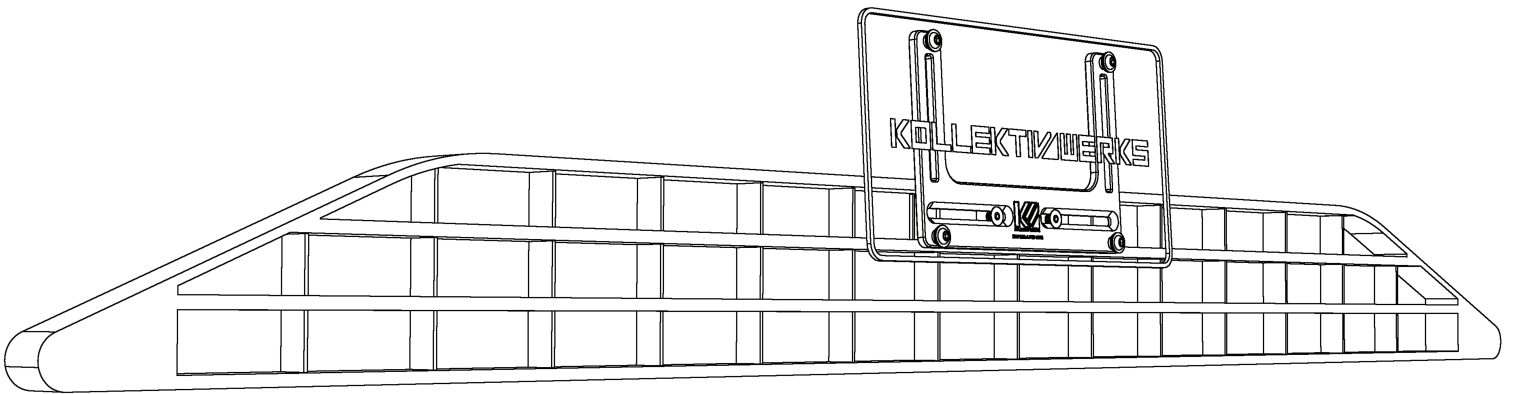
# KOLLEKTIVWERKS

NO DRILL CENTER MOUNT LICENCE PLATE HOLDER

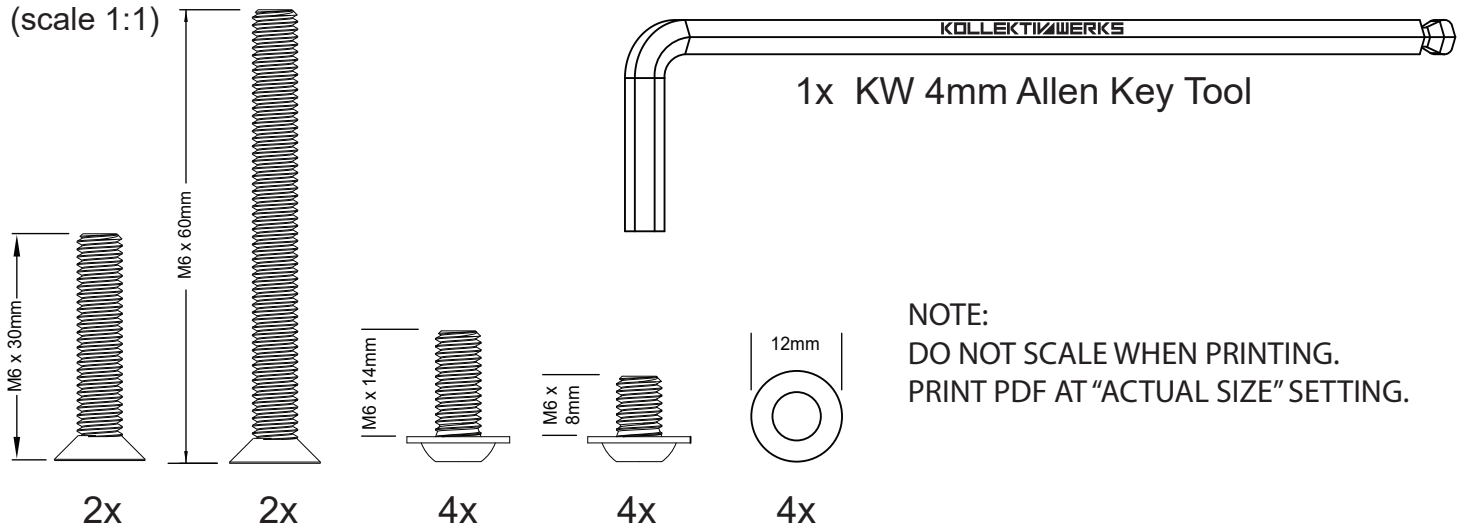
INSTALLATION GUIDE

SKU: VW7JB

## VW MK7 JETTA/R-LINE

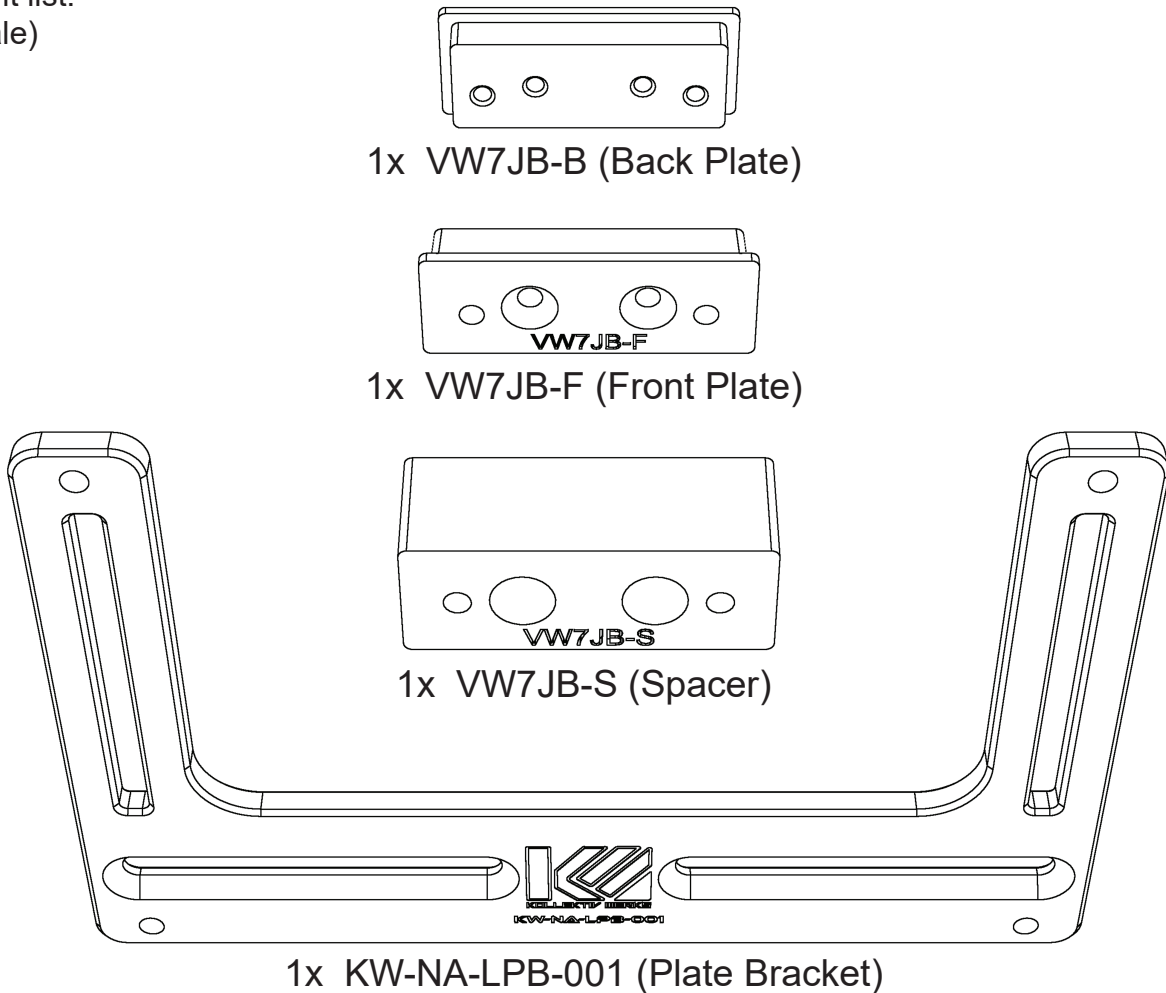


Bill of material:  
(scale 1:1)



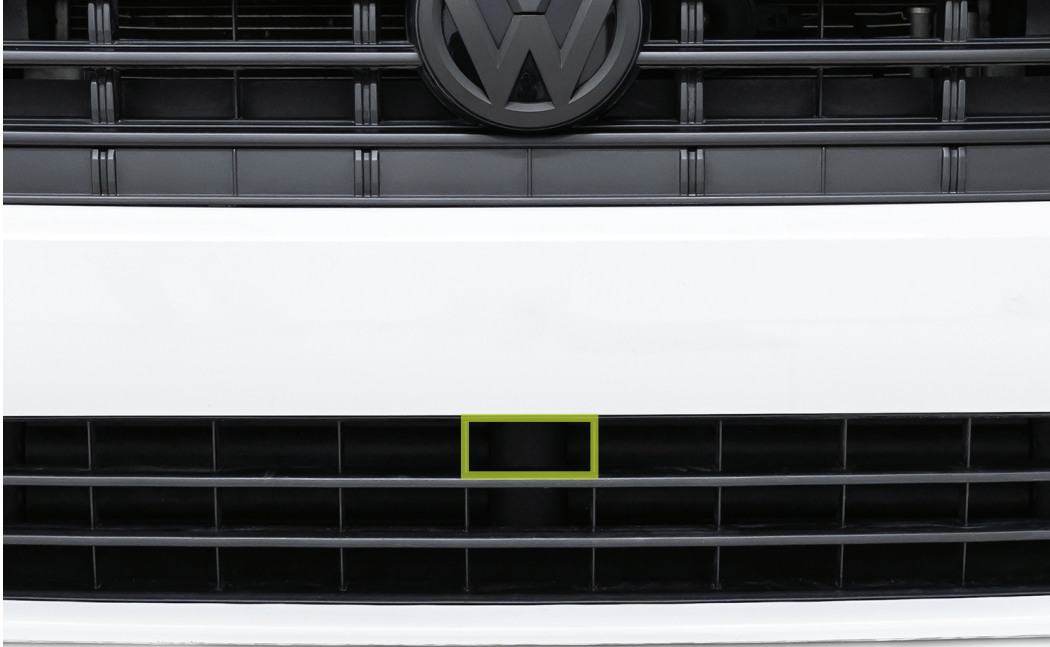
NOTE:  
DO NOT SCALE WHEN PRINTING.  
PRINT PDF AT "ACTUAL SIZE" SETTING.

Component list:  
(not to scale)

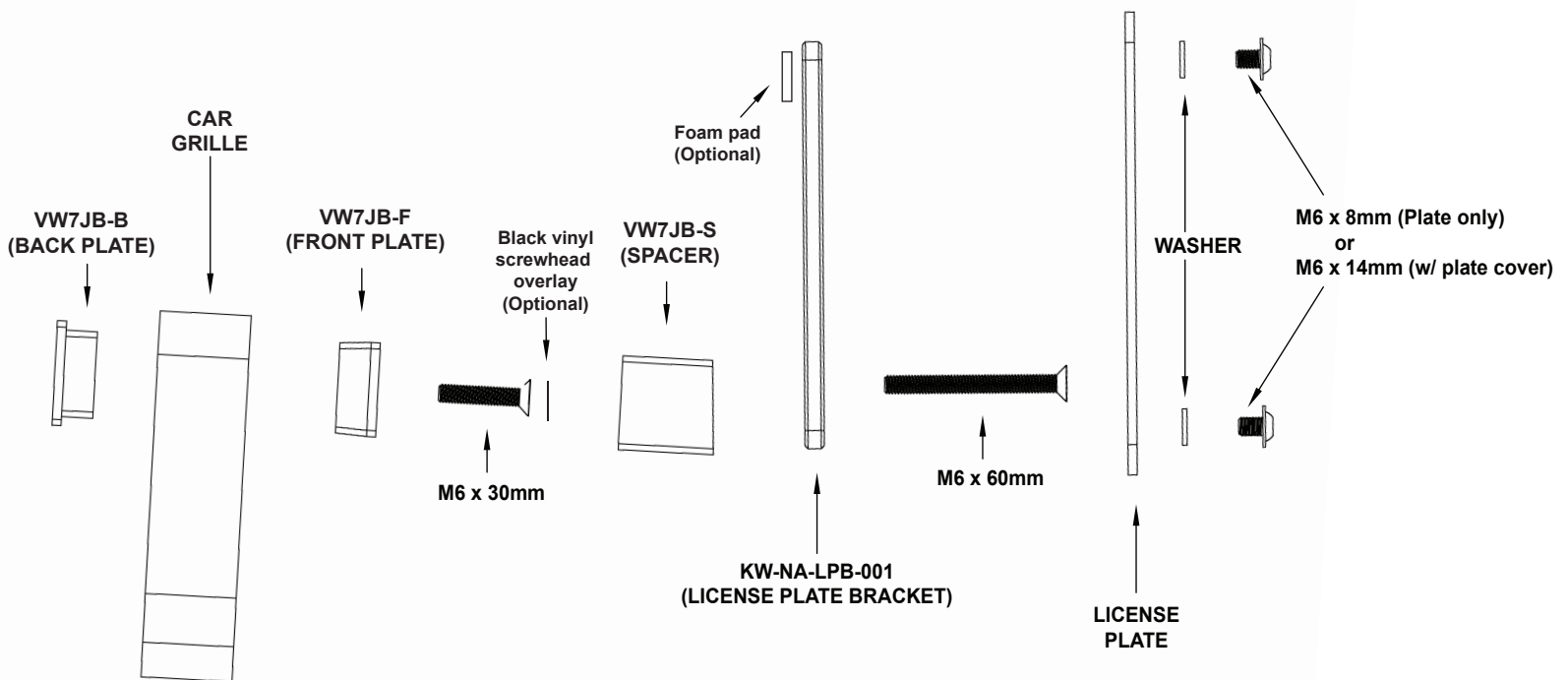


# IMPORTANT!

To be installed in highlighted location only!

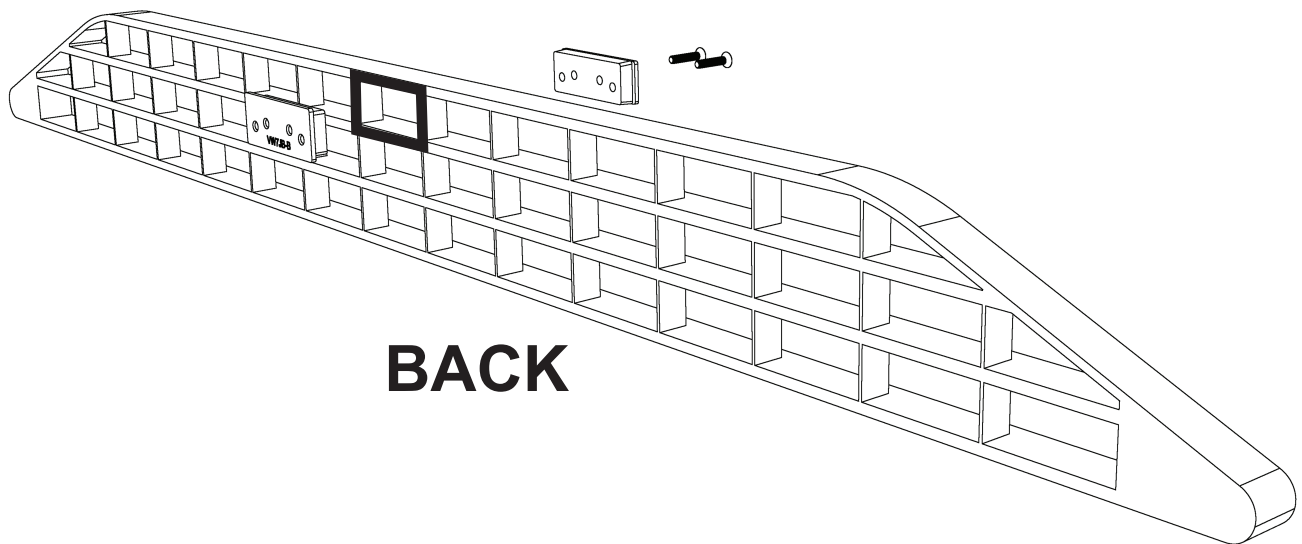
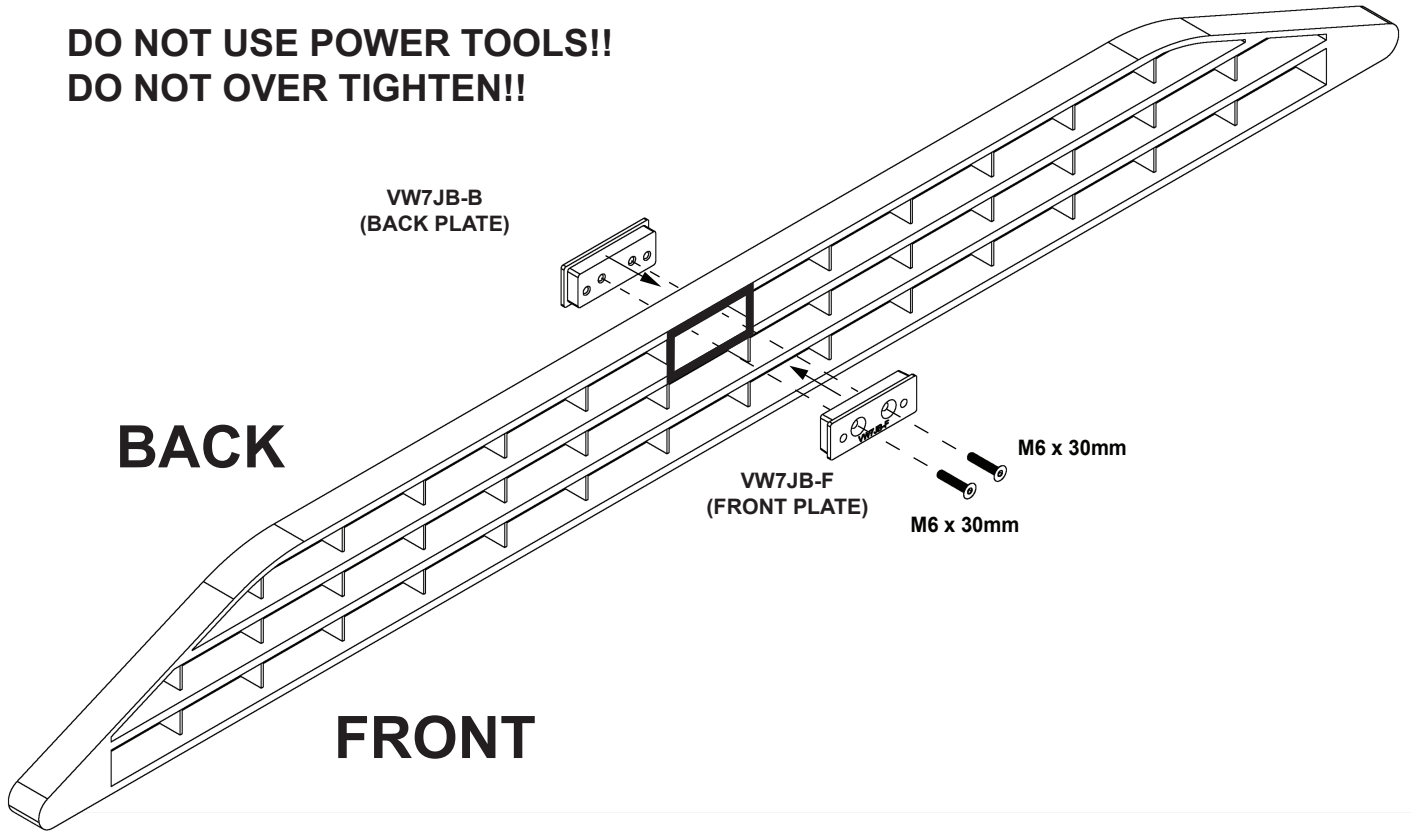


Assembly Side View:



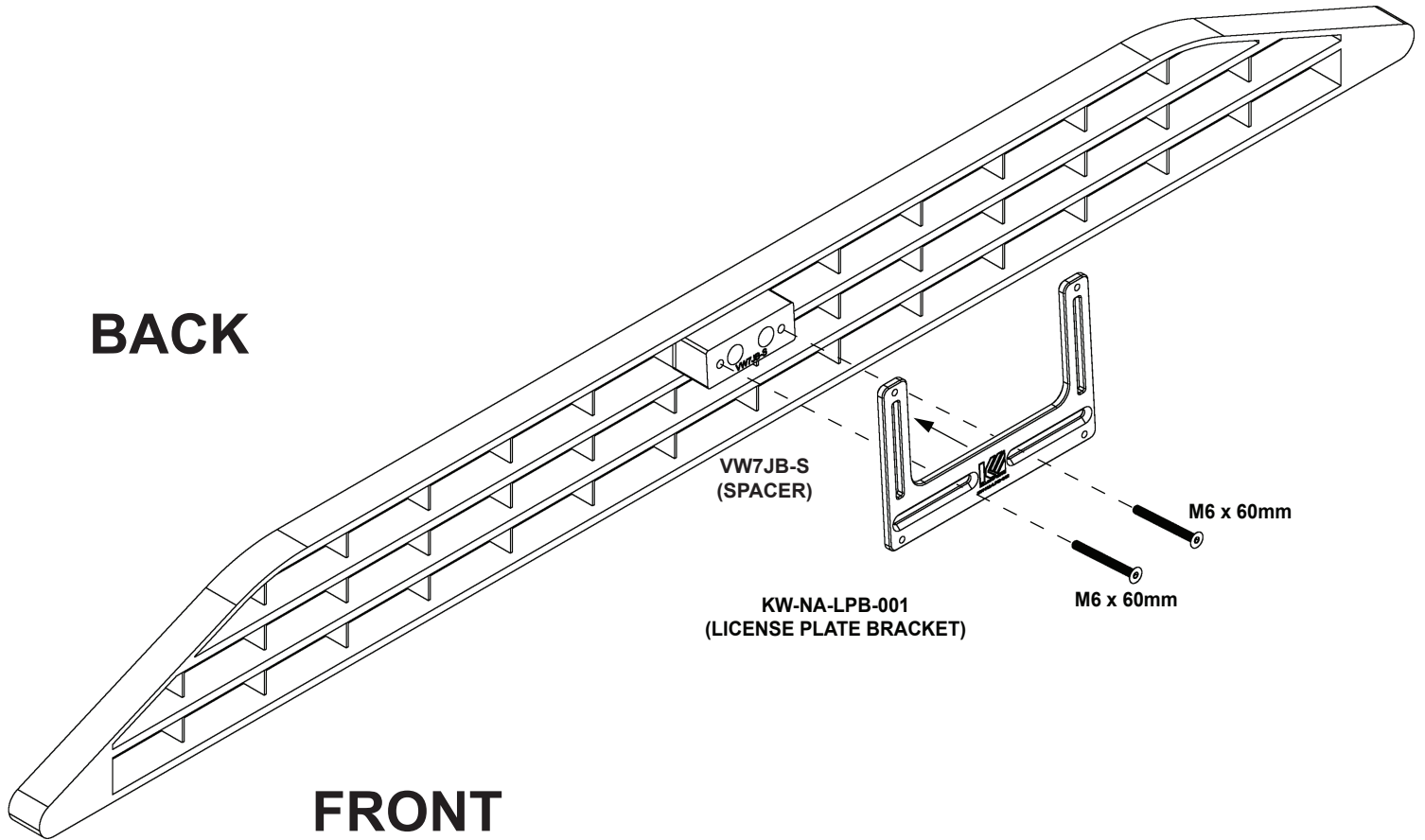
- 1 Insert back plate into the grille and bolt together with front plate.  
Ensure writing is upright .

**DO NOT USE POWER TOOLS!!**  
**DO NOT OVER TIGHTEN!!**

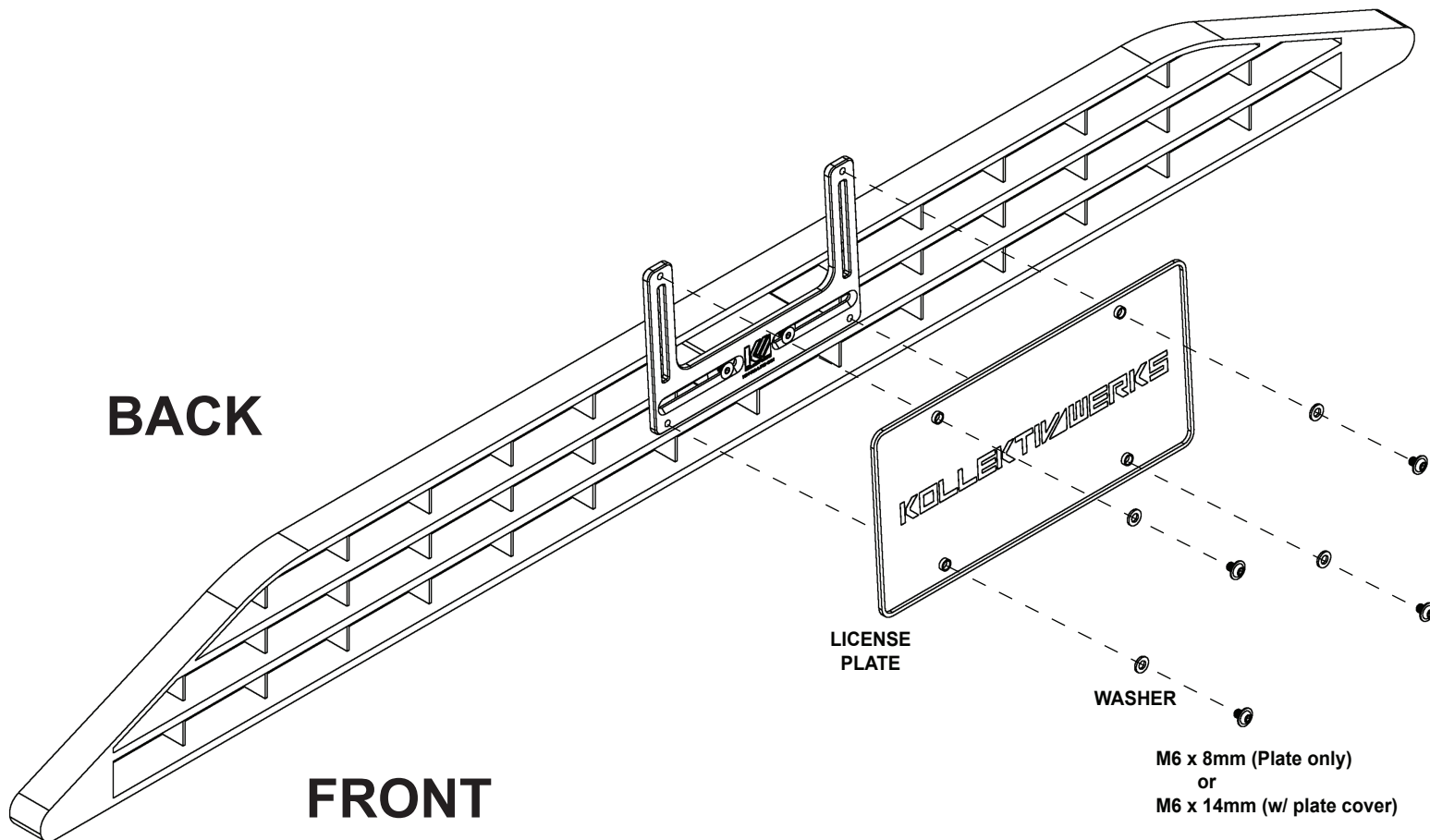


**2** Install spacer and bracket as shown. Center bracket and tighten.  
Ensure writing is upright.

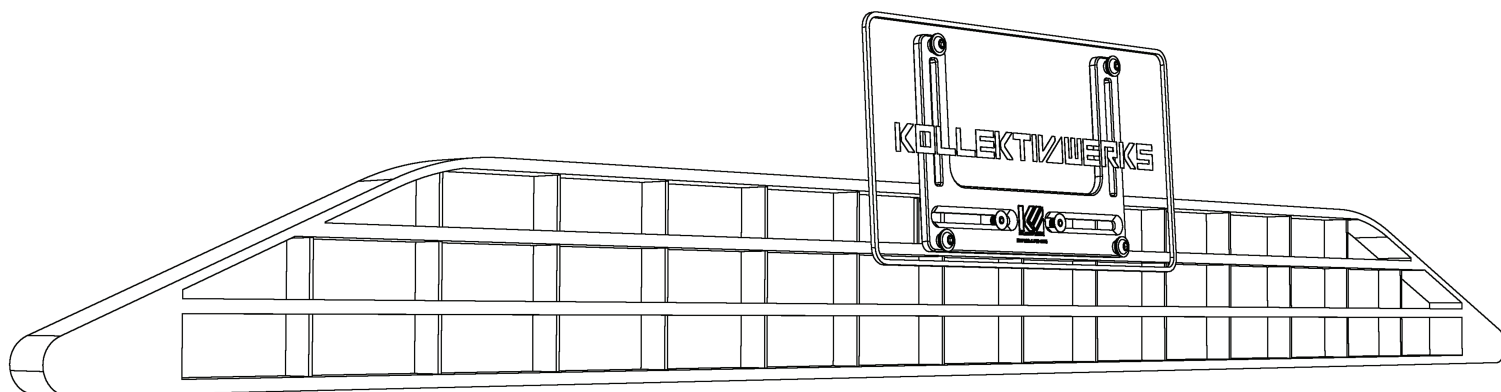
**DO NOT OVER TIGHTEN!!**



- 3** Install license plate to license plate bracket.  
Install M6x14mm bolts with a license plate cover otherwise use  
M6x8mm bolts.



**4** Enjoy your new KW license plate holder!



For customer support please email [support@kollektivwerks.com](mailto:support@kollektivwerks.com)

