



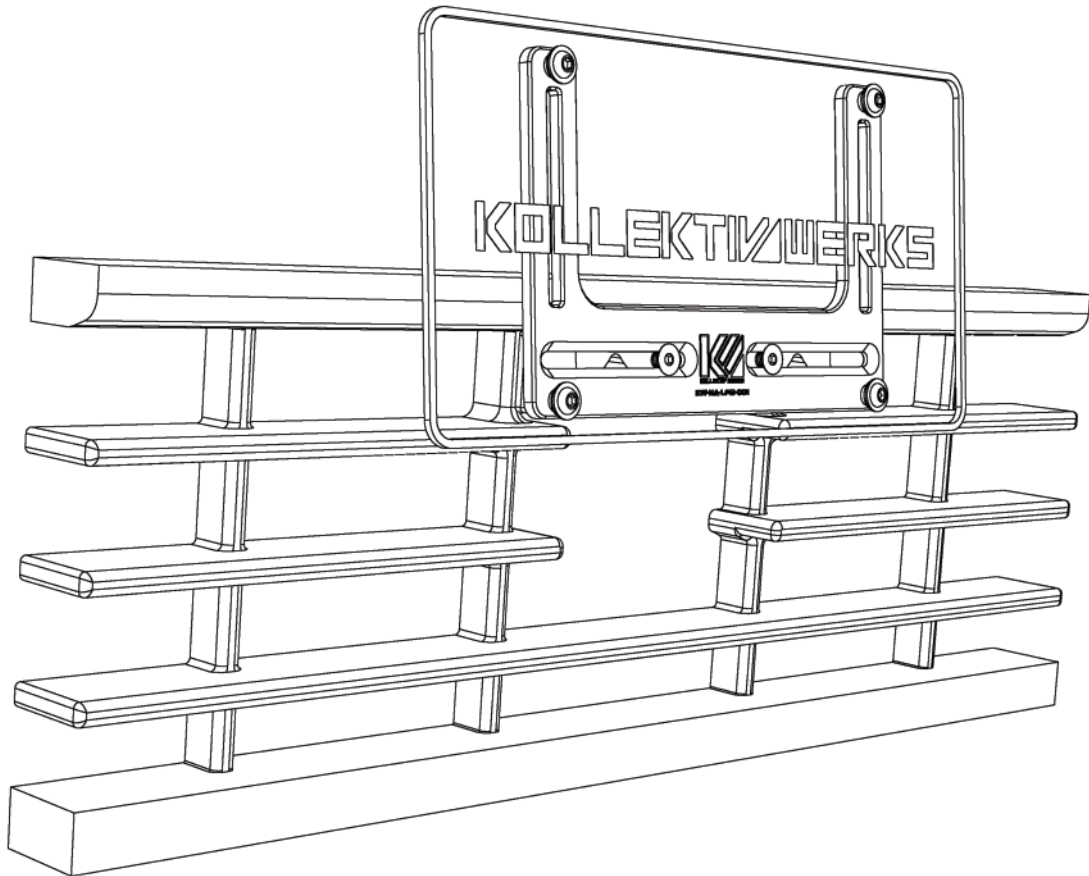
KOLLEKTIVWERKS

NO DRILL CENTER MOUNT LICENCE PLATE HOLDER

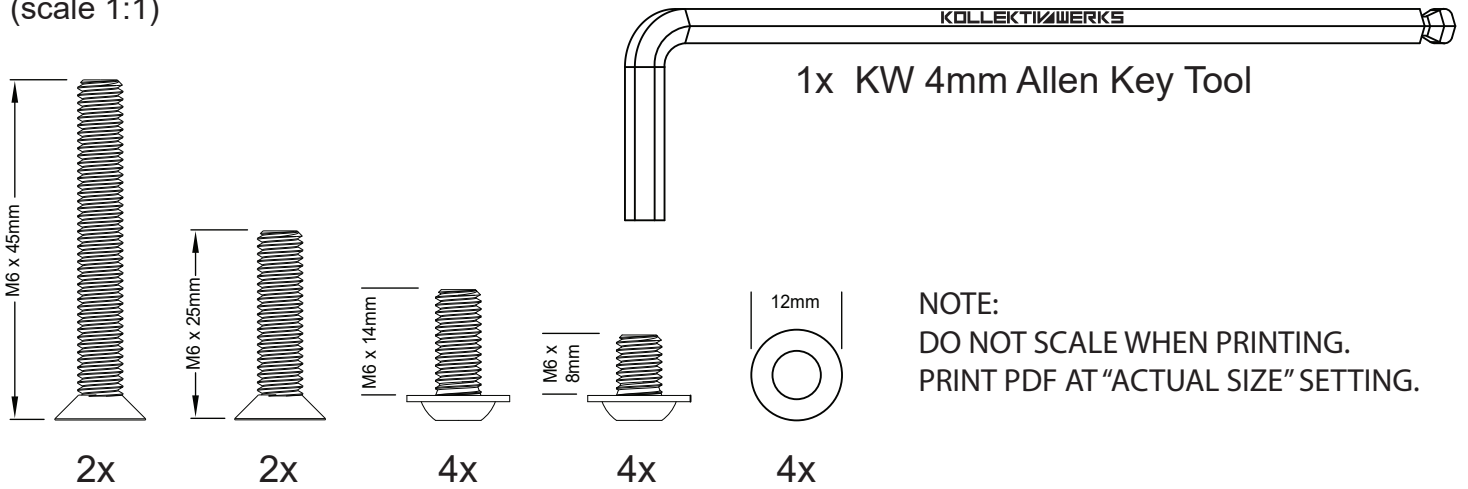
INSTALLATION GUIDE

SKU: VW7GRBACC

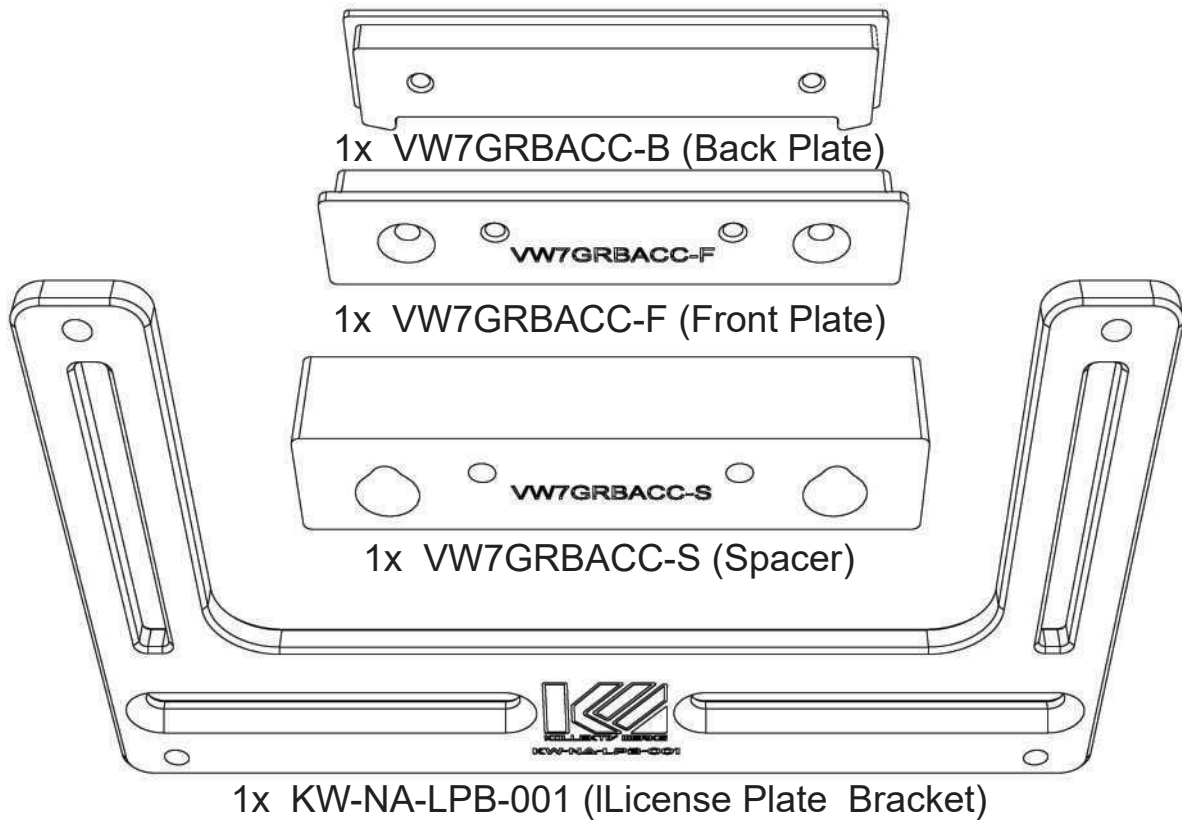
VW MK7 GOLF R (WITH ACC)



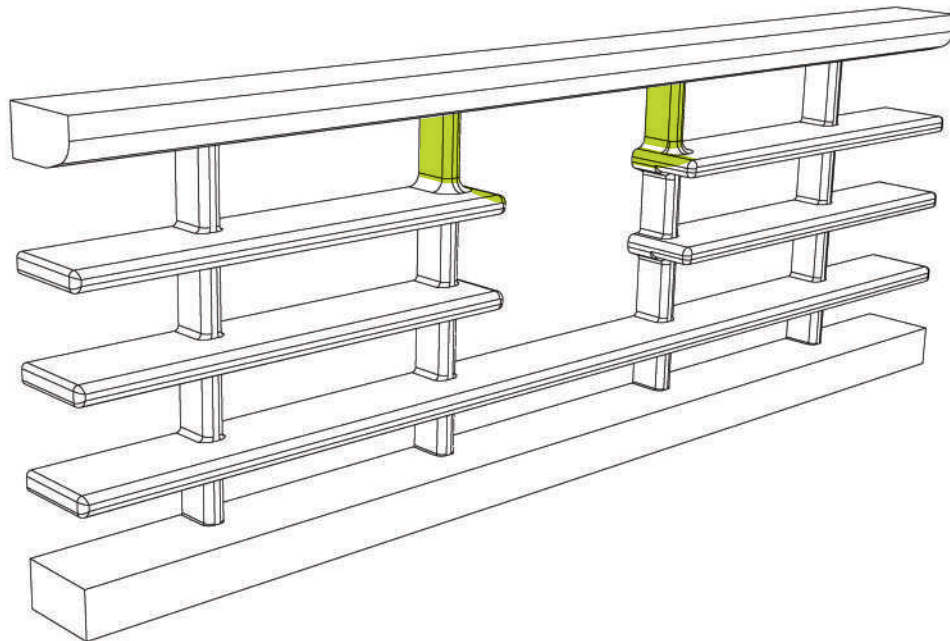
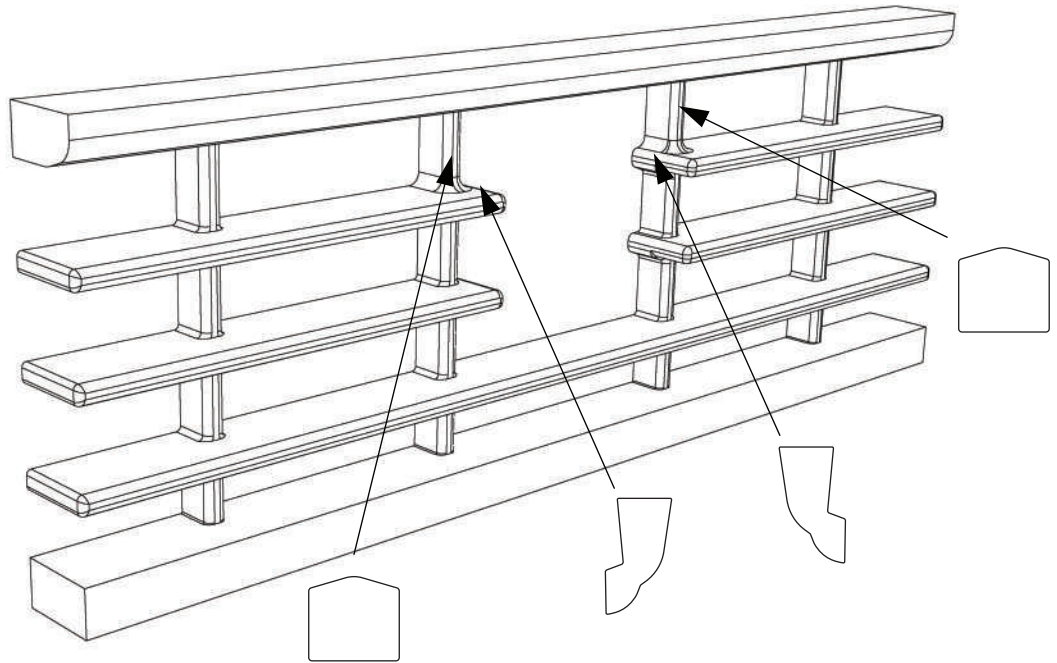
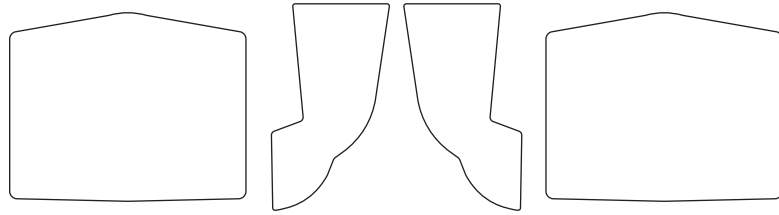
Bill of material:
(scale 1:1)



Component list:
(not to scale)

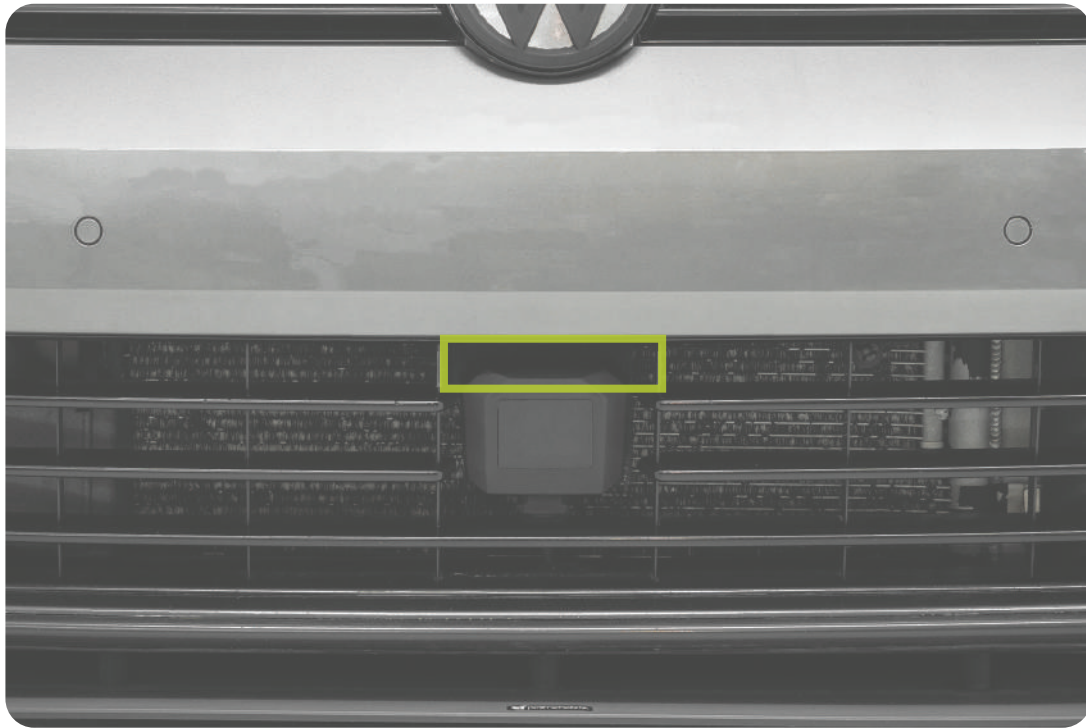


Optional paint protection film kit

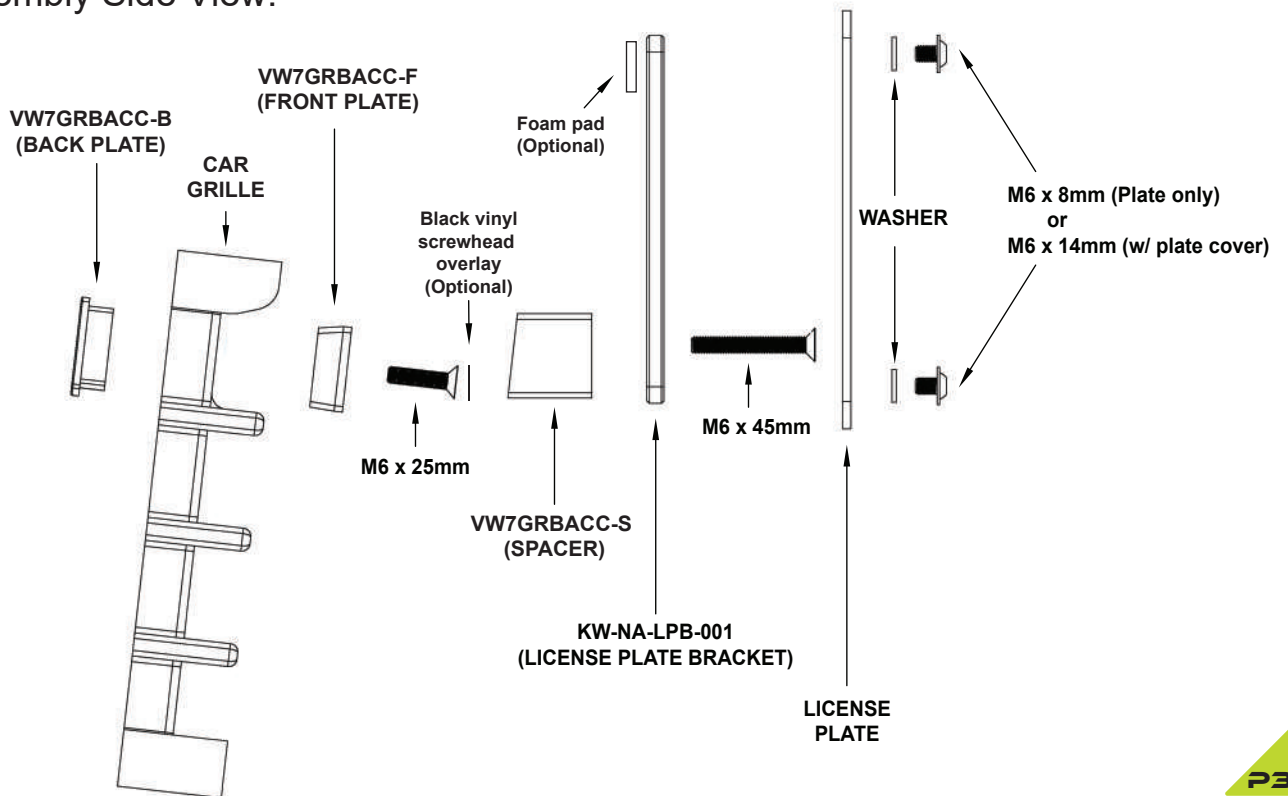


IMPORTANT!

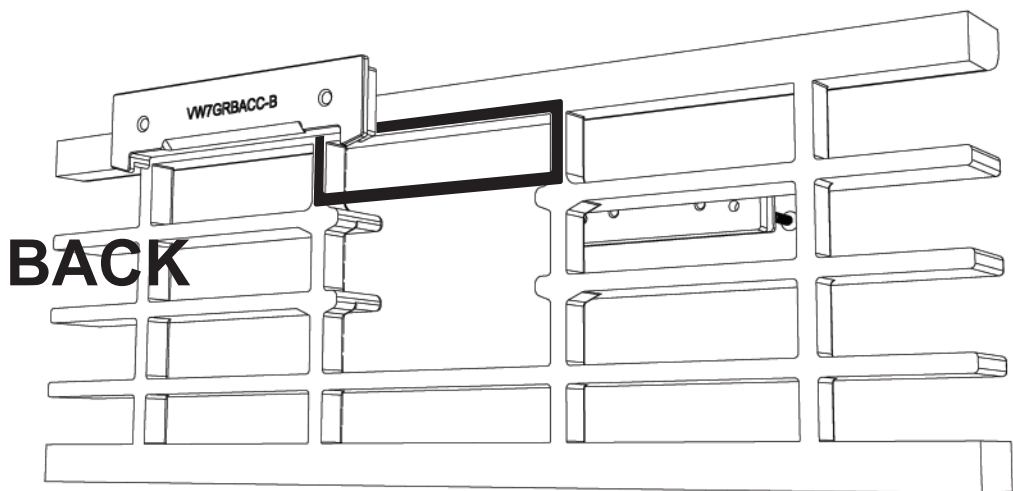
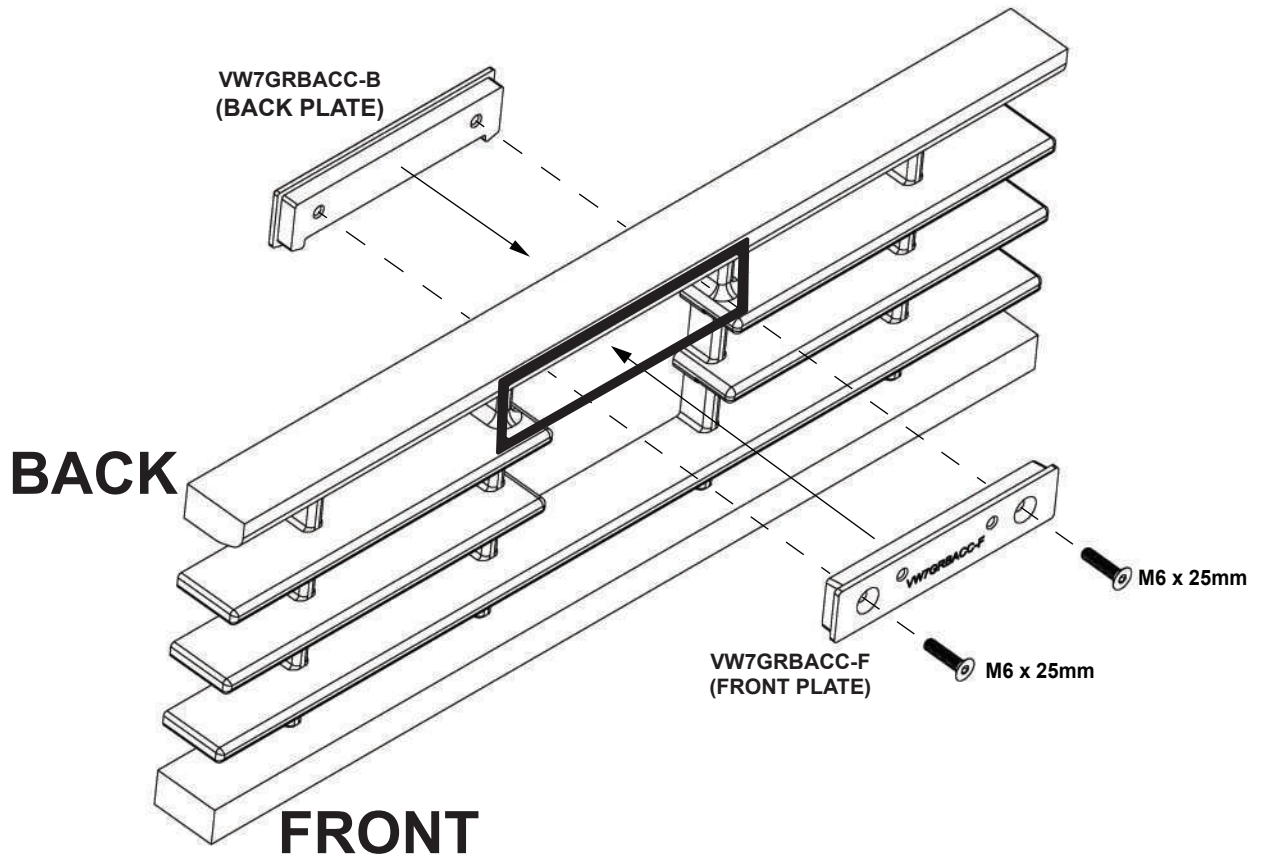
To be installed in highlighted location only!



Assembly Side View:

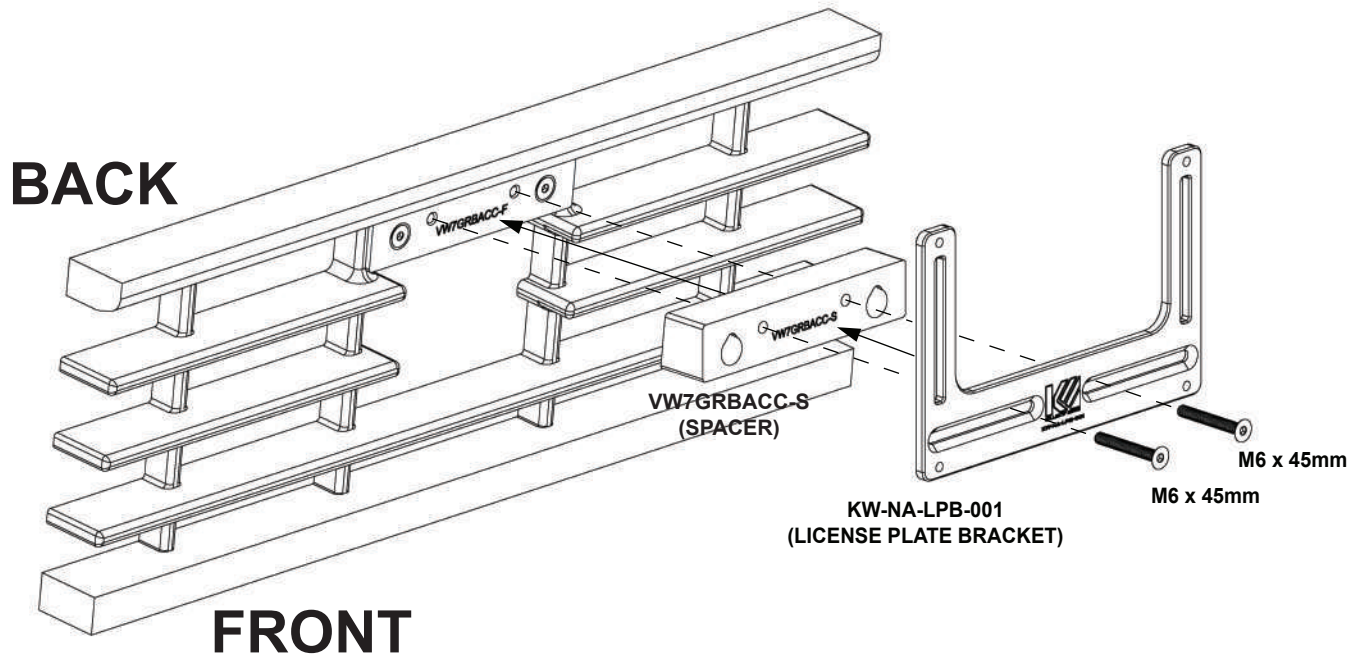


- 1 Insert back plate into the grille and bolt together with front plate. Ensure writing is upright . DO NOT OVER TIGHTEN!!

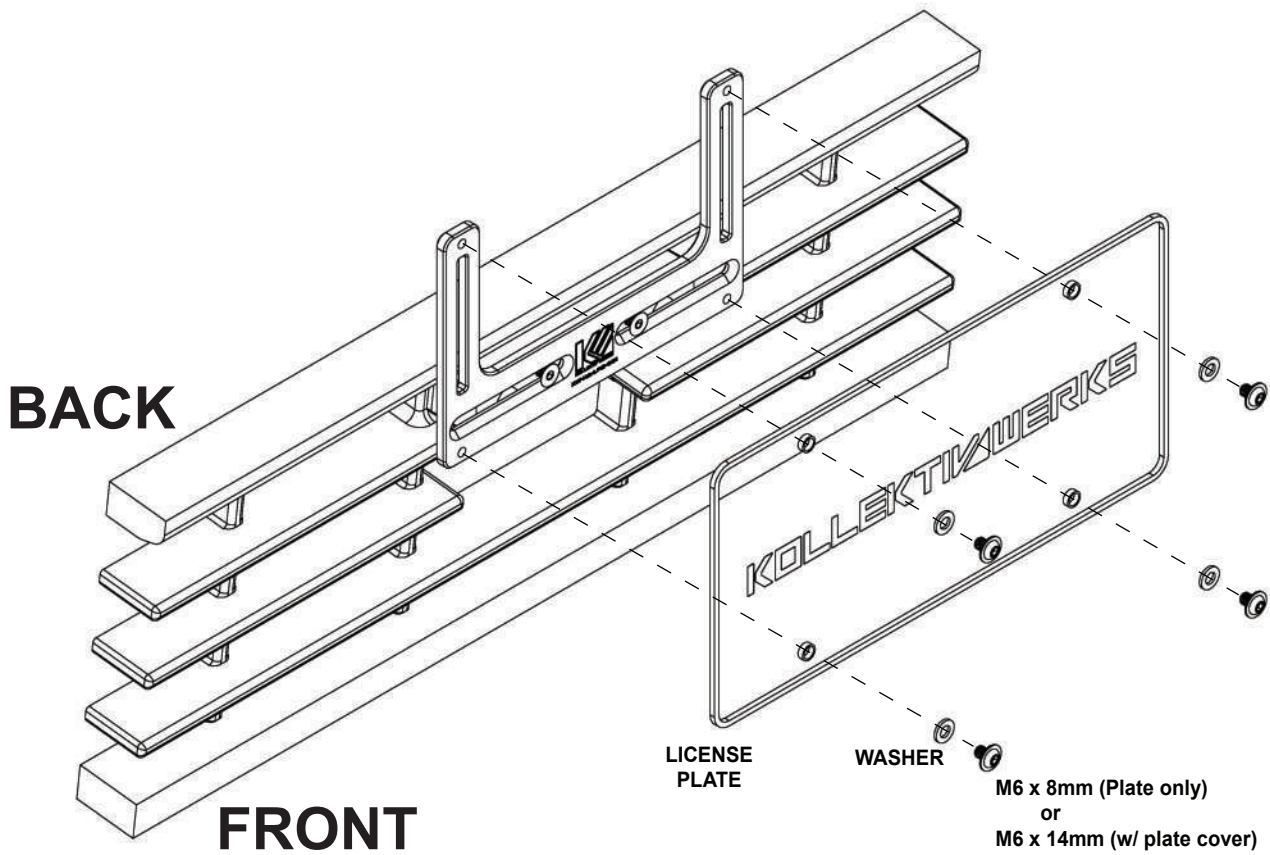


2 Install spacer and bracket as shown. Center bracket and tighten.
Ensure writing is upright.

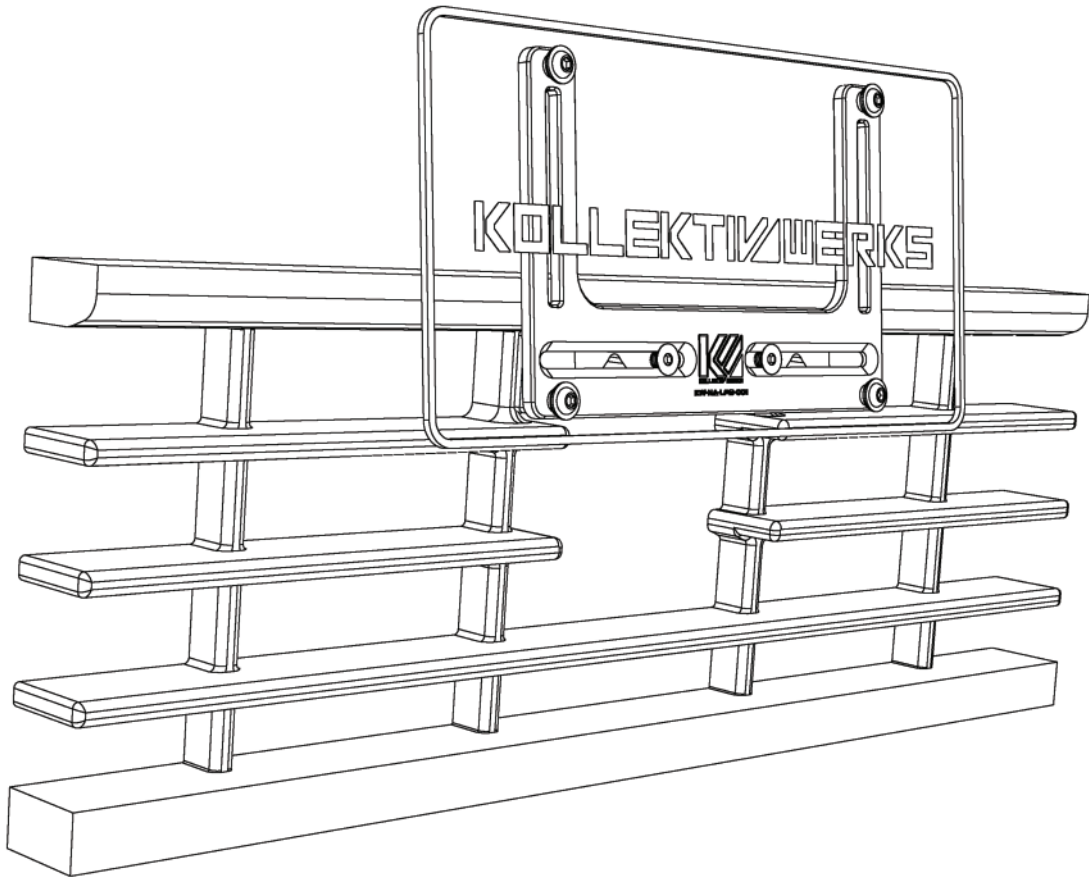
DO NOT OVER TIGHTEN!!



- 3** Install license plate to license plate bracket.
 Install M6x14mm bolts with a license plate cover otherwise use M6x8mm bolts.



4 Enjoy your new KW license plate holder!



For customer support please email support@kollektivwerks.com

