



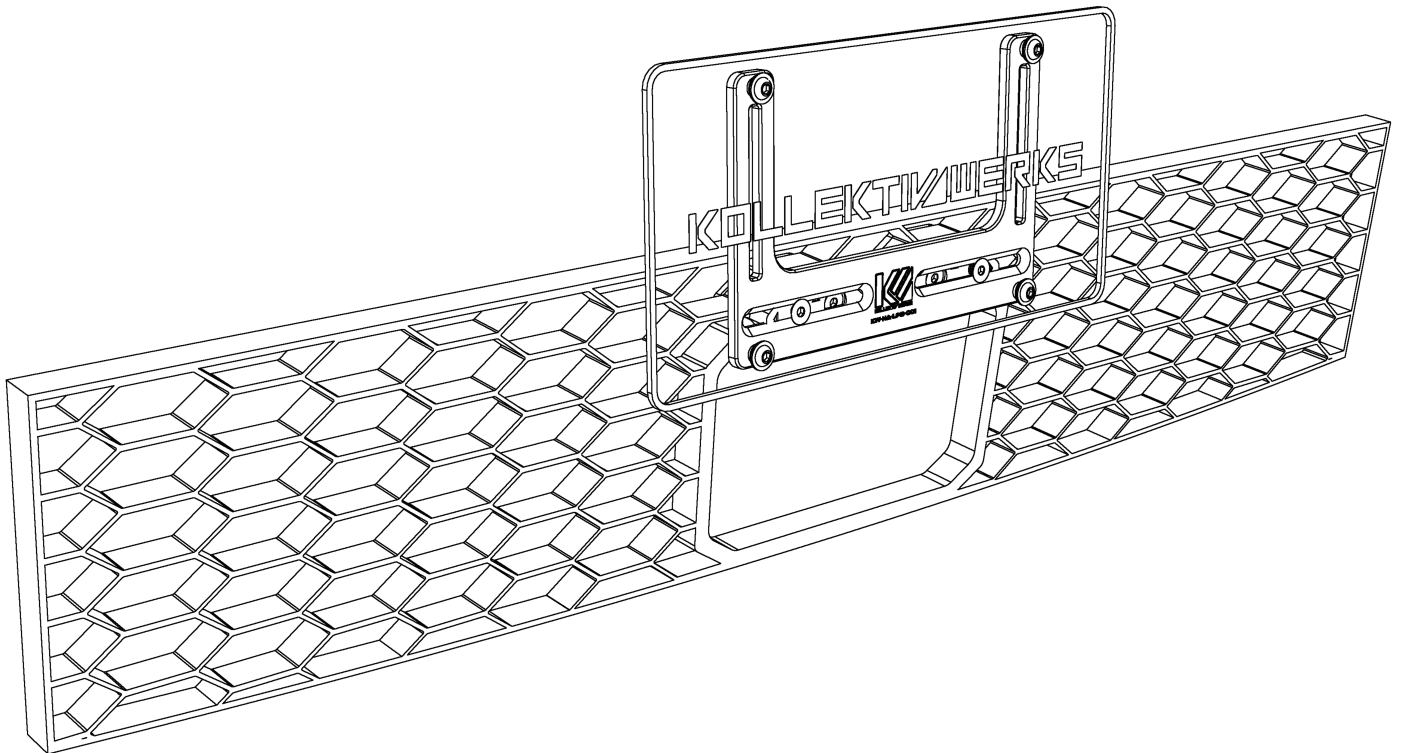
# KOLLEKTIVWERKS

NO DRILL CENTER MOUNT LICENCE PLATE HOLDER

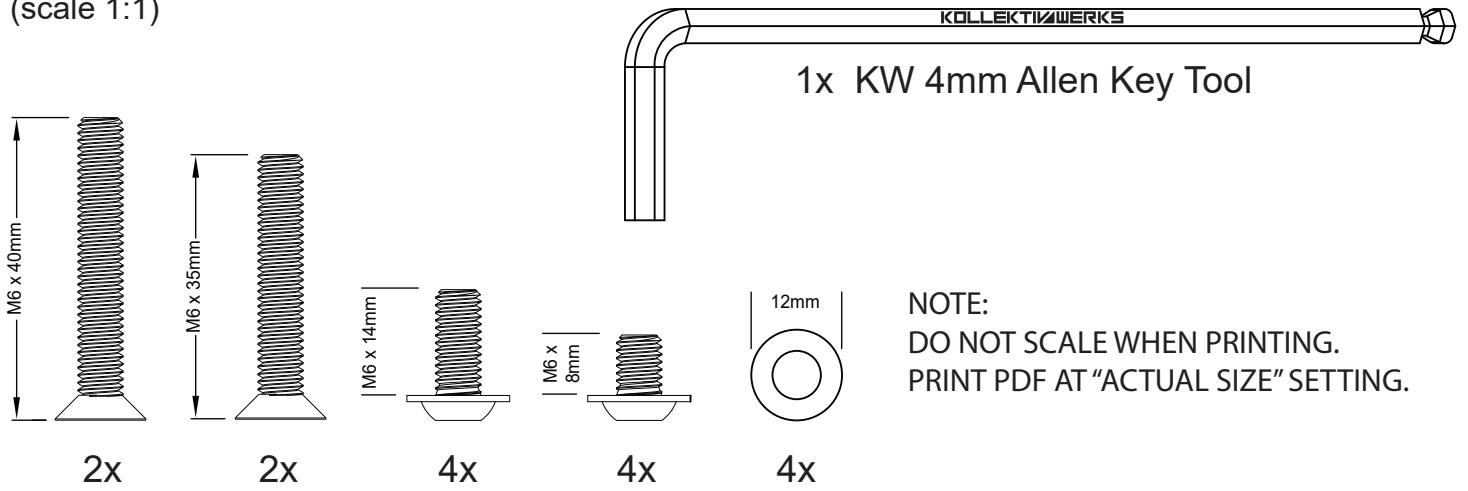
INSTALLATION GUIDE

SKU: VW7GGTIBACC

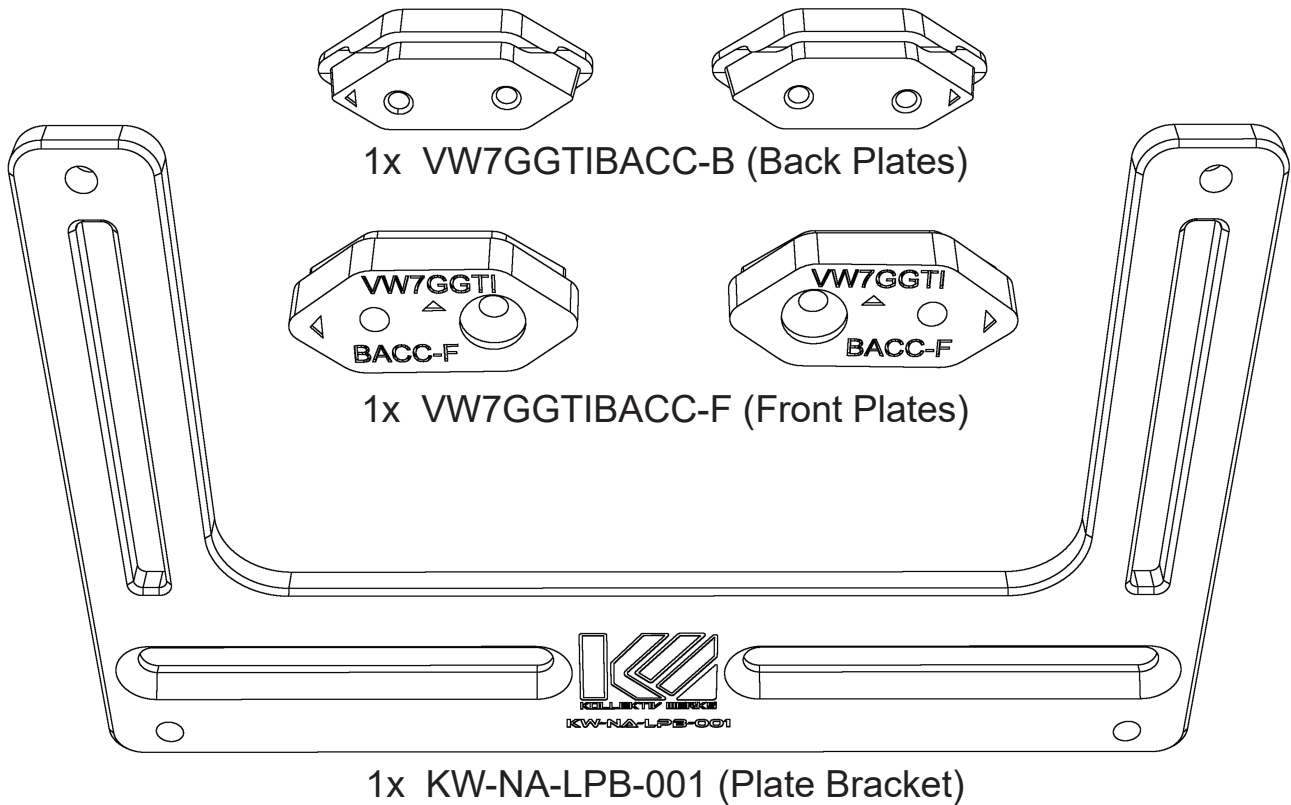
## VW MK7 GTI (W/ SENSOR WINDOW)



Bill of material:  
(scale 1:1)



Component list:  
(not to scale)

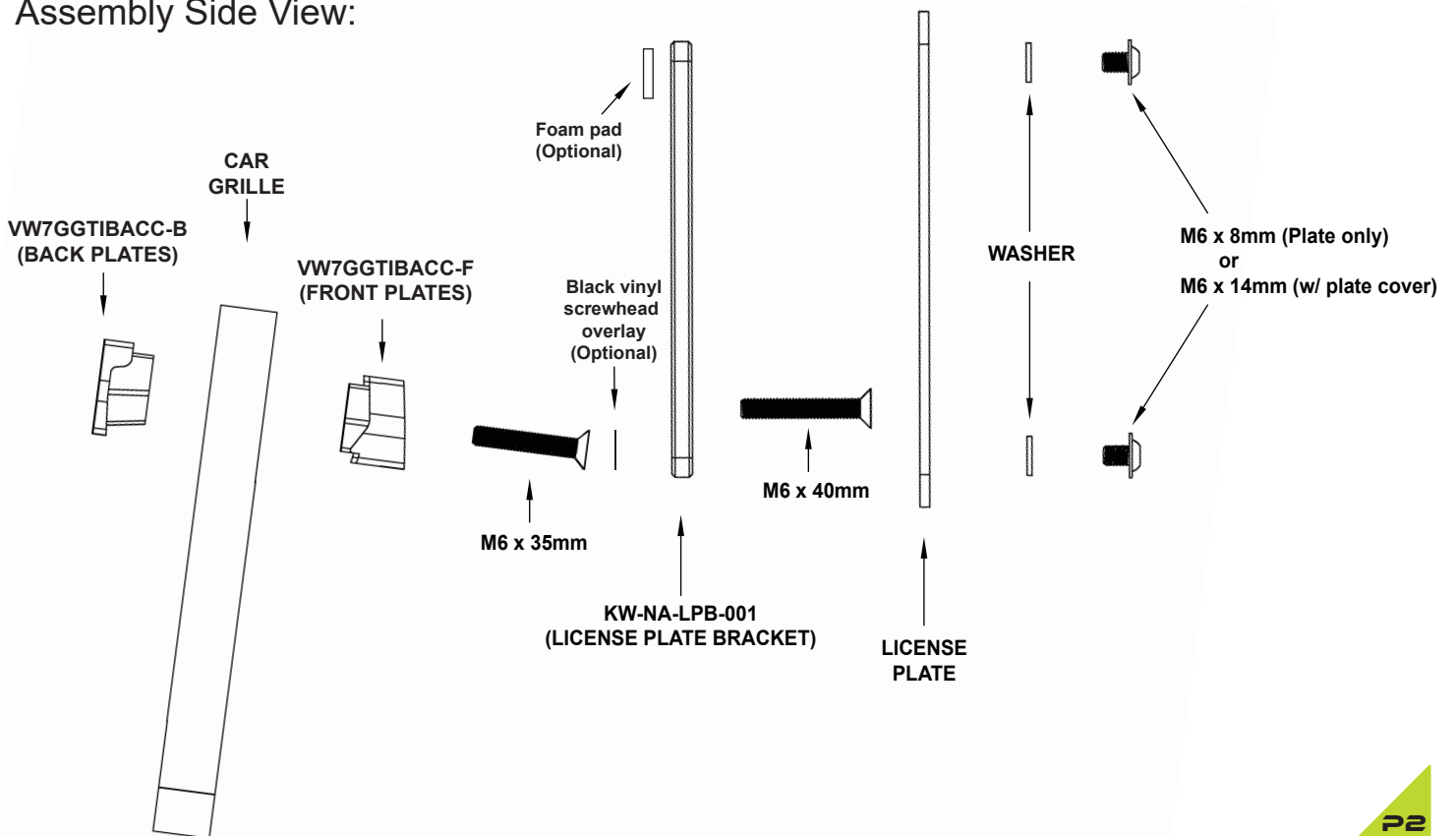


# IMPORTANT!

To be installed in highlighted location only!

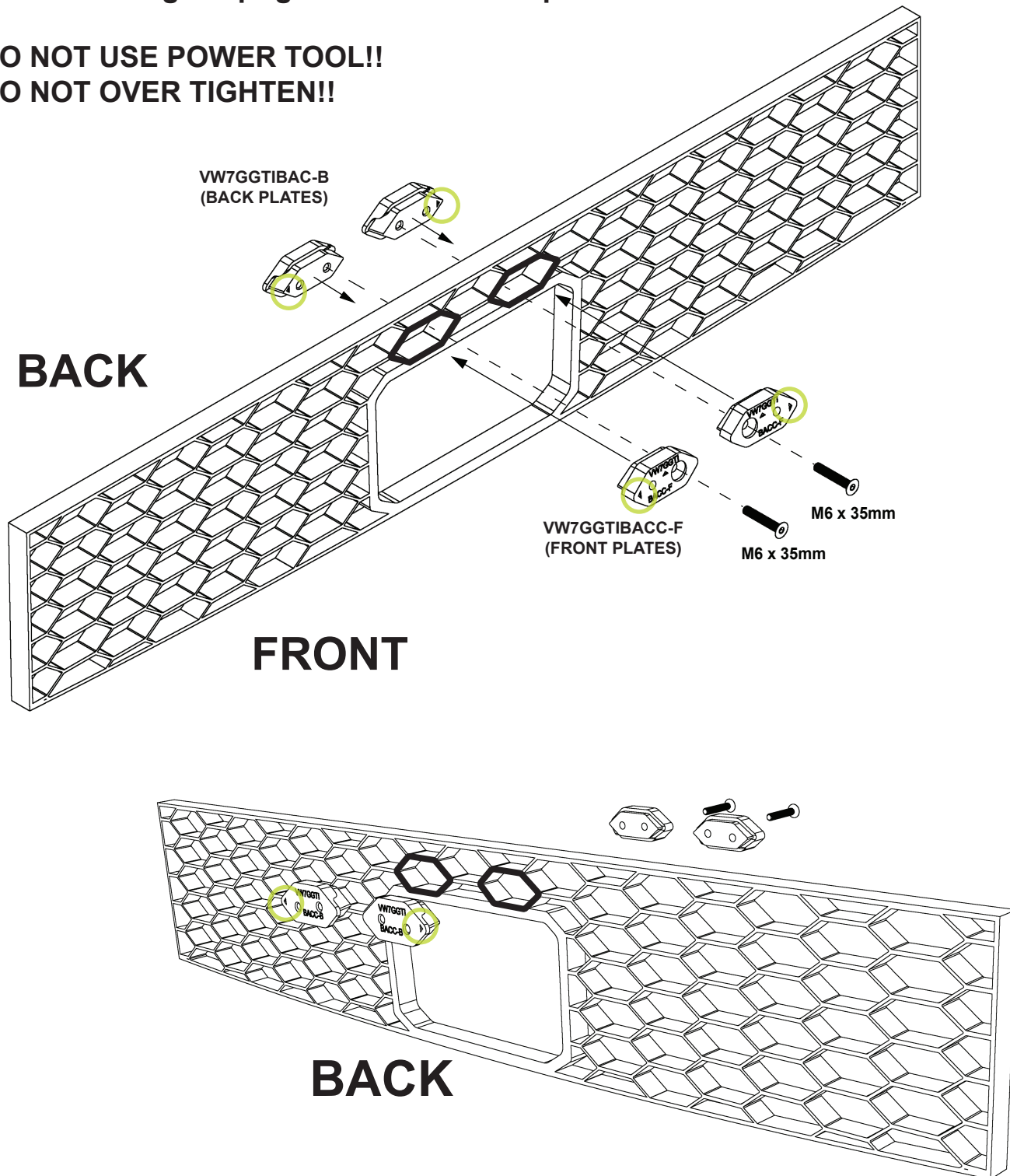


## Assembly Side View:



- 1 Insert back plate into the grille and bolt together with front plate. Ensure writing is upright and the arrows point to the outside.

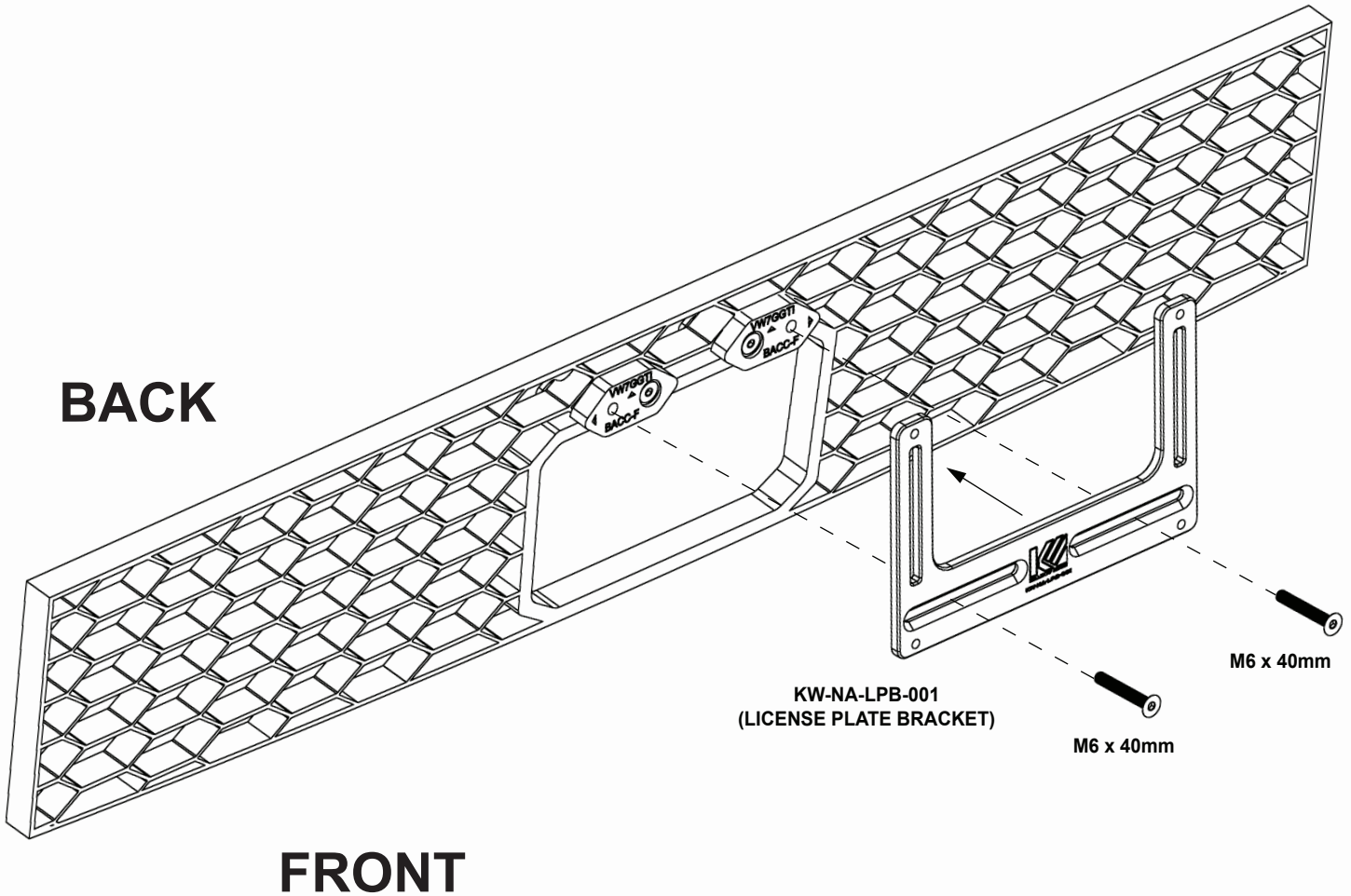
**DO NOT USE POWER TOOL!!**  
**DO NOT OVER TIGHTEN!!**



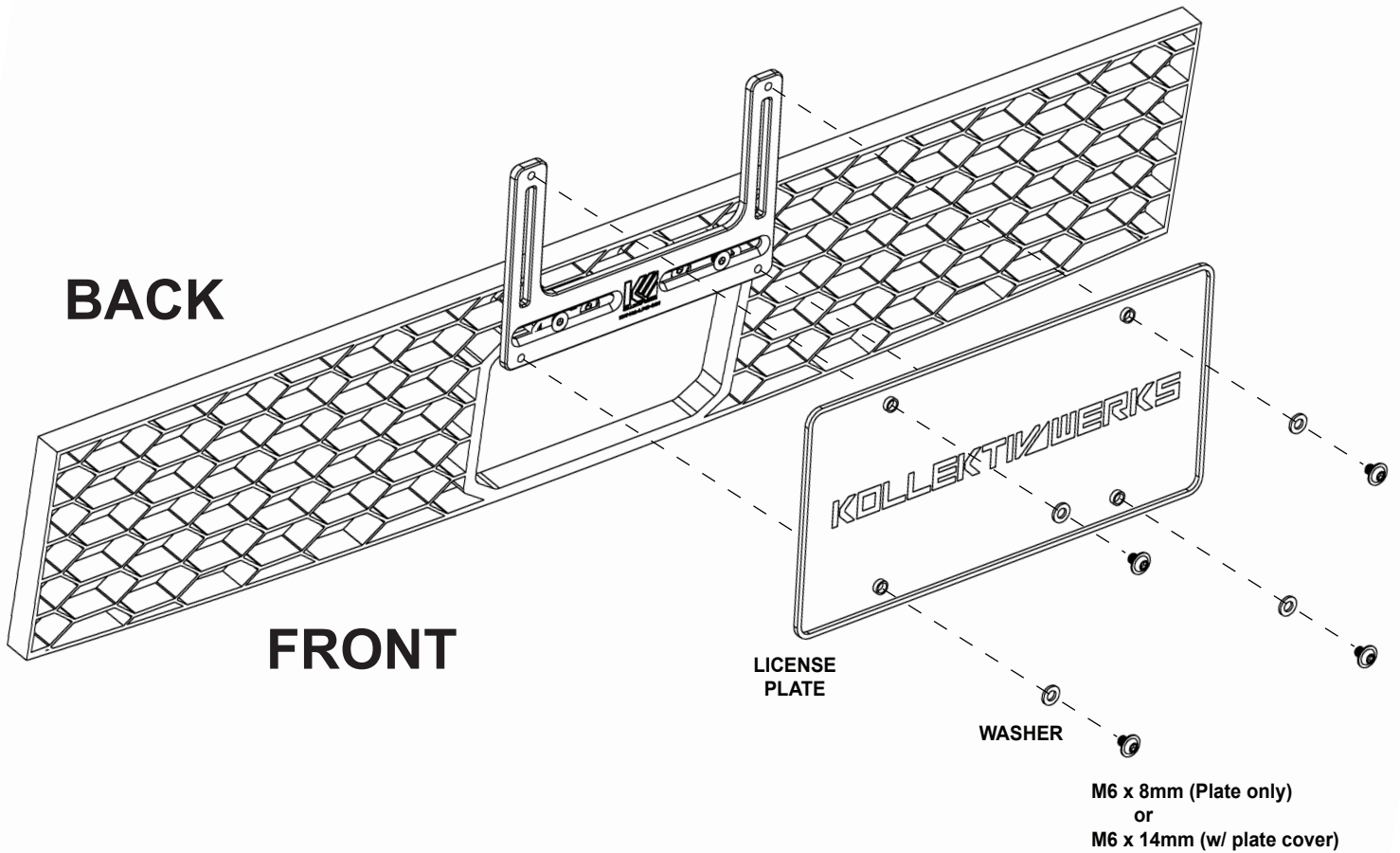


**2** Install spacer and bracket as shown. Center bracket and tighten.  
Ensure writing is upright.

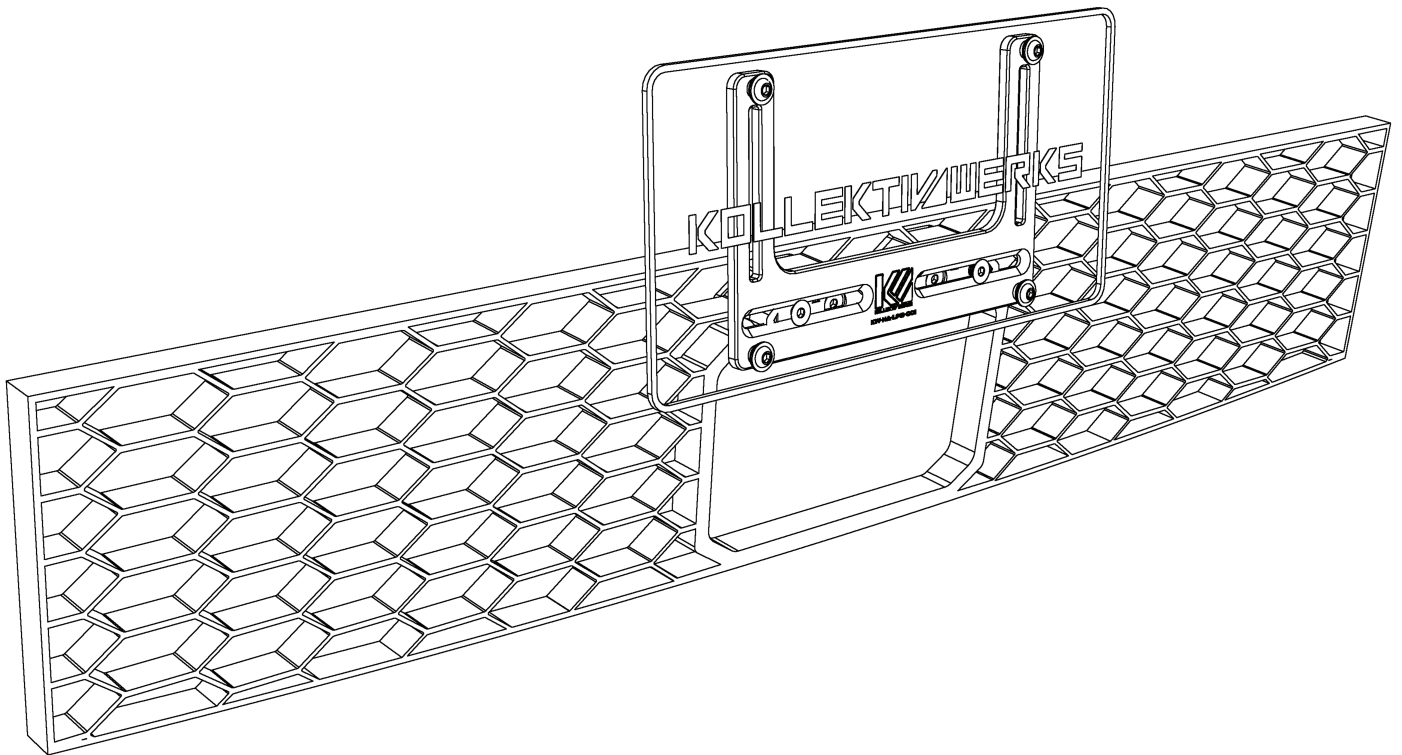
**DO NOT USE POWER TOOL!!**  
**DO NOT OVER TIGHTEN!!**



- 3** Install license plate to license plate bracket.  
Install M6x14mm bolts with a license plate cover otherwise use M6x8mm bolts.



**4** Enjoy your new KW license plate holder!



For customer support please email [support@kollektivwerks.com](mailto:support@kollektivwerks.com)

