



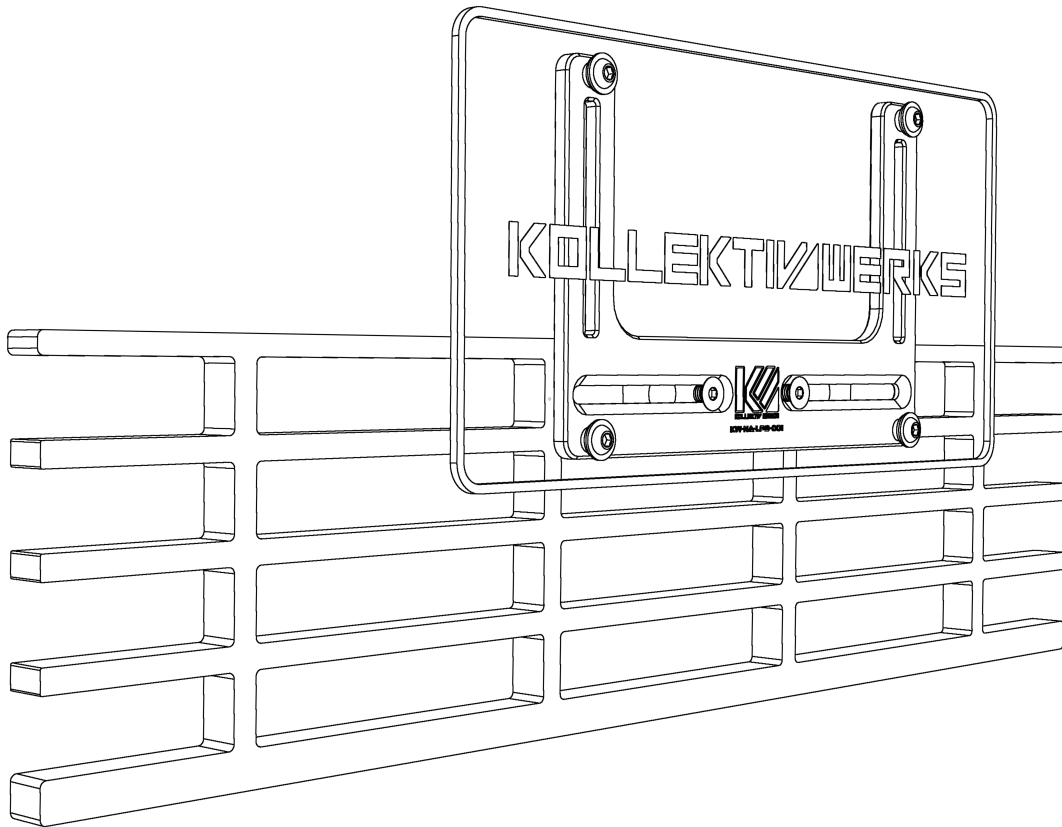
# KOLLEKTIVWERKS

NO DRILL CENTER MOUNT LICENCE PLATE HOLDER

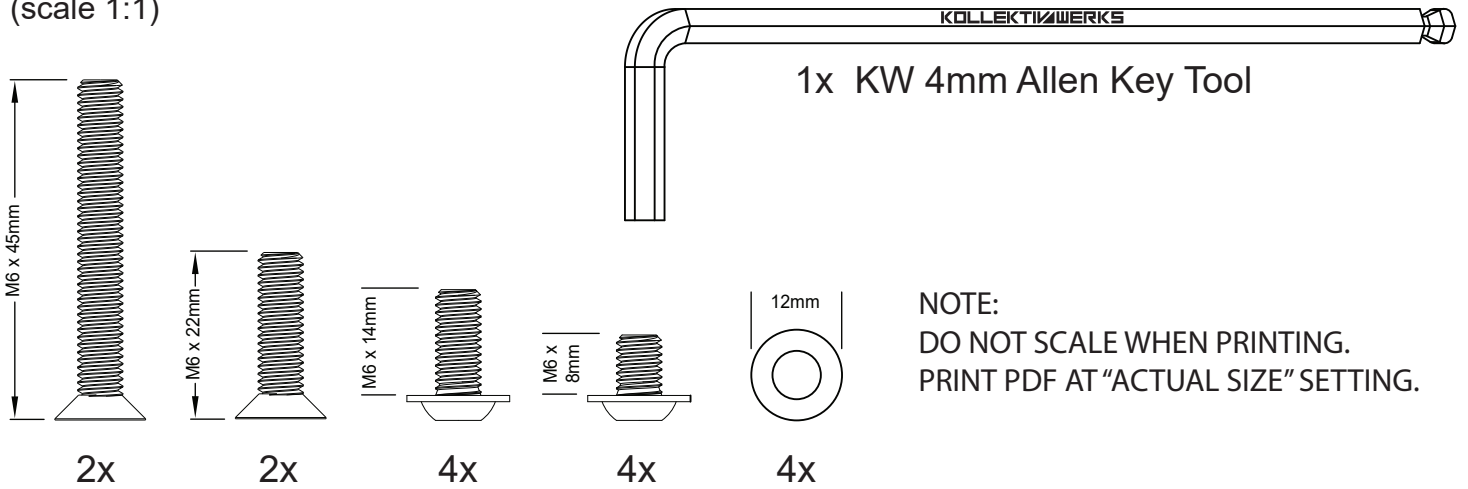
INSTALLATION GUIDE

SKU: VW75GRB

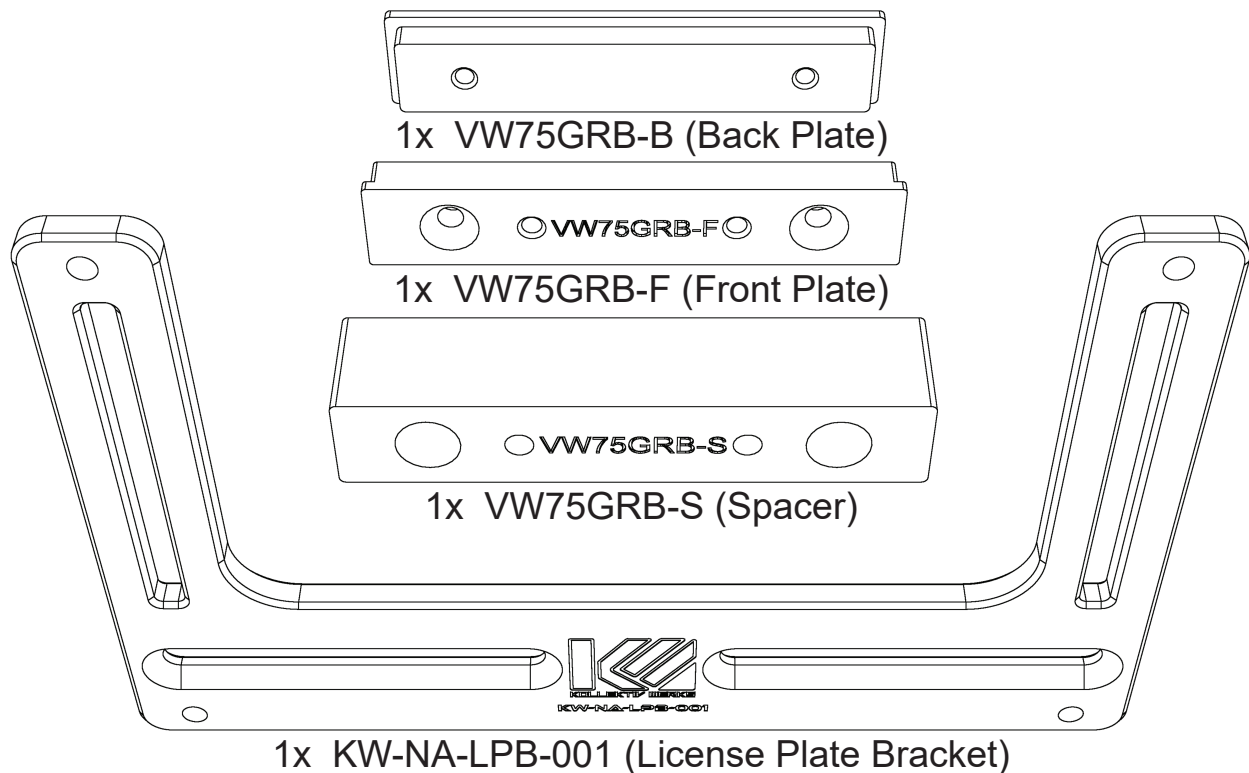
## VW MK75 GOLF R



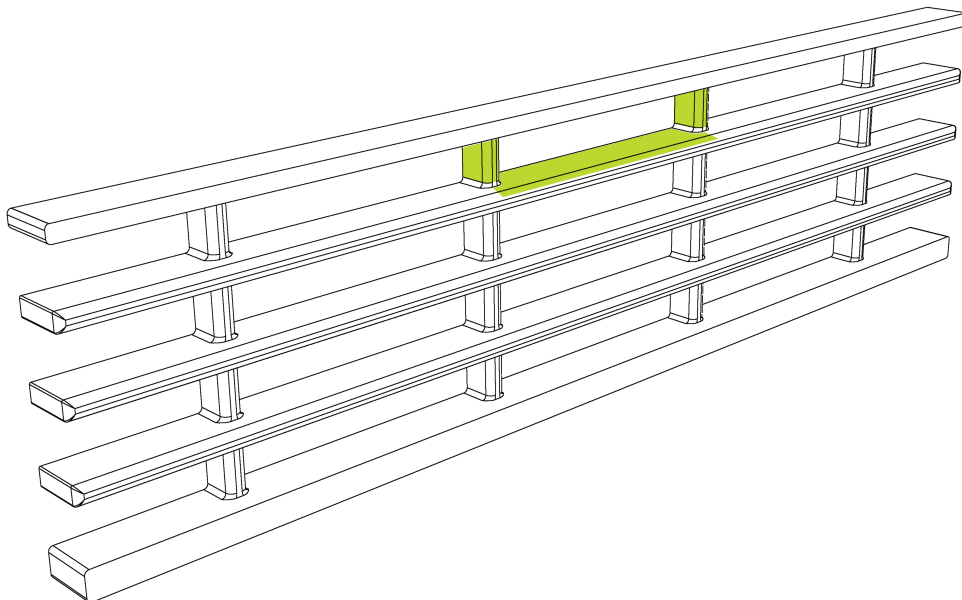
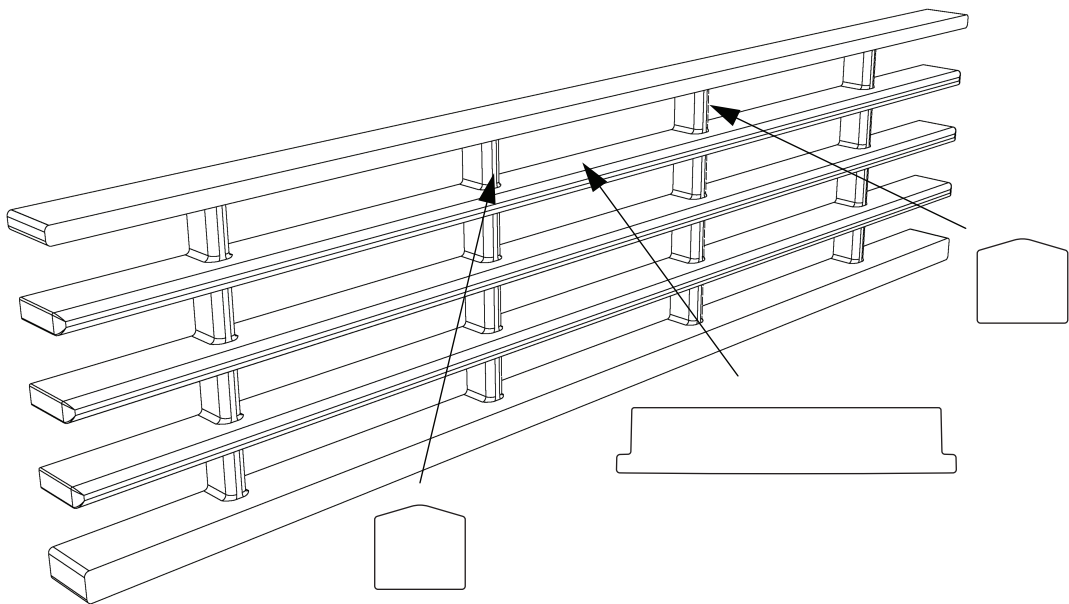
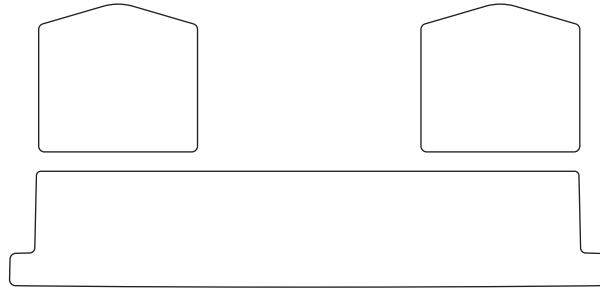
Bill of material:  
(scale 1:1)



Component list:  
(not to scale)



### Optional paint protection film kit

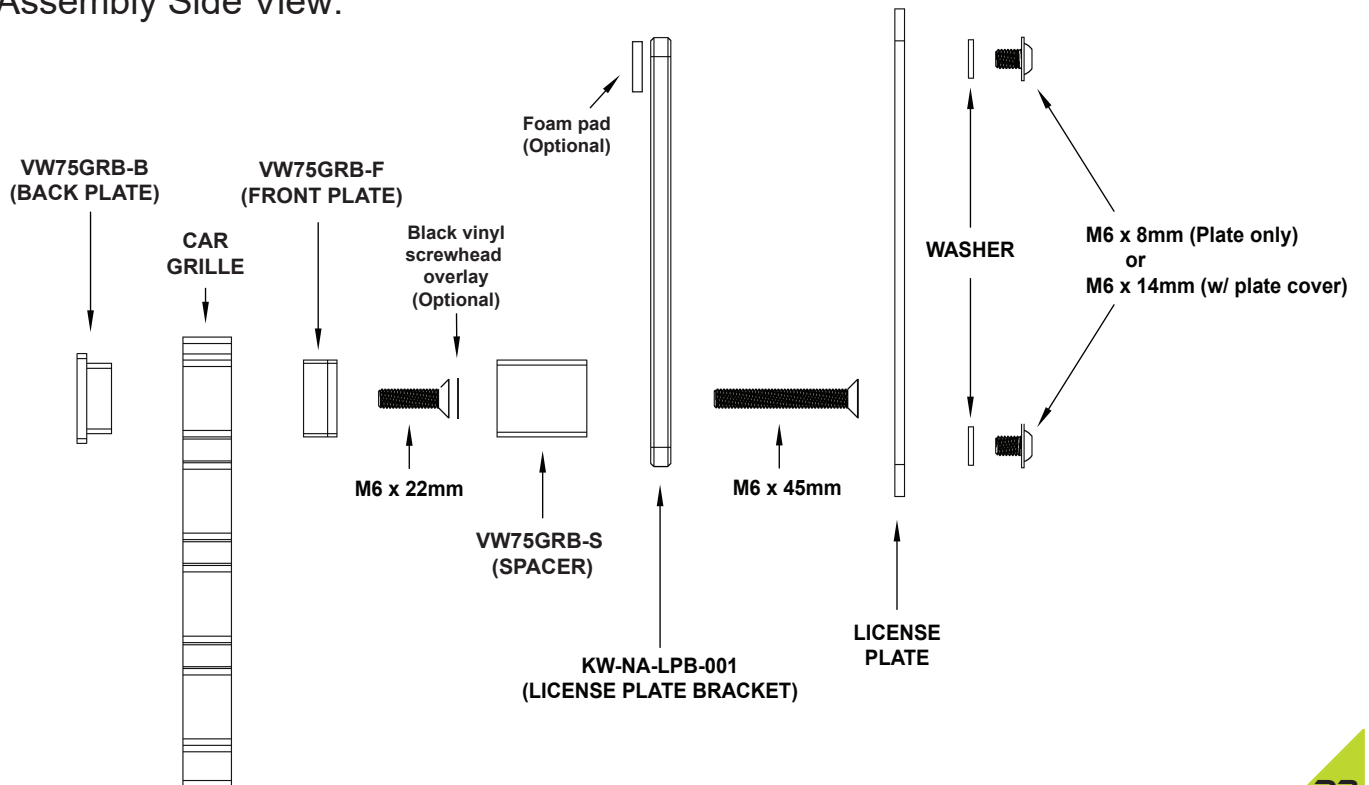


# IMPORTANT!

To be installed in highlighted location only!

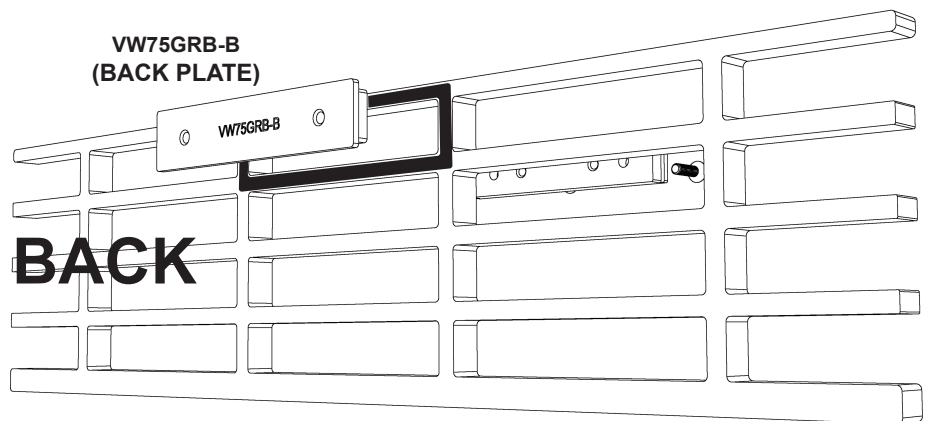
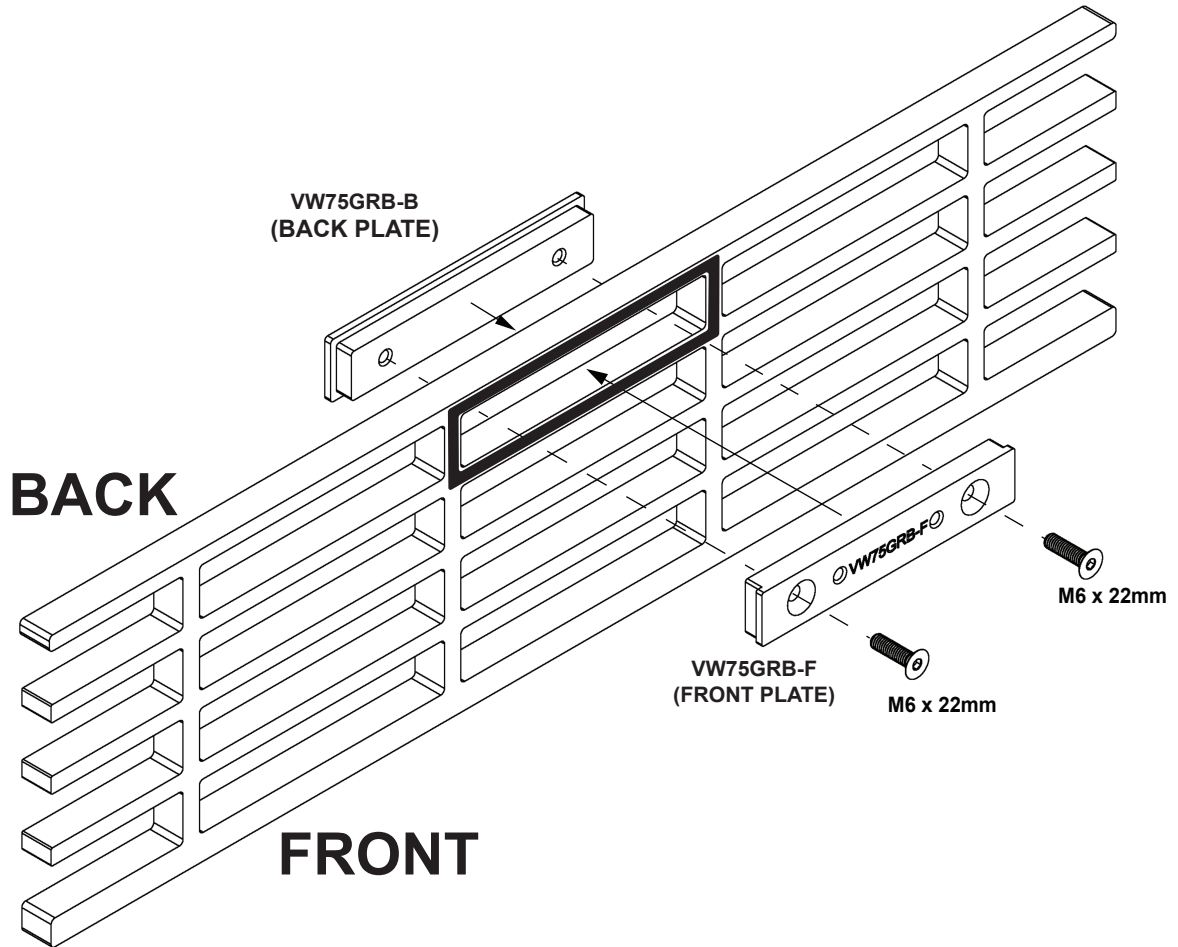


## Assembly Side View:



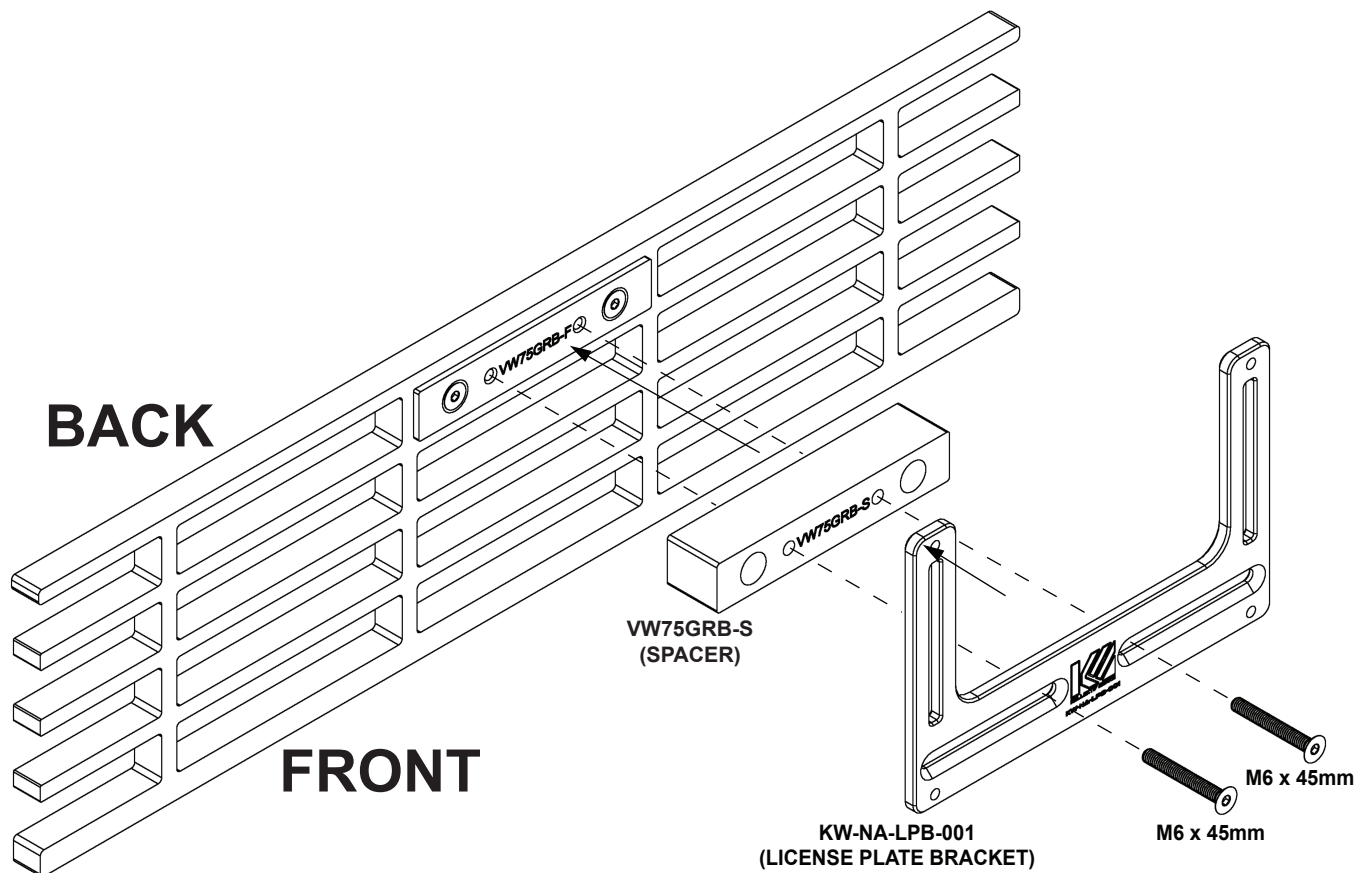


- 1 Insert back plate into the grille and bolt together with front plate. Ensure writing is upright . DO NOT OVER TIGHTEN!!

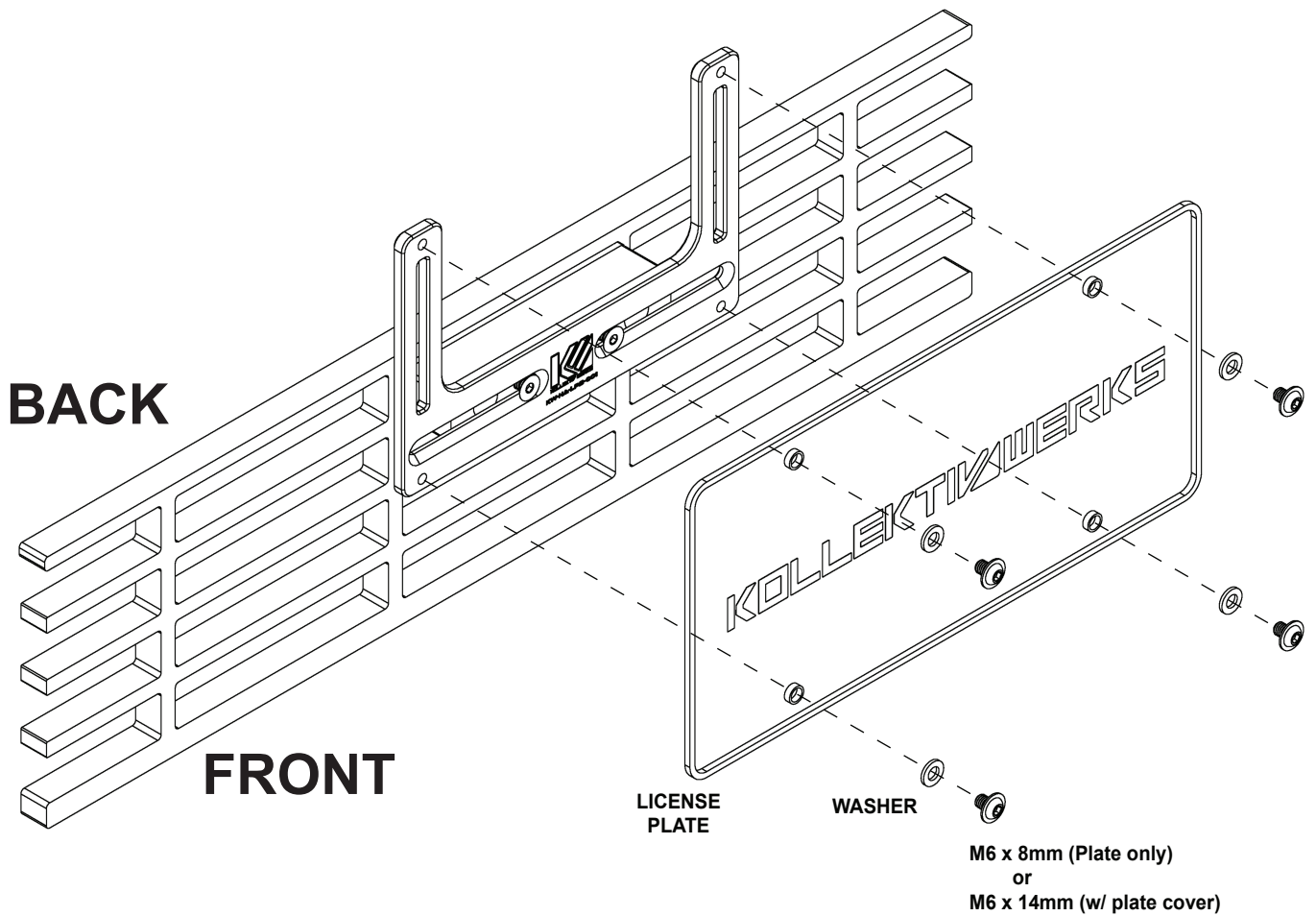


**2** Install spacer and bracket as shown. Center bracket and tighten. Ensure writing is upright.

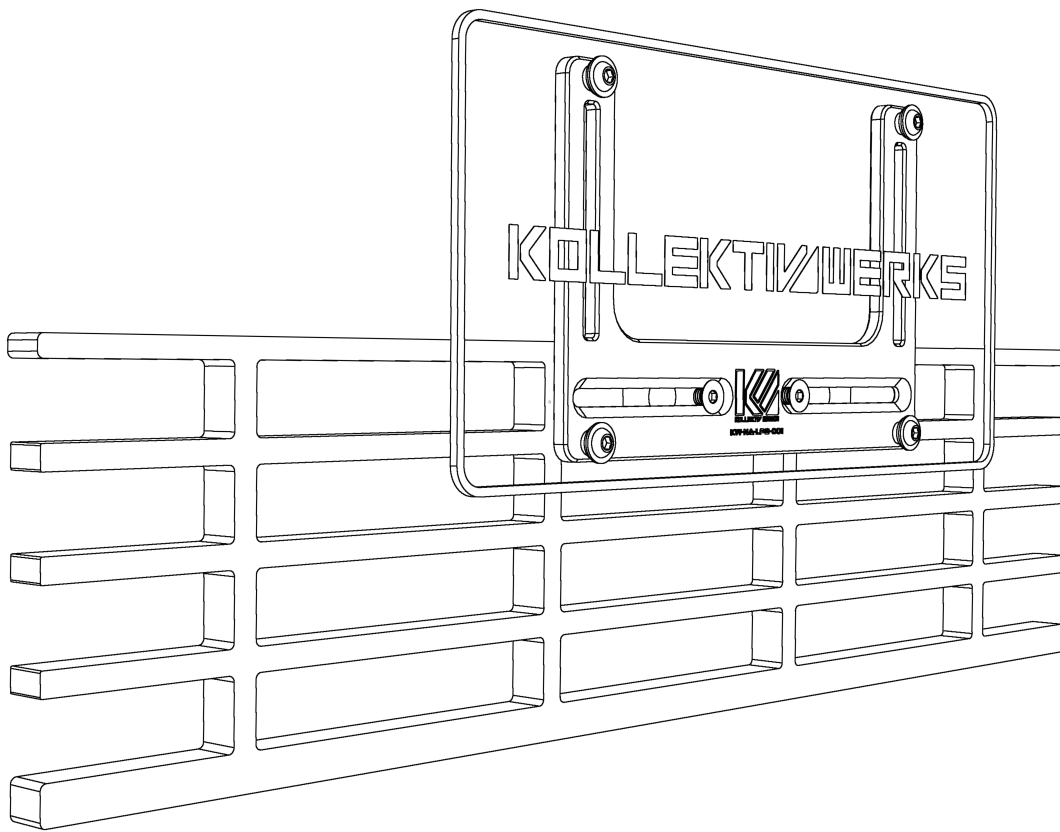
**DO NOT OVER TIGHTEN!!**



- 3** Install license plate to license plate bracket.  
 Install M6x14mm bolts with a license plate cover otherwise use M6x8mm bolts.



#### 4 Enjoy your new KW license plate holder!



For customer support please email [support@kollektivwerks.com](mailto:support@kollektivwerks.com)

