

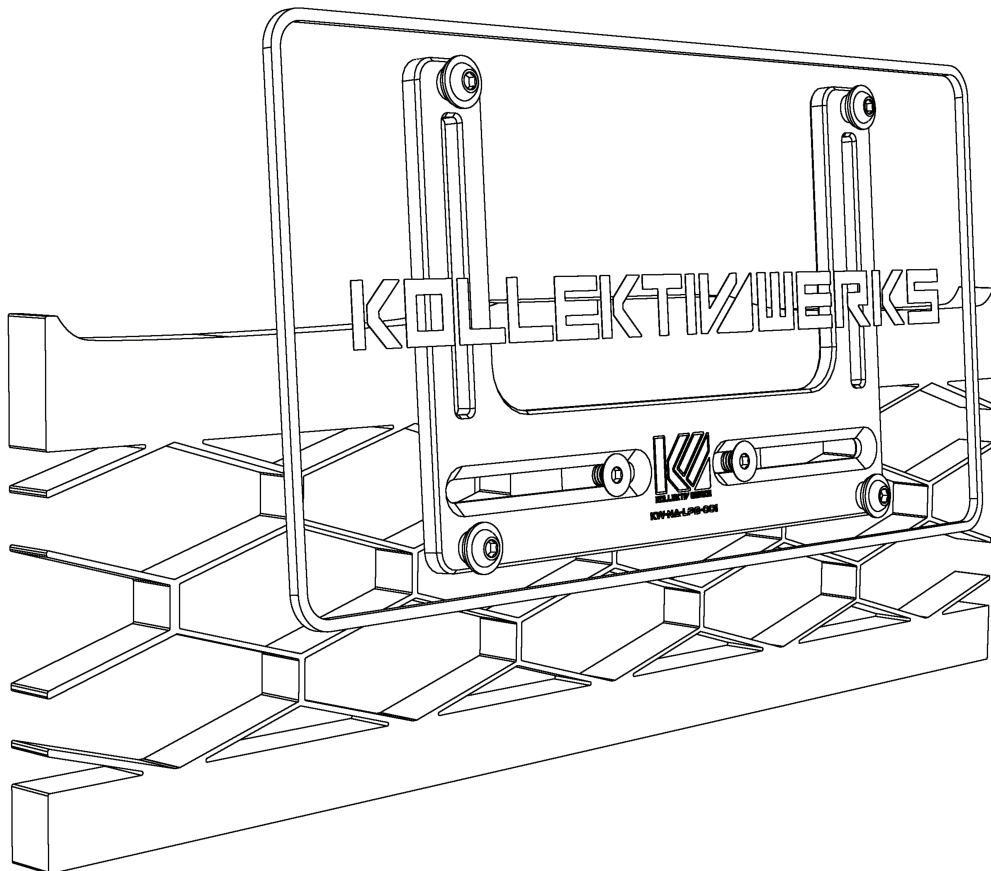


KOLLEKTIVWERKS
NO DRILL CENTER MOUNT LICENCE PLATE HOLDER

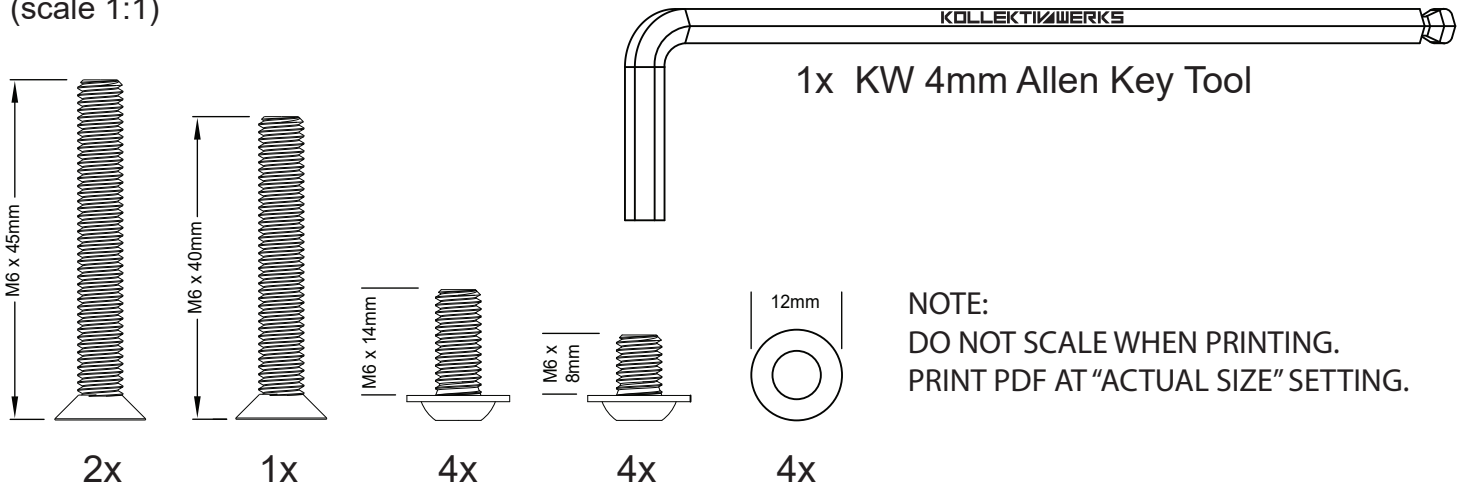
INSTALLATION GUIDE

SKU: VWTAOSB

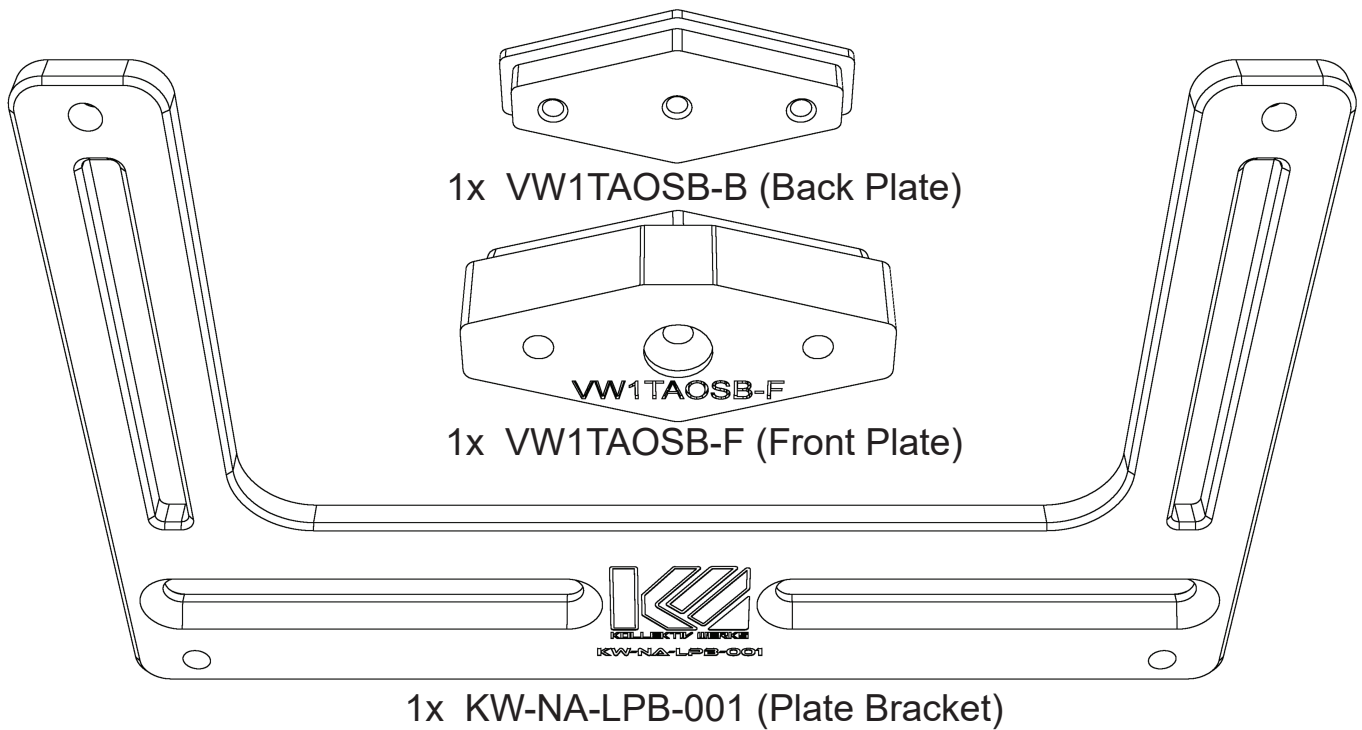
VW MK1 TAOS (2022 +)



Bill of material:
(scale 1:1)



Component list:
(not to scale)

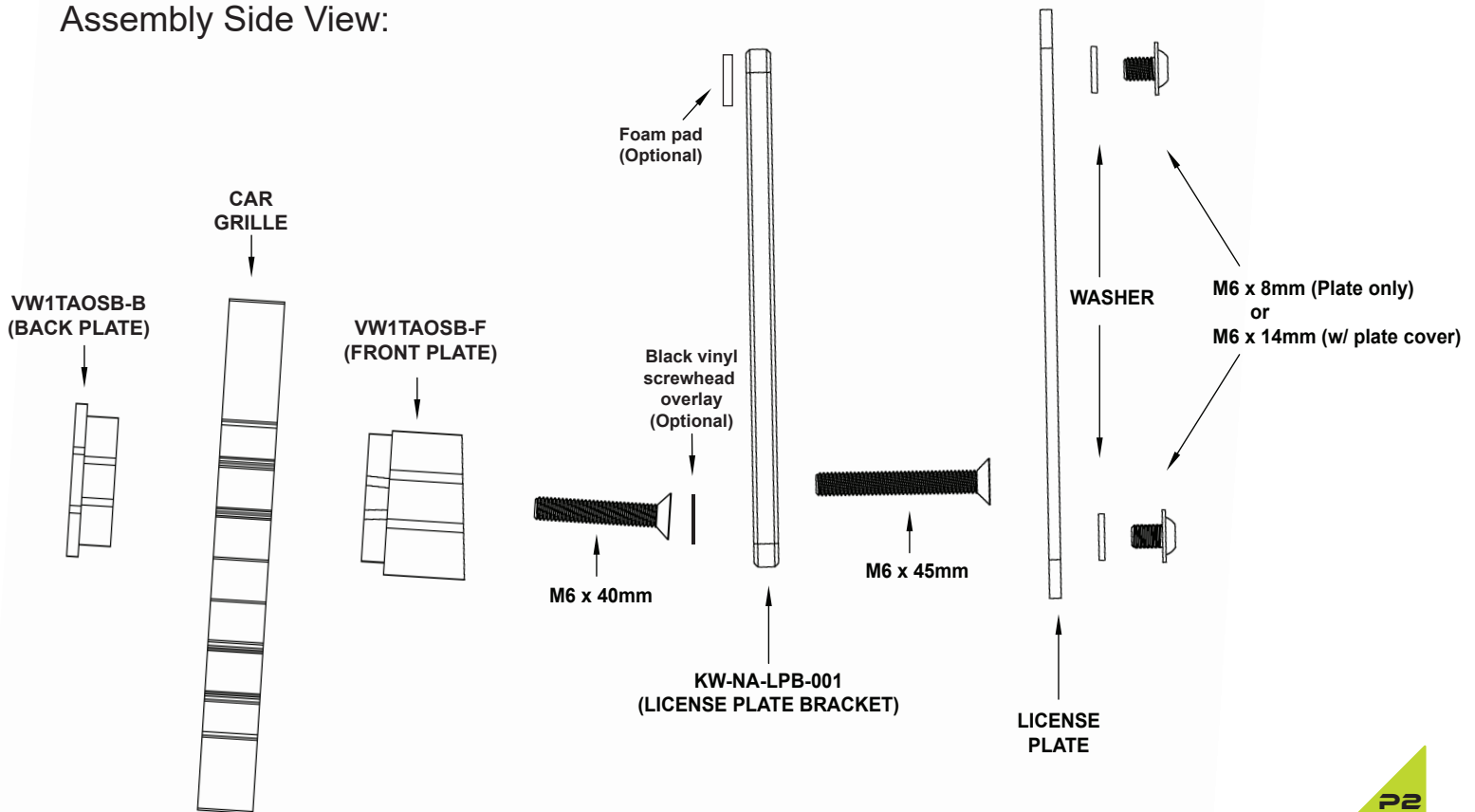


IMPORTANT!

To be installed in highlighted location only!

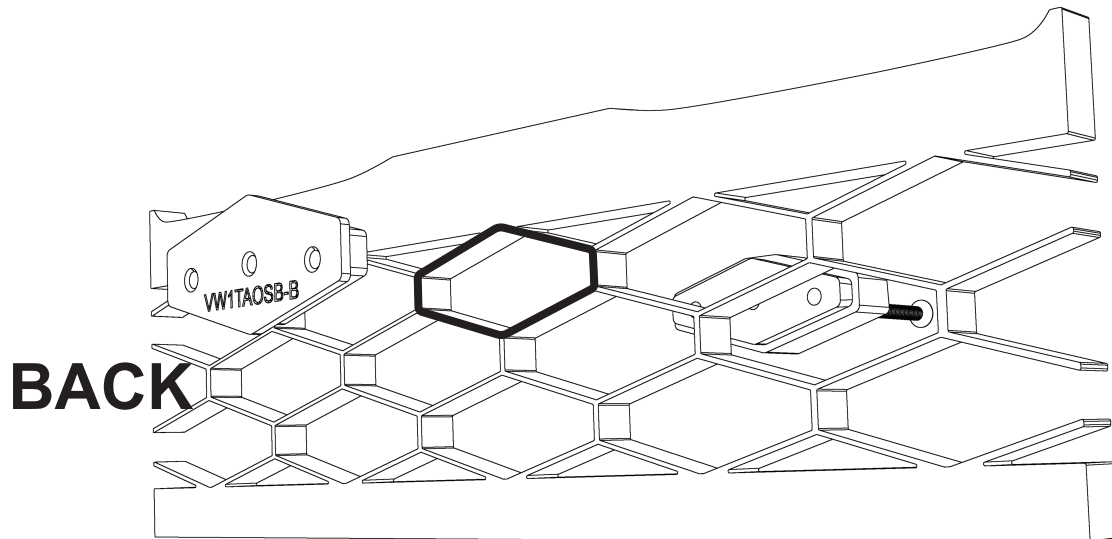
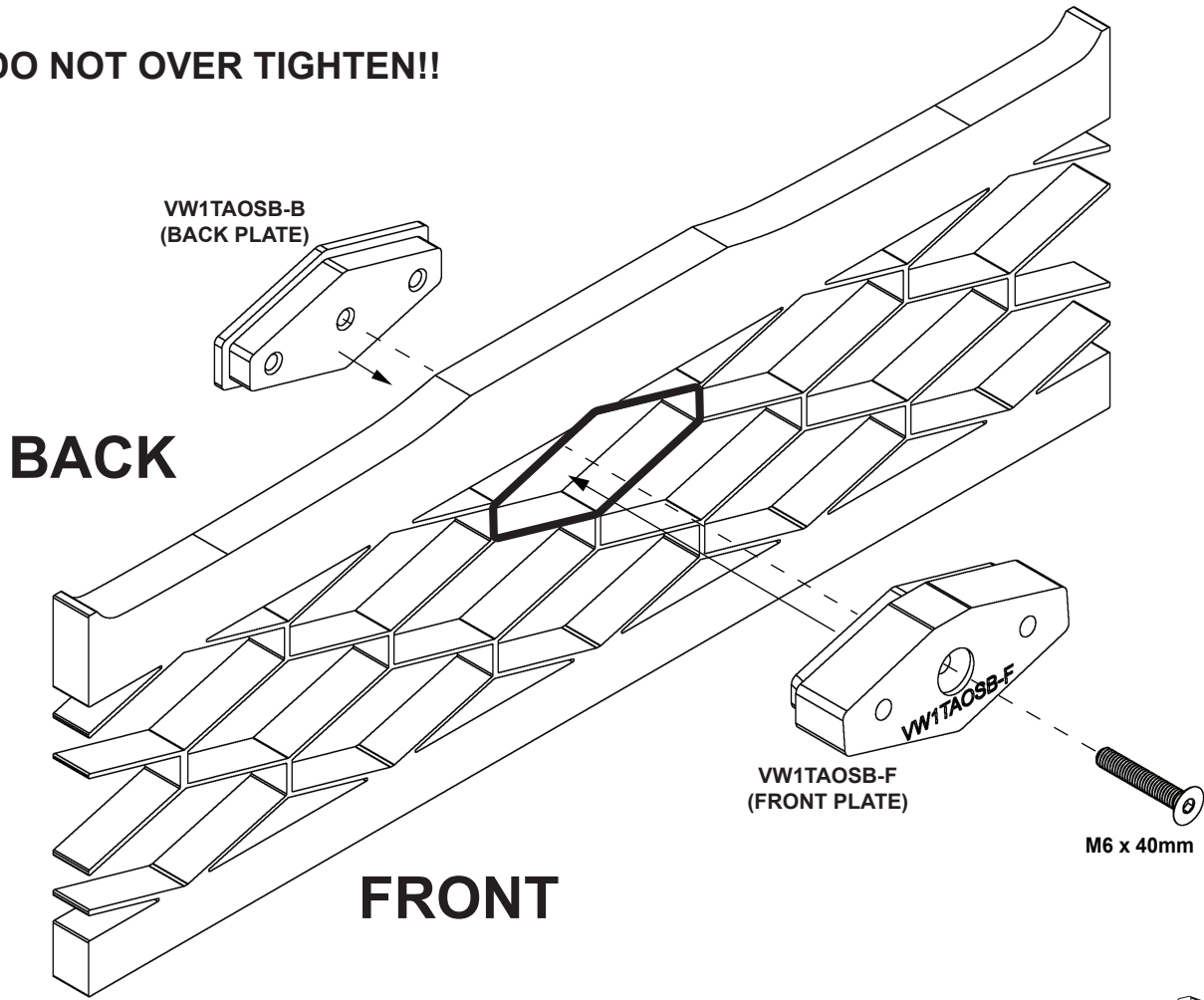


Assembly Side View:



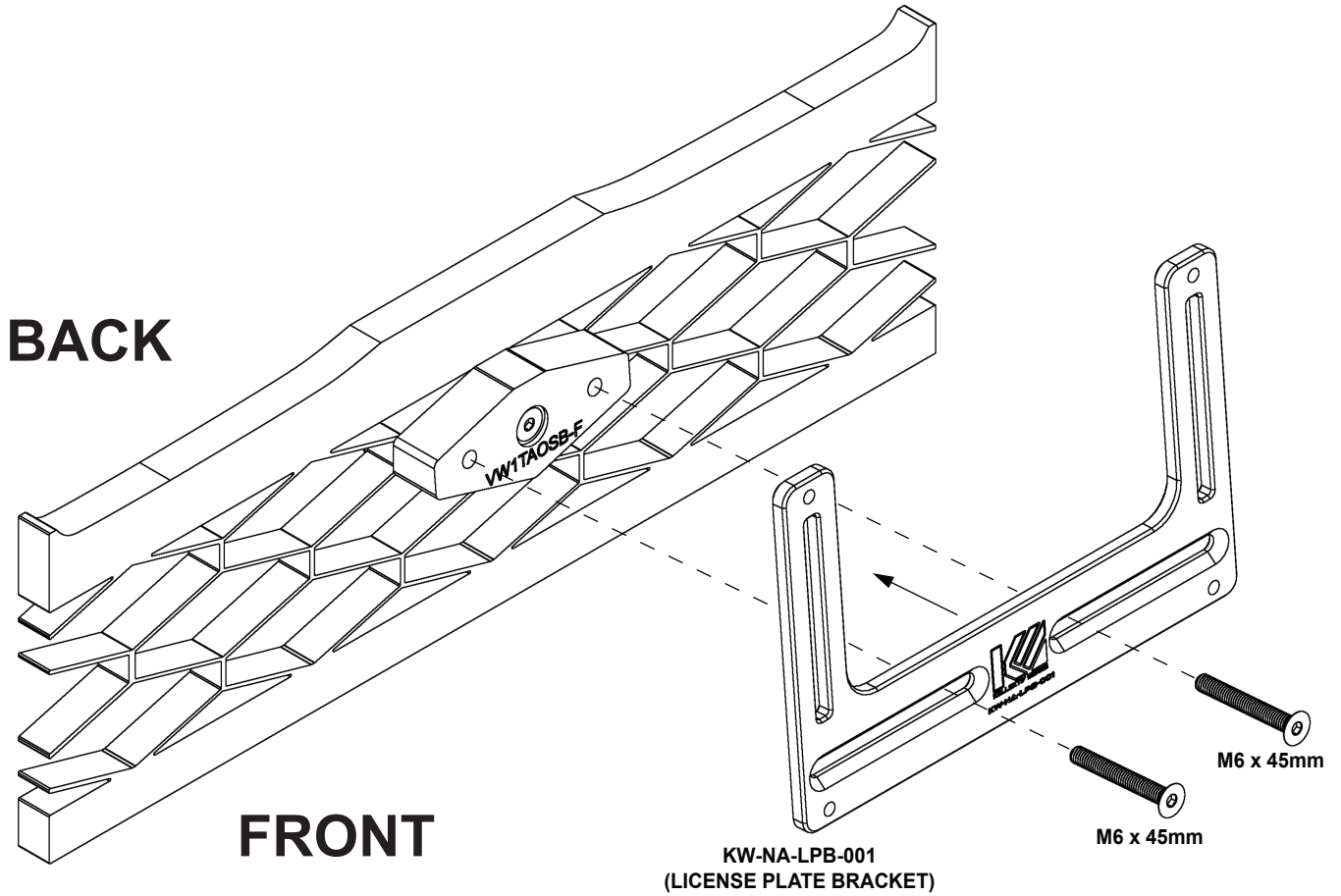
- 1 Insert back plate into the grille and bolt together with front plate. Ensure writing is upright .

DO NOT OVER TIGHTEN!!

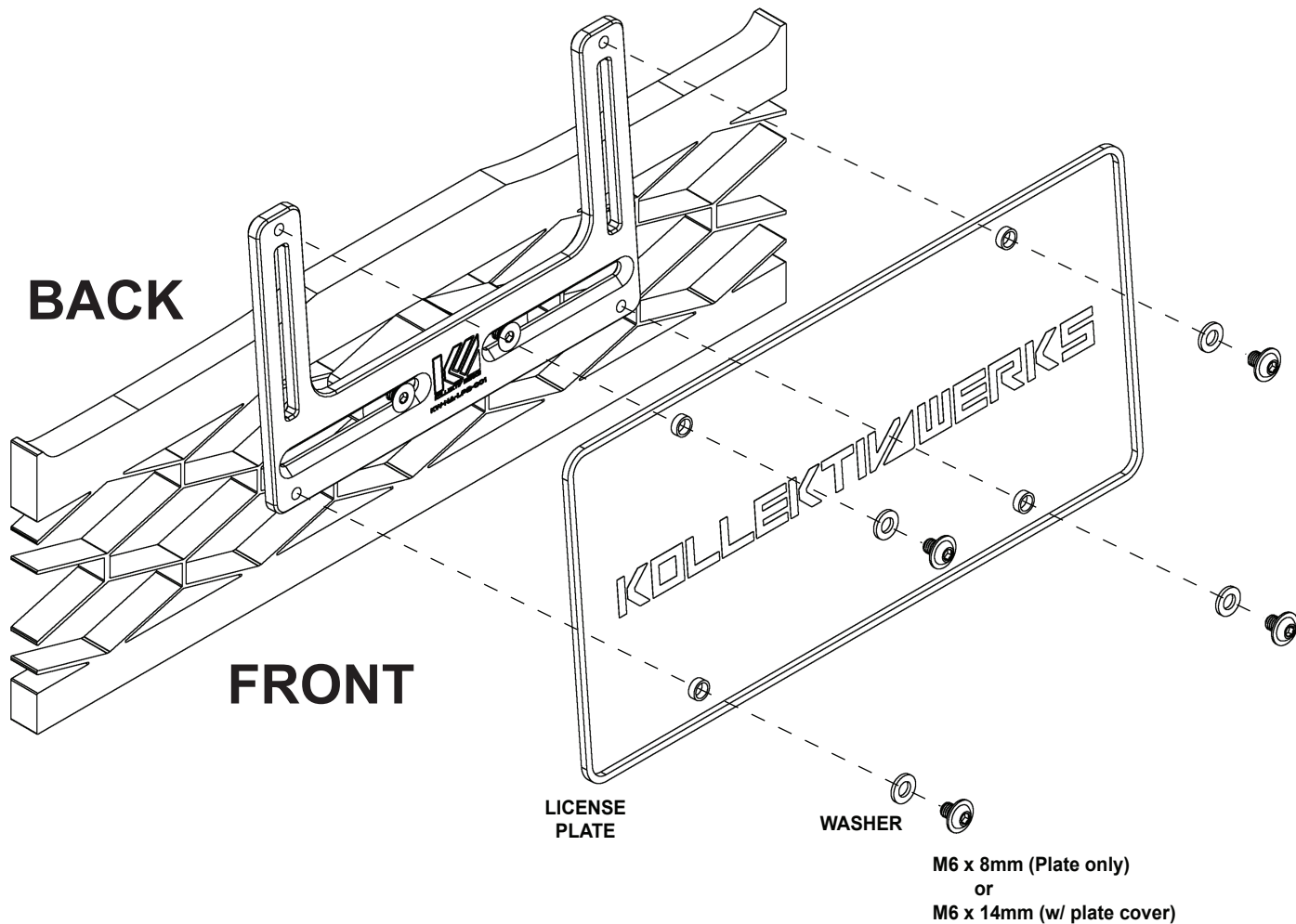


2 Install spacer and bracket as shown. Center bracket and tighten.
Ensure writing is upright.

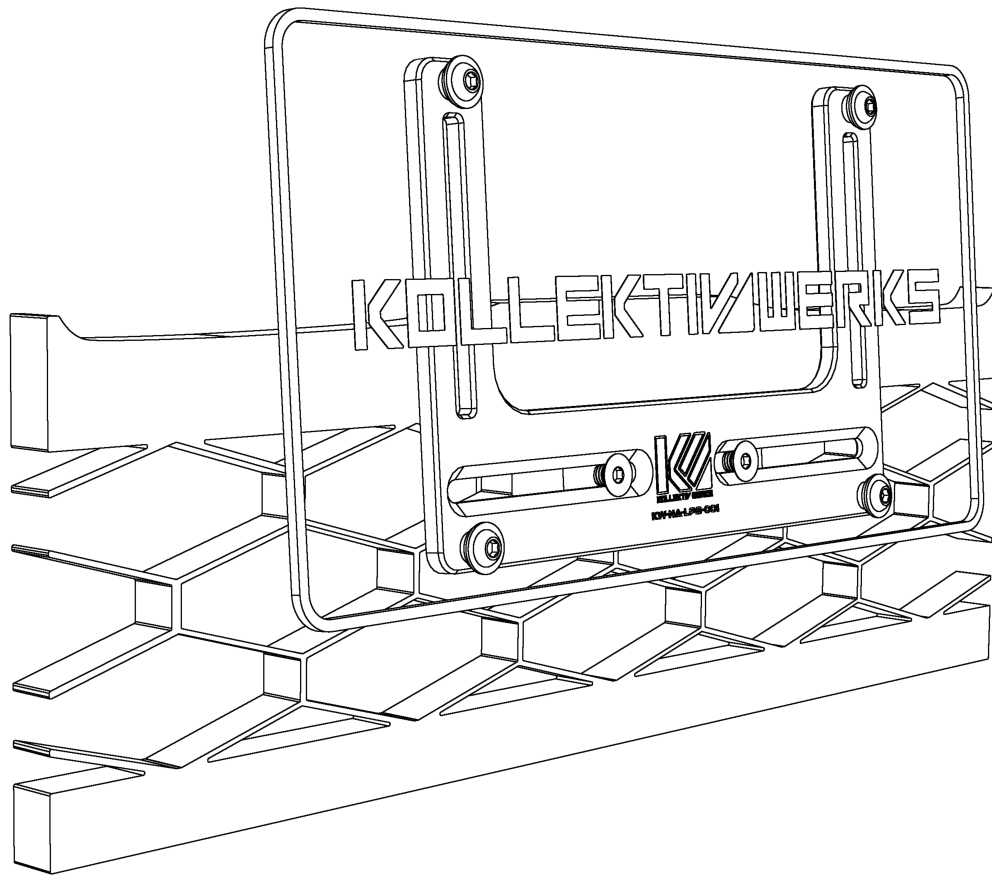
DO NOT OVER TIGHTEN!!



- 3** Install license plate to license plate bracket.
Install M6x14mm bolts with a license plate cover otherwise use
M6x8mm bolts.



4 Enjoy your new KW license plate holder!



For customer support please email support@kollektivwerks.com

