



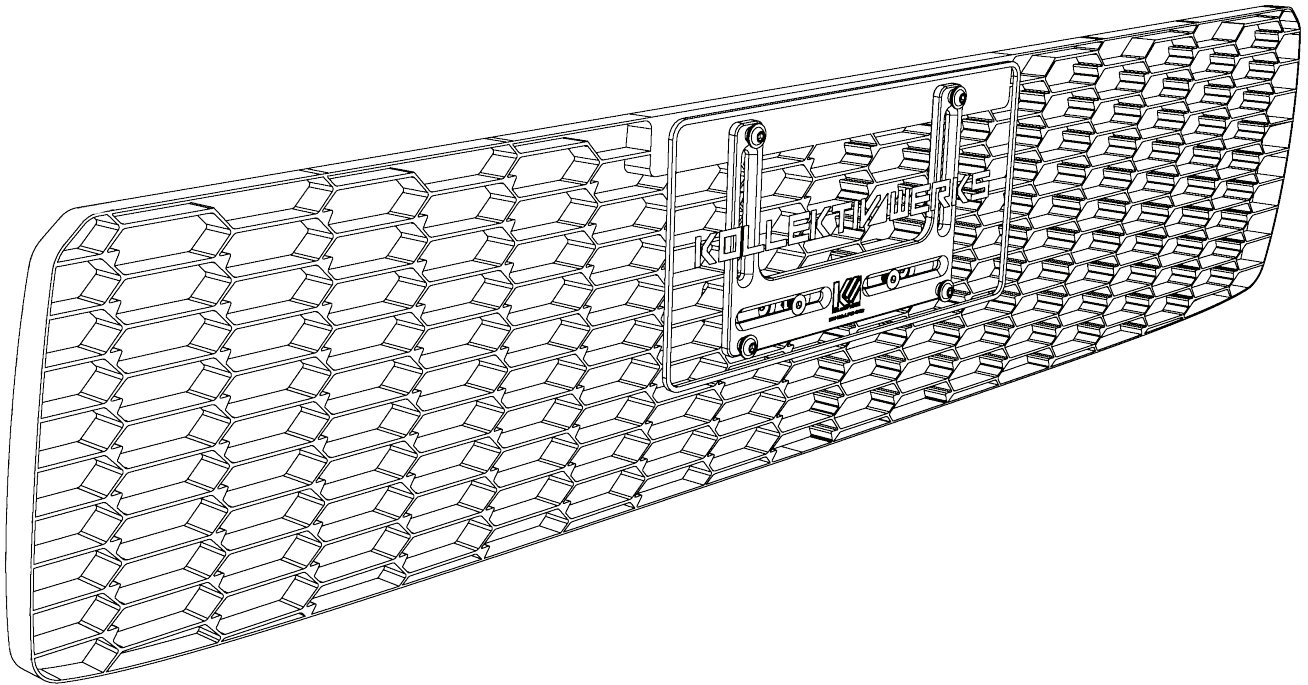
KOLLEKTIVWERKS
NO DRILL CENTER MOUNT LICENCE PLATE HOLDER

INSTALLATION GUIDE

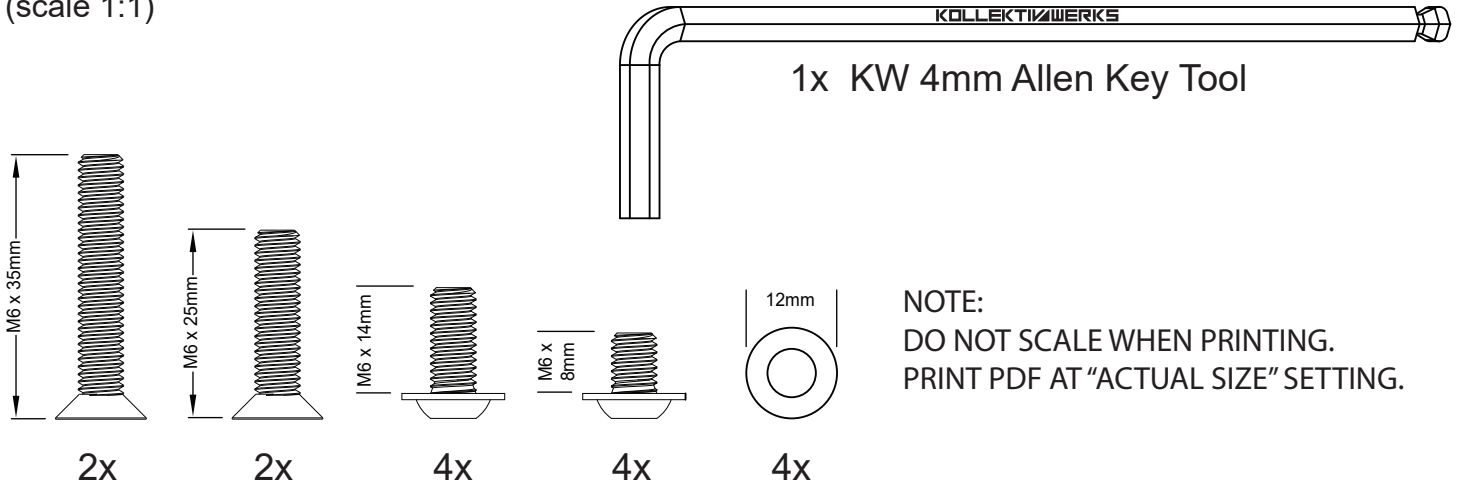
SKU: TOYZN8B

TOYOTA GR86

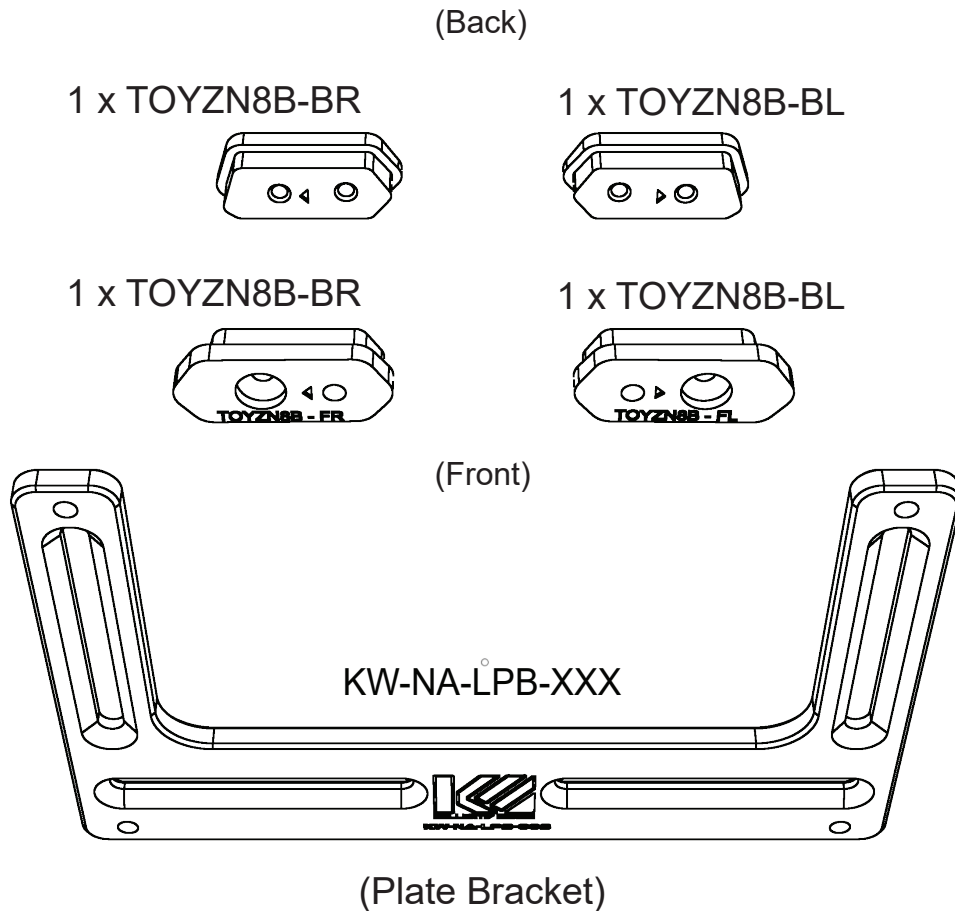
(ZN8 2021+)



Bill of material:
(scale 1:1)



Component list:
(not to scale)

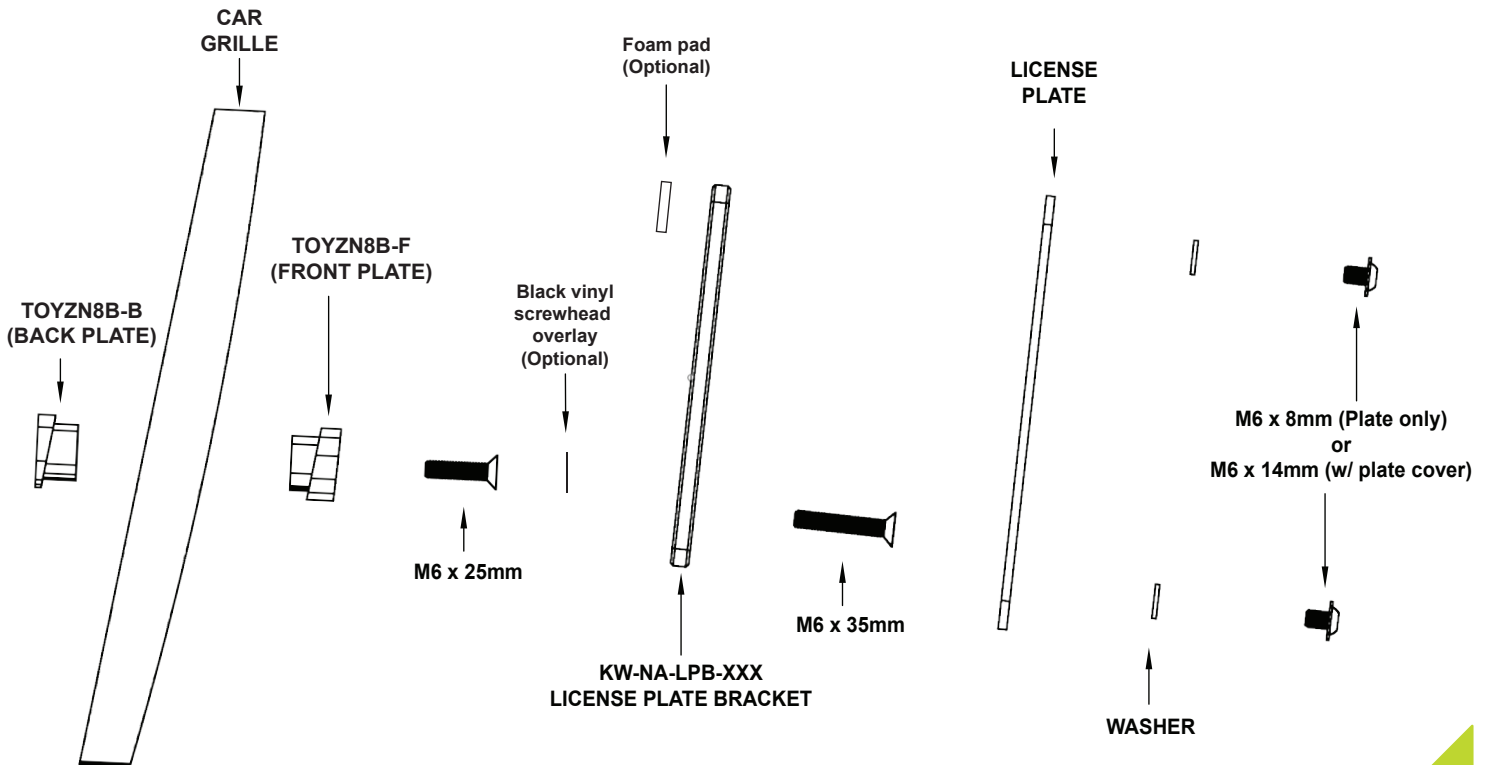


IMPORTANT!

To be installed in highlighted location only!

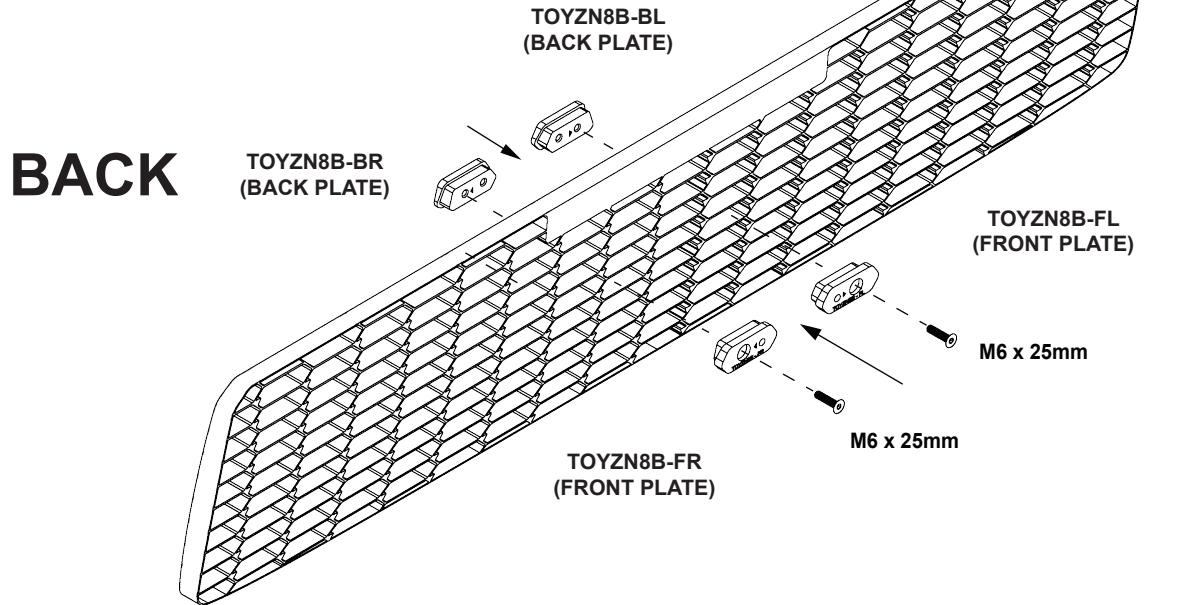


Assembly Side View:

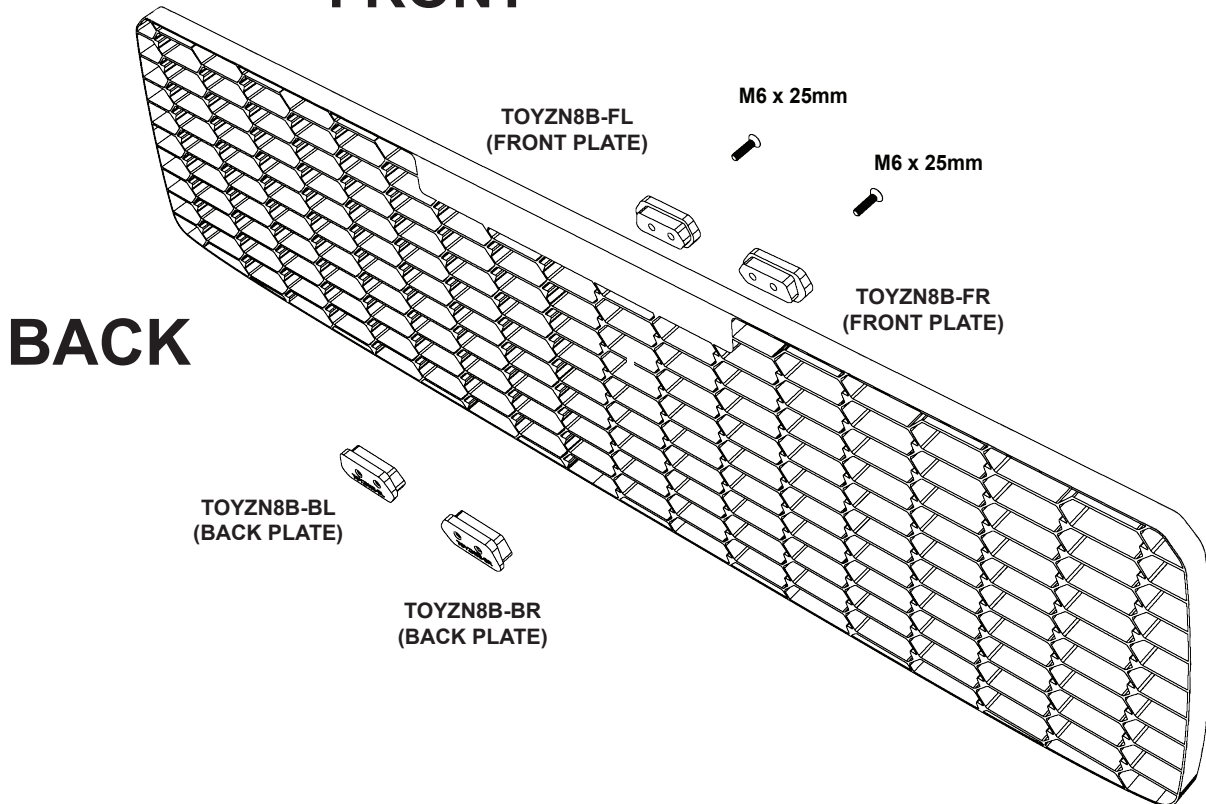


- 1 Insert back plate into the grille and bolt together with front plate. Ensure writing is upright and the arrows point to the outside.

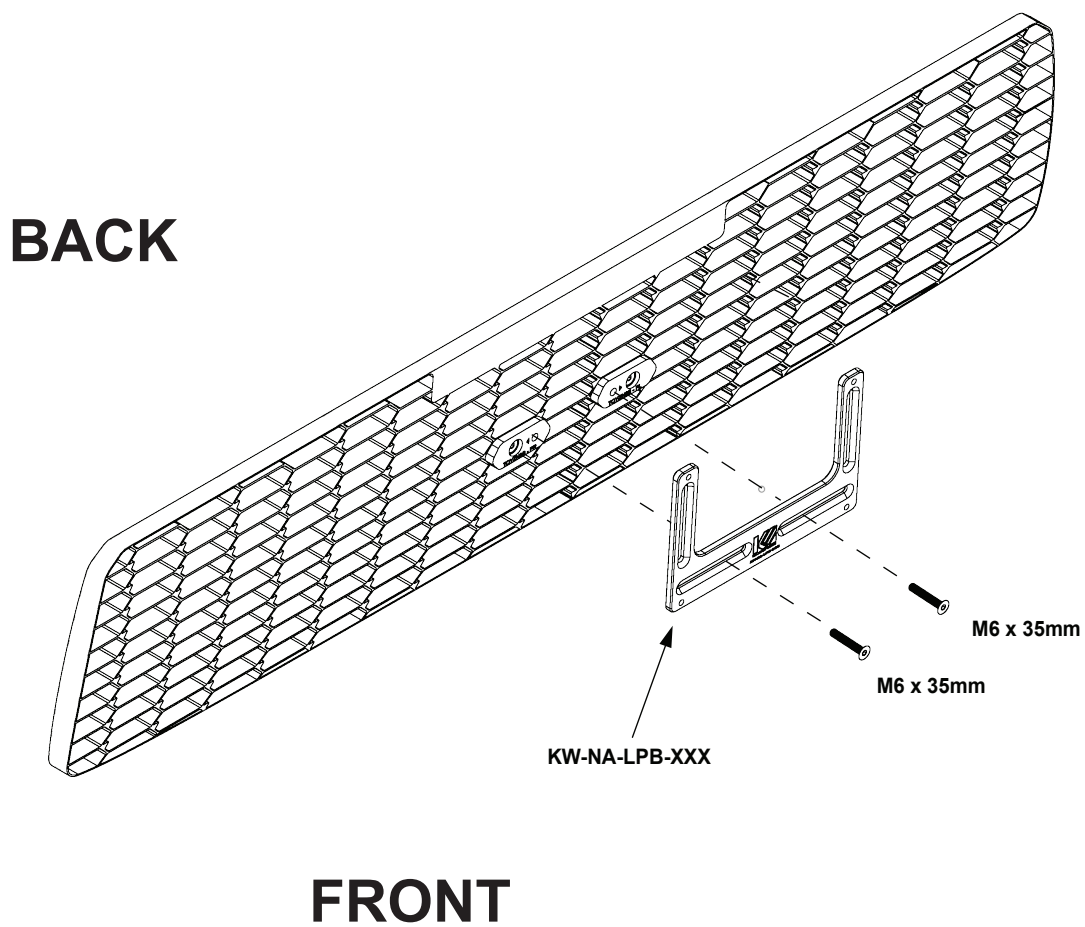
DO NOT USE POWER TOOL!!
DO NOT OVER TIGHTEN!!



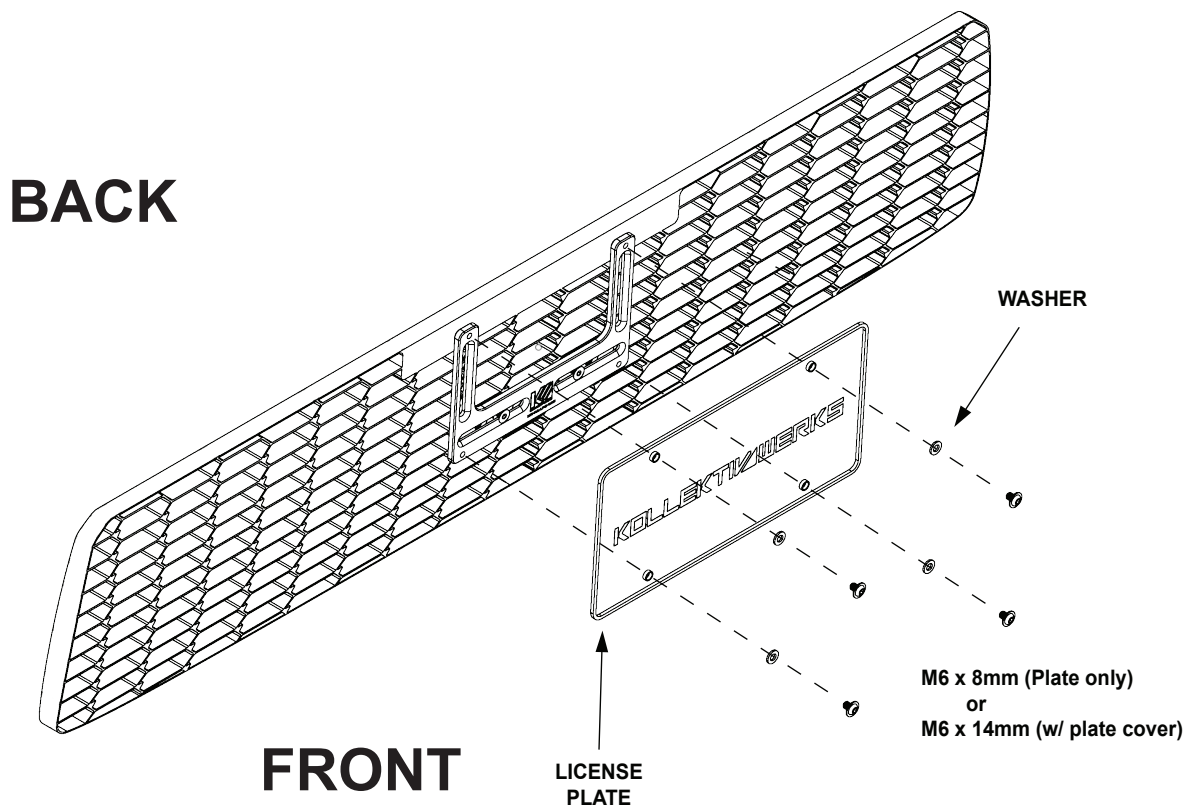
FRONT



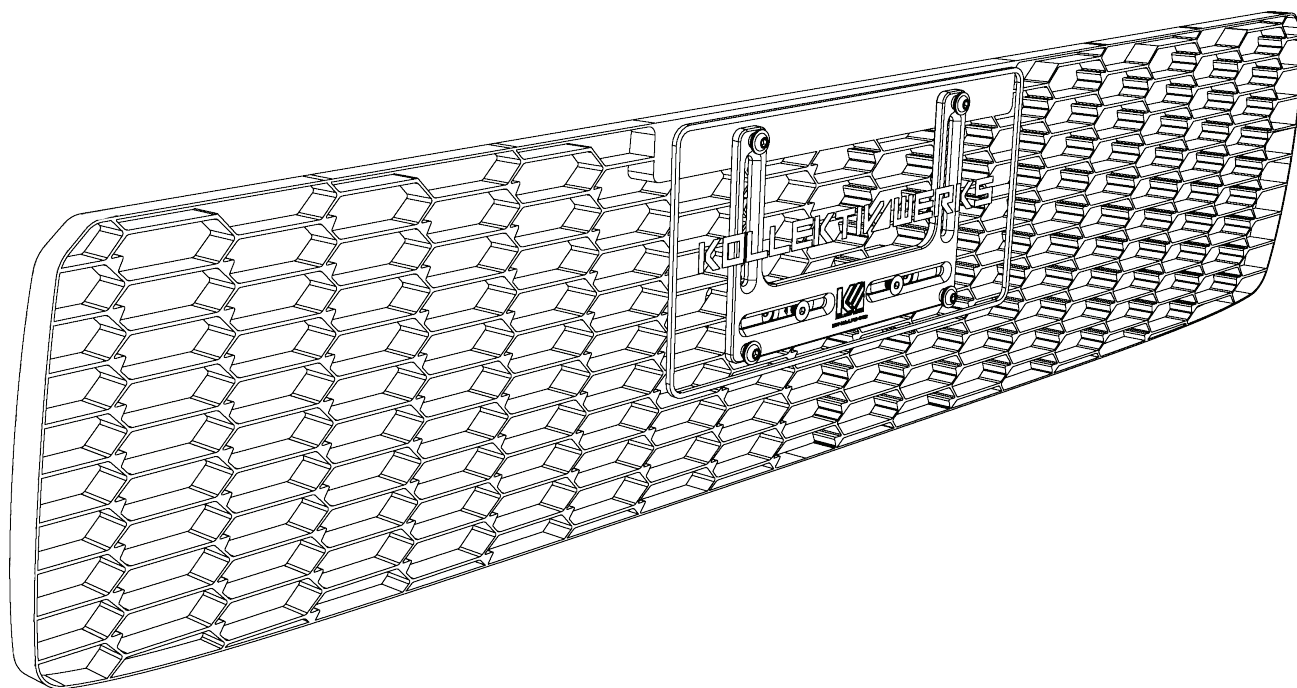
- 2** Install bracket as shown. Center bracket and tighten.
Ensure writing is upright.



- 3** Install license plate to license plate bracket.
Install M6x14mm bolts with a license plate cover otherwise use
M6x8mm bolts.



3 Enjoy your new KW license plate holder!



For customer support please email support@kollektivwerks.com

