

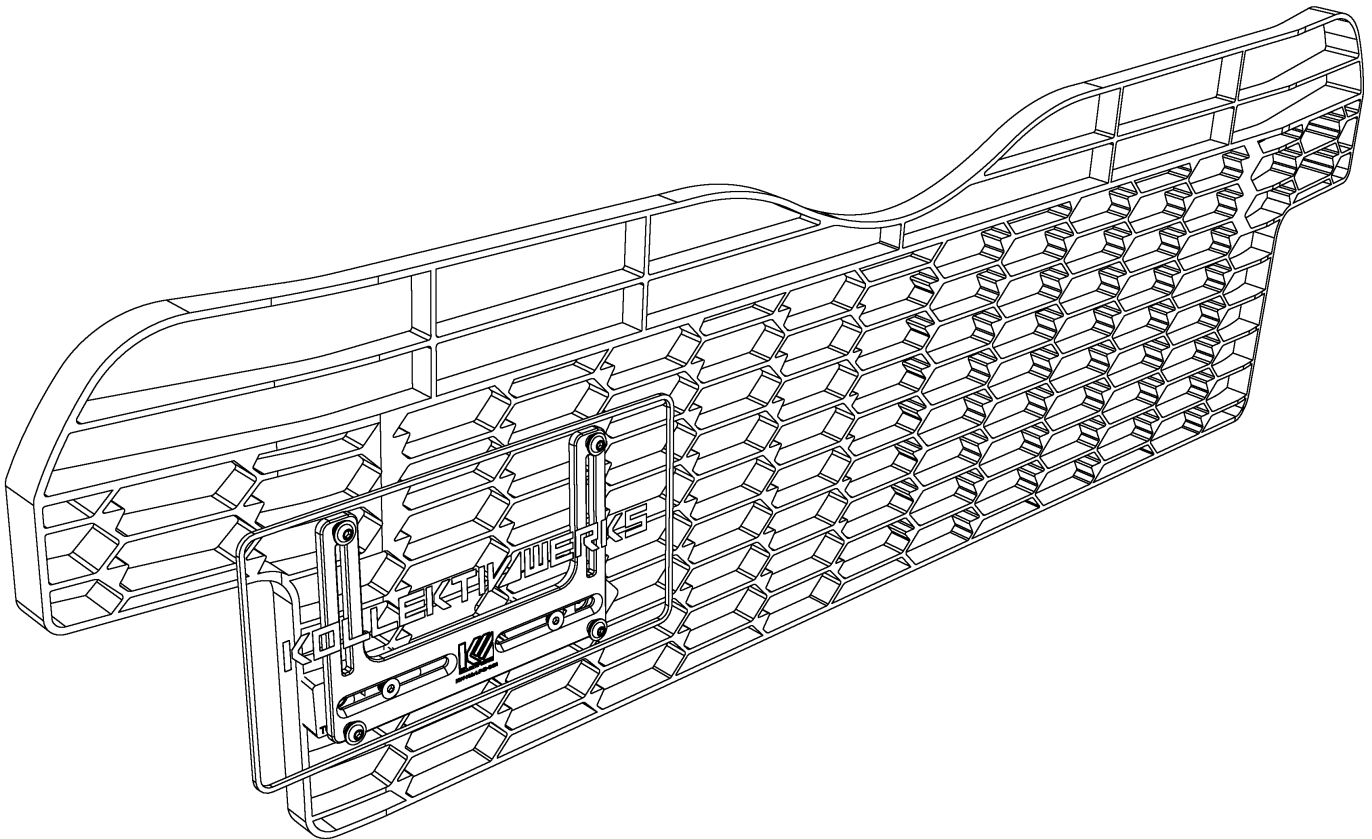


KOLLEKTIVWERKS
NO DRILL CENTER MOUNT LICENCE PLATE HOLDER

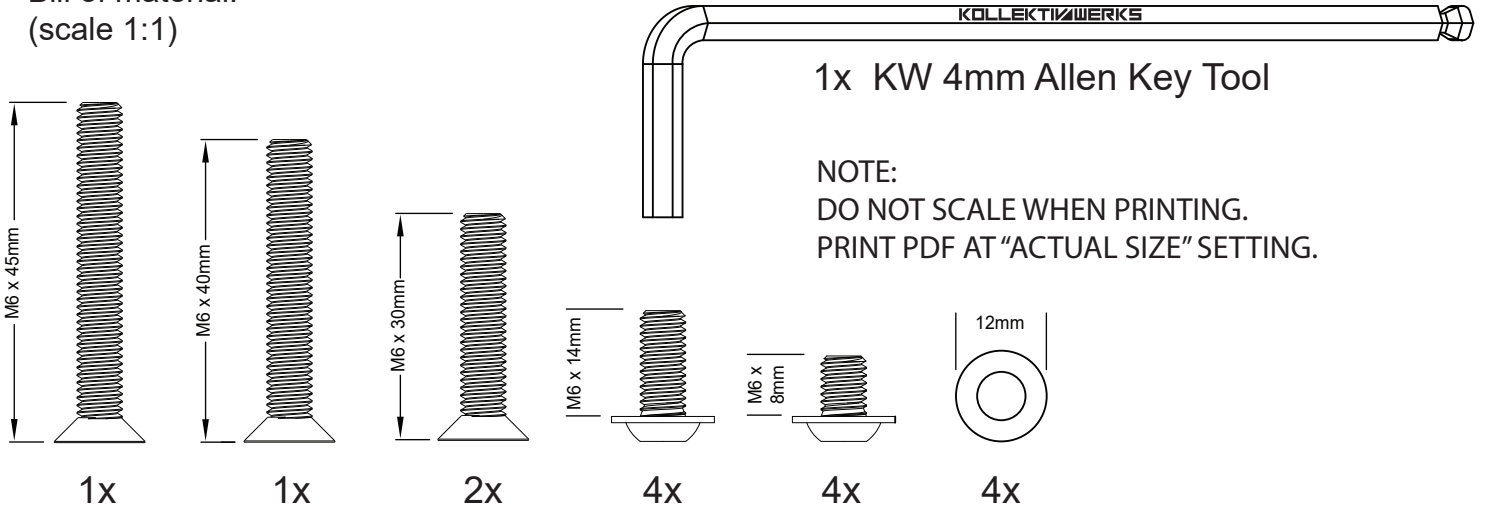
INSTALLATION GUIDE

SKU: TOYE210CGRBS

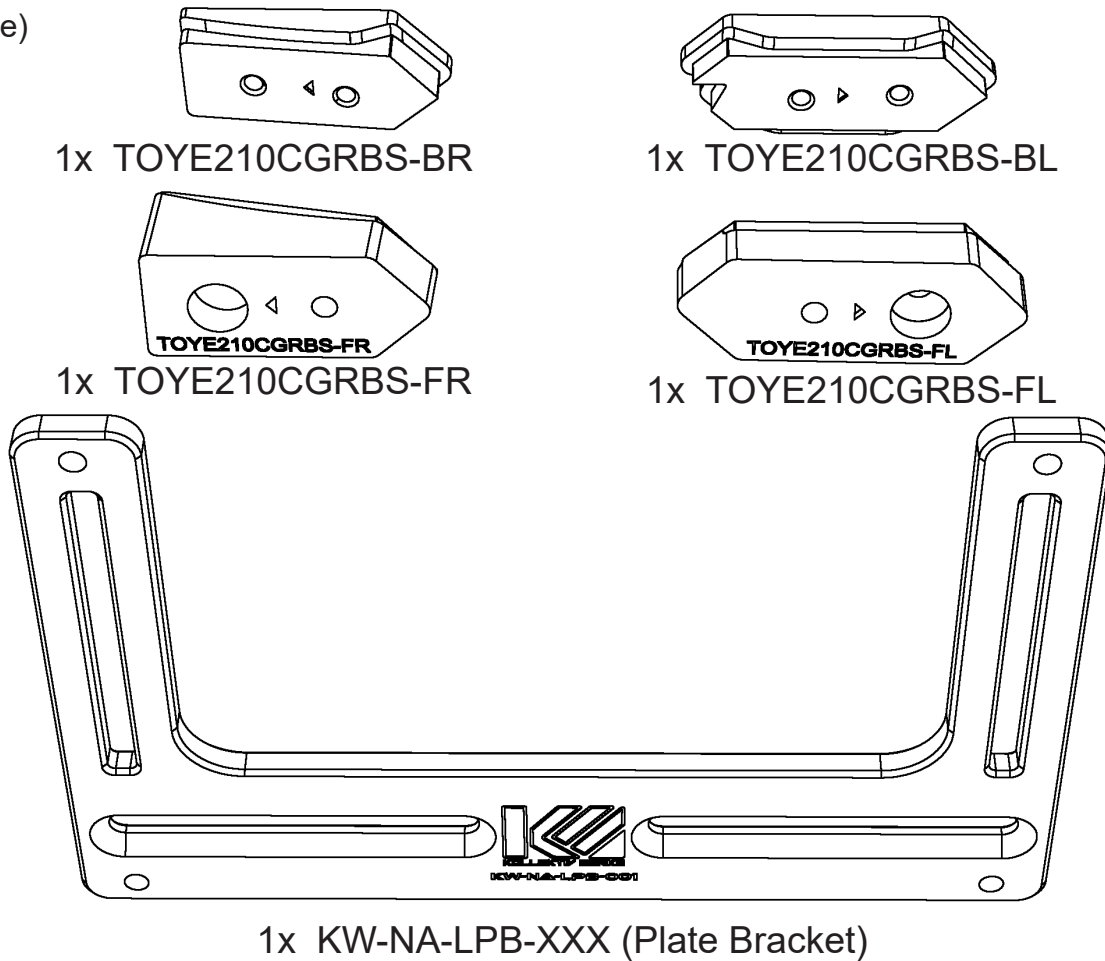
TOYOTA E210 GR COROLLA (RIGHT-SIDE MOUNT)



Bill of material:
(scale 1:1)

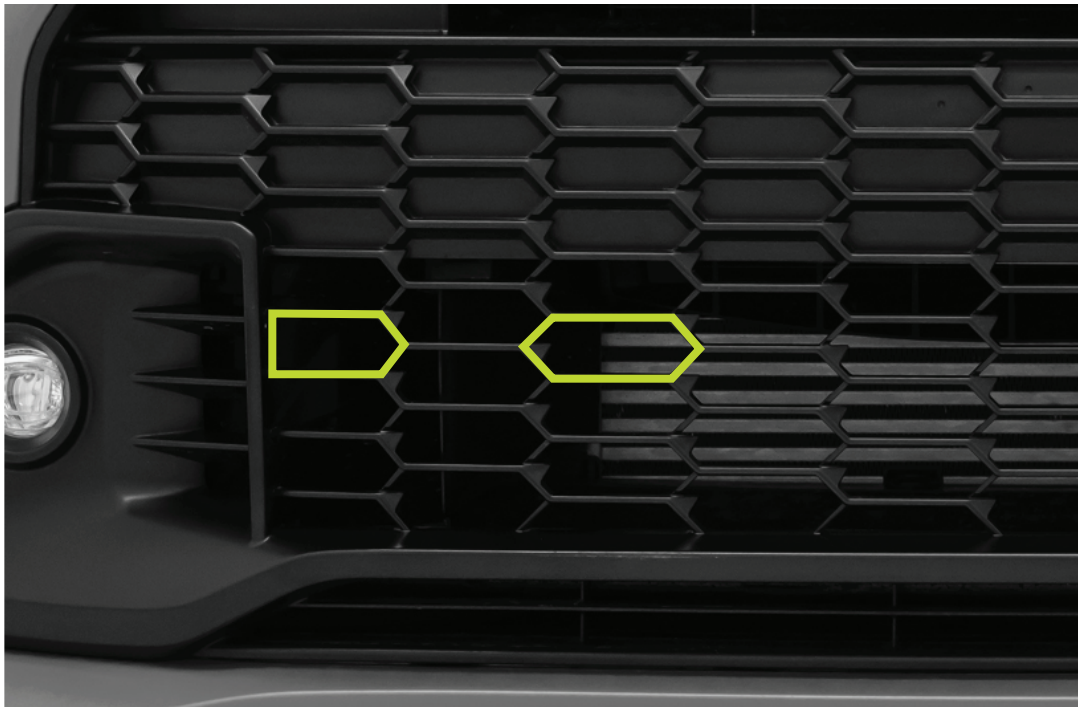


Component list:
(not to scale)

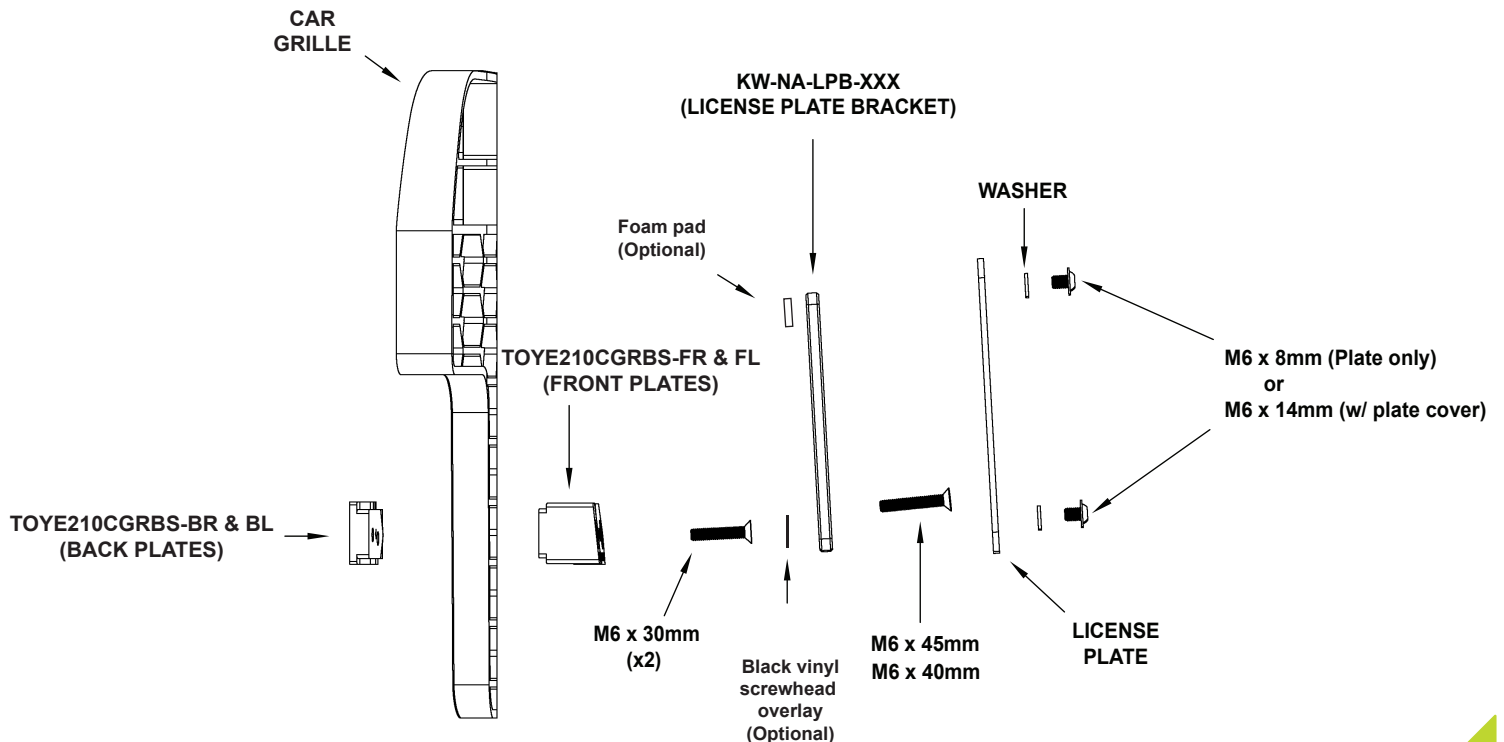


IMPORTANT!

To be installed in highlighted location only!

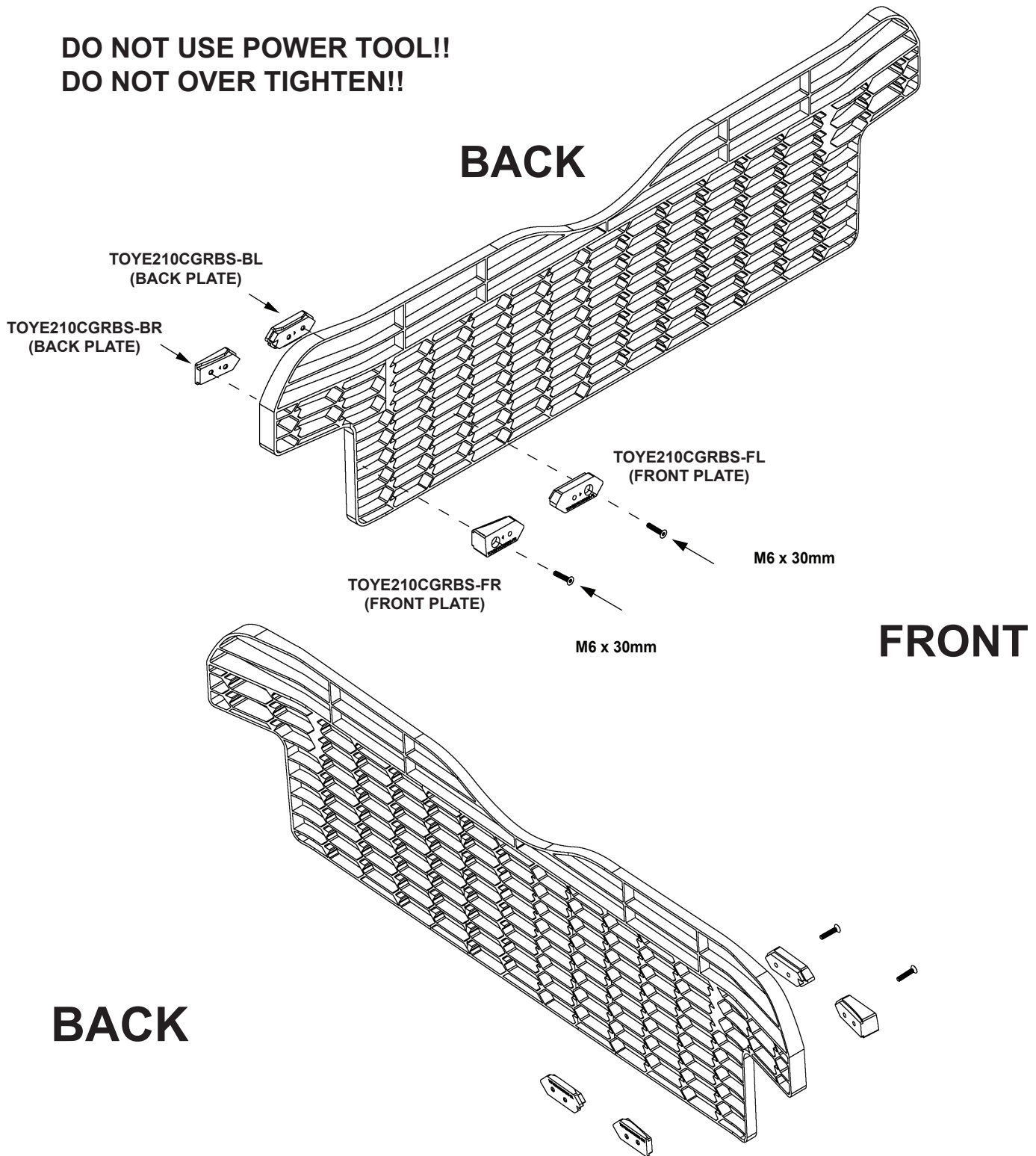


Assembly Side View:



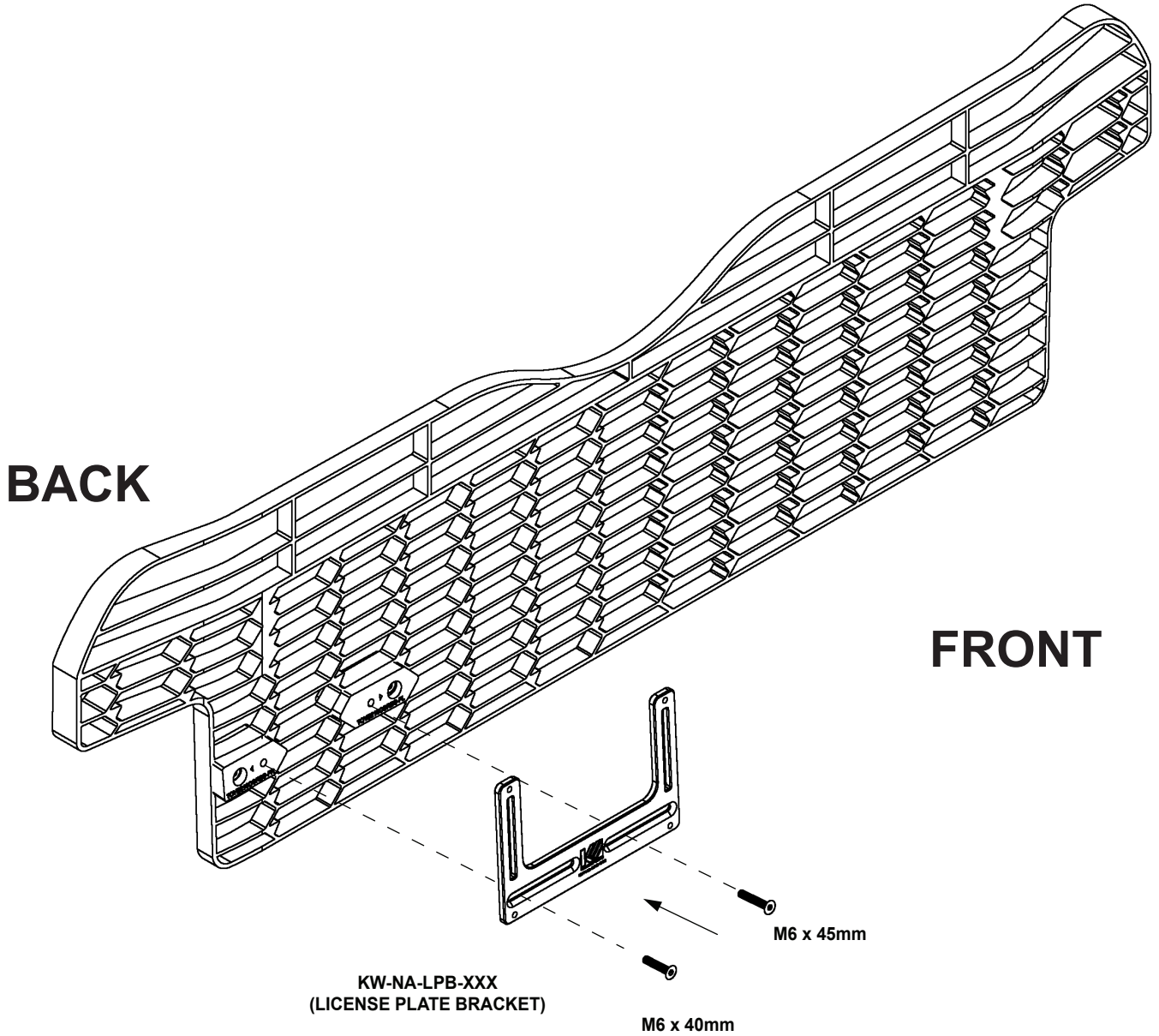
- 1 Insert back plates into the grille and bolt together with front plates. Ensure writing is upright and proper arrow orientation.

DO NOT USE POWER TOOL!!
DO NOT OVER TIGHTEN!!



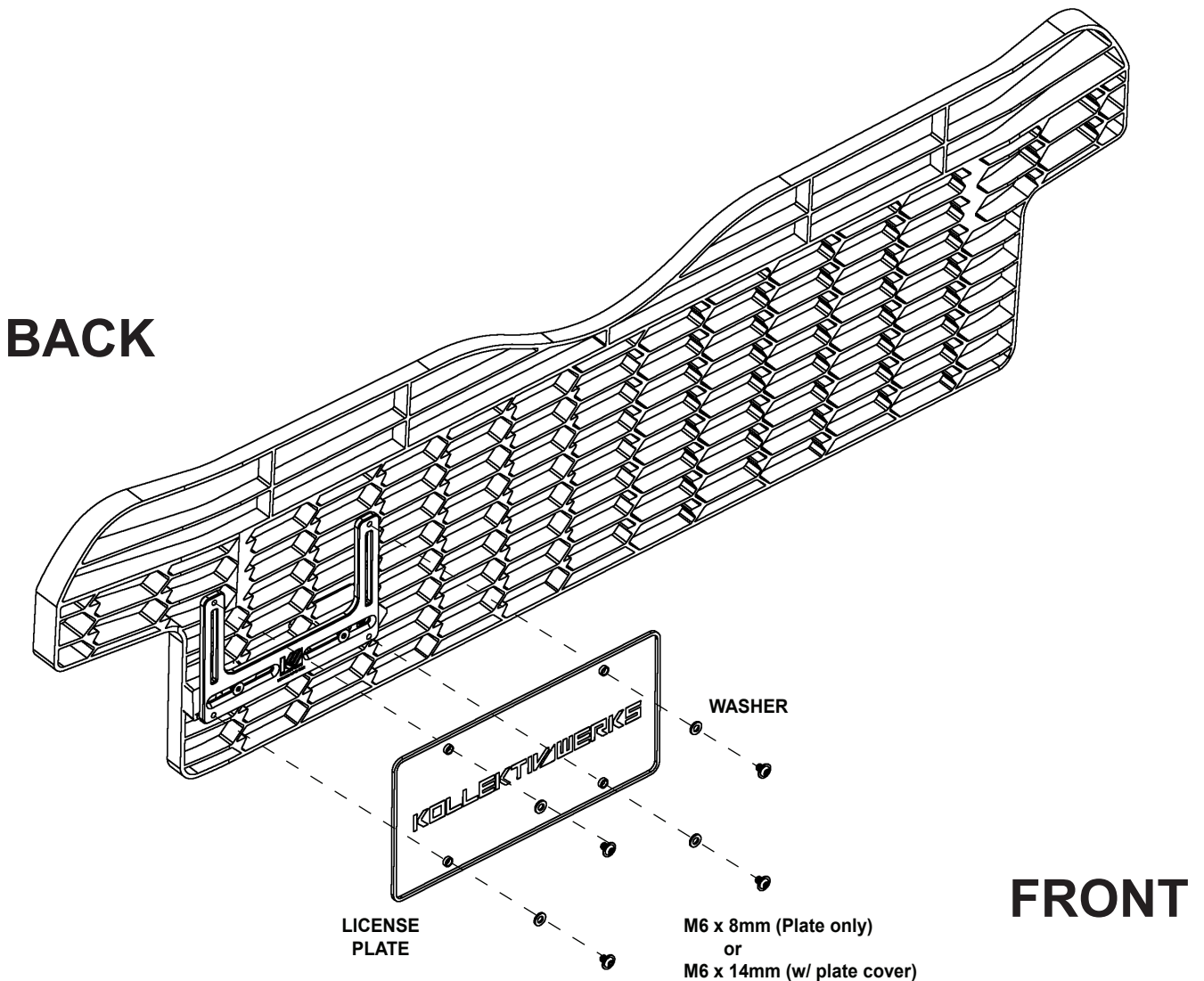
2 Install bracket as shown. Center bracket and tighten.
Ensure writing is upright.

DO NOT USE POWER TOOL!!
DO NOT OVER TIGHTEN!!

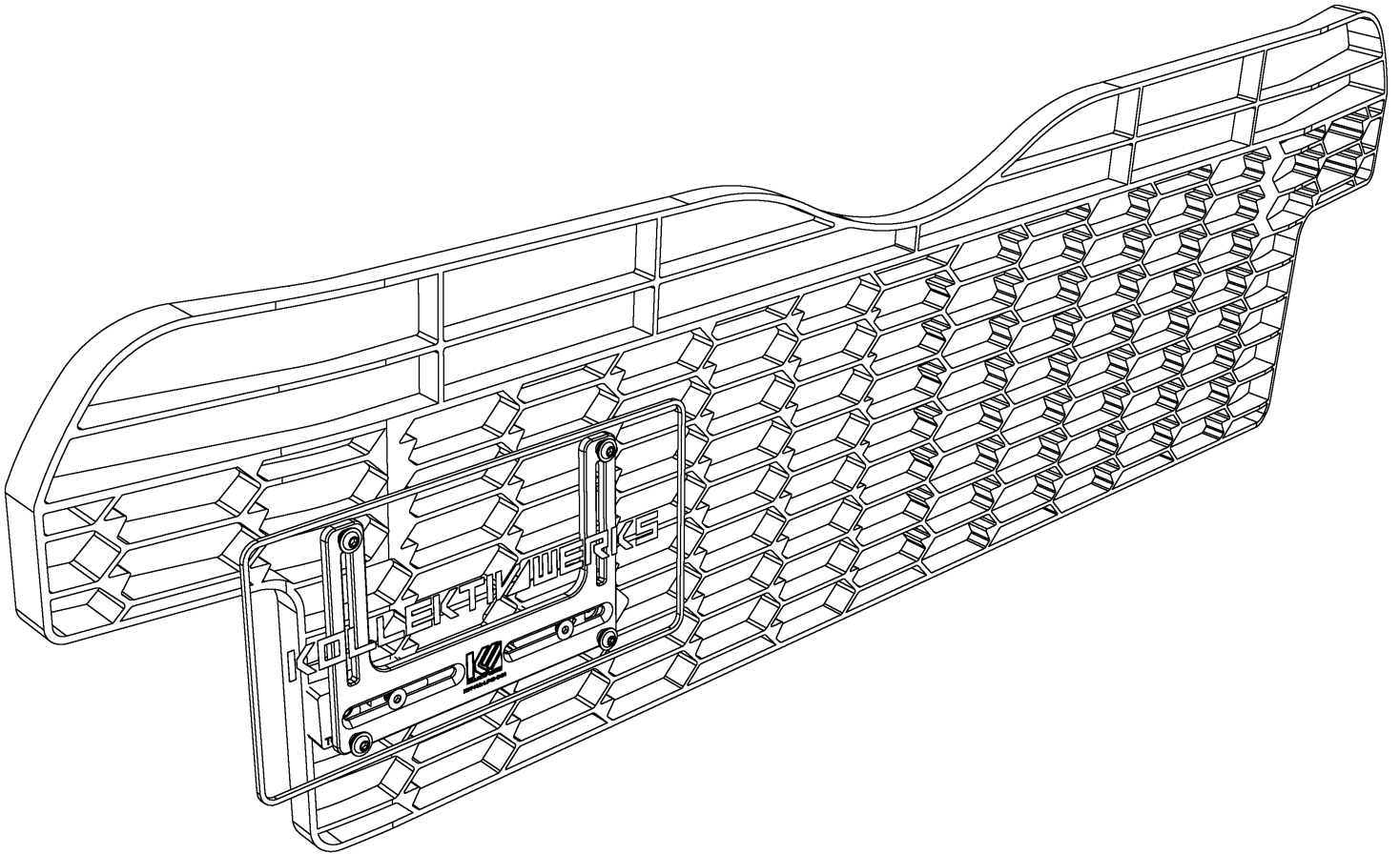


- 3** Install license plate to license plate bracket.
 Install M6x14mm bolts with a license plate cover otherwise use
 M6x8mm bolts.

NOTE: Use a thin coat of anti-sieze on the bolts
 during the winter season to protect from
 possible siezing /oxidation from the salts.



4 Enjoy your new KW license plate holder!



For customer support please email support@kollektivwerks.com

