

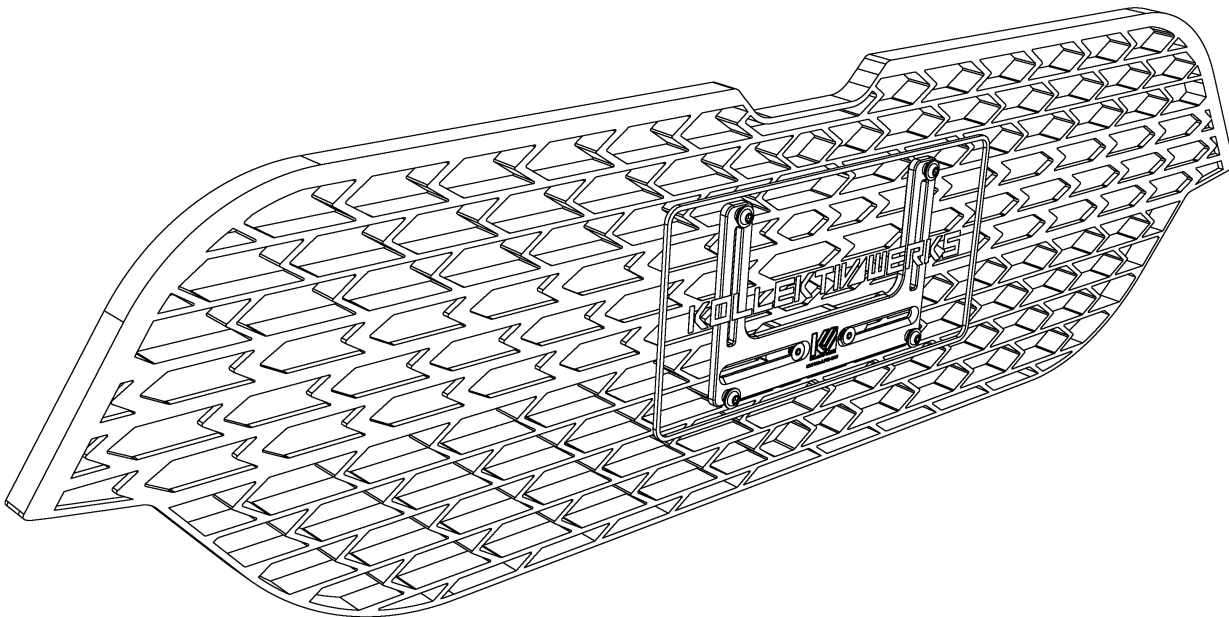


KOLLEKTIVWERKS
NO DRILL CENTER MOUNT LICENCE PLATE HOLDER

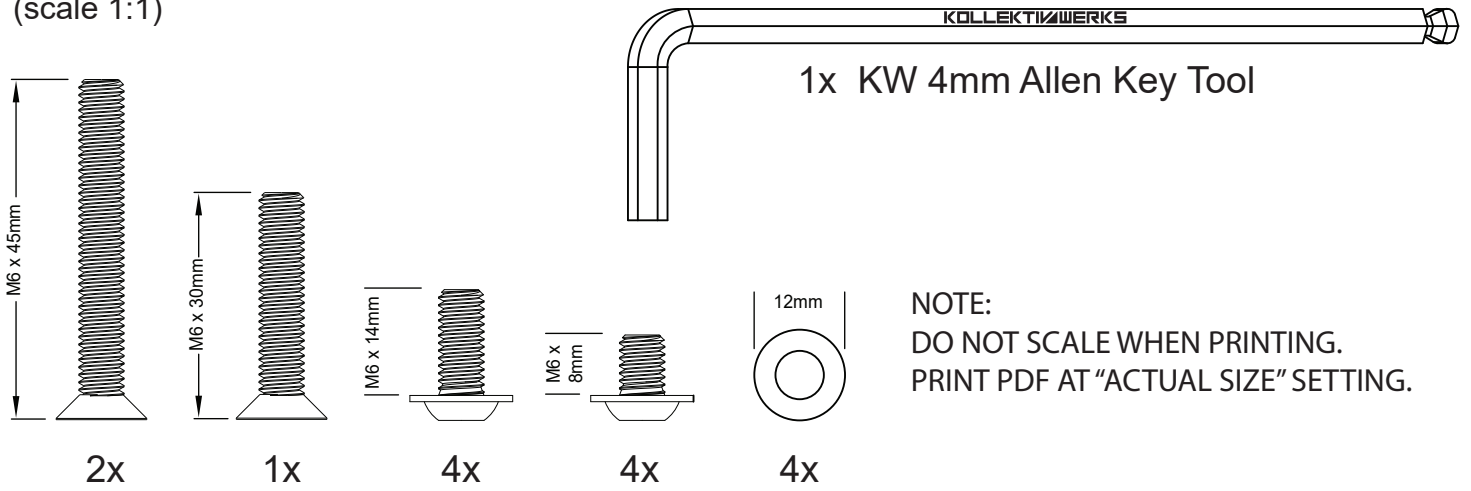
INSTALLATION GUIDE

SKU: TOYE210CB

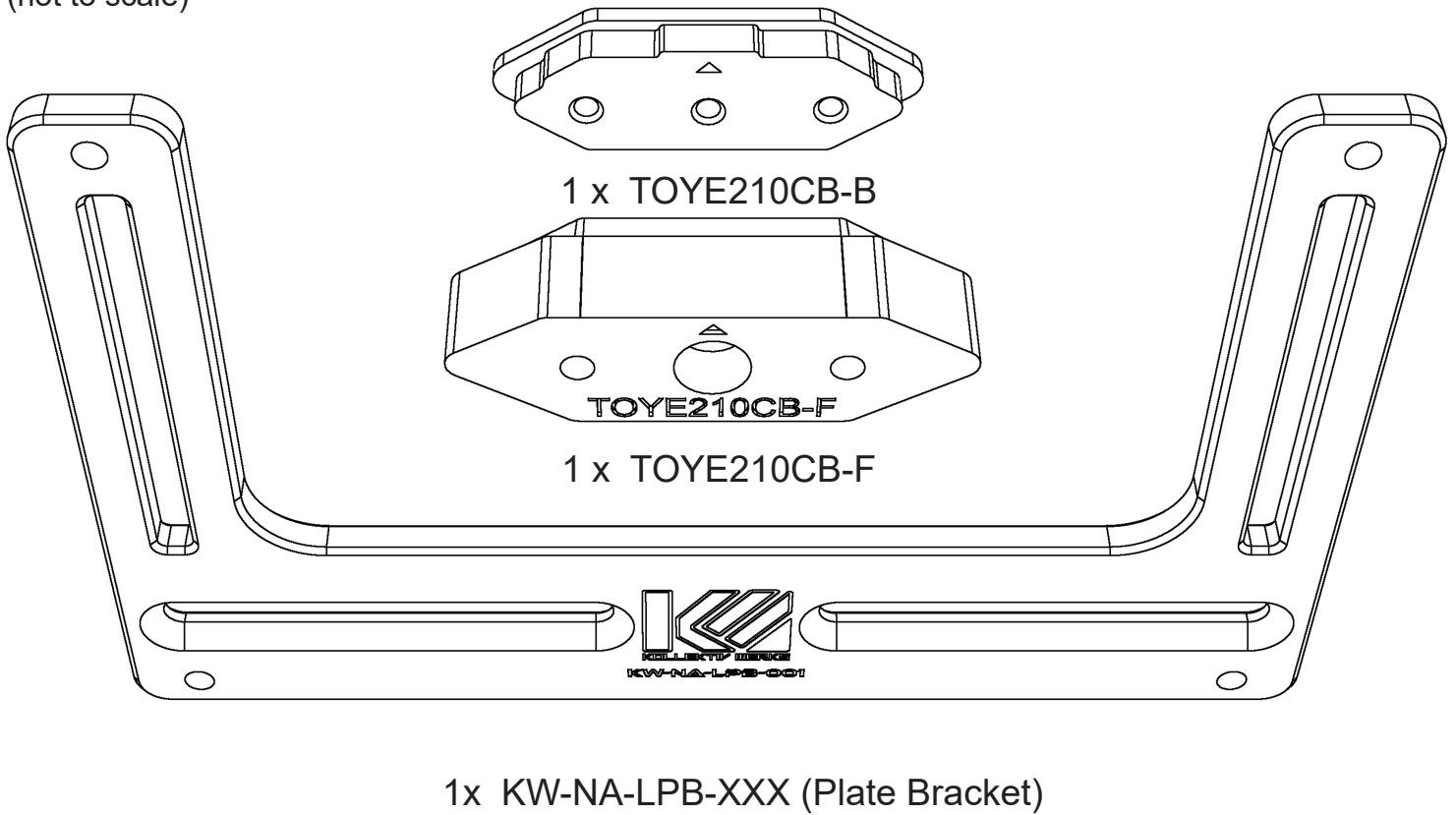
TOYOTA E210 COROLLA (2023+)



Bill of material:
(scale 1:1)



Component list:
(not to scale)

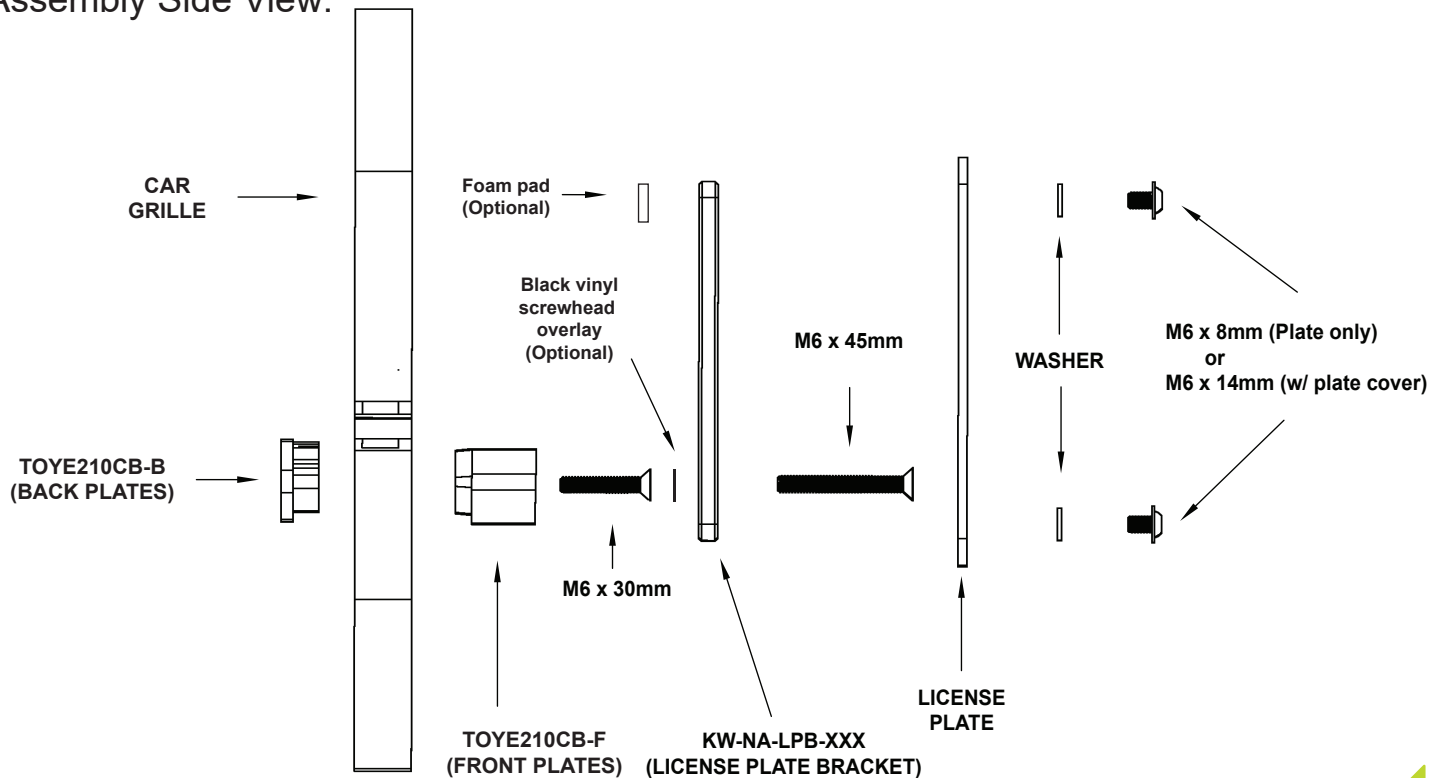


IMPORTANT!

To be installed in highlighted location only!

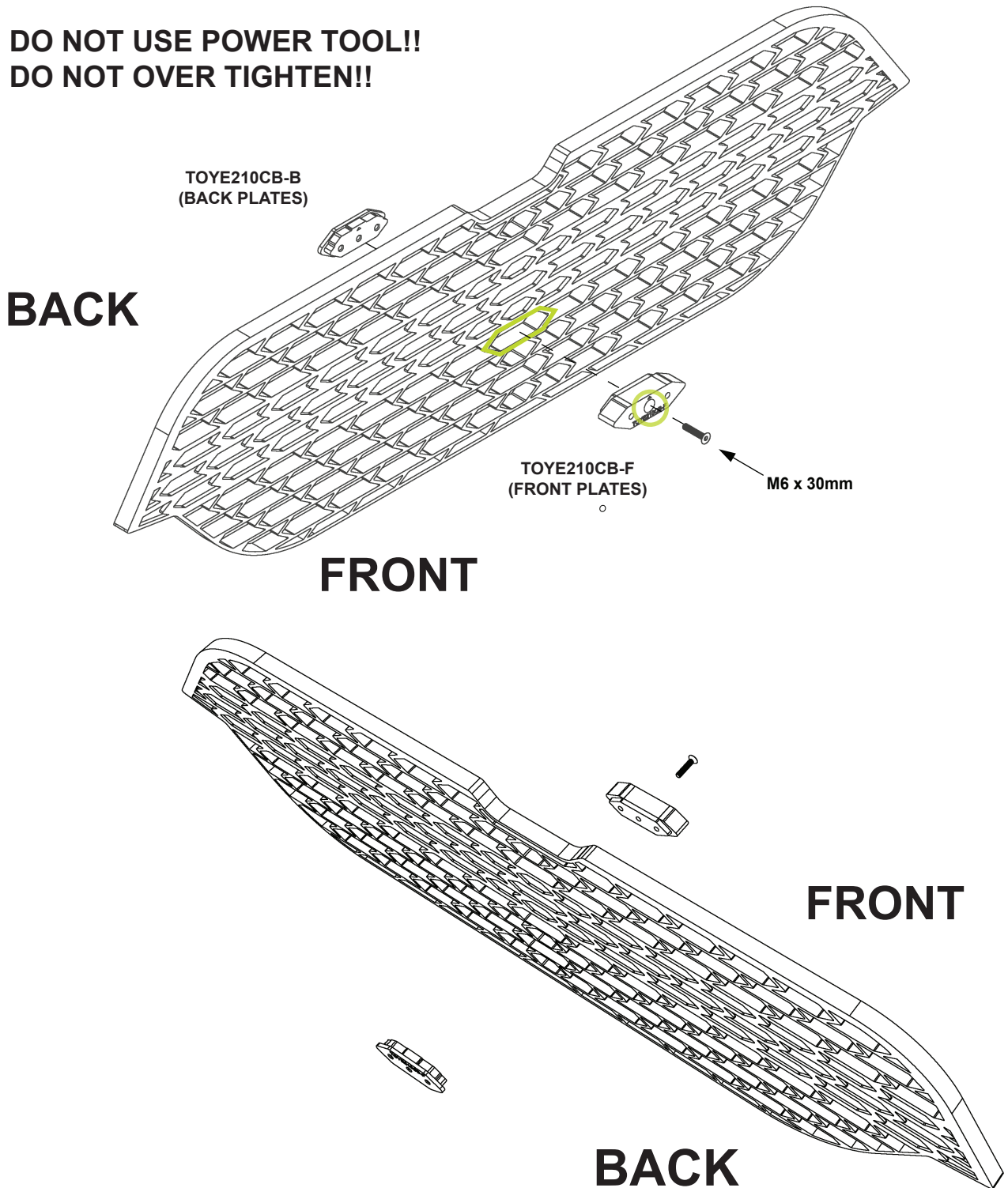


Assembly Side View:



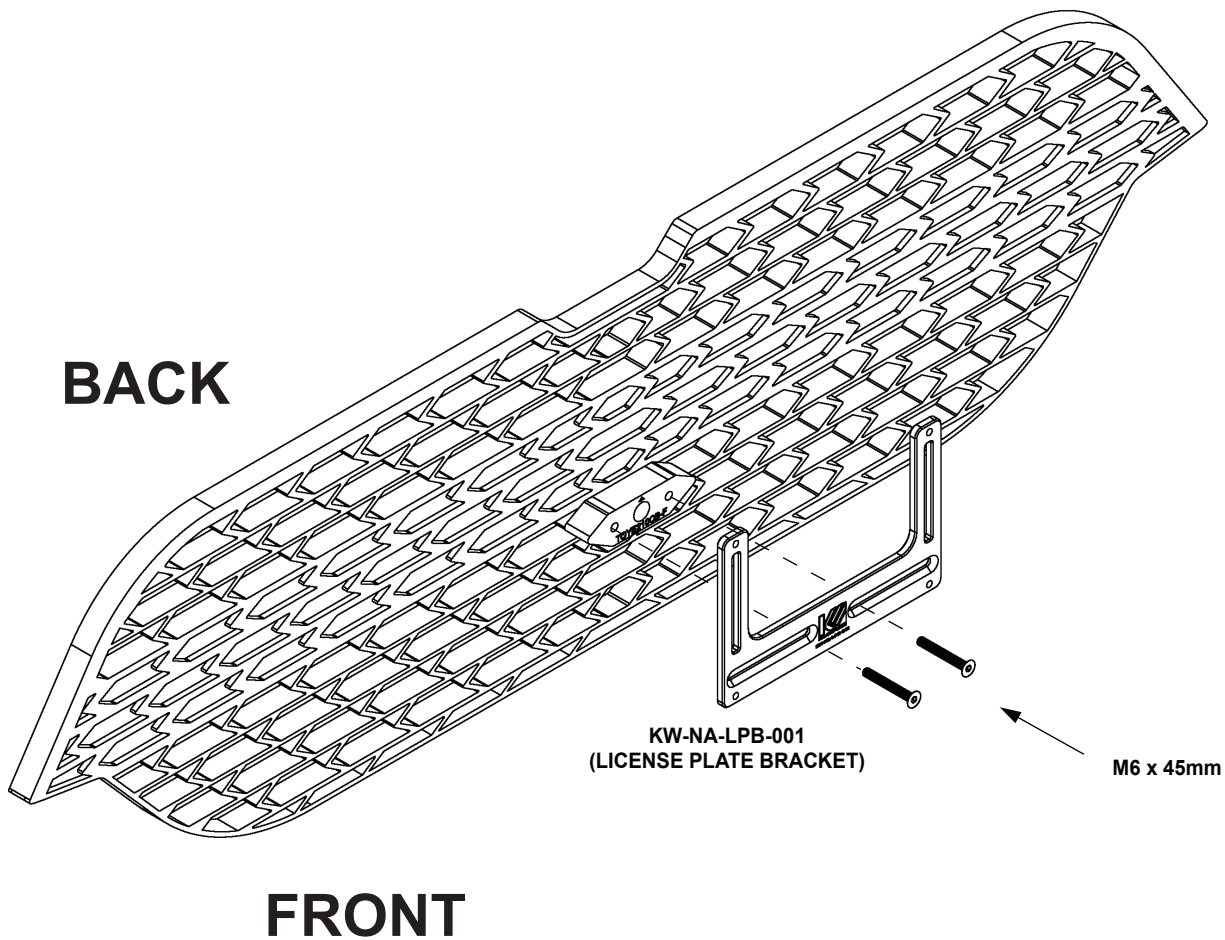
- 1 Insert back plate into the grille and bolt together with front plate. Ensure writing is upright and the arrows point to the outside.

**DO NOT USE POWER TOOL!!
DO NOT OVER TIGHTEN!!**



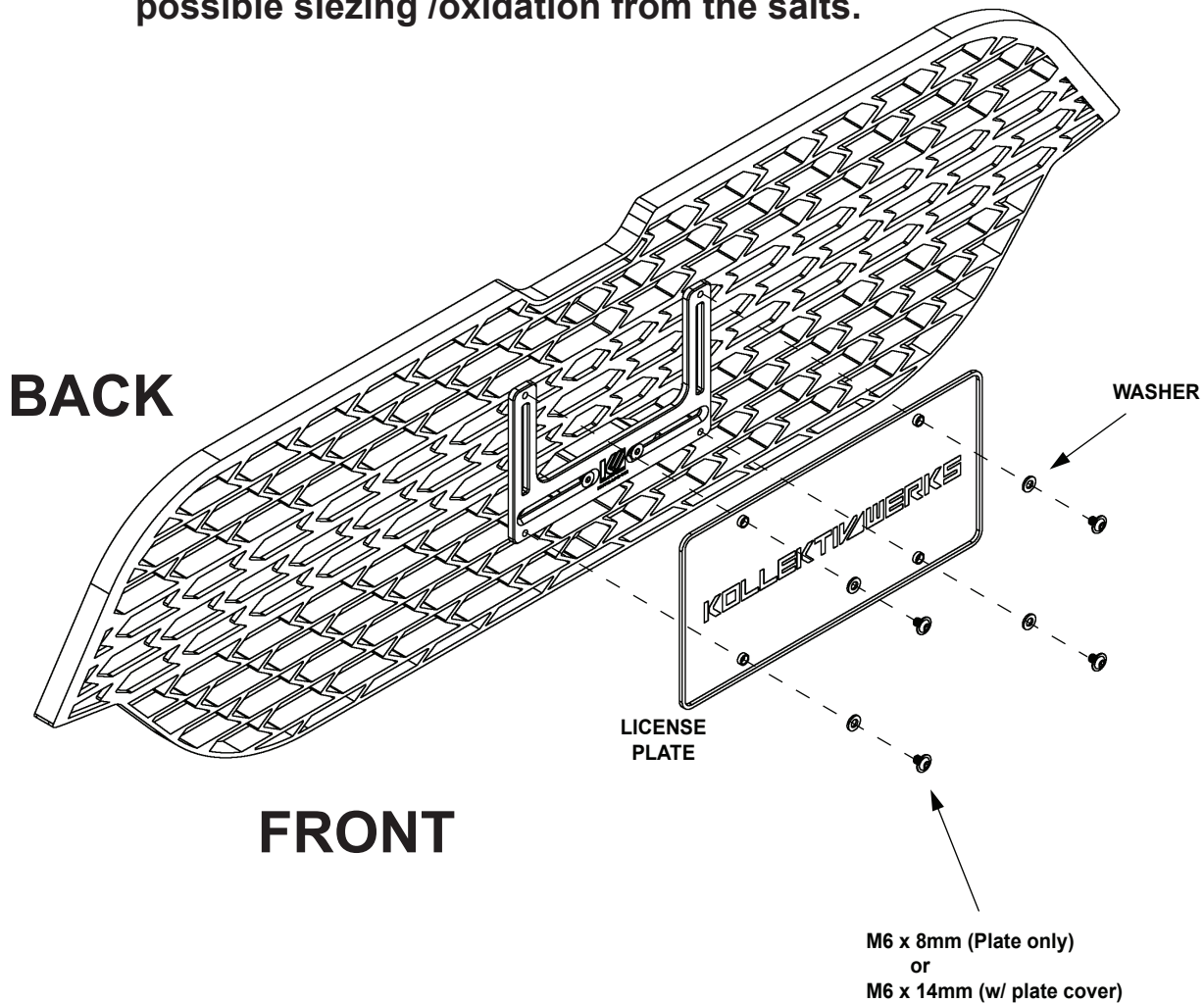
2 Install spacer and bracket as shown. Center bracket and tighten.
Ensure writing is upright.

DO NOT USE POWER TOOL!!
DO NOT OVER TIGHTEN!!

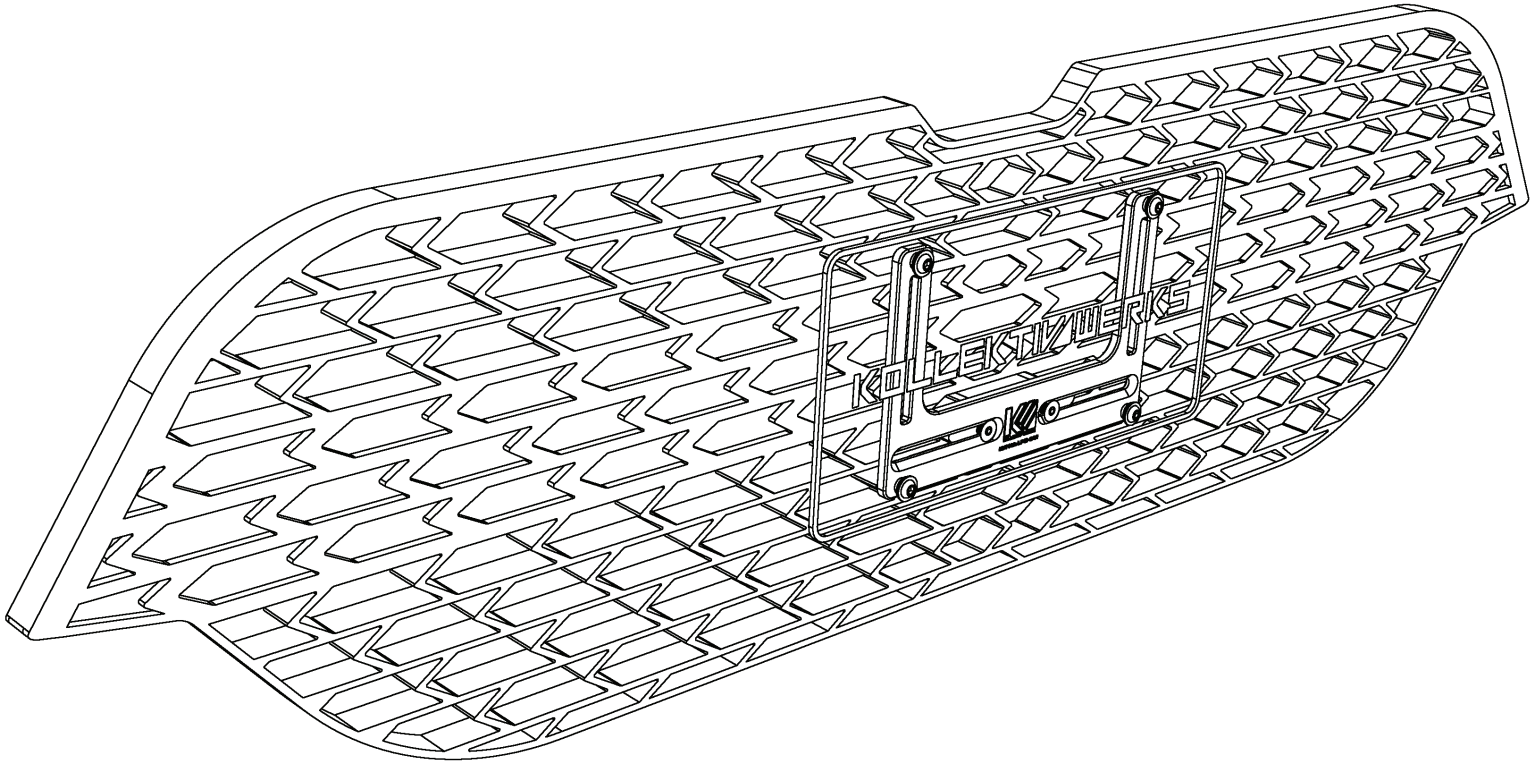


- 3** Install license plate to license plate bracket.
 Install M6x14mm bolts with a license plate cover otherwise use M6x8mm bolts.

NOTE: Use a thin coat of anti-sieze on the bolts during the winter season to protect from possible siezing /oxidation from the salts.



4 Enjoy your new KW license plate holder!



For customer support please email support@kollektivwerks.com

