



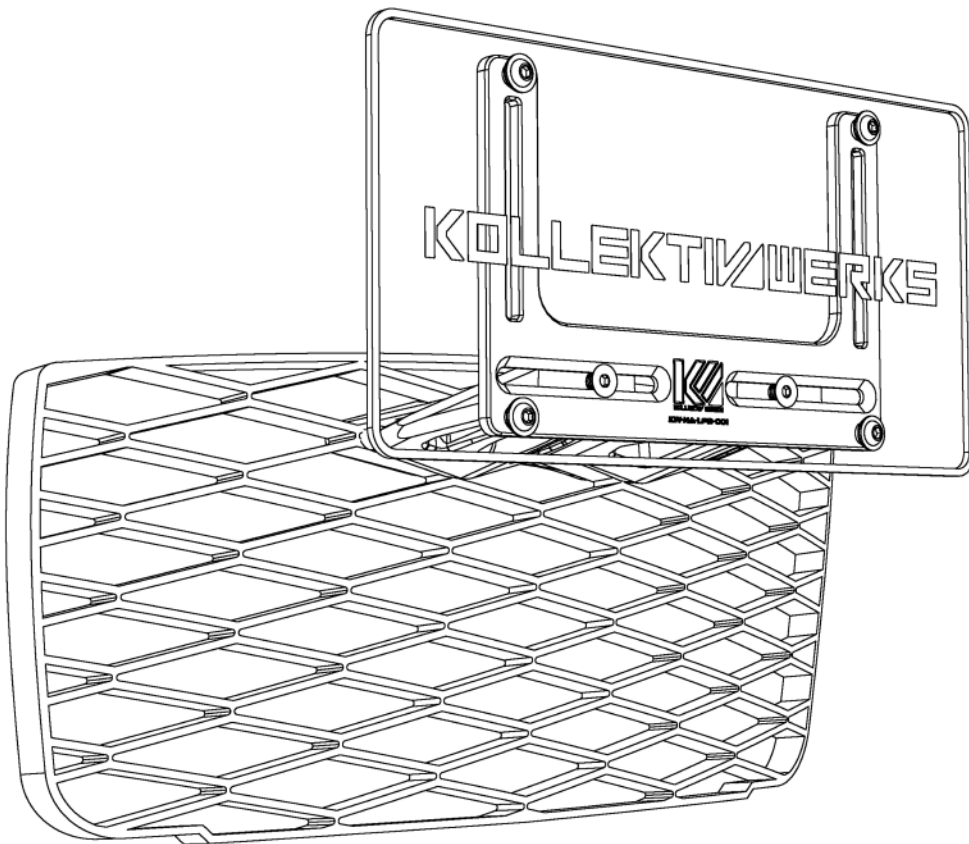
# KOLLEKTIVWERKS

NO DRILL CENTER MOUNT LICENCE PLATE HOLDER

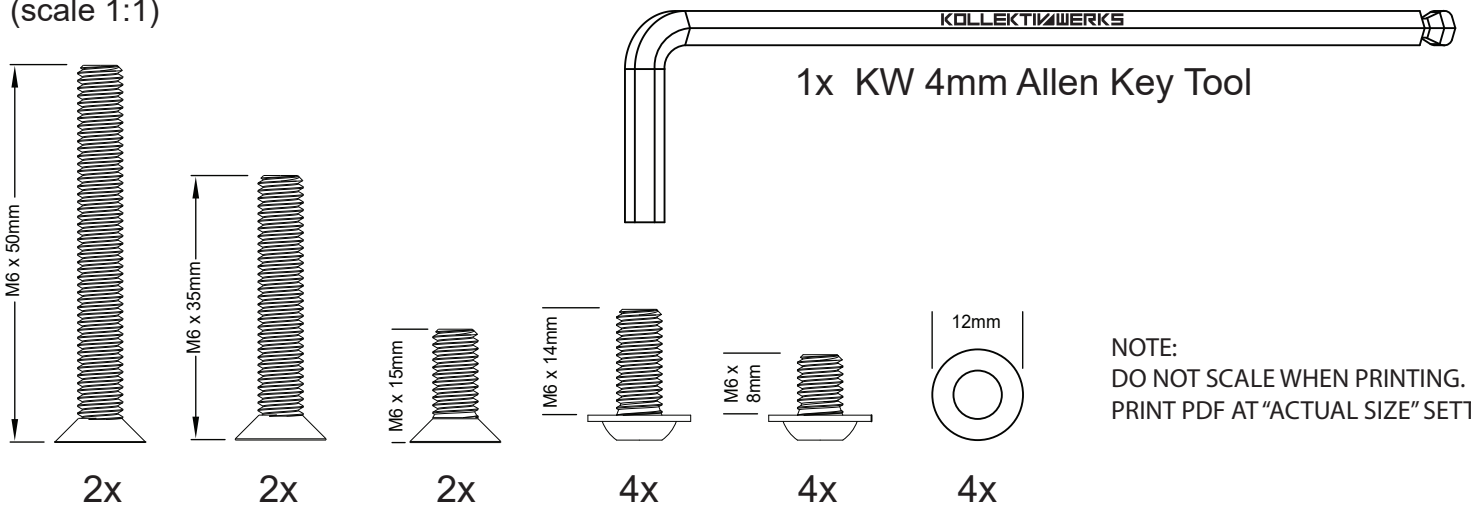
INSTALLATION GUIDE

SKU: TOYA90SUPB

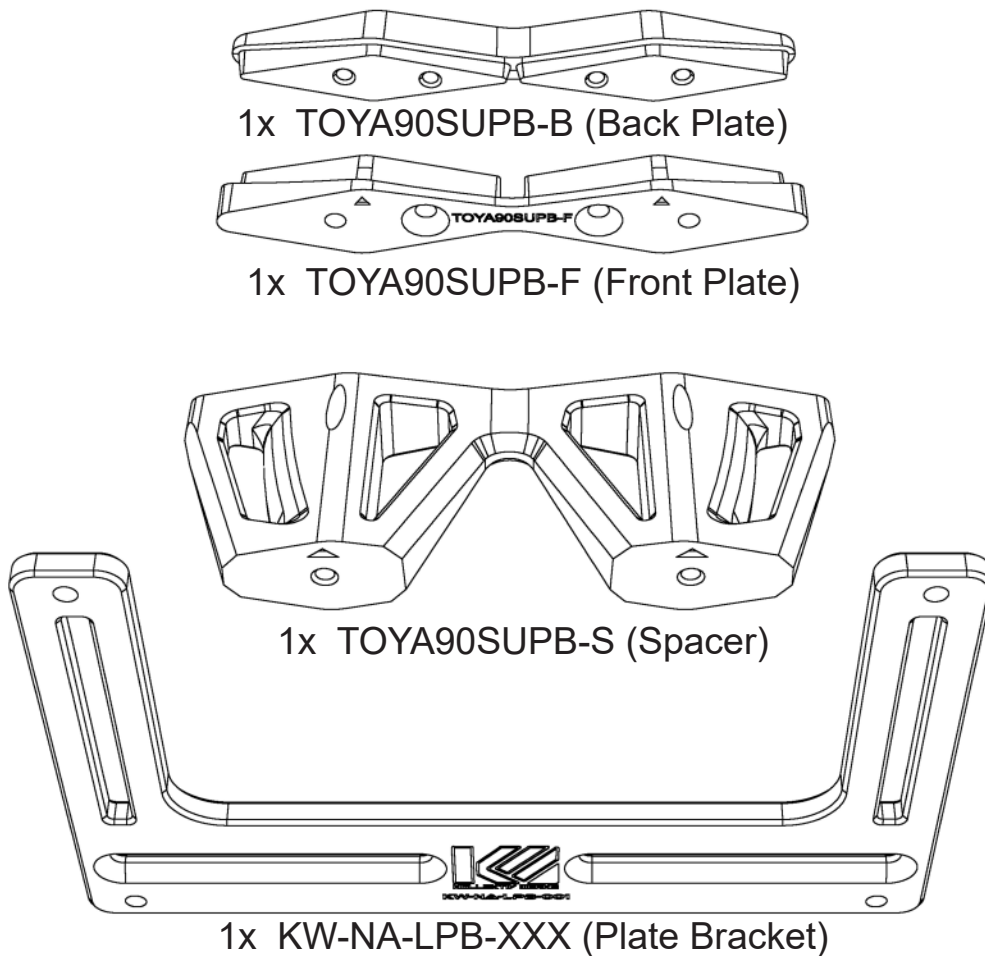
## TOYOTA SUPRA (A90)



Bill of material:  
(scale 1:1)



Component list:  
(not to scale)

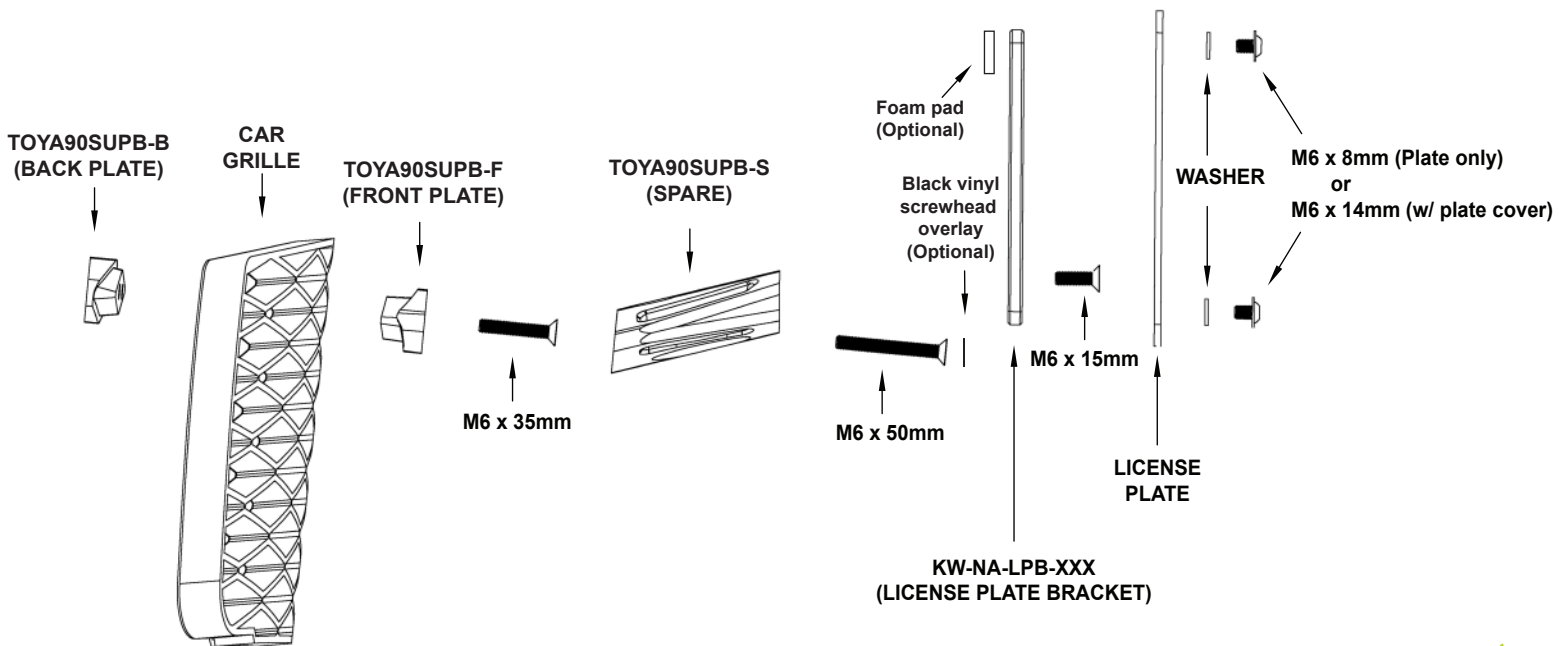


### IMPORTANT!

To be installed in highlighted location only!

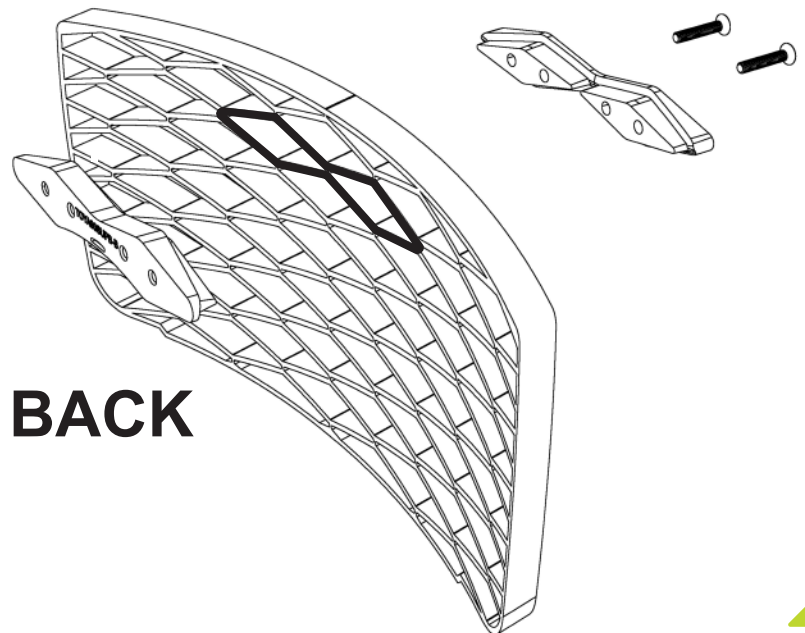
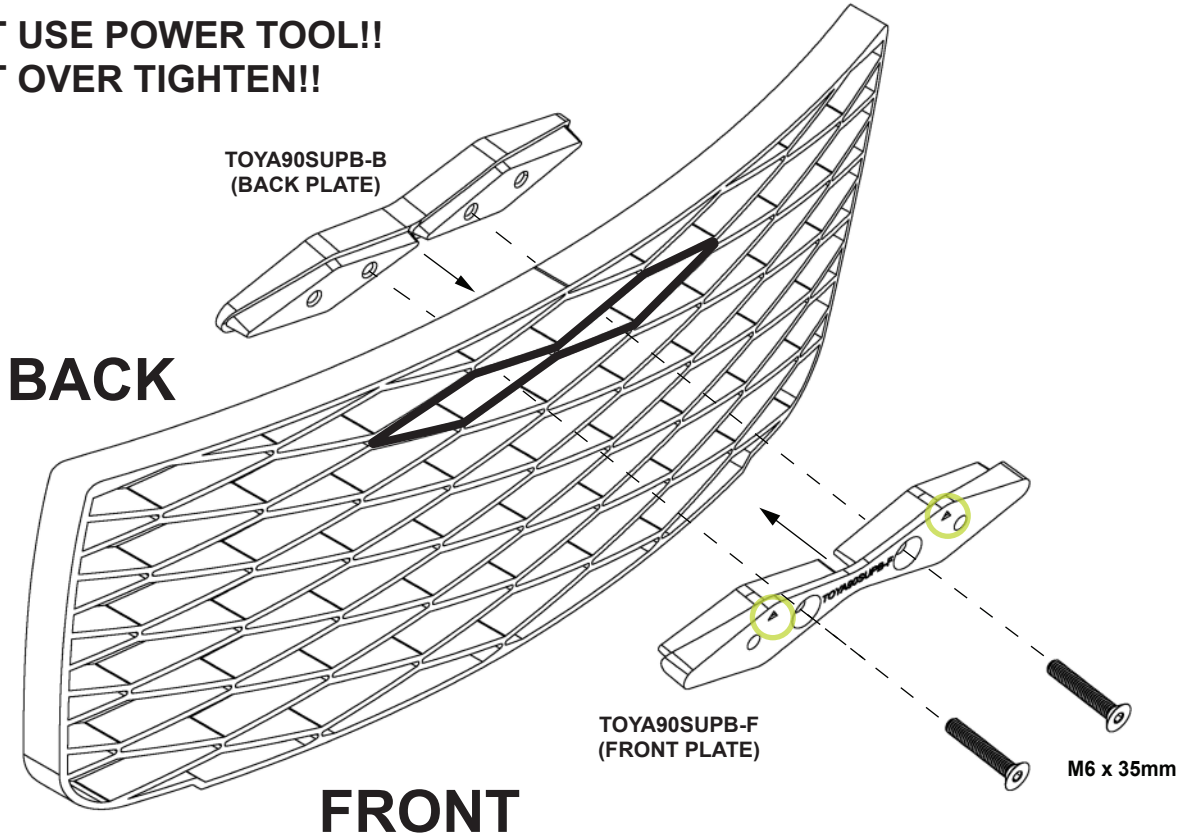


Assembly Side View:



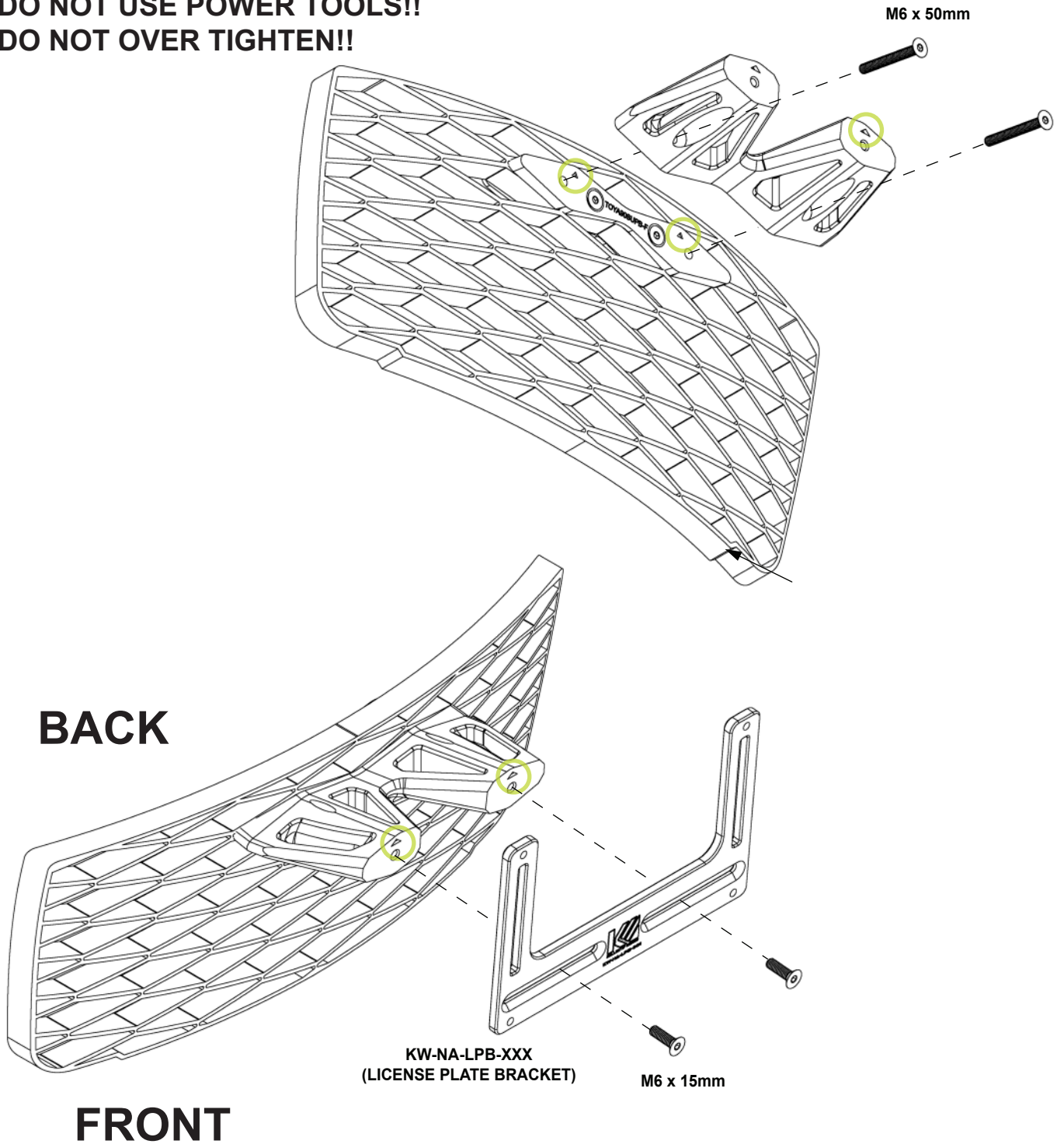
- 1 Insert back plate into of the grille and bolt together with front plate.  
Ensure writing is upright and arrows pointed upwards .  
\*\* Refer to APPENDIX A for installation pictures.

**DO NOT USE POWER TOOL!!**  
**DO NOT OVER TIGHTEN!!**

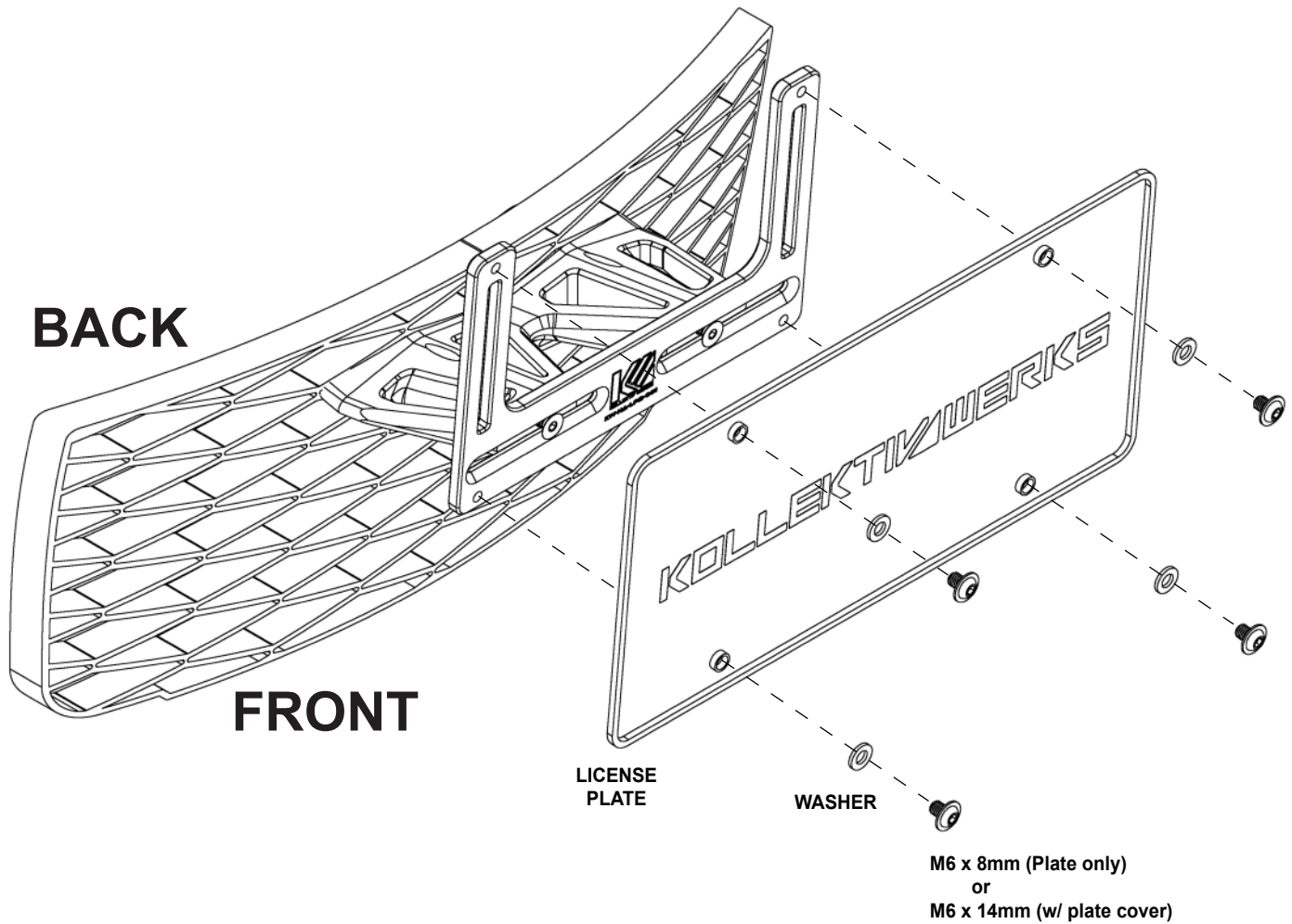


**2** Install spacer and bracket as shown. Center bracket and tighten.  
Ensure writing is upright and arrows pointing upwards.

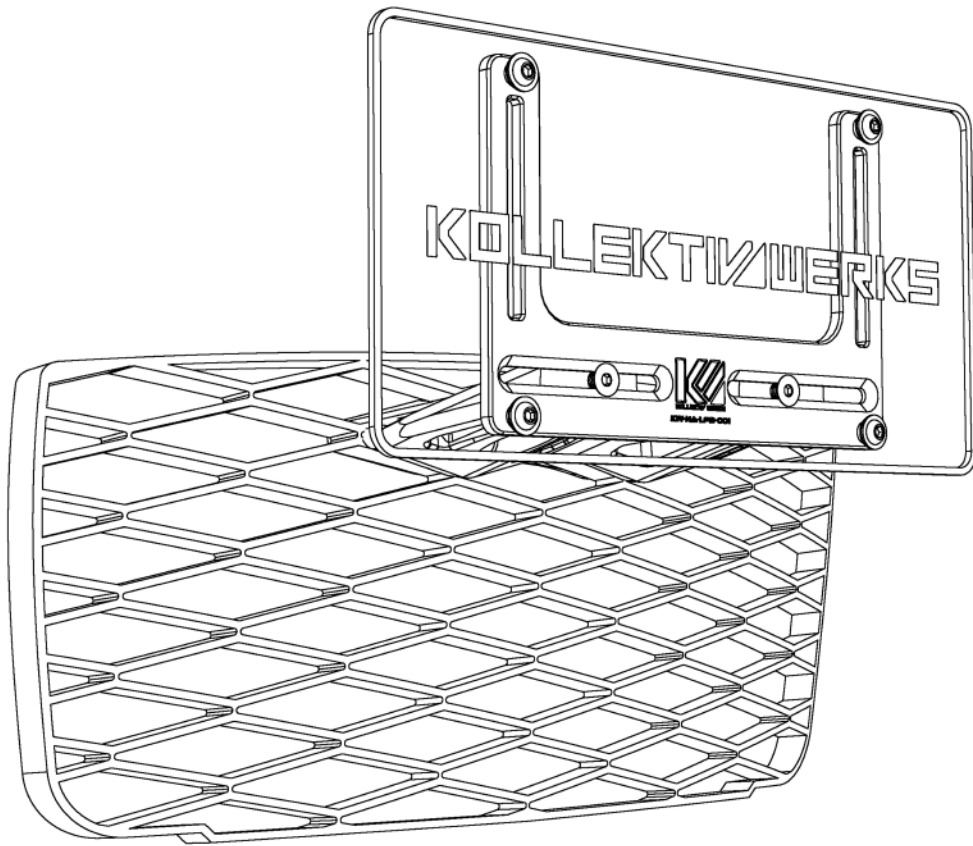
**DO NOT USE POWER TOOLS!!**  
**DO NOT OVER TIGHTEN!!**



- 3** Install license plate to license plate bracket.  
Install M6x14mm bolts with a license plate cover otherwise use  
M6x8mm bolts.



**4** Enjoy your new KW license plate holder!



For customer support please email [support@kollektivwerks.com](mailto:support@kollektivwerks.com)



## APPENDIX A Installation reference pictures



1. Insert tie-wrap on TOYA90SUPB-B



2. Fold tie-wrap



3. Insert TOYA90SUPB-B in location as per reference picture.



4. Use tie-wrap to assist in placement





5. Insert and bolt on TOYA90SUPB-F



6. Remove tie-wrap and & install 2nd bolt. Do not over tighten bolts.



7. Ready for the spacer !!



\*For removal insert tie-wrap as pictured and reverse the installation process.