



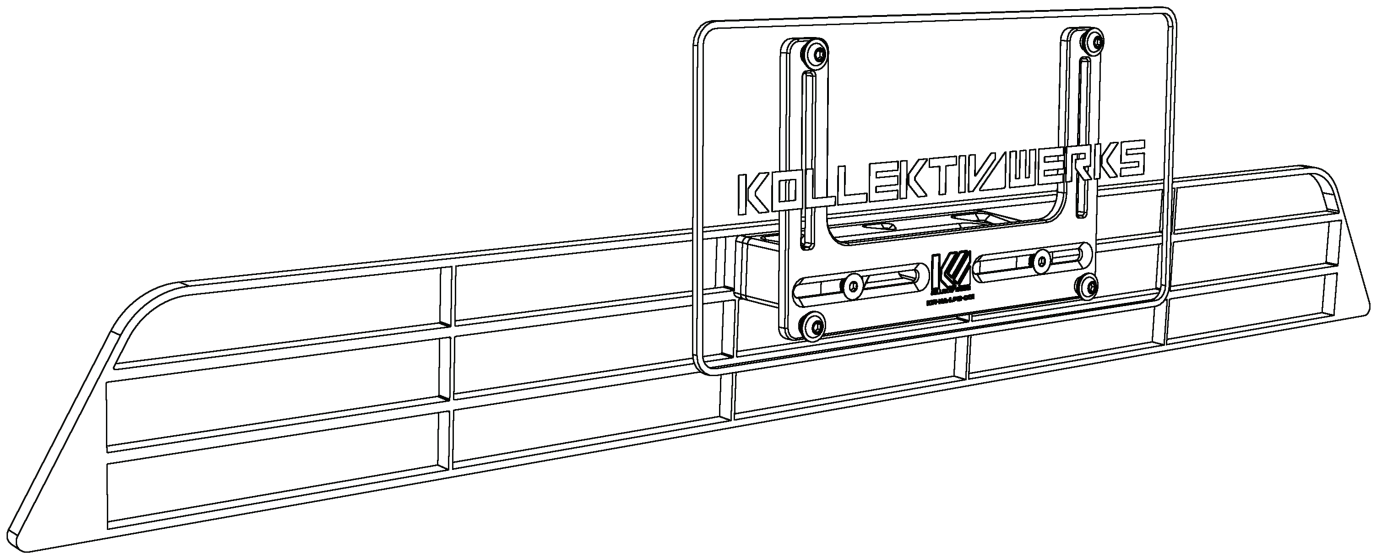
**KOLLEKTIVWERKS**  
NO DRILL CENTER MOUNT LICENCE PLATE HOLDER

INSTALLATION GUIDE

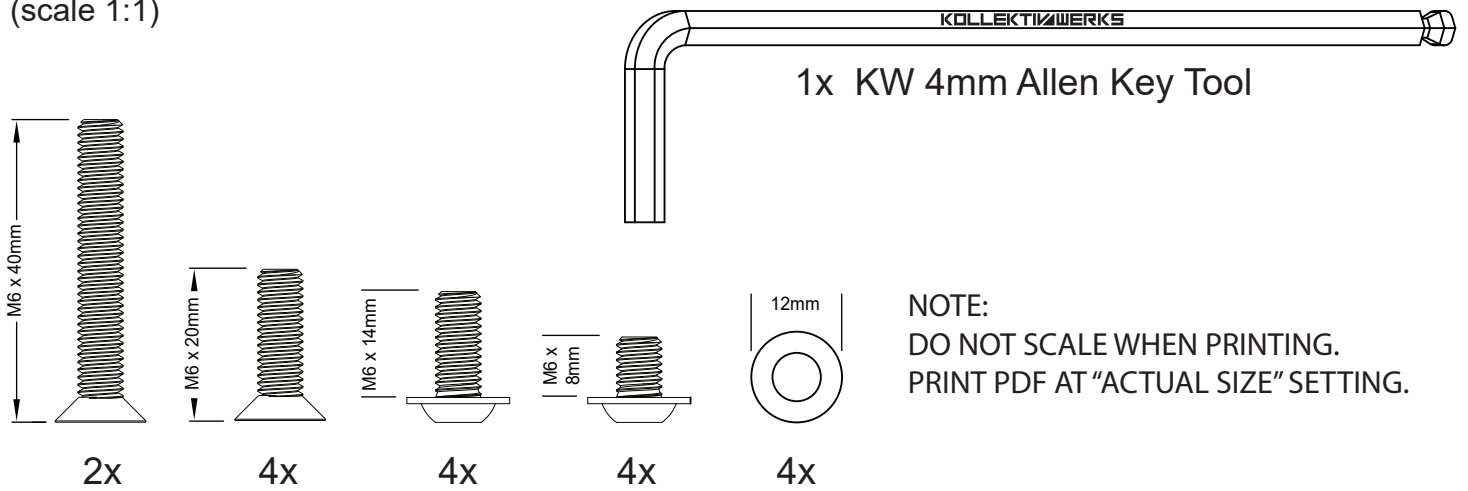
SKU: SUBZC6B

# SUBARU BRZ

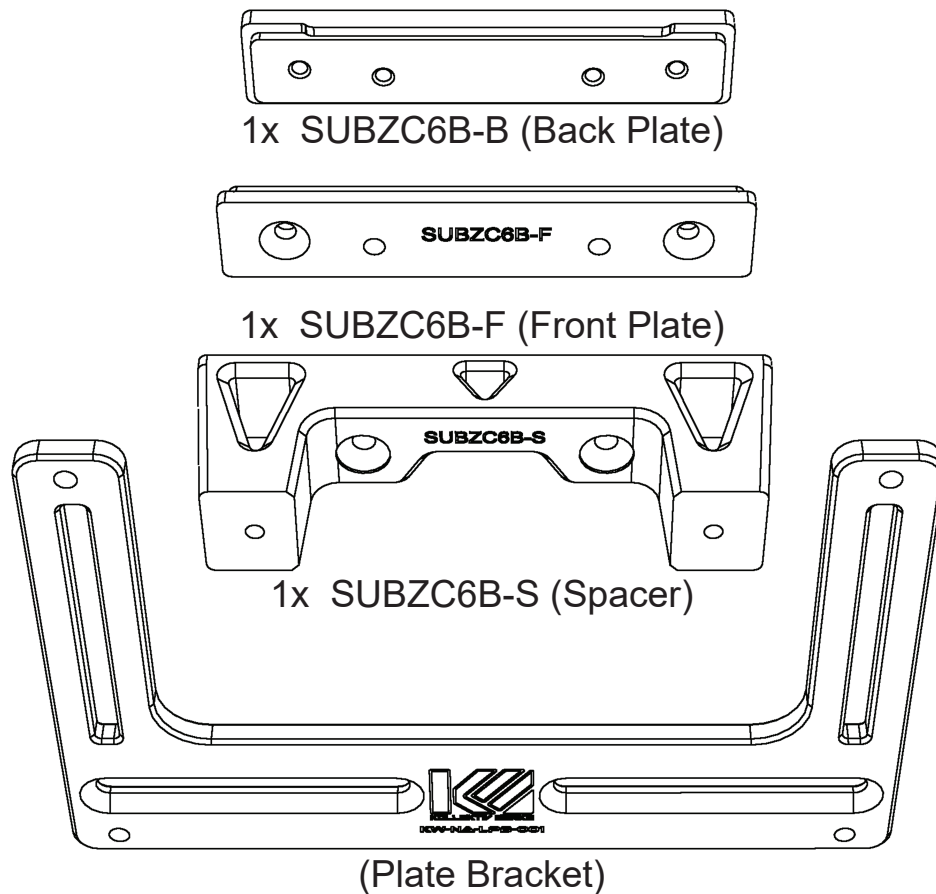
(ZC6 2013-2016)



Bill of material:  
(scale 1:1)

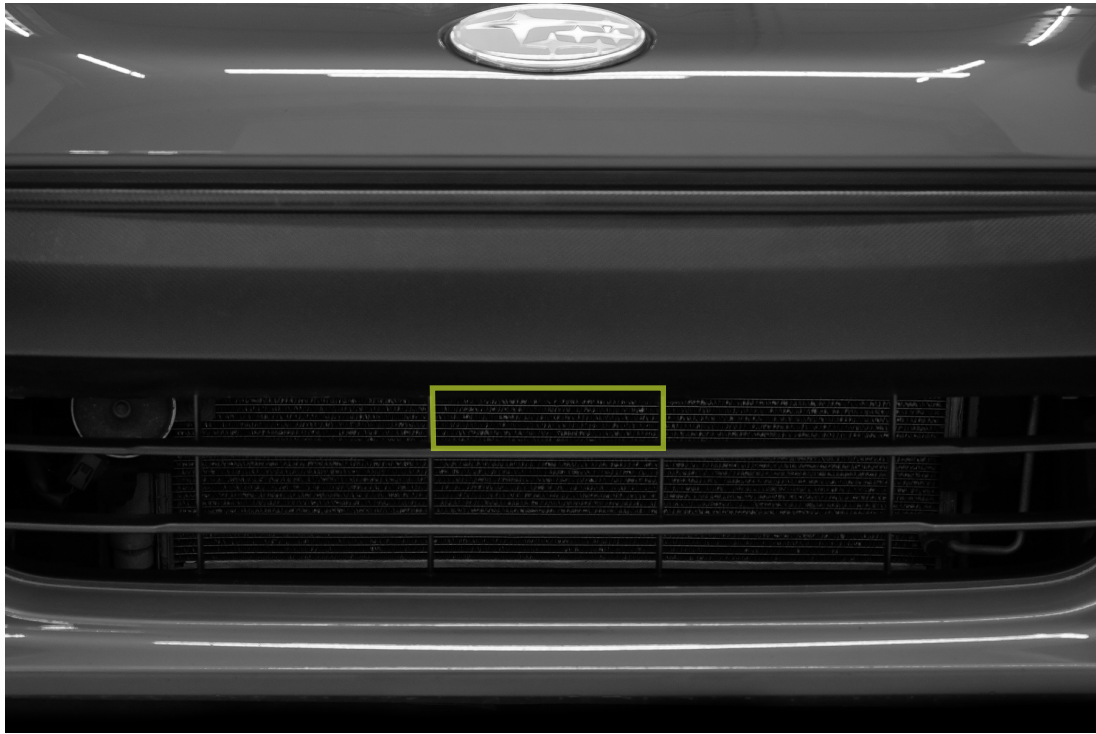


Component list:  
(not to scale)

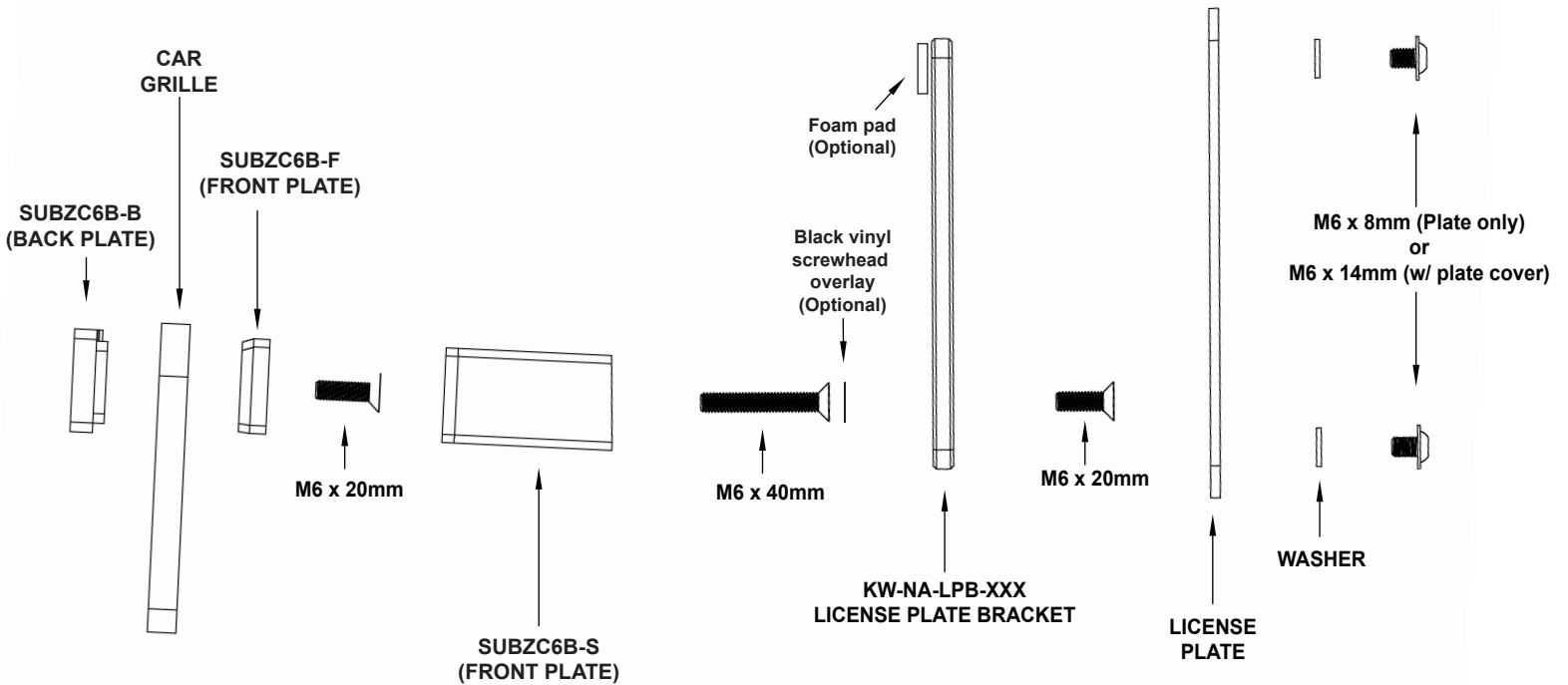


# IMPORTANT!

To be installed in highlighted location only!

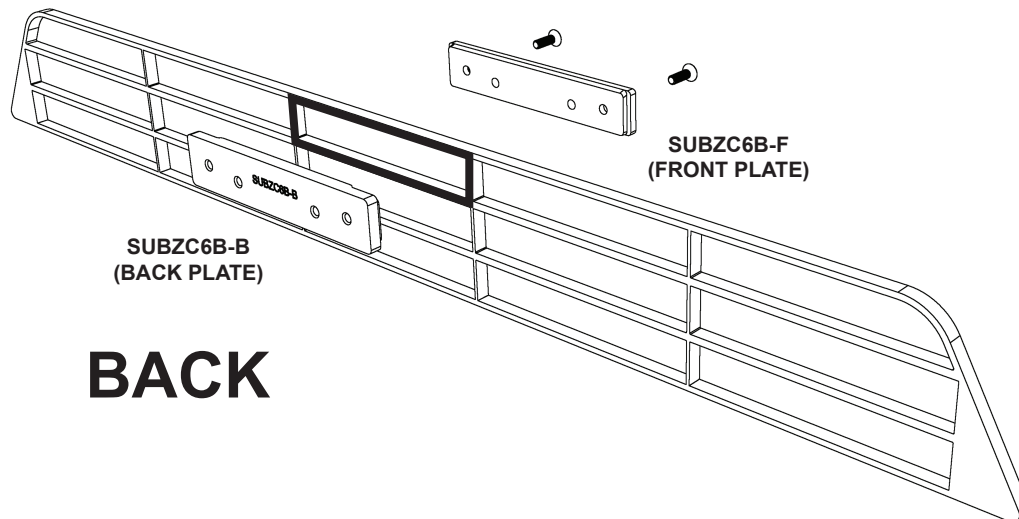
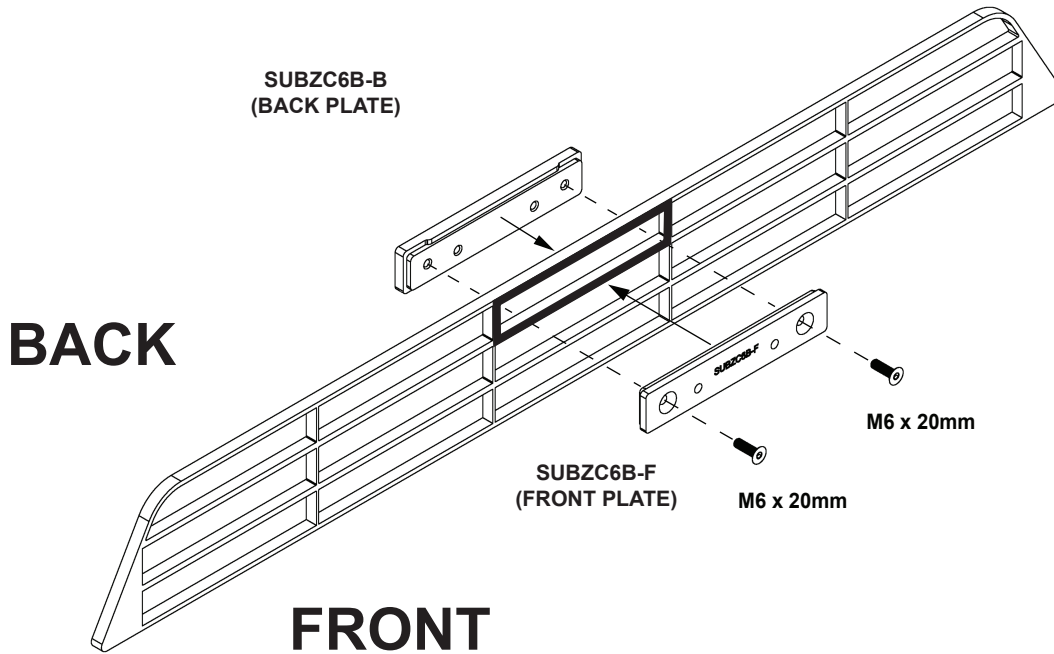


## Assembly Side View:



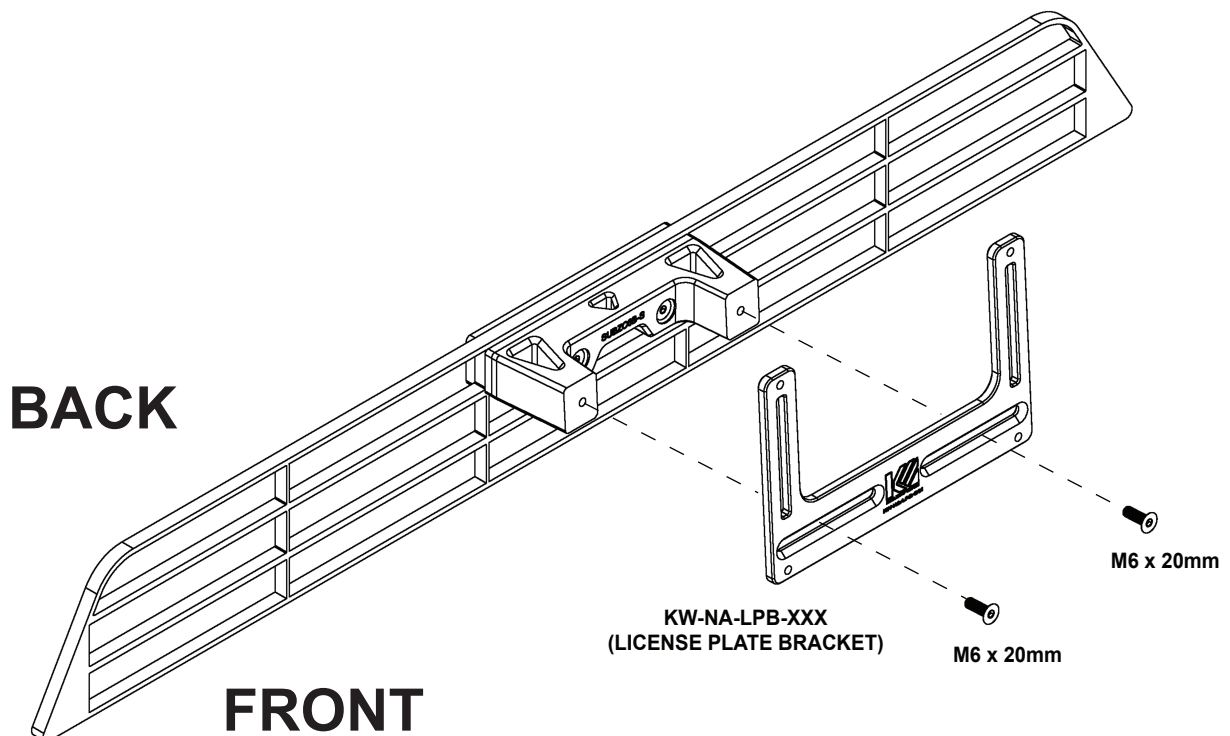
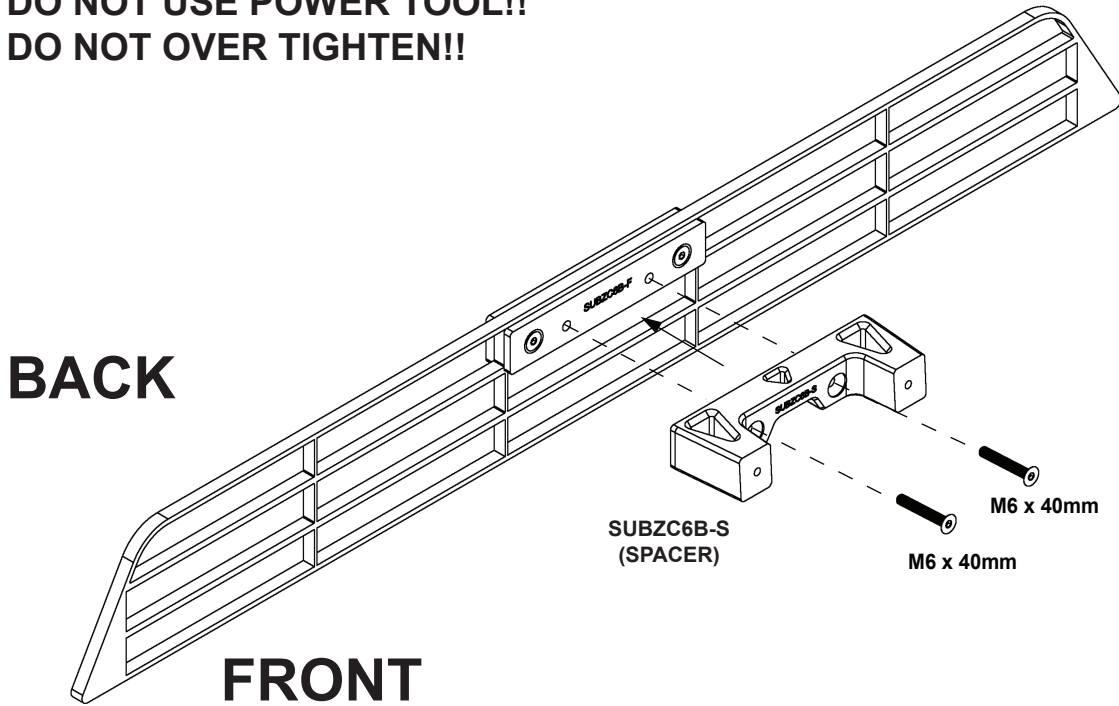
- 1 Insert back plate into the grille and bolt together with front plate. Ensure writing is upright and the arrows point to the outside.

**DO NOT USE POWER TOOL!!**  
**DO NOT OVER TIGHTEN!!**

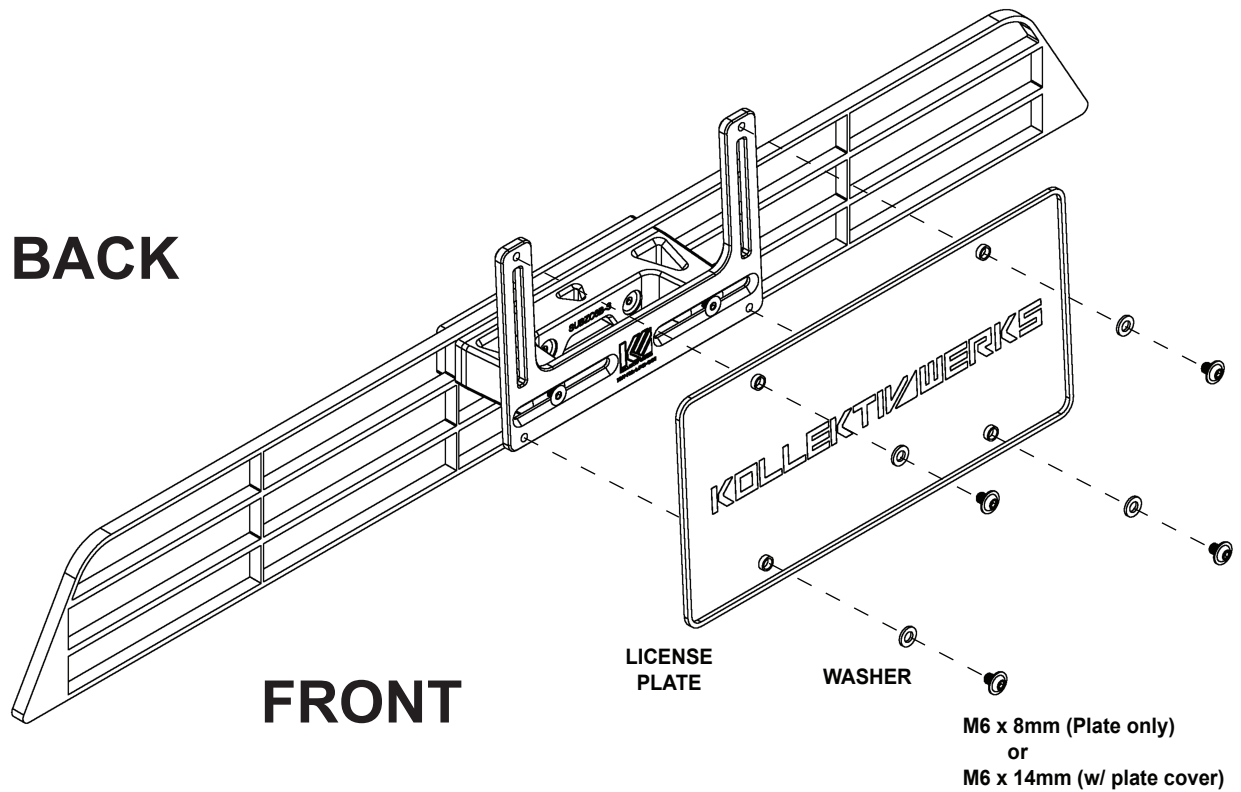


**2** Install spacer and bracket as shown. Center bracket and tighten.  
Ensure writing is upright.

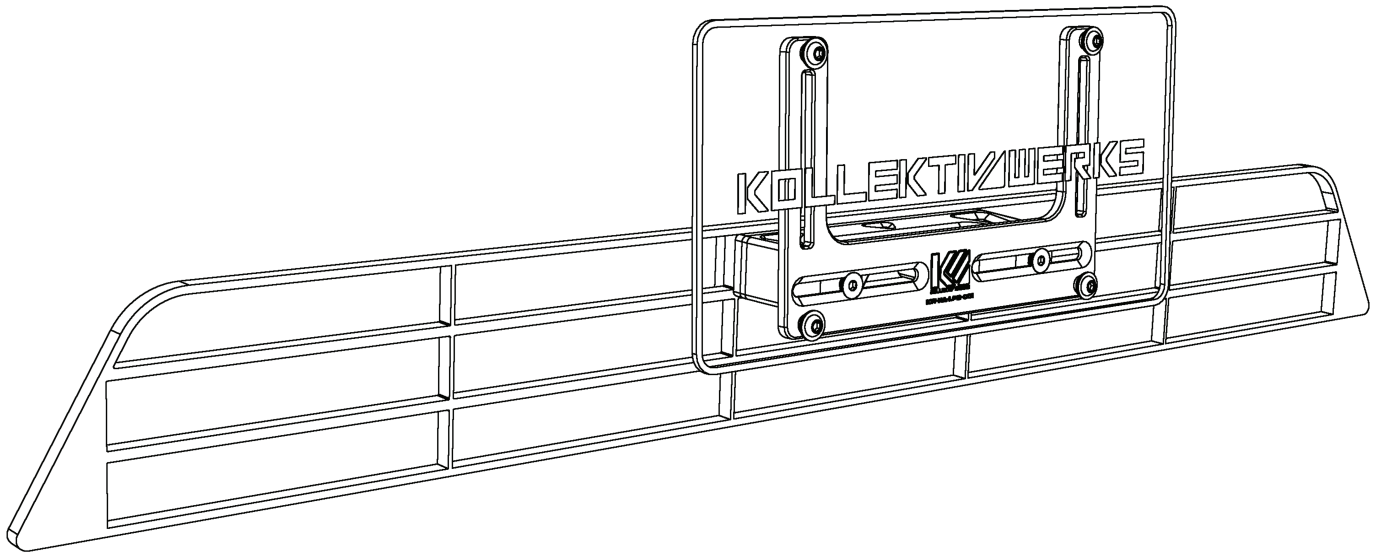
**DO NOT USE POWER TOOL!!**  
**DO NOT OVER TIGHTEN!!**



- 3** Install license plate to license plate bracket.  
Install M6x14mm bolts with a license plate cover otherwise use  
M6x8mm bolts.



**4** Enjoy your new KW license plate holder!



For customer support please email [support@kollektivwerks.com](mailto:support@kollektivwerks.com)

