



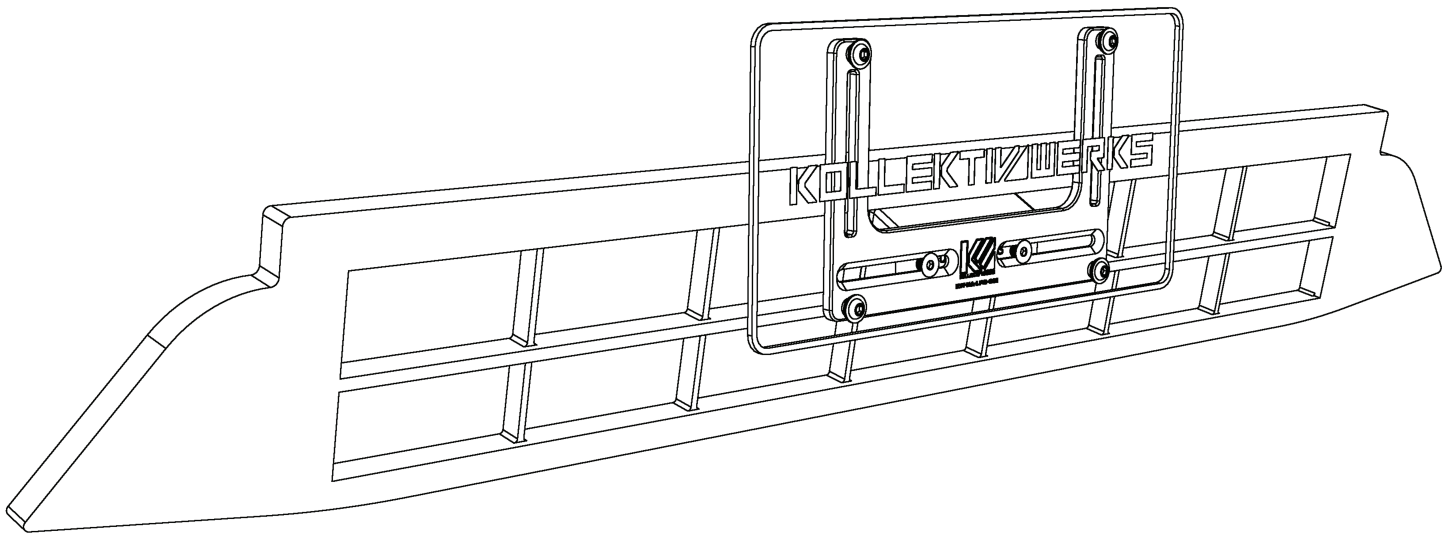
**KOLLEKTIVWERKS**  
NO DRILL CENTER MOUNT LICENCE PLATE HOLDER

INSTALLATION GUIDE

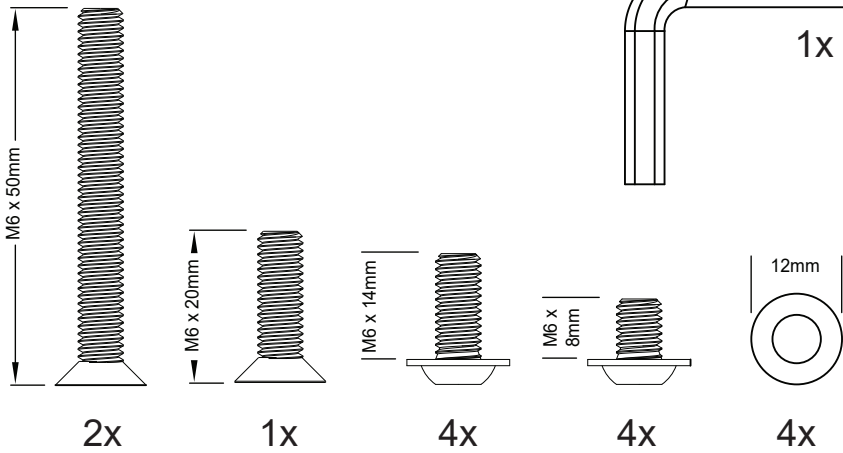
SKU: SUBVBWRXB

# SUBARU VB WRX

(2022+)

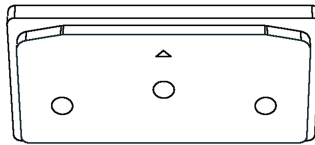


Bill of material:  
(scale 1:1)

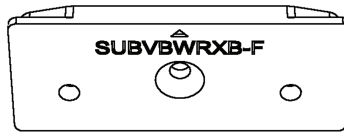


NOTE:  
DO NOT SCALE WHEN PRINTING.  
PRINT PDF AT "ACTUAL SIZE" SETTING.

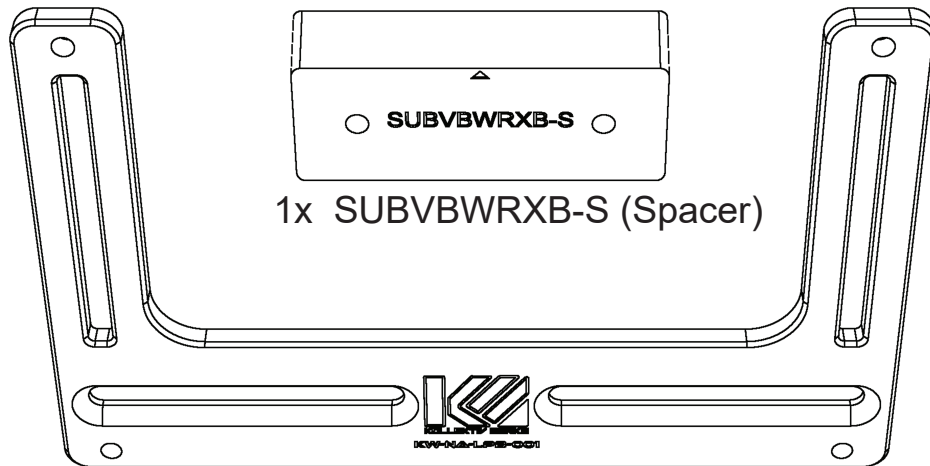
Component list:  
(not to scale)



SUBVBWRXB-B (Back Plate)

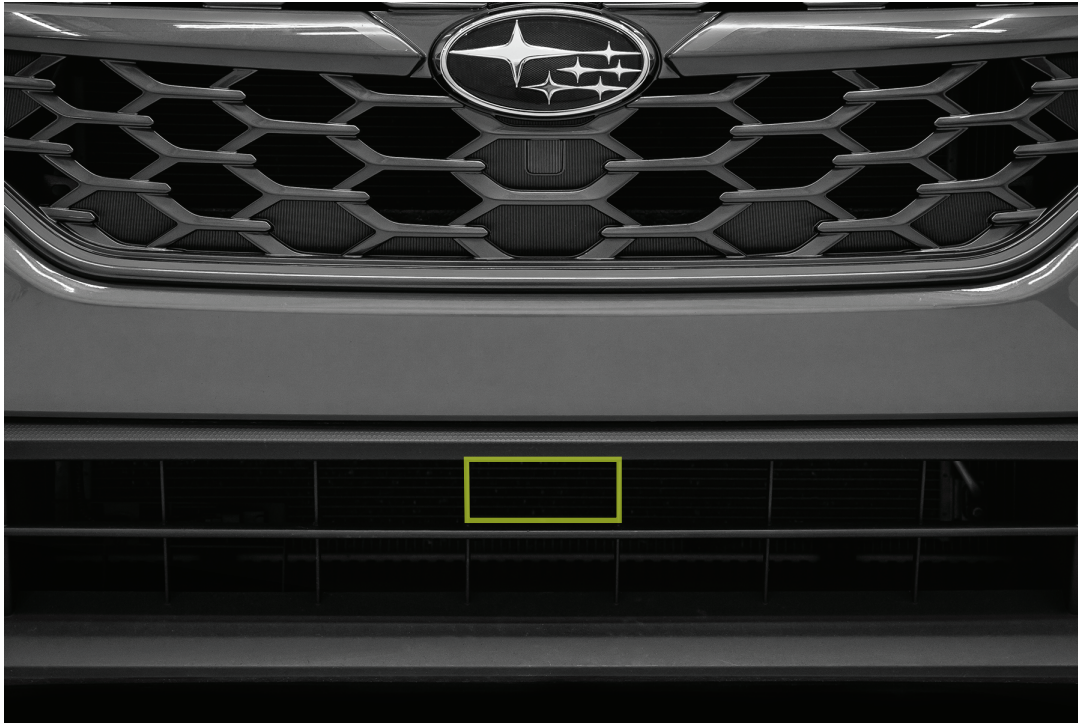


1x SUBVBWRXB-F (Front Plate)

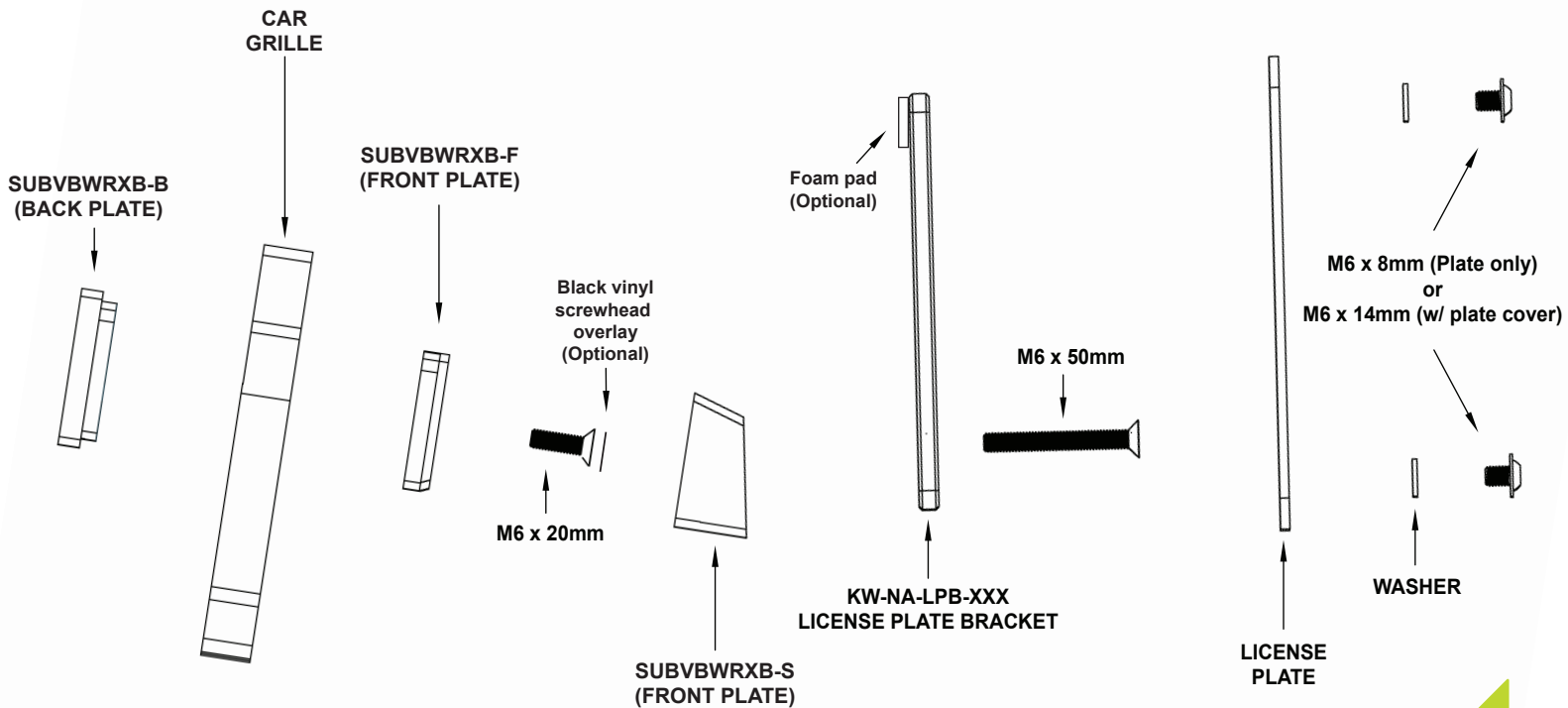


### IMPORTANT!

To be installed in highlighted location only!

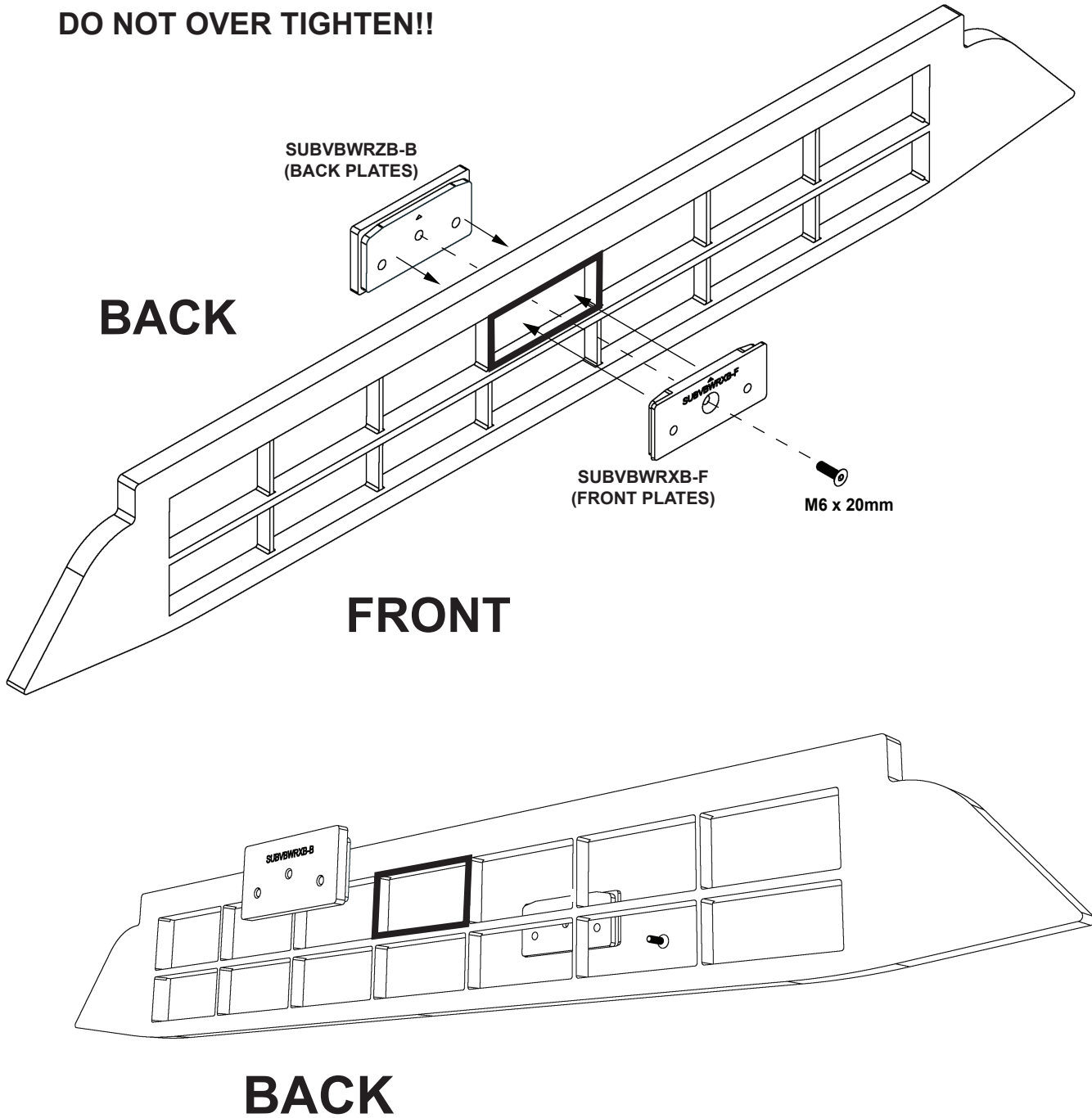


Assembly Side View:



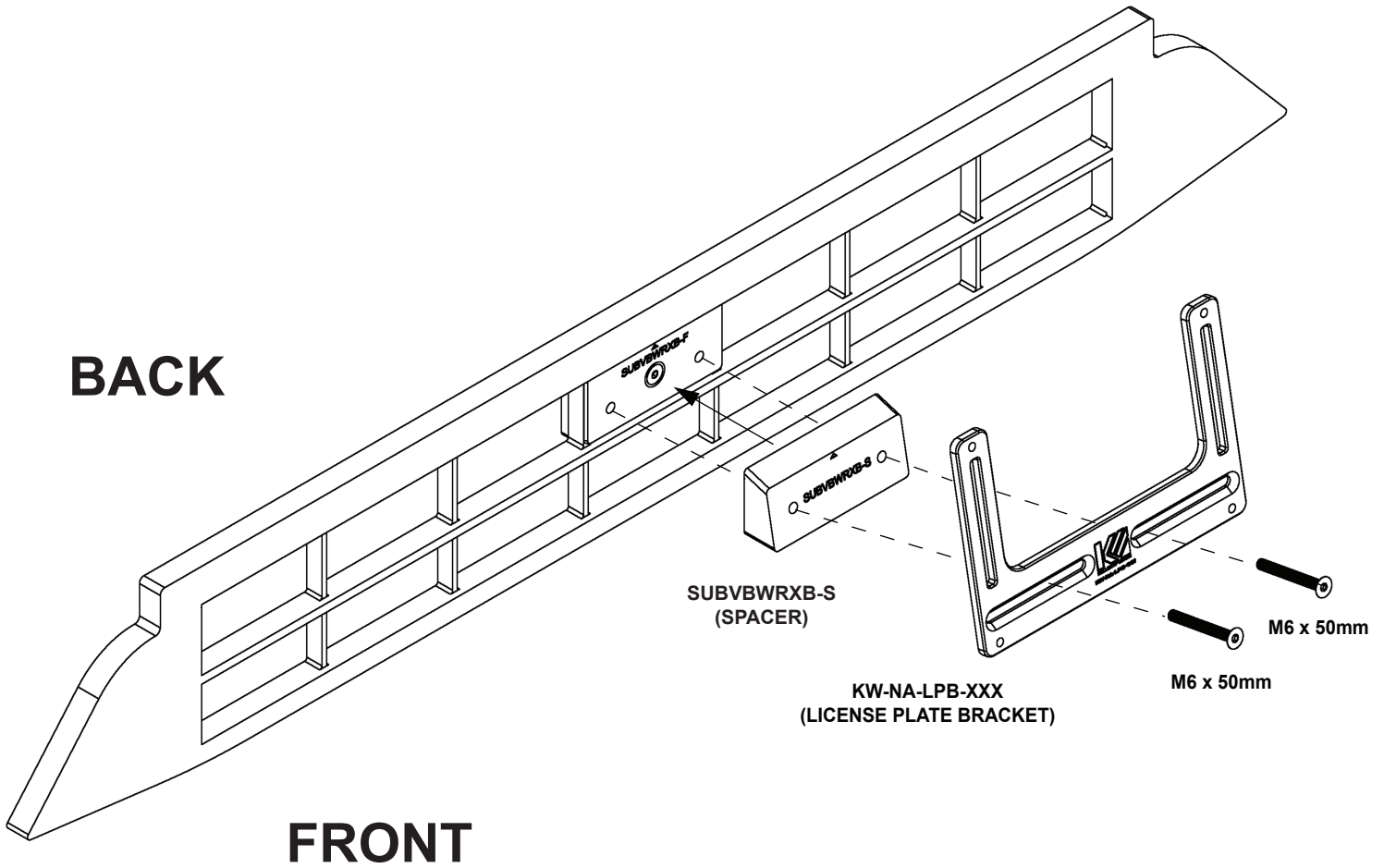
- 1 Insert back plate into the grille and bolt together with front plate. Ensure writing is upright and the arrows point to the outside.

**DO NOT USE POWER TOOL!!  
DO NOT OVER TIGHTEN!!**



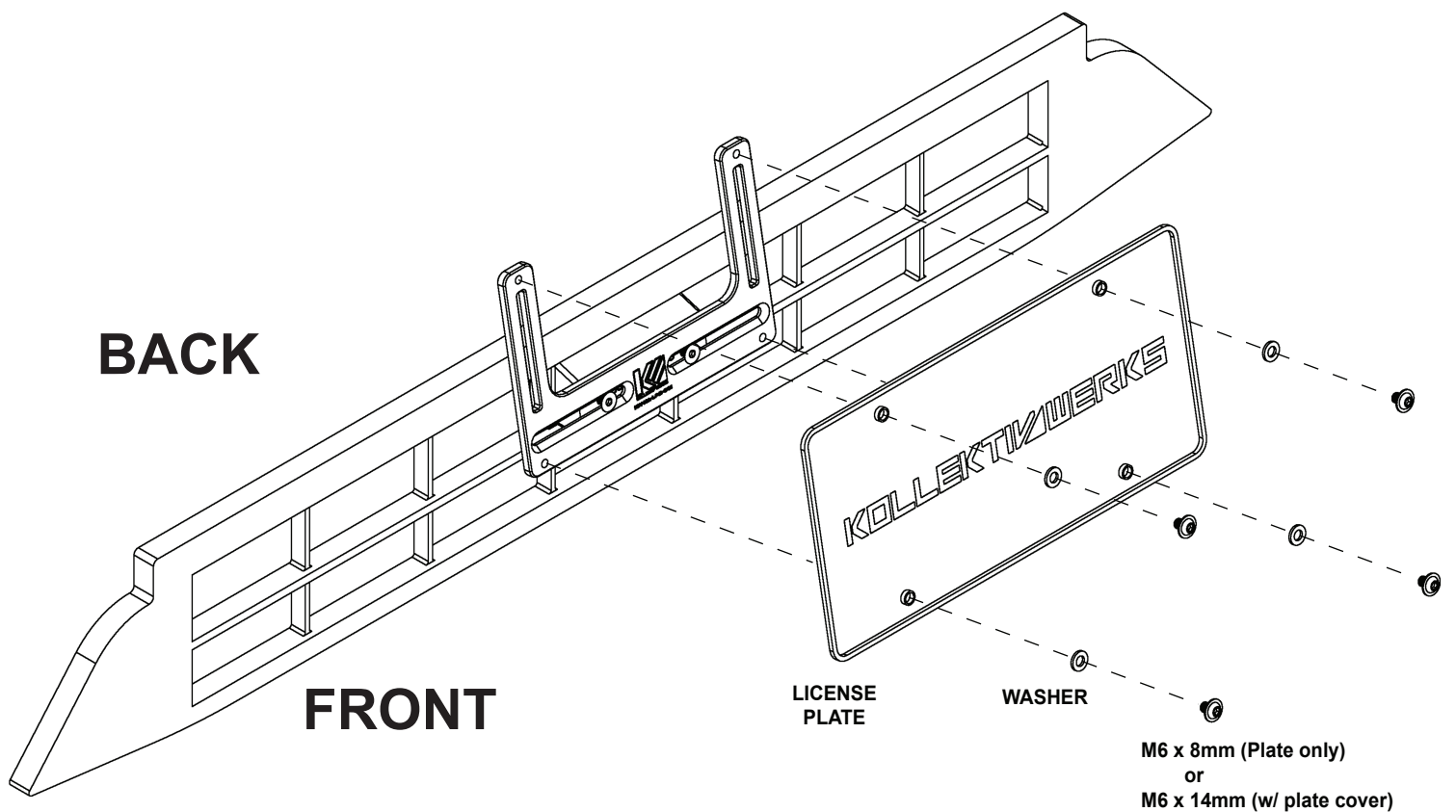
**2** Install spacer and bracket as shown. Center bracket and tighten.  
Ensure writing is upright.

**DO NOT USE POWER TOOL!!**  
**DO NOT OVER TIGHTEN!!**

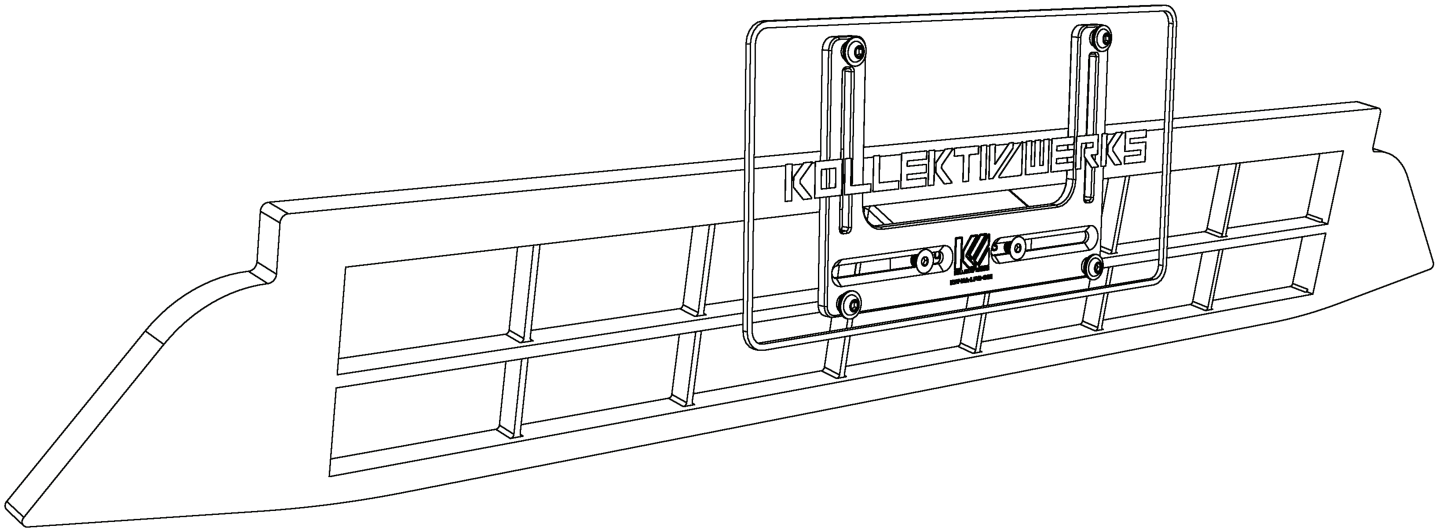


**3** Install license plate to license plate bracket.  
 Install M6x14mm bolts with a license plate cover otherwise use  
 M6x8mm bolts.

Optional: Use a thin coat of anti-sieze on the bolts  
 during the winter season to protect from  
 possible siezing /oxidation from the salts.



**4** Enjoy your new KW license plate holder!



For customer support please email [support@kollektivwerks.com](mailto:support@kollektivwerks.com)

P6