

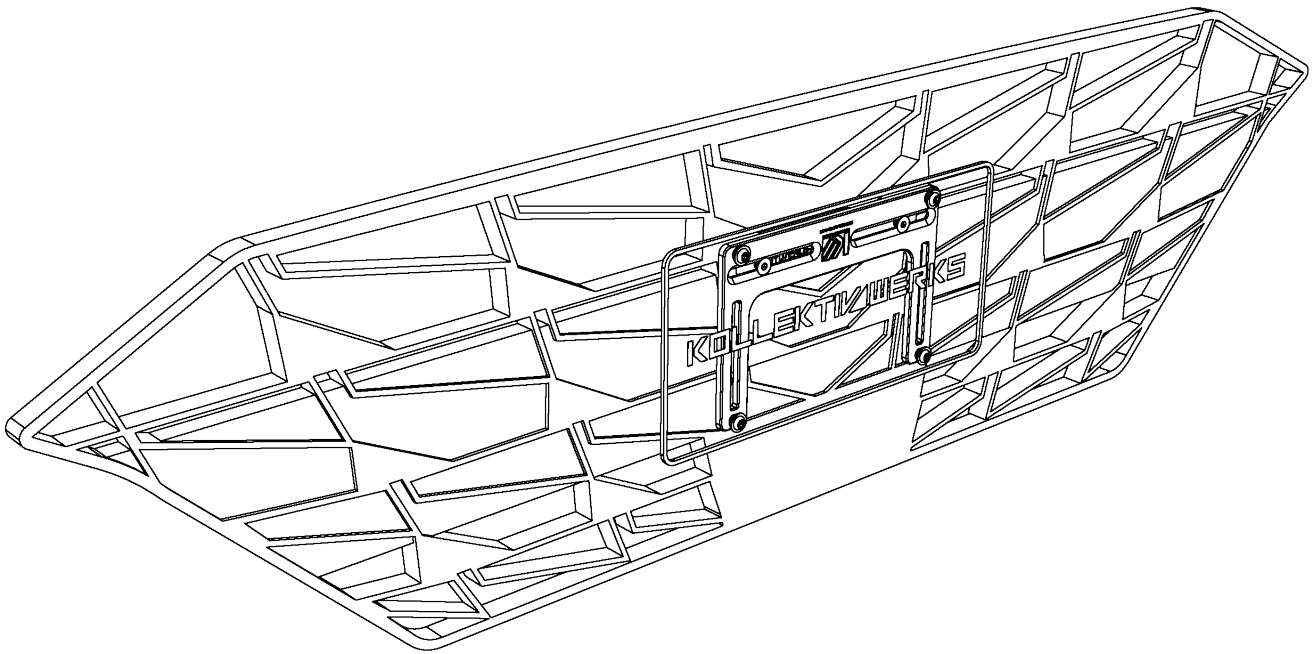


**KOLLEKTIVWERKS**  
NO DRILL CENTER MOUNT LICENCE PLATE HOLDER

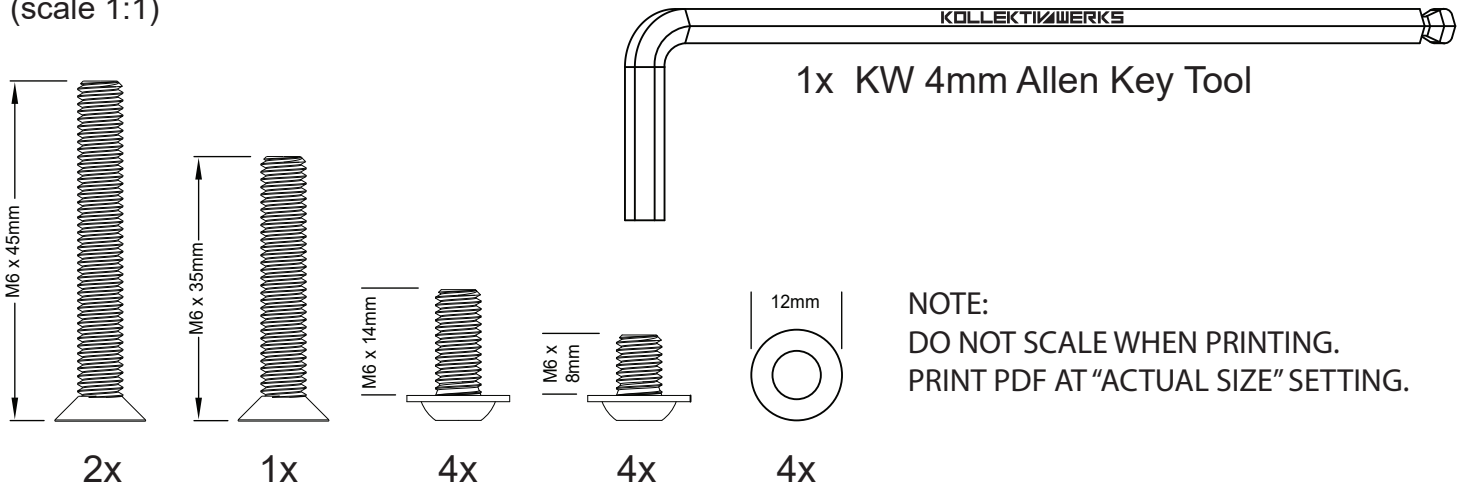
INSTALLATION GUIDE

SKU: HYU7ENLB

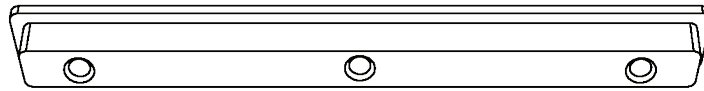
# HYUNDAI - 7TH GEN ELANTA N-LINE



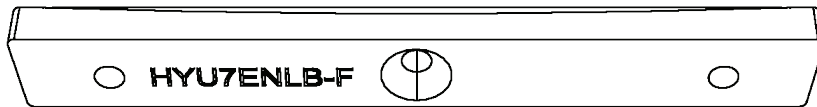
Bill of material:  
(scale 1:1)



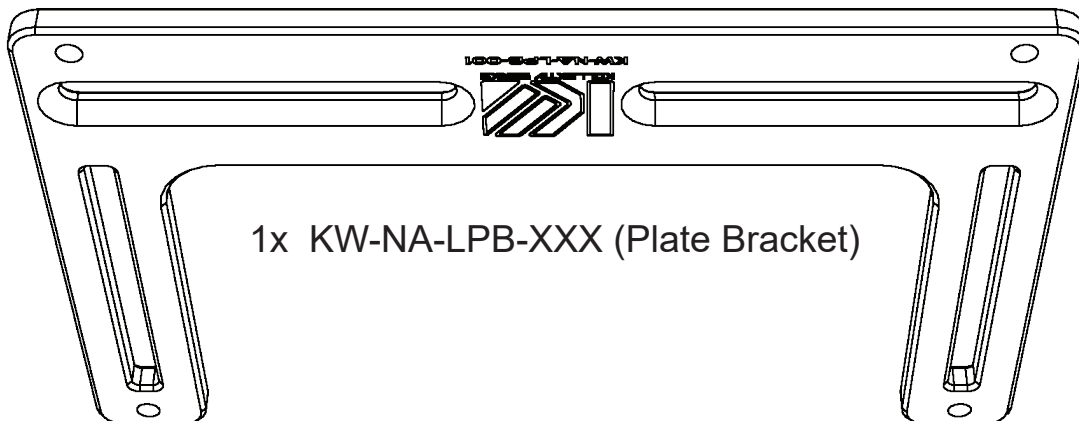
Component list:  
(not to scale)



1x HYU7ENLB-B (Back Plate)

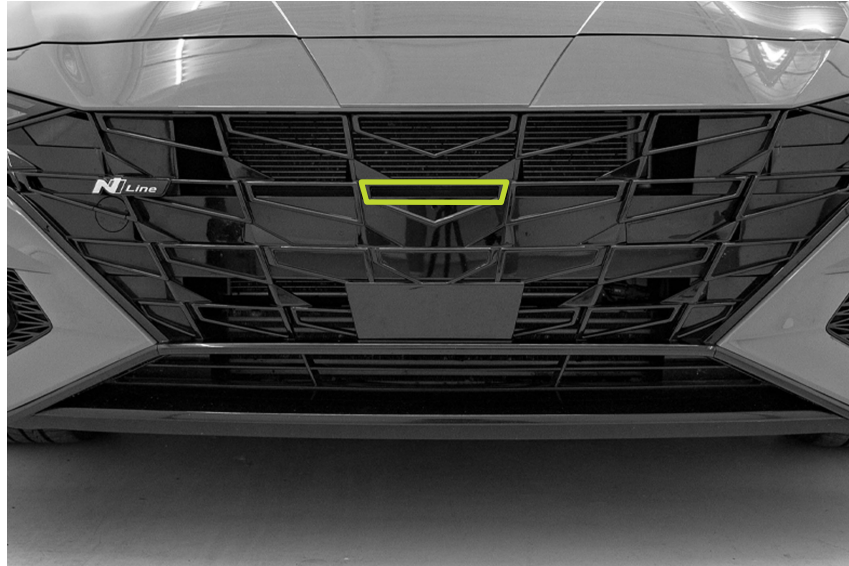


1x HYU7ENLB-F (Front Plate)

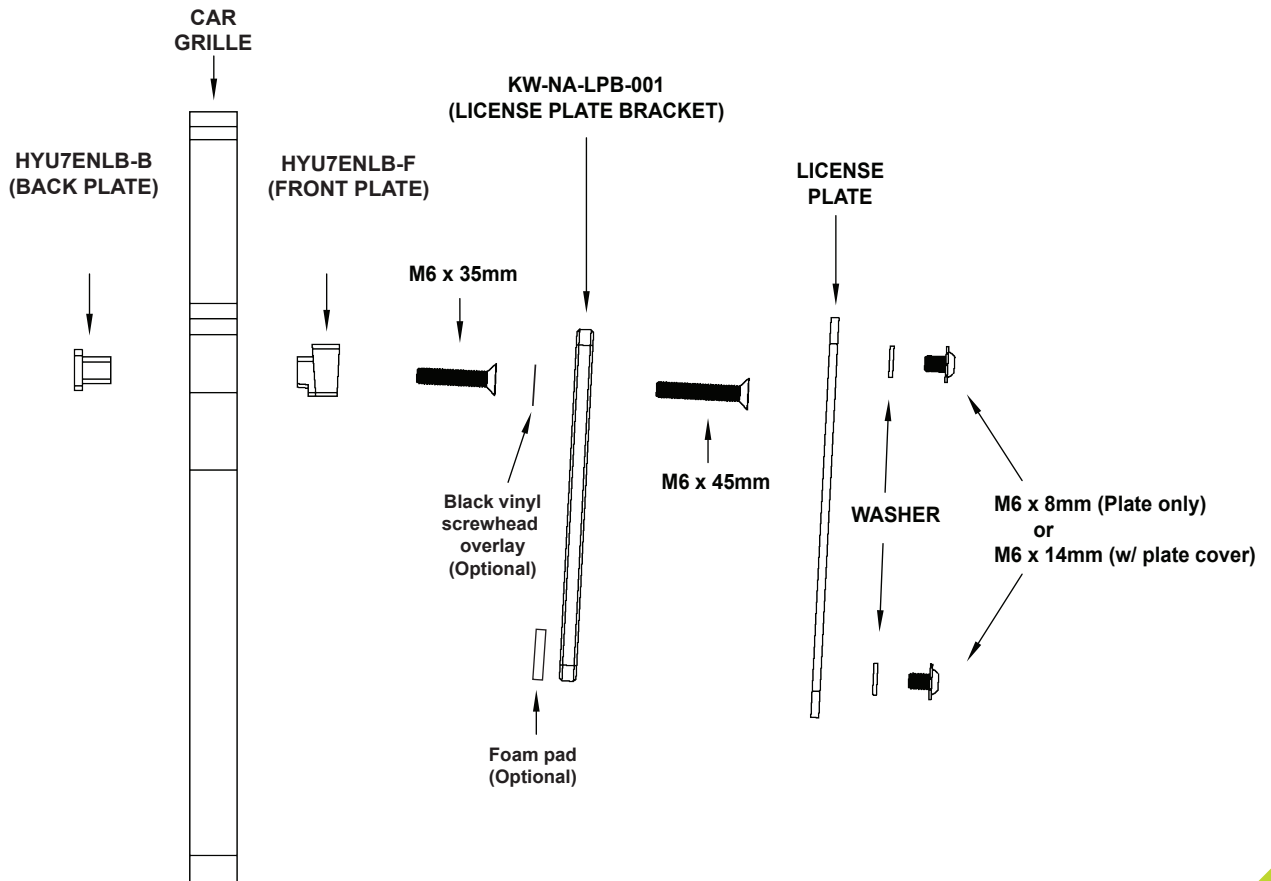


# IMPORTANT!

To be installed in highlighted location only!

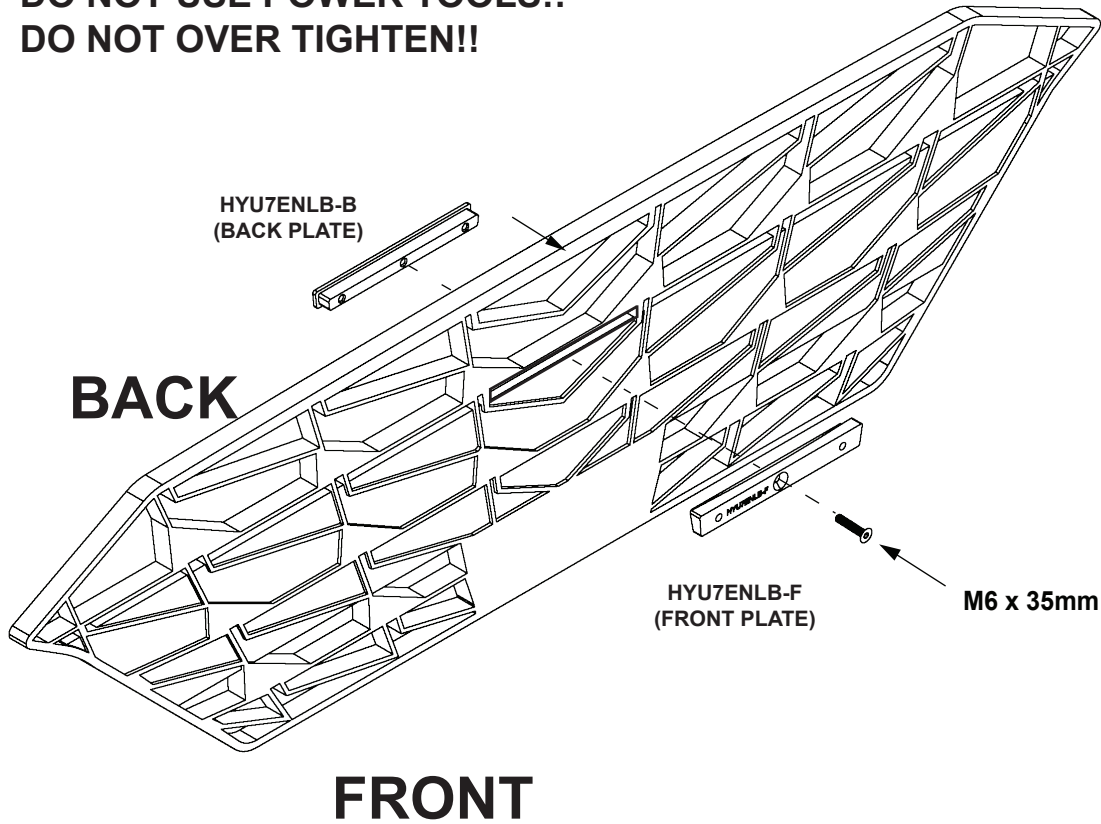


Assembly Side View:

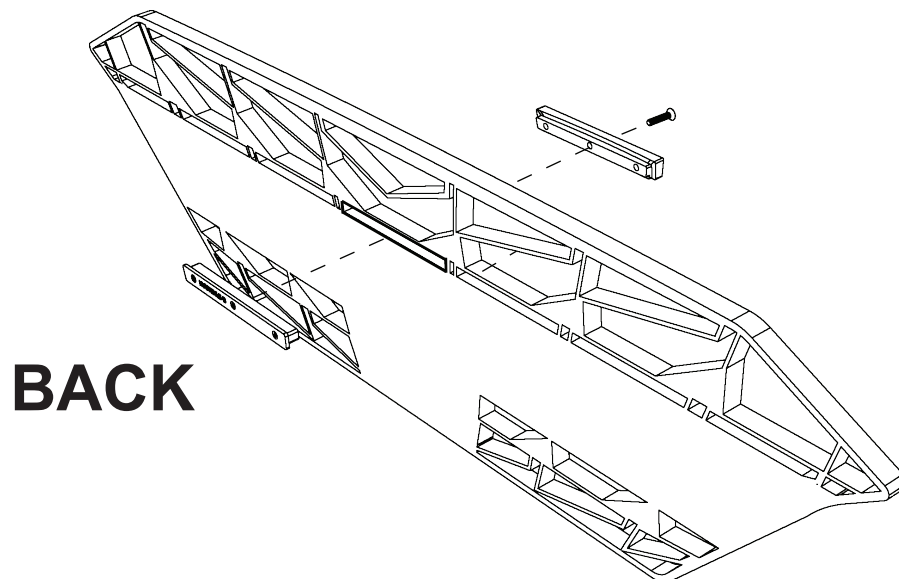


- 1 Insert back plate into the grille and bolt together with front plate. Ensure writing is upright .

**DO NOT USE POWER TOOLS!!**  
**DO NOT OVER TIGHTEN!!**

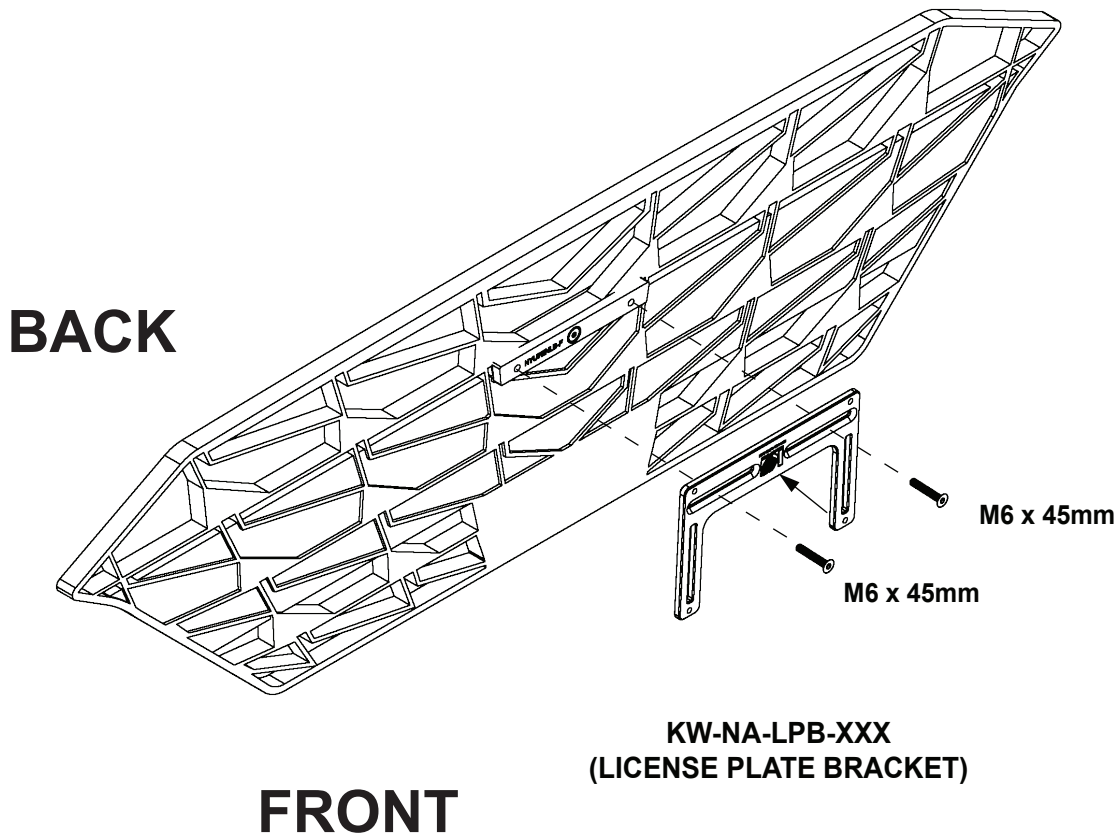


**FRONT**

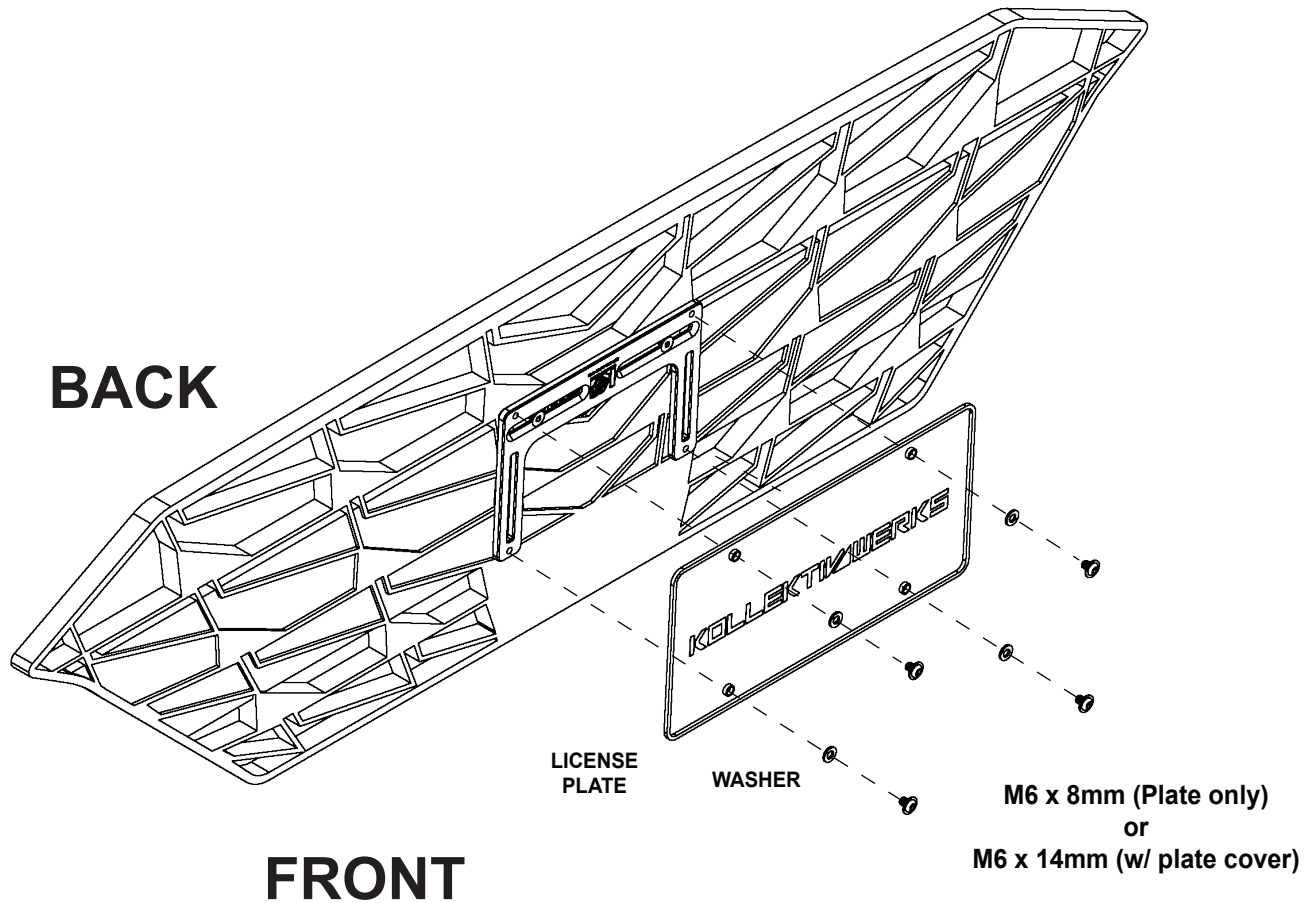


**2** Install bracket as shown. Center bracket and tighten.  
Ensure writing is upright.

**DO NOT USE POWER TOOLS!!**  
**DO NOT OVER TIGHTEN!!**



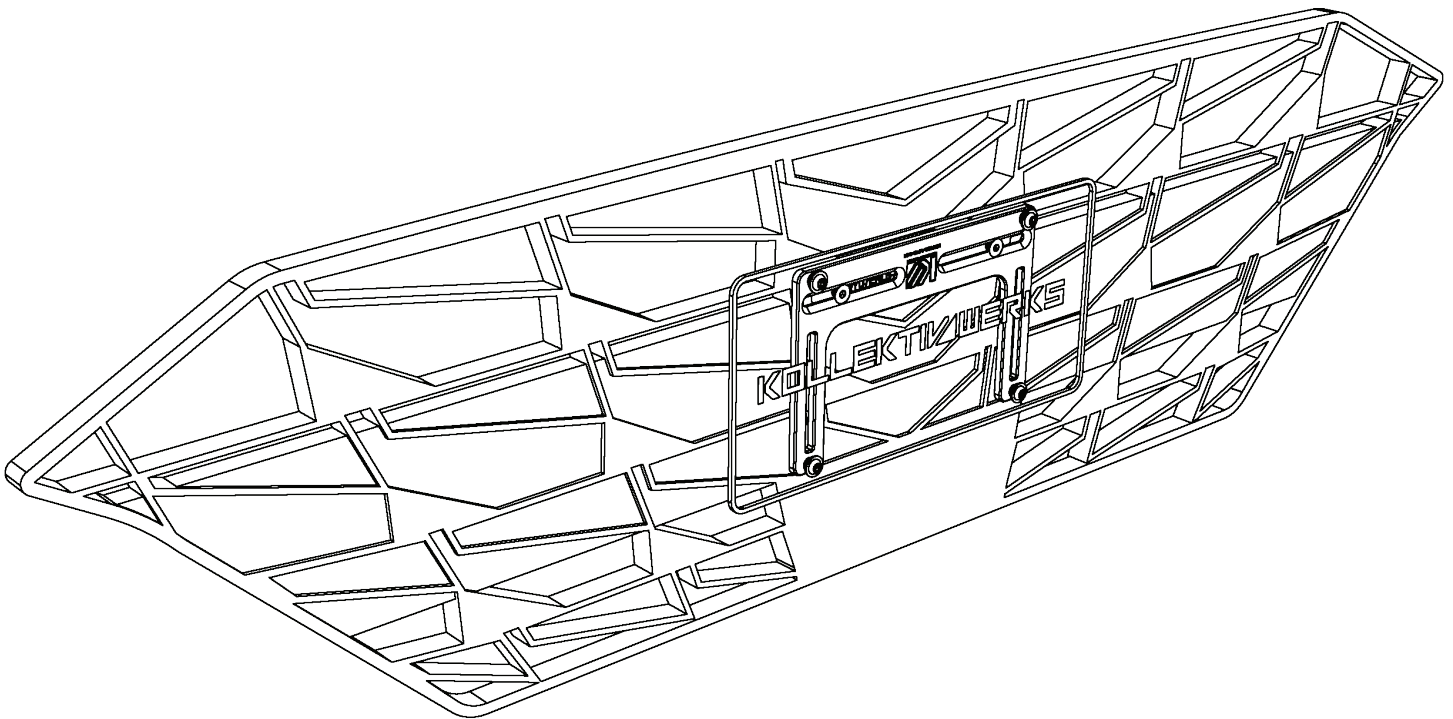
- 3** Install license plate to license plate bracket.  
Install M6x14mm bolts with a license plate cover otherwise use M6x8mm bolts.



Lorem ipsum



**4** Enjoy your new KW license plate holder!



For customer support please email [support@kollektivwerks.com](mailto:support@kollektivwerks.com)

