

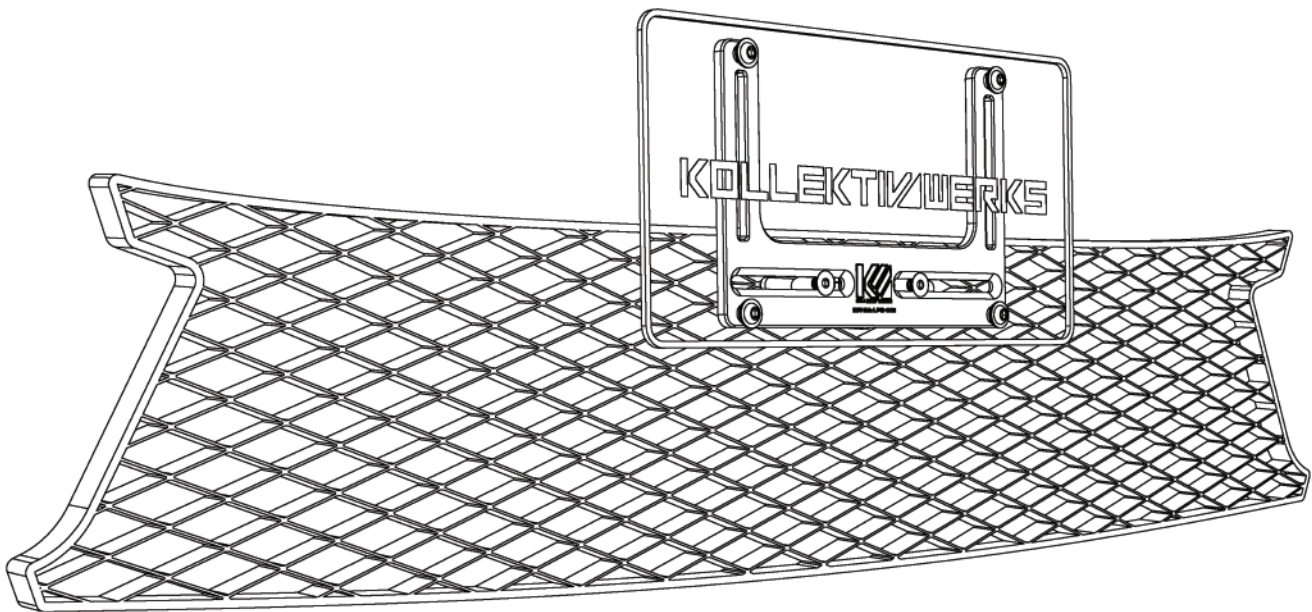


KOLLEKTIVWERKS
NO DRILL CENTER MOUNT LICENCE PLATE HOLDER

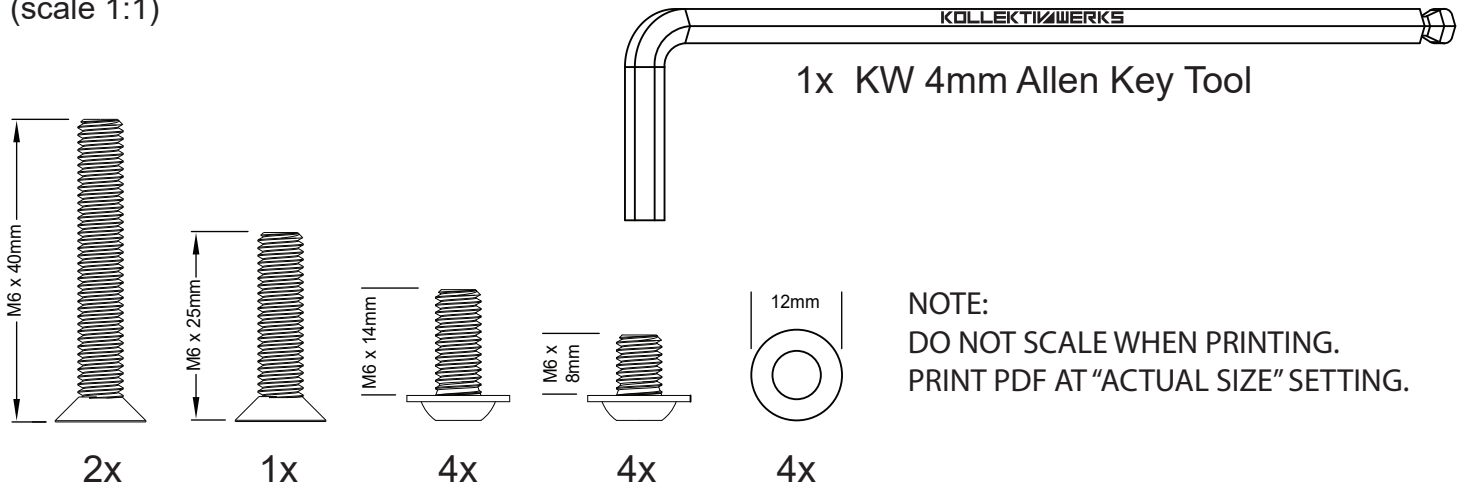
INSTALLATION GUIDE

SKU: HON10CTR8

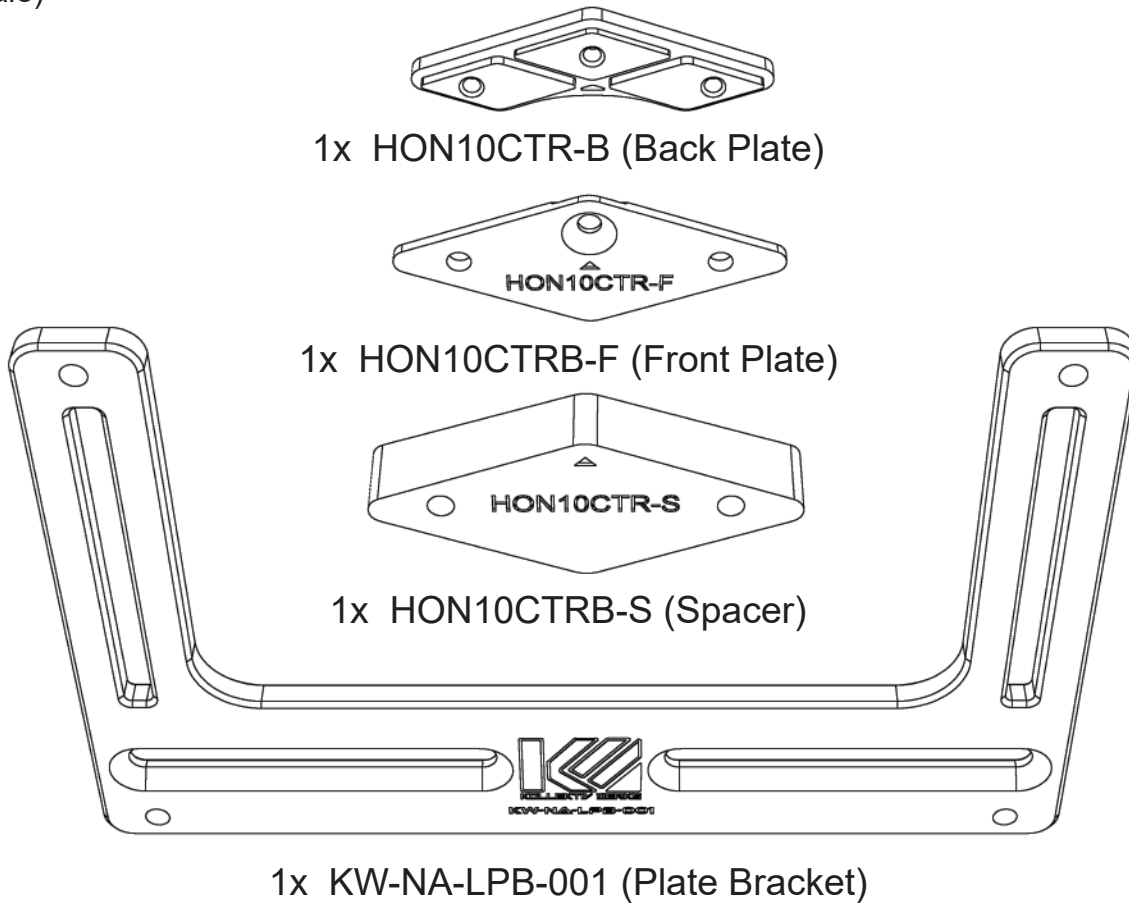
HONDA FK8 CIVIC TYPE-R (ORIENTATION 1)



Bill of material:
(scale 1:1)



Component list:
(not to scale)

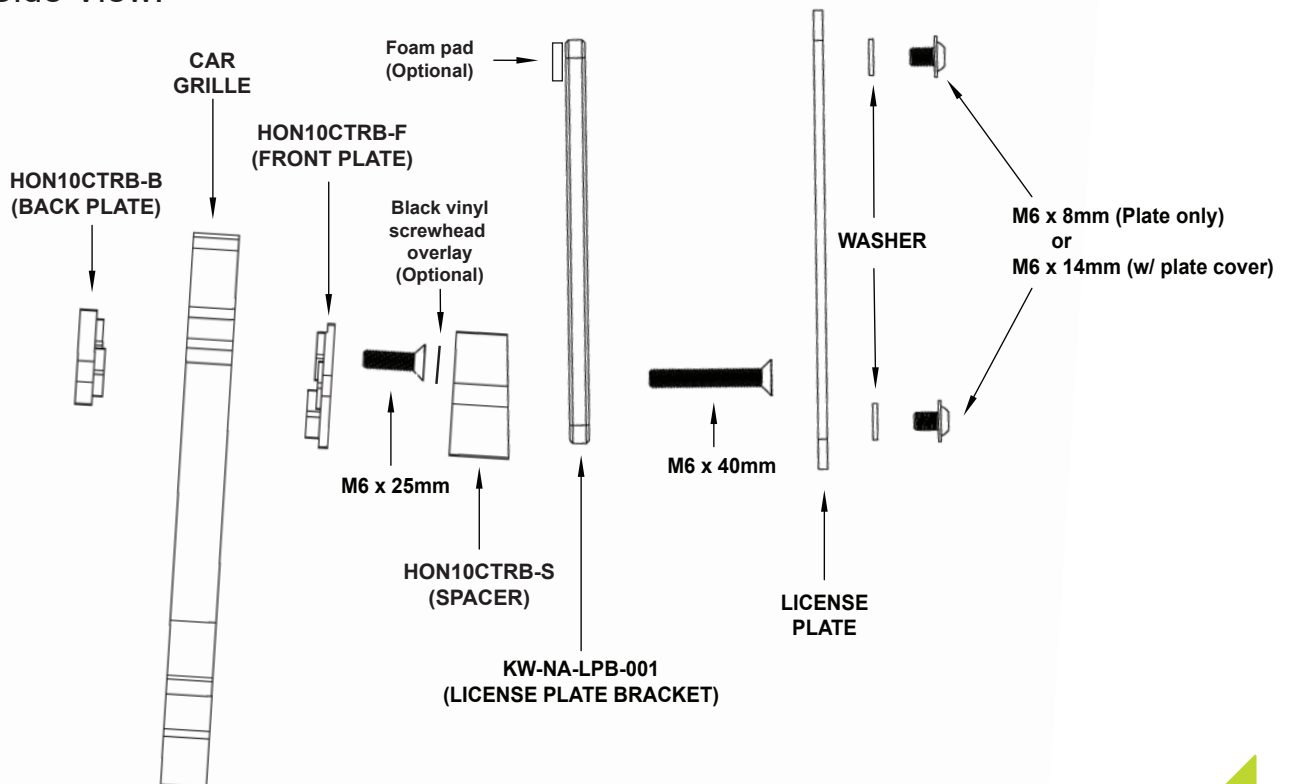


IMPORTANT!

To be installed in highlighted location only!



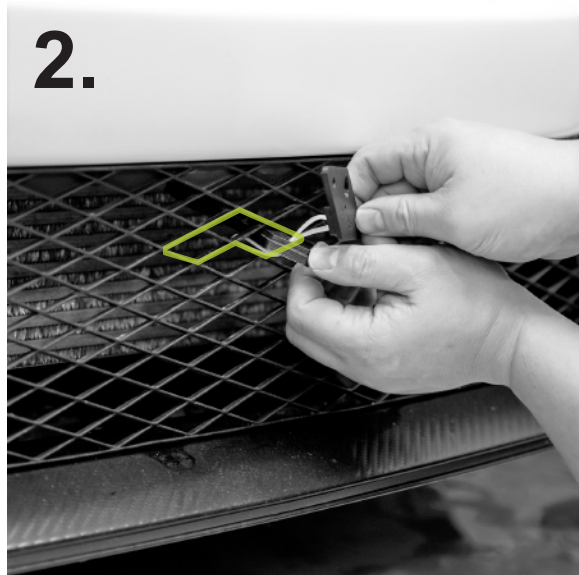
Assembly Side View:



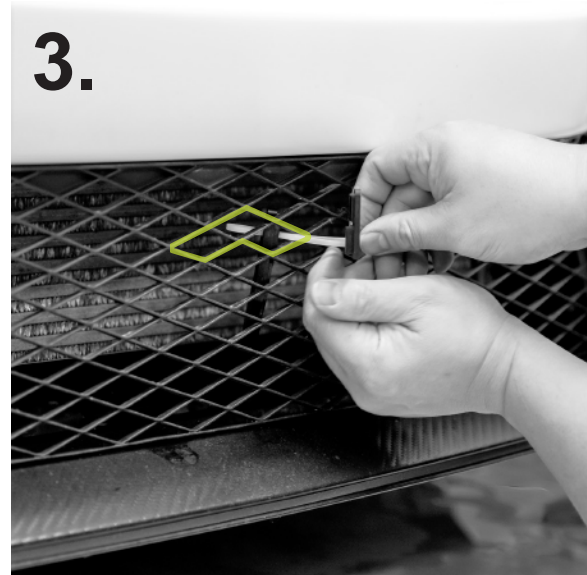
Optional PPF (Paint protection film) to be installed in highlighted location directly behind where the top of the license plate bracket.



1. Fold zip-tie and insert into the right side hole of the front and the back plate.



2. Insert back plate with zip-tie in the right opening of the grille.



3. Once inserted align the back and front plate into install position.



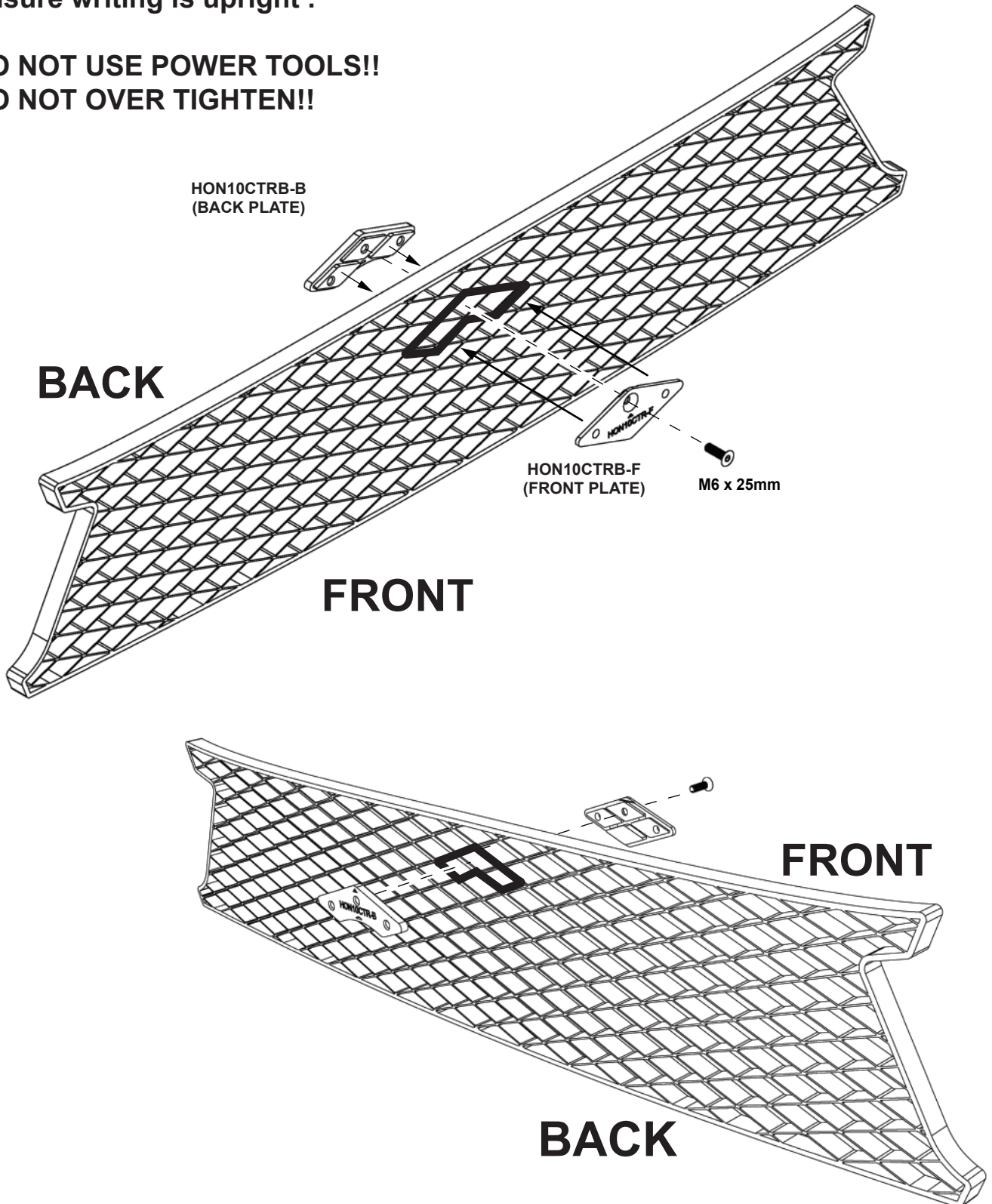
4. Once inserted align the back and front plate into install position.



5. Install the M6x25mm bolt (Do not over tighten) and remove zip-tie

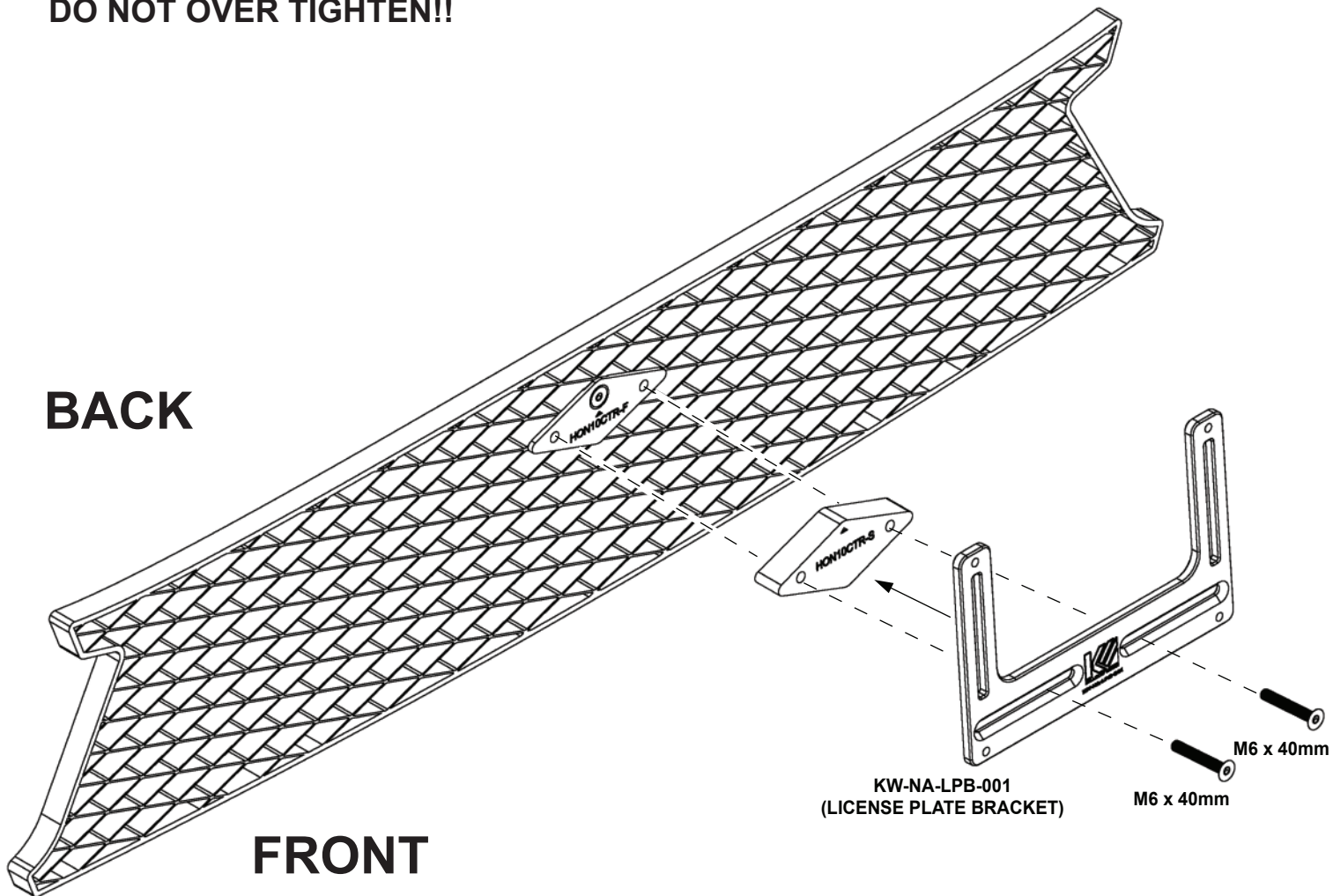
- 1 Insert back plate into the grille and bolt together with front plate. Ensure writing is upright .

DO NOT USE POWER TOOLS!!
DO NOT OVER TIGHTEN!!

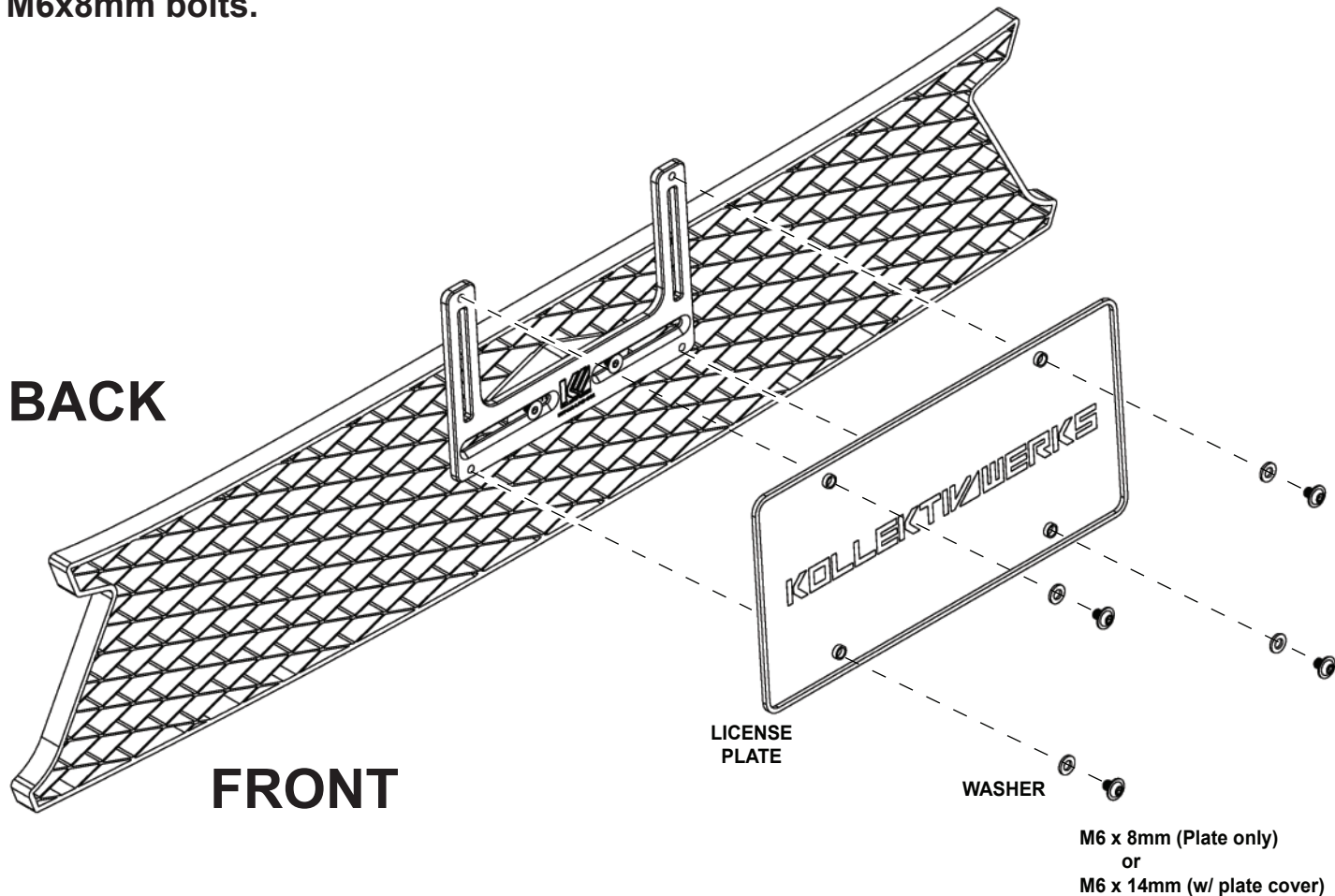


2 Install spacer and bracket as shown. Center bracket and tighten.
Ensure writing is upright.

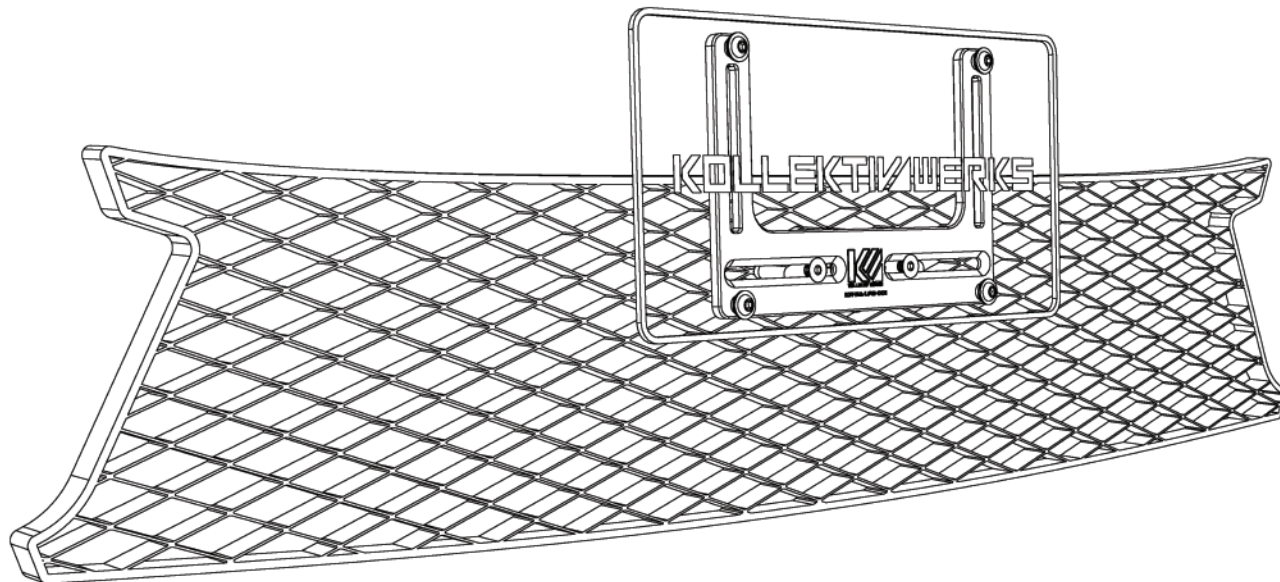
DO NOT USE POWER TOOLS!!
DO NOT OVER TIGHTEN!!



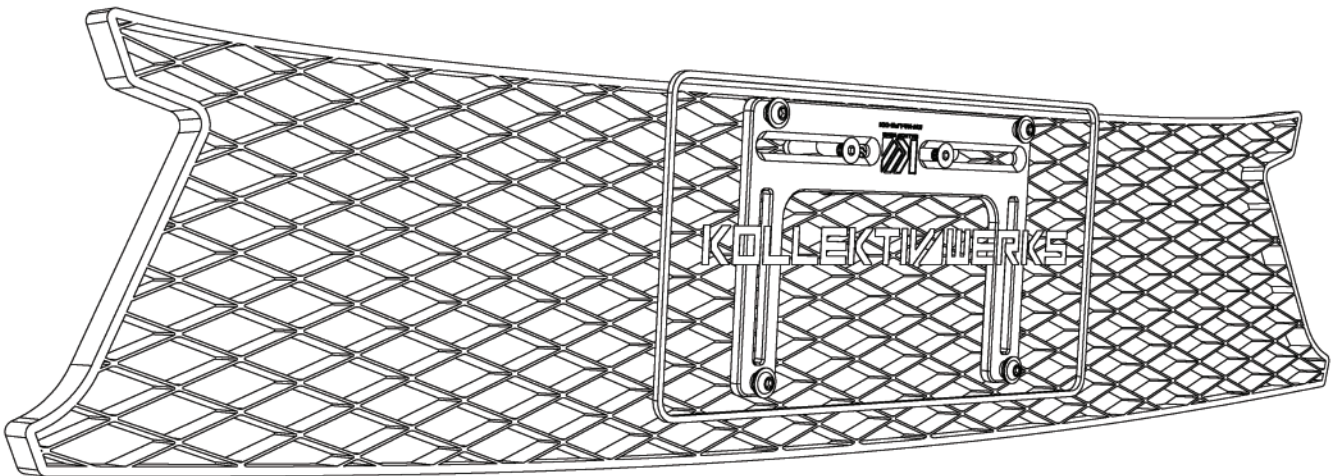
- 3** Install license plate to license plate bracket.
Install M6x14mm bolts with a license plate cover otherwise use M6x8mm bolts.



- 4** Enjoy your new KW license plate holder!

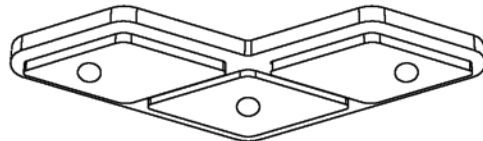


HONDA FK8 CIVIC TYPE-R (ORIENTATION 2)

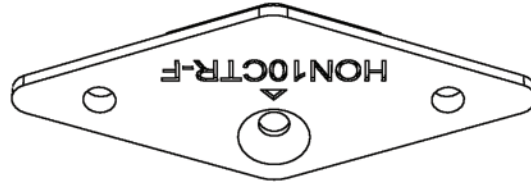


For the orientation 2 install all component are installed upside down.

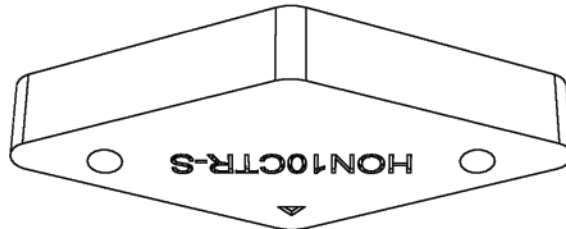
Component list:
(not to scale)



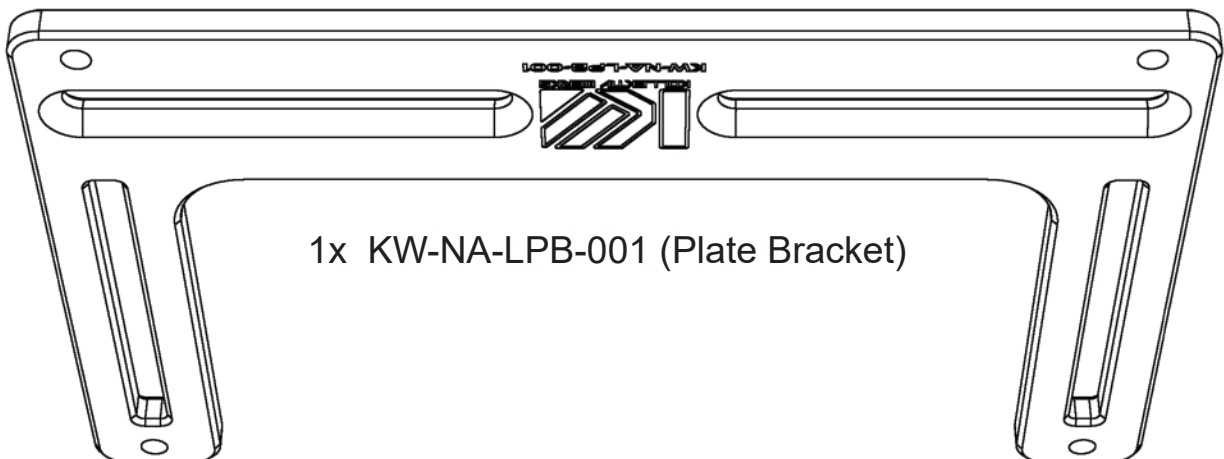
1x HON10CTR-B (Back Plate)



1x HON10CTR-F (Front Plate)



1x HON10CTR-S (Spacer)



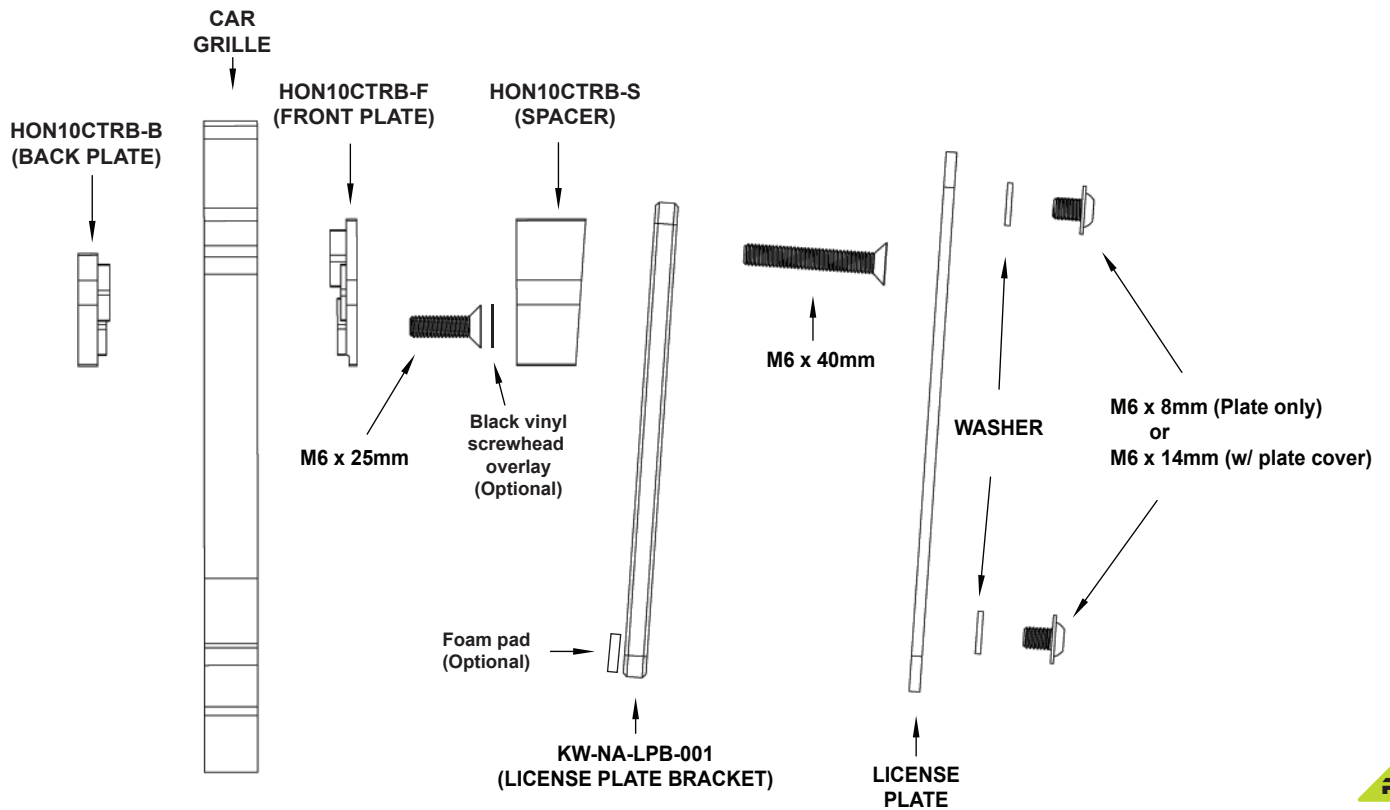
1x KW-NA-LPB-001 (Plate Bracket)

IMPORTANT!

To be installed in highlighted location only!

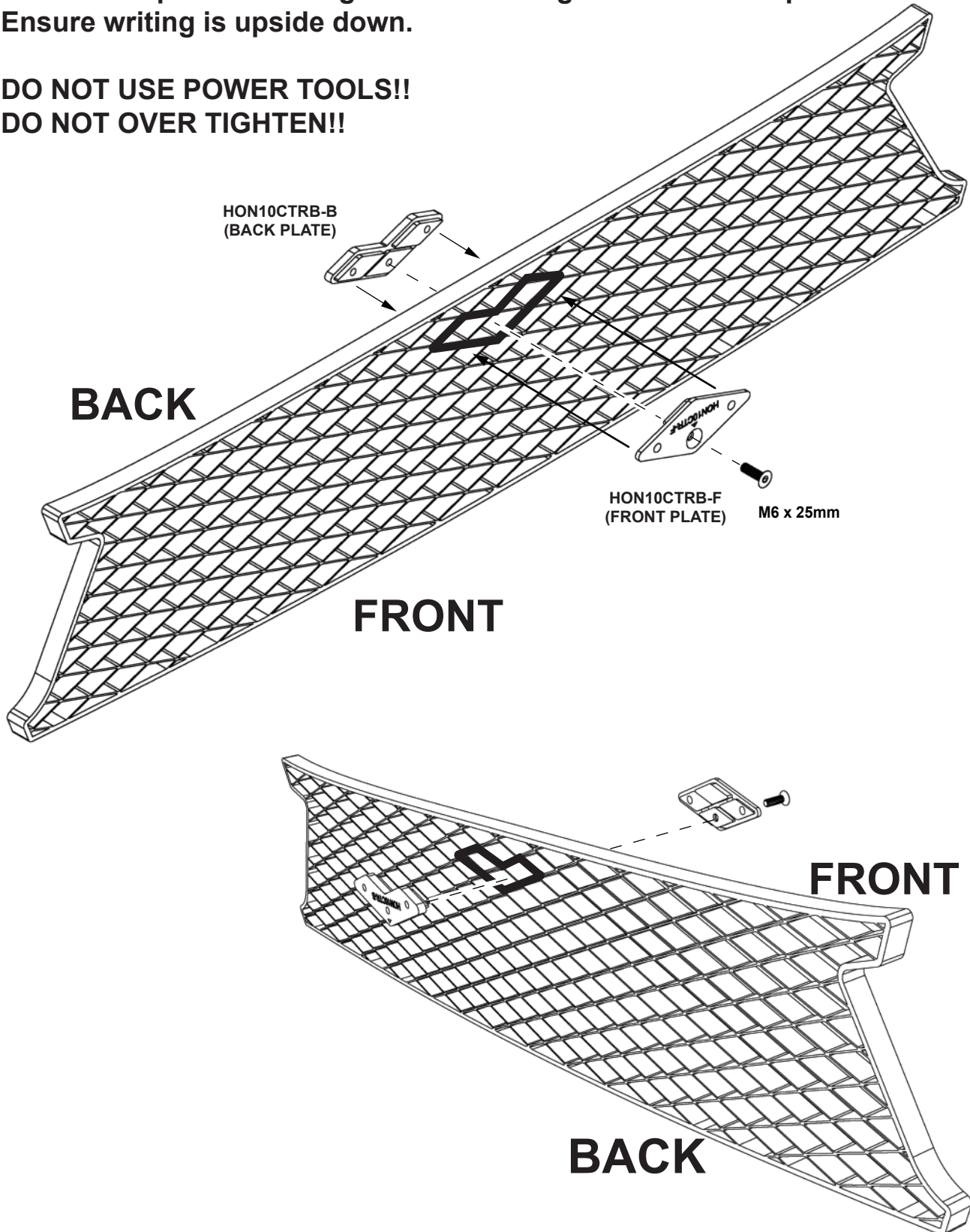


Assembly Side View:



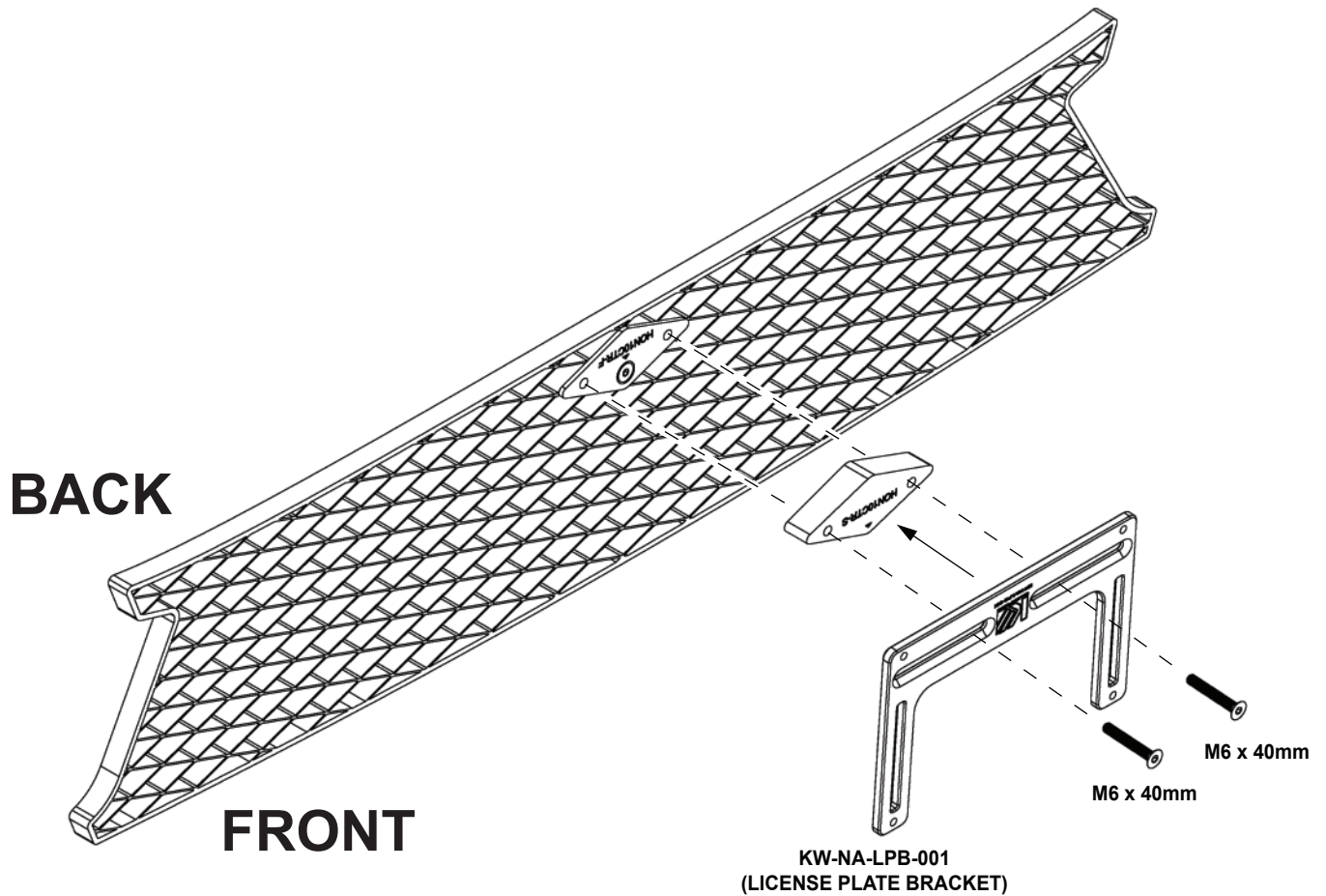
- 1 Insert back plate into the grille and bolt together with front plate. Ensure writing is upside down.

DO NOT USE POWER TOOLS!!
DO NOT OVER TIGHTEN!!

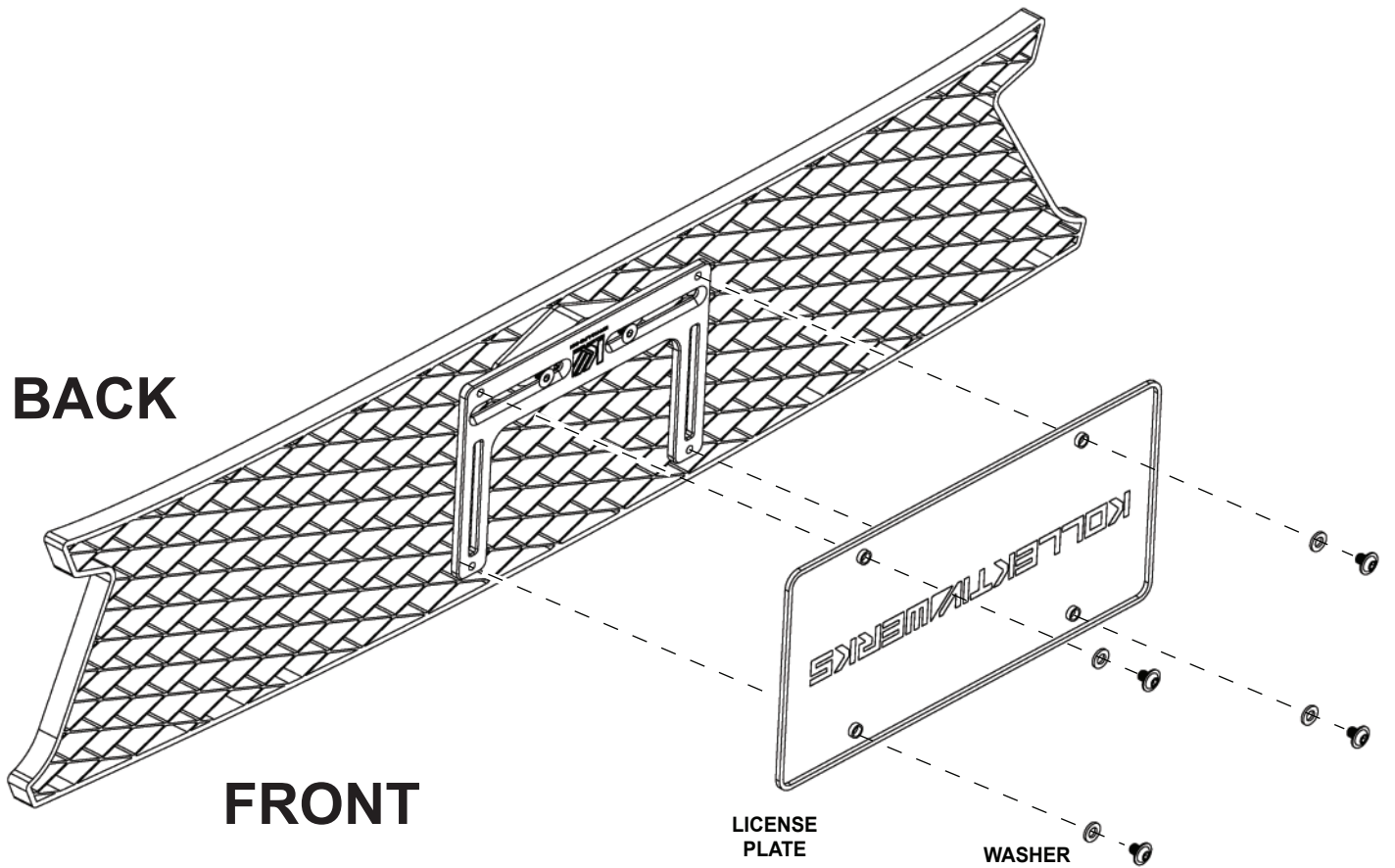


2 Install spacer and bracket as shown. Center bracket and tighten.
Ensure writing is upright.

DO NOT USE POWER TOOLS!!
DO NOT OVER TIGHTEN!!

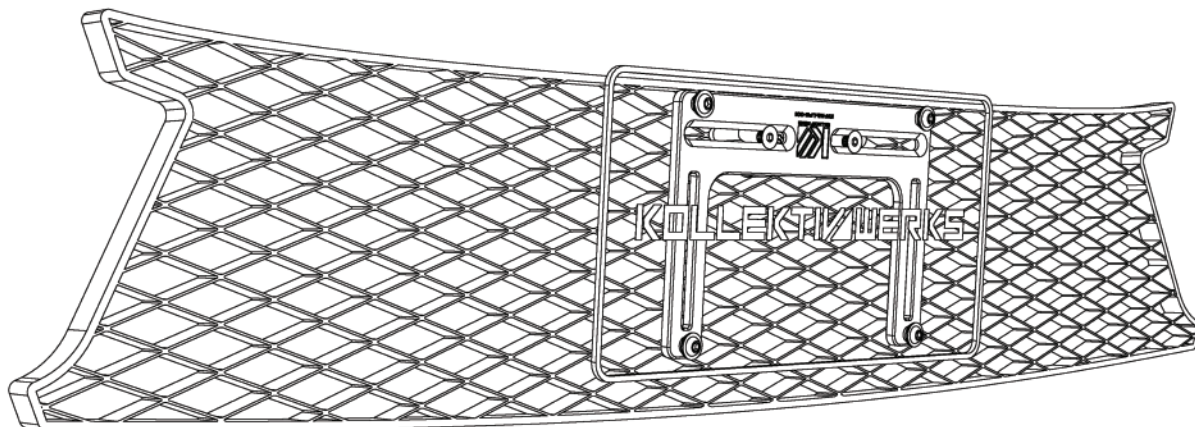


- 3** Install license plate to license plate bracket.
 Install M6x14mm bolts with a license plate cover otherwise use M6x8mm bolts.



M6 x 8mm (Plate only)
 or
 M6 x 14mm (w/ plate cover)

- 4** Enjoy your new KW license plate holder!



For customer support please email support@kollektivwerks.com