



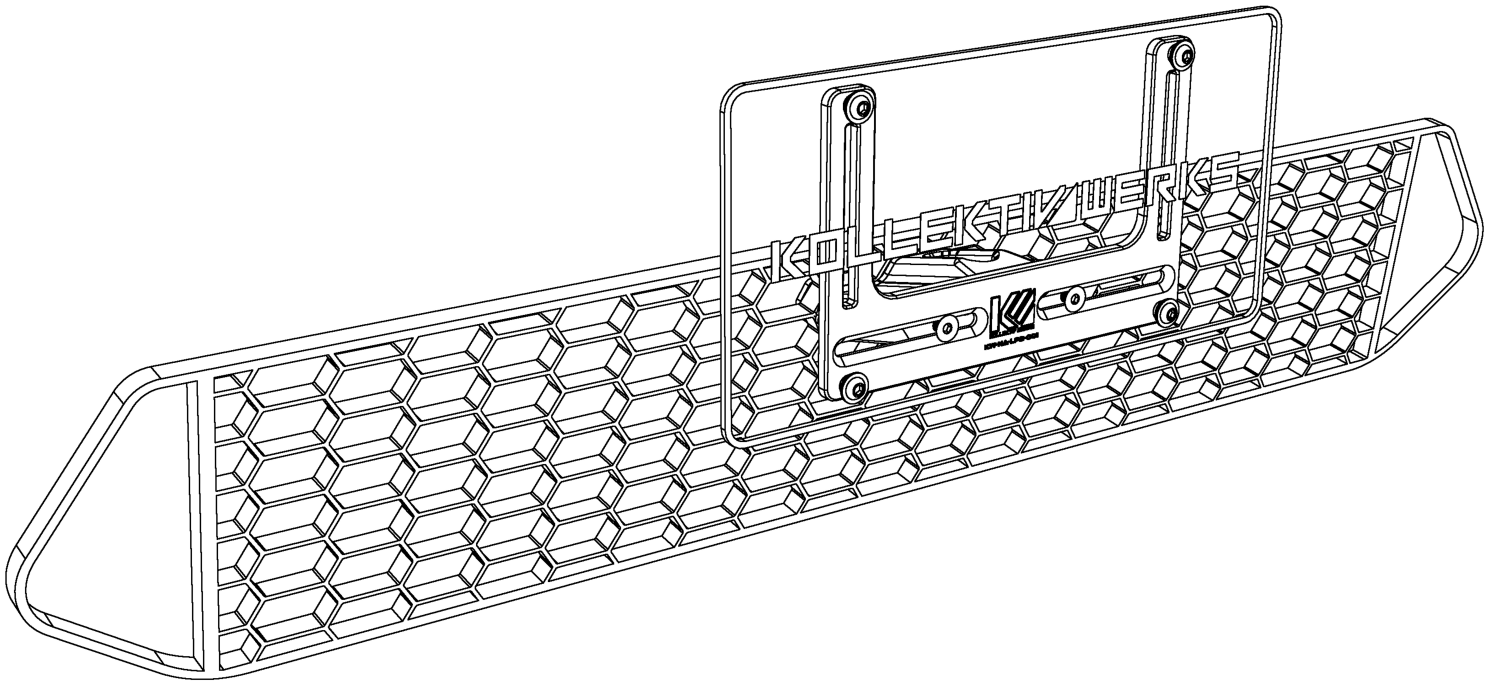
KOLLEKTIVWERKS

NO DRILL CENTER MOUNT LICENCE PLATE HOLDER

INSTALLATION GUIDE

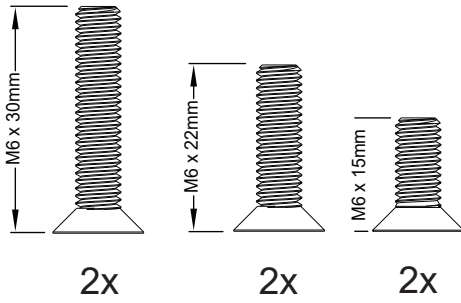
SKU: BMWF87M2B

BMW M2 (F87) (2016-2021)





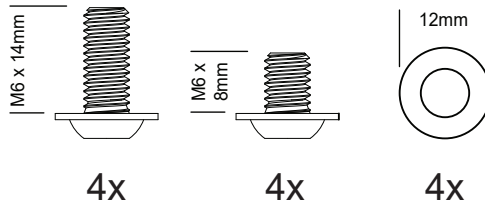
1x KW 4mm Allen Key Tool



2x

2x

2x



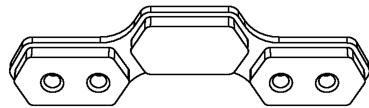
4x

4x

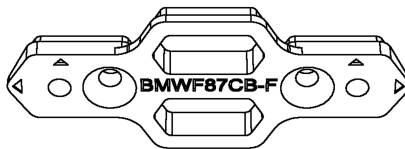
4x

NOTE:
DO NOT SCALE WHEN PRINTING.
PRINT PDF AT "ACTUAL SIZE" SETTING.

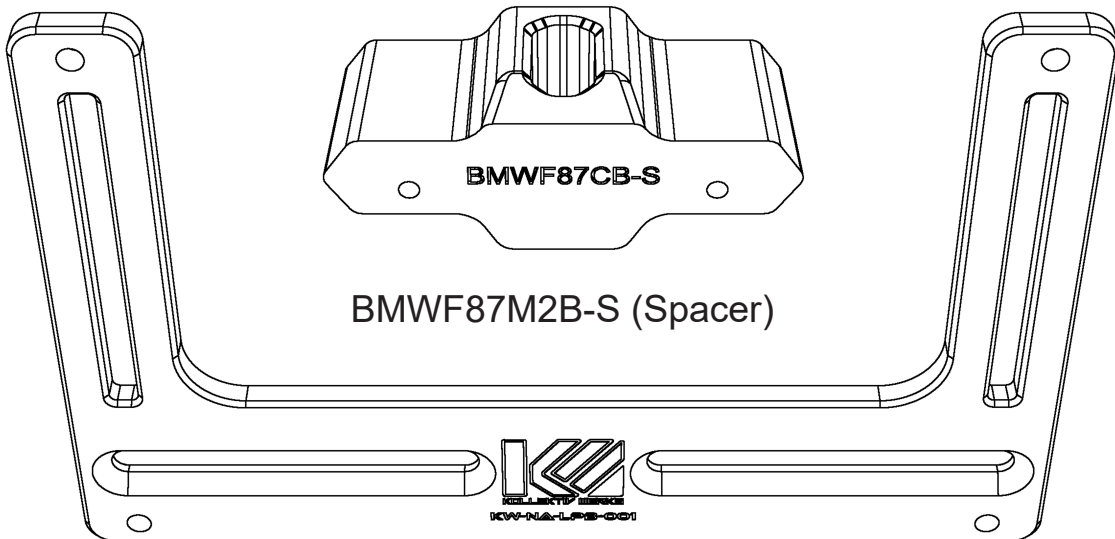
Component list:
(not to scale)



BMW F87M2B-B (Back Plate)



BMW F87M2B-F (Front Plate)



BMW F87M2B-S (Spacer)

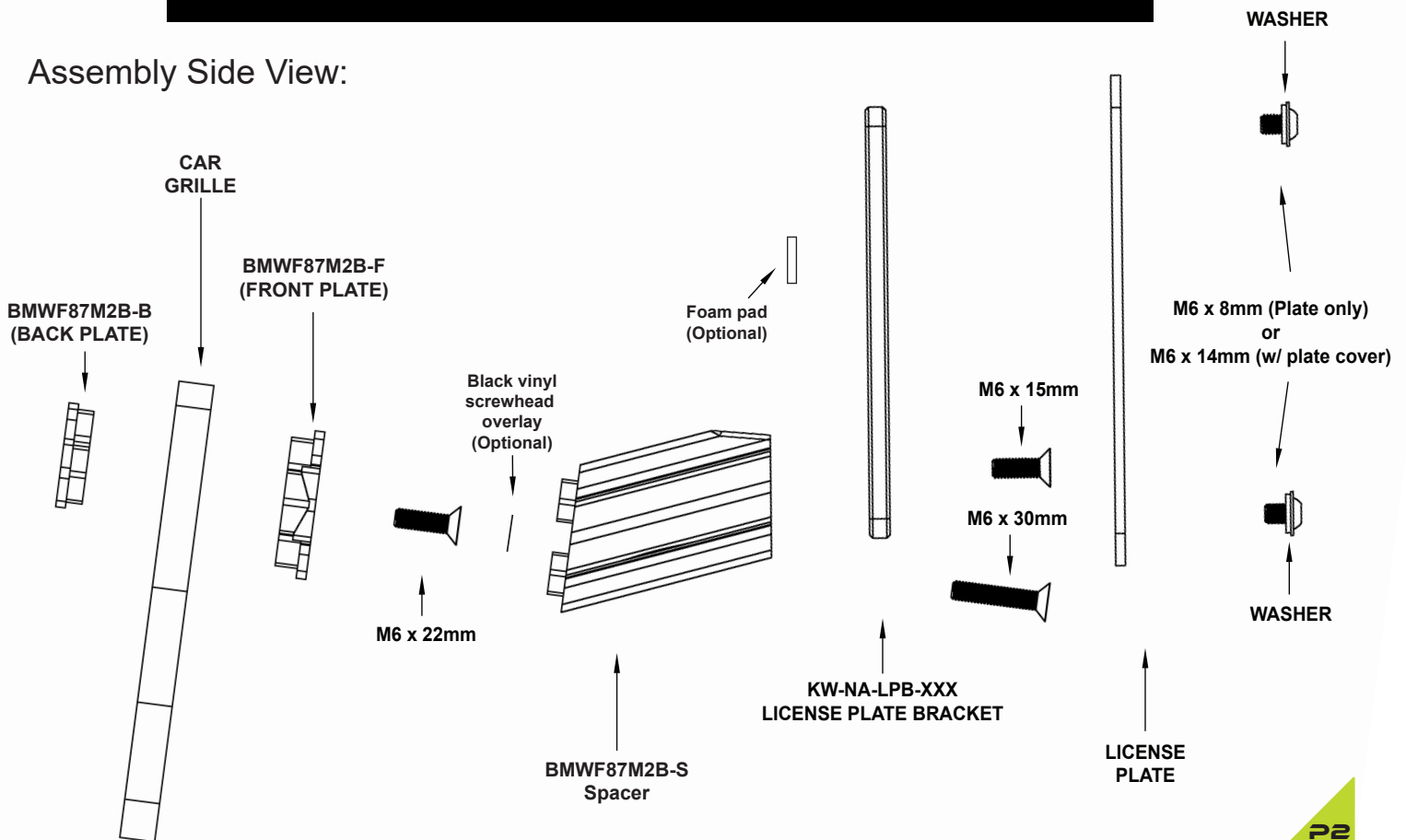
(Plate Bracket)

IMPORTANT!

To be installed in highlighted location only!

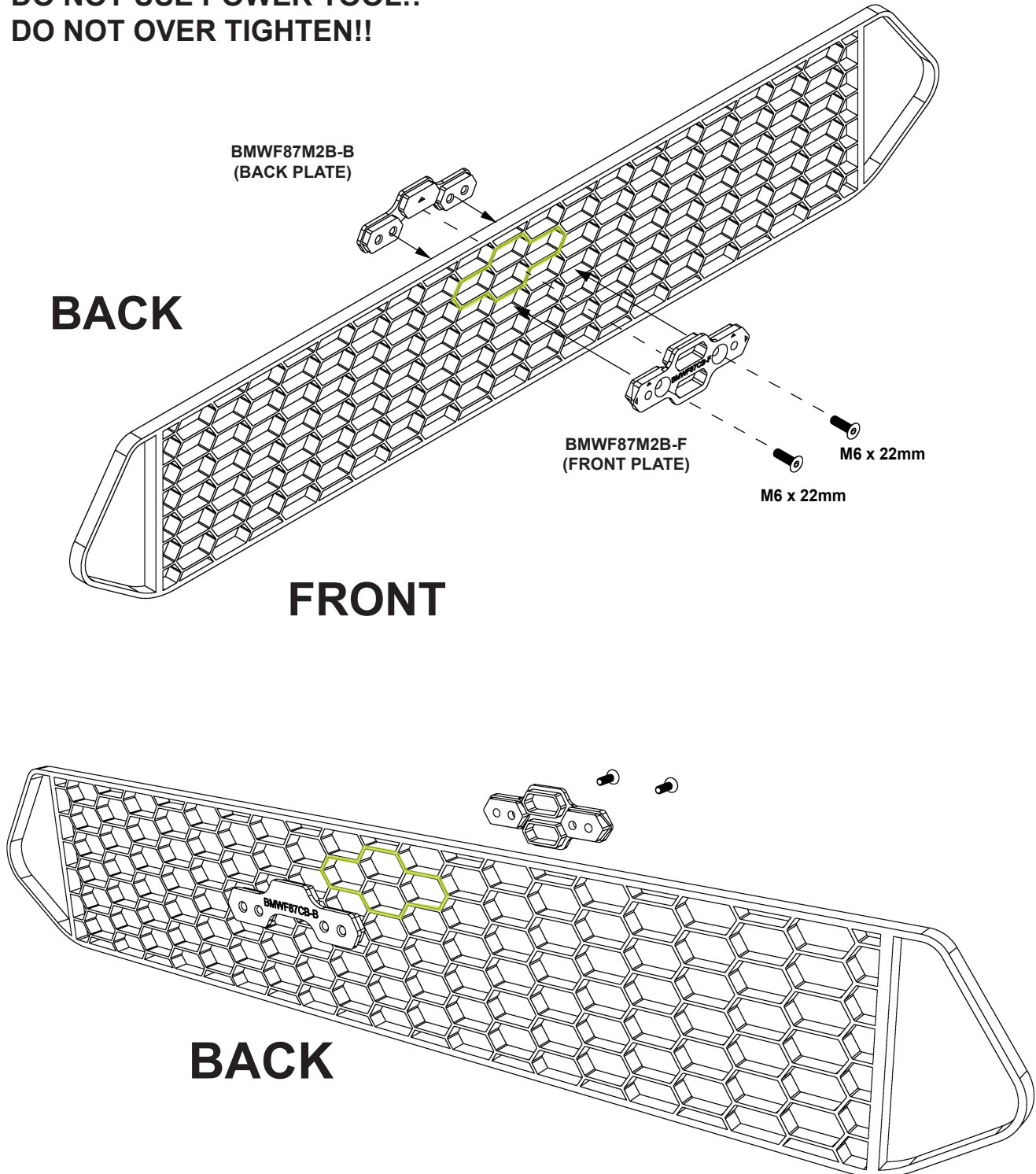


Assembly Side View:



- 1 Insert back plate into the grille and bolt together with front plate. Ensure writing is upright and the arrows point to the outside.

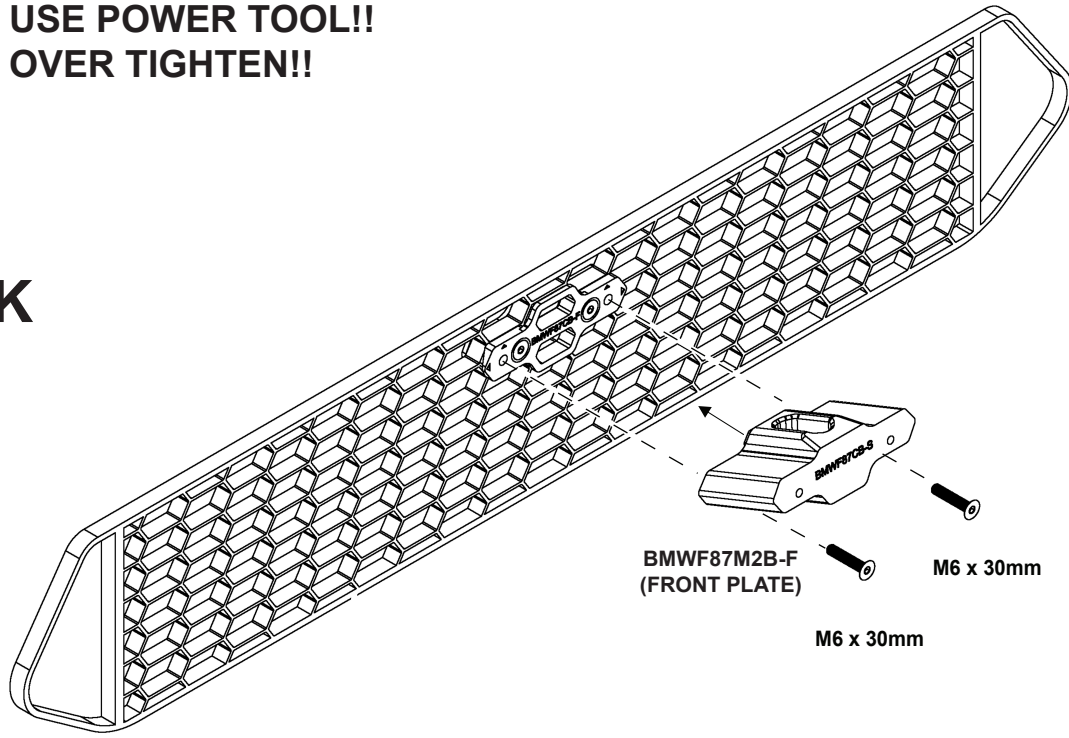
DO NOT USE POWER TOOL!!
DO NOT OVER TIGHTEN!!



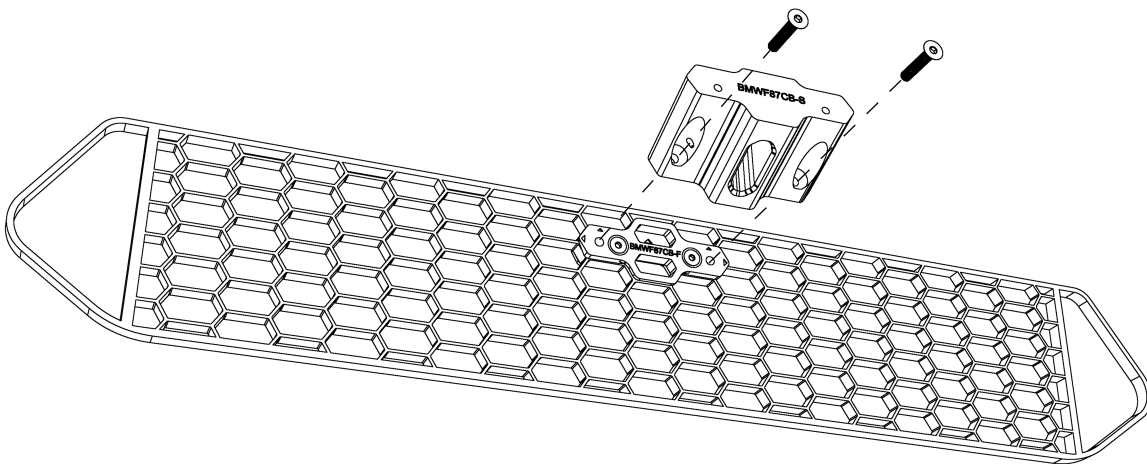
2 Install spacer as shown. Ensure writing is upright.

**DO NOT USE POWER TOOL!!
DO NOT OVER TIGHTEN!!**

BACK

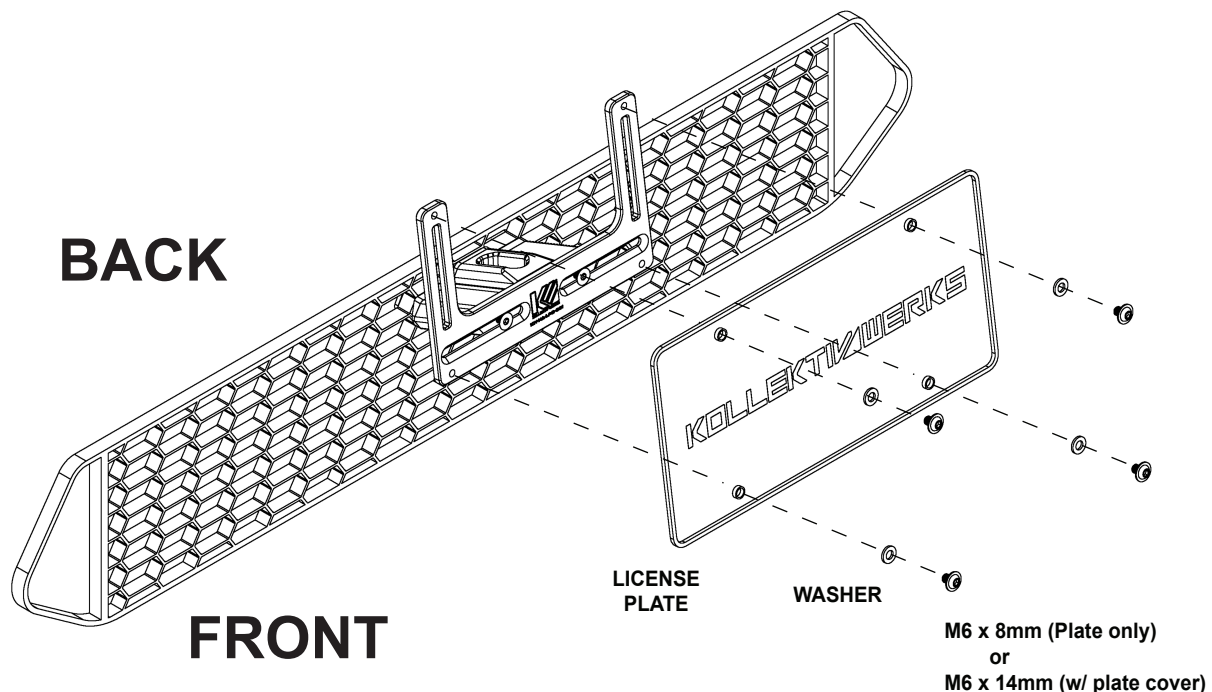
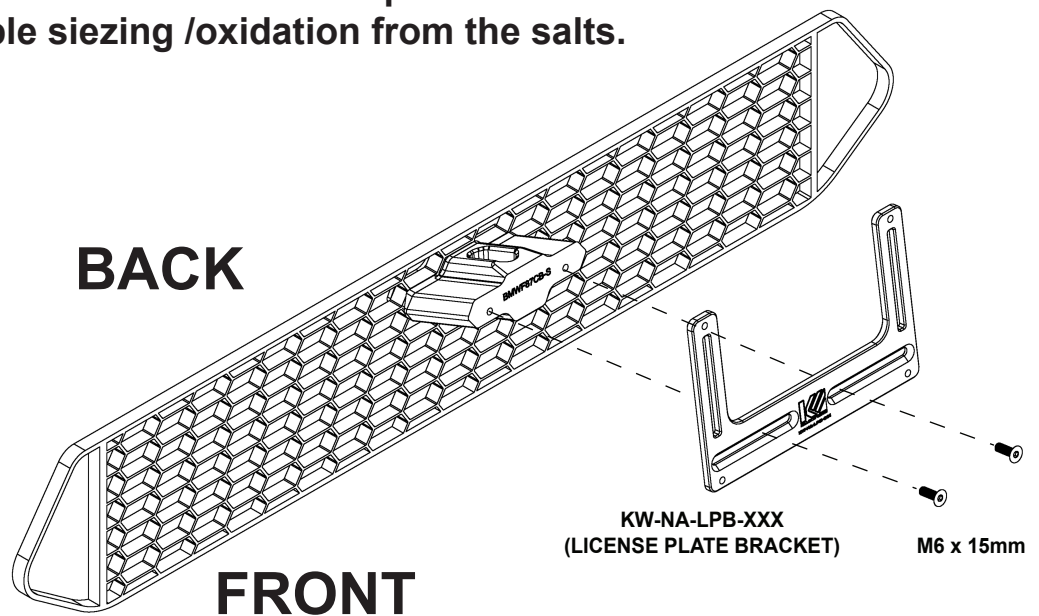


FRONT

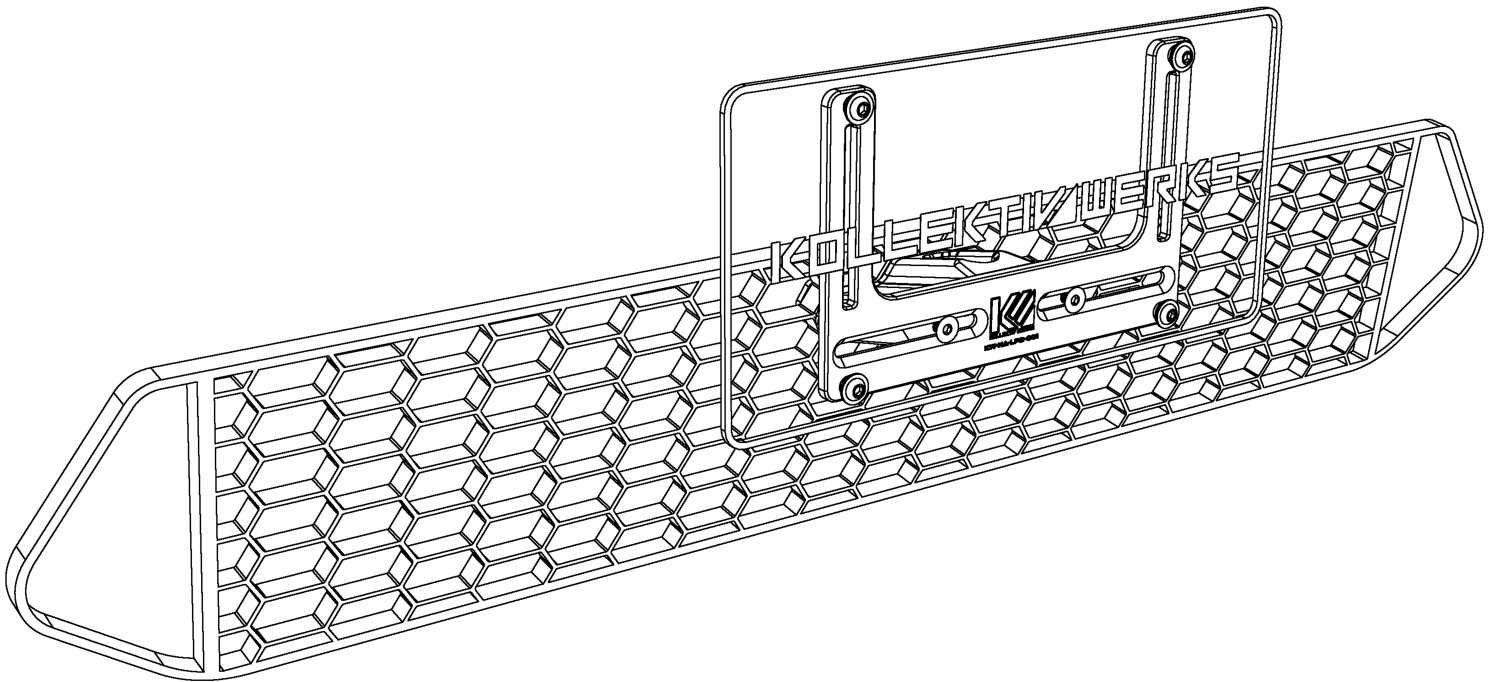


3 Install license plate bracket then the license plate to license plate bracket. Install M6x14mm bolts with a license plate cover otherwise use M6x8mm bolts.

Optional: Use a thin coat of anti-sieze on the bolts during the winter season to protect from possible siezing /oxidation from the salts.



4 Enjoy your new KW license plate holder!



For customer support please email support@kollektivwerks.com

