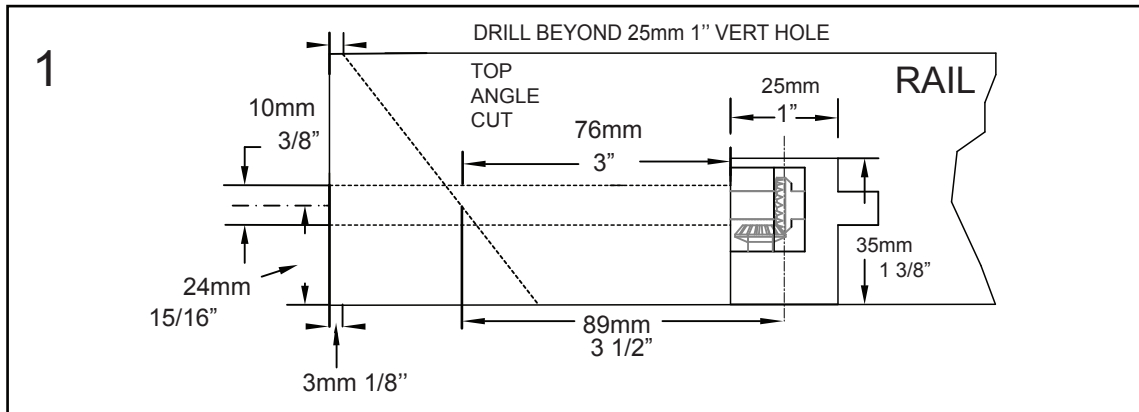


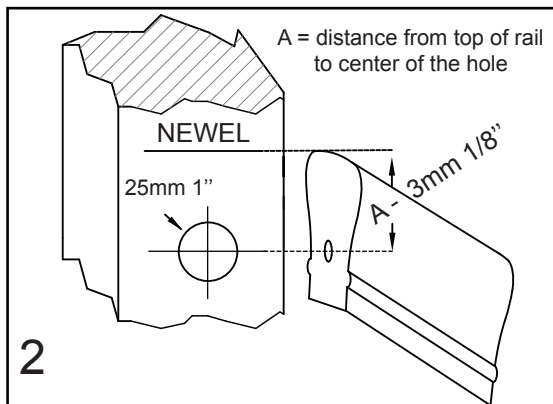
Installation Instructions

ANGLED SLIPFIX RAILBOLT

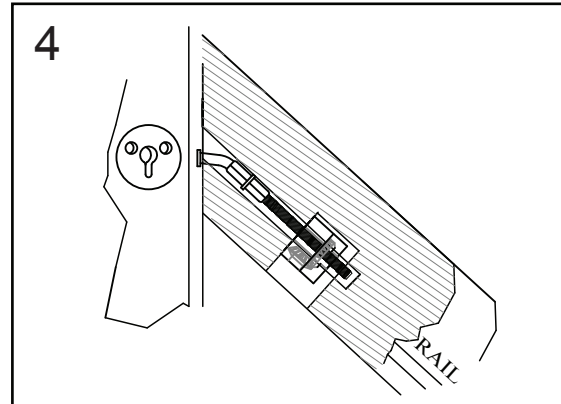


Cut rail 90 degrees square. Then mark proper angle on railing 3mm 1/8" in from end of 90 degree cut. Mark center of rail on 90 degree cut, up 24mm 15/16" from bottom of rail. Drill a 25mm 1" dia. hole in bottom of rail on centerline 89mm 3-1/2" from where the angle and 24mm 15/16" dimension intersect hole, should be 35mm 1-3/8" deep. Drill a 10mm 3/8" dia hole in end of the rail. Hole should be 101mm 4" deep drilling past 25mm 1" hole.

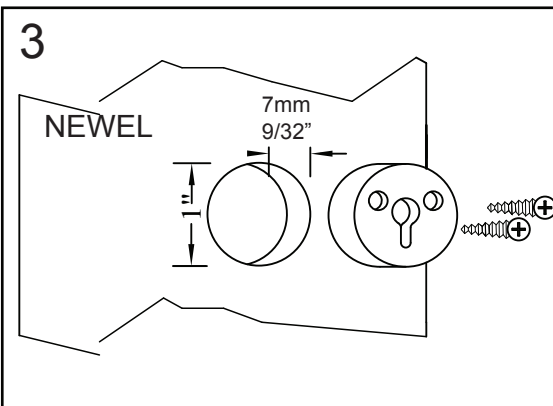
Note: It is very important that 10mm 3/8" hole is drilled before cutting the angle of the rail.



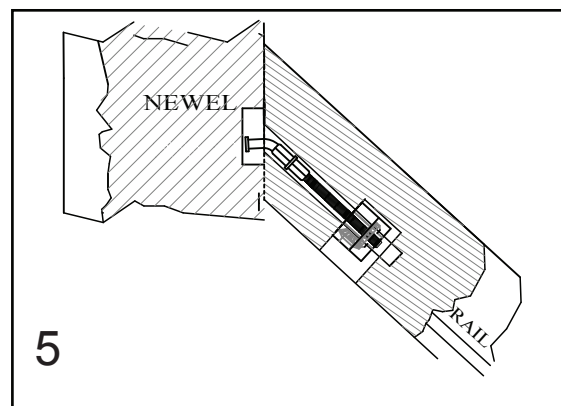
Cut rail at pitch from 3mm 1/8" mark. Measure distance from top of rail to center (A) of 10mm 3/8" hole on pitch (Note the measure) Now, mark a line on the newel that represents the top of pitch cut which is top of the rail. Then measure down the distance from top of rail to center of 10mm 3/8" hole (A) and subtract 3mm 1/8" this is the center of the disc.



Slide rail on bolt and "Dry Fit" to be sure of proper angle and fit. If another cut is needed take the least amount off to correct cut. The 10mm 3/8" deep hole that was drilled has allowed enough room for you to make this adjustment. Install bolt + gear head. Retract tip as far as you can to angle when sliding into position you may have to exert a small amount off pressure to newel to help slide tip into



Drill 25mm 1" hole 7mm 9/32" deep
Install keyhole discs so that it is flush or slightly under in post. Secure disc with screws.
(Tip: Pre drill holes to accept screws)



When proper fit is complete, glue, insert angled tip and tighten into place with 5mm driver + ratchet or allen wrench. Glue and insert a wooded 25mm 1" dia. plug. Sand