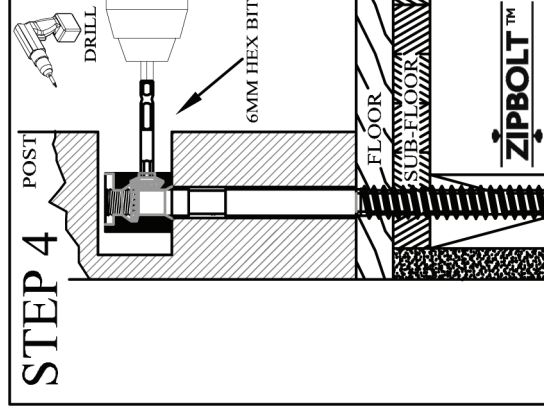
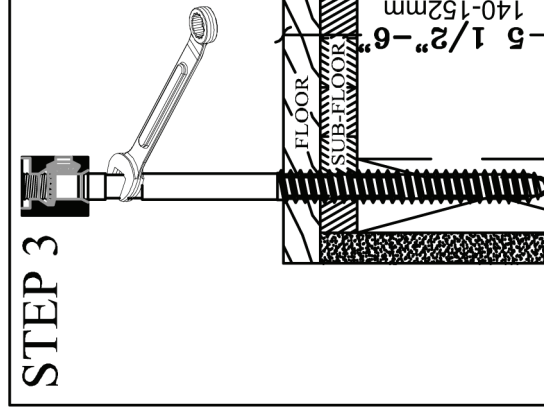
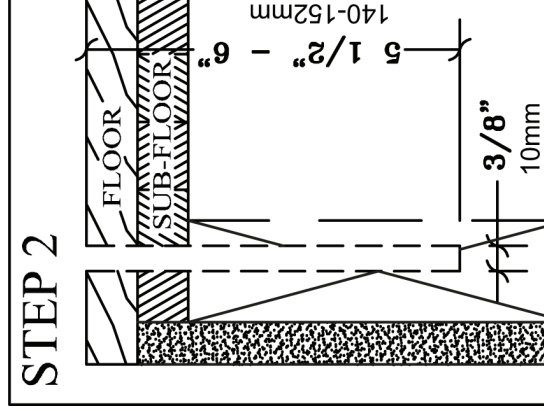
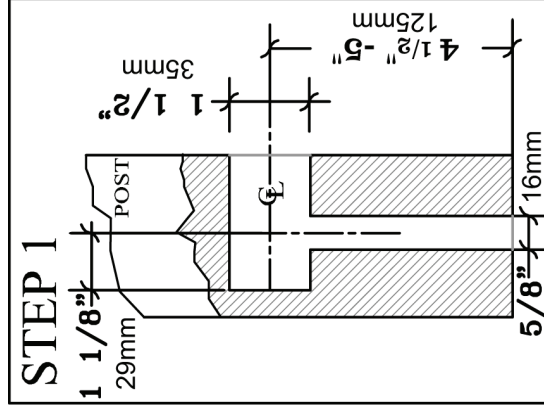


# Super UT Installation Instructions



Tip: For easier installation of screw shaft in hardwoods use wax or soap for lubrication and if necessary ream hole.

**\*Zipbolt gear drive technology allows the Fastener to be positioned anywhere in the newel and tensioning is not restricted by wrench access and movement.**