



INSTRUCTION MANUAL

125LB (56.8kgs)

PUSH SALT SPREADER

Model No: THSSALT -- Product No: 1938134001

DO NOT USE WITH ROCK SALT.

Using rock salt in this spreader will damage the mechanism and shorten the life of the product. Refined ice melting salt can be used, but the user should be aware that using salt may corrode certain components of the spreader and reduce the life of the machine.
Clean the spreader thoroughly after using refined de-icing salt.

ASSEMBLY REQUIRED

SAVE THESE INSTRUCTIONS

SPARES & SUPPORT: 01793 333212

Please read & understand this manual, paying attention to the safety instructions, before use. The manufacturer reserves the right to change the product specification and livery according to continued product improvements.

Images used are for illustration purposes only

CONTENTS

SPECIFICATIONS

IMPORTANT INFORMATION

GENERAL SAFETY INSTRUCTIONS

KNOW YOUR MACHINE

COMPONENTS

ASSEMBLY

ADJUSTMENTS

OPERATION

RATE SETTINGS

MAINTENANCE

PARTS DIAGRAM & LIST

WARRANTY

NOTES

ASSEMBLY IS REQUIRED

This product requires assembly before use. See the "Assembly" section for instructions. Please check that all parts required for the assembly of this spreader are included. If for any reason, you believe a part for the assembly is missing or damaged, please contact us.

If you require any assistance with regards to the contents or operation of your machine, please contact us:

TEL: 01793 333212

**EMAIL: customerservice@handydistribution.co.uk
(MON – FRI 8.00AM TO 5.30PM EXCL. BANK HOLIDAYS)**

DO NOT USE WITH ROCK SALT.

Using rock salt in this spreader will damage the mechanism and shorten the life of the product. Refined ice melting salt can be used, but the user should be aware that using salt may corrode certain components of the spreader and reduce the life of the machine.

Clean the spreader thoroughly after using refined de-icing salt.

SPECIFICATIONS

The manufacturer reserves the right to change the product specification and livery according to continued product improvements.

Model	THSSALT
Product Number	1938134001
Capacity (Weight)	56.8kg (125lb)
Hopper Dimensions (cm)	74.9 x 41.9 x 34
Overall Dimensions (cm)	109.9 x 80 x 96.5
Product Weight (kgs)	18.5
Tyre Rating	2 Ply
Tyre Maximum PSI	20psi (Do not exceed)

IMPORTANT INFORMATION

INTENDED USE

The product is intended for spreading granular material for domestic gardens. This product is not intended for commercial use. Generally acknowledged accident prevention regulations and enclosed safety instructions must be observed.

ONLY REFINED ICE MELTING SALT CAN BE USED WITH THIS PRODUCT.

Only perform work described in these instructions for use, any other use is incorrect. The manufacturer will not assume responsibility for damage resulting from such use.

GENERAL SAFETY INSTRUCTIONS

Read and understand the owner's manual and labels affixed to the product. Learn its application and limitations as well as the specific potential hazards. Retain these instructions for future reference. The operator is responsible for following the warnings & instructions in this manual and on the product.

STAY ALERT

Do not operate the machine while under the influence of drugs, alcohol, or any medication that could affect your ability to use it properly. Do not use this machine when you are tired or distracted from the job at hand. Be aware of what you are doing at all times. Use common sense.

AVOID DANGEROUS CONDITIONS

Make sure there is adequate surrounding workspace. Cluttered areas invite injuries. Keep your work area clean with sufficient light. Keep the area around the machine clear of obstructions, grease, oil, rubbish & other debris which could cause persons to fall onto

moving parts.

INSPECT YOUR MACHINE

Check all bolts, nuts & screws for tightness before each use, especially those securing guards & drive mechanisms. Vibration during use, may cause these to loosen.

Replace damaged, missing or failed parts before using.

Warning labels carry important information.

Replace any missing or damaged warning labels.

CRUSH AND CUT HAZARDS

Always keep your hands and feet clear from moving parts while operating the equipment.

Always keep the work area clean and clear when operating.

CONDITIONS

We recommend the machine is not used during winds. This may affect the spreading pattern.

DRESS PROPERLY

Do not wear loose clothing, gloves, scarfs, neckties or jewellery (rings, wrist watches), which can be caught in moving parts.

DO NOT OVERREACH

Keep proper footing and balance at all times when using the machine. Never stand on the machine. Serious injury could occur if the machine is tipped or if the moving parts are unintentionally contacted. Do not store anything above or near the machine, where anyone might stand on the machine to reach them.

AVOID INJURY FROM UNEXPECTED ACCIDENT

Keep hands & feet out of the way of all moving parts. Do not place any part of your body or any tool e.g. in moving parts of the machine during operation.

DO NOT FORCE TOOL

Always work within the rated capacity. Do not operate for a purpose for which it was not intended.

MAINTAIN YOUR MACHINE WITH CARE

Clean the machine immediately after use. Keep the machine clean to ensure it operates to its full & safest performance. When maintaining this machine, only the manufacturer's original replacement parts should be used. The use of non-original manufacturer parts may invalidate your warranty.

PROTECT THE ENVIRONMENT

Take left over materials to an authorised collection points or follow the stipulations in the country where the machine is used. Do not discharge into drains, soil or water.

STORE IDLE EQUIPMENT

When not in use, the machine should be stored in a dry location. Keep the machine away from children and others not qualified to use it.

OPERATION SPEED

Do not exceed 10mph, to avoid personal injury and/or equipment damage.

TYRE INFLATION

Before operating, make sure the tyres have the recommended pressure of 20 PSI (**Do not exceed 20 PSI**). We recommend the use of **FOOT or HAND** manual inflation devices only. This is a garden/domestic product, therefore extended use over abrasive surfaces (e.g. concrete, tarmac etc.) could cause premature wear on the tyres.

SAFETY SYMBOLS



Safety alert symbol. Used to alert you to potential personal injury hazards. Obey all safety messages that follow this symbol to avoid possible injury.



DANGER

Indicates an imminently hazardous situation which, if not avoided, will result in serious injury.



WARNING

Indicates a potentially hazardous situation which, if not avoided, could result in serious injury.



CAUTION

Indicates a potentially hazardous situation which, if not avoided, may result in minor or moderate injury.

CAUTION

Used without the safety alert symbol indicates a potentially hazardous situation which, if not avoided, may result in property damage.

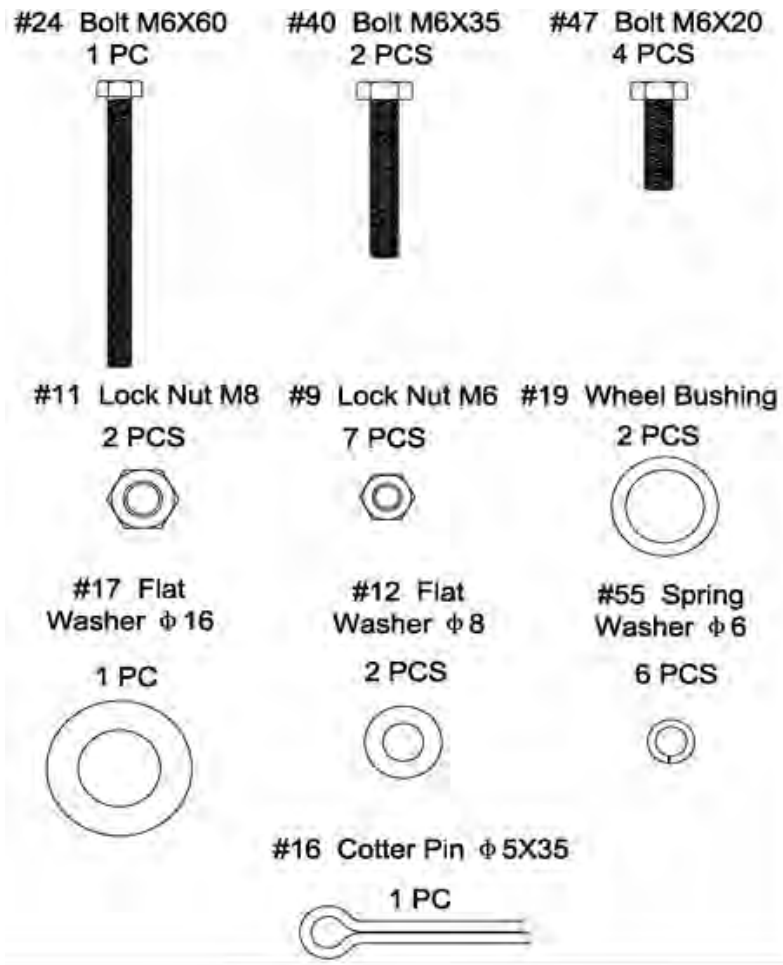
KNOW YOUR MACHINE

Read this owner's manual before operating the equipment. Familiarise yourself with the location and function of the controls and features. Save this manual for future reference.



1. **T-Handle** – Pushes and moves the spreader easily.
2. **Flow Control** – Controls the flow of material being spread
3. **Hopper** – Do not exceed rated load capacity 125lb (56.8kgs).
4. **Impeller** - Evenly distributes material.
5. **Tyre/Wheel** – Do not exceed recommended inflation rated 20 PSI.
6. **Support Leg** – Stabilizes load and spreader, when stationary.

COMPONENTS



NOTE: Parts Lists are supplied for information purposes only, not all parts are stocked individually & we recommend you contact our Spares Team on 01793 333212 for expert advice.

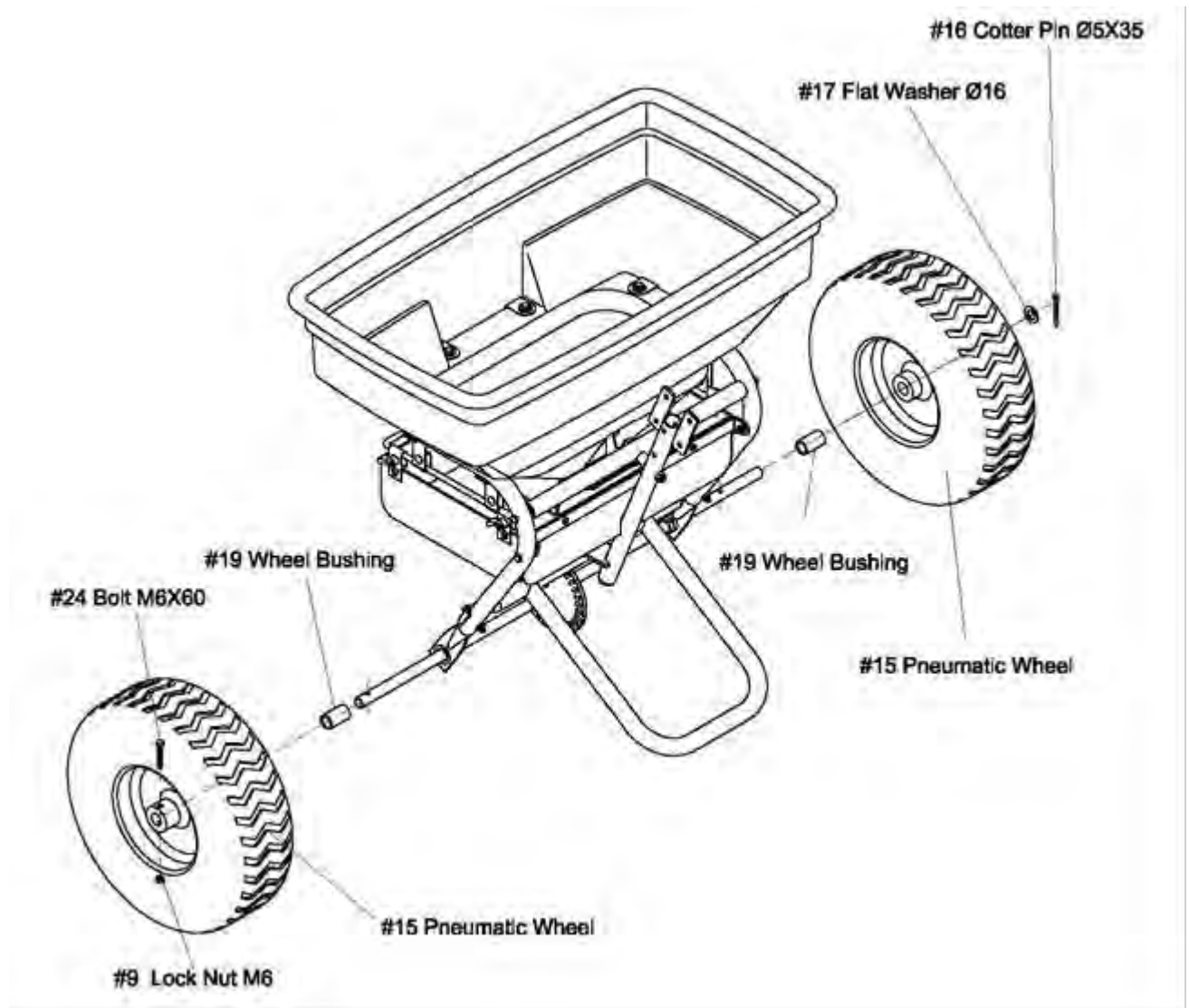
ASSEMBLY

RECOMMENDED TOOLS REQUIRED

- Pliers
- Adjustable Spanner
- 10mm Wrench x2
- 13mm Wrench

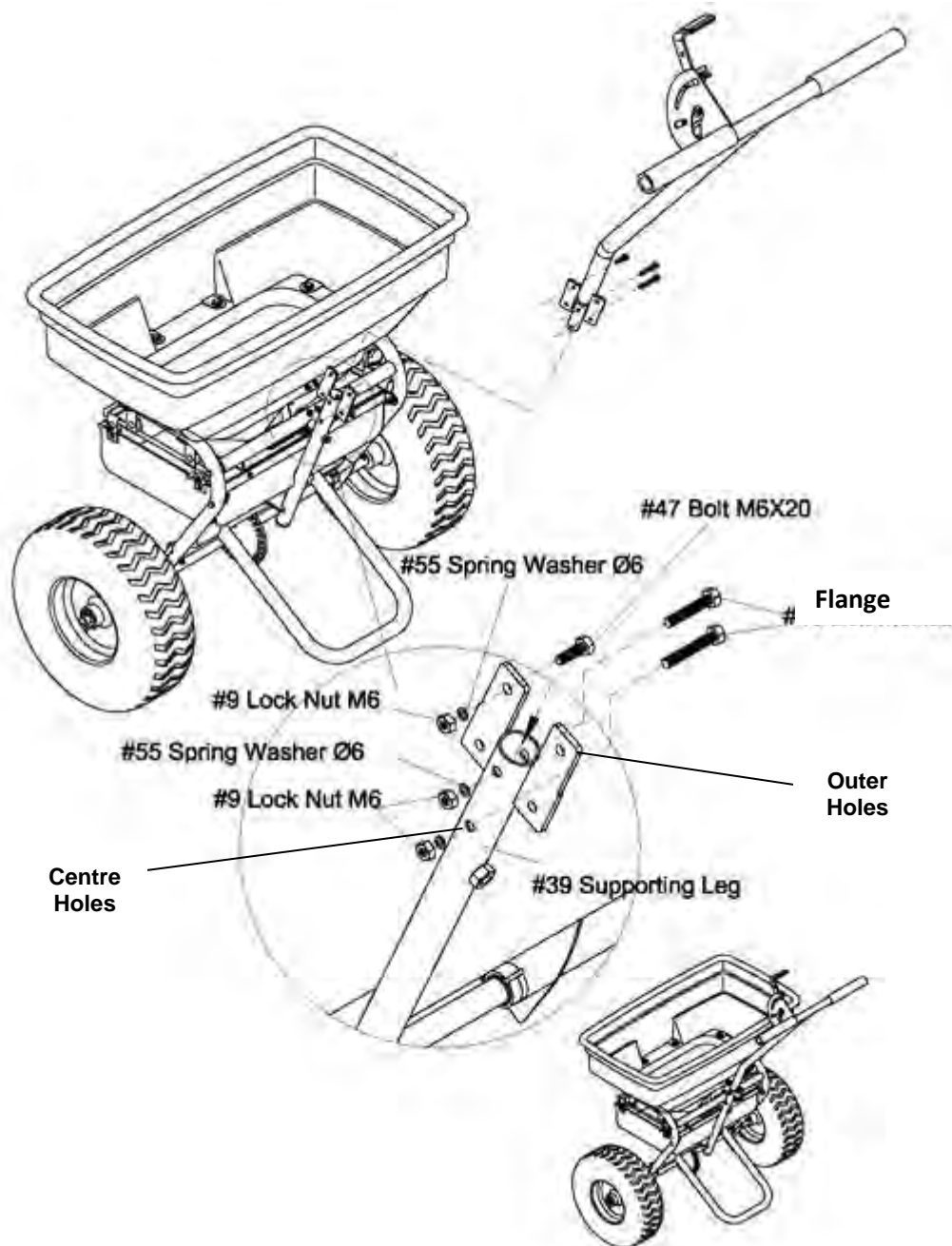
STEP 1 - Wheels

- When assembling the wheels make sure the air valves are facing outward.
- Slide the wheel bushing (#19) onto the left side of the axle.
- Push one wheel (#15) onto the axle. Align the hole in the axle and wheel and insert the M6x60 bolt (#24) and secure with a M6 lock nut (#9).
- Slide the other wheel bushing (#19) onto the right side of the axle.
- Push the wheel (#15) onto the axle. Slip the $\varnothing 16$ flat washer (#17) and insert the $\varnothing 5 \times 35$ cotter pin (#16) into the hole and fasten it by bending.



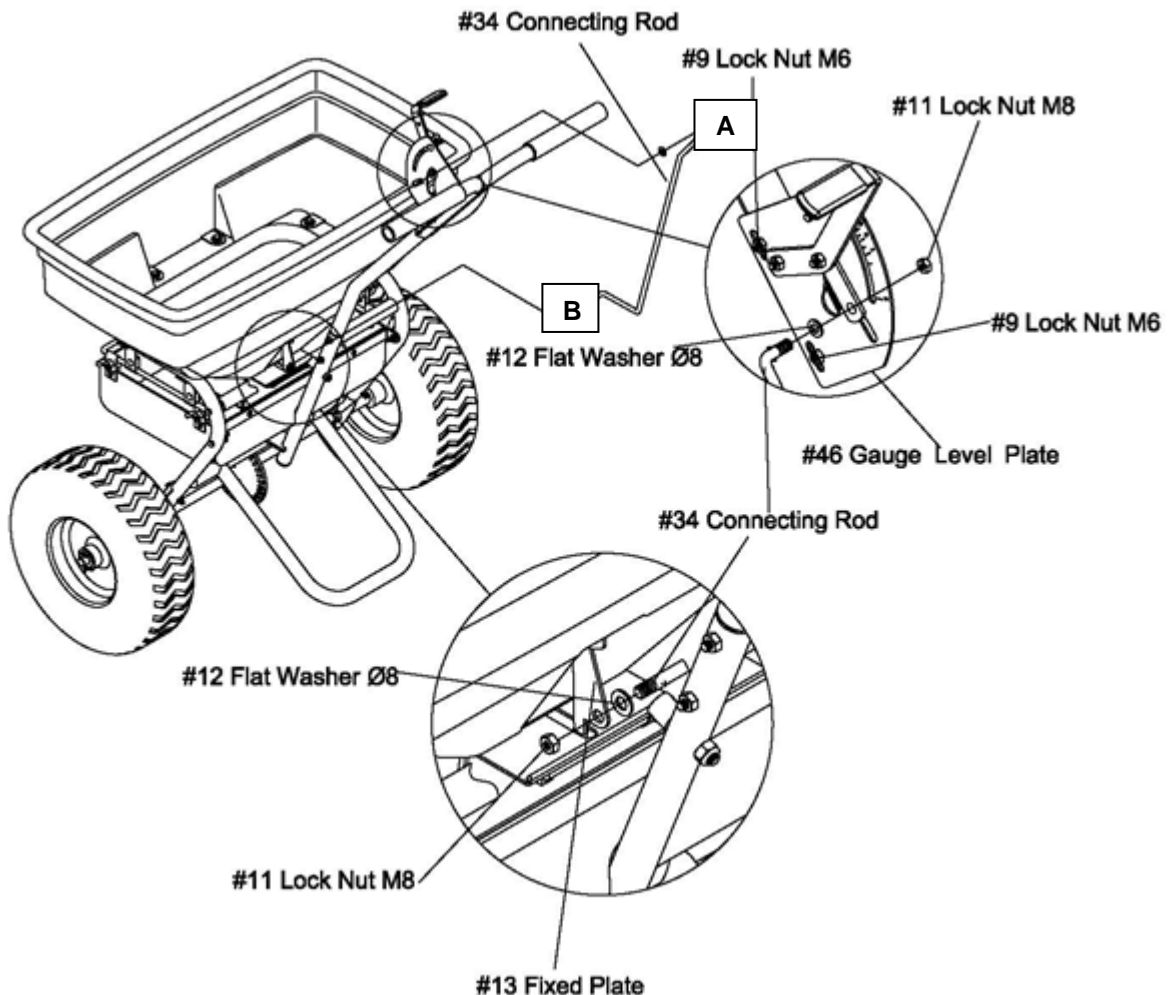
STEP 2 – Attach Handle to Support Leg

- Insert handle assembly into the supporting leg (#39). In the center holes put two M6x35 bolts (#40), Ø6 spring washer (#55) and secure with M6 lock nut (#9).
- On the outer holes of the handle assembly and supporting leg (#39) put four M6x20 bolts (#47), Ø6 spring washers (#55) and secure with M6 lock nuts (#9).



STEP 3 – Connecting Linkage

- Push the flow control handle to the “30” position. Insert the A end of the connecting rod (#34) through the Ø8 flat washer (#12) and into the hole on the gauge level plate (#46). Secure with a M8 lock nut (#11).
- Insert the B end of the connecting rod (#34) through the Ø8 flat washer (#12) and into the hole on the fixed plate (#13). Secure with M8 lock nut (#11).
- Push the control handle to the “0” position. The hole in the bottom of the spreader should be completely closed.



ADJUSTMENTS

STEP 4

When you have finished all the above steps, if the hole at the bottom of hopper cannot be closed and opened completely by using the handle you may need to follow these additional steps.

- If the flow control handle position and the hole in the bottom of the hopper does not match exactly, loosen the two bottom M6 lock nuts (#9) and move the gauge level plate until the handle position and the hole in the bottom of the hopper match.
- Re-tighten the two M6 lock nuts (#9).

To operate this spreader, push the handle to the lowest position (downwards). You may move the position of the Wing nut on the Gauge & Lever to adjust the space on the hole between the hopper and the adjustable plate as per your need when spreading.

OPERATION



DANGER

The product must only be put into operation if no defects are found. It is crucial that any defective parts are replaced before the product is used again. Check the safety equipment and the safe condition of the product. Check all parts to make sure that they fit tightly. Check whether there are any visible defects: broken parts, cracks, etc.



DANGER - DO NOT EXCEED MAXIMUM LOAD CAPACITY OF 125LBS (56.8KG)

NOTE: ALWAYS MOVE OFF BEFORE OPENING THE FEED-GATE. ALWAYS CLOSE THE FEED-GATE BEFORE STOPPING.

- Inspect your spreader before each use. Make sure the wheels turn easily, and the gearbox moves when the spreader is pushed. The hopper should be clean and free from cracks.
- DO NOT use the spreader on windy days.
- Before filling the hopper, ensure the feed-gate flow hole is closed, with the flow control lever at "0". Always follow the spreading material manufacturer spreading rates.
- The Spreader is designed to be pushed at 3 miles per hour – brisk walking pace. The rate of walking will affect the spread pattern and flow rate.
- Move the Wing Nut attached to the stop bolt on the gauge to the relevant setting.
- Start pushing the Spreader forward & pull the control lever back to the stop bolt, opening the feed-gate flow hole at the bottom of the hopper.
- Every time you are ready to stop or turn back, close the flow control plate to stop dispersing the material and continue one more stride. This reduces waste and avoids damaging the lawn by oversaturating it with the product.
- To maintain the same coverage when walking at a different speed, adjust the flow rate. Reduce the flow setting for slower speeds and increase the flow setting for higher speeds. Keep the impeller plate horizontal when operating the spreader. Tilting the spreader will result in uneven coverage.
- If the Spreader does not spread evenly, ensure that the gearbox rotates the impellor clockwise.
- Material which is stuck on the impellor blades will cause uneven spreading.
- To stop spreading, push the gauge lever forward to close the feed-gate hole in the hopper.
- If spreading material is accidentally deposited too heavily in a small area, soak the area thoroughly with a garden hose or sprinkler to prevent burning the lawn.
- When broadcasting spreading material, make sure the broadcast pattern does not hit evergreen trees, flowers or shrubs.
- Always use the rain cover in wet weather conditions to keep the hopper contents dry.

DO NOT USE WITH ROCK SALT.

Using rock salt in this spreader will damage the mechanism and shorten the life of the product. Refined ice melting salt can be used, but the user should be aware that using salt may corrode certain components of the spreader and reduce the life of the machine.

Clean the spreader thoroughly after using refined de-icing salt.

RATE SETTINGS

Our spreaders are designed to spread dry, powdered or granulated materials thinly and evenly over reasonably smooth surfaces.

- Ensure that the material is dry and free-running. If in doubt pass it through a sieve with 3mm mesh to remove lumps.
- Set rate-setting dial to No. 12.
- Fill the hopper approximately 3/4 full.
- Push the spreader forward and pull the control lever back to the Stop bolt. If the spread is uneven or inadequate, close the feed-gate and reset the dial to a higher number.

Always move off BEFORE opening the feed-gate and close the gate BEFORE stopping.



CAUTION

The rate settings are guidelines only. Even branded materials may vary in grain size, humidity, density etc. If in any doubt choose a lower setting than that suggested or start at setting no. 12 and adjust as necessary, until an even spread is achieved.

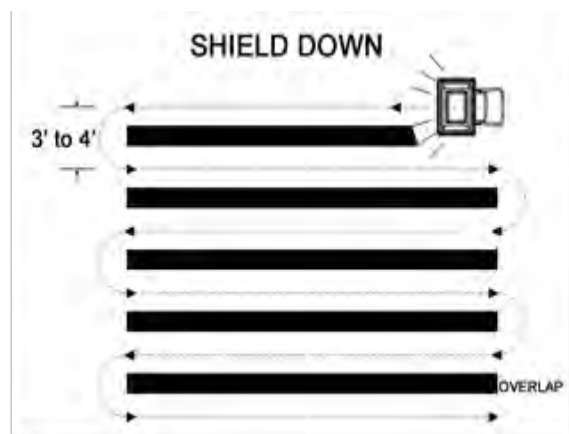
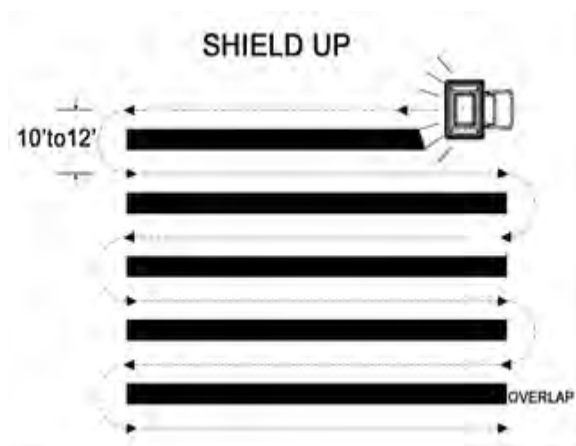


WARNING

Do not over apply spreading material. Follow the recommended coverage rate for each product. Over application will lead to damage and contamination. If spreading material accidentally deposits too heavily, soak the area thoroughly with a garden hose or sprinkler to prevent burning.

CONSISTENT COVERAGE

To ensure consistent coverage, ensure each broadcast pattern slightly overlaps the previous, as shown below. **N.B. ALWAYS MOVE OFF BEFORE OPENING FEED-GATE. ALWAYS CLOSE FEED-GATE BEFORE STOPPING**



MAINTENANCE

LUBRICATE

Maintenance spray or multi-purpose grease can be applied to the wheel axle prior to long-term storage. Oiling is not necessary.

GEARBOX

Apply multi-purpose grease to the gearbox cogs at the end of each use.

CHECK TYRE INFLATION

Prior to using the Spreader, ensure the tyres are sufficiently inflated. We recommend the use of **FOOT or HAND** manual inflation devices only. Do not inflate above **20psi**.

CLEANING

After each use thoroughly wash the spreader and clean material out of the hopper.

STORING

Never allow material to stay in the hopper for extended periods of time. Before storing, ensure that the spreader is clean and dry. Store indoors or in a protected area during severe weather in the winter months and direct sunlight.

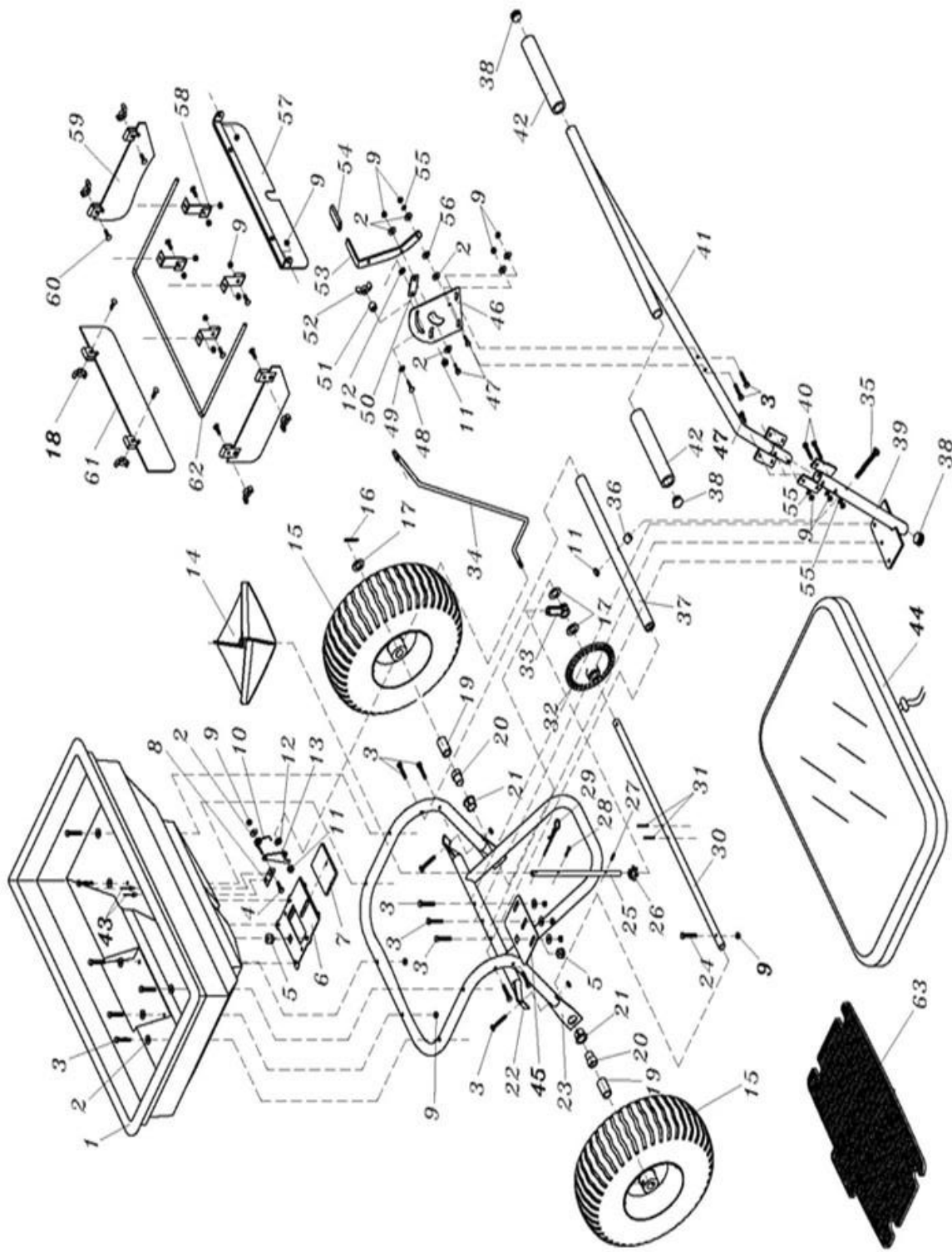
CHECK ALL NUTS, BOLTS AND FASTENING

Periodically check all fastenings are tight & secure.

NEVER EXCEED LOAD CAPACITY

To avoid damaging the spreader, never exceed the rated load capacity of 125LB (56.8kg).

PARTS DIAGRAM – THSSALT (1938134001)



NOTE: Parts Lists are supplied for information purposes only, not all parts are stocked individually & we recommend you contact our Spares Team on 01793 333212 for expert advice.

PARTS LIST – THSSALT (1938134001)

No.	Part No.	Description	QTY	No	Part No.	Description	QTY
1	TH152-1GM	Hopper	1	32	TH152-32	Gear	1
2	TH152-2	Flat Washer Ø6	16	33	TH152-33	Swivel Axle Base	1
3	TH152-3	Hex Bolt M6x40	17	34	TH152-34	Connecting Rod	1
4	TH152-4	Hopper Screen	1	35	TH152-35	Hex Bolt M8x75	1
5	TH152-5	Swivel Axle Bushing	2	36	TH152-36	Spacer	1
6	TH152-6	Fixed Adjustable Plate	1	37	TH152-37	Fixed Crossover Tube	1
7	TH152-7	Active Adjustable Plate	1	38	TH152-38	End Cap	3
8	TH152-8	Base for Spring	1	39	TH152-39	Support Tube Assembly	1
9	TH152-9	Lock Nut M6	29	40	TH152-40	Hex Bolt M6x35	2
10	TH152-10	Spring	1	41	TH152-41	Handle Connecting Tube	1
11	TH152-11	Lock Nut M8	3	42	TH152-42	Handle Grip	2
12	TH152-12	Flat Washer Ø8	2	43	TH152-43	Rivet Ø5x8	2
13	TH152-13	Fixed Plate for Connecting Rod	1	44	TH152-44	Rain Cover	1
14	TH152-14	Impeller	1	45	TH152-45	Swivel Axle Plate	1
15	TH152-15	Wheel Assembly	2	46	TH152-46	Gauge Lever Plate	1
16	TH152-16	Cotter Pin Ø5x35	1	47	TH152-47	Hex Bolt M6x20	7
17	TH152-17	Flat Washer Ø16	3	48	TH152-48	Round Head Bolt M6x25	1
18	TH152-18	Wing Nut M6	6	49	TH152-49	Lock Washer Ø8	1
19	TH152-19	Wheel Bushing	2	50	TH152-50	Connecting Rod Plate	1
20	TH152-20	Inner Axle Bushing	2	51	TH152-51	Spacer	1
21	TH152-21	Outer Axle Bushing	2	52	TH152-52	Wing Nut M6	1
22	TH152-22	Support Leg Assembly	1	53	TH152-53	Adjustable Handle	1
23	TH152-23	Hopper Assembly Tube	1	54	TH152-54	Gauge Lever Handle Grip	1
24	TH152-24	Hex Bolt M6x60	1	55	TH152-55	Lock Washer Ø6	7
25	TH152-25	Swivel Axle	1	56	TH152-56	Nylon Washer	1
26	TH152-26	Small Gear	1	57	TH152-57	Rear Back Plate	1
27	TH152-27	Spring Pin Ø3x16	1	58	TH152-58	Hanging Plate	4
28	TH152-28	Screw M4x20	1	59	TH152-59	Side Back Plate	2
29	TH152-29	R Pin Ø3	1	60	TH152-60	Round Head Bolt M6x20	10
30	TH152-30	Axle	1	61	TH152-61	Front Back Plate	1
31	TH152-31	Spring Pin Ø4x30	2	62	TH152-62	Hanging Rod	1

NOTE: Parts Lists are supplied for information purposes only, not all parts are stocked individually & we recommend you contact our Spares Team on 01793 333212 for expert advice.

GJ HANDY & CO LTD USER WARRANTY POLICY

Users Statement of Warranty

Each new machine is warranted against defective material or assembly of material under normal usage. The warranty applies to the original purchaser and covers faulty parts and the labour involved in replacing and repairing those parts, which are of original manufacture.

Period of Warranty

Webb (excludes Electric Handheld & Dynamic), Webb Pro, Sanli Engine

- a) 2 years from the original date of sale to the first domestic user.
- b) 90 days from the original date of sale to the professional/commercial user.
- c) 90 days from the original date of sale when used for hire.
- d) A reduced warranty period of 90 days applies to those items which are subject to normal wear and tear (e.g. but not limited to wheels, tyres, cutter bars, cylinders, cutting blades, blade boss, belts, cables, nylon line & spool, collection bags, spark plugs).
- e) Engines are supplied with a separate warranty to the machine. The engine manufacturers warranty statement which will be supplied within the engine instruction manual. All enquiries and warranty repairs should be discussed with the engine manufacturer or approved warranty repair dealer.
- f) 90 days from the original date of purchase for Replacement Spare Parts (unless normal wear & tear component, which are covered for 30 days).
- g) All machines' must be serviced within the first 12 months from the original date of purchase to comply with the warranty, failure to do so will invalidate the 2nd year of the warranty.

All warranty repairs must be undertaken by an authorised service dealer. These dealers have been accredited by GJ Handy & Co Ltd and agree to only use genuine parts and follow our repair procedures.

Webb Electric Handheld, Webb Dynamic, The Handy, Mowerland, Q-Garden

- a) 1 year from the original date of sale to the first domestic user.
- b) 90 days from the original date of sale to the professional/commercial user.
- c) 90 days from the original date of sale when used for hire.
- d) A reduced warranty period of 90 days applies to those items which are subject to normal wear and tear (e.g. but not limited to wheels, tyres, cutter bars, cylinders, cutting blades, blade boss, belts, cables, nylon line & spool, collection bags, spark plugs).
- e) Engines are supplied with a separate warranty to the machine. The engine manufacturers warranty statement which will be supplied within the engine instruction manual. All enquiries and warranty repairs should be discussed with the engine manufacturer or approved warranty repair dealer.
- f) 90 days from the original date of purchase for Replacement Spare Parts (unless normal wear & tear component, which are covered for 30 days).

All warranty repairs must be undertaken by an authorised service dealer. These dealers have been accredited by GJ Handy & Co Ltd and agree to only use genuine parts and follow our repair procedures.

GJ HANDY & CO LTD USER WARRANTY POLICY

Not covered by this warranty

- a) The warranty policy does not cover any depreciation or damages caused by ordinary wear, rusting or corrosion, lack of correct maintenance or operation, misuse, abuse, lack of transportation or accident.
- b) The warranty policy does not cover any costs necessary for the standard periodic maintenance services instructed by the operator's manual, or service parts replacement which would include oil, filters, tyres, belts, brake linings, fuses, blades, seals and other service parts unless it can be proven that the item has evidence of faulty manufacture.
- c) The warranty policy will not cover failure or damage caused as a result of parts or accessories being modified without the written approval of GJ Handy & Co Ltd.
- d) The warranty policy will not cover the unit if non-genuine parts have been fitted and as a result damage has occurred to the unit.
- e) The warranty policy is non-transferable and is only applicable to the original purchaser.

Disclaimer

- a) This warranty is only a remedy for defect of products. GJ Handy & Co Ltd will never warranty in terms of the merchantability or the fitness for a particular purpose.
- b) No person is authorised to make any warranties, representations or promises, expressed or implied, on behalf of GJ Handy & Co Ltd, or to modify the terms conditions or limitation of this warranty policy in any way.
- c) Neither GJ Handy & Co Ltd nor any company affiliated with GJ Handy & Co Ltd shall be liable in any event or manner whatsoever for incidental or consequential damages or injuries, including, but not limited to, loss of crops, loss of profit, out of pocket expenses or profits, rental of substitute equipment or other commercial losses.

General

- a) Most warrantable failures show up within the first few weeks of use. These failures are usually straightforward and warranty assessment is relatively easy.
- b) Failures relating to cutter decks and belts need careful investigation, as the cause may not always be straightforward. Look for damage to blades and pulleys especially when the cutter belt or blade boss have snapped or cracked as this could be due to impact damage.
- c) Customers should always refer to the operator/instruction manual when any disputed problem arises, you will find most areas covered within the manual.

For spares or support of your handy product,
please contact us:

Tel: 01793 333212

Email: customerservice@handydistribution.co.uk
(Mon – Fri 8.00am to 5.30pm excl. Bank Holidays)

To see our range of garden machinery & equipment visit:

www.thehandy.co.uk

Making gardening easier & affordable since 1938

Distributed by Handy Distribution, Murdock Road, Dorcan, Swindon, SN3 5HY