



# INSTRUCTION MANUAL

## 100LB (45.5kgs) SALT SPREADER

Model No: THSS100 -- Product No: 193878002

### **DO NOT USE WITH ROCK SALT.**

Using rock salt in this spreader will damage the mechanism and shorten the life of the product. Refined ice melting salt can be used, but the user should be aware that using salt may corrode certain components of the spreader and reduce the life of the machine.  
Clean the spreader thoroughly after using refined de-icing salt.

### ASSEMBLY REQUIRED

### SAVE THESE INSTRUCTIONS

### SPARES & SUPPORT: 01793 333212

Please read & understand this manual, paying attention to the safety instructions, before use. The manufacturer reserves the right to change the product specification and livery according to continued product improvements.

Images used are for illustration purposes only



# CONTENTS

**SPECIFICATION**  
**IMPORTANT INFORMATION**  
**GENERAL SAFETY INSTRUCTIONS**  
**COMPONENTS**  
**ASSEMBLY**  
**ADJUSTMENTS**  
**MAINTENANCE**  
**OPERATION**  
**RATE SETTINGS**  
**PARTS DIAGRAM**  
**PARTS LIST**  
**WARRANTY**

## **ASSEMBLY IS REQUIRED**

This product requires assembly before use. See the "Assembly" section for instructions. Please check that all parts required for the assembly of this spreader are included. If for any reason you believe a part for the assembly is missing or damaged, please contact us.

**If you require any assistance with regards to the contents or operation of your machine, please contact us:**

**TEL: 01793 333212**  
**(MON – FRI 8.00AM TO 5.30PM EXCL. BANK HOLIDAYS)**

**EMAIL: [customerservice@handydistribution.co.uk](mailto:customerservice@handydistribution.co.uk)**

## **DO NOT USE WITH ROCK SALT.**

Using rock salt in this spreader will damage the mechanism and shorten the life of the product. Refined ice melting salt can be used, but the user should be aware that using salt may corrode certain components of the spreader and reduce the life of the machine.

Clean the spreader thoroughly after using refined de-icing salt.

# SPECIFICATION

The manufacturer reserves the right to change the product specification and livery according to continued product improvements.

Model	THSS100
Product Number	193878002
Weight	12.9kg
Capacity (Weight)	45.5kg
Tyre Rating	2 Ply
Tyre Maximum PSI	25psi (Do not exceed)

# IMPORTANT INFORMATION

### INTENDED USE

The product is intended for spreading granular material for domestic gardens. This product is not intended for commercial use. Generally acknowledged accident prevention regulations and enclosed safety instructions must be observed.

### **ONLY REFINED ICE MELTING SALT CAN BE USED WITH THIS PRODUCT.**

Only perform work described in these instructions for use, any other use is incorrect. The manufacturer will not assume responsibility for damage resulting from such use.

### HELPFUL HINTS

If your spreader does not spread evenly, the impeller must turn clockwise. Reversing the gearbox will cause the impeller to turn counter clockwise. Clean the impeller plate after each use. material stuck on the impeller blades will cause uneven spreading.

Your spreader is designed to be pushed at three miles per hour, which is a brisk walking speed. Slower or faster speeds will change the spread patterns. Wet material will also change the spread pattern and flow rate. Clean your spreader thoroughly after each use. Wash between the shut off plate and the bottom of the hopper.

Gears are lubricated at the factory.

# GENERAL SAFETY INSTRUCTIONS

**Read and understand the owner's manual and labels affixed to the product. Learn its application and limitations as well as the specific potential hazards. Retain these instructions for future reference. The operator is responsible for following the warnings & instructions in this manual and on the product.**

### STAY ALERT

Do not operate the machine while under the influence of drugs, alcohol, or any medication that could affect your ability to use it properly. Do not use this machine when you are tired or distracted from the job at hand. Be aware of what you are doing at all times. Use common sense.

### AVOID DANGEROUS CONDITIONS

Make sure there is adequate surrounding workspace. Cluttered areas invite injuries. Keep your work area clean with sufficient light. Keep the area around the machine clear of obstructions, grease, oil, rubbish & other debris which could cause persons to fall onto moving parts.

### INSPECT YOUR MACHINE

Check all bolts, nuts & screws for tightness before each use, especially those securing guards & drive mechanisms. Vibration during use, may cause these to loosen. Replace damaged, missing or failed parts before using. Warning labels carry important information. Replace any missing or damaged warning

labels.

### **CRUSH AND CUT HAZARDS**

Always keep your hands and feet clear from moving parts while operating the equipment. Always keep the work area clean and clear when operating.

### **CONDITIONS**

We recommend the machine is not used during winds. This may affect the spreading pattern.

### **DRESS PROPERLY**

Do not wear loose clothing, gloves, scarfs, neckties or jewelry (rings, wrist watches), which can be caught in moving parts.

### **DO NOT OVERREACH**

Keep proper footing and balance at all times when using the machine. Never stand on the machine. Serious injury could occur if the machine is tipped or if the moving parts are unintentionally contacted. Do not store anything above or near the machine, where anyone might stand on the machine to reach them.

### **AVOID INJURY FROM UNEXPECTED ACCIDENT**

Keep hands & feet out of the way of all moving parts. Do not place any part of your body or any tool e.g. in moving parts of the machine during operation.

### **DO NOT FORCE TOOL**

Always work within the rated capacity. Do not operate for a purpose for which it was not intended.

### **MAINTAIN YOUR MACHINE WITH CARE**

Clean the machine immediately after use. Keep the machine clean to ensure it operates to its full & safest performance. When maintaining this machine, only the manufacturer's original replacement parts should be used. The use of non-original manufacturer parts may invalidate your warranty.

### **PROTECT THE ENVIRONMENT**

Take left over materials to an authorised collection point or follow the stipulations in the country where the machine is used. Do

not discharge into drains, soil or water.

### **STORE IDLE EQUIPMENT**

When not in use, the machine should be stored in a dry location. Keep the machine away from children and others not qualified to use it.

### **OPERATION SPEED**

Do not exceed 6mph, to avoid personal injury and/or equipment damage.

### **TYRE INFLATION**

Before operating, make sure the tyres have the recommended pressure of 25 PSI (**Do not exceed 25 PSI**). We recommend the use of **FOOT or HAND** inflation devices only.

This is a garden/domestic product, therefore extended use over abrasive surfaces (e.g. concrete, tarmac etc.) could cause premature wear on the tyres.

## **SAFETY SYMBOLS**



Safety alert symbol. Used to alert you to potential personal injury hazards. Obey all safety messages that follow this symbol to avoid possible injury.



### **DANGER**

Indicates an imminently hazardous situation which, if not avoided, will result in serious injury.



### **WARNING**

Indicates a potentially hazardous situation which, if not avoided, could result in serious injury



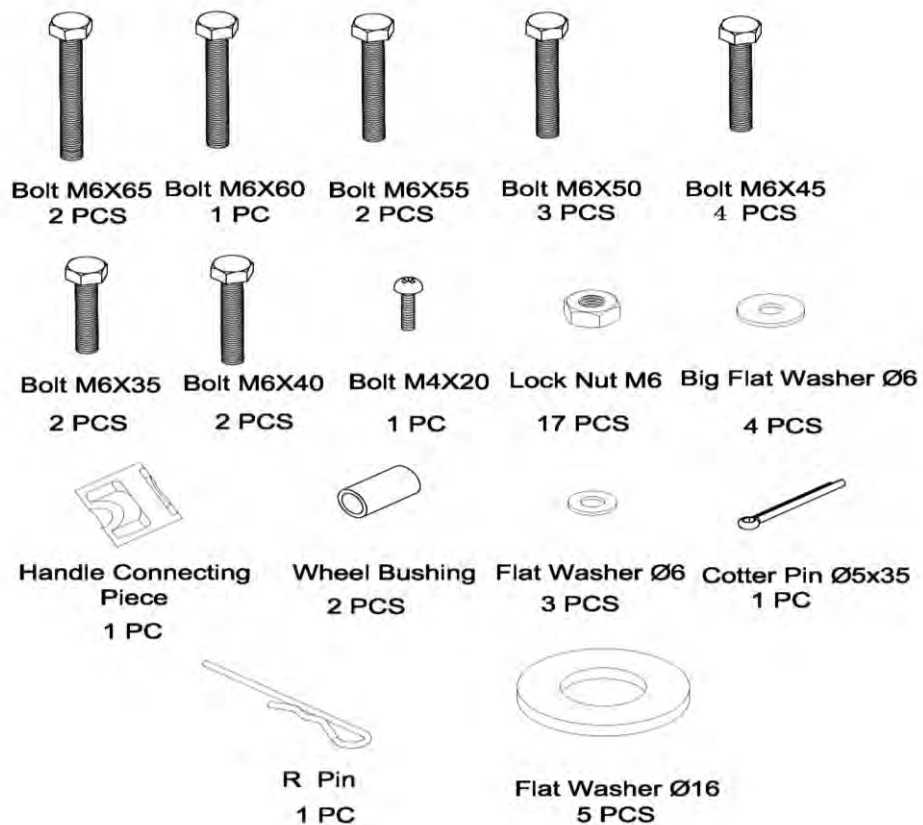
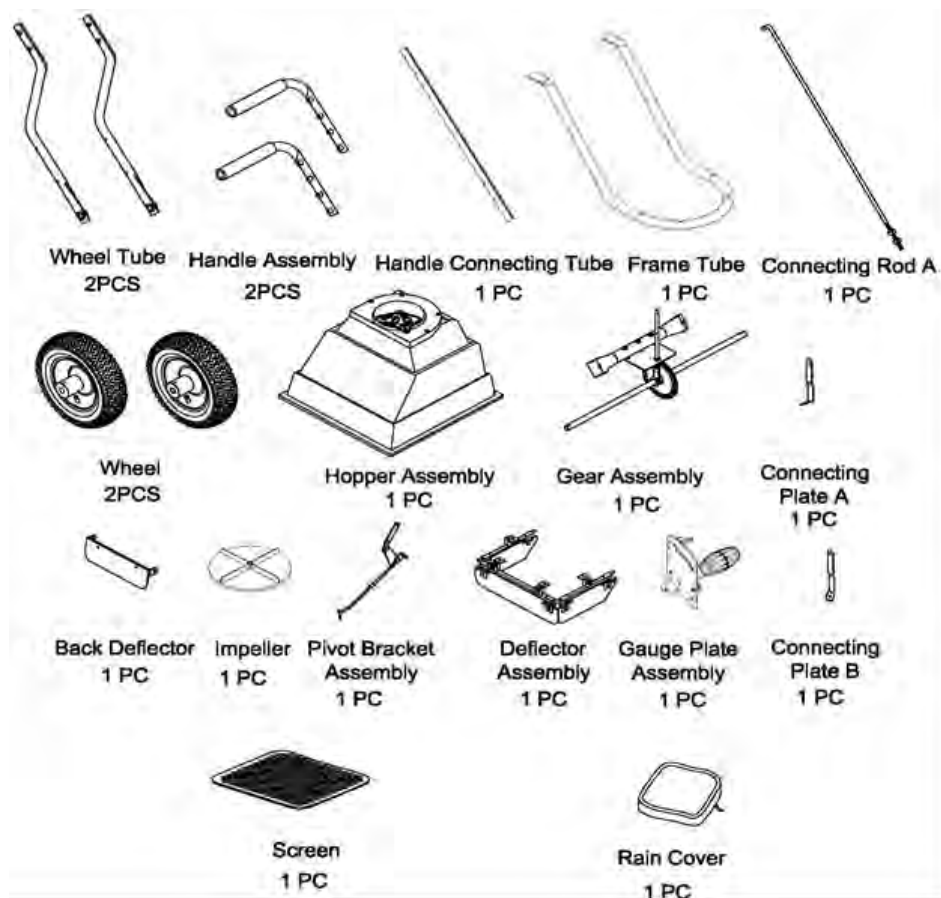
### **CAUTION**

Indicates a potentially hazardous situation which, if not avoided, may result in minor or moderate injury.

### **CAUTION**

Used without the safety alert symbol indicates a potentially hazardous situation which, if not avoided, may result in property damage.

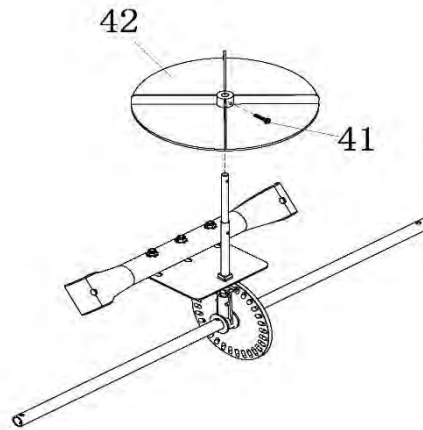
# COMPONENTS



# ASSEMBLY

## STEP 1

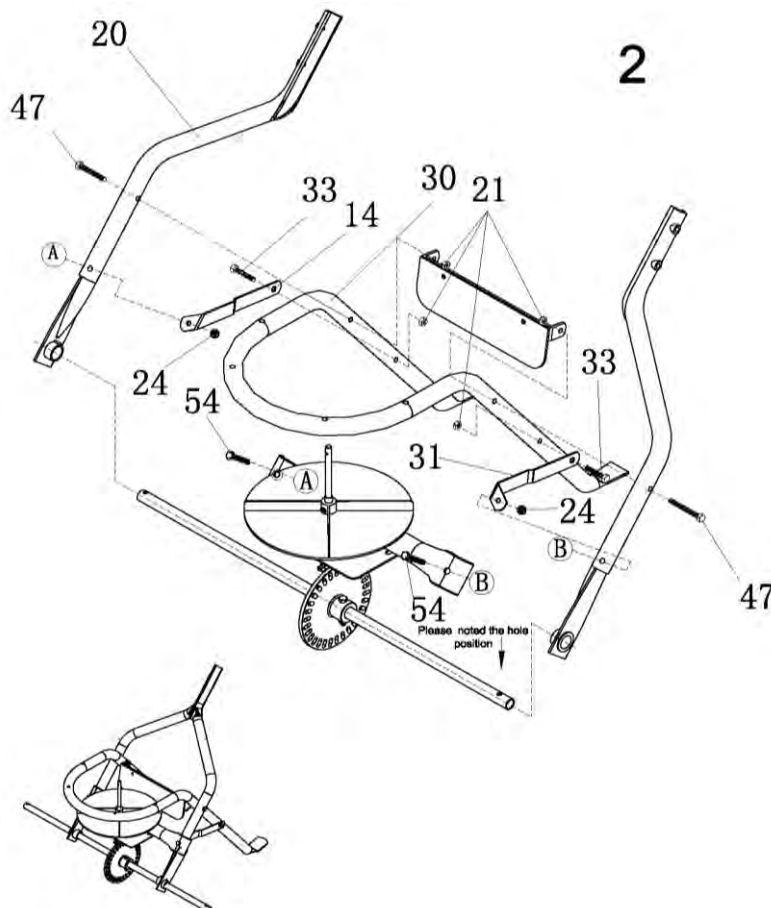
- Install the impeller (42) onto the gearbox and axle assembly.
- Align the impeller with the hole on the axle, located nearest the gearbox.
- Insert M4x20 screw (41), through the side of the impeller and the gearbox axle. Tighten until secure.



## STEP 2

- Attach the outer wheel tubes (20) to the gear assembly using the M6x40 bolt (54); attach the two connecting plates A & B (31 & 14) to the frame tube (30) and wheel tubes (20) using an M6x35 bolt (33) and an M6 lock nut (24). Hand tighten.
- Connect the back deflector (58) to the frame tube (30) and the wheel tube (20) using an M6x65 bolt (47) and an M6 lock nut (24). Tighten all hardware in Steps 1 and 2.

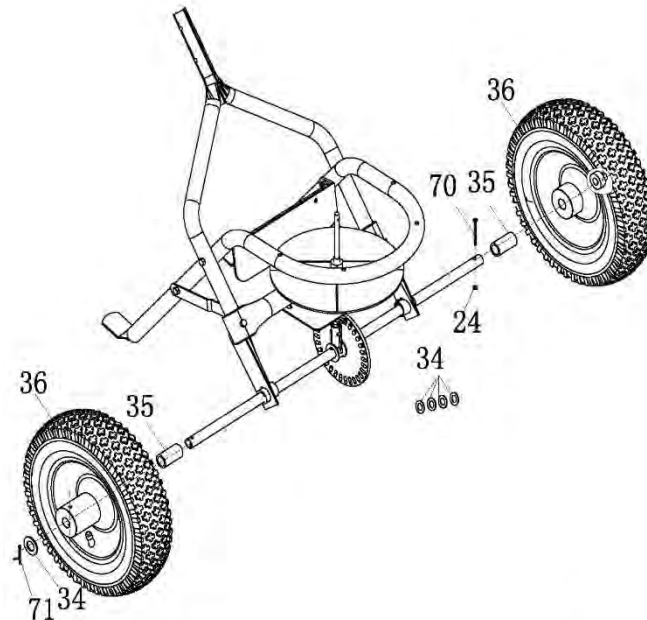
**NOTE: WE ADVISE YOU DO NOT TIGHTEN THE NUTS & BOLTS COMPLETELY AT THIS POINT.**



### STEP 3

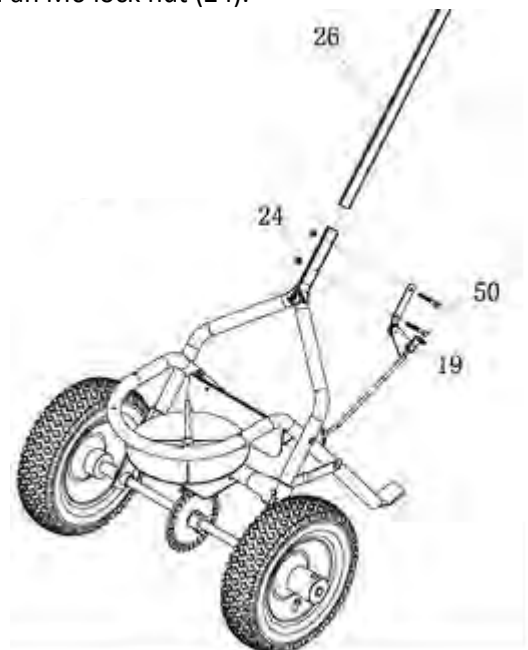
- On the left side of the axle insert the wheel bushing (35), wheel (36), Ø16 flat washer (34) and secure with the Ø5x35 cotter pin (71).
- Insert the wheel bushing (35), wheel (36) on the right side and secure using the M6x60 bolt (70) and M6 lock nut (24).

**NOTE:** *If needed use the extra flat washers (34) to decrease the gap between the wheels.*



### STEP 4

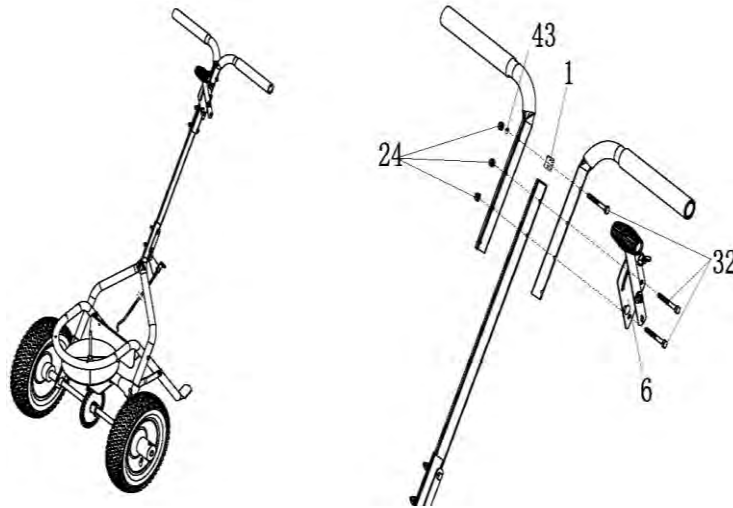
- Attach the handle tube (26) and pivot bracket assembly (19) to the main frame assembly using an M6X55 bolt (50) and an M6 lock nut (24).





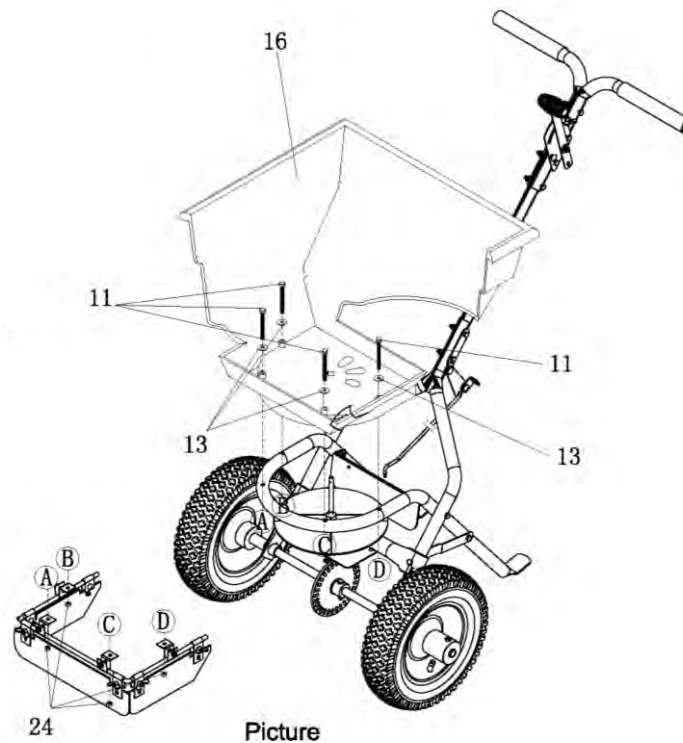
### STEP 5

- Put the two handle tubes (23) together with the handle connecting piece (1) in the middle and secure using one M6x50 bolt (32), Ø6 flat washer (43) and M6 lock nut (24). Hand tighten.
- Put the handle tubes over the post and attach the gauge plate assembly (4) using an M6x50 (32) and M6 lock nut (24). Hand tighten.



### STEP 6

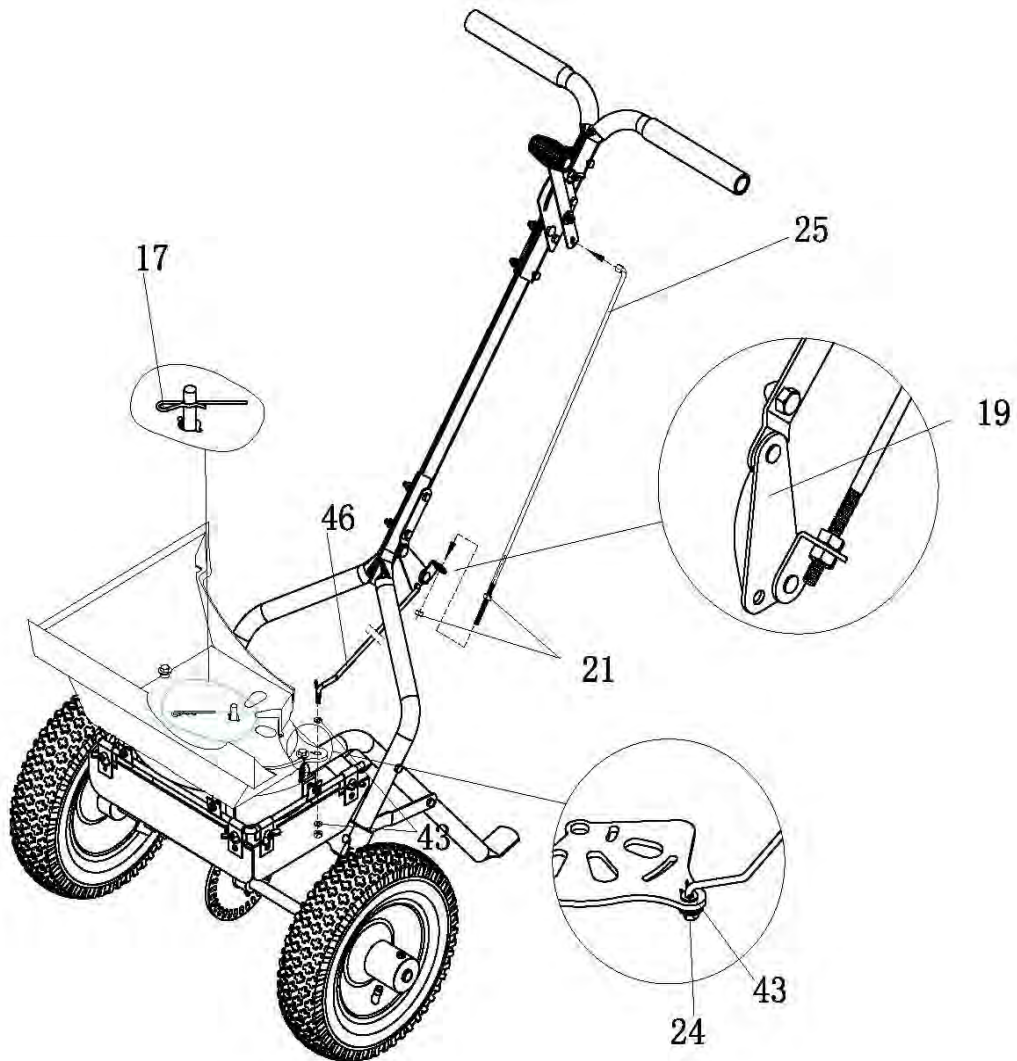
- Attach the hopper (16) and deflector assembly to the main frame using an M6x45 bolt (11), Ø6 flat washer (13) and M6 lock nut (24). Hand tighten.



**NOTE: If the gears do not match, loosen the bottom two bolts on the gear plate and adjust.**

### STEP 7

- Insert R-pin (17) into the hole of the gearbox spindle, which protrudes through the bottom of the hopper.
- Attach the ends of the connecting rod (25) to the pivot bracket assembly (19) and gauge lever assembly (4). Remove the nuts at both ends and insert the connecting rod into the gauge and bracket assemblies. Retighten the nuts at both ends.
- Insert the connecting rod B (46) and secure using two flat washers (43) and one M6 lock nut (24).
- **Tighten all hardware in steps 4, 5 and 6.**

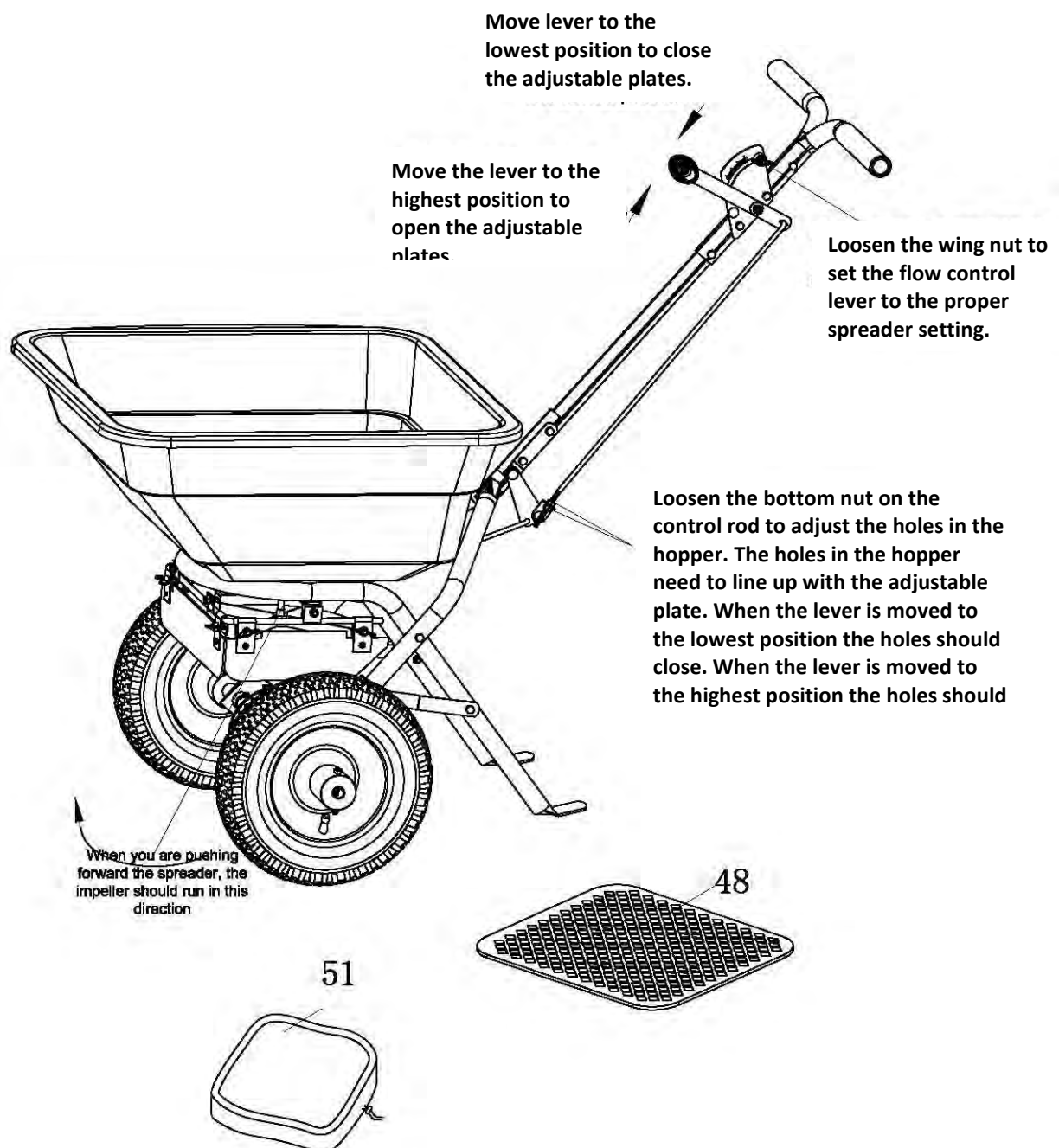


# ADJUSTMENTS

If when you have finished all of the above steps and the holes at the bottom of hopper cannot be opened and completely closed by using the handle, you will need to follow the instructions below.

1. Loosen the wing nut and move the lever to the lowest position to close the adjustable plates.
2. Move the lever to the highest position to open the adjustable plates.
3. If the adjustable plates are not completely open when the lever is in the highest position, loosen the bottom nut on the control rod.
4. Match up the holes on the hopper and adjustable plate so they are fully open.
5. Retighten the control rod nut and check to make sure the adjustable plate operates properly when the lever is moved to the lowest and highest positions.
6. Insert the screen (48) and attach the rain cover (51).
7. Tighten all hardware before operating the spreader.

**NOTE:** The holes in the bottom of the hopper and the adjustable plate must line up.



# MAINTENANCE

## LUBRICATE

Maintenance spray or multi-purpose grease can be applied to the wheel axle & gear prior to long-term storage. Oiling is not necessary.

## CHECK TYRE INFLATION

Prior to using the Spreader, ensure the tyres are sufficiently inflated. We recommend the use of **FOOT or HAND** inflation devices only. **Do not inflate above 25psi.**

## CLEANING

After each use thoroughly wash the spreader and clean material out of the hopper.

## STORING

Never allow material to stay in the hopper for extended periods of time.

Before storing, ensure that the spreader is clean and dry.

Store indoors or in a protected area during severe weather and in the winter months.

## CHECK ALL NUTS, BOLTS AND FASTENING

Periodically check all fastenings are tight & secure.

## NEVER EXCEED LOAD CAPACITY

To avoid damaging the spreader, never exceed the rated load capacity of 45.5kg (100lb)

## ONLY USE MANUFACTURER APPROVED PARTS

If a part needs replacing, only use the manufacturer's original parts. Non-original replacement parts will invalidate your warranty and may result in a safety hazard or poor operation.

# OPERATION



**DANGER**

The product must only be put into operation if no defects are found. It is crucial that defective parts are replaced before the product is used again. Check the safety equipment and the safe condition of the product: Check all parts to make sure that they fit tightly. Check whether there are any visible defects: broken parts, cracks, etc.



**DANGER**

**DO NOT EXCEED THE EQUIPMENT MAXIMUM LOAD CAPACITY OF 45.5KG (100LB)**

**Before filling the hopper, familiarise yourself with the operation of this Spreader.**

- Inspect your spreader before each use. Make sure the wheels turn easily, and the gearbox moves when the spreader is pushed. The hopper should be clean and free from cracks.
- The spreader is designed to spread a range of materials (Ice Melt, Sand, Fertilizer and Grass Seed). Materials such as Powder, Manure, Top Soil and Gravel have the wrong physical characteristics and should not be used with your spreader.
- Determine the approximate square footage of the area to be covered and estimate the amount of material required. Please refer to the material manufacturer's recommendation. Break up any lumpy material as you fill the hopper.
- Before filling the hopper, make sure that the flow control lever is in the "0" position and the flow control plate is closed.
- Set the adjustable stop with the flow control lever always in the "0" position. Before you stop or turn the spreader, close the flow control plate to stop dispersing the material and continue one more stride. This reduces waste and avoids damaging the lawn with oversaturated product coverage.
- Follow the material manufacturer's recommended coverage rate for each product.
- To maintain the same coverage when walking at a different speed, adjust the flow rate. Reduce the flow setting for slower speeds and increase the flow setting for higher speeds.
- Keep the impeller plate horizontal when operating the spreader. Tilting the spreader will result in uneven coverage.
- Always start walking before opening the closure plate.
- If spreading material is accidentally deposited too heavily, soak the area thoroughly with a garden hose or sprinkler to prevent burning of the lawn.
- To ensure consistent coverage, make sure each broadcast pattern slightly overlaps the previous broadcast pattern.
- When broadcasting spreading material, make sure the broadcast pattern does not hit evergreen trees, flowers or shrubs.
- Do not over apply spreading material. Follow the recommended coverage rate for each product. Over application will lead to lawn damage and contamination. Always use the rain cover in wet weather conditions to keep the hopper contents dry.

## **DO NOT USE WITH ROCK SALT.**

Using rock salt in this spreader will damage the mechanism and shorten the life of the product. Refined ice melting salt can be used, but the user should be aware that using salt may corrode certain components of the spreader and reduce the life of the machine.

Clean the spreader thoroughly after using refined de-icing salt.

# RATE SETTINGS

Our spreaders are designed to spread dry, powdered or granulated materials thinly and evenly over reasonably smooth surfaces.

- Ensure that the material is dry and free-running. If in doubt pass it through a sieve with 3mm mesh to remove lumps.
- Set rate-setting dial to No 2.
- Fill the hopper approximately 3/4 full.
- Push the spreader forward and pull the control lever back to the Stop bolt. If the spread is uneven or inadequate, close the feed-gate and reset the dial to a higher number.

**Always move off BEFORE opening the feed-gate and close the gate BEFORE stopping.**



## CAUTION

The rate settings are guidelines only. Even branded materials may vary in grain size, humidity, density etc. If in any doubt choose a lower setting than that suggested or start at setting no. 2 and adjust as necessary, until an even spread is achieved.



## WARNING

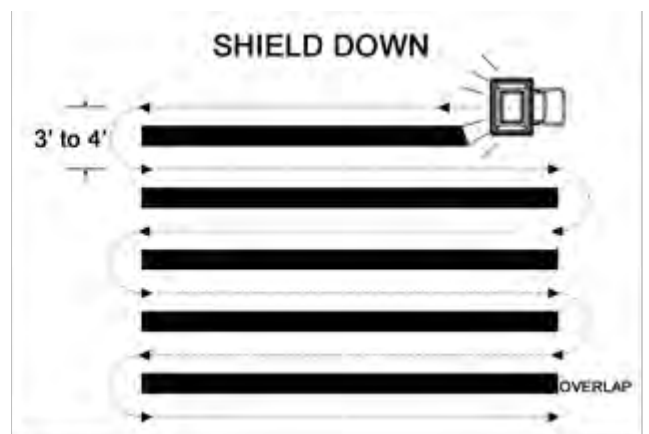
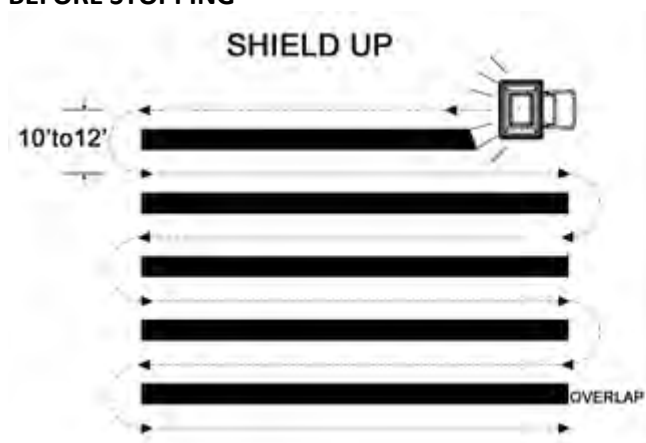
Do not over apply spreading material. Follow the recommended coverage rate for each product. Over application will lead to damage and contamination. If spreading material accidentally deposits too heavily, soak the area thoroughly with a garden hose or sprinkler to prevent burning.

## ADJUSTING THE FLOW

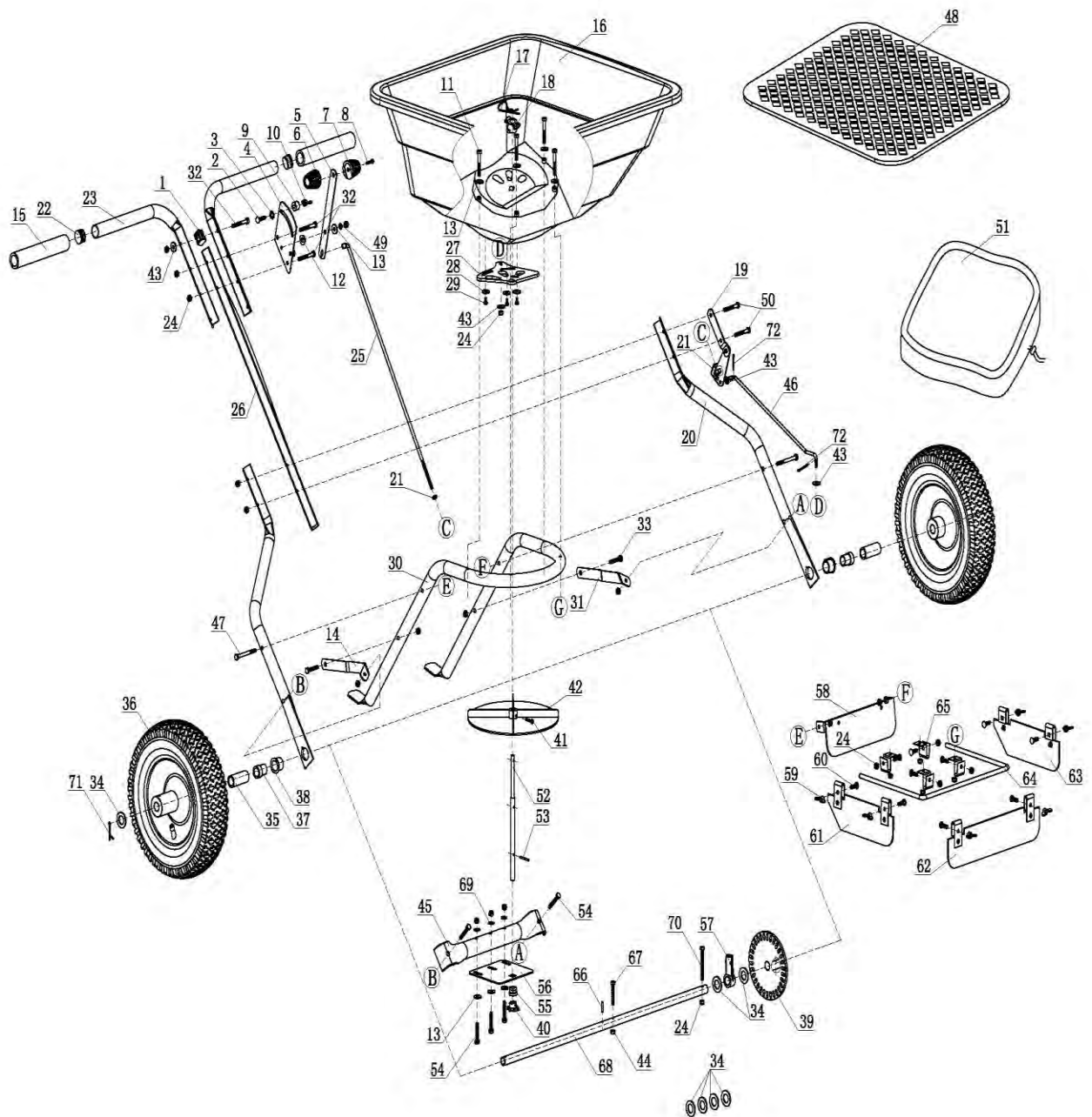
- For proper material flow settings refer to the spreading instructions section.
- Move the bolt on the flow control assembly to the proper setting and tighten.
- Pushing the spreader forward at brisk walking speed will ensure consistent coverage of material.
- Before stopping, move the flow control lever to the closed position.

## CONSISTENT COVERAGE

To ensure consistent coverage, ensure each broadcast pattern slightly overlaps the previous, as shown below. **N.B. ALWAYS MOVE OFF BEFORE OPENING FEED-GATE. ALWAYS CLOSE FEED-GATE BEFORE STOPPING**



# PARTS DIAGRAM



**NOTE:** Parts Lists are supplied for information purposes only, not all parts are stocked individually & we recommend you contact our Spares Team on 01793 333212 for expert advice.

## PARTS LIST

Ref#	Part No.	Description	Qty	Ref#	Part No.	Description	Qty
1	TH179-1	Handle Connecting Piece	1	37	TH179-37	Inner Axle Bushing	2
2	TH179-2	Semi-Circle Bolt M6X25	1	38	TH179-38	Outer Axle Bushing	2
3	TH179-3	Lock Washer Ø8	1	39	TH179-39	Gear	1
4	TH179-4	Gauge Plate Assembly	1	40	TH179-40	Small Gear	1
5	TH179-5	Adjust Handle	1	41	TH179-41	Screw M4X20	1
6	TH179-6	Adjusting Handle A	1	42	TH179-42	Impeller	1
7	TH179-7	Adjusting Handle B	1	43	TH179-43	Flat Washer Ø6	4
8	TH179-8	Screw Bolt	1	44	TH179-44	Nylon Lock Nut M5	1
9	TH179-9	Spacer	1	45	TH179-45	Cross Tube	1
10	TH179-10	Wing Nut	1	46	TH179-46	Connecting Rod B	1
11	TH179-11	Bolt M6x45	4	47	TH179-47	Bolt M6X65	2
12	TH179-12	Nylon Washer	1	48	TH179-48	Screen	1
13	TH179-13	Big Flat Washer Ø6	8	49	TH179-49	Spring Washer	1
14	TH179-14	Connecting Plate B	1	50	TH179-50	Bolt M6X55	2
15	TH179-15	Handle Foam	2	51	TH179-51	Rain Cover	1
16	TH179-16	Hopper	1	52	TH179-52	Vertical Axle	1
17	TH179-17	R pin Ø2x60	1	53	TH179-53	Roll Pin Ø3X16	1
18	TH179-18	Middle Spacer	1	54	TH179-54	Bolt M6X40	5
19	TH179-19	Pivot Bracket Assembly	1	55	TH179-55	Vertical Axle Bushing	1
20	TH179-20	Wheel Tube	2	56	TH179-56	Vertical Axle Fixing Plate	1
21	TH179-21	Nut M6	2	57	TH179-57	Vertical Axle Fixing Base	1
22	TH179-22	End Cap	2	58	TH179-58	Back Deflector	1
23	TH179-23	Handle Tube	2	59	TH179-59	Wing Nut M6	6
24	TH179-24	Nylon Lock Nut M6	25	60	TH179-60	Bolt M6X20	10
25	TH179-25	Connecting Rod A	1	61	TH179-61	Left Deflector	1
26	TH179-26	Handle Connecting Tube	1	62	TH179-62	Front Deflector	1
27	TH179-27	Adjustable Plate	1	63	TH179-63	Right Deflector	1
28	TH179-28	Big Flat Washer Ø4	3	64	TH179-64	Hanging Tube	1
29	TH179-29	Screw Bolt M4X12	3	65	TH179-65	Plate	4
30	TH179-30	Frame Tube	1	66	TH179-66	Roll Pin Ø4x30	1
31	TH179-31	Connecting Plate A	1	67	TH179-67	Bolt M5X40	1
32	TH179-32	Bolt M6x50	3	68	TH179-68	Wheel Axle	1
33	TH179-33	Bolt M6x35	2	69	TH179-69	Lock Washer Ø6	3
34	TH179-34	Flat Washer Ø16	7	70	TH179-70	Bolt M6X60	1
35	TH179-35	Bushing	2	71	TH179-71	Cotter Pin Ø5X35	1
36	TH179-36	Wheel	2	72	TH179-72	Cotter Pin Ø2X10	2

**NOTE:** Parts Lists are supplied for information purposes only, not all parts are stocked individually & we recommend you contact our Spares Team on 01793 333212 for expert advice.



# GJ HANDY & CO LTD USER WARRANTY POLICY

## **Users Statement of Warranty**

Each new machine is warranted against defective material or assembly of material under normal usage. The warranty applies to the original purchaser and covers faulty parts and the labour involved in replacing and repairing those parts, which are of original manufacture.

## **Period of Warranty**

### **Webb (excludes Electric Handheld & Dynamic), Webb Pro, Sanli Engine**

- a) 2 years from the original date of sale to the first domestic user.
- b) 90 days from the original date of sale to the professional/commercial user.
- c) 90 days from the original date of sale when used for hire.
- d) A reduced warranty period of 90 days applies to those items which are subject to normal wear and tear (e.g. but not limited to wheels, tyres, cutter bars, cylinders, cutting blades, blade boss, belts, cables, nylon line & spool, collection bags, spark plugs).
- e) Engines are supplied with a separate warranty to the machine. The engine manufacturers warranty statement which will be supplied within the engine instruction manual. All enquiries and warranty repairs should be discussed with the engine manufacturer or approved warranty repair dealer.
- f) 90 days from the original date of purchase for Replacement Spare Parts (unless normal wear & tear component, which are covered for 30 days).
- g) All machines' must be serviced within the first 12 months from the original date of purchase to comply with the warranty, failure to do so will invalidate the 2nd year of the warranty.

All warranty repairs must be undertaken by an authorised service dealer. These dealers have been accredited by GJ Handy & Co Ltd and agree to only use genuine parts and follow our repair procedures.

### **Webb Electric Handheld, Webb Dynamic, The Handy, Mowerland, Q-Garden**

- a) 1 year from the original date of sale to the first domestic user.
- b) 90 days from the original date of sale to the professional/commercial user.
- c) 90 days from the original date of sale when used for hire.
- d) A reduced warranty period of 90 days applies to those items which are subject to normal wear and tear (e.g. but not limited to wheels, tyres, cutter bars, cylinders, cutting blades, blade boss, belts, cables, nylon line & spool, collection bags, spark plugs).
- e) Engines are supplied with a separate warranty to the machine. The engine manufacturers warranty statement which will be supplied within the engine instruction manual. All enquiries and warranty repairs should be discussed with the engine manufacturer or approved warranty repair dealer.
- f) 90 days from the original date of purchase for Replacement Spare Parts (unless normal wear & tear component, which are covered for 30 days).

All warranty repairs must be undertaken by an authorised service dealer. These dealers have been accredited by GJ Handy & Co Ltd and agree to only use genuine parts and follow our repair procedures.

# GJ HANDY & CO LTD USER WARRANTY POLICY

## **Not covered by this warranty**

- a) The warranty policy does not cover any depreciation or damages caused by ordinary wear, rusting or corrosion, lack of correct maintenance or operation, misuse, abuse, lack of transportation or accident.
- b) The warranty policy does not cover any costs necessary for the standard periodic maintenance services instructed by the operator's manual, or service parts replacement which would include oil, filters, tyres, belts, brake linings, fuses, blades, seals and other service parts unless it can be proven that the item has evidence of faulty manufacture.
- c) The warranty policy will not cover failure or damage caused as a result of parts or accessories being modified without the written approval of GJ Handy & Co Ltd.
- d) The warranty policy will not cover the unit if non-genuine parts have been fitted and as a result damage has occurred to the unit.
- e) The warranty policy is non-transferable and is only applicable to the original purchaser.

## **Disclaimer**

- a) This warranty is only a remedy for defect of products. GJ Handy & Co Ltd will never warranty in terms of the merchantability or the fitness for a particular purpose.
- b) No person is authorised to make any warranties, representations or promises, expressed or implied, on behalf of GJ Handy & Co Ltd, or to modify the terms conditions or limitation of this warranty policy in any way.
- c) Neither GJ Handy & Co Ltd nor any company affiliated with GJ Handy & Co Ltd shall be liable in any event or manner whatsoever for incidental or consequential damages or injuries, including, but not limited to, loss of crops, loss of profit, out of pocket expenses or profits, rental of substitute equipment or other commercial losses.

## **General**

- a) Most warrantable failures show up within the first few weeks of use. These failures are usually straightforward and warranty assessment is relatively easy.
- b) Failures relating to cutter decks and belts need careful investigation, as the cause may not always be straightforward. Look for damage to blades and pulleys especially when the cutter belt or blade boss have snapped or cracked as this could be due to impact damage.
- c) Customers should always refer to the operator/instruction manual when any disputed problem arises, you will find most areas covered within the manual.



For spares or support of your handy product,  
please contact us:

Tel: 01793 333212

Email: [customerservice@handydistribution.co.uk](mailto:customerservice@handydistribution.co.uk)  
(Mon – Fri 8.00am to 5.30pm excl. Bank Holidays)

**To see our range of garden machinery & equipment visit:**

**[www.thehandy.co.uk](http://www.thehandy.co.uk)**

**Making gardening easier & affordable since 1938**

Distributed by Handy Distribution, Murdock Road, Dorcan, Swindon, SN3 5HY