

MC-209

LVDS EX-SDI CVBS

2MP High Resolution 20x Zoom Module

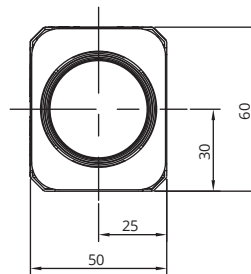


Features

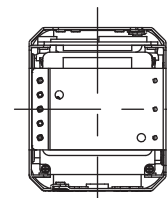
- 1/2.8" 2MP Sony CMOS Sensor
- 1080p 60fps/30fps, 1080i 60fps, 720p 60fps/30fps • 20x Optical Zoom(5.2mm ~ 104mm) & 32x Digital Zoom
- Day & Night(ICR)
- Wide Dynamic Range
- Digital Noise Reduction(2D+3D)
- Digital Image Stabilization
- Privacy Mask Function
- High Light Compensation
- Intelligent Motion Detection
- Defog Function
- Supports VISCA, Pelco-D/P Protocol
- Video Out : LVDS, EX-SDI, CVBS

Dimensions

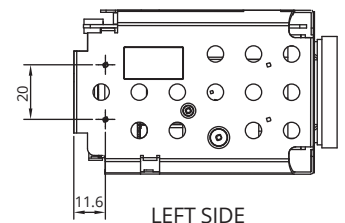
Unit : mm



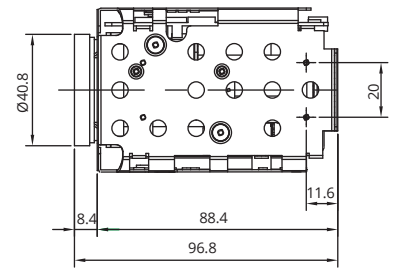
FRONT



BACK

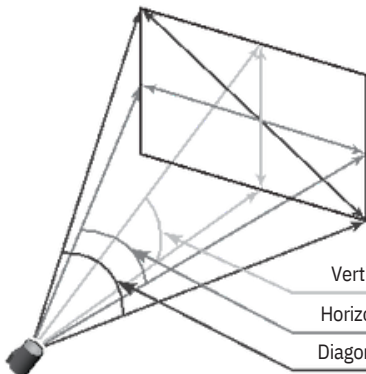


LEFT SIDE

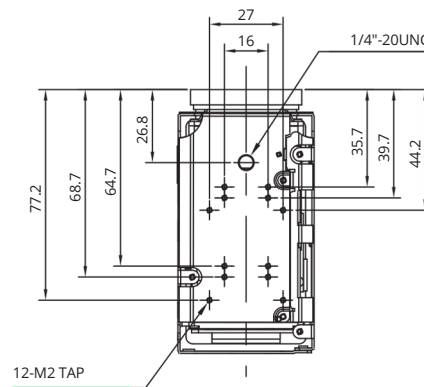


RIGHT SIDE

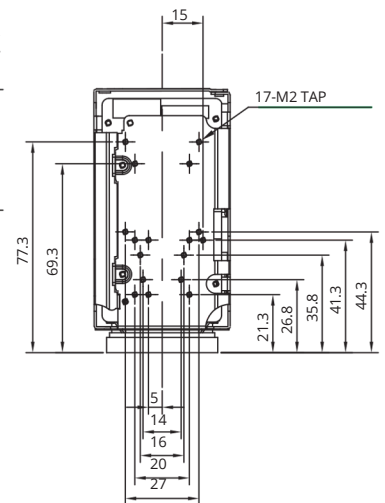
Field of View



Vertical	W: 33.5° / T: 1.7°
Horizontal	W: 56.4° / T: 3.1°
Diagonal	W: 63.2° / T: 3.5°



BOTTOM



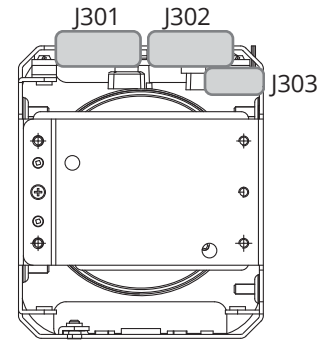
TOP

Specifications

MC-209				
Image Sensor	1/2.8" Sony CMOS Sensor			
Total Pixels	1,945 (H) x 1,109 (V) = 2.16M Pixels			
Active Pixels	1,937 (H) x 1,097 (V) = 2.12M Pixels			
Scanning System	Progressive Scan			
Sync. System	Internal			
Resolution	Digital : 1080p/60(50)fps, 1080i60(50)fps,1080p/30(25)fps,			
	720p/60(50)fps, 720p/30(25)fps			
	Analog : 700TVL			
Min. Illumination	Color(1/30s, 78dB) : 0.01 lux , BW(1/30s, 78dB) : 0.001lux			
	Color DSS(1/1s, 78dB) : 0.001 lux , BW DSS(1/1s, 78dB) : 0.0001 lux			
Video Output	HD : LVDS, EX-SDI			
	Analog SD : VBS			
S/N Ratio	more than 50dB(AGC off)			
Lens Type	20x Day & Night Zoom Lens			
Zoom Ratio	Optical 20x, Digital 32x Zoom			
Focal Length	f = 5.2 mm ~ 104 mm			
Aperture Ratio	F1.5 (wide) ~ F3.5 (tele)			
Angle Of View(D, H, V)	Wide	63.2°	56.4°	33.5°
	Tele	3.5°	3.1°	1.7°
AF Mode	Auto / One Push / Manual			
Min. Distance	0.5 / 1.5 / 3.0 / 5.0 / 10.0 m			
Lens Refresh	One Push / 1 ~ 10Day			
Digital Zoom	Off / MAX 2x ~ 32x			
Exposure	Auto / Iris.P / Shut.P / Manual			
Gain Control(AGC)	Off / On			
Shutter Speed	1/30(25) ~ 1/60,000 sec			
Iris	0 ~ 20 steps			
Digital Slow Shutter(DSS)	Off / 2x / 4x / 8x / 16x / 32x (/64x : 60 or 50 fps mode only)			
Brightness	0 ~ 20 steps			
WDR/BLC	Off / WDR / BLC			
Day&Night	Auto / Day / Night / Ext-in			
White Balance	Auto / One Push / Manual / Indoor / Outdoor / Auto-Ext			
HLC	Off / On / Night Only			
DNR	Auto / Off / Low / Middle / High			
Mirror	Off / H / V / H&V			
Sharpness	0 ~ 10 steps			
ACE	Off / Low / Middle / High			
Defog	Off / On(Auto / Manual)			
Privacy Mask	Max. 24 Areas			
Motion Detection	Max. 3 Areas			
Defect Detection	Off / On			
System	NTSC / PAL			
Communication	Baud Rate : 2400 / 4800 / 9600 / 19200 / 38400 / 57600 / 115200			
	Protocol : VISCA / Pelco-D / Pelco- P / Update			
Language	English / Simplified Chinese / Traditional Chinese / Japanese			
Power Source	9V to 15V DC			
Power Consumption	Max 500mA			
Power Input	Connector			
Video Output	Connector			
Storage Temperature	-20°C ~ +60°C (Humidity : 0%RH ~ 90%RH)			
Operating Temperature	-10°C ~ +50°C (Humidity : 0%RH ~ 90%RH)			
Dimensions	50(W) x 60(H) x 97(D)			
Weight	232g			

* Design and specifications are subject to change without notice.

Pin Assignment



J301	
1	TXOUT3+
2	TXOUT3-
3	TXCLKOUT+
4	TXCLKOUT-
5	TXOUT2+
6	TXOUT2-
7	TXOUT1+
8	TXOUT1-
9	TXOUT0+
10	TXOUT0-
11	GND
12	TxD
13	RxD
14	DC IN
15	DC IN
16	DC IN
17	DC IN
18	DC IN
19	GND
20	GND
21	TXOUT7+
22	TXOUT7-
23	TXOUT6+
24	TXOUT6-
25	EXSDI+
26	EXSDI-
27	TXOUT5+
28	TXOUT5-
29	TXOUT4+
30	TXOUT4-

J302	
1	GND
2	TxD
3	RxD
4	NC
5	GND
6	NC
7	GND
8	ADKEY
9	NC
10	D/N-IN
11	NC
12	MD-OUT
13	485-DIR
14	NC
15	GND
16	+5V
17	GND
18	VBS-OUT
19	GND
20	DC IN
21	DC IN
22	DC IN
23	DC IN
24	DC IN

Ref 05002HR-24J05(YEONHO)

J303	
1	GND
2	VBS-OUT

Ref 12505WR-02(YEONHO)

Ref USL00-30L-C(KEL Cop.)