

Technical Catalogue



Rolling Shutter Series Optical Auto Focus Zoom C

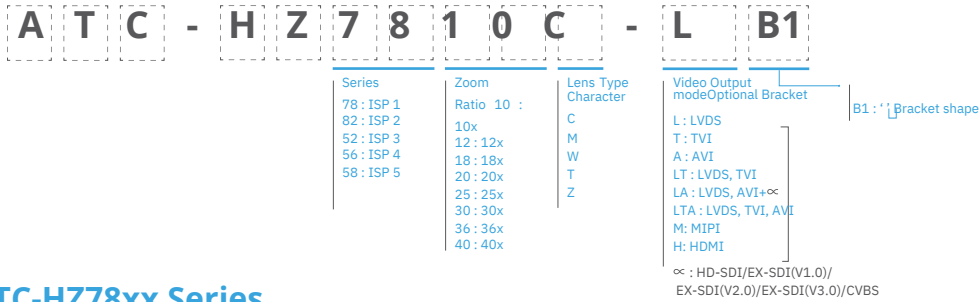




HD Auto Focus Optical Zoom Block Camera

ZOOM CAMERA

Model naming



ATC-HZ78xx Series

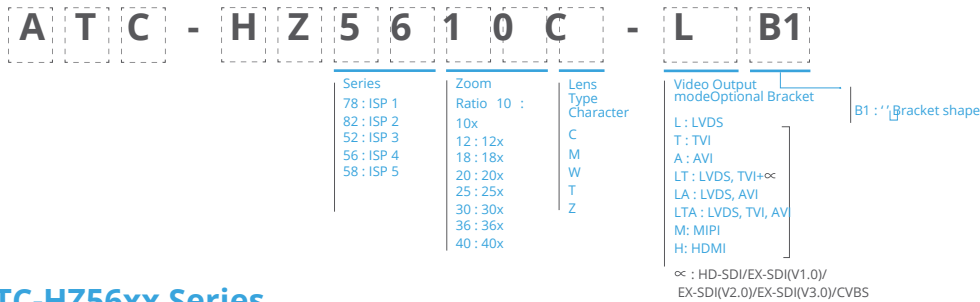
Model Name	ATC-HZ7810C-L	ATC-HZ7810C-LB1	ATC-HZ7810C-T ATC-HZ7810C-A	ATC-HZ7830W-LTA	ATC-HZ7836W-LTA	ATC-HZ7830T-LT ATC-HZ7830T-LA	ATC-HZ7830Z-LT ATC-HZ7830Z-LA
Optical Zoom Ratio	10x			30x	36x	30x	30x
Image Sensor	1/2.8" CMOS			1/2" CMOS		1/2.8" CMOS	
Video Output Mode	EX-SDI (V1.0)	<input type="radio"/>	<input type="radio"/>	<input type="radio"/>	<input type="radio"/>	<input type="radio"/>	<input type="radio"/>
	HD-SDI	<input type="radio"/>	<input type="radio"/>	<input type="radio"/>	<input type="radio"/>	<input type="radio"/>	<input type="radio"/>
	CVBS	<input type="radio"/>	<input type="radio"/>	<input type="radio"/>	<input type="radio"/>	<input type="radio"/>	<input type="radio"/>
	AVI	<input checked="" type="radio"/>	<input checked="" type="radio"/>	<input checked="" type="radio"/> (A)	<input type="radio"/>	<input type="radio"/>	<input type="radio"/>
	TVI	<input checked="" type="radio"/>	<input checked="" type="radio"/>	<input checked="" type="radio"/> (T)	<input type="radio"/>	<input type="radio"/>	<input type="radio"/>
	LVDS	<input type="radio"/>	<input type="radio"/>	<input checked="" type="radio"/>	<input type="radio"/>	<input type="radio"/>	<input type="radio"/>
Parallel	<input checked="" type="radio"/>	<input checked="" type="radio"/>	<input checked="" type="radio"/>	<input checked="" type="radio"/>	<input checked="" type="radio"/>	<input checked="" type="radio"/>	<input checked="" type="radio"/>
Max. Video Resolution	LVDS / HD-SDI / CVBS : Max.1080p@60(50fps) EX-SDI / AVI / TVI : Max.1080p@30(25fps)						ATC-HZ7830Z-LT HD-SDI/LVDS: 1080p@60(50fps), EX-SDI/TVI: 1080p@30(25fps) ATC-HZ7830Z-LA LA: HD-SDI/LVDS: 1080p@60(50fps), EX-SDI/AVI: 1080p@30(25fps)
D&N Mode	Auto ICR						
Image Freeze	<input type="radio"/>	<input type="radio"/>	<input checked="" type="radio"/>	<input type="radio"/>	<input type="radio"/>	<input type="radio"/>	<input type="radio"/>
Image Flip	<input type="radio"/>	<input type="radio"/>	<input checked="" type="radio"/>	<input type="radio"/>	<input type="radio"/>	<input type="radio"/>	<input type="radio"/>
Privacy Mask Zone	<input type="radio"/>	<input type="radio"/>	<input checked="" type="radio"/>	<input type="radio"/>	<input type="radio"/>	<input type="radio"/>	<input type="radio"/>
Digital Image Stabilization	<input type="radio"/>	<input type="radio"/>	<input checked="" type="radio"/>	<input type="radio"/>	<input type="radio"/>	<input type="radio"/>	<input type="radio"/>
Detection WDR	<input type="radio"/>	<input type="radio"/>	<input checked="" type="radio"/>	<input type="radio"/>	<input type="radio"/>	<input type="radio"/>	<input type="radio"/>
3D-DNR	<input type="radio"/>	<input type="radio"/>	<input checked="" type="radio"/>	<input type="radio"/>	<input type="radio"/>	<input type="radio"/>	<input type="radio"/>
Defog	<input type="radio"/>	<input type="radio"/>	<input checked="" type="radio"/>	<input type="radio"/>	<input type="radio"/>	<input type="radio"/>	<input type="radio"/>
UART	RS232 TTL +5.0V(+3.3V Compatible)						
Optional Model	ATC-HZ7810C-L(L): LVDS, CVBS available ATC-HZ7810C-S(S): HD-SDI, EX-SDI(1.0), CVBS available	ATC-HZ7810C-LB1(L): LVDS, CVBS available ATC-HZ7810C-SB1(S): HD-SDI, EX-SDI(1.0), CVBS available	ATC-HZ7810C-TB1, ATC-HZ7810C-AB1 : Different cage size Dimension : 38X42.4X60.1mm	NIL			



HD Auto Focus Optical Zoom Block Camera

ZOOM CAMERA

Model naming



ATC-HZ56xx Series

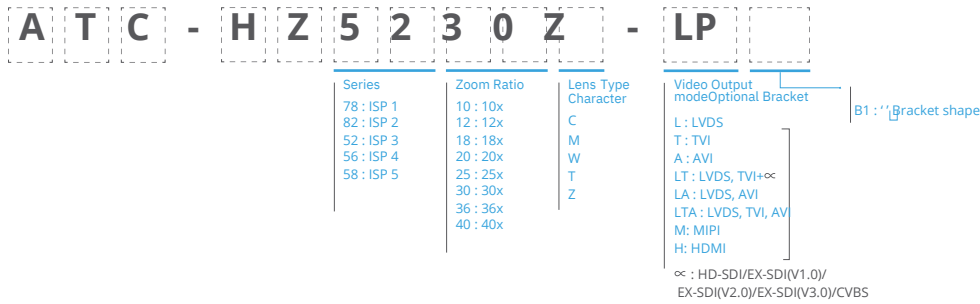
Model Name	ATC-HZ5610C-LC ATC-HZ5610C-LX	ATC-HZ5610C-PC	ATC-HZ5610C-TA	ATC-HZ5612W-LP ATC-HZ5612W-TA	ATC-HZ5630W-LP ATC-HZ5630W-TA	ATC-HZ5636W-LP ATC-HZ5636W-TA	ATC-HZ5630T-LP ATC-HZ5630T-LPX	ATC-HZ5630Z-LP
Optical Zoom Ratio	10x			12x	30x	36x	30x	30x
Image Sensor	1/2.8" CMOS			1/1.8" CMOS			1/2.8" CMOS	
Video Output Mode	EX-SDI (V1.0)	X	X	X	X	X	X	X
	HD-SDI	X	X	X	X	X	X	X
	CVBS	O	O	O	O O	O	O	O
	AVI	X	X	O	X (LP)X (LP) O (TA)O (TA)	X (LP) O (TA)	X	X
	TVI	X	X	O	X (LP)X (LP) O (TA)O (TA) O (LP)O (LP)	X (LP) O (TA) O (LP)	X	X
	LVDS	O	X	X	X (TA)X (TA) O (LP)O (LP) X (TA)X (TA)	X (TA) O (LP) X (TA)	O	O
	Parallel	X	O	X	LVDS / CVBS / Parallel : Max.1080p@60(50fps) AVI / TVI : Max.1080p@30(25fps)	X (TA)X (TA)	O	O
Max. Video Resolution	Auto ICR							
D&N Mode								
Image Freeze	O	O	O	O	O	O	O	O
Image Flip	O	O	O	O	O	O	O	O
Privacy Mask Zone	O	O	O	O	O	O	O	O
Digital Image Stabilization	O (LC) X (LX)	O	O	O	O	O	O (LP) X (LPX)	O
Motion Detection	O	O	O	O	O	O	O	O
WDR	O	O	O	O	O	O	O	O
3D-DNR	O	O	O	O	O	O	O	O
Defog	O	O	O	O	O	O	O	O
UART	RS232 TTL +5.0V(+3.3V Compatible)							
Optional Model	NIL							



HD Auto Focus Optical Zoom Block Camera

ZOOM CAMERA

Model naming



Model Name	ATC-HZ5230Z-LCN	ATC-HZ5240T-LCN	ATC-HZ8240T-LTA	ATC-UZ5818M-H
Optical Zoom Ratio	30x	40x	40x	18x
Image Sensor	1/2.8" CMOS			1/1.8" CMOS
Video Output Mode	EX-SDI	X	X	O
	HD-SDI	X	X	X
	CVBS	O	O	O
	AVI	X	X	X
	LVDS	X	X	X
	Parallel	O	O	X
	HDMI	X	X	O
	Max. Video Resolution	LVDS / Parallel :1080p@60(50fps)		HD-SDI/LVDS:1080p@60(50fps), EX-SDI/TVI/AVI:1080p@30(25fps)
D&N Mode	Auto ICR			
Image Freeze	O	O	O	O
Image Flip	O	O	O	O
Privacy Mask Zone	O	O	O	O
Digital Image Stabilization Motion	O	O	O	O
Detection WDR	O	O	O	O
3D-DNR	O	O	O	O
Defog	O	O	O	O
UART	O	O	O	O
	RS232 TTL +5.0V(+3.3V Compatible)			
Optional Model	NIL			



Core Functions

ZOOM CAMERA

•High speed zoom tracking and extremely precise auto focusing.

• Wide Dynamic Range

Wide Dynamic Range is a technology used to compensate problems with various light exposure. It can work on the dark and bright areas on the image by reproducing a balanced image to improve overall image quality.



WDR OFF



WDR ON

• Digital Image Stabilization

DIS greatly reduces image blur caused by vibration.



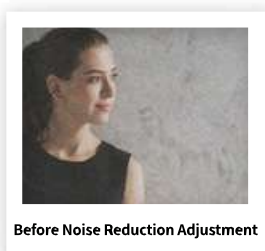
No Digital Image Stabilization



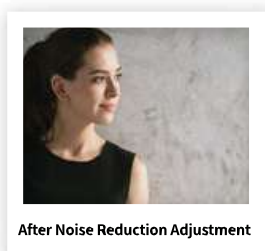
With Digital Image Stabilization

• Noise Reduction

Noise reduction is the process of removing noise from a signal. The HZ78/56 series cameras are optimized to obtain extremely low-noise image by incorporating 2D/3D-DNR.



Before Noise Reduction Adjustment



After Noise Reduction Adjustment

• Defog

Defog enables clearer images during foggy and low contrast environments.



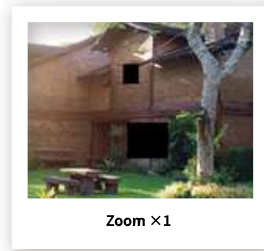
Defog (OFF)



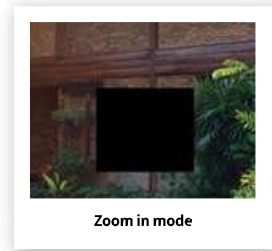
Defog (ON)

• 3D Privacy Masking Zone

Masking zone function is to protect private and sensitive areas. The masking area is maintained proportional to the zoom level. 78 series : 16 zones, 56 series : 8 zones can be specified.



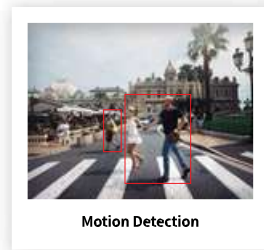
Zoom x1



Zoom in mode

• Motion Detection

Motion detection is the process of detecting a change in specified areas. 4 zones can be specified.



Motion Detection

• Auto ICR

Infrared Cut-Filter is automatically enabled or disabled according to changing light conditions or Day/Night Mode.



Day-mode with ICR ON



Day-mode without ICR



Night-mode with ICR OFF

• Image Rotation(E-Flip) and Freeze

Image Rotation allows the images to be flipped horizontally, vertically, or both. The Freeze function stills the image.

Normal Image Horizontal Flip Vertical Flip 180 Reverse Flip





Rolling Shutter Series

ATC-HZ7810C-L
 ATC-HZ7810C-LB1
 ATC-HZ7810C-T
 ATC-HZ7810C-A
 ATC-HZ7830T-LT
 ATC-HZ7830T-LA
 ATC-HZ7830Z-LT
 ATC-HZ7830Z-LA
 ATC-HZ5610C-LC
 ATC-HZ5610C-PC
 ATC-HZ5610C-LX
 ATC-HZ5610C-TA
 ATC-HZ5612W-LP
 ATC-HZ5612W-TA
 ATC-HZ5630W-LP
 ATC-HZ5630W-TA
 ATC-HZ5636W-LP
 ATC-HZ5636W-TA
 ATC-HZ5230Z-LP
 ATC-HZ5240T-LP
 ATC-HZ8240T-LTA
 ATC-UZ5818M-H

ATC-HZ7810C-L(L)
 ATC-HZ7810C-S(S)
 ATC-HZ7810C-LB1(L)
 ATC-HZ7810C-SB1(S)

ATC-HZ7830W-LTA
 ATC-HZ7836W-LTA
 ATC-HZ5630T-LP
 ATC-HZ5630T-LPX
 ATC-HZ5630Z-LP



Outline

The Rolling Shutter series are high resolution auto focus optical zoom block cameras that support Full HD video that incorporates the latest advanced ISP technology and highly sensitive CMOS sensors.

The series supports various video output format such as HD-SDI, EX-SDI, LVDS, Parallel, CVBS, HDMI for various applications. Furthermore, the series supports high speed zoom tracking and highly accurate auto focusing. Superior low-noise images can be obtained even in dark environments.

Model Name	Image Sensor	Lens Features	Max. Video Resolution
ATC-HZ7810C	1/2.8" CMOS	f=5.1~51mm(10x) F1.6~1.8	HD-SDI/LVDS : 1080p@60(50fps) EX-SDI/TVI/AVI : 1080p@30(25fps)
ATC-HZ7830T	Sensor 1/2.8"	f=4.3~129mm(30x) F1.6~5.0	
ATC- HZ7830W	CMOS Sensor 1/1.8"	f=6.0~180mm(30x) F1.5~4.3	
ATC- HZ7830Z	Sensor 1/1.8"	f=6.0~216mm(36x) F1.5~4.8	
ATC- HZ7836W	CMOS Sensor 1/2.8"	f=5.1~51mm(10x) F1.6~1.8	LVDS : 1080p@60(50fps) Parallel : 1080p@60(50fps)
ATC- HZ5610C	Sensor 1/2.8"	f=7.0~84mm(12x) F1.5~1.9	
ATC- HZ5612W	CMOS Sensor 1/1.8"	f=6.0~180mm(30x) F1.5~4.3	LVDS / Parallel : 1080p@60(50fps) TVI/AVI : 1080p@30(25fps)
ATC- HZ5630W	Sensor 1/1.8"	f=6.0~216mm(36x) F1.5~4.8	
ATC- HZ5636W	CMOS Sensor 1/2.8"	f=4.3~129mm(30x) F1.6~5.0	LVDS / Parallel: 1080p@60(50fps)
ATC- HZ5630T	Sensor 1/1.8"	f=5.0~150mm(30x) F1.6~4.3	
ATC- HZ5630Z	CMOS Sensor 1/2.8"	f=5.3~130mm(25x) F1.6~4.3	LVDS / Parallel : 1080p@60(50fps)
ATC- HZ5225Z	Sensor 1/2.8"	f=5.0~150mm(30x) F1.6~4.3	
ATC- UZ5818M	CMOS Sensor 1/1.8"	f=4.25~170mm(40x) F1.6~4.95	HD-SDI/LVDS: 1080p@60(50fps), EX-SDI/TVI/AVI: 1080p@30(25fps)
ATC- HZ5240T	CMOS Sensor 1/2.8"	f=6.8~120mm(18x) F1.6~4.13	HDMI(1.4a) : 4K(3840x2160) @30(25fps)

Features

- Image Sensor
1/2.8" Progressive Scan CMOS or 1/8" Progressive Scan CMOS
- Video Signal Format
Depending on register settings, you can select from various digital output methods;
4K(3840x2160)/30, 1080p/60,1080p/50,1080p/30, 1080p/25, 720p/60, 720p/50, 720p/30, 720p/25, 1080i/50, 1080i/60,
- Video Output
HD-SDI / EX-SDI(1.0) / EX-SDI(V2.0) / EX-SDI(V3.0) / CVBS / LVDS / Parallel / AVI / TVI / HDMI
- LVDS output mode can be set, Single / Dual output
- Wide Dynamic Range
It produces high quality image across a broad range of light intensity.
- Noise Reduction
It is optimized to obtain extremely low-noise image incorporating 2D/3D-DNR.
- Auto ICR
Infrared Cut-Filter is automatically enabled or disabled according to changing light conditions or Day/Night Mode.
- Defog
Defog enables clearer images during foggy and low contrast environments.
- 3D Privacy Masking Zone
Maximum 78 series : 16 zones, 56 series : 8 zones are available. Support 256 internal zoom/focus presets.
- Motion Detection is available.
- Digital Image Stabilization
DIS allows reduction in image blurring caused by vibration. Image Flip and freeze.
- Available UART RS232TTL(VISCA/Pelco-D/Pelco-P/Hitachi)



Rolling Shutter Series Specifications

ZOOM CAMERA

Model Name	ATC-HZ7810C-L	ATC-HZ7810C-LB1	ATC-HZ7810C-T ATC-HZ7810C-A	ATC-HZ7830W-LTA	ATC-HZ7836W-LTA	ATC-HZ7830T-LT ATC-HZ7830T-LA	ATC-HZ7830Z-LT ATC-HZ7830Z-LA	
Video System								
Image Sensor	1/2.8" Progressive Scan CMOS		1/2" Progressive Scan CMOS		1/2.8" Progressive Scan CMOS			
Effective Pixels	2.13MP 1945(H) x 1097(V)							
Video Common Output Mode	HD-SDI/EX-SDI(V1.0)/CVBS							
Max. Video Resolution	LVDS		TVI(T), AVI(A)/LVDS / TVI / AVI			TVI / LVDS(LT), AVI / LVDS(LA)		
Synchronization system	Internal							
Min.Illumination								
Min.Illumination (Condition : DSS OFF, AGC28dB)	Day mode: 0.05Lux(F1.6) Night mode: 0.03Lux(F1.6, IR-cut filter on)		Day mode: 0.1Lux(F1.5) Night mode: 0.08Lux(F1.5/ IR-cut filter on)			Day mode: 0.1Lux(F1.6) Day mode: 0.1Lux(F1.6) Night mode: 0.05Lux(F1.6) / Night mode: 0.06Lux(F1.6) IR-cut filter on)IR-cut filter on)		
S/N Rate	More than 52dB(AGC off, DSS off)							
Lens								
Type	AF Optical zoom lens(DC Iris), IR Corrective							
Focal Length	f=5.1mm~51mm		f=6.0mm~180mm f=6.0mm~216mm			f=4.3mm~129mm f=5.0~150mm		
F-value	m		F1.5(W)~4.3(T) F1.5(W)~4.8(T)			F1.6(W)~5.0(T) F1.6(W)~4.3(T)		
Angle of View	F1.6(W)~1.8(T) Horizontal 54.0°(W)~4.9°(T), Vertical 31.0°(W)~4.0(T)°		Horizontal 61.2°(W)~2.32°(T), Horizontal 58.4°(W)~2.2°(T), Vertical 36.1°(W)~1.30(T)°Vertical 34.1°(W)~1.2°(T)			Horizontal 58.9°(W)~2.11°(T), Horizontal 59.2°(W)~2.0°(T), Vertical 45.3°(W)~1.61(T)° Vertical 33.8°(W)~1.15°(T)		
Zoom ratio	Optical 10x / Digital 12x		Optical 30x / Optical 36x / Digital 12x/Digital 12x			Optical 30x / Digital 12x / Digital 12x		
Focus Min.Working Distance	0.01m(Wide)/1.0m(Tele)~∞		0.1m(Wide)/1.5m(Tele)~∞			0.01m(Wide)/1.0m(Tele)~∞ 0.1m(Wide)/1.5m(Tele)~∞		
Focus Control	Auto/Manual/Interval/One shot/PreSet							
Exposure								
AE Mode	Auto/Shutter Priority/Iris Priority/Manual							
Brightness	0~14							
Manual Shutter	1/1, 1/2, 1/4(3), 1/8(6), 1/15(12), 1/30(25), 1/60(50)~1/30000							
Manual Iris	F1.6~F19, Close							
Sense-up	Off~32Fields							
ETC	Spot AE, Slow AE							
Functions								
D&N Mode								
White Balance	Auto/Day(Color)/Night(BW)/External-H or L							
Image Freeze	AUTO/ATW/Indoor/Outdoor/One Push/Manual							
Image Flip	Off/On							
Privacy Mask Zone	Off/Horizontal/Vertical/H+V(180° Flip)							
Digital Image Stabilization	16 Zones/14 mask color selectable, semi-transparency							
Motion Detection	Yes							
D-WDR	4 Zones							
WDR	Off/Low/Middle/High							
BLC	Off/Low/Middle/High							
HLC	Off/On, Area Selectable							
AGC	Off/0~20, Color Selectable							
Sharpness	Max.58dB							
3D-DNR	Adjustable(0~15)							
2D-DNR	Off/On(1~5)							
Defog	Auto/Manual							
Preset	Off/Low/Middle/High							
Language	256 Position Presets(Zoom, Focus), 16 Memory Presets, Custom Preset							
Communication	English, Japanese, Russian, Spanish, German, France, Portuguese, Chinese(Only 'LTA' is not supported)							
Remote								
UART Protocol	RS232 TTL +5.0V(+3.3V Compatible)							
Baud rate	VISCA/Pelco-D/Pelco-P/Hitachi : Automatic Detection							
UTC	2400/4800/9600/19200/38400/57600/115200bps							
Power								
Supply Voltage	TVI(T)-UTC AVI(A)-UTCTVI, AVI(LTA)-UTC, TVI(LT)-UTC, AVI(LA)-UTC			TVI(LT)-UTC, AVI(LA)-UTC				
Power Consumption	12VDC(9V to 15VDC)							
Physical and Temperature Dimension(mm)	Max.4.0W / Non-working zoom & focus 2.5W		Max.4.2W / Non-working zoom & focus 2.6W		Max.5.0W / Non-working zoom & focus 3.0W		Max.5.2W / Non-working zoom & focus 3.2W	
Weight								
Operating Temperature	41.6X45X61.6mm		38X42.4X61.5mm		41.6X45X61.6mm		55X64X123mm	
Storage Temperature	Approx.124g		Approx.105g		Approx.124g		Approx.380g	
	-10°C~+50°C, Humidity(20~80%)							
	-20°C~+60°C, Humidity(20~95%)							

For More Information Please Call (623)240-0030* sales@block-cameras.com* <http://www.block-cameras.com>



Rolling Shutter Series Specifications

ZOOM CAMERA

Model Name	ATC-HZ5610C-LC ATC-HZ5610C-LX	ATC-HZ5610C-PC	ATC-HZ5610C-TA	ATC-HZ5612W-LP ATC-HZ5612W-TA	ATC-HZ5630W-LP ATC-HZ5630W-TA	ATC-HZ5636W-LP ATC-HZ5636W-TA	ATC-HZ5630T-LP ATC-HZ5630T-LPX	ATC-HZ5630Z-LP		
Video System	1/2.8" SONY EXMOR R Progressive Scan CMOS									
Image Sensor	1/2.8" SONY EXMOR R Progressive Scan CMOS									
Effective Pixels	2.13MP 1945(H) x 1097(V)									
Video Output Mode	Common LVDS/CVBS Parallel/CVBS TVI/AVI/CVBS LVDS/Parallel/CVBS(LP, LPX) TVI/AVI/CVBS(TA)									
Max. Video Resolution	LVDS: 1080p@60(50fps)	Parallel: 1080p@60(50fps)	TVI/AVI: 1080p@30(25fps)	LVDS / Parallel : 1080p@60(50fps) TVI/AVI : 1080p@30(25fps)			LVDS / Parallel: 1080p@60(50fps)			
Synchronization system	Internal / Externat Option									
Min.Illumination										
Min.Illumination										
(Condition : DSS OFF, AGC 45dB) S/N Rate	Day mode: 0.1Lux(F1.6) Night mode: 0.07Lux(F1.6/ IR-cut filter on)			Day mode: 0.1Lux(F1.5) Night mode: 0.05Lux(F1.5/ IR-cut filter on)			Day mode: 0.1Lux(F1.6) Night mode: 0.05Lux(F1.6/ IR-cut filter on)			
Lens	More than 55dB(AGC off, DSS off)									
Type	AF Optical zoom lens(DC Iris), IR Corrective									
Focal Length	f=5.1mm~51mm									
F-value	F1.6(W)~1.8(T)		F1.5(W)~1.9(T) F1.5(W)~4.3(T)			F1.5(W)~4.8(T)		F1.6(W)~5.0(T) F1.6(W)~4.3(T)		
Angle of View	Horizontal 54.0°(W)~4.9°(T) : LC/PC/TA, 49.5°(W)~4.5°(T) : LX Vertical 31.0°(W)~4.0°(T) : LC/PC/TA, 27.3°(W)~3.5°(T) : LX			Horizontal 51.1°(W)~5.0°(T), Horizontal 61.2°(W)~2.32°(T), Vertical 30.0°(W)~3.2°(T) Vertical 36.1°(W)~1.31°(T)			Horizontal 58.9°(W)~2.11°(T) : LP, Horizontal 53.9°(W)~1.93°(T) : LPX Vertical 45.3°(W)~1.61°(T) : LP Vertical 33.8°(W)~1.15°(T) : LPX		Horizontal 59.2°(W)~2.0°(T), Vertical 45.3°(W)~1.61°(T) : LPX	
Zoom Ratio	Optical 10x / Digital 12x			Optical 12x / Optical 30x / Digital 12xDigital 12x			Optical 36x / Digital 12x		Optical 30x / Digital 12xDigital 12x	
Focus Min.Working Distance	0.01m(Wide)/1m(Tele)~∞			0.1m(Wide)/0.5m(Tele)~∞			0.1m(Wide)/1.5m(Tele)~∞			
Focus Control	Auto/Interval/One Push/Manual/Presets									
Exposure										
AE Mode	Auto/Shutter Priority/Iris Priority/AGC Priority/Manual									
Brightness	0~14									
Manual Shutter	1/1, 1/2, 1/4(3), 1/8(6), 1/15(12), 1/30(25), 1/60(50)~1/10000									
Manual Iris	F1.6~F32, Close									
Sense-up	Off~32Ft tds									
ETC	Spot AE, Stow AE									
Functions										
D&N Mode										
White Balance	Auto/Day(Color)/Night(BW)/External-H or L									
Image Freeze	AUTO/One Push/Indoor/Outdoor/ATW/Manual									
Image Flip	Off/On									
Privacy Mask Zone	Off/Horizontal/Vertical/H+V(180° Flip)									
Digital Image Stabilization	8 Zones/14 mask color selectable									
Motion Detection	Yes (Disaldded on ATC-HZ5610C-LX, ATC-HZ5630T-LPX)									
D-WDR	4 Zones									
WDR	Off/Low/Middle/High									
BLC	Off/On, Adjustable(Level:0~29, Contrast:0~19)									
HLC	Off/On, Area Selectable									
AGC	Off/On, Area selectable									
Sharpness	Max.72dB									
3D-DNR	Adjustable(0~15)									
2D-DNR	Off/Auto/Low/Middle/High									
Defog	Off/Auto/Low/Middle/High									
Defog	Off/On/Auto									
Presets	256 Position Presets(Zoom, Focus), 16 Memory Presets, Custom Preset									
Language	English									
Communication										
Remote										
UART Protocol	RS232 TTL +5.0V(+3.3V Compatible)									
Baud rate	VISCA/Pelco-D/Pelco-P/Hitachi : Automatic Detection									
UTC	2400/4800/9600/19200/38400/57600/115200bps									
Power										
Supply Voltage	12VDC(9V to 15VDC)									
Power Consumption	LP: Max.6.8W / Non-working zoom&focus 4.2W TA: Max.5.0W / Non-working zoom&focus 2.9W									
Physical and Temperature	Max.4.4W / Non-working zoom&focus 2.7W	Max.5.7W / Non-working zoom&focus 3.5W	Max.4.4W / Non-working zoom&focus 2.7W				Max.6.4W / Non-working zoom& focus 3.8W			
Dimension(mm)										
Weight	41.6x45x61.6mm			50.3x58.4x92.0mm 55.0x64.0x123mm			50x58.8x90.5mm		50x58.8x96.1mm	
Operating Temperature	Approx.124g			Approx.260.5g Approx.380g			Approx.244g		Approx.240g	
Storage Temperature	-10°C~+50°C, Humidity(20~80%) -20°C~+60°C, Humidity(20~95%)									



Rolling Shutter Series Specifications

ZOOM CAMERA

Model Name	ATC-HZ5230Z-LCN	ATC-HZ5240T-LCN	ATC-HZ8240T-LTA	ATC-UZ5818M-H
Video System				
Image Sensor	1/2.8" Progressive Scan CMOS			1/1.8" Progressive Scan CMOS
Effective Pixels	2.13MP 1945(H) x 1097(V)			8.42MP 3864(H) x 2180(V)
Video Common Output Mode	LVDS / Parallel / CVBS		HD-SDI/EX-SDI(V1.0)/EX-SDI(V2.0)/EX-SDI(V3.0)/CVBS	HDMI(1.4a) / CVBS
AVI/TVI/LVDS	-		TVI/AVI/LVDS	-
Max. Video Resolution	LVDS / Parallel :1080p@60(50fps)		HD-SDI/LVDS:1080p@60(50fps), EX-	HDMI(1.4a) : 4K(3840x2160)@30(25fps)
Synchronization system	Internal / External Option		SDI/TVI/AVI:1080p@30(25fps)	Internal
Min.Illumination				
Min.Illumination (Condition : DSS OFF, AGC28dB)	Day mode: 0.05(Lux(F1.6)) Night mode: 0.03Lux(F1.6/ IR-cut filter on) Sens-Up off, AGC45dB		Day mode: 0.1Lux(F1.6) Night mode: 0.07Lux(F1.6/ IR-cut filter on) Sens-Up off, AGC45dB	
S/N Rate	More than 55dB(AGC off, Sens-Up off)		More than 52dB(AGC off, Sens-Up off)	
Lens				
Type	AF Optical zoom lens(DC Iris), IR Corrective			
Focal Length	f=5.0~150mm		f=4.25~170mm	
F-value	F1.6(W)~4.3(T)		F1.6(W)~4.95(T)	
Angle of View	'Horizontal 59.2°(W)~2.0°(T), Vertical 33.8°(W)~1.15°(T)		Horizontal 65.7°(W)~1.9°(T), Vertical 39.4°(W)~1.1°(T)	
Zoom ratio	Optical 30x / Digital 12x		Optical 40x / Digital 12x	
Focus Min.Working Distance	0.1m(Wide)/1.5m(Tele)~∞		0.01m(Wide)/1m(Tele)~∞	
Focus Control	Auto/Interval/One Push/Manual/Preset			
Exposure				
AE Mode	Auto/Shutter Priority/Iris Priority/AGC Priority/Manual			
Brightness	0~14			
Manual Shutter	1/1, 1/2, 1/4(3), 1/8(6), 1/15(12), 1/30(25), 1/60(50), 1/100(100), 1/200(50), 1/30000		1/1, 1/2, 1/4(3), 1/8(6), 1/15(12), 1/30(25), 1/60(50), 1/10000	
Manual Iris	F1.6~F32, Close		F1.6~F19, Close	
Sense-up	Off~32Fields			
ETC	Spot AE, Slow AE			
Functions				
D&N Mode	Auto/Day(Color)/Night(BW)/External-H or L			
White Balance	AUTO/ATW/Indoor/Outdoor/One Push/Manual			
Image Freeze	Off/On			
Image Flip	Off/Horizontal/Vertical/H+V(180° Flip)			
Privacy Mask Zone	8 Zones/14 mask color selectable			
Digital Image Stabilization	Yes			
Motion Detection	4 Zones			
D-WDR	Off/Low/Middle/High			
WDR	Off/On, Adjustable(Level:0~29, Contrast:0~5, Bright:0~19)			
BLC	Off/On, Area Selectable			
HLC	Off/On, Area Selectable			
AGC	Max.72dB Max.58dB			
Sharpness	Adjustable(0~15)		Max.72dB	
3D-DNR	Off/Auto/Low/Middle/High On/Off(1~5)			
2D-DNR	Off/Auto/Low/Middle/High Auto/Manual			
Defog	Off/On/Auto Off/Low/Middle/High			
Preset	256 Position Presets(Zoom, Focus), 16 Memory Presets, Custom Preset		Off/On/Auto	
Language				
Communication Remote	English, Japanese, Russian, Spanish, German, France, Portuguese, Chinese			English
UART Protocol				
Baud rate	RS232 TTL +5.0V(+3.3V Compatible)			
UTC	VISCA/Pelco-D/Pelco-P/Hitachi : Automatic Detection			
Power	2400/4800/9600/19200/38400/57600/115200bps			
Supply Voltage				
12VDC(9V to 15VDC)				
Power Consumption				
Physical and Temperature Dimension(mm)	Max.6.4W / Non-working zoom&focus 3.8W	Max.6.8W / Non-working zoom&focus 4.2W	Max.5.5W / Non-working zoom&focus 3.3W	Max.8.7W / Non-working zoom&focus 6.9W
Weight				
Operating Temperature	50X58.8X96.1mm		53.2x62x101.2mm	
Storage Temperature	Approx.240g		Approx.315g	
-10°C~+50°C, Humidity(20~80%)				
-20°C~+60°C, Humidity(20~95%)				



Pin Assignment(HZ7810C Series)

ZOOM CAMERA

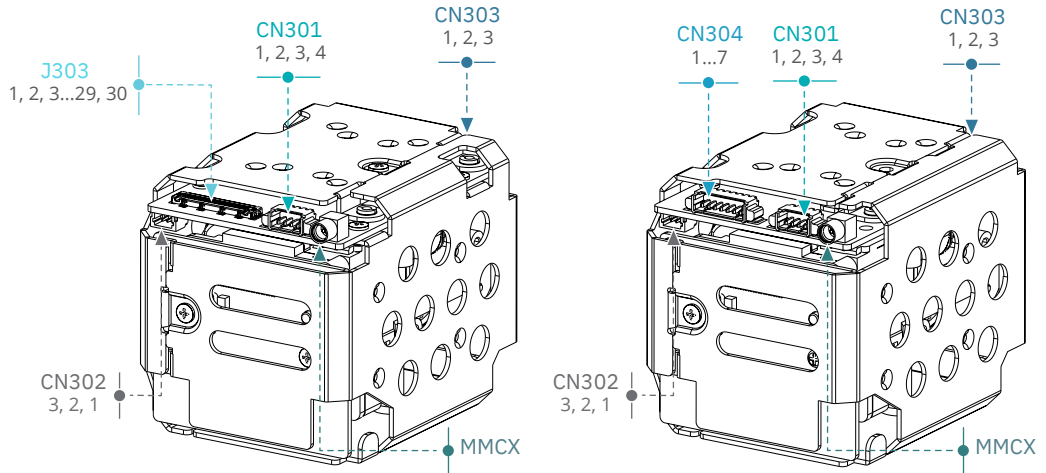
•Pin Type:

CN301/CN302/CN303 or
CN304/J303/ MMCX[EX-
SDI(V1.0)/HD-SDI]

•Available Pin Type

*HZ7810C-L, HZ7810C-LB1 :
CN301/CN302/CN303/J303/MMCX
*HZ7810C-S(S), HZ7810C-SB1(S) :
CN301/CN302/MMCX
*HZ7810C-L(L), HZ7810C-LB1(L) :
CN301/CN302/J303
*HZ7810C-T, HZ7810C-A :
CN301/CN302/CN303/CN304/MMCX

•Pin Location



CN301

Pin no.	CN301(CVBS) / Molex: 53261-0471
1	POWER IN : +12VDC
2	GND
3	VIDEO : CVBS Output
4	AD_KEY

CN302

Pin no.	CN302(RS-232 TTL) / JST: SM03B-SRSS-TB
1	GND
2	RxD : CMOS 3.3V Read
3	Data TxD : CMOS 3.3V Send Data

CN303

Pin no.	CN303(External D&N) / JST: SM03B-SRSS-TB
1	Ext_D&N : External D&N Input
2	GND
3	+3.3V Out(For Sensor)

MMCX[EX-SDI(V1.0)/HD-SDI]

Jack	SDI Output / MMCX Jack Connecto
------	---------------------------------

J303

Pin no.	J303(Micro Co-Axial) / KEL Co.USL00-30L-C
1	TX_OUT3+
2	TX_OUT3-
3	TX_CLKOUT+
4	TX_CLKOUT-
5	TX_OUT2+
6	TX_OUT2-
7	TX_OUT1+
8	TX_OUT1-
9	TX_OUT0+
10	TX_OUT0-
11	GND
12	TXD : CMOS 5.0V Send Data(Compatible 3.3V)
13	RXD : CMOS 5.0V Read Data(Compatible 3.3V)
14	+12VDC
15	+12VDC
16	+12VDC
17	+12VDC
18	+12VDC
19	GND
20	GND
21	TX_OUT7+ : Single out mode (open)
22	TX_OUT7- : Single out mode(open)
23	TX_OUT6+ : Single out mode(open)
24	TX_OUT6- : Single out mode(open)
25	CVBS_OUT
26	RESET_IN : Reset - Low(GND), Normal(1.8V)
27	TX_OUT5+
28	TX_OUT5-
29	TX_OUT4+
30	TX_OUT4-

CN304

Pin no.	CN304(1.25mm Header) / Molex: 53261-0771
1	DC_IN : +12VDC
2	GND(+12VDC)
3	TxD : CMOS 5.0V Send Data(Compatible 3.3V)
4	RxD : CMOS 5.0V Read Data(Compatible 3.3V)
5	ATC-HZ7810C-T : TVI Output
6	ATC-HZ7810C-A : AVI Output
	GND
7	Default CVBS Output (Optional AD KEY)



Pin assignment(HZ7830W/36W-LTA)

ZOOM CAMERA

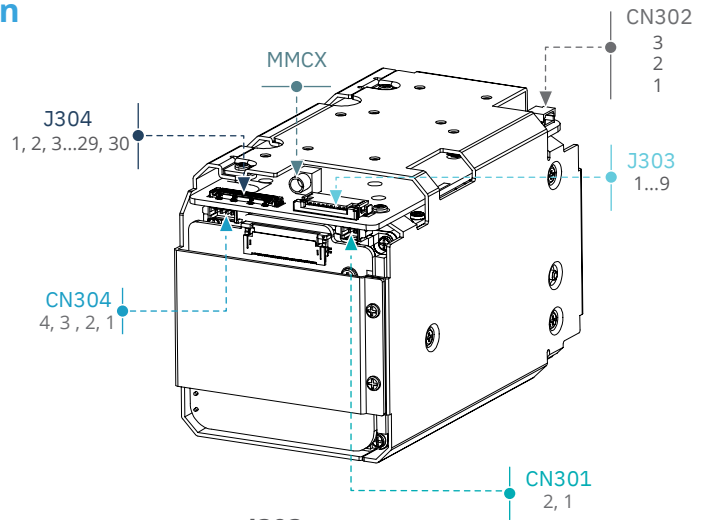
•Pin Type:

CN301/CN302/CN304/J303/J304/
MMCX[EX-SDI(V1.0)/HD-SDI]

•Available Pin Type

*ATC-HZ7830W-LTA, ATC-HZ7836W-LTA :
CN301/CN302/CN304/J303/J304/MMCX

•Pin Location



CN301

Pin no.	CN301(RS485) / Molex 53261-0271
1	TRX+
2	TRX-

CN302

Pin no.	CN302(External D&N) / JST:SM03B-SRSS-TB
1	Ext_D&N: External D&N Input
2	GND
3	+3.3V Out(For Sensor)

CN304

Pin no.	CN304(HD-Analog) / Molex 53261-0471
1	DC_IN : +12VDC
2	GND (+12VDC)
3	TVI/AVI Output
4	GND

MMCX[EX-SDI(V1.0)/HD-SDI]

Jack	SDI Output / MMCX Jack Connecto
------	---------------------------------

J304

Pin no.	J304(Micro Co-Axial) / KEL Co.USL00-30L-C
1	TX_OUT3+
2	TX_OUT3-
3	TX_CLKOUT+
4	TX_CLKOUT-
5	TX_OUT2+
6	TX_OUT2-
7	TX_OUT1+
8	TX_OUT1-
9	TX_OUT0+
10	TX_OUT0-
11	GND
12	TXD: CMOS 5.0V Send Data(Compatible 3.3V)
13	RXD: CMOS 5.0V Read Data(Compatible 3.3V)
14	+12VDC
15	+12VDC
16	+12VDC
17	+12VDC
18	+12VDC
19	GND
20	GND
21	TX_OUT7+: Single out mode (open)
22	TX_OUT7-: Single out mode(open)
23	TX_OUT6+: Single out mode(open)
24	TX_OUT6-:Single out mode(open)
25	CVBS_OUT
26	RESET_IN: Reset - Low(GND), Normal(1.8V)
27	TX_OUT5+
28	TX_OUT5-
29	TX_OUT4+
30	TX_OUT4-

J303

Pin no.	J303 / Molex : 52207-0933
1	Default GND (Optional RS485_EN or AD key)
2	TVI/AVI Output
3	GND
4	CVBS Output
5	GND
6	DC_IN: +12VDC
7	GND
8	TXD : CMOS 5.0V Send Data(Compatible 3.3V)
9	RXD : CMOS 5.0V Read Data(Compatible 3.3V)



Pin assignment(HZ7830T/30Z-LT/LA)

ZOOM CAMERA

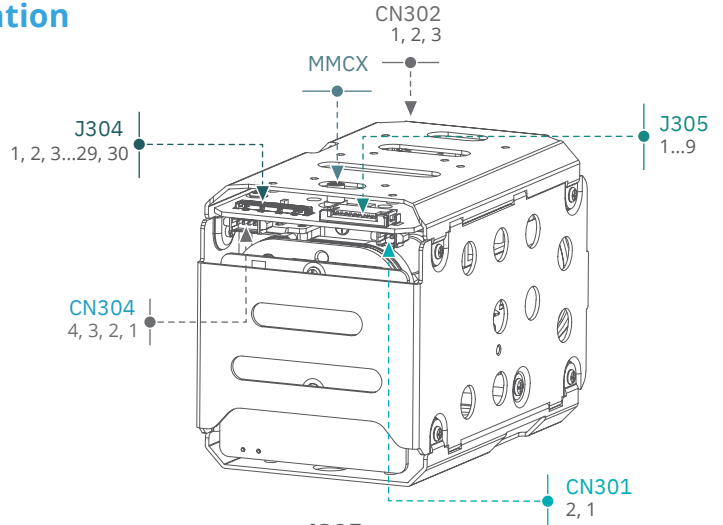
•Pin Type:

CN301/CN302/CN304/J304/J305/
MMCX[EX-SDI(V1.0)/HD-SDI]

•Available Pin Type

*ATC-HZ7830T-LT, ATC-HZ7830T-LA,
ATC-HZ7830Z-LT, ATC-HZ7830Z-LA:
CN301/CN302/CN304/J304/J305/MMCX

•Pin Location



CN301

Pin no.	CN301(RS485) / Molex 53261-0271
1	TRX+
2	TRX-

CN302

Pin no.	CN302(External D&N) / JST:SM03B-SRSS-TB
1	Ext_D&N : External D&N Input
2	GND
3	+3.3V Out(For Sensor)

CN304

Pin no.	CN304(HD-Analog) / Molex 53261-0471
1	DC_IN : +12VDC
2	GND (+12VDC)
3	LT Series : TVI Output LA Series : AVI Output
4	LT Series : GND (TVI) LA Series : GND (AVI)

MMCX[EX-SDI(V1.0)/HD-SDI]

Jack	SDI Output / MMCX Jack Connecto
------	---------------------------------

J304

Pin no.	J304(Micro Co-Axial) / KEL Co.USL00-30L-C
1	TX_OUT3+
2	TX_OUT3-
3	TX_CLKOUT+
4	TX_CLKOUT-
5	TX_OUT2+
6	TX_OUT2-
7	TX_OUT1+
8	TX_OUT1-
9	TX_OUT0+
10	TX_OUT0-
11	GND
12	TXD : CMOS 5.0V Send Data(Compatible 3.3V)
13	RXD : CMOS 5.0V Read Data(Compatible 3.3V)
14	+12VDC
15	+12VDC
16	+12VDC
17	+12VDC
18	+12VDC
19	GND
20	GND
21	TX_OUT7+ : Single out mode (open)
22	TX_OUT7- : Single out mode(open)
23	TX_OUT6+ : Single out mode(open)
24	TX_OUT6- : Single out mode(open)
25	CVBS_OUT
26	RESET_IN : Reset - Low(GND), Normal(1.8V)
27	TX_OUT5+
28	TX_OUT5-
29	TX_OUT4+
30	TX_OUT4-

J305

Pin no.	J305 / Molex : 52207-0933
1	Default GND (Optional RS485_EN or AD key)
2	LT Series : TVI Output LA Series : AVI Output
3	GND
4	CVBS Output
5	GND
6	DC_IN: +12VDC
7	GND
8	TXD : CMOS 5.0V Send Data(Compatible 3.3V)
9	RXD : CMOS 5.0V Read Data(Compatible 3.3V)



Pin assignment(HZ5610C-LC/LX/PC)

ZOOM CAMERA

•Pin Type:

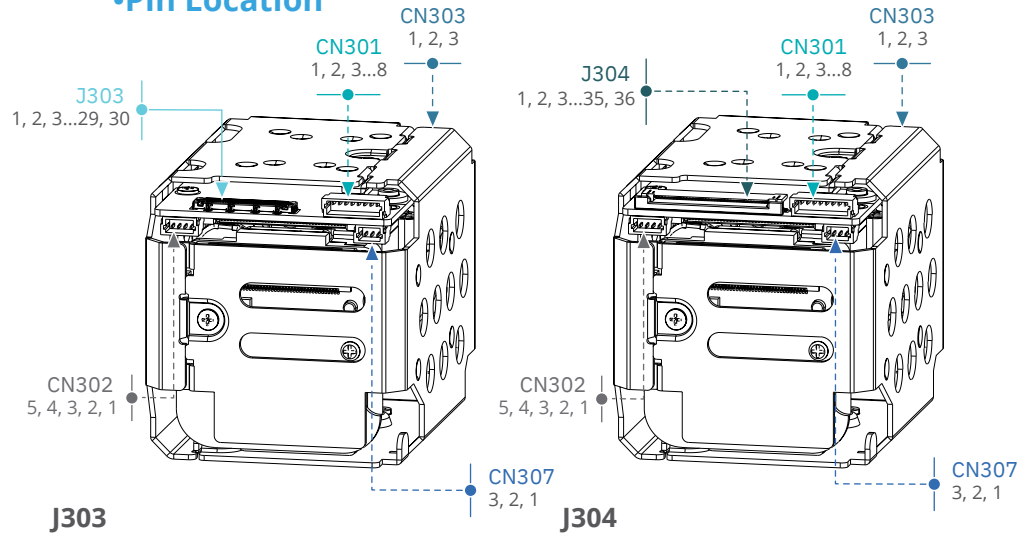
CN301/CN302/CN303/CN307
/ J303/J304

•Available Pin Type

*ATC-HZ5610C-LC, ATC-HZ5610C-LX:
CN301/CN302/CN303/CN307/J303

*ATC-HZ5610C-PC :
CN301/CN302/CN303/CN307/J304

•Pin Location



CN301

Pin no.	CN301(External I/O) / JST: SM08B-SRSS-TB
1	Vsync_OUT
2	Hsync_OUT
3	VCLK_OUT
4	GND
5	Vsync_IN
6	Hsync_IN
7	VCLK_IN
8	GND

CN302

Pin no.	CN302 / JST: SM04B-SRSS-TB
1	POWER IN: +12VDC
2	GND
3	VIDEO: CVBS Output
4	AD_KEY
5	GND

CN307

Pin no.	CN307(RS-232 TTL) / JST: SM03B-SRSS-TB
1	GND
2	RxD: CMOS 3.3V Read Data
3	TxD: CMOS 3.3V Send Data

CN303

Pin no.	CN303(External D&N) / JST: SM03B-SRSS-TB
1	Ext_D&N: External D&N Input
2	GND
3	+3.3V Out(For sensor)

J303

Pin no.	J303(Micro Co-Axial) / KEL Co.USL00-30L-C
1	TX_OUT3+
2	TX_OUT3-
3	TX_CLKOUT+
4	TX_CLKOUT-
5	TX_OUT2+
6	TX_OUT2-
7	TX_OUT1+
8	TX_OUT1-
9	TX_OUT0+
10	TX_OUT0-
11	GND
12	TXD: CMOS 5.0V Send Data(Compatible 3.3V)
13	RXD: CMOS 5.0V Read Data(Compatible 3.3V)
14	+12VDC
15	+12VDC
16	+12VDC
17	+12VDC
18	+12VDC
19	GND
20	GND
21	TX_OUT7+: Single out mode (open)
22	TX_OUT7-: Single out mode(open)
23	TX_OUT6+: Single out mode(open)
24	TX_OUT6-:Single out mode(open)
25	CVBS Output
26	RESET_IN: Reset - Low(GND), Normal(1.8V)
27	TX_OUT5+
28	TX_OUT5-
29	TX_OUT4+
30	TX_OUT4-

J304

Pin no.	J304(FFC Connector) / Hirose : FH12-36S-05SH(55)
1	GND
2	Y_OUT[0]
3	Y_OUT[1]
4	Y_OUT[2]
5	Y_OUT[3]
6	GND
7	Y_OUT[4]
8	Y_OUT[5]
9	Y_OUT[6]
10	Y_OUT[7]
11	GND
12	C_OUT[0]
13	C_OUT[1]
14	C_OUT[2]
15	C_OUT[3]
16	GND
17	C_OUT[4]
18	C_OUT[5]
19	C_OUT[6]
20	C_OUT[7]
21	GND
22	VSYNC
23	HSYNC
24	GND
25	VCLK_OUT
26	GND
27	GND
28	GND
29	GND
30	GND
31	POWER IN: +12VDC
32	POWER IN: +12VDC
33	POWER IN: +12VDC
34	GND
35	TXD: CMOS 5.0V Send Data(Compatible 3.3V)
36	RXD: CMOS 5.0V Read Data(Compatible 3.3V)



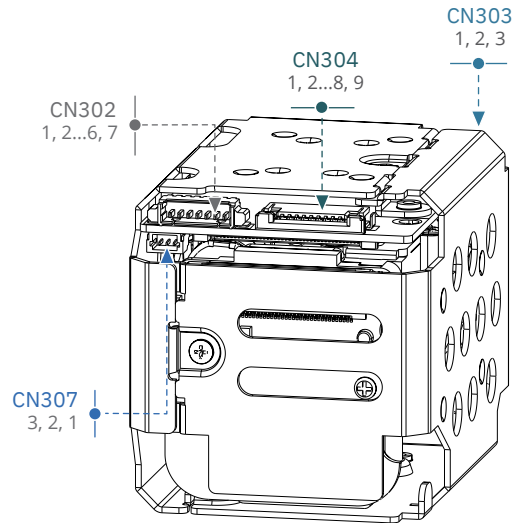
Pin assignment(HZ5610C-TA)

ZOOM CAMERA

•Pin Type:

CN302/CN303/CN304/CN307/

•Pin Location



•Available Pin Type

*ATC-HZ5610C-TA :

CN302/CN303/CN304/CN307

CN302

Pin no.	CN302 / 53261-0771
1	+12V IN
2	GND
3	TXD: CMOS 5.0V Send Data(Compatible 3.3V)
4	RXD: CMOS 5.0V Read Data(Compatible 3.3V)
5	TVI/AVI OUT
6	GND
7	CVBS(opt.ADKEY)

CN304

Pin no.	CN304 / 52207-0933
1	GND (opt.ADKEY)
2	TVI/AVI OUT
3	GND
4	CVBS
5	GND
6	+12V IN
7	GND
8	TXD
9	RXD

CN307

Pin no.	CN307 / SM03B-SRSS-TB
1	GND
2	UART_RX
3	UART_TX

CN303

Pin no.	CN303 /SM03B-SRSS-TB
1	EXT_DN
2	GND
3	+3.3V Out(For Sensor)



Pin assignment(HZ5612W/30W/36W-LP)

ZOOM CAMERA

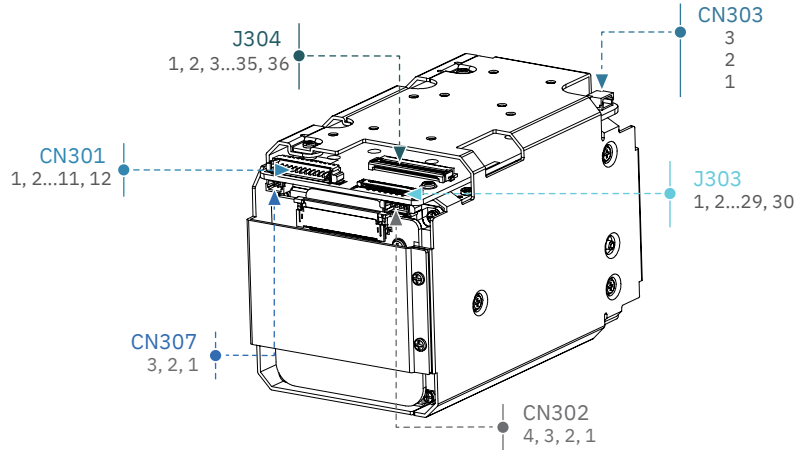
•Pin Type:

CN301/CN303/CN307/J303/J304/

•Pin Location

•Available Pin Type

*ATC-HZ5612W-LP, ATC-HZ5630W-LP, ATC-HZ5636W-LP: CN301/CN303/CN307/J303/J304



CN301

Pin no.	CN301(External I/O) / Molex : 53261-1271
1	Vsync_OUT
2	Hsync_OUT
3	VCLK_OUT
4	GND
5	Vsync_IN
6	Hsync_IN
7	VCLK_IN
8	GND
9	Trig_Common
10	Trigger_IN
11	Strobe_Common
12	Strobe_IN

CN302

Pin no.	CN302(CVBS) / Molex: 53261-0471
1	POWER IN: +12VDC
2	GND
3	VIDEO: CVBS Output
4	AD_KEY

CN303

Pin no.	CN303(External D&N) / JST: SM03B-SRSS-TB
1	Ext_D&N: External D&N Input
2	GND
3	+3.3V Out(For sensor)

CN307

Pin no.	CN303(External D&N) / JST: SM03B-SRSS-TB
1	GND
2	RxD: CMOS 3.3V Read Data
3	TxD: CMOS 3.3V Send Data

J303

Pin no.	J303(Micro Co-Axial) / KEL Co.USL00-30L-C
1	TX_OUT3+
2	TX_OUT3-
3	TX_CLKOUT+
4	TX_CLKOUT-
5	TX_OUT2+
6	TX_OUT2-
7	TX_OUT1+
8	TX_OUT1-
9	TX_OUT0+
10	TX_OUT0-
11	GND
12	TXD: CMOS 5.0V Send Data(Compatible 3.3V)
13	RXD: CMOS 5.0V Read Data(Compatible 3.3V)
14	+12VDC
15	+12VDC
16	+12VDC
17	+12VDC
18	+12VDC
19	GND
20	GND
21	TX_OUT7+: Single out mode (open)
22	TX_OUT7-: Single out mode(open)
23	TX_OUT6+: Single out mode(open)
24	TX_OUT6-:Single out mode(open)
25	CVBS Output
26	RESET_IN: Reset - Low(GND), Normal(1.8V)
27	TX_OUT5+
28	TX_OUT5-
29	TX_OUT4+
30	TX_OUT4-

J304

Pin no.	J304(FFC Connector) / Hirose : FH12-36S-05SH(55)
1	GND
2	Y_OUT[0]
3	Y_OUT[1]
4	Y_OUT[2]
5	Y_OUT[3]
6	GND
7	Y_OUT[4]
8	Y_OUT[5]
9	Y_OUT[6]
10	Y_OUT[7]
11	GND
12	C_OUT[0]
13	C_OUT[1]
14	C_OUT[2]
15	C_OUT[3]
16	GND
17	C_OUT[4]
18	C_OUT[5]
19	C_OUT[6]
20	C_OUT[7]
21	GND
22	VSYNC
23	HSYNC
24	GND
25	VCLK_OUT
26	GND
27	GND
28	GND
29	GND
30	GND
31	POWER IN: +12VDC
32	POWER IN: +12VDC
33	POWER IN: +12VDC
34	GND
35	TXD: CMOS 5.0V Send Data(Compatible 3.3V)
36	RXD: CMOS 5.0V Read Data(Compatible 3.3V)



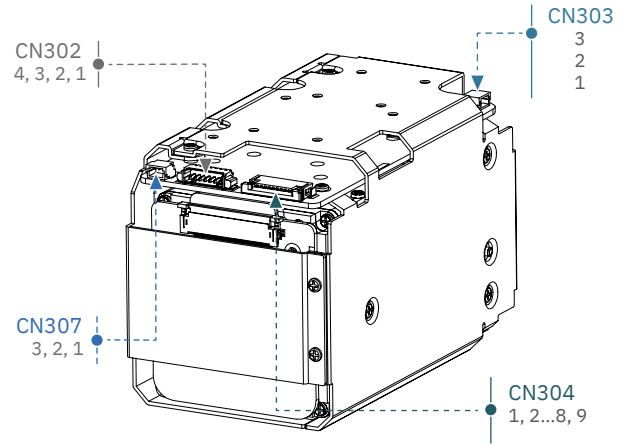
Pin assignment(HZ5612W/30W/36W-TA)

ZOOM CAMERA

•Pin Type:

CN302/CN303/CN304/CN307

•Pin Location



•Available Pin Type

*ATC-HZ5612W-TA, ATC-HZ5630W-TA, ATC-HZ5636W-TA : CN302/CN303/ CN304/CN307

CN302

Pin no.	CN302 / Molex : 53261-0771
1	+12V_IN
2	GND
3	TXD: CMOS 5.0V Send Data(Compatible 3.3V)
4	RXD: CMOS 5.0V Read Data(Compatible 3.3V)
5	TVI/AVI OUT
6	GND
7	CVBS(opt.ADKEY)

CN304

Pin no.	CN304 / Molex : 52207-0933
1	GND(opt.ADKEY)
2	TVI/AVI OUT
3	GND
4	CVBS
5	GND
6	+12V
7	GND
8	TXD: CMOS 5.0V Send Data(Compatible 3.3V)
9	RXD: CMOS 5.0V Read Data(Compatible 3.3V)

CN307

Pin no.	CN307(External D&N) / JST: SM03B-SRSS-TB
1	GND
2	UART_RX
3	UART_TX

CN303

Pin no.	CN303 (External D&N) / JST: SM03B-SRSS-TB
1	Ext_D&N: External D&N Input
2	GND
3	+3.3V Out(For sensor)



Pin assignment(HZ5630T-LP/LPX)

ZOOM CAMERA

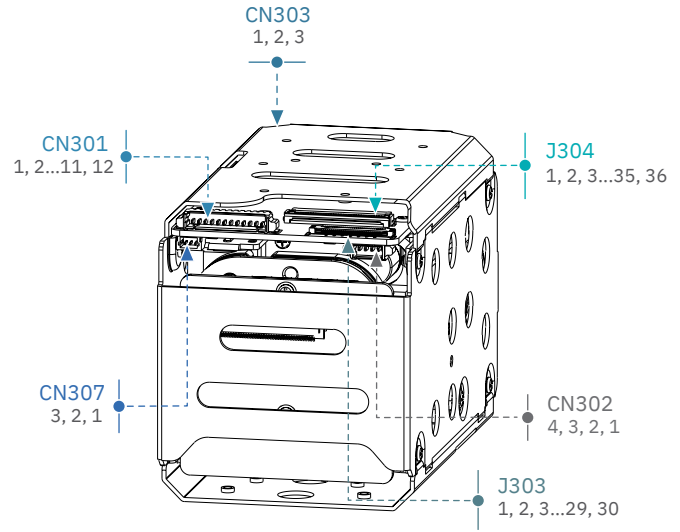
•Pin Type:

CN301/CN302/CN303/CN307/J303/J304

•Available Pin Type

*ATC-HZ5630T-LP , ATC-HZ5630T-LPX :
CN301/CN302/CN303/CN307/J303/J304

•Pin Location



CN301

Pin no.	CN301(External I/O) / Molex : 53261-1271
1	Vsync_OUT
2	Hsync_OUT
3	VCLK_OUT
4	GND
5	Vsync_IN
6	Hsync_IN
7	VCLK_IN
8	GND
9	Trig_Common
10	Trigger_IN
11	Strobe_Common
12	Strobe_IN

CN302

Pin no.	CN302(CVBS) / Molex: 53261-0471
1	POWER IN: +12VDC
2	GND
3	VIDEO: CVBS Output
4	AD_KEY

CN303

Pin no.	CN303(External D&N) / JST: SM03B-SRSS-TB
1	Ext_D&N: External D&N Input
2	GND
3	+3.3V Out(For sensor)

CN307

Pin no.	CN307(RS-232 TTL) / JST: SM03B-SRSS-TB
1	GND
2	RxD: CMOS 3.3V Read Data
3	TxD: CMOS 3.3V Send Data

J303

Pin no.	J303(Micro Co-Axial) / KEL Co.USL00-30L-C
1	TX_OUT3+
2	TX_OUT3-
3	TX_CLKOUT+
4	TX_CLKOUT-
5	TX_OUT2+
6	TX_OUT2-
7	TX_OUT1+
8	TX_OUT1-
9	TX_OUT0+
10	TX_OUT0-
11	GND
12	TXD: CMOS 5.0V Send Data(Compatible 3.3V)
13	RXD: CMOS 5.0V Read Data(Compatible 3.3V)
14	+12VDC
15	+12VDC
16	+12VDC
17	+12VDC
18	+12VDC
19	GND
20	GND
21	TX_OUT7+: Single out mode (open)
22	TX_OUT7-: Single out mode(open)
23	TX_OUT6+: Single out mode(open)
24	TX_OUT6-:Single out mode(open)
25	CVBS Output
26	RESET_IN: Reset - Low(GND), Normal(1.8V)
27	TX_OUT5+
28	TX_OUT5-
29	TX_OUT4+
30	TX_OUT4-

J304

Pin no.	J304(FFC Connector) / Hirose : FH12-36S-05SH(55)
1	GND
2	Y_OUT[0]
3	Y_OUT[1]
4	Y_OUT[2]
5	Y_OUT[3]
6	GND
7	Y_OUT[4]
8	Y_OUT[5]
9	Y_OUT[6]
10	Y_OUT[7]
11	GND
12	C_OUT[0]
13	C_OUT[1]
14	C_OUT[2]
15	C_OUT[3]
16	GND
17	C_OUT[4]
18	C_OUT[5]
19	C_OUT[6]
20	C_OUT[7]
21	GND
22	VSYNC
23	HSYNC
24	GND
25	VCLK_OUT
26	GND
27	GND
28	GND
29	GND
30	GND
31	POWER IN: +12VDC
32	POWER IN: +12VDC
33	POWER IN: +12VDC
34	GND
35	TXD: CMOS 5.0V Send Data(Compatible 3.3V)
36	RXD: CMOS 5.0V Read Data(Compatible 3.3V)



Pin assignment(HZ5630/5230Z-L_{CN}/5240T-L_{CN})

ZOOM CAMERA

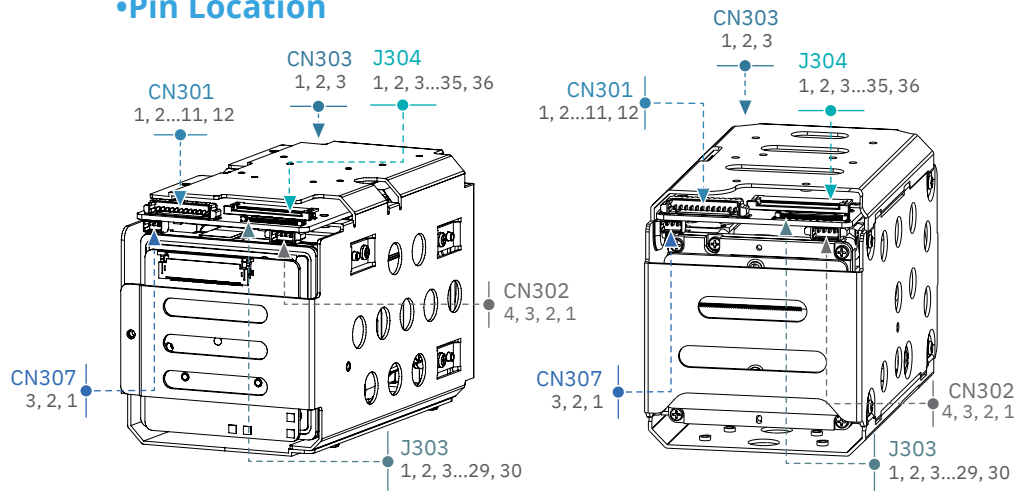
•Pin Type:

CN301/CN302/CN303/CN307/J303/J304

•Available Pin Type

*ATC-HZ5630Z-LP, ATC-HZ5230Z-LCN,
ATC-HZ5240T-LCN :
CN301/CN302/CN303/CN307/J303/J304

•Pin Location



CN301

Pin no.	CN301(External I/O) / Molex : 53261-1271
1	Vsync_OUT
2	Hsync_OUT
3	VCLK_OUT
4	GND
5	Vsync_IN
6	Hsync_IN
7	VCLK_IN
8	GND
9	Trig_Common
10	Trigger_IN
11	Strobe_Common
12	Strobe_IN

CN302

Pin no.	CN302(CVBS) / Molex: 53261-0471
1	POWER IN: +12VDC
2	GND
3	VIDEO: CVBS Output
4	AD_KEY

CN303

Pin no.	CN303(External D&N) / JST: SM03B-SRSS-TB
1	Ext_D&N: External D&N Input
2	GND
3	+3.3V Out(For sensor)

CN307

Pin no.	CN307(RS-232 TTL) / JST: SM03B-SRSS-TB
1	GND
2	RxD: CMOS 3.3V Read Data
3	TxD: CMOS 3.3V Send Data

J303

Pin no.	J303(Micro Co-Axial) / KEL Co.USL00-30L-C
1	TX_OUT3+
2	TX_OUT3-
3	TX_CLKOUT+
4	TX_CLKOUT-
5	TX_OUT2+
6	TX_OUT2-
7	TX_OUT1+
8	TX_OUT1-
9	TX_OUT0+
10	TX_OUT0-
11	GND
12	TXD: CMOS 5.0V Send Data(Compatible 3.3V)
13	RXD: CMOS 5.0V Read Data(Compatible 3.3V)
14	+12VDC
15	+12VDC
16	+12VDC
17	+12VDC
18	+12VDC
19	GND
20	GND
21	TX_OUT7+: Single out mode (open)
22	TX_OUT7-: Single out mode(open)
23	TX_OUT6+: Single out mode(open)
24	TX_OUT6-:Single out mode(open)
25	CVBS Output
26	RESET_IN: Reset - Low(GND), Normal(1.8V)
27	TX_OUT5+
28	TX_OUT5-
29	TX_OUT4+
30	TX_OUT4-

J304

Pin no.	J304(FFC Connector) / Hirose : FH12-36S-05SH(55)
1	GND
2	Y_OUT[0]
3	Y_OUT[1]
4	Y_OUT[2]
5	Y_OUT[3]
6	GND
7	Y_OUT[4]
8	Y_OUT[5]
9	Y_OUT[6]
10	Y_OUT[7]
11	GND
12	C_OUT[0]
13	C_OUT[1]
14	C_OUT[2]
15	C_OUT[3]
16	GND
17	C_OUT[4]
18	C_OUT[5]
19	C_OUT[6]
20	C_OUT[7]
21	GND
22	VSYNC
23	HSYNC
24	GND
25	VCLK_OUT
26	GND
27	GND
28	GND
29	GND
30	GND
31	POWER IN: +12VDC
32	POWER IN: +12VDC
33	POWER IN: +12VDC
34	GND
35	TXD: CMOS 5.0V Send Data(Compatible 3.3V)
36	RXD: CMOS 5.0V Read Data(Compatible 3.3V)



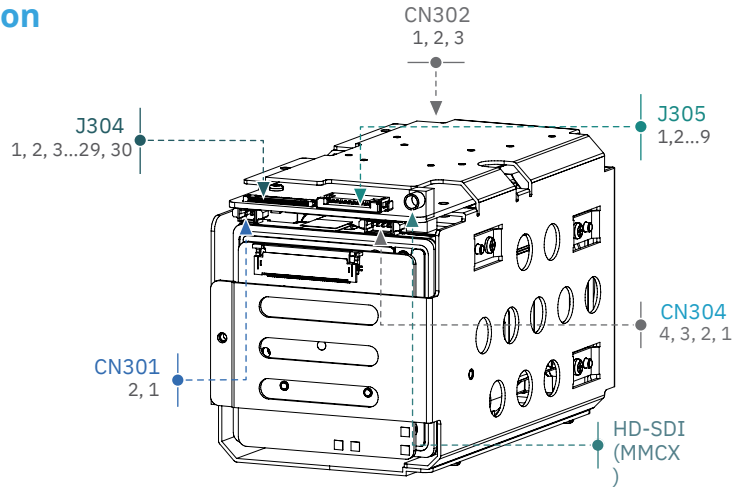
Pin assignment(HZ8240T-LTA)

ZOOM CAMERA

•Pin Type:

CN302/CN304/J304/J305
5/ MMCX[HD-SDI]

•Pin Location



•Available Pin Type

*ATC-HZ8240T-LTA:
CN301/CN302/CN304/J304/J305/MMCX

CN302

Pin no.	CN302(External D&N) / JST:SM03B-SRSS-TB
1	Ext_D&N : External D&N Input
2	GND
3	+3.3V Out(For Sensor)

CN304

Pin no.	CN304(TVI/AVI) / Molex 53261-0471
1	POWER IN:
2	+12VDC
3	GND
4	TVI/AVI Output
	GND

MMCX[EX-SDI/HD-SDI]

Jack	SDI Output connector / MMCX Jack Connector
------	--

J304

Pin no.	J304(Micro Co-Axial) / KEL Co.USL00-30L-C
1	TX_OUT3+
2	TX_OUT3-
3	TX_CLKOUT+
4	TX_CLKOUT-
5	TX_OUT2+
6	TX_OUT2-
7	TX_OUT1+
8	TX_OUT1-
9	TX_OUT0+
10	TX_OUT0-
11	GND
12	TXD : CMOS 5.0V Send Data(Compatible 3.3V)
13	RXD : CMOS 5.0V Read Data(Compatible 3.3V)
14	+12VDC
15	+12VDC
16	+12VDC
17	+12VDC
18	+12VDC
19	GND
20	GND
21	TX_OUT7+ : Single out mode (open)
22	TX_OUT7- : Single out mode(open)
23	TX_OUT6+ : Single out mode(open)
24	TX_OUT6- : Single out mode(open)
25	CVBS_OUT
26	RESET_IN : Reset - Low(GND), Normal(1.8V)
27	TX_OUT5+ : Single out mode (open)
28	TX_OUT5- : Single out mode (open)
29	TX_OUT4+ : Single out mode (open)
30	TX_OUT4- : Single out mode (open)

J305

Pin no.	J305 / Molex : 52207-0933
1	Default GND (Optional RS485_EN or AD key)
2	TVI/AVI Output
3	GND
4	CVBS Output
5	GND
6	+12VDC
7	GND
8	TXD : CMOS 5.0V Send Data(Compatible 3.3V)
9	RXD : CMOS 5.0V Read Data(Compatible 3.3V)



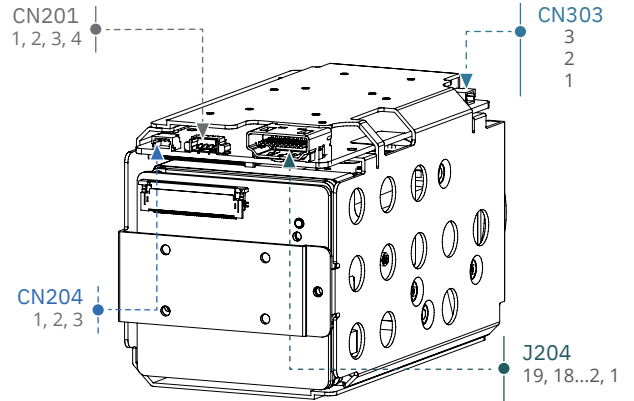
Pin assignment(UZ5818M-H)

ZOOM CAMERA

•Pin Type:

CN201/CN202/ CN204/J204

•Pin Location



•Available Pin Type

*ATC-UZ5818M-H :

CN201/CN202/ CN204/J204

CN201

Pin no.	CN201(CVBS) / Molex : 53261-0471
1	POWER IN: +12VDC
2	GND
3	VIDEO: CVBS Output
4	AD_KEY

CN202

Pin no.	CN202(External D&N)/ JST: SM03B-SRSS-TB
1	Ext_D&N: External D&N Input
2	GND
3	+3.3V Out(For sensor)

CN204

Pin no.	CN204(RS-232 TTL) / JST: SM03B-SRSS-TB
1	GND
2	RxD: CMOS 3.3V Read Data
3	TxD: CMOS 3.3V Send Data

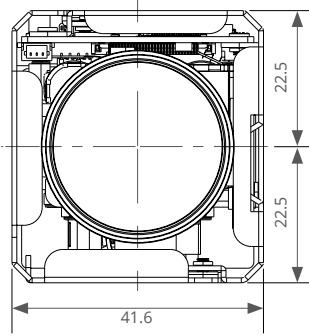
J204

Pin no.	J204(HDMI)/ 51U019S-30S1N-AR
1	TMDS2+
2	GND
3	TMDS2-
4	TMDS1+
5	GND
6	TMDS1-
7	TMDS0+
8	GND
9	TMDS0-
10	TMDSC+
11	GND
12	TMDSC-
13	CEC
14	NC
15	DDC_SCL
16	DDC_SDA
17	GND
18	+5VDC
19	HPD

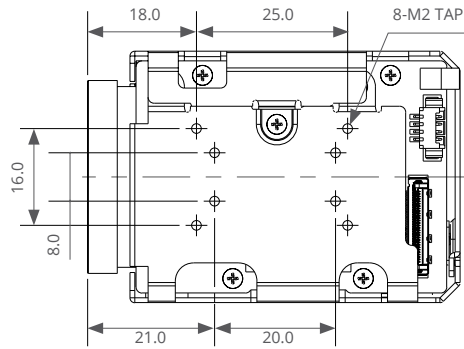


ATC-HZ7810C

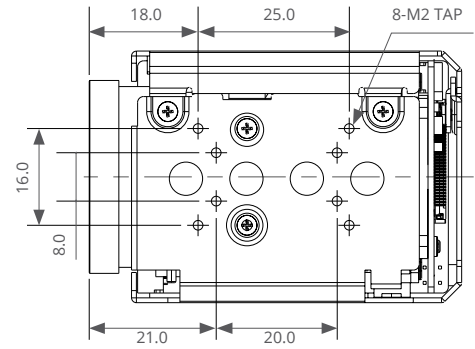
Front



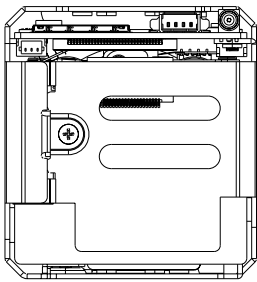
Top



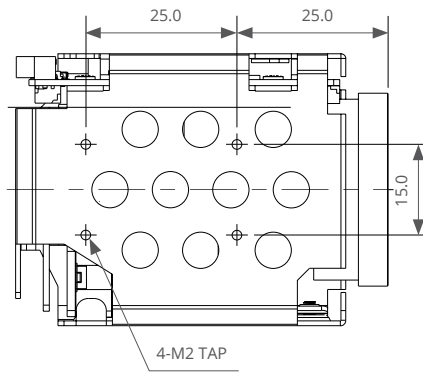
Bottom



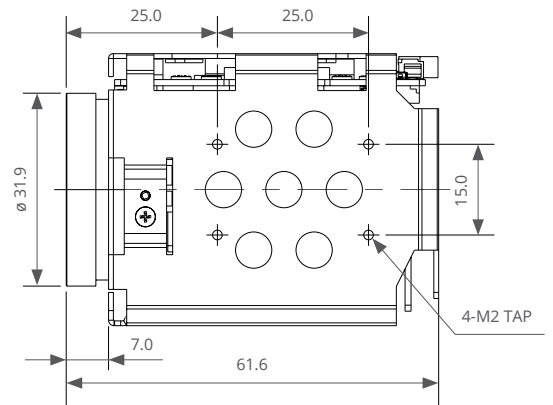
Rear



Left

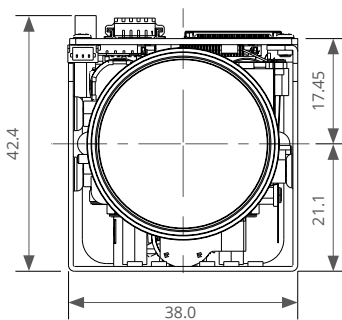


Right

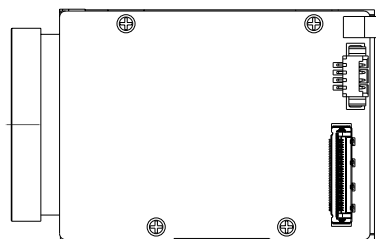


ATC-HZ7810C

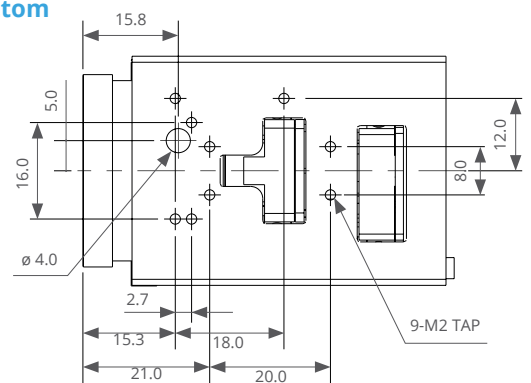
Front



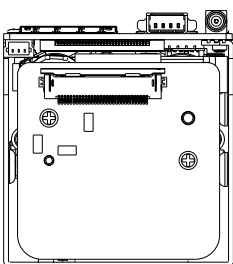
Top



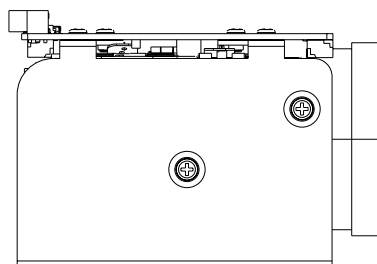
Bottom



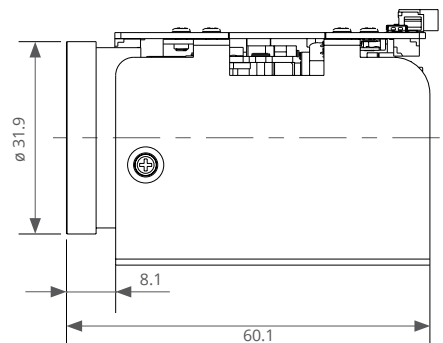
Rear



Left

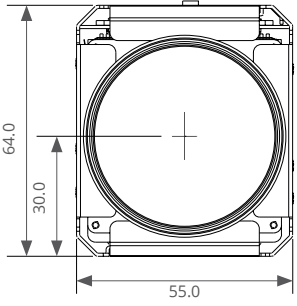


Right

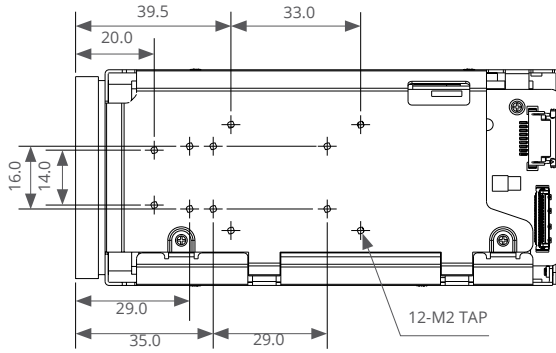


ATC-HZ7830W/36W

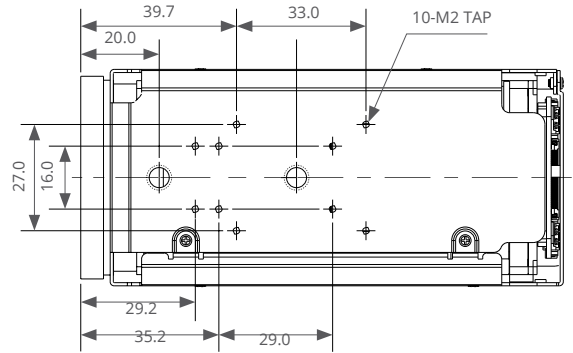
Front



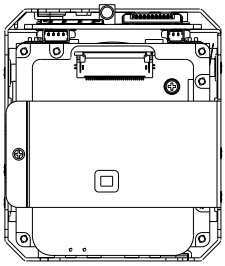
Top



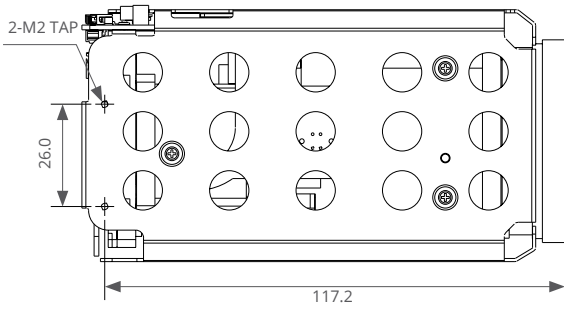
Bottom



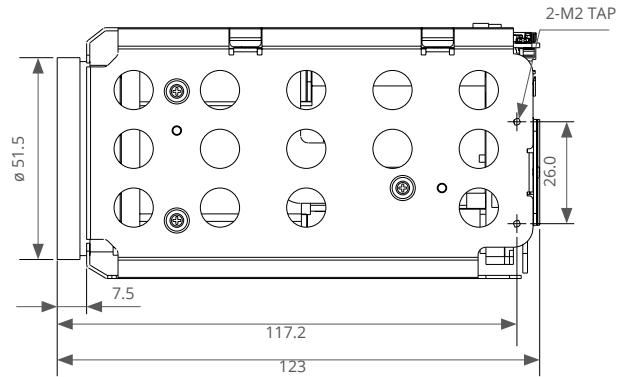
Rear



Left

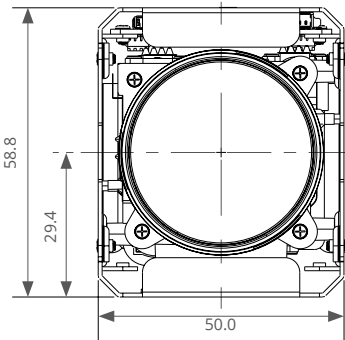


Right

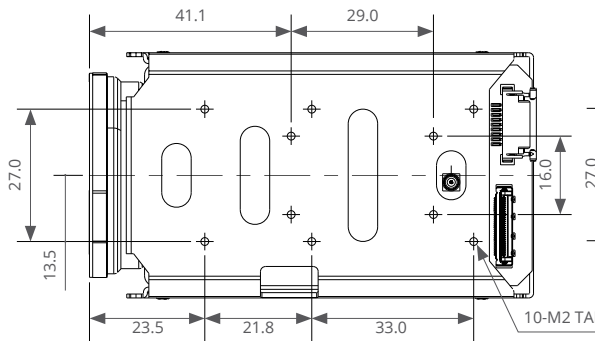


ATC-HZ7830T

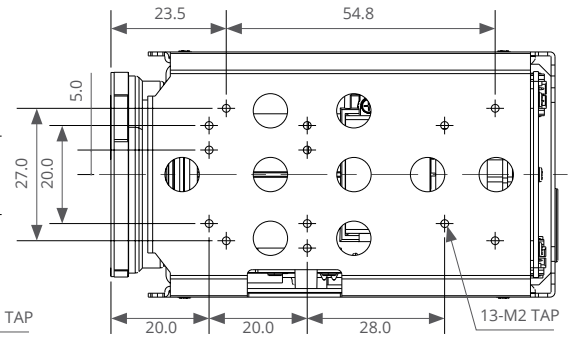
Front



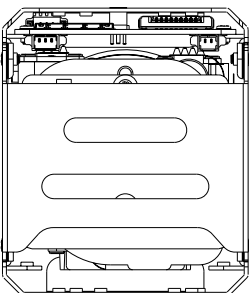
Top



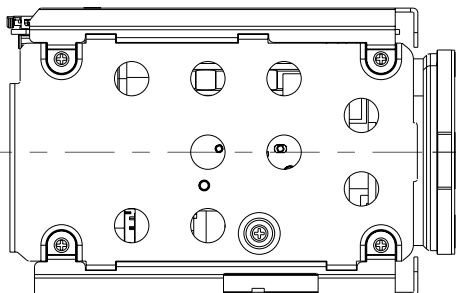
Bottom



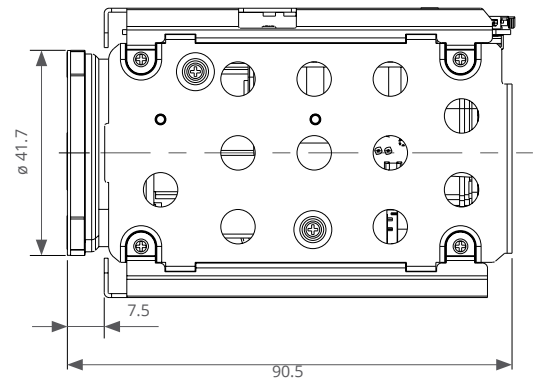
Rear



Left

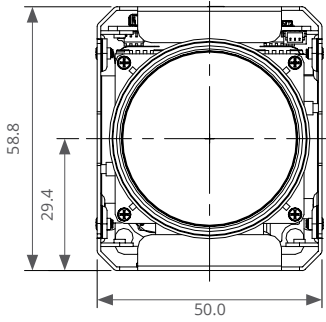


Right

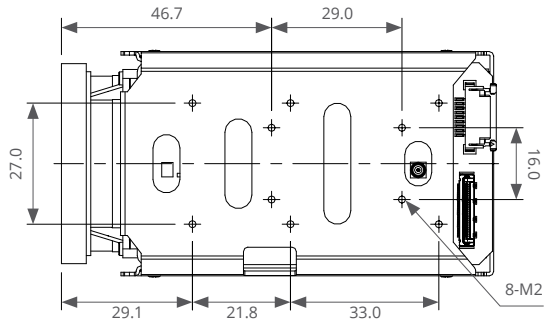


ATC-HZ7830Z

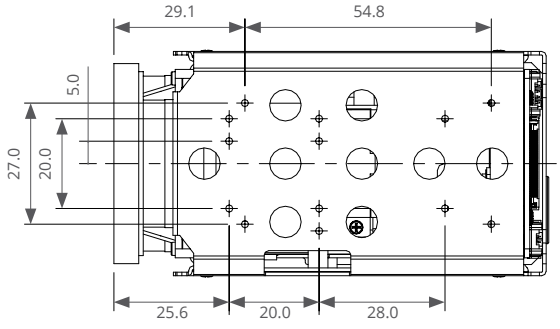
Front



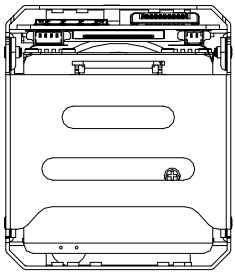
Top



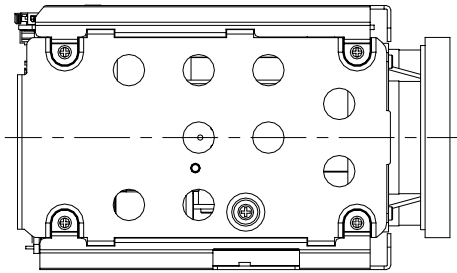
Bottom



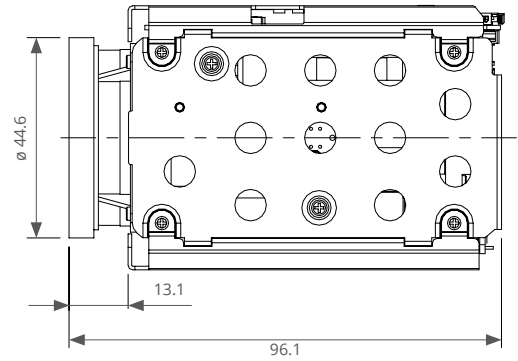
Rear



Left

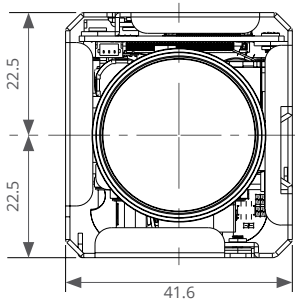


Right

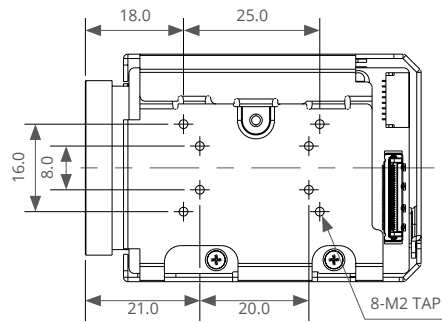


ATC-HZ5610C

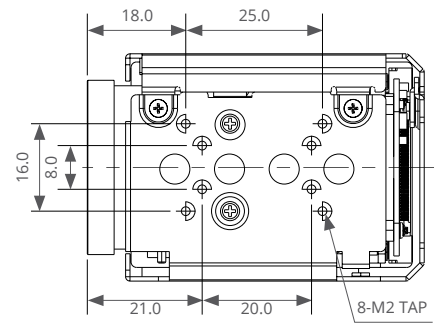
Front



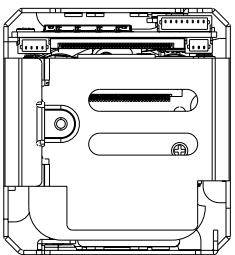
Top



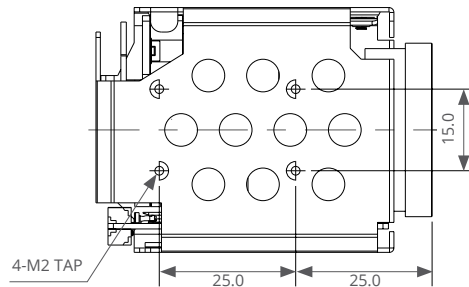
Bottom



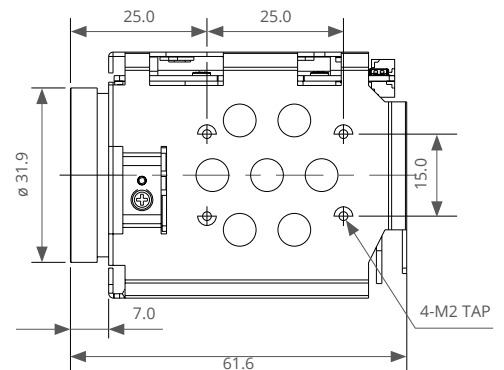
Rear



Left

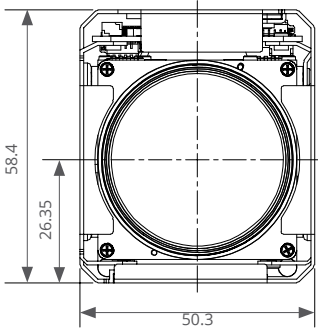


Right

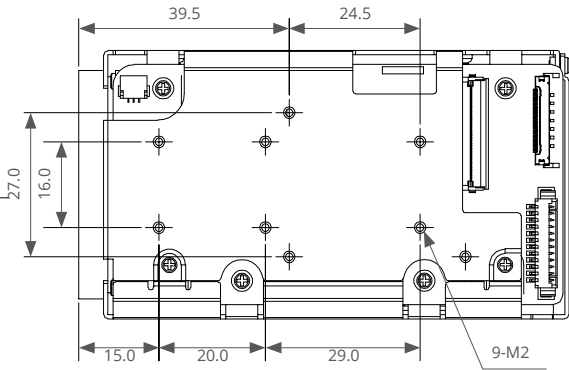


ATC-HZ5612W

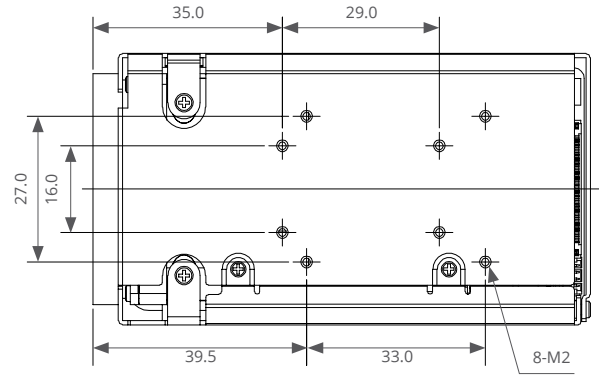
Front



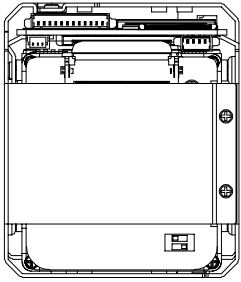
Top



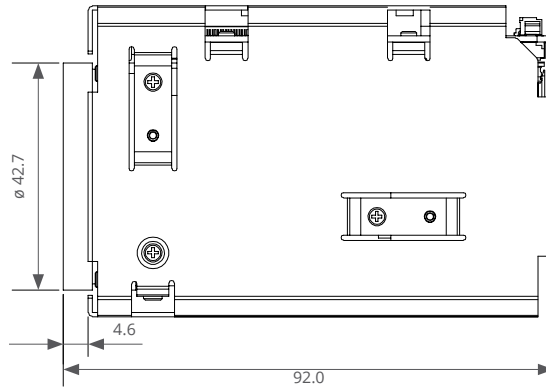
Bottom



Rear

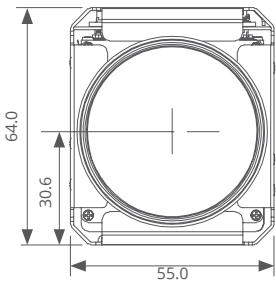


Right

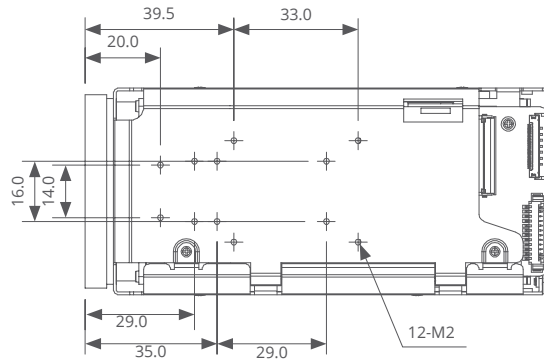


ATC-HZ5630W/36W

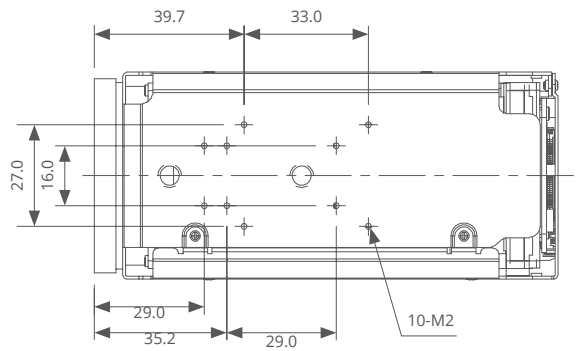
Front



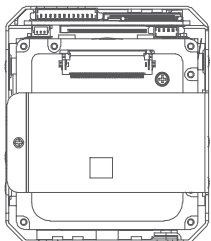
Top



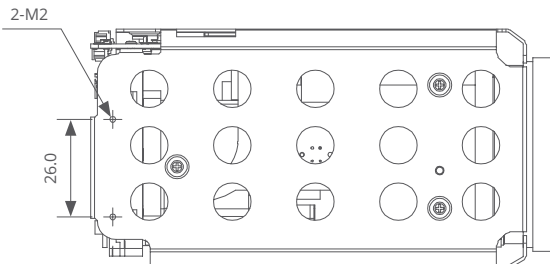
Bottom



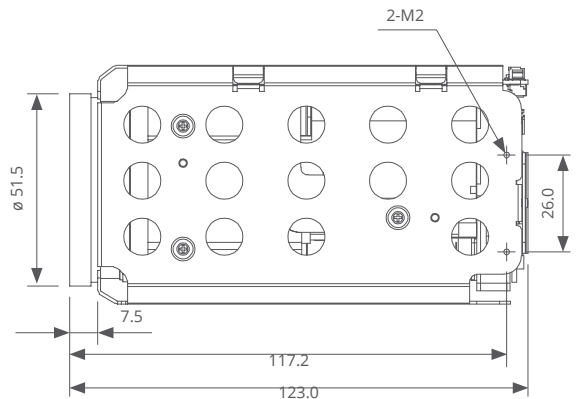
Rear



Rear

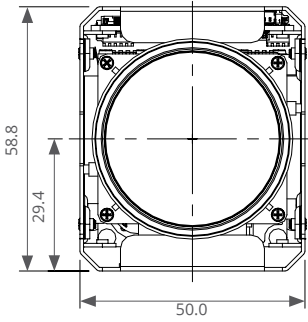


Right

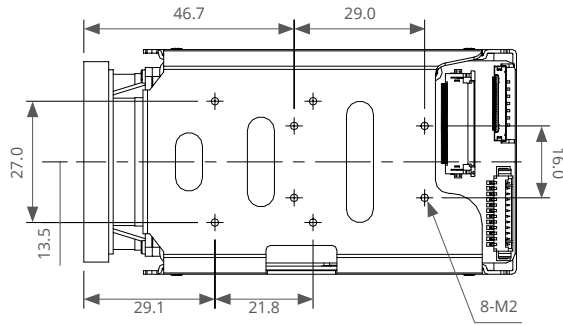


ATC-HZ5630Z

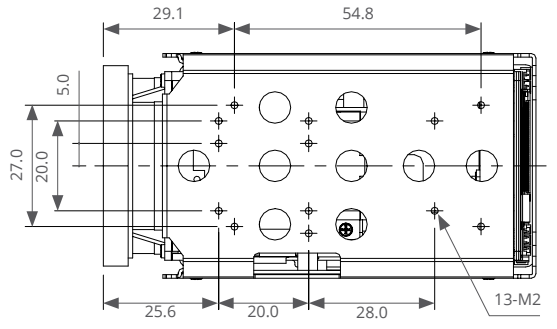
Front



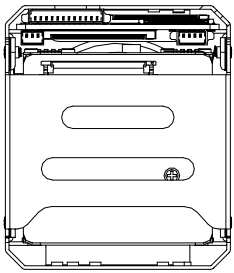
Top



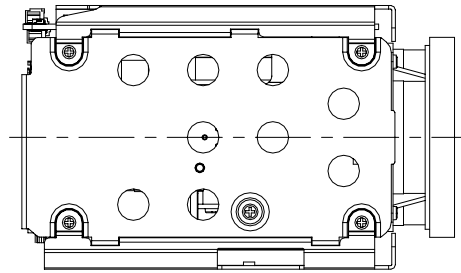
Bottom



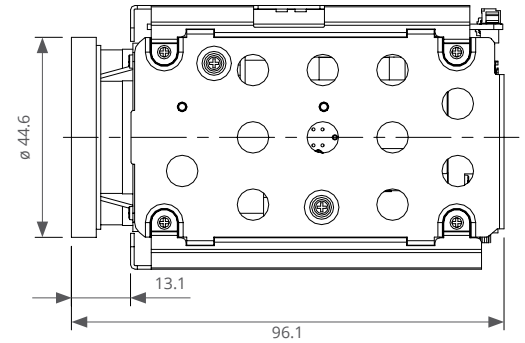
Rear



Left

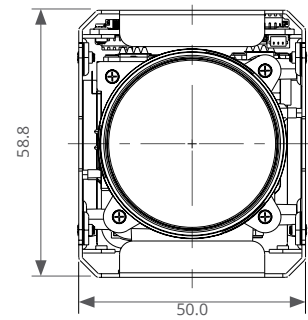


Right

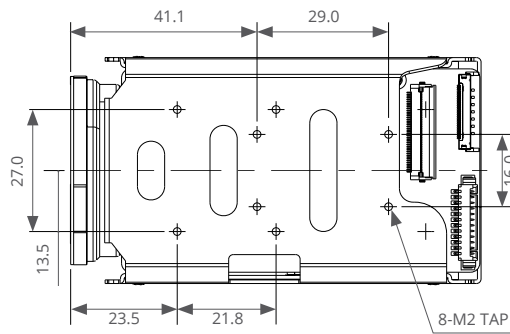


ATC-HZ5630T

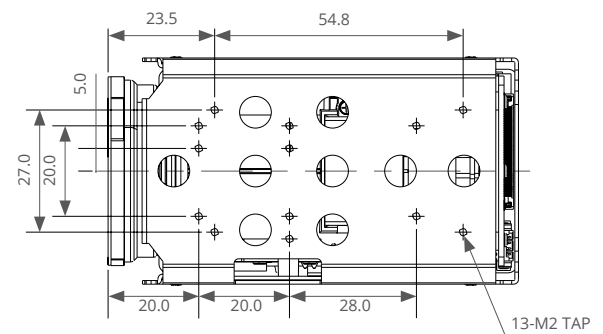
Front



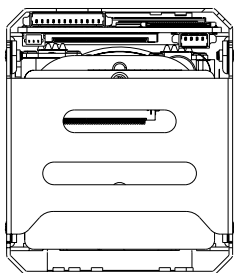
Top



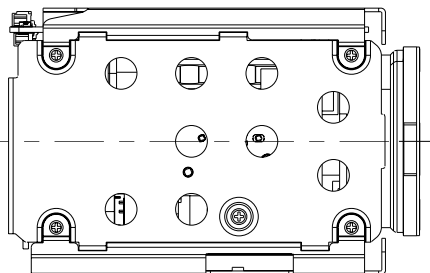
Bottom



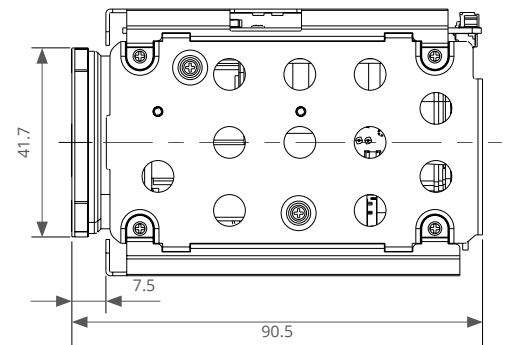
Rear



Left

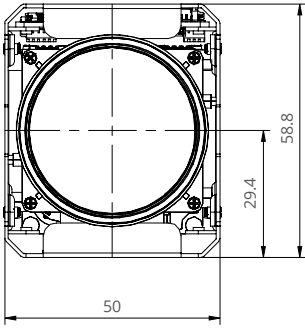


Right

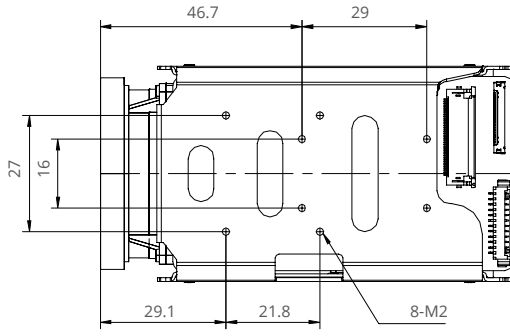


ATC-HZ5230Z-L CN

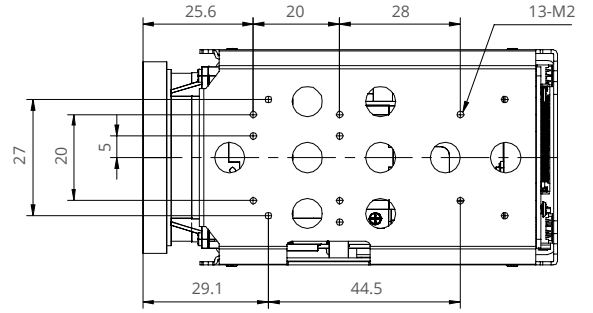
Front



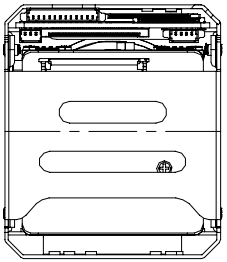
Top



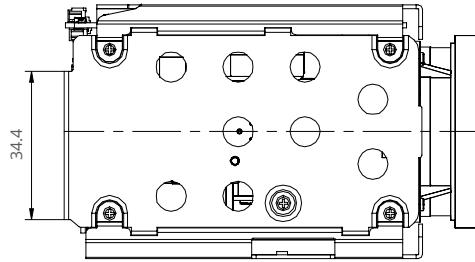
Bottom



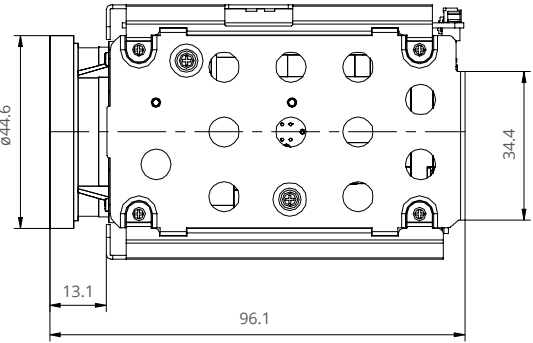
Rear



Left

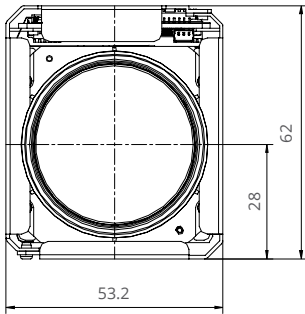


Right

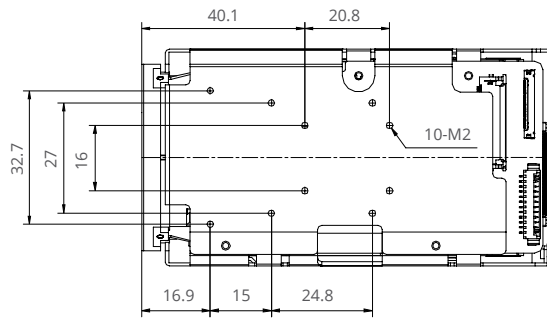


ATC-HZ5240T-L CN

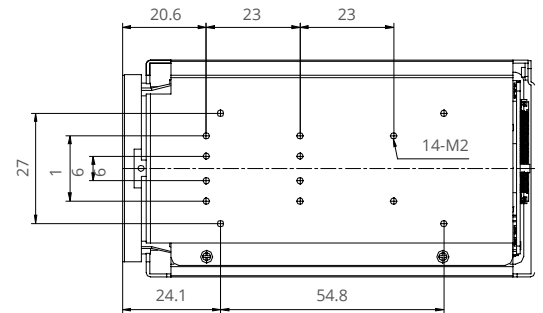
Front



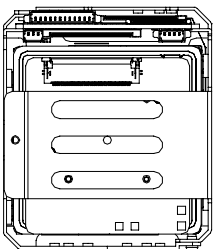
Top



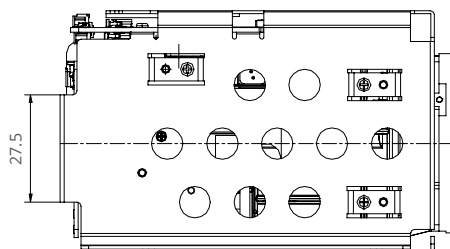
Bottom



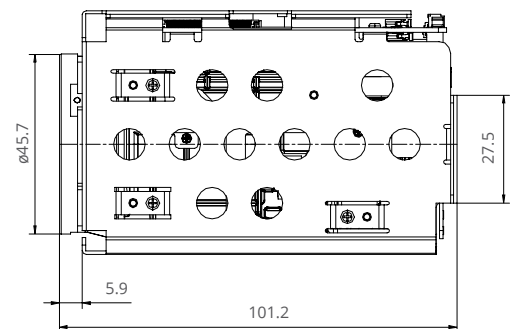
Rear



Left

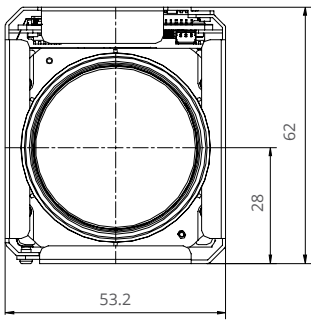


Right

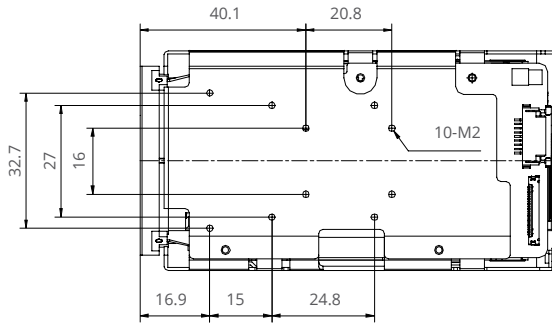


ATC-HZ8240T-LTA

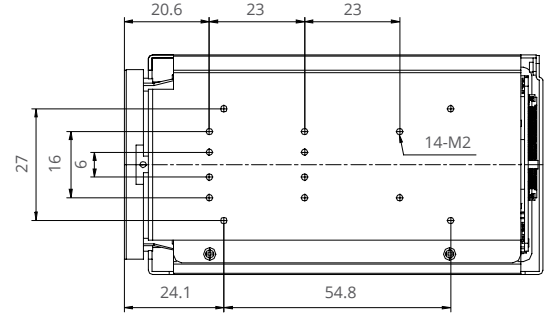
Front



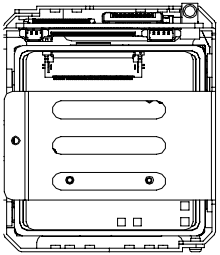
Top



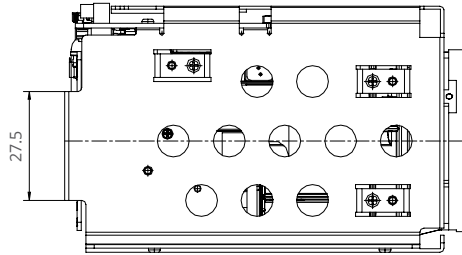
Bottom



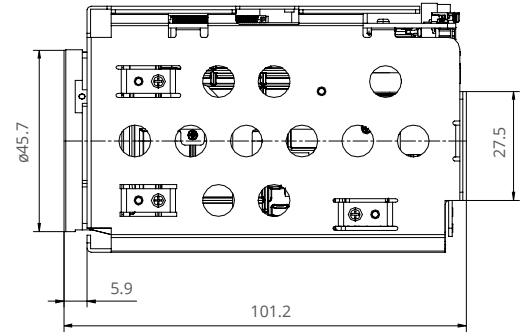
Rear



Left

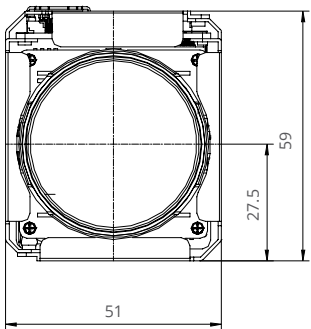


Right

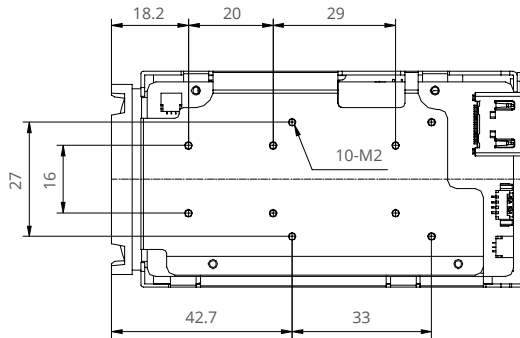


ATC-UZ5818M-H

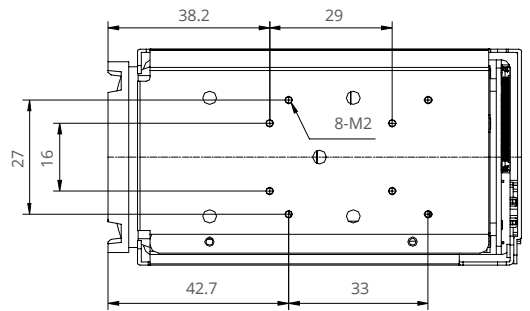
Front



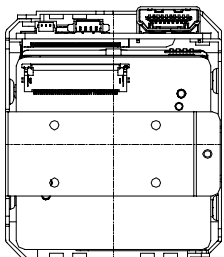
Top



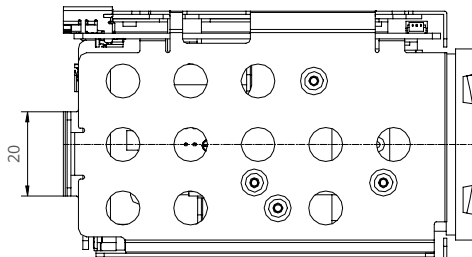
Bottom



Rear



Left



Right

