

Technical Catalogue

Global Shutter

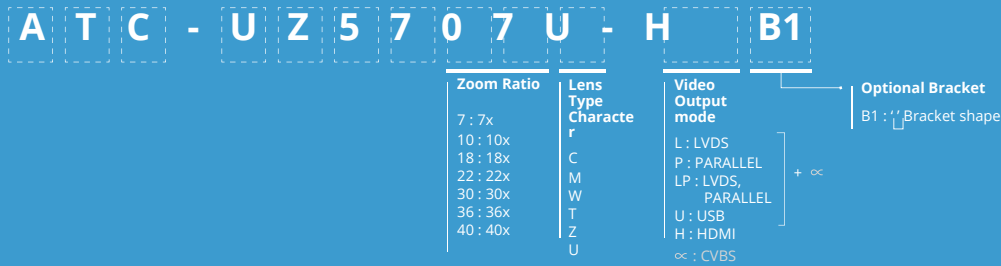


Global Shutter Series

Optical Auto Focus
Zoom Cameras



Model naming



Global Shutter 4K Series

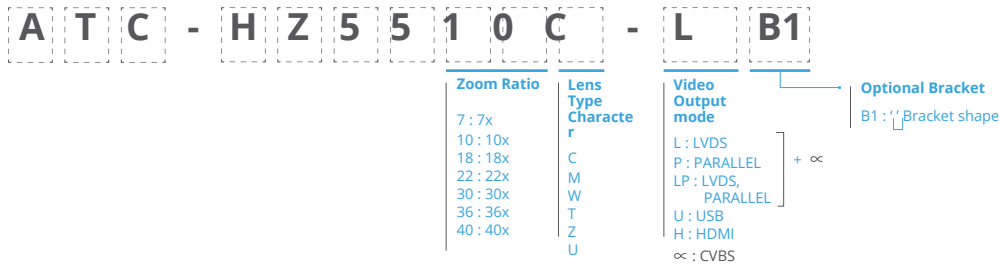
Model Name		ATC-UZ5707U-H	ATC-UZ5722U-H
Shutter system			
Optical Zoom Ratio		7x	22x
Image Sensor		1/1" CMOS	
Video Output Mode	EX-SDI	X	X
	HD-SDI	X	X
CVBS		O	O
AVI		X	X
TVI		X	X
LVDS		X	X
	Parallel	X	X
USB		X	X
HDMI		O	O
Max. Video Resolution		HDMI(1.4b) : 3840x2160@30fps	
D&N Mode		Auto/Day(Color)/Night(BW)/External-H or L	
Image Freeze		O	O
Image Flip		O	O
Privacy Mask Zone		O	O
Digital Image Stabilization		O	O
Motion Detection		O	O
WDR		O	O
3D-DNR		O	O
Defog		O	O
UART		RS232 TTL +5.0V(+3.3V Compatible)	
Optional Model		ATC-UZ5707U-HM HDMI TO MIPI convertor board	ATC-UZ5722U-HM HDMI TO MIPI convertor board



HD Auto Focus Optical Zoom Block Camera

ZOOM CAMERA

Model naming



Global Shutter Series

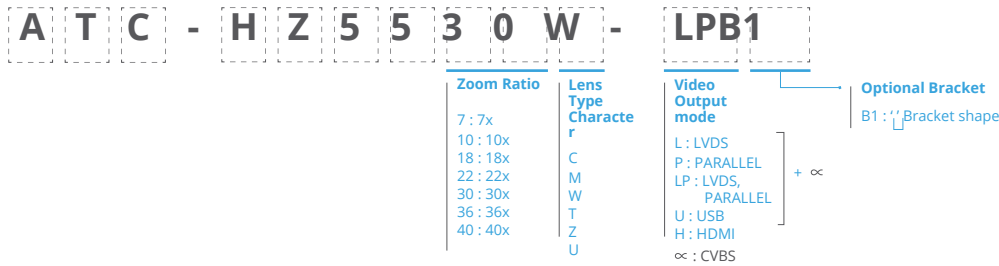
Model Name	ATC-HZ5510C-L ATC-HZ5510C-LC	ATC-HZ5510C-P ATC-HZ5510C-PC	ATC-HZ5510C-C	ATC-HZ5530Z-LP	ATC-HZ5530T-LP
Shutter system	Global Shutter				
Optical Zoom Ratio	10x			30x	
Image Sensor	1/2.9" CMOS				
Video Output Mode	EX-SDI	X	X	X	X
	HD-SDI	X	X	X	X
	CVBS	O(LC)	O(PC)	O	O
	AVI	X	X	X	X
	TVI	X	X	X	X
	LVDS	O	X	X	O
	Parallel	X	O	X	O
USB	X	X	X	X	X
Max. Video Resolution	LVDS : 720p@60(50fps)	Parallel : 720p@60(50fps)	-	LVDS / Parallel : 1080p@60(50fps)	LVDS / Parallel : 720p@60(50fps)
D&N Mode	Auto/Day(Color)/Night(BW)/External-H or L				
Image Freeze	O	O	O	O	O
Image Flip	O	O	O	O	O
Privacy Mask Zone	O	O	O	O	O
Digital Image Stabilization Motion	O	O	X	O	O
Detection	O	O	O	O	O
WDR	O	O	O	O	O
3D-DNR	O	O	O	O	O
Defog	O	O	O	O	O
UART	RS232 TTL +5.0V(+3.3V Compatible)				
Optional Model	NIL				



HD Auto Focus Optical Zoom Block Camera

ZOOM CAMERA

Model naming



Global Shutter Series

Model Name	ATC-HZ5530W-LP	ATC-HZ5536W-LP	ATC-HZ5518W-LP	ATC-HZ5518W-U	ATC-HZ8340T-LC
Shutter system	Global Shutter				
Optical Zoom Ratio	30x	36x	18x		40x
Image Sensor	1/1.8" CMOS				1/2.3" CMOS
Video Output Mode	EX-SDI	X	X	X	X
	HD-SDI	X	X	X	X
	CVBS	O	O	O	O
	AVI	X	X	X	X
	TVI	X	X	X	X
	LVDS	O	O	O	X
	Parallel	O	O	O	X
	USB	X	X	X	O
Max. Video Resolution	LVDS / Parallel : 1080p@60(50fps)			USB :1080p@60(50fps)	LVDS / Parallel : 1080p@60(50fps)
D&N Mode	Auto/Day(Color)/Night(BW)/External-H or L				
Image Freeze	O	O	O	O	O
Image Flip	O	O	O	O	O
Privacy Mask Zone	O	O	O	O	O
Digital Image Stabilization Motion	O	O	O	O	O
Detection	O	O	O	O	O
WDR	O	O	O	O	O
3D-DNR	O	O	O	O	O
Defog	O	O	O	O	O
UART	RS232 TTL +5.0V(+3.3V Compatible)				
Optional Model	NIL				



•High speed zoom tracking and extremely precise auto focusing.

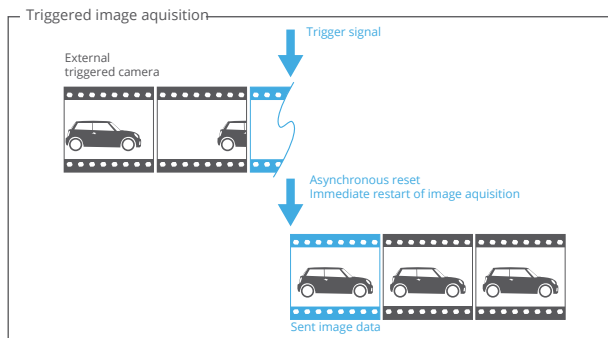
• Global shutter

Global shutter captures the entire image at once so there is no distortion in the picture even on fast moving objects, unlike the rolling shutter where it uses repetitive scan which causes the image to be skewed or blurred.



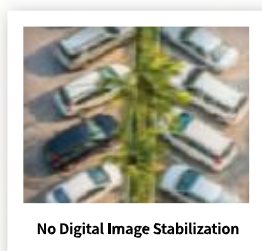
• Asynchronous Reset

Initiating an exposure at a particular instant by external trigger is called asynchronous reset. This function is required to acquire the best image so that object is located in correct position even when it moves at high speed.



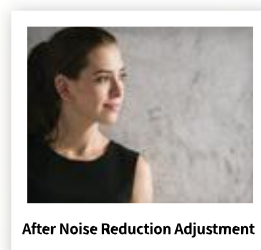
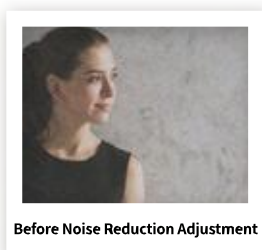
• Digital Image Stabilization

DIS greatly reduces image blur caused by vibration.



• Noise Reduction

Noise reduction is the process of removing noise from a signal. The HZ55 series cameras are optimized to obtain extremely low-noise image by incorporating 2D/3D-DNR.



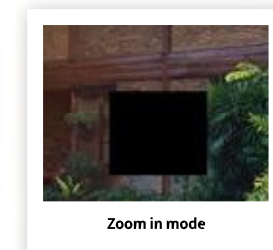
• Wide Dynamic Range

Wide Dynamic Range is a technology used to compensate problems with various light exposure. It can work on the dark and bright areas on the image by reproducing a balanced image to improve overall image quality.



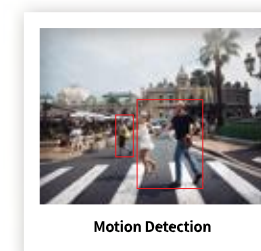
• 3D Privacy Masking Zone

Masking zone function is to protect private and sensitive areas. The masking area is maintained proportional to the zoom level. 8 zones can be specified.



• Motion Detection

Motion detection is the process of detecting a change in specified areas. 4 zones can be specified.



• Image Rotation(E-Flip) and Freeze

Image Rotation allows the images to be flipped horizontally, vertically, or both. The Freeze function stills the image.

Normal Image Horizontal Flip Vertical Flip 180 Reverse Flip





HD Auto Focus Optical Zoom Block Camera

ZOOM CAMERA

Global Shutter 4K Series

- ATC-UZ5707U-H
- ATC-UZ5722U-H

Global Shutter Series

- ATC-HZ5510C-L
- ATC-HZ5510C-LC
- ATC-HZ5510C-P
- ATC-HZ5510C-PC
- ATC-HZ5510C-C
- ATC-HZ5530Z-LP
- ATC-HZ5530W-LP
- ATC-HZ5530T-LP
- ATC-HZ5536W-LP
- ATC-HZ5340T-LP
- ATC-HZ5518W-LP
- ATC-HZ5518W-U

Outline

Global shutter series offers auto-focus optical zoom block cameras with global shutter that incorporates the latest and most advanced ISP and CMOS sensor.

Global shutter is the key feature that can obtain undistorted images from fast moving subjects used in various industrial applications.

Furthermore, the series support high speed zoom tracking and highly accurate auto focusing even in dark environments.

Model Name	Image Sensor	Lens Features	Max. Video Resolution
ATC-HZ5510C	1/2.9" CMOS	f=5.1~51mm(10x) F1.6~1.8	LVDS : 720p@60(50fps)
ATC-HZ5530Z	1/2.9" CMOS	f=5.0~150mm(30x) F1.6~4.3	LVDS / Parallel : 720p@60(50fps)
ATC-HZ5530T	1/2.9" CMOS	f=4.3~129mm(30x) F1.6~5.0	LVDS / Parallel : 720p@60(50fps)
ATC-HZ5340T	1/2.3" CMOS	f=4.25~170mm F1.6~4.95	LVDS / Parallel : 1080p@60(50fps)
ATC-HZ5536W	1/1.8" CMOS	f=6.0~216mm(36x) F1.5~4.8	LVDS / Parallel : 1080p@60(50fps)
ATC-HZ5530W	1/1.8" CMOS	f=6.0~180mm(30x) F1.5~4.3	LVDS / Parallel : 1080p@60(50fps)
ATC-HZ5518W-LP	1/1.8" CMOS	f=6.8~120mm F1.61~4.13	LVDS / Parallel : 1080p@60(50fps)
ATC-HZ5518W-U	1/1.8" CMOS	f=6.8~120mm F1.61~4.13	USB :1080p@60(50fps)
ATC-UZ5707U	1/1" CMOS	f=12~84mm F1.5~2.6	HDMI(1.4b) : 3840x2160@30fps
ATC-UZ5722U	1/1" CMOS	f=9.9~217mm F1.62~5.4	HDMI(1.4b) : 3840x2160@30fps

Features

Image Sensor

- 720p 1/2.9" Pregius™ Global shutter CMOS
- 1080p 1/1.8" Pregius™ Global shutter CMOS
- 1080p 1/2.3" Pregius™ Global shutter CMOS
- 4K 1" Pregius™ Global shutter CMOS



Video Signal Format

Depending on register settings, you can select from various digital output methods.
3840x2160(30), 1080p/60(50), 1080p/30(25), 720p/60(50), 720p/30(25)

Video Output

LVDS / Parallel / CVBS / USB / HDMI(1.4b)

Global Shutter

- It enables to obtain undistorted images even from fast moving subjects.

Wide Dynamic Range

- It produces high quality image across a broad range of light intensity.

3D Privacy Masking zone

- Maximum 8 zones are available.

Digital Image Stabilization

- DIS allows reduction in image blurring caused by vibration detection.

Motion detection is available.

Noise Reduction

- It is optimized to obtain extremely low-noise images incorporating 2D/3D-DNR.

Auto ICR

- Infrared cut-filter is automatically enabled or disabled according to changing light conditions or day/night mode.

Defog

- Defog enables clearer images during foggy and low contrast environments.

Image Flip and freeze.

- External Synchronization(Optional).

- Available UART RS232 TTL(VISCA/Pelco-D/Pelco-P/Hitachi).

Model Name	ATC-UZ5707U-H	ATC-UZ5722U-H
Video System		
Image Sensor	1/1" Progressive Scan Global Shutter CMOS	
Effective Pixels	8.95MP 4112(H) x 2176(V)	
Video Output Mode	Common HDMI(1.4b) / CVBS	
Max. Video Resolution	HDMI(1.4b) : 3840x2160@30fps	
Synchronization system	Internal	
Min.Illumination		
(Condition : DSS OFF, AGC45dB)	Day mode: 0.1(Lux(F1.6)	
S/N Rate	Night mode: 0.06Lux(F1.6/ IR-cut filter on)	
	Sens-Up off, AGC28dB	
	More than 52dB(AGC off, Sens-Up off)	
Type		
Focal Length	AF Optical zoom lens(P-Iris)	
Lens F-value	f=12mm~84mm F=9.9mm~217mm	
Angle of View	F1.5(W)~2.6(T) F1.62(W)~5.4(T)	
Zoom ratio	Horizontal 61.19°(W)~9.66°(T), Horizontal 71.26°(W)~3.75°(T), Vertical 34.75°(W)~5.12°(T) Vertical 41.54°(W)~1.98°(T)	
Focus Min.Working Distance	Optical 7x / Digital 12x Optical 22x / Digital 12x	
Focus Control	0.5m(Wide)/2.5m(Tele)~∞ 0.5m(Wide)/10.0m(Tele)~∞	
	Auto/Manual/Interval/One Push/Preset	
AE Mode		
Brightness	Auto/Shutter Priority/Iris Priority/AGC Priority/Manual	
Manual Shutter	0~14	
Manual Iris	1/1, 1/2, 1/4(3), 1/8(6), 1/15(12), 1/30(25), 1/60(50)~1/10000	
Sense-up	F1.5~F32, Close F1.6~F32, Close	
ETC	Off~32fields	
D&N Mode	Spot AE, Slow AE	
White Balance		
Image Freeze	Auto/Day(Color)/Night(BW)/External-H or L	
Image Flip	AUTO/ATW/Indoor/Outdoor/OnePush/Manual	
Privacy Mask Zone	Off/On	
Digital Image Stabilization	Off/Horizontal/Vertical/H+V(180° Flip)	
Motion Detection	16 Zones/14 mask color selectable, semi-transparency	
D-WDR	Yes	
WDR	4 Zones	
BLC	Off/Low/Middle/High	
HLC	Off/Low/Middle/High	
AGC	Off/On, Area selectable	
Sharpness	Off/0~20, Color selectable	
3D-DNR	Max.48dB	
2D-DNR	Adjustable(0~15)	
Defog	On/Off(1~5)	
Preset	Auto/Manual	
Language	Off/Low/Middle/High	
	256-position Presets(Zoom,Focus), 16Memory Presets, Custom Preset	
Remote	English	
UART Protocol		
Baud rate	RS232 TTL +5.0V(+3.3V compatible)	
Supply Voltage	VISCA/Pelco-D/Pelco-P/Hitachi: Automatic detection	
Power Consumption	2400/4800/9600/19200/38400/57600/115200bps	
Physical and Temperature		
Dimension(mm)	12VDC(9V to 15VDC)	
Weight	Max.8.7W / Non-working zoom&focus 6.9W	
Operating Temperature		
Storage Temperature	80x88x154.3mm	79.5x86.2x175.4mm
	Approx.885g	Approx.497g
	-10°C~+50°C, Humidity(20~80%)	
	-20 °C ~+60 °C ,	
	Humidity(20~95%)	



Global Shutter Series Specifications

ZOOM CAMERA

Model Name	ATC-HZ5510C-L ATC-HZ5510C-LC	ATC-HZ5510C-P ATC-HZ5510C-PC	ATC-HZ5510C-C	ATC-HZ5530Z-LP	ATC-HZ5530T-LP	ATC-HZ5530W-LP	ATC-HZ5536W-LP
Video System							
Image Sensor	1/2.9" Progressive Scan Global Shutter CMOS / 1.8" Progressive Scan Global Shutter CMOS						
Effective Pixels	1.58MP 1456(H) x 1088(V) / 3.19MP 2064(H) x 1544(V)						
Video Com-Output Modem	LVDS (L) / LVDS / CVBS (LC) / Parallel (P) / Parallel / CVBS (PC) / Parallel / CVBS (LC) / Parallel / CVBS (PC)						
Max. Video Resolution	LVDS : 720p@60(50fps) / Parallel : 720p@60(50fps) / LVDS / Parallel : 1080p@60(50fps)						
Synchronization system	Internal / External Option						
Min.Illumination							
Min.Illumination (Condition : DSS OFF, AGC45dB)	Day mode : 0.1Lux(F1.6) / Night mode : 0.08Lux(F1.6 / IR-cut filter on)		Day mode : 0.03Lux(F1.6) / Night mode : 0.02Lux (F1.6 / IR-cut filter on)	Day mode : 0.1Lux(F1.6) / Night mode : 0.08Lux(F1.6 / IR-cut filter on)		Day mode : 0.1Lux(F1.5) / Night mode : 0.05Lux(F1.5 / IR-cut filter on)	
S/N Rate	More than 55dB(AGC off, DSS off)		More than 52dB (AGC off, DSS off)	More than 55dB(AGC off, DSS off)			
Lens							
Type	AF Optical zoom lens(DC Iris), IR Corrective						
Focal Length	f=5.1mm~51mm		f=5.0~150mm		f=4.3mm~129mm	f=6.0mm~180mm	f=6.0mm~216mm
View	Horizontal 54.0°(W)~4.9°(T), Vertical 31.0°(W)~4.0°(T)		Horizontal 59.2°(W)~2.0°(T), Vertical 33.8°(W)~1.15°(T)		Horizontal 53.9°(W)~1.93°(T), Vertical 39.8°(W)~1.41°(T)		Horizontal 61.2°(W)~2.32°(T), Vertical 34.1°(W)~1.2°(T)
Zoom ratio	Optical 10x / Digital 12x		Optical 30x / Digital 12x		Optical 30x / Digital 12x		Optical 36x / Digital 12x
Focus Min. Working Distance	0.01m(Wide) / 1.0m(Tele)~∞		0.01m(Wide) / 1.0m(Tele)~∞		0.01m(Wide) / 1.5m(Tele)~∞		0.1m(Wide) / 1.5m(Tele)~∞
Focus Control	Auto/Manual/Interval/One Push/Presets						
Exposure	Auto/Shutter Priority/Iris Priority/Manual/Bright						
AE Mode							
Brightness	0-14						
Manual Shutter	1/1, 1/2, 1/4(3), 1/8(6), 1/15(12), 1/30(25), 1/60(50)~1/10000						
Manual Iris	F1.6~F32, Close						
Sense-up	Off~32fields						
ETC	Spot AE, Slow AE						
Functions	Spot AE, Slow AE						
D&N Mode							
White Balance	Auto/Day(Color)/Night(BW)/External-H or L						
Image Freeze	AUTO/ATW/Indoor/Outdoor/Manual						
Image Flip	Off/On						
Privacy Mask Zone	Off/Horizontal/Vertical/H+V(180° Flip)						
Digital Image Stabilization	8 Zones/14 mask color selectable						
Motion Detection	Yes	-					Yes
D-WDR	4 Zones						
WDR	Off/Low/Middle/High						
BLC	Off/On, Adjustable(Level:0~29, Contrast:0~5, Bright:0~19)						
HLC	Off/On, Area selectable						
AGC	Off/On, Area selectable						
Sharpness	Max.48dB, d2X - d9X				Max.48dB		
3D-DNR	Adjustable(0~15)						
2D-DNR	Off/Auto/Low/Middle/High						
Defog	Off/Auto/Low/Middle/High						
Presets	Off/On/Auto						
Language	256 position Presets(Zoom,Focus), 16Memory Presets, Custom Preset						
Communication	English						
Remote							
UART Protocol	RS232 TTL +5.0V(+3.3V compatible)						
Baud rate	VISCA/Pelco-D/Pelco-P/Hitachi: Automatic detection						
Power	2400/4800/9600/19200/38400/57600/115200bps						
Supply Voltage	12VDC(9V to 15VDC)						
Power Consumption	12VDC(9V to 15VDC)						
Physical and Temperature Dimension(mm)	Max.4.7W / Non-working zoom&focus 3.0W	Max.6W / Non-working zoom&focus 3.9W	Max.5.1W / Non-working zoom&focus 3.1W	Max.5.3W / Non-working zoom&focus 3.8W			
Weight	41.6x45x61.6mm		50x58.8x96.1mm		50x58.8x90.5mm		55.0x64.0x123mm
Operating Temperature	Approx.124g		Approx.240g		Approx.244g		Approx.380g
Storage Temperature	-10°C~+50°C, Humidity(20~80%)						
	-20°C~+60°C, Humidity(20~95%)						



Global Shutter Series Specifications

ZOOM CAMERA

Model Name		ATC-HZ5340T-LP		ATC-HZ5518W-LP		ATC-HZ5518W-U	
Video System							
Image Sensor		1/2.3" Progressive Scan Global Shutter CMOS1/1.8"		Progressive Scan Global Shutter CMOS			
Effective Pixels		1.58MP 1456(H) x 1088(V)3.19MP 2064(H) x 1544(V)					
Video Output Common Mode		LVDS / Parallel / CVBS/USB / CVBS					
Max. Video Resolution		LVDS / Parallel : 1080p@60(50fps)USB : 1080p@60(50fps)					
Synchronization system		Internal / External Option					
Min.Illumination							
Min.Illumination (Condition : DSS OFF, AGC45dB)		Day mode: 0.1Lux(F1.6) Night mode: 0.08Lux (F1.6/ IR-cut filter on) Sens-Up off, AGC45dB		Day mode: 0.1(Lux(F1.5) Night mode: 0.05Lux(F1.5/ IR-cut filter on) Sens-Up off, AGC45dB			
S/N Rate		More than 55dB(AGC off, DSS off)					
Lens							
Type	AF Optical zoom lens(DC Iris), IR Corrective						
Focal Length	f=4.25~170mm			f=6.8mm~120mm			
Lens F-value	F1.6(W)~4.95(T)			F1.61(W)~4.13(T)			
Angle of View	Horizontal 68.8°(W)~2.0°(T), Vertical 41.6°(W)~1.2°(T)			Horizontal 54.5°(W)~3.4°(T), Vertical 42.3°(W)~2.5°(T)			
Zoom ratio	Optical 40x / Digital 12x			Optical 18x / Digital 12x			
Focus Min.Working Distance	0.01m(Wide) / 1.0m(Tele)~∞			0.1m(Wide) / 2.0 (Tele)~∞			
Focus Control	Auto/Manual/Interval/One Push/Preset						
Exposure	Auto/Shutter Priority/Iris Priority/AGC Priority/Manual						
AE Mode	Auto/Shutter Priority/Iris Priority/AGC Priority/Manual						
Brightness	0~14						
Manual Shutter	1/1, 1/2, 1/4(3), 1/8(6), 1/15(12), 1/30(25), 1/60(50)-1/10000						
Manual Iris	F1.6~F32, Close						
Sense-up	Off~32fields						
ETC	Spot AE, Slow AE						
Functions	Auto/Day(Color)/Night(BW)/External-H or L						
D&N Mode	AUTO/ATW/Indoor/Outdoor/OnePush/Manual						
White Balance	AUTO/ATW/Indoor/Outdoor/OnePush/Manual						
Image Freeze	Off/On						
Image Flip	Off/Horizontal/Vertical/H+V(180° Flip)						
Privacy Mask Zone	8 Zones/14 mask color selectable						
Digital Image Stabilization	Yes						
Motion Detection	4 Zones						
D-WDR	Off/Low/Middle/High						
WDR	Off/On, Adjustable(Level:0~29, Contrast:0~5, Bright:0~19)						
BLC	Off/On, Area selectable						
HLC	Off/On, Area selectable						
AGC	Max.72dB	Max.48dB					
Sharpness	Adjustable(0~15)						
3D-DNR	Off/Auto/Low/Middle/High						
2D-DNR	Off/Auto/Low/Middle/High						
Defog	Off/On/Auto						
Preset	256 position Presets(Zoom,Focus), 16Memory Presets, Custom Preset						
Language	English						
Communication	RS232 TTL +5.0V(+3.3V compatible)						
Remote UART Protocol	VISCA/Pelco-D/Pelco-P/Hitachi: Automatic detection						
Baud rate	2400/4800/9600/19200/38400/57600/115200bps						
Power	12VDC(9V to 15VDC)						
Supply Voltage	12VDC(9V to 15VDC)						
Power Consumption	TBD	Max.5.3W / Non-working zoom&focus 3.8W				Max.6.0W / Non-working zoom&focus 4.5W	
Pysical and Temperature	53.2x62x101.2mm						
Dimension(mm)	53.2x62x101.2mm			51x59x97.6mm			
Weight	Approx.315g			Approx.277g			
Operating Temperature	-10°C~+50°C, Humidity(20~80%) -20°C~+60°C, Humidity(20~95%)						
Storage Temperature							



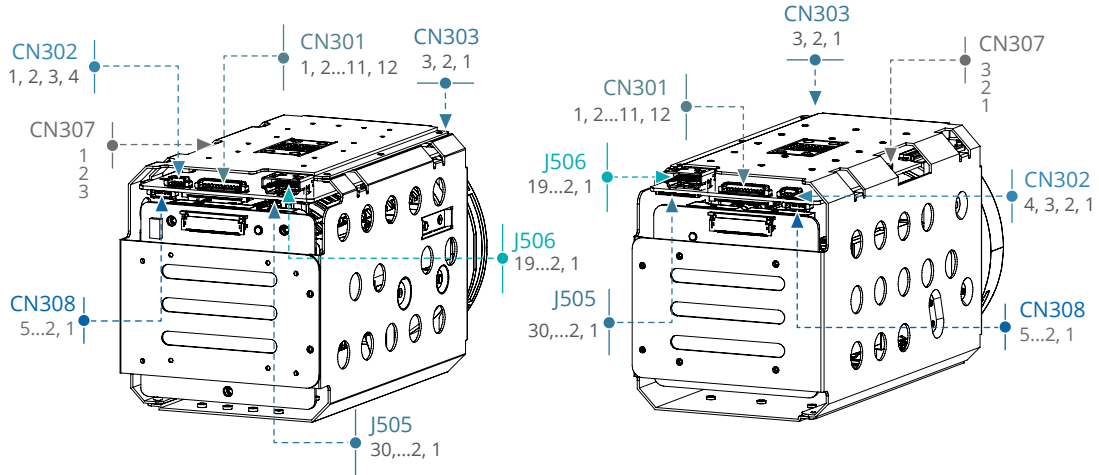
Pin Assignment(UZ5707/22U-H)

ZOOM CAMERA

•Pin Type:

CN301/CN302/CN303/CN307/C308 / J505/J506

•Pin Location



•Available Pin Type

*ATC-UZ5707U-H, ATC-UZ5722U-H :
CN301/CN302/CN303/CN307/
C308/J505/J506

CN301

Pin no.	CN301(External I/O) / Molex : 53261-1271
1	Vsync_OUT
2	Hsync_OUT
3	VCLK_OUT
4	GND
5	Vsync_IN
6	Hsync_IN
7	VCLK_IN
8	GND
9	Trig_Common
10	Trigger_IN
11	Strobe_Common
12	Strobe_IN

CN302

Pin no.	CN302(CVBS) / Molex: 53261-0471
1	POWER IN : +12VDC
2	GND
3	VIDEO : CVBS Output
4	AD_KEY

CN303

Pin no.	CN303(External D&N) / JST: SM03B-SRSS-TB
1	Ext_D&N : External D&N Input
2	GND
3	+3.3V Out(For sensor)

CN307

Pin no.	CN307(RS-232 TTL) / JST: SM03B-SRSS-TB
1	GND
2	RXD : CMOS 3.3V Read Data
3	TXD : CMOS 3.3V Send Data

J506

Pin no.	J506(HDMI) / 51U019S-30S1N-AR
1	TMDS2+
2	GND
3	TMDS2-
4	TMDS1+
5	GND
6	TMDS1-
7	TMDS0+
8	GND
9	TMDS0-
10	TMDS+
11	GND
12	TMDS-
13	CEC
14	NC
15	DDC_SCL
16	DDC_SDA
17	GND
18	+5VDC
19	HPD
20	CN308(IR-LED I/O) / Molex : 53261-0571
21	+12V DC
22	GND
23	LED On/Off
24	+3.3V Out(For sensor)
25	CDS Input

CN308

Pin no.	CN308(IR-LED I/O) / Molex : 53261-0571
1	+12V DC
2	GND
3	LED On/Off
4	+3.3V Out(For sensor)
5	CDS input

J505

Pin no.	J505(Micro Co-Axial) / KEL Co.USL00-30L-A
1	POWER IN: +12VDC
2	POWER IN: +12VDC
3	GND
4	GND
5	I2C_SCL(3.3V)
6	I2C_SCL(3.3V)
7	GND
8	Uart_TXD(5V)
9	Uart_RXD(5V)
10	GND
11	GND
12	1_HDMI(TMDS_D2+)
13	2_HDMI(GND)
14	3_HDMI(TMDS_D2-)
15	4_HDMI(TMDS_D1+)
16	5_HDMI(GND)
17	6_HDMI(TMDS_D1-)
18	7_HDMI(TMDS_D0+)
19	8_HDMI(GND)
20	9_HDMI(TMDS_D0-)
21	10_HDMI(TMDS_CLK+)
22	11_HDMI(GND)
23	12_HDMI(TMDS_CLK-)
24	13_HDMI(CEC)
25	14_HDMI(NC)
26	15_HDMI(DDC_SCL)
27	16_HDMI(DDC_SDA)
28	17_HDMI(DDC_GND)
29	18_HDMI(VCC_5V)
30	19_HDMI(HPD)



Pin Assignment(HZ5510C Series)

ZOOM CAMERA

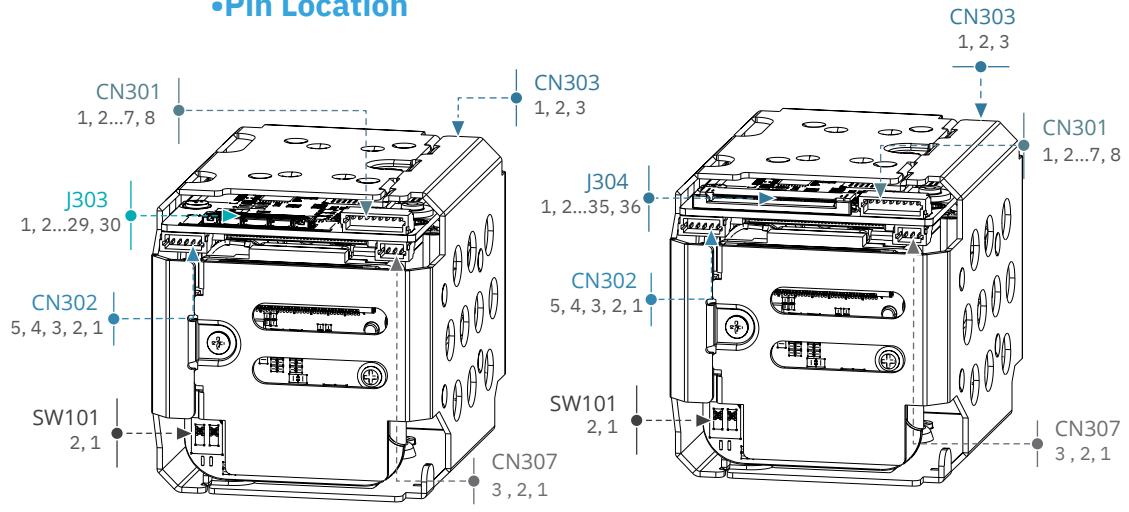
•Pin Type:

CN301/CN302/CN303/
CN307/ J303/J304

•Available Pin Type

*ATC-HZ5510C-L , ATC-HZ5510C-LC:
CN301/CN302/CN303/CN307/J303
*ATC-HZ5510C-P, ATC-HZ5510C-PC:
CN301/CN302/CN303/CN307/J304
SW101 is fixed the sensor slave
(Switch 1: OFF, Switch 2: ON)
It cannot be operated when using the other settings.

•Pin Location



CN301

Pin no.	CN301(External I/O) / JST: SM08B-SRSS-TB
1	Vsync_OUT
2	Hsync_OUT
3	VCLK_OUT
4	GND
5	Vsync_IN
6	Hsync_IN
7	VCLK_IN
8	GND

CN302

Pin no.	CN302 (External I/O) / JST CN302 / JST: SM05B-SRSS-TB / SM05 B-SRSS-TB(HZ5510C-L/P)
1	Trig_Common POWER IN : +12VDC
2	Trigger_IN GND
3	Strobe_Common VIDEO : CVBS Output
4	Strobe_IN AD_KEY
5	GND GND

CN303

Pin no.	CN303(External D&N) / JST: SM03B-SRSS-TB
1	Ext_D&N : External D&N Input
2	GND
3	+3.3V Out(For sensor)

CN307

Pin no.	CN307(RS-232 TTL) / JST: SM03B-SRSS-TB
1	GND
2	RXD : CMOS 3.3V Read Data
3	Data TXD : CMOS 3.3V Send Data

J304

Pin no.	J304(FFC Connector) / Hirose : FH12-36S-05SH(55)
1	GND
2	Y_OUT[0]
3	Y_OUT[1]
4	Y_OUT[2]
5	Y_OUT[3]
6	GND
7	Y_OUT[4]
8	Y_OUT[5]
9	Y_OUT[6]
10	Y_OUT[7]
11	GND
12	C_OUT[0]
13	C_OUT[1]
14	C_OUT[2]
15	C_OUT[3]
16	GND
17	C_OUT[4]
18	C_OUT[5]
19	C_OUT[6]
20	C_OUT[7]
21	GND
22	VSYNC
23	HSYNC
24	GND
25	VCLK_OUT
26	GND
27	GND
28	GND
29	GND
30	POWER IN : +12VDC
31	POWER IN : +12VDC
32	POWER IN : +12VDC
33	GND
34	TXD : CMOS 5.0V Send Data(Compatible 3.3V)
35	RXD : CMOS 5.0V Read Data(Compatible 3.3V)
36	

J303

Pin no.	J303(Micro Co-Axial) / KEL Co.USL00-30L-C
1	TX_OUT3+
2	TX_OUT3-
3	TX_CLKOUT+
4	TX_CLKOUT-
5	TX_OUT2+
6	TX_OUT2-
7	TX_OUT1+
8	TX_OUT1-
9	TX_OUT0+
10	TX_OUT0-
11	GND
12	TXD : CMOS 5.0V Send Data(Compatible 3.3V)
13	RXD : CMOS 5.0V Read Data(Compatible 3.3V)
14	+12VDC
15	+12VDC
16	+12VDC
17	+12VDC
18	+12VDC
19	GND
20	GND
21	TX_OUT7+ : Single out mode (open)
22	TX_OUT7- : Single out mode(open)
23	TX_OUT6+ : Single out mode(open)
24	TX_OUT6- : Single out mode(open)
25	CVBS Output
26	RESET_IN : Reset - Low(GND), Normal(1.8V)
27	TX_OUT5+
28	TX_OUT5-
29	TX_OUT4+
30	TX_OUT4-



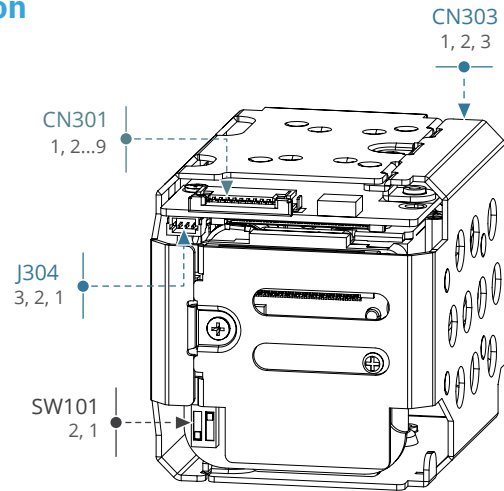
Pin assignment(HZ5510C Series)

ZOOM CAMERA

•Pin Type:

CN301/CN303/CN304

•Pin Location



•Available Pin Type

*ATC-HZ5510C-C:

CN301/CN303/CN304

SW101 is fixed the sensor slave
(Switch 1: OFF, Switch 2: ON)
It cannot be operated when using the
other settings.

CN301

Pin no.	CN301(52207-0933)	Master	Slave
1	CVBS_SUB	CVBS_SUB (OUTPUT)	CVBS_SUB (INPUT)
2	VD_OUT	VD_OUT	VD_OUT (No need no use)
3	GND	-	-
4	CVBS_MAIN	CVBS_OUT	CVBS_OUT
5	GND	-	-
6	+12V_IN	-	-
7	GND	-	-
8	TXD	TXD	TXD
9	RXD	RXD	RXD

CN303

Pin no.	CN303(SM3B-SRSS-TB)
1	EXT_DN
2	GND
3	+3.3V

CN304

Pin no.	CN304(SM3B-SRSS-TB)
1	GND
2	UART_RX
3	UART_TX



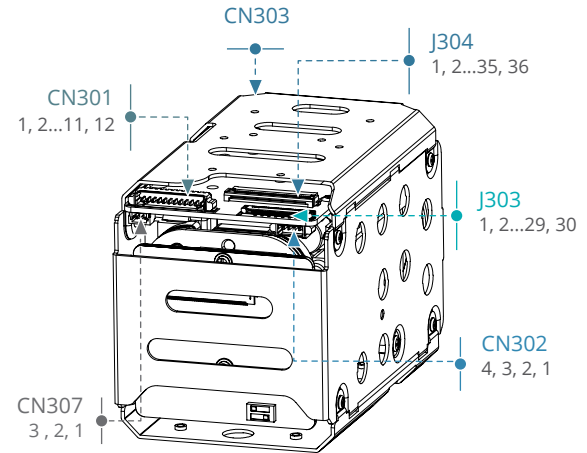
Pin Assignment(HZ5530Z/30T/8340T)

ZOOM CAMERA

•Pin Type:

CN301/CN302/CN303/CN307
/ J303/J304

•Pin Location



•Available Pin Type

*ATC-HZ5530Z-LP, ATC-HZ5530T-LP, ATC-HZ5340T-LP : CN301/CN302/CN303/J303/J304

SW101 is fixed the sensor slave (Switch 1: OFF, Switch 2: ON)

It cannot be operated when using the other settings.

CN301

Pin no.	CN301(External I/O) / Molex : 53261-1271
1	Vsync_OUT
2	Hsync_OUT
3	VCLK_OUT
4	GND
5	Vsync_IN
6	Hsync_IN
7	VCLK_IN
8	GND
9	Trig_Common
10	Trigger_IN
11	Strobe_Common
12	Strobe_IN

CN302

Pin no.	CN302(CVBS) / Molex: 53261-0471
1	POWER IN : +12VDC
2	GND
3	VIDEO : CVBS Output
4	AD_KEY

CN303

Pin no.	CN303(External D&N) / JST: SM03B-SRSS-TB
1	Ext_D&N : External D&N Input
2	GND
3	+3.3V Out(For sensor)

CN307

Pin no.	CN307(RS-232 TTL) / JST: SM03B-SRSS-TB
1	GND
2	RXD : CMOS 3.3V Read Data
3	TXD : CMOS 3.3V Send Data

J304

Pin no.	J304(FFC Connector) / Hirose : FH12-36S-05SH(55)
1	GND
2	Y_OUT[0]
3	Y_OUT[1]
4	Y_OUT[2]
5	Y_OUT[3]
6	GND
7	Y_OUT[4]
8	Y_OUT[5]
9	Y_OUT[6]
10	Y_OUT[7]
11	GND
12	C_OUT[0]
13	C_OUT[1]
14	C_OUT[2]
15	C_OUT[3]
16	GND
17	C_OUT[4]
18	C_OUT[5]
19	C_OUT[6]
20	C_OUT[7]
21	GND
22	VSYN
23	HSYN
24	GND
25	VCLK_OUT
26	GND
27	GND
28	GND
29	GND
30	GND
31	POWER IN : +12VDC
32	POWER IN : +12VDC
33	POWER IN : +12VDC
34	GND
35	TXD : CMOS 5.0V Send Data(Compatible 3.3V) RXD : CMOS 5.0V Read Data(Compatible 3.3V)
36	

J303

Pin no.	J303(Micro Co-Axial) / KEL Co.USL00-30L-C
1	TX_OUT3+
2	TX_OUT3-
3	TX_CLKOUT+
4	TX_CLKOUT-
5	TX_OUT2+
6	TX_OUT2-
7	TX_OUT1+
8	TX_OUT1-
9	TX_OUT0+
10	TX_OUT0-
11	GND
12	TXD : CMOS 5.0V Send Data(Compatible 3.3V)
13	RXD : CMOS 5.0V Read Data(Compatible 3.3V)
14	+12VDC
15	+12VDC
16	+12VDC
17	+12VDC
18	+12VDC
19	GND
20	GND
21	TX_OUT7+ : Single out mode (open)
22	TX_OUT7- : Single out mode(open)
23	TX_OUT6+ : Single out mode(open)
24	TX_OUT6- :Single out mode(open)
25	CVBS Output
26	RESET_IN : Reset - Low(GND), Normal(1.8V)
27	TX_OUT5+
28	TX_OUT5-
29	TX_OUT4+
30	TX_OUT4-



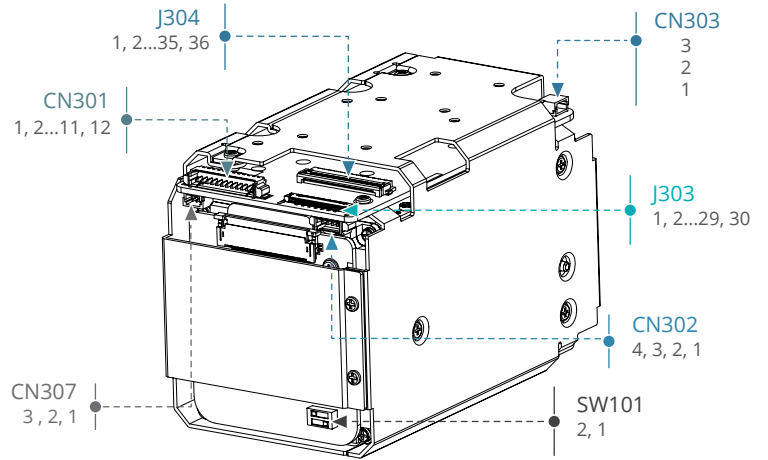
Pin assignment(HZ5518/30/36W)

ZOOM CAMERA

•Pin Type:

CN301/CN302/CN304/CN307/J303/J304

•Pin Location



•Available Pin Type

*ATC-HZ5530W-LP, ATC-HZ5536W-LP, ATC-HZ5518W-LP :

CN301/CN302/CN303/CN307/J303/J304

*ATC-HZ5518W-U : CN302/CN303/J303

SW101 is fixed the sensor slave
(Switch 1: OFF, Switch 2: ON)
It cannot be operated when using the other settings.

CN301

Pin no.	CN301(External I/O) / Molex : 53261-1271
1	Vsync_OUT
2	Hsync_OUT
3	VCLK_OUT
4	GND
5	Vsync_IN
6	Hsync_IN
7	VCLK_IN
8	GND
9	Trig_Common
10	Trigger_IN
11	Strobe_Common
12	Strobe_IN

CN302

Pin no.	CN302(CVBS) / Molex: 53261-0471
1	POWER IN : +12VDC
2	GND
3	VIDEO : CVBS Output
4	AD_KEY

CN303

Pin no.	CN303(External D&N) / JST: SM03B-SRSS-TB
1	Ext_D&N : External D&N Input
2	GND
3	+3.3V Out(For sensor)

CN307

Pin no.	CN307(RS-232 TTL) / JST: SM03B-SRSS-TB
1	GND
2	RXD : CMOS 3.3V Read Data
3	TXD : CMOS 3.3V Send Data

J304

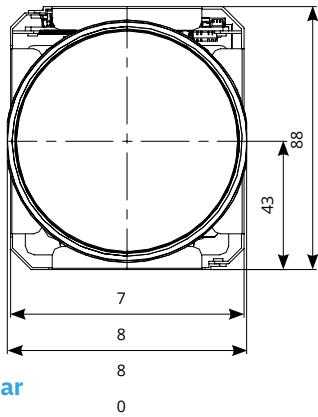
Pin no.	J304(FFC Connector) / Hirose : FH12-36S-05SH(55)
1	GND
2	Y_OUT[0]
3	Y_OUT[1]
4	Y_OUT[2]
5	Y_OUT[3]
6	GND
7	Y_OUT[4]
8	Y_OUT[5]
9	Y_OUT[6]
10	Y_OUT[7]
11	GND
12	C_OUT[0]
13	C_OUT[1]
14	C_OUT[2]
15	C_OUT[3]
16	GND
17	C_OUT[4]
18	C_OUT[5]
19	C_OUT[6]
20	C_OUT[7]
21	GND
22	VSYNC
23	HSYNC
24	GND
25	VCLK_OUT
26	GND
27	GND
28	GND
29	GND
30	GND
31	POWER IN : +12VDC
32	POWER IN : +12VDC
33	POWER IN : +12VDC
34	GND
35	TXD : CMOS 5.0V Send Data(Compatible 3.3V) RXD : CMOS 5.0V Read Data(Compatible 3.3V)
36	RXD : CMOS 5.0V Read Data(Compatible 3.3V)

J303

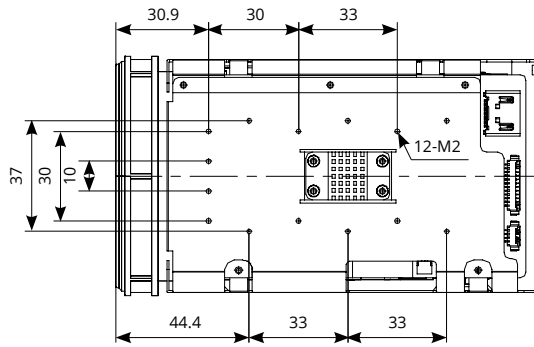
Pin no.	J303(Micro Co-Axial) / KEL Co.USL00-30L-C
1	TX_OUT3+
2	TX_OUT3-
3	TX_CLKOUT+
4	TX_CLKOUT-
5	TX_OUT2+
6	TX_OUT2-
7	TX_OUT1+
8	TX_OUT1-
9	TX_OUT0+
10	TX_OUT0-
11	GND
12	TXD : CMOS 5.0V Send Data(Compatible 3.3V) RXD : CMOS 5.0V Read Data(Compatible 3.3V)
13	
14	+12VDC
15	+12VDC
16	+12VDC
17	+12VDC
18	+12VDC
19	GND
20	GND
21	TX_OUT7+ : Single out mode (open)
22	TX_OUT7- : Single out mode(open)
23	TX_OUT6+ : Single out mode(open)
24	TX_OUT6- : Single out mode(open)
25	CVBS Output
26	RESET_IN : Reset - Low(GND), Normal(1.8V)
27	TX_OUT5+
28	TX_OUT5-
29	TX_OUT4+
30	TX_OUT4-

ATC-UZ5707U-H

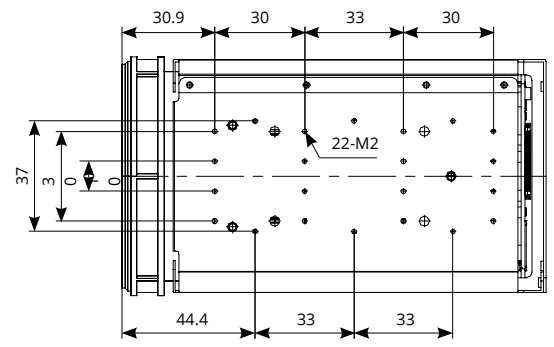
Front



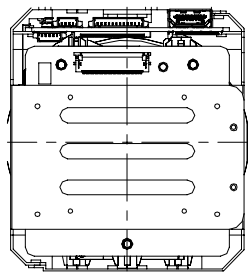
Top



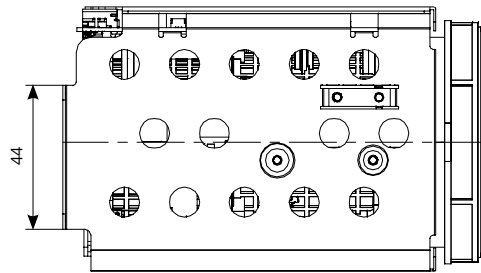
Bottom



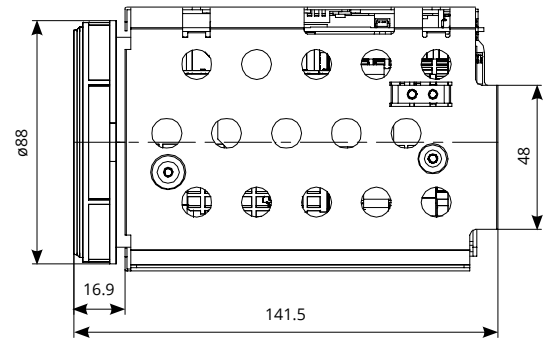
Rear



Left

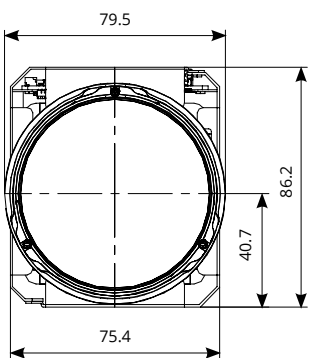


Right

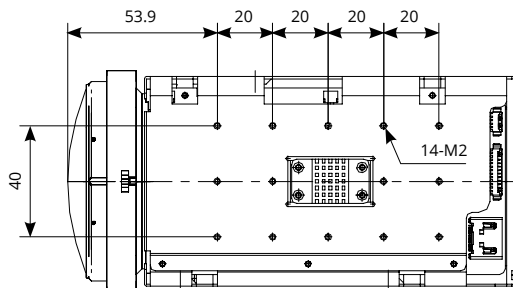


ATC-UZ5722U-H

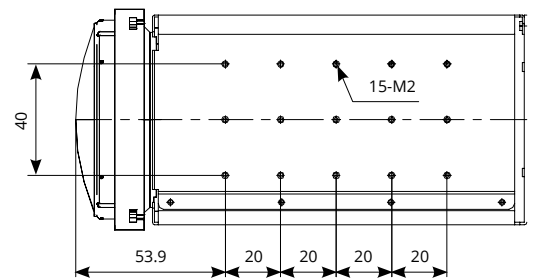
Front



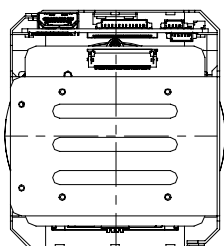
Top



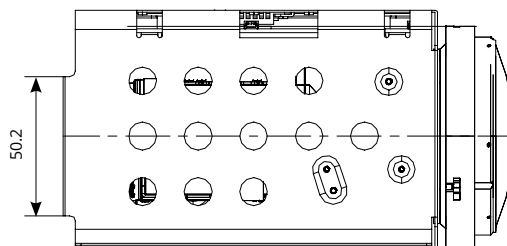
Bottom



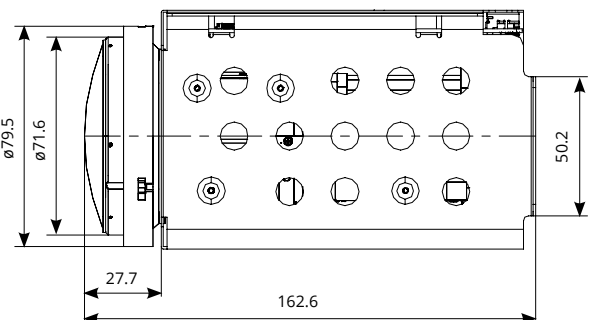
Rear



Left

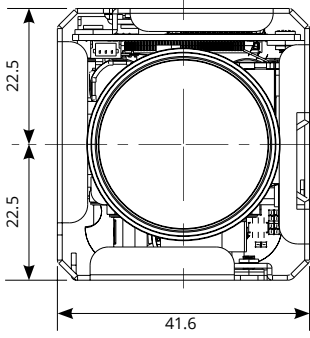


Right

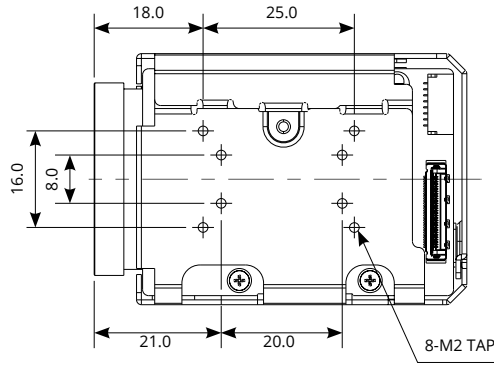


ATC-HZ5510C-L/P/LC/PC/C

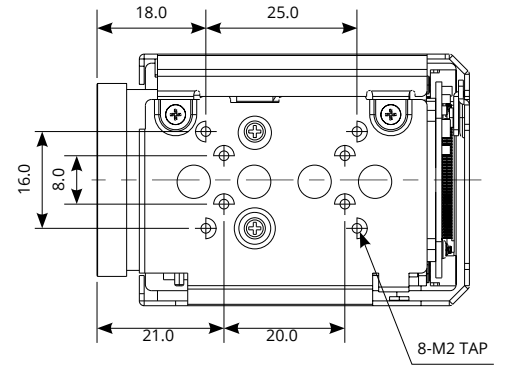
Front



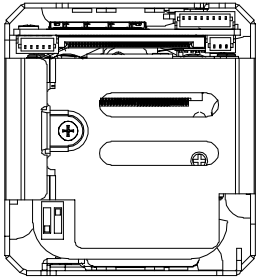
Top



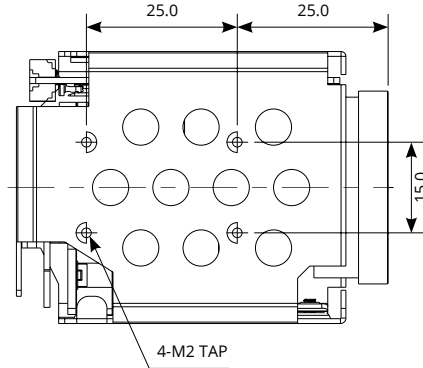
Bottom



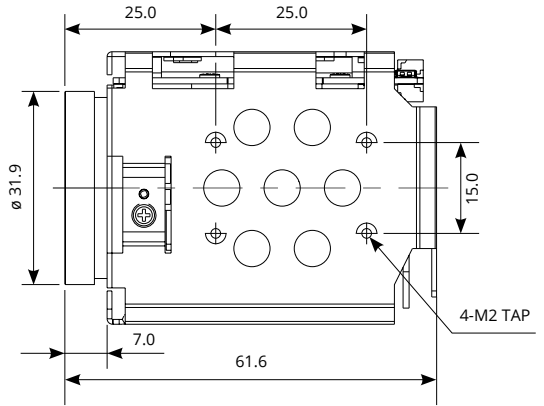
Rear



Left

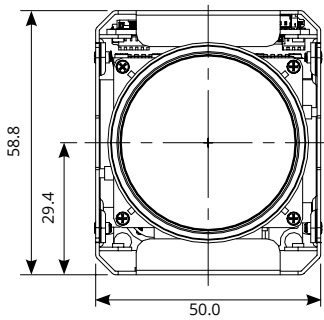


Right

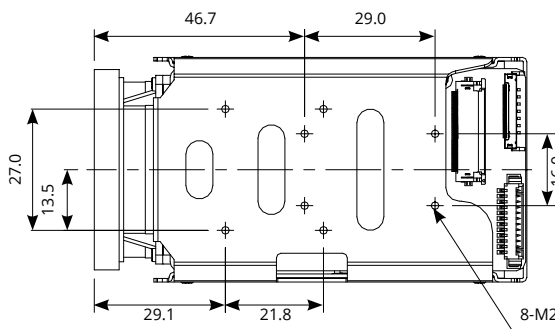


ATC-HZ5530Z-LP

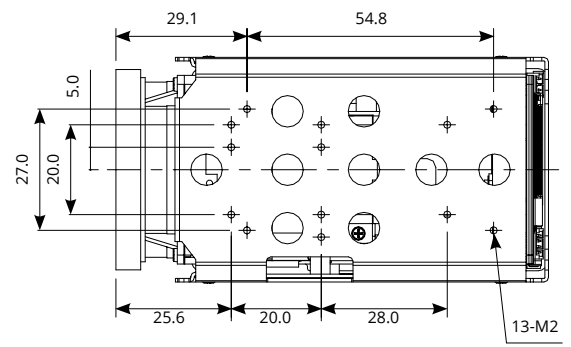
Front



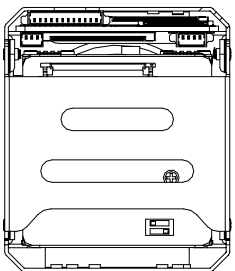
Top



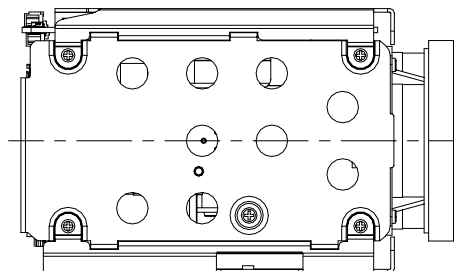
Bottom



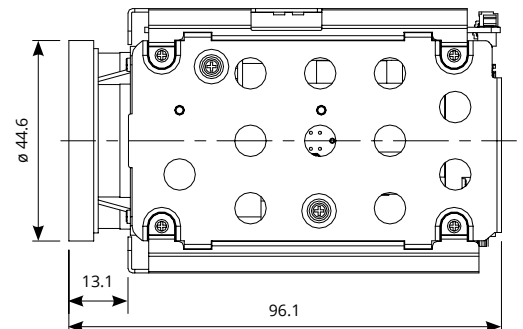
Rear



Left

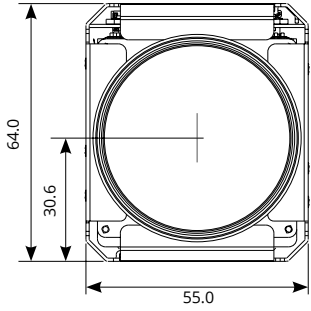


Right

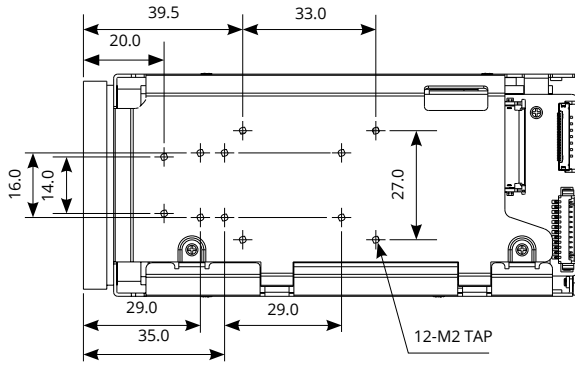


ATC-HZ5530W/36W-LP

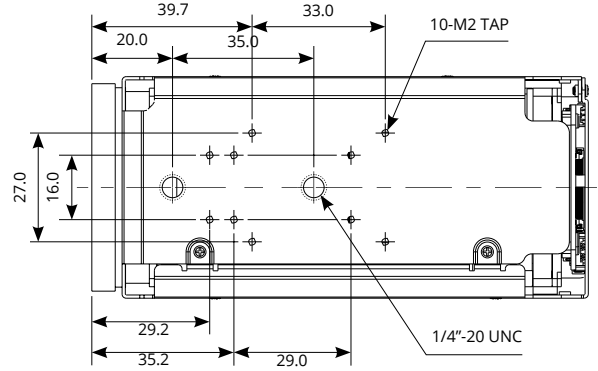
Front



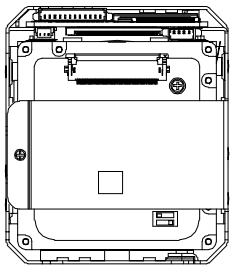
Top



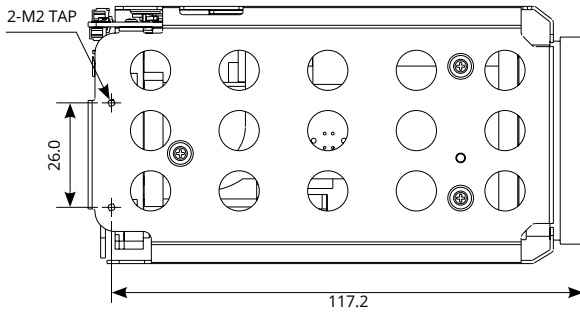
Bottom



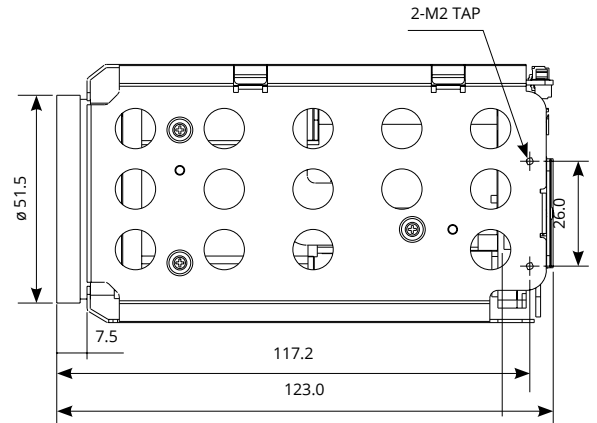
Rear



Left

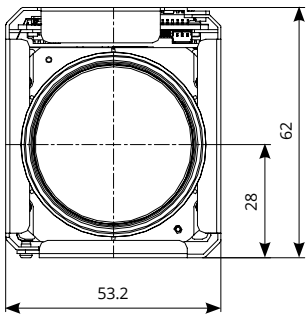


Right

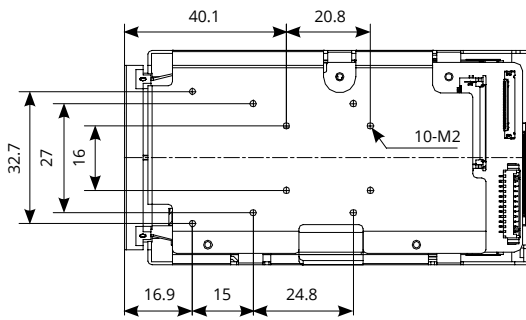


ATC-HZ8340T-LC

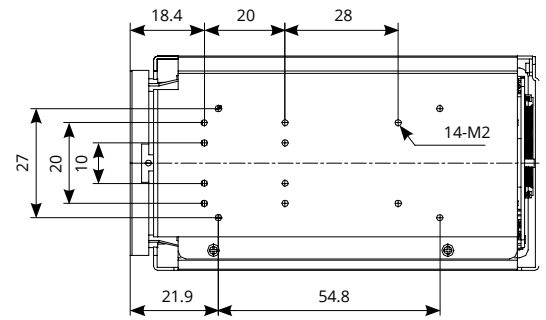
Front



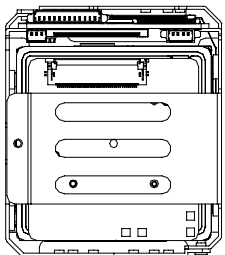
Top



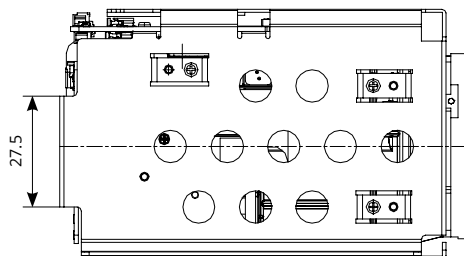
Bottom



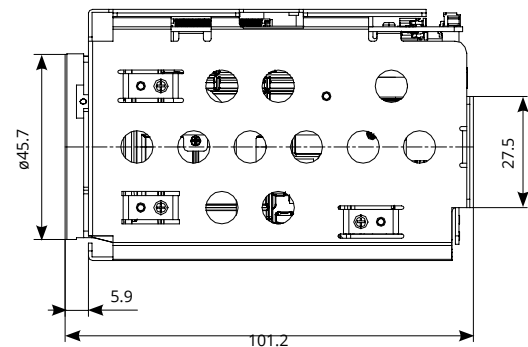
Rear



Left

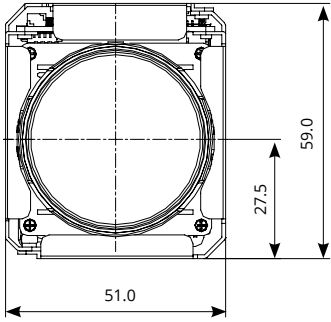


Right

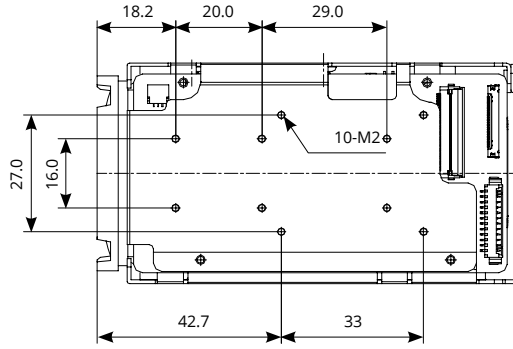


ATC-HZ5518W-LP

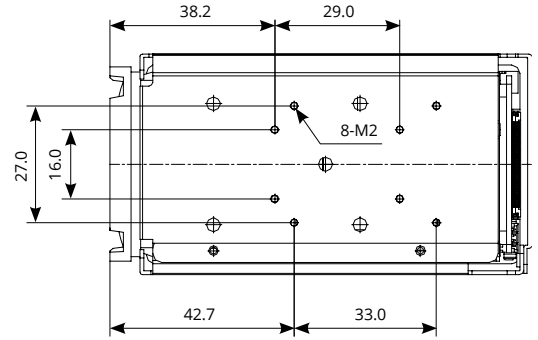
Front



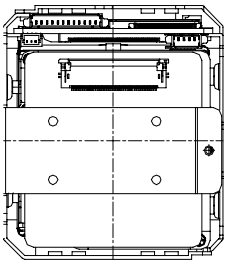
Top



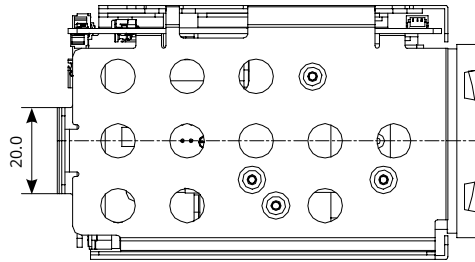
Bottom



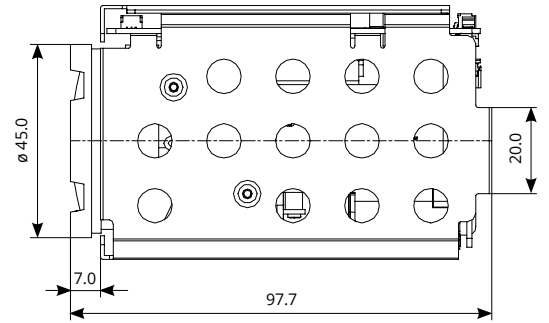
Rear



Left

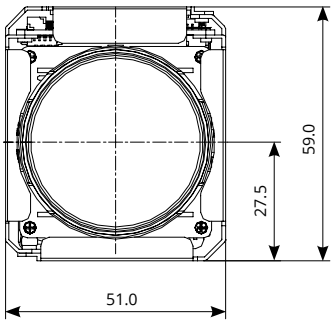


Right

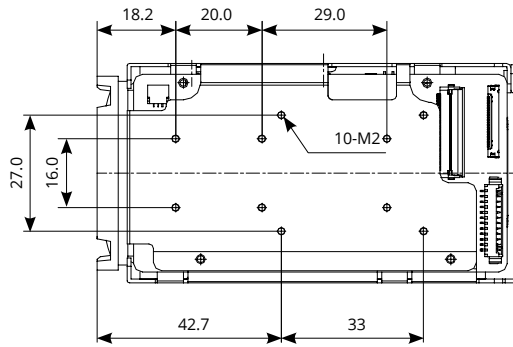


ATC-HZ5518W-U

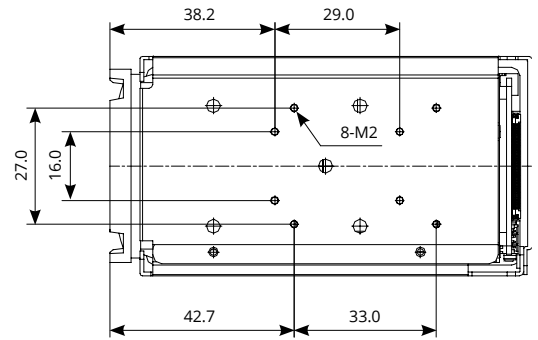
Front



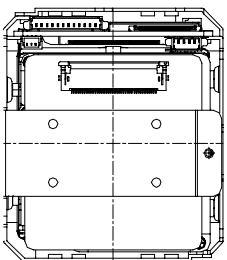
Top



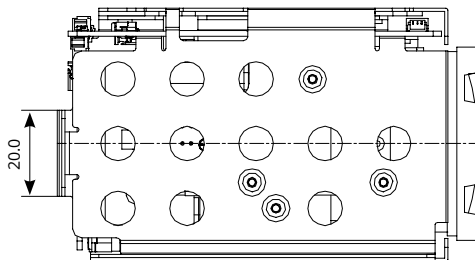
Bottom



Rear



Left



Right

