

# STYLE REJ SPOOL

HAND BUILT WIDE ARCH DESIGN EXPANSION JOINT “MADE IN USA”

**For demanding applications, and excessive pipe movements, Global-Flex Style REJ-Spool wide arch expansion joints provide greater flexibility and longer service life.**

**Global-Flex Style REJ** expansion joints are the ultimate in quality hand-built construction. Premium grade elastomers provide long service life in the most demanding applications. For superior performance and pressure ratings **Global-Flex Style REJ** expansion joints have a minimum **4 to 1 safety factor** built in to their rated operating pressures.

**Global-Flex Style REJ** expansion joints offer an improved ‘wide arch’ design. Face-to-face measurements of the **Global-Flex style REJ** expansion joints are equal to that of standard or multi-arch joints, but will **accommodate much greater movements**.

The **Global-Flex Style REJ** expansion joints are manufactured domestically, with premium grade materials. Construction consists of a tube, integral duck and rubber flanges, carcass, internal steel reinforcements, cover, and steel retaining rings. The tube consists of a single piece of leak proof lining extending flange-to-flange. Carcass construction is a strong, bias-ply, high-strength woven polyester fabric between the tube and cover. The fabric is thoroughly impregnated with a special friction compound to give maximum adhesion under pressure, vacuum, and stress conditions. Special steel rings embedded in the carcass provide strength while under pressure or vacuum. Also the wide arch design provides a self-flushing profile, reducing turbulence, and sediment build-up.

**The Global-Flex Style REJ** comes standard with a chlorobutyl tube and a Hypalon cover. These elastomers provide excellent resistance against heat



and a wide variety of fluids. The standard Hypalon cover, versus Hypalon paint, provides extra protection against abrasion, ozone, weathering, heat and many chemicals.

Other elastomers available are gum, natural rubber, EPDM, Nitrile, Neoprene, Viton, and Teflon. Galvanized steel split retaining rings are standard, but can also be ordered in stainless steel.

**Global-Flex Style REJ** are available in filled arches, multiple arches, sleeve type, tapered (eccentric or concentric) and offset constructions. Requirements of up to 50% greater pressures and/or temperatures up to 400 degrees F can also be accommodated. **Global-Flex Style REJ** expansion joints can be manufactured in accordance with ASTM designation FI 123-87 and meet all USCG requirements for shipboard service.

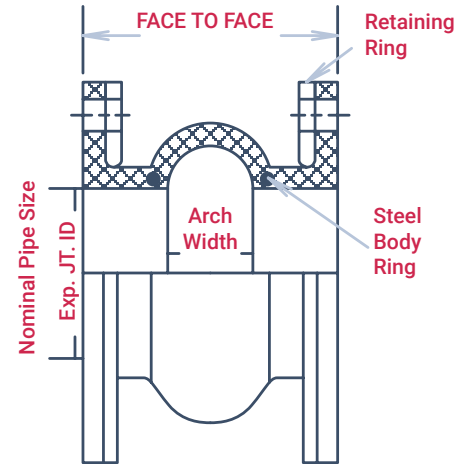
Control unit assemblies are always recommended in unanchored systems and in connection to spring mounted equipment. Properly installed, these units will protect against excessive elongation, and with optional sleeve, against over-compression—both of which can seriously damage rubber expansion joints.

# STYLE REJ SPOOL

## “MADE IN USA”

### Hand-Built Wide Arch Expansion Joint

Global-Flex Style REJ expansion joints are manufactured to meet or exceed the pressure, movement, and dimensional ratings of the Rubber Expansion Joint Division, Fluid Sealing Association.



### SPECIFICATIONS

#### ALLOWABLE MOVEMENTS/WEIGHTS STYLE REJ SINGLE ARCH

SIZE	FACE TO FACE	WORKING PRESSURE	MOVEMENTS				WEIGHT (LBS) RINGS INCLUDED
			COMPRESSION (Inches)	ELONGATION (Inches)	LATERAL (Inches)	ANGULAR DEGREE	
2	6	225	1.75	.75	.75	35	8.0
2-1/2	6	225	1.75	.75	.75	30	10.0
3	6	225	1.75	.75	.75	30	11.5
4	6	225	1.75	.75	.75	25	15.5
5	6	225	1.75	.75	1.00	25	17.0
6	6	225	1.75	.75	1.00	20	20.0
8	6	225	1.75	.75	1.00	20	27.0
10	8	225	1.75	.75	1.00	15	39.0
12	8	225	1.75	.75	1.00	13	56.0
14	8	225	1.75	.75	1.00	11	65.0
16	8	160	1.75	.75	1.00	10	74.0
18	8	160	1.75	.75	1.00	9	85.0
20	8	130	1.75	.75	1.00	8	102.0
22	10	130	1.75	.75	1.00	7.8	114.0
24	10	130	1.75	1.00	1.00	7	125.0

STYLE REJ AVAILABLE IN SIZES UP TO 96" CONTACT GLOBAL-FLEX MFG

Temperature Limits for Continues Service	
REJ	250 deg F
REJ HT	300 deg F
REJ V	400 deg F
ALL JOINTS ARE RATED FOR FULL VACUUM SERVICE	

MINIMUM FACE -TO - FACE DIMENSIONS			
	REJ SINGLE F/F (INCH)	REJ-D F/F (INCH)	REJ-T F/F (INCH)
½ to 6	6	12	16
8	6	12	18
10	8	16	20
12	8	16	20
14 to 20	8	16	20
22 to 30	10	16	22

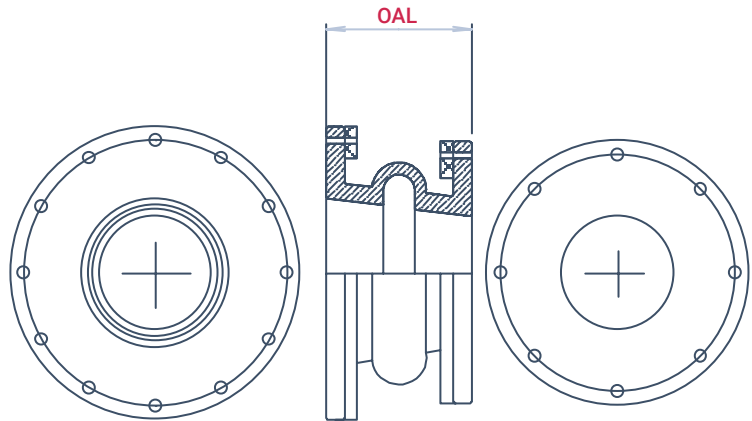
# STYLE CREJ SPOOL

## CONCENTRIC DESIGN

The Global-Flex Mfg series CREJ is designed to facilitate the transition of pipe sizes in most systems. The concentric design is used to mate differing pipe ID's where the centerline of the pipes match. 100% domestically constructed these joints are custom manufactured in a variety of elastomers and size configurations, to meet the necessary temperature, movement and pressure requirements of your system.

### Temperature Limits for Continuous Service

CREJ		250 Deg F
CREJ	H	300 Deg F
CREJ	V	400 Deg F



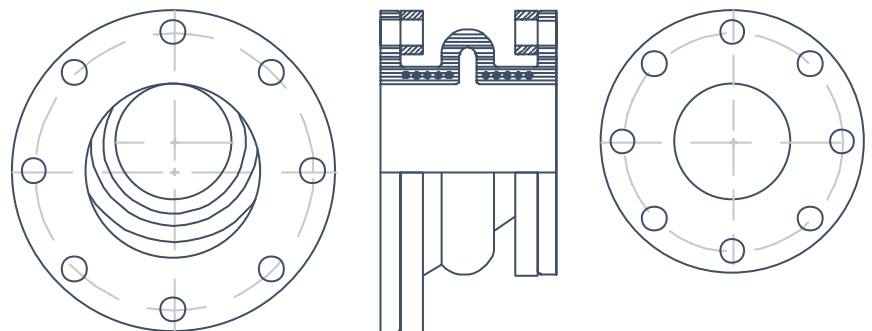
# STYLE EREJ SPOOL

## ECCENTRIC DESIGN

The Global-Flex Mfg series EREJ is another in the series of rubber expansion joints designed to help connect different size pipes in a system. The eccentric design is used in connections where the differing size pipes have no common centerline. 100% domestically constructed, these joints are custom manufactured in a variety of elastomers and size configurations, to meet the necessary temperature, movement and pressure requirements of your system.

### Temperature Limits for Continuous Service

EREJ		250 Deg F
EREJ	H	300 Deg F
REJ	V	400 Deg F



# STYLE REJM

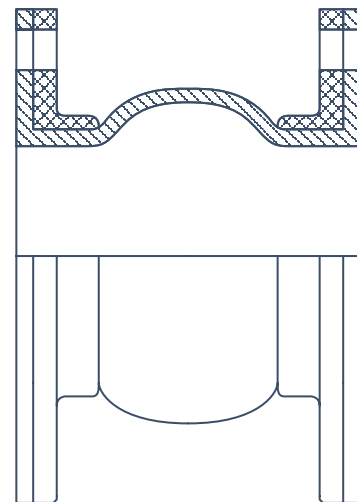
## RUBBER EXPANSION JOINT

**Global-Flex Mfg. Style REJM** expansion joints are the ultimate in quality molded construction. Premium grade elastomers provide long service life in the most demanding applications. For superior performance and pressure ratings **Global-Flex Style REJM** expansion joints have a minimum **4 to 1 safety factor** built in to their rated operating pressures. Working pressure up to 200 psi.

**Global-Flex Mfg. Style REJM** comes standard with a chlorobutyl tube and cover. These elastomers provide excellent resistance against heat and a wide variety of fluids.

### Features:

- Allow for greater motions capabilities than standard arch expansion joints.
- Excellent for absorbing thermal expansion, and eliminating vibration and sound.
- Gasket and packing not required.
- Absorbs water pulsations and protects start-up surge force vacuum ratings to 25 Hg.



I.D.	Face/ Face Inch	Flange O.D.	Bolt Cir Dia.	No of Bolt Holes	Bolt Hole Dia.	Working Pressure	Axial Comp	Axial Ext	Trav Defl	Weight
2	6	6	4.75	4	.75	200	1.75	.75	.75	4
2-1/2	6	7	5.5	4	.75	200	1.75	.75	.75	4.5
3	6	7.5	6.0	4	.75	200	1.75	.75	.75	5.5
4	6	9	7.5	8	.75	200	1.75	.75	.75	8
5	6	10	8.5	8	.875	200	1.75	.75	.75	9
6	6	11	9.5	8	.875	200	1.75	.75	1	11
8	6	13.5	11.75	8	.875	180	1.75	.75	1	15
10	8	16	14.25	12	1	180	1.75	.75	1	23
12	8	19	17	12	1	180	1.75	.75	1	34

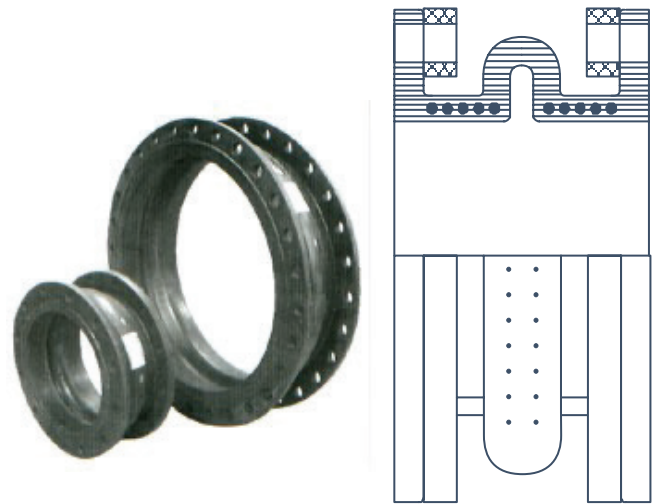
# STYLE REJZ LOW SPRING RATE RUBBER EXPANSION JOINT

**Global-Flex Mfg. Style REJZ** expansion joints are the ultimate for use in low spring rate applications. The light weight construction lowers forces exerted on the mating flanges. This improved flexibility allows for easier installation.

**Global-Flex Mfg. Style REJZ** comes standard with an EPDM tube and cover, while other compound's are available.

## Features:

- Increased movements capabilities.
- Excellent pressure capabilities.
- Light weight construction.
- Absorbs water pulsations and start-up surge force.
- Excellent for PVC pipe runs.



I.D.	Face/ Face Inch	Flange O.D.	Bolt Cir Dia.	No of Bolt Holes	Bolt Hole Dia.	Working Pressure	Axial Comp	Axial Ext	Lateral	Ang Deg
2	6	6	4.75	4	.75	225	1.50	.63	.75	25.00
2-1/2	6	7	5.5	4	.75	225	1.50	.63	.75	20.25
3	6	7.5	6.0	4	.75	225	1.50	.63	.75	18.00
4	6	9	7.5	8	.75	225	1.50	.63	.75	14.25
5	6	10	8.5	8	.875	225	1.50	.63	.75	13.00
6	6	11	9.5	8	.875	225	1.50	.63	.75	12.25
8	6	13.5	11.75	8	.875	210	1.50	.63	.75	12.00
10	8	16	14.25	12	1.0	210	2.25	.75	1.0	11.90
12	8	19	17	12	1.0	210	2.25	.75	1.0	11.55
14	8	21	18.75	12	1.0	150	2.25	.75	1.0	11.30
16	8	23.5	21.25	16	1.0	150	2.25	.75	1.0	10.12
18	8	25.0	22.75	16	1.0625	150	2.25	.75	1.0	8.95

# STYLE REJ-TN RUBBER TEFLON EXPANSION JOINT

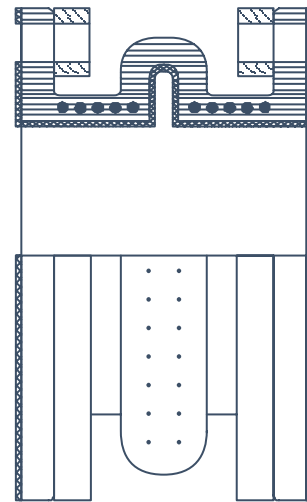
## “MADE IN USA ALL DOMESTIC”

**Global-Flex Mfg. Style REJ-TN** expansion joints combined the best features of Teflon with the best features of elastomeric expansion joints. Joints are available in 1” up to 24” I.D. in standard face-to-face dimensions, or special lengths. Also available in multiple arch configurations or as straight pipe.

**Style REJ-TN** joints are recommended for use in the chemical and pulp paper industries because of their capabilities to resist corrosive attack along with high temperatures and pressures.

### Features:

- Features:
- Chlorine Resistance
- Anti-stick properties
- Noise and Vibration dampening
- High Flexibility
- Thermal Stability
- Resistance to age cracking
- High pressure ratings
- Temperature rating up to 400 F



I.D.	Face/ Face Inch	Flange O.D.	Bolt Cir Dia.	No of Bolt Holes	Bolt Hole Dia.	Arch Height/ Width		Working Pressure	Axial Comp	Axial Ext	Trav Defl	Weight
						D	D					
2	6	6	4.75	4	.75	1.25	1.75	225	1.75	.75	.75	4
2-1/2	6	7	5.5	4	.75	1.25	1.75	225	1.75	.75	.75	4.5
3	6	7.5	6.0	4	.75	1.25	1.75	225	1.75	.75	.75	5.5
4	6	9	7.5	8	.75	1.25	1.75	225	1.75	.75	.75	8
5	6	10	8.5	8	.875	1.25	1.75	225	1.75	.75	.75	9
6	6	11	9.5	8	.875	1.25	1.75	225	1.75	.75	1	11
8	6	13.5	11.75	8	.875	1.5	1.75	225	1.75	.75	1	15
10	8	16	14.25	12	1	1.5	1.75	225	1.75	.75	1	23
12	8	19	17	12	1	1.5	1.75	225	1.75	.75	1	34

# SERIES SE DE SN DN SPHERES

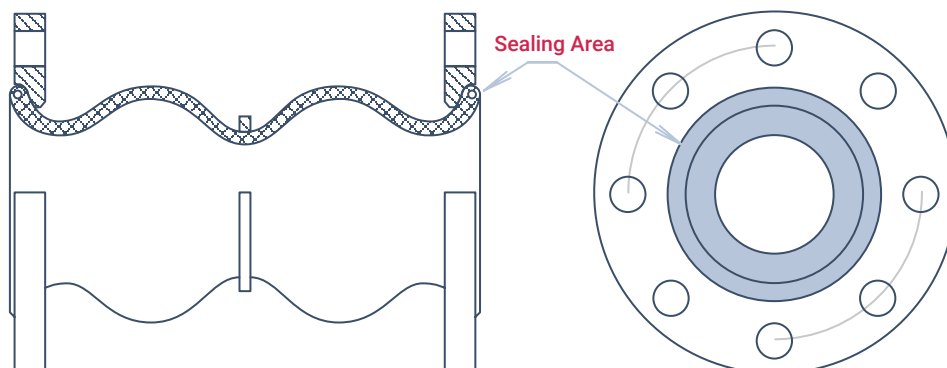
**A long time work horse of light duty and HVAC applications.**

The Global-Flex SE, DE, SN, & DN series of rubber expansion joints continues to offer an economical solution to handle vibration, sound attenuation and movement in piping systems (available in sizes 1-1/2 through 24 inch).

The imported molded design is readily available in standard face to face dimensions and an ideal choice when used as a pump connector. The standard design is available in single or double arch the body is constructed using either a polyester reinforced Neoprene or EPDM elastomer.

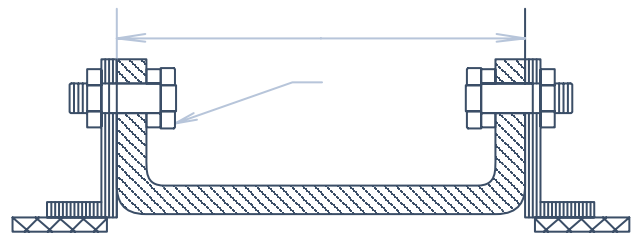
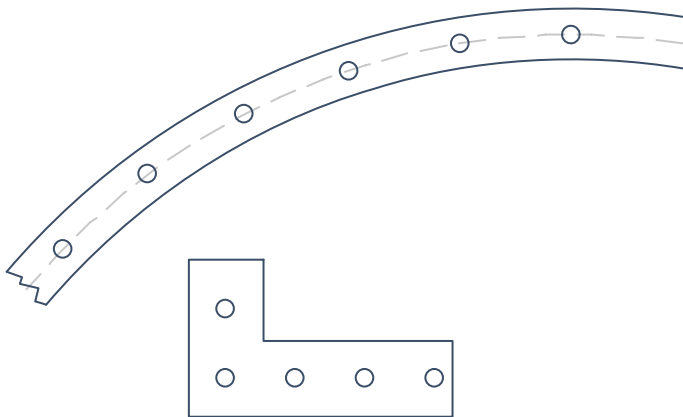
In addition, the integrated, 150# plated carbon steel rotating flanges make connections quick and simple.

**Global-Flex Mfg.** offers several flange options - stainless steel, 300 #, and metric drilling is available upon request.



# STYLE REJU, REJW AND REJV RUBBER DUCTING JOINTS

**Global-Flex Mfg. Style REJU** expansion joints are elastomeric in both body and flange and are available in Neoprene, Hypalon, EPDM, Butyl, or fluor-elastomer Viton. Thinner in overall gauge than pressure piping expansion joints to protect thin wall duct systems. Standard circular expansion joints have integral duck and rubber flanges, drilled to order. The rectangular style also incorporates rubber flanges, utilizing square corners and special drilling. "Continuous corners" eliminate splices through the body of the expansion joint near the corners. The inherent flexibility of rubber provides long service life even in applications of high vibration or flutter. Style "REJU", U-joint without arch, designed for normal ducting movements. Metallic backing rings or bars are required. Typical retaining bars are made of 3/8" x 2" A-36 chamfered or rounded edge bar stock. Tube & Cover Neoprene, EPDM, Hypalon, Butyl, or Viton Reinforcement Synthetic fiber reinforcement pressure range 3 PSIG to 5 PSIG depending on number of plies.



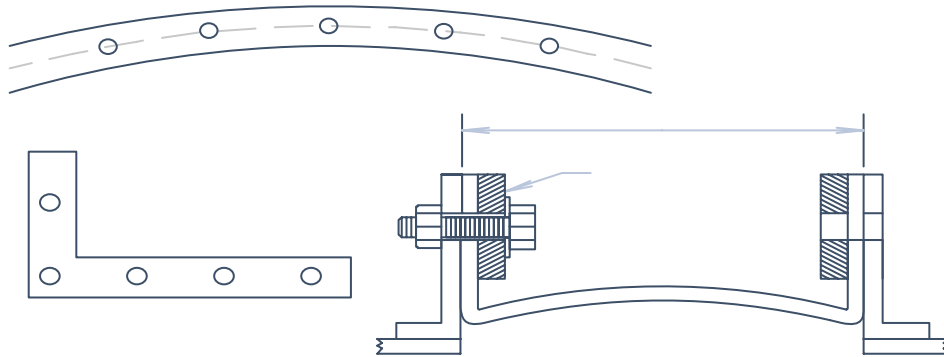
**Tube & Cover:** EPDM, Hypalon, Butyl, or Viton  
**Reinforcement:** Synthetic fiber reinforcement  
**Pressure Range:** 3 PSIG to 5 PSIG (Depending on number of plies)  
**Accessories:** Recommended Metallic retaining rings or bars  
**Compression:** 2-1/4" to 5" (Depending on size)  
**Face-To-Face Dimension:** 6", 9", 12", or 16"  
**Temperature Rating:** 250°F to 400°F (Depending on elastomer)



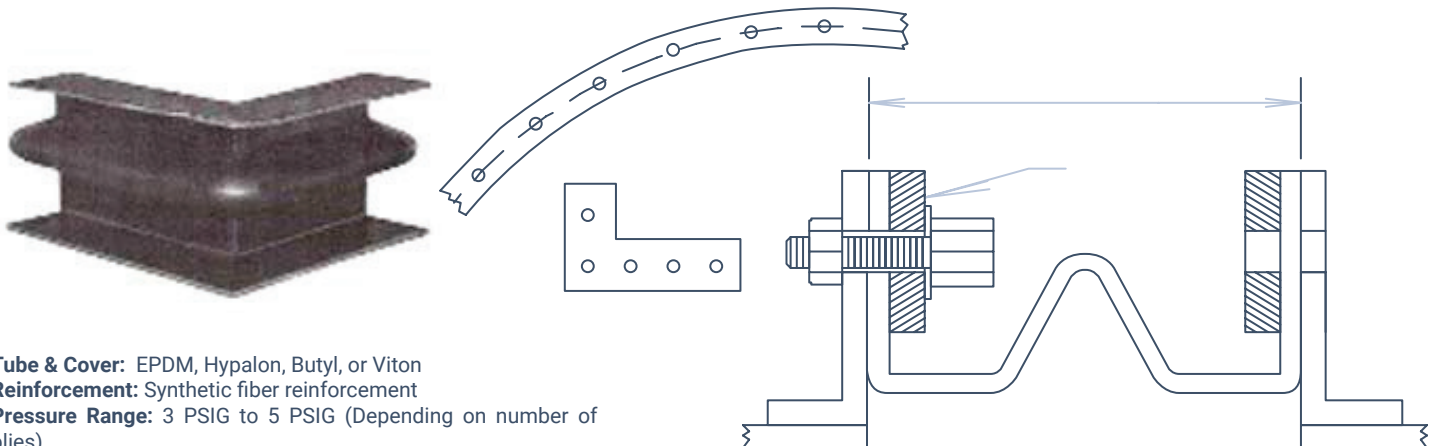
**Global-Flex Mfg. Style REJW** expansion joints are elastomeric in both body and flange and are available in Neoprene, Hypalon, EPDM, Butyl, or flour-elastomer Viton. Thinner in overall gauge than pressure piping expansion joints to protect thin wall duct systems. Standard circular expansion joints have integral duck and rubber flanges, drilled to order. The rectangular style also incorporates rubber flanges, utilizing square corners and special drilling. "Continuous corners" eliminate splices through the body of the expansion joint near the corners. The inherent flexibility of rubber provides long service life even in applications of high vibration or flutter. Style "REJW", a rounded arch type joint, is designed for increased axial movement capabilities without pre-extension or compression metallic backing rings or bars are required. Typical retaining bars are made of 3/8" x 2" A-36 chamfered or rounded edge bar stock.



**Tube & Cover:** EPDM, Hypalon, Butyl, or Viton  
**Reinforcement:** Synthetic fiber reinforcement  
**Pressure Range:** 3 PSIG to 5 PSIG (Depending on number of plies)  
**Accessories:** Recommended Metallic retaining rings or bars  
**Compression:** 2-1/4" to 5" (Depending on size)  
**Face-To-Face Dimension:** 6", 9", 12", or 16"  
**Temperature Rating:** 250°F to 400°F (Depending on elastomer)



**Global-Flex Mfg. Style REJV** expansion joints are elastomeric in both body and flange and are available in Neoprene, Hypalon, EPDM, Butyl, or flour-elastomer Viton. Thinner in overall gauge than pressure piping expansion joints to protect thin wall duct systems. Standard circular expansion joints have integral duck and rubber flanges, drilled to order. The rectangular style also incorporates rubber flanges, utilizing square corners and special drilling. "Continuous corners" eliminate splices through the body of the expansion joint near the corners. The inherent flexibility of rubber provides long service life even in applications of high vibration or flutter. Style "REJV", a sharp arch type joint, is designed for large movement capabilities without pre-extension or compression. Metallic backing rings or bars are required. Typical retaining bars are made of 3/8" x 2" A-36 chamfered or rounded edge bar stock.



**Tube & Cover:** EPDM, Hypalon, Butyl, or Viton  
**Reinforcement:** Synthetic fiber reinforcement  
**Pressure Range:** 3 PSIG to 5 PSIG (Depending on number of plies)  
**Accessories:** Recommended Metallic retaining rings or bars  
**Compression:** 2-1/4" to 5" (Depending on size)  
**Face-To-Face Dimension:** 6", 9", 12", or 16"  
**Temperature Rating:** 250°F to 400°F (Depending on elastomer)