

# STYLE REJM

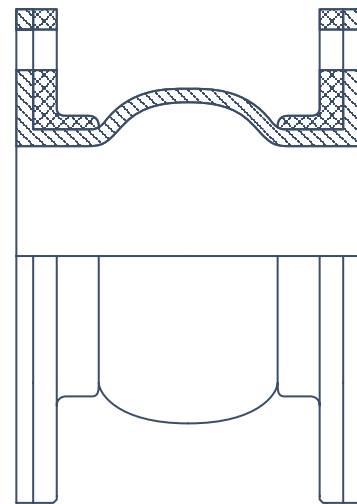
## RUBBER EXPANSION JOINT

**Global-Flex Mfg. Style REJM** expansion joints are the ultimate in quality molded construction. Premium grade elastomers provide long service life in the most demanding applications. For superior performance and pressure ratings **Global-Flex Style REJM** expansion joints have a minimum **4 to 1 safety factor** built in to their rated operating pressures. Working pressure up to 200 psi.

**Global-Flex Mfg. Style REJM** comes standard with a chlorobutyl tube and cover. These elastomers provide excellent resistance against heat and a wide variety of fluids.

### Features:

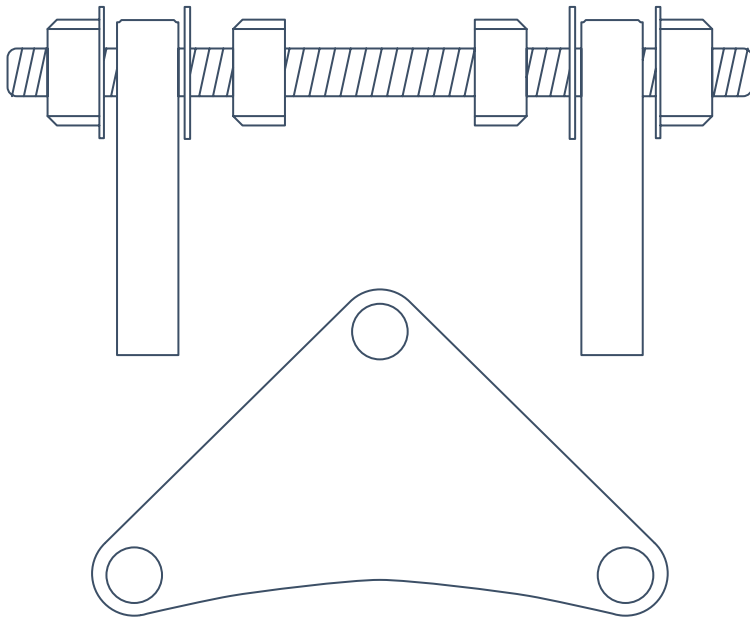
- Allow for greater motions capabilities than standard arch expansion joints.
- Excellent for absorbing thermal expansion, and eliminating vibration and sound.
- Gasket and packing not required.
- Absorbs water pulsations and protects start-up surge force vacuum ratings to 25 Hg.



I.D.	Face/ Face Inch	Flange O.D.	Bolt Cir Dia.	No of Bolt Holes	Bolt Hole Dia.	Working Pressure	Axial Comp	Axial Ext	Trav Defl	Weight
2	6	6	4.75	4	.75	200	1.75	.75	.75	4
2-1/2	6	7	5.5	4	.75	200	1.75	.75	.75	4.5
3	6	7.5	6.0	4	.75	200	1.75	.75	.75	5.5
4	6	9	7.5	8	.75	200	1.75	.75	.75	8
5	6	10	8.5	8	.875	200	1.75	.75	.75	9
6	6	11	9.5	8	.875	200	1.75	.75	1	11
8	6	13.5	11.75	8	.875	180	1.75	.75	1	15
10	8	16	14.25	12	1	180	1.75	.75	1	23
12	8	19	17	12	1	180	1.75	.75	1	34

# STYLE # CR

## Control Rods

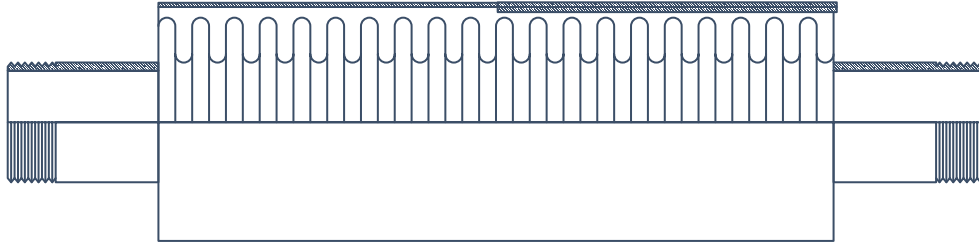


Part-Number	Size Inches
CR-150-CS	1-1/2" X 6"
CR-200-CS	2" X 6"
CR-250-CS	2-1/2" X 6"
CR-300-CS	3" X 6"
CR-400-CS	4" X 6"
CR-500-CS	5" X 6"
CR-600-CS	6" X 6"
CR-800-CS	8" X 6"
CR-1000-CS	10" X 8"
CR-1200-CS	12" X 8"
CR-1400-CS	14" X 8"
CR-1600-CS	16" X 8"
CR-1800-CS	18" X 8"
CR-2000-CS	20" X 8"
CR-2400-CS	24" X 8"

CONTROL UNIT				NOMINAL PIPE SIZE EXP JT ID INCH	MAXIMUM SURGE OR TEST PRESSURE OF THE SYSTEM				
PLATE THICKNESS INCHES	ROD DIAMETER INCHES	STANDARD CONTROL UNITS ASSEMBLY OF:			NUMBER OF CONTROL RODS RECOMMENDED				
		RODS	PLATES		2	3	4	6	8
.375	.500	2	4	.50	1328	--	--	--	--
.375	.500	2	4	.75	1106	--	--	--	--
.375	.500	2	4	1.0	949	--	--	--	--
.375	.500	2	4	1.25	830	--	--	--	--
.375	.500	2	4	1.50	510	--	--	--	--
.375	.625	2	4	2	661	--	--	--	--
.375	.625	2	4	2.5	529	--	--	--	--
.375	.625	2	4	3	441	--	--	--	--
.375	.625	2	4	3.5	365	547	729	--	--
.375	.625	2	4	4	311	467	622	--	--
.375	.625	2	4	5	235	353	470	--	--
.500	.625	2	4	6	186	278	371	--	--
.500	.750	2	4	8	163	244	329	--	--
.750	.875	2	4	10	163	144	325	488	--
.750	1.00	2	4	12	160	240	320	481	--
.750	1.00	2	4	14	112	167	223	335	--
.750	1.125	2	4	16	113	170	227	340	453
.750	1.125	2	4	18	94	141	187	281	375
.750	1.125	2	4	20	79	118	158	236	315
1.00	1.250	2	4	22	85	128	171	256	342
1.00	1.250	2	4	24	74	110	147	221	294

# STYLE # CM

## Compensators Male Pipe Thread



### CROSS REFERENCE

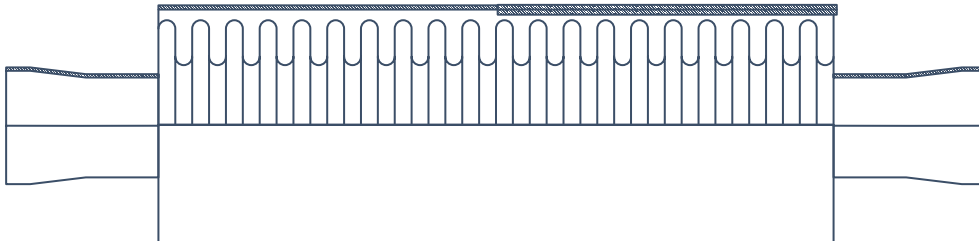
Hyspan  
8500  
Metraflex  
HP

Senior-Flexonics  
H & HB  
Unisource  
EC-MMT

Part-Number	Size Inches
CM-075	3/4 X 12-1/8
CM-100	1 X 12-1/8
CM-125	1-1/4 X 14-1/8
CM-150	1-1/2 X 14-1/8
CM-200	2 X 14-1/8
CM-250	2-1/2 X 15-1/2
CM-300	3 X 15-3/16
CM-400	4 X 15-3/16

# STYLE # CMS

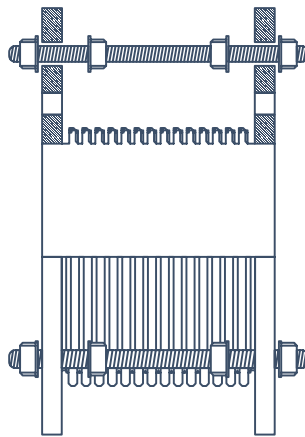
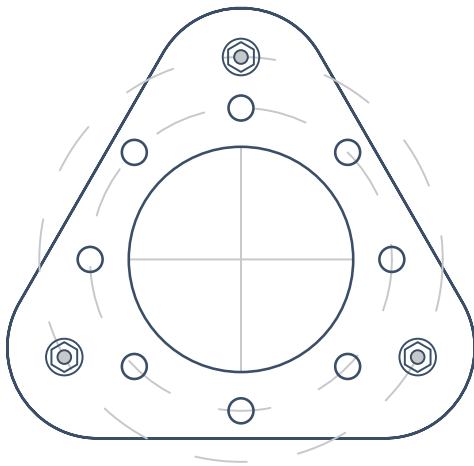
## Compensators Sweat Ends Bronze



Part-Number	Size Inches
CS-075	3/4 X 12-1/2
CS-100	1 X 12-1/2
CS-125	1-1/4 X 13-13/16
CS-150	1-1/2 X 13-13/16
CS-200	2 X 13-13/16
CS-250	2-1/2 X 14-7/16
CS-300	3 X 14-7/16

# STYLE # PB

## Multi Ply Bellows Pump Connectors Flange and Tie Rods



Part-Number	Size Inches
<a href="#"><u>PB-200</u></a>	2 X 4-3/8 FF
<a href="#"><u>PB-250</u></a>	2-1/2 X 4-3/8 FF
<a href="#"><u>PB-300</u></a>	3 X 4-2/8 FF
<a href="#"><u>PB-400</u></a>	4 X 4-5/8 FF
<a href="#"><u>PB-500</u></a>	5 X 4-7/8 FF
<a href="#"><u>PB-600</u></a>	6 X 5 FF
<a href="#"><u>PB-800</u></a>	8 X 5-7/8 FF
<a href="#"><u>PB-1000</u></a>	10 X 6-5/8 FF
<a href="#"><u>PB-1200</u></a>	12 X 6-5/8 FF

*Click the Part Number to View Complete Specs*

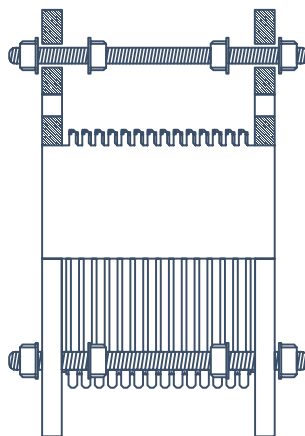
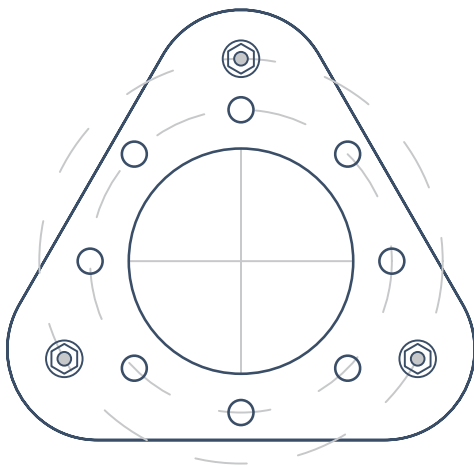
### CROSS REFERENCE

Hyspan  
Series 5500  
Microflex  
Style MBS

Senior Flexonics  
Series TCS  
Unisource  
BPC

# STYLE # PB-R

## Multi Ply Bellows Pump Connectors Flange and Tie Rods

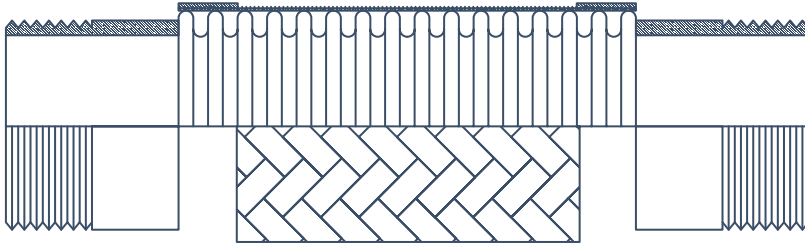


Part-Number	Size Inches
<a href="#"><u>PB-R-200</u></a>	2 X 6 FF
<a href="#"><u>PB-R-250</u></a>	2-1/2 X 6 FF
<a href="#"><u>PB-R-300</u></a>	3 X 6 FF
<a href="#"><u>PB-R-400</u></a>	4 X 6 FF
<a href="#"><u>PB-R-500</u></a>	5 X 6 FF
<a href="#"><u>PB-R-600</u></a>	6 X 6 FF
<a href="#"><u>PB-R-800</u></a>	8 X 6 FF
<a href="#"><u>PB-R-1000</u></a>	10 X 8 FF
<a href="#"><u>PB-R-1200</u></a>	12 X 8 FF

*Click the Part Number to View Complete Specs*

# STYLE # PM

Stainless Steel Pump Connectors Carbon Steel MPT



Part-Number	Size Inches
<a href="#"><u>PM-050</u></a>	1/2" X 6-1/2"
<a href="#"><u>PM-075</u></a>	3/4" X 7"
<a href="#"><u>PM-100</u></a>	1" X 8"
<a href="#"><u>PM-125</u></a>	1-1/4" X 8 1/2"
<a href="#"><u>PM-150</u></a>	1-1/2" X 9"
<a href="#"><u>PM-200</u></a>	2" X 10-1/2"
<a href="#"><u>PM-250</u></a>	2-1/2" X 12"
<a href="#"><u>PM-300</u></a>	3" X 14"
<a href="#"><u>PM-400</u></a>	4" X 16"

*Click the Part Number to View Complete Specs*

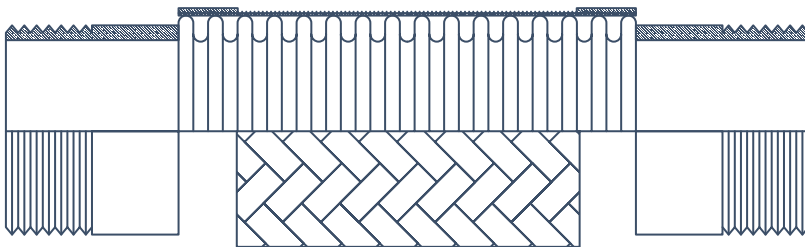
## CROSS REFERENCE

Mason/Mercer  
Style BSS PC-MN  
Flex Metal Hose  
MFC Series

Unisource  
UPCS-MMT  
Senior Flexonics  
PCS-MMT

# STYLE # PM-L

Stainless Steel Pump Connectors Carbon Steel MPT Long Length



Part-Number	Size Inches
<a href="#"><u>PML-050</u></a>	1/2" X 10"
<a href="#"><u>PML-075</u></a>	3/4" X 11"
<a href="#"><u>PML-100</u></a>	1" X 12"
<a href="#"><u>PML-125</u></a>	1-1/4" X 13"
<a href="#"><u>PML-150</u></a>	1-1/2" X 14"
<a href="#"><u>PML-200</u></a>	2" X 15"

*Click the Part Number to View Complete Specs*

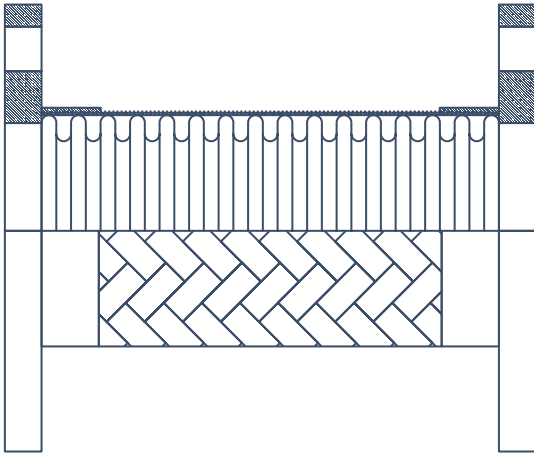
## CROSS REFERENCE

Mason/Mercer  
Style BSS PC-MN-L  
Flex Metal Hose

MFC-L Series  
Unisource  
UPCS-MMT-L

# STYLE # PF

## Stainless Steel Pump Connectors Carbon Steel 150 LB Flange



Part-Number	Size Inches
<a href="#"><u>PF-150</u></a>	1-1/2" X 9"
<a href="#"><u>PF-200</u></a>	2" X 9"
<a href="#"><u>PF-250</u></a>	2-1/2" X 9"
<a href="#"><u>PF-300</u></a>	3" X 9"
<a href="#"><u>PF-400</u></a>	4" X 9"
<a href="#"><u>PF-500</u></a>	5" X 11"
<a href="#"><u>PF-600</u></a>	6" X 11"
<a href="#"><u>PF-800</u></a>	8" X 12"
<a href="#"><u>PF-1000</u></a>	10" X 13"
<a href="#"><u>PF-1200</u></a>	12" X 14"

*Click the Part Number to View Complete Specs*

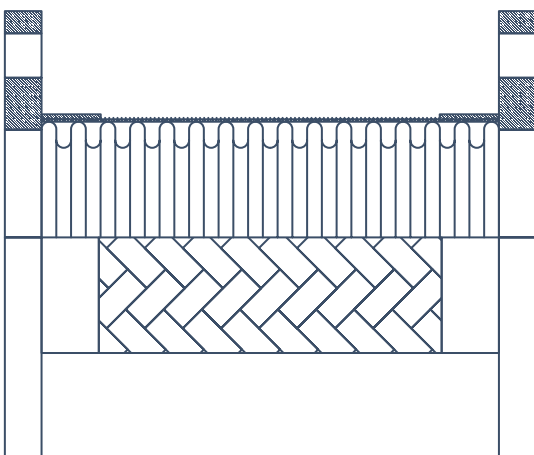
### CROSS REFERENCE

Mason  
 Style BSS PC-RF-150  
 Metraflex  
 Metra Mini

Senior Flexonics  
 PCS-FLG  
 Unisource  
 UPCS-FLG

# STYLE # PF-L

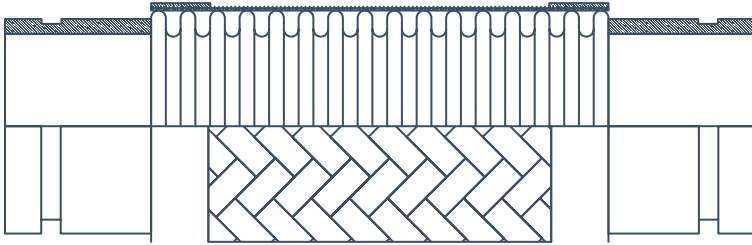
## Stainless Steel Pump Connectors Carbon Steel 150 LB Flange Long Length



Part-Number	Size Inches
PF-200-L	2" X 12"
PF-250-L	2-1/2" X 12"
PF-300-L	3" X 12"
PF-400-L	4" X 12"
PF-500-L	5" X 18"
PF-600-L	6" X 18"
PF-800-L	8" X 22"
PF-1000-L	10" X 22"

# STYLE # PG

Stainless Steel Pump Connectors Carbon Steel Grooved End



Part-Number	Size Inches
<a href="#"><u>PG-200</u></a>	2" X 12"
<a href="#"><u>PG-250</u></a>	2-1/2" X 14"
<a href="#"><u>PG-300</u></a>	3" X 14"
<a href="#"><u>PG-400</u></a>	4" X 15"
<a href="#"><u>PG-500</u></a>	5" X 16"
<a href="#"><u>PG-600</u></a>	6" X 16"
<a href="#"><u>PG-800</u></a>	8" X 17"
<a href="#"><u>PG-1000</u></a>	10" X 18"
<a href="#"><u>PG-1200</u></a>	12" X 19"

*Click the Part Number to View Complete Specs*

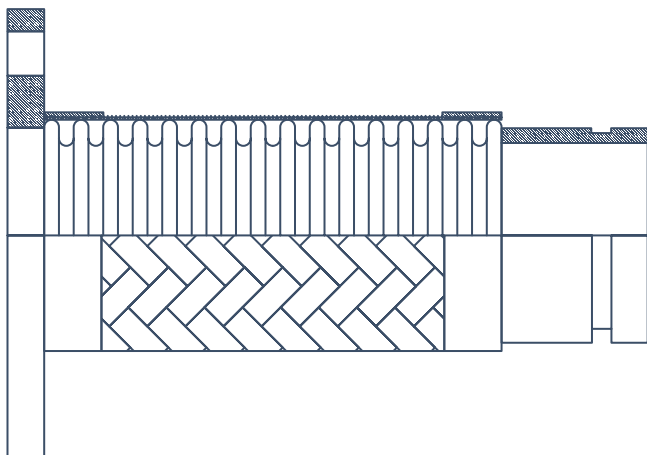
## CROSS REFERENCE

Metraflex  
Style GG

Unisource  
UPCS-GG

# STYLE # PGF

Stainless Steel Pump Connectors Carbon Steel 150 LB. Flange X Grv



Part-Number	Size Inches
<a href="#"><u>PGF-200</u></a>	2" X 12"
<a href="#"><u>PGF-250</u></a>	2-1/2" X 12"
<a href="#"><u>PGF-300</u></a>	3" X 13"
<a href="#"><u>PGF-400</u></a>	4" X 13"
<a href="#"><u>PGF-500</u></a>	5" X 14"
<a href="#"><u>PGF-600</u></a>	6" X 14"
<a href="#"><u>PGF-800</u></a>	8" X 15"
<a href="#"><u>PGF-1000</u></a>	10" X 16"
<a href="#"><u>PGF-1200</u></a>	12" X 17"

*Click the Part Number to View Complete Specs*

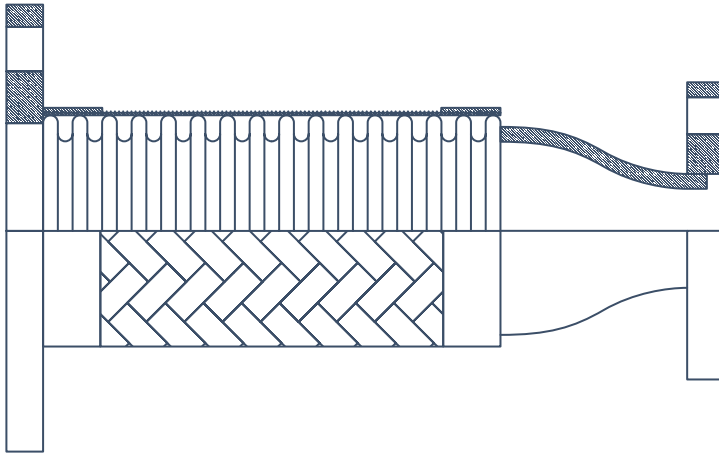
## CROSS REFERENCE

Metraflex  
Style GF

Unisource  
UPCS-GF

# STYLE # SNR

## Stainless Steel Hose Assembly Carbon Steel Reducer Flanged



Part-Number	Size Inches
<a href="#"><u>SNR-250200</u></a>	2-1/2" x 2" x 13"
<a href="#"><u>SNR-300200</u></a>	3" x 2" x 13"
<a href="#"><u>SNR-300250</u></a>	3" x 2-1/2" x 13"
<a href="#"><u>SNR-400200</u></a>	4" x 2" x 13"
<a href="#"><u>SNR-400250</u></a>	4" x 2-1/2" x 13"
<a href="#"><u>SNR-400300</u></a>	4" x 3" x 13"
<a href="#"><u>SNR-500250</u></a>	5" x 2-1/2" x 16"
<a href="#"><u>SNR-500300</u></a>	5" x 3" x 16"
<a href="#"><u>SNR-500400</u></a>	5" x 4" x 16"
<a href="#"><u>SNR-600300</u></a>	6" x 3" x 17"
<a href="#"><u>SNR-600400</u></a>	6" x 4" x 17"
<a href="#"><u>SNR-600500</u></a>	6 x 5" x 17"
<a href="#"><u>SNR-800400</u></a>	8 x 4" x 18"
<a href="#"><u>SNR-800500</u></a>	8" x 5" x 18"
<a href="#"><u>SNR-800600</u></a>	8" x 6" x 18"
<a href="#"><u>SNR-1000600</u></a>	10" x 6" x 18"
<a href="#"><u>SNR-100800</u></a>	10" x 8" x 18"
<a href="#"><u>SNR-12001000</u></a>	12" x 10" x 20"

### CROSS REFERENCE

Unisource

CRCPS

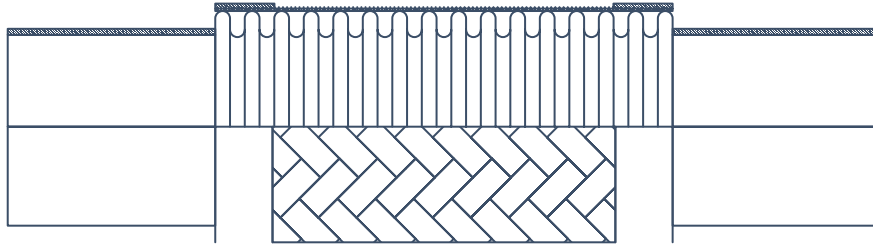
*Click the Part Number to View Complete Specs*

*\*Available in Longer Lengths and with Eccentric Reducer. Call Global-Flex for pricing information.*



# STYLE # BS

## Bronze Pump Connector Sweat Ends



### CROSS REFERENCE

Metraflex  
Style GG

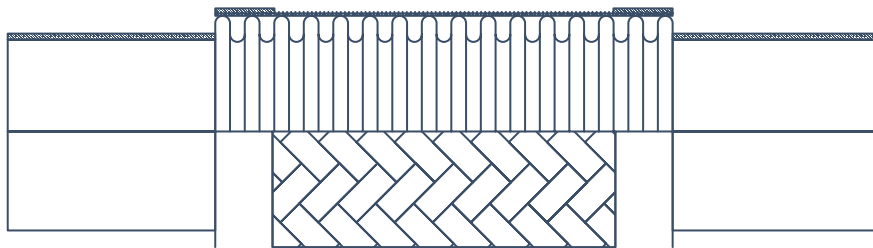
Unisource  
UPCS-GG

Part-Number	Size Inches
<a href="#"><u>BS-050</u></a>	1/2" X 6-1/2"
<a href="#"><u>BS-075</u></a>	3/4" X 7"
<a href="#"><u>BS-100</u></a>	1" X 8"
<a href="#"><u>BS-125</u></a>	1-1/4" X 8-1/2"
<a href="#"><u>BS-150</u></a>	1-1/2" X 9"
<a href="#"><u>BS-200</u></a>	2" X 10-1/2"
<a href="#"><u>BS-250</u></a>	2-1/2" X 12"
<a href="#"><u>BS-300</u></a>	3" X 12"

*Click the Part Number to View Complete Specs*

# STYLE # SB

## Stainless Steel Hose Pump Connector Bronze Sweat Ends



### CROSS REFERENCE

Metraflex  
Style GF

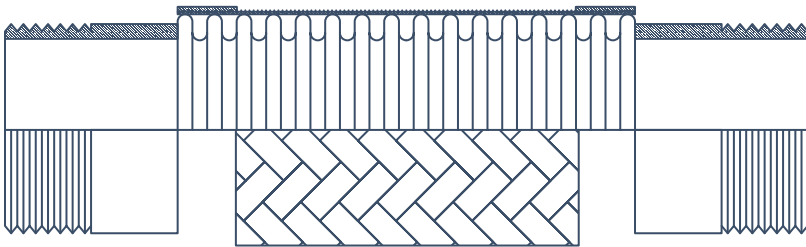
Unisource  
UPCS-GF

Part-Number	Size Inches
<a href="#"><u>SB-050</u></a>	1/2" X 6-1/2"
<a href="#"><u>SB-075</u></a>	3/4" X 7"
<a href="#"><u>SB-100</u></a>	1" X 8"
<a href="#"><u>SB-125</u></a>	1-1/4" X 8-1/2"
<a href="#"><u>SB-150</u></a>	1-1/2" X 9"
<a href="#"><u>SB-200</u></a>	2" X 10-1/2"
<a href="#"><u>SB-250</u></a>	2-1/2" X 12"
<a href="#"><u>SB-300</u></a>	3" X 12"

*Click the Part Number to View Complete Specs*

# STYLE # BM

Dual Sphere Rubber Expansion Joint Neoprene



Part-Number	Size Inches
<a href="#"><u>BM-050</u></a>	½" X 6-1/2"
<a href="#"><u>BM-075</u></a>	¾" X 7"
<a href="#"><u>BM-100</u></a>	1" X 8"
<a href="#"><u>BM-125</u></a>	1-1/4" X 8-1/2"
<a href="#"><u>BM-150</u></a>	1-1/2" X 9"
<a href="#"><u>BM-200</u></a>	2" X 10-1/2"
<a href="#"><u>BM-250</u></a>	2-1/2" X 12"
<a href="#"><u>BM-300</u></a>	3" X 12"

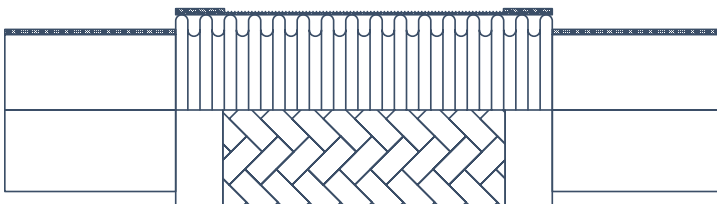
Click the Part Number to View Complete Specs

## CROSS REFERENCE

Mason	Senior Flexonics
BBF	PCB-BRMT
Metraflex	Unisource
Style BBT	UPCB-BRMP

# STYLE # BV

Bronze Vib – Female Copper Sweat Each End



Part-Number	Size Inches
<a href="#"><u>BV-2</u></a>	1/4 X 7-1/2 to fit 1/4 OD tube
<a href="#"><u>BV-3</u></a>	3/8 X 8-1/4 to fit 3/8 OD tube
<a href="#"><u>BV-4</u></a>	3/8 X 9 to fit 1/2 OD tube
<a href="#"><u>BV-5</u></a>	1/2 X 9-3/4 to fit 5/8 OD tube
<a href="#"><u>BV-6</u></a>	1/2 X 10 to fit 3/4 OD tube
<a href="#"><u>BV-7</u></a>	3/4 X 11-1/4 to fit 3/4 OD tube
<a href="#"><u>BV-8</u></a>	3/4 X 11-1/2 to fit 7/8 OD tube
<a href="#"><u>BV-9</u></a>	1 X 13 to fit 1-1/8 OD tube
<a href="#"><u>BV-10</u></a>	1-1/4 X 14-3/4 to fit 1-3/8 OD tube
<a href="#"><u>BV-11</u></a>	1-1/2 X 17 to fit 1-5/8 OD tube
<a href="#"><u>BV-12</u></a>	2 X 20 to fit 2-1/8 OD tube
<a href="#"><u>BV-13</u></a>	2-1/2 X 24 to fit 2-5/8 OD tube
<a href="#"><u>BV-14</u></a>	3 X 27 to fit 3-1/3 OD tube
<a href="#"><u>BV-15</u></a>	3-1/2 X 32 to fit 3-5/8 OD tube
<a href="#"><u>BV-16</u></a>	4 X 33 to 4-1/8 OD tube

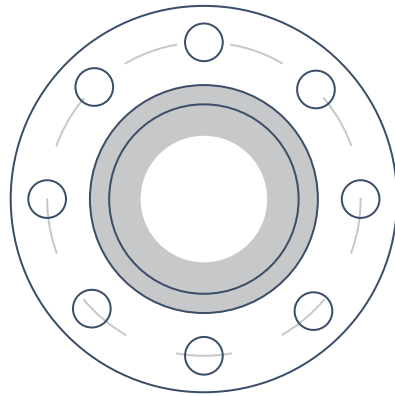
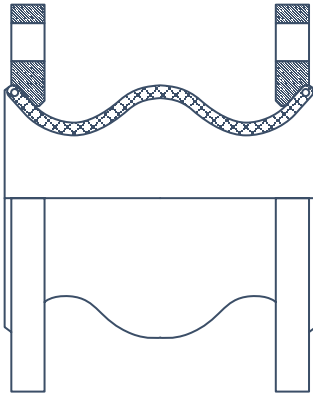
## CROSS REFERENCE

Mason	Proco
MFTNC	242-EE
Metraflex	Unisource
Twin sphere	U-302

Click the Part Number to View Complete Specs

# STYLE # RSN

Single Sphere Rubber Expansion Joint Neoprene



## CROSS REFERENCE

Mason  
MFNC  
Metraflex  
Metrasphere Style R

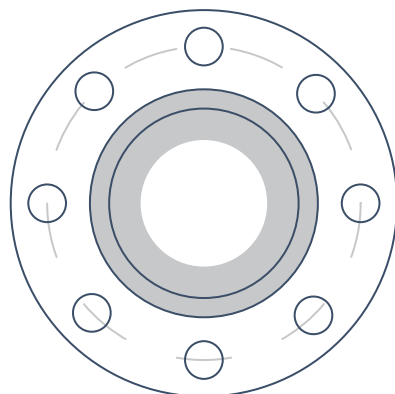
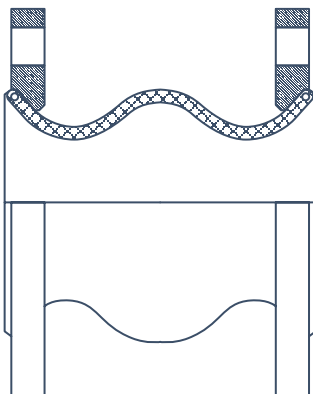
Proco  
240-AV/NN  
Unisource  
U-301

Part-Number	Size Inches
<a href="#"><u>RSN-150</u></a>	1-1/2" x 6"
<a href="#"><u>RSN-200</u></a>	2" x 6"
<a href="#"><u>RSN-250</u></a>	2-1/2" x 6"
<a href="#"><u>RSN-300</u></a>	3" x 6"
<a href="#"><u>RSN-400</u></a>	4" x 6"
<a href="#"><u>RSN-500</u></a>	5" x 6"
<a href="#"><u>RSN-600</u></a>	6" x 6"
<a href="#"><u>RSN-800</u></a>	8" x 6"
<a href="#"><u>RSN-1000</u></a>	10" x 8"
<a href="#"><u>RSN-1200</u></a>	12" x 8"
<a href="#"><u>RSN-1400</u></a>	14" x 8"
<a href="#"><u>RSN-1600</u></a>	16" x 8"
<a href="#"><u>RSN-1800</u></a>	18" x 8"
<a href="#"><u>RSN-2000</u></a>	20" x 8"
<a href="#"><u>RSN-2400</u></a>	24" X8"

Click the Part Number to View Complete Specs

# STYLE # RSE

Single Sphere Rubber Expansion Joint EPDM



## CROSS REFERENCE

Mason  
MFNC  
Metraflex  
Metrasphere Style R

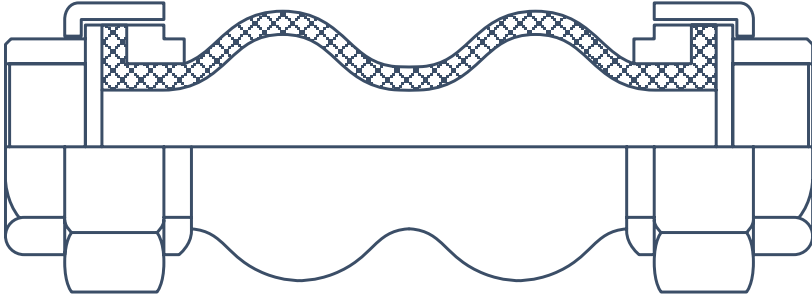
Proco  
240-AV/NN  
Unisource  
U-301

Part-Number	Size Inches
<a href="#"><u>RSE-150</u></a>	1-1/2" x 6"
<a href="#"><u>RSE-200</u></a>	2" x 6"
<a href="#"><u>RSE-250</u></a>	2-1/2" x 6"
<a href="#"><u>RSE-300</u></a>	3" x 6"
<a href="#"><u>RSE-400</u></a>	4" x 6"
<a href="#"><u>RSE-500</u></a>	5" x 6"
<a href="#"><u>RSE-600</u></a>	6" x 6"
<a href="#"><u>RSE-800</u></a>	8" x 6"
<a href="#"><u>RSE-1000</u></a>	10" x 8"
<a href="#"><u>RSE-1200</u></a>	12" x 8"
<a href="#"><u>RSE-1400</u></a>	14" x 8"
<a href="#"><u>RSE-1600</u></a>	16" x 8"
<a href="#"><u>RSE-1800</u></a>	18" x 8"
<a href="#"><u>RSE-2000</u></a>	20" x 8"
<a href="#"><u>RSE-2400</u></a>	24" X8"

Click the Part Number to View Complete Specs

# STYLE # RUN

Double Union Connector Neoprene



Part-Number	Size Inches
UN-075	3/4" X 8"
UN-100	1" X 8"
UN-125	1-1/4" X 8"
UN-150	1-1/2" X 8"
UN-200	2" X 8"
UN-250	2-1/2" X 8"
UN-300	3" X 8"

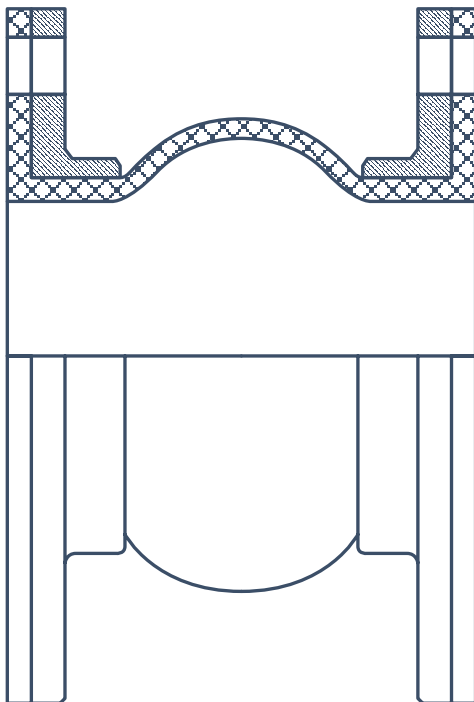
## CROSS REFERENCE

Mason  
MFTFU  
Metraflex  
Double Sphere Union

Proco  
315-A/NN  
Unisource  
U-303

# STYLE # REJM

Molded Rubber Expansion Joint L-Shape Back Up Rings

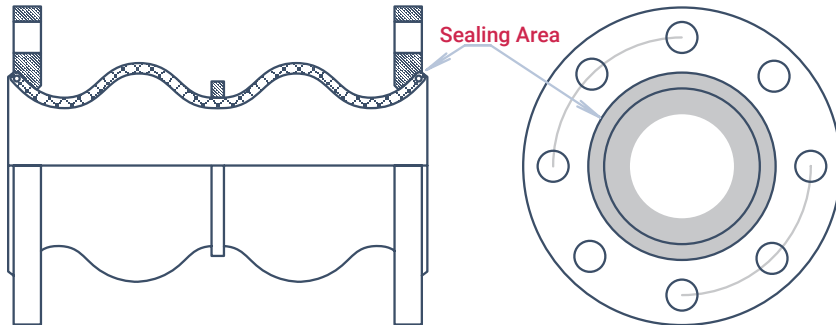


Part-Number	Size Inches
<a href="#"><u>REJM200BB-6.0</u></a>	2" x 6"
<a href="#"><u>REJM250BB-6.0</u></a>	2-1/2" x 6"
<a href="#"><u>REJM300BB-6.0</u></a>	3" x 6"
<a href="#"><u>REJM400BB-6.0</u></a>	4" x 6"
<a href="#"><u>REJM500BB-6.0</u></a>	5" x 6"
<a href="#"><u>REJM600BB-6.0</u></a>	6" x 6"
<a href="#"><u>REJM800BB-6.0</u></a>	8" x 6"
<a href="#"><u>REJM1000BB-8.0</u></a>	10" x 8"
<a href="#"><u>REJM1200BB-8.0</u></a>	12" x 8"

Click the Part Number to View Complete Specs

# STYLE # RDN

## Dual Sphere Rubber Expansion Joint Neoprene



### CROSS REFERENCE

Mason  
MFTNC  
Metraflex  
Twin sphere

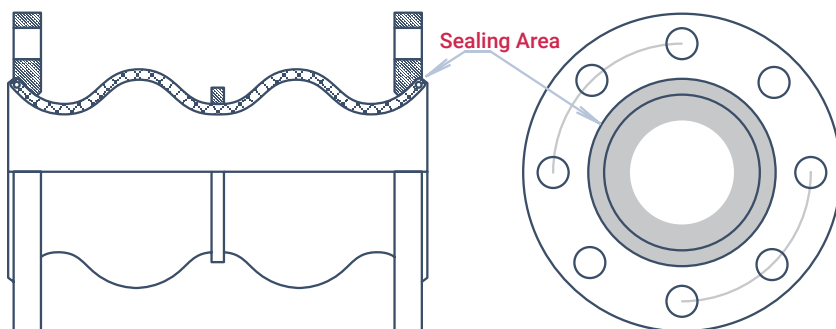
Proco  
242-EE  
Unisource  
U-302

Part-Number	Size Inches
<a href="#"><u>RDN-150</u></a>	1-1/2" X 7"
<a href="#"><u>RDN-200</u></a>	2" X 7"
<a href="#"><u>RDN-250</u></a>	2-1/2" X 7"
<a href="#"><u>RDN-300</u></a>	3" X 7"
<a href="#"><u>RDN-400</u></a>	4" X 9"
<a href="#"><u>RDN-500</u></a>	5" X 9"
<a href="#"><u>RDN-600</u></a>	6" X 9"
<a href="#"><u>RDN-800</u></a>	8" X 13"
<a href="#"><u>RDN-1000</u></a>	10" X 13"
<a href="#"><u>RDN-1200</u></a>	12" X 13"
<a href="#"><u>RDN-1400</u></a>	14" X
<a href="#"><u>RDN-1600</u></a>	16" X
<a href="#"><u>RDN-1800</u></a>	18" X
<a href="#"><u>RDN-2000</u></a>	20" X
<a href="#"><u>RDN-2400</u></a>	24" X

Click the Part Number to View Complete Specs

# STYLE # RDE

## Dual Sphere Rubber Expansion Joint EPDM



### CROSS REFERENCE

Mason  
MFTNC  
Metraflex  
Twin sphere

Proco  
242-EE  
Unisource  
U-302

Part-Number	Size Inches
<a href="#"><u>RDE-150</u></a>	1-1/2" X 7"
<a href="#"><u>RDE-200</u></a>	2" X 7"
<a href="#"><u>RDE-250</u></a>	2-1/2" X 7"
<a href="#"><u>RDE-300</u></a>	3" X 7"
<a href="#"><u>RDE-400</u></a>	4" X 9"
<a href="#"><u>RDE-500</u></a>	5" X 9"
<a href="#"><u>RDE-600</u></a>	6" X 9"
<a href="#"><u>RDE-800</u></a>	8" X 13"
<a href="#"><u>RDE-1000</u></a>	10" X 13"
<a href="#"><u>RDE-1200</u></a>	12" X 13"
<a href="#"><u>RDE-1400</u></a>	14" X
<a href="#"><u>RDE-1600</u></a>	16" X
<a href="#"><u>RDE-1800</u></a>	18" X
<a href="#"><u>RDE-2000</u></a>	20" X
<a href="#"><u>RDE-2400</u></a>	24" X

Click the Part Number to View Complete Specs