



Chair Assembly Instructions

PRS Series with Footring

Item No.	1	2	3	4	5
Sketch					
Description	Casters	Base	Cylinder	Foot ring	Backrest w/knob
Quantity	5	1	1	1	1
Item No.	6	7	8	9	
Sketch					
Description	Knob for the Back	Back Bar	Knob for the Seat	Seat w/mechanism	
Quantity	1	1	1	1	

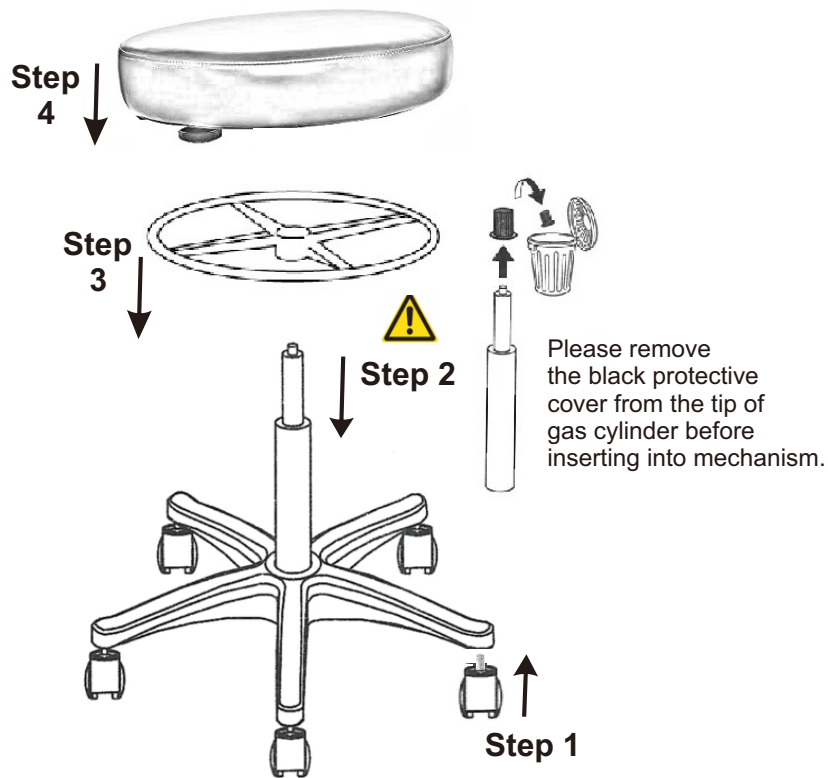
Note: Due to multiple ordering options, components may be slightly different in color, size, and shape.



Chair Assembly Instructions

PRS Series with Footring

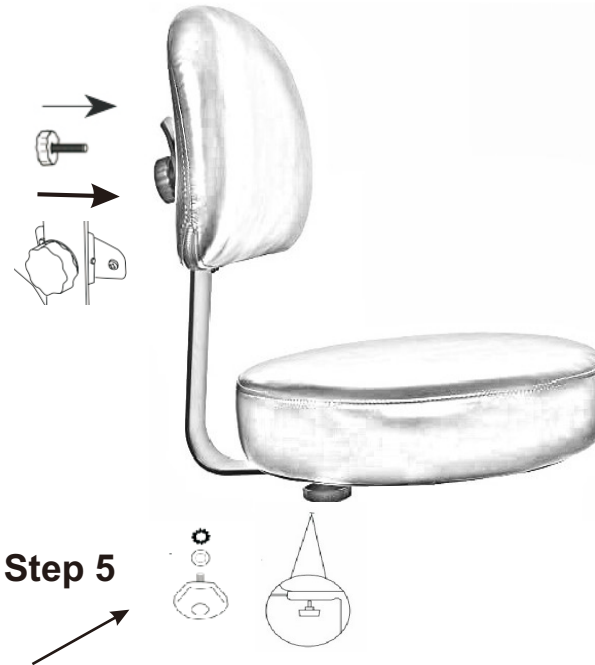
Lower portion assembly



Seat & Backrest assembly

Step 6 Knob → Back Bar → Hinge,
Insert knob and tighten to secure the back rest

** Note: The hinge is placed in front of the back bar, not on top or over the back bar **



Remove (unscrew) the knob and washers from the mechanism. Insert the bottom of back bar into the opening slot of the control mechanism (as seen in the diagram above). Reattach the knob and washers and tighten to secure.

