

Select Metal Collection

Wholesale Price List - Effective November 1, 2022



www.selectdraperyhardware.com

Select the Best SELECT METAL COLLECTION

The Select Metal Collection of drapery hardware offers the option of two distinctive collections of metal poles and accessories.

Select Metal is a premium collection of metal poles, accessories, and traverse rods all constructed using brass. This collection offers a choice of eight stunning finishes; Bronze, Brushed Brass, Graphite, Gunmetal, Matte Black, Polished Nickel, Satin Brass, and Steel. Poles, finials, and accessories are available in $\frac{3}{4}$ " and $1\frac{3}{16}$ " diameters.

Select Metal includes three traverse rod collections. The Brass Half Round Fascia and Metro Flat Fascia traverse rods are offered in eight finishes and assembled with Select Premium Track. The Cortina Collection includes three contemporary-styled track designs and are available in four finishes.

The Iron Works Collection features $\frac{3}{4}$ " and $1\frac{3}{16}$ " diameter steel poles and accessories in four finishes; Black, Black Copper, Black Pewter, and Sandstone. Iron Works includes nine finial designs and a variety of bracket options.

The Select Metal Collection provides beautiful drapery hardware of exceptional quality with the convenience of in-stock drapery hardware.

Placing Your Order

The color photos in this brochure are close representations of the finishes available. Please refer to your Select Product Binder #2019SWB or the Select Metal Finish Selector #2017SELM for actual finish samples.

Please Note

All items are sold as each.
Poles may be cut to a specified measurement for a surcharge.
Not recommended for outdoor use.

Contents

3/4" Select Metal Brass

Poles	4
Finials and End Caps	4 – 5
Brackets	5
French Return Elbows	6
Rings & Accessories	6
Bracket & Accessory Details	7

1 3/16" Select Metal Brass

Poles	8
Finials and End Caps	8 – 9
Brackets	9
French Return Elbows	10
Rings & Accessories	10
Bracket & Accessory Details	11

Continuous Curved & Bent Poles	12 – 13
---	----------------

Metro Collection	14
-------------------------------	-----------

Select Metal Brass Rosettes, Café Rods, & Swing Arms	15
---	-----------

Select Metal Traverse Rods

Traverse Rod Assembled Sets	16 – 17
Traverse Rod Surcharges & Options	18
Traverse Rod Standard Components	19
Traverse Rod Bracket Details	20

Cortina Collection Traverse Rods

Sintra, Obidos and Coimbra Traverse Rods	21 – 23
--	---------

3/4" Iron Works

Poles, Finials & End Caps, and French Return Elbows	24
Brackets, Rings, & Accessories	25

1 3/16" Iron Works

Poles, Finials & End Caps, and French Return Elbows	26
Brackets, Rings, & Accessories	27

Iron Works Bracket Details	28
---	-----------

Basic Bracket and French Return Installation	29
---	-----------

Displays & Sales Aids	30
--	-----------

Warranty	31
-----------------------	-----------

SELECT METAL - BRASS *Wholesale Price List*



3/4" Poles

ITEM NO.	FINISHES	DESCRIPTION	PRICE EACH
120-0006	07, 22, 27, 46, 67	3/4" Pole - 6 Ft.	77.50 ea.
	48, 65, 68		81.75 ea.
120-0008	07, 22, 27, 46, 67	3/4" Pole - 8 Ft.	97.25 ea.
	48, 65, 68		103.25 ea.
120-0012	07, 22, 27, 46, 67	3/4" Pole - 12 Ft.	155.00 ea.
	48, 65, 68		163.50 ea.

Poles may be cut to specified measurement (\$5.00 per cut) or spliced for longer lengths using 3/4" Internal Pole Splice (120-4999).

* Poles cut to 92" or less may reduce the shipping cost.

Finials and End Caps For Use With 3/4" Poles

ITEM NO.	FINISHES	DESCRIPTION	PRICE EACH
120-1052	07, 22, 27, 46, 67	3/4" Opus Finial	17.50 ea.
	48, 65, 68		19.75 ea.
120-1054	07, 22, 27, 46, 67	3/4" Nova Finial	16.75 ea.
	48, 65, 68		18.25 ea.
120-1055	07, 22, 27, 46, 67	3/4" Acrylic Halo Finial	23.75 ea.
	48, 65, 68		26.00 ea.
120-1057	07, 22, 27, 46, 67	3/4" Deco Aries Finial	21.50 ea.
	48, 65, 68		24.00 ea.
120-1059	07, 22, 27, 46, 67	3/4" Windsor Finial	24.00 ea.
	48, 65, 68		26.25 ea.
120-1070	07, 22, 27, 46, 67	3/4" Acrylic Ball Finial	21.75 ea.
	48, 65, 68		24.25 ea.
120-1071	07, 22, 27, 46, 67	3/4" Ball Finial	21.75 ea.
	48, 65, 68		24.25 ea.
120-1072	07, 22, 27, 46, 67	3/4" Candler Finial	16.00 ea.
	48, 65, 68		17.50 ea.
120-1073	07, 22, 27, 46, 67	3/4" Tetra Finial	25.00 ea.
	48, 65, 68		27.25 ea.
120-1074	07, 22, 27, 46, 67	3/4" Empire Finial	20.00 ea.
	48, 65, 68		21.75 ea.
120-1075	07, 22, 27, 46, 67	3/4" Urban Finial	21.25 ea.
	48, 65, 68		23.75 ea.
120-1076	07, 22, 27, 46, 67	3/4" Kingston Finial	23.75 ea.
	48, 65, 68		26.00 ea.
120-1077	07, 22, 27, 46, 67	3/4" Aries Finial	16.25 ea.
	48, 65, 68		18.00 ea.
120-1078	07, 22, 27, 46, 67	3/4" Gatsby Finial	17.25 ea.
	48, 65, 68		19.25 ea.
120-1080	07, 22, 27, 46, 67	3/4" End Cap	10.00 ea.
	48, 65, 68		11.00 ea.
120-1081	07, 22, 27, 46, 67	3/4" Square End Cap	18.00 ea.
	48, 65, 68		20.00 ea.
120-1085	07, 22, 27, 46, 67	3/4" Modern Ball Finial	15.75 ea.
	48, 65, 68		17.25 ea.



Finials and End Caps For Use With 3/4" Poles *(continued)*

ITEM NO.	FINISHES	DESCRIPTION	PRICE EACH
120-1087	07, 22, 27, 46, 67	3/4" Acrylic Aries Finial	18.25 ea.
	48, 65, 68		20.25 ea.
120-1088	07, 22, 27, 46, 67	3/4" Acrylic Flare Finial	23.25 ea.
	48, 65, 68		25.75 ea.
120-1089	07, 22, 27, 46, 67	3/4" Acrylic Mystic Finial	23.25 ea.
	48, 65, 68		25.75 ea.
120-1090	07, 22, 27, 46, 67	3/4" Gala Finial	18.00 ea.
	48, 65, 68		20.00 ea.
120-1095	07, 22, 27, 46, 67	3/4" Cadet Finial	23.75 ea.
	48, 65, 68		26.00 ea.
120-1097	07, 22, 27, 46, 67	3/4" Landover Finial	23.75 ea.
	48, 65, 68		26.00 ea.

Brackets For Use With 3/4" Poles

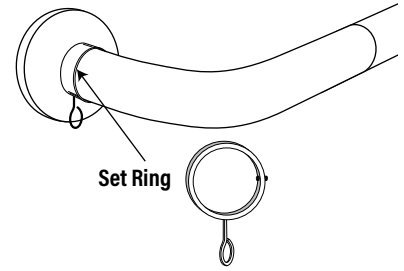
ITEM NO.	FINISHES	DESCRIPTION	PRICE EACH
120-2003	07, 22, 27, 46, 67	3/4" Standard Wall Bracket Return: 3 1/2"	26.25 ea.
	48, 65, 68		28.50 ea.
120-2006	07, 22, 27, 46, 67	3/4" Standard Extended Wall Bracket Return: 5 3/4"	26.25 ea.
	48, 65, 68		28.50 ea.
120-2023	07, 22, 27, 46, 67	3/4" Standard Wall By-Pass Bracket Return: 3 1/2"	29.00 ea.
	48, 65, 68		32.50 ea.
120-2026	07, 22, 27, 46, 67	3/4" Standard Extended Wall By-Pass Bracket Return: 5 3/4"	29.75 ea.
	48, 65, 68		33.25 ea.
120-2036	07, 22, 27, 46, 67	3/4" Standard Double Wall Bracket Front Return: 5 3/4" - Back Return: 3 1/2"	34.75 ea.
	48, 65, 68		39.25 ea.
120-2053	07, 22, 27, 46, 67	3/4" Standard Ceiling Bracket Drop: 3"	26.75 ea.
	48, 65, 68		29.00 ea.
120-2056	07, 22, 27, 46, 67	3/4" Adjustable Swivel Bracket Return: 4 3/8" - 5 3/8"	54.75 ea.
	48, 65, 68		60.25 ea.
120-2103	07, 22, 27, 46, 67	3/4" Square Wall Bracket Return: 3 3/4"	36.75 ea.
	48, 65, 68		40.50 ea.
120-2107	07, 22, 27, 46, 67	3/4" Square Extended Wall Bracket Return: 7 1/4"	41.75 ea.
	48, 65, 68		46.50 ea.
120-2137	07, 22, 27, 46, 67	3/4" Square Double Wall Bracket Front Return: 7 1/4" - Back Return: Adjustable	51.00 ea.
	48, 65, 68		55.50 ea.
120-2153	07, 22, 27, 46, 67	3/4" Square Ceiling Bracket Drop: 2 3/4"	36.75 ea.
	48, 65, 68		40.50 ea.
120-2403	07, 22, 27, 46, 67	3/4" Urban Wall Bracket with By-Pass Option Return: 3 3/4"	43.00 ea.
	48, 65, 68		47.25 ea.
120-2436	07, 22, 27, 46, 67	3/4" Urban Double Bracket with By-Pass Option Front Return: 5 3/4" - Back Return: 2 1/2"	46.50 ea.
	48, 65, 68		50.50 ea.
120-2000	07, 22, 27, 46, 67	3/4" Inside Mount Recess Bracket	13.00 ea.
	48, 65, 68		14.50 ea.

SELECT METAL - BRASS *Wholesale Price List*



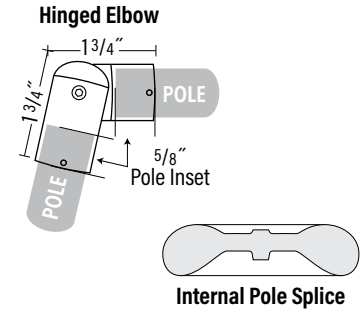
French Return Elbows For Use With 3/4" Poles

ITEM NO.	FINISHES	DESCRIPTION	PRICE EACH
120-4063	07, 22, 27, 46, 67	3/4" French Return Elbow - includes pole connector	47.25 ea.
	48, 65, 68	Return: 3 1/2"	51.00 ea.
120-4066	07, 22, 27, 46, 67	3/4" Ext. French Return Elbow - includes pole connector	48.50 ea.
	48, 65, 68	Return: 5 3/4"	53.50 ea.
120-3966	07, 22, 27, 46, 67	3/4" French Return Set Ring	3.25 ea.
	48, 65, 68		3.75 ea.



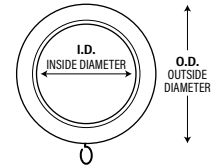
Accessories For Use With 3/4" Poles

ITEM NO.	FINISHES	DESCRIPTION	PRICE EACH
120-4053	07, 22, 27, 46, 67	3/4" Hinged Elbow	22.75 ea.
	48, 65, 68		24.50 ea.
120-4105	07, 22, 27, 46, 67	3/4" Curved Corner Elbow - 90°	29.75 ea.
	48, 65, 68	includes 2 pole connectors	32.75 ea.
500-4700	07, 22, 27, 46, 67	39" Metal Baton	38.25 ea.
	48, 65, 68		41.75 ea.
500-4300	01 (Clear)	39" Heavy Duty Clear Plexi Baton	29.25 ea.
120-4999	67	3/4" Internal Pole Splice	7.00 ea.



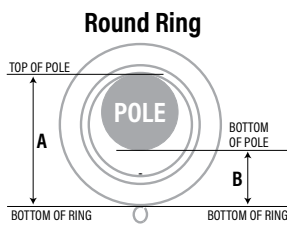
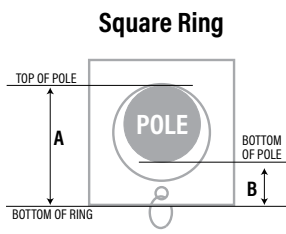
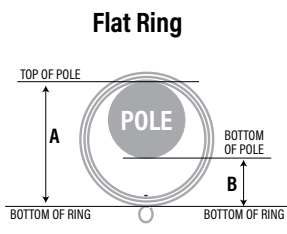
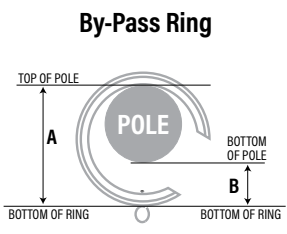
Rings For Use With 3/4" Poles

ITEM NO.	FINISHES	DESCRIPTION	PRICE EACH
120-3000	07, 22, 27, 46, 67	3/4" Round Ring with Liner	3.00 ea.
	48, 65, 68	I.D.: 1 1/4" - O.D.: 1 3/4"	3.25 ea.
120-3100	07, 22, 27, 46, 67	3/4" Square Ring with Liner	3.25 ea.
	48, 65, 68	I.D.: 1 1/8" - 1 3/4" Square	3.75 ea.
120-3400	07, 22, 27, 46, 67	3/4" By-Pass Ring with Liner	3.00 ea.
	48, 65, 68	I.D.: 1 1/4" - O.D.: 1 5/8"	3.25 ea.
120-3600	07, 22, 27, 46, 67	3/4" Flat Ring with Liner	3.00 ea.
	48, 65, 68	I.D.: 1 1/8" - O.D.: 1 1/2"	3.25 ea.
120-3900	07, 22, 27, 46, 67	3/4" Set Ring for Arched Pole	3.00 ea.
	48, 65, 68		3.25 ea.

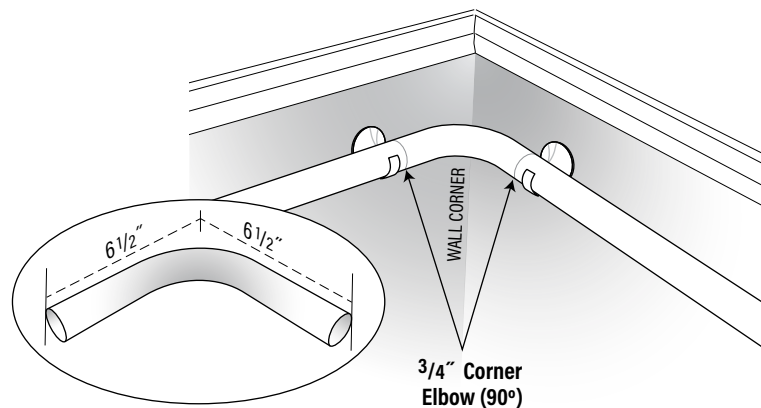
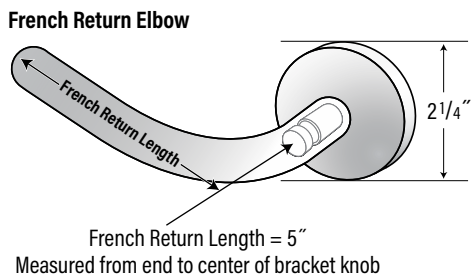
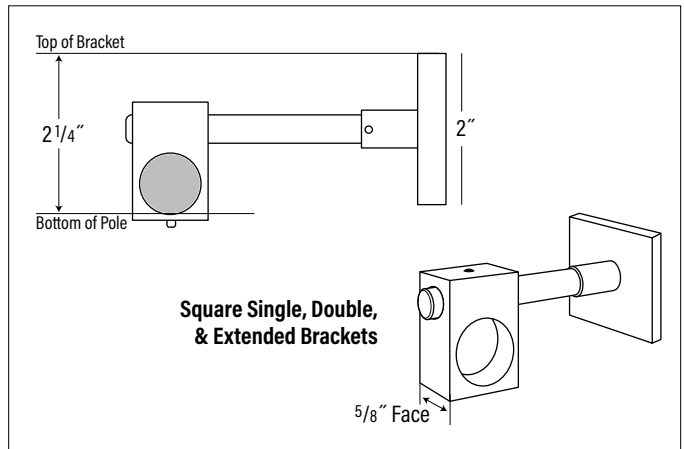
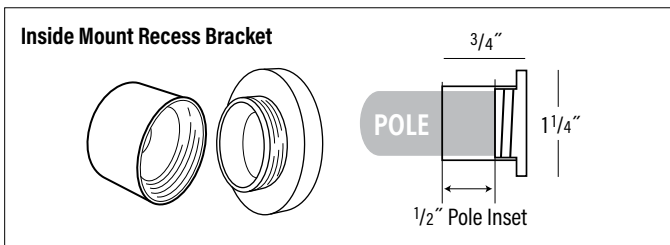
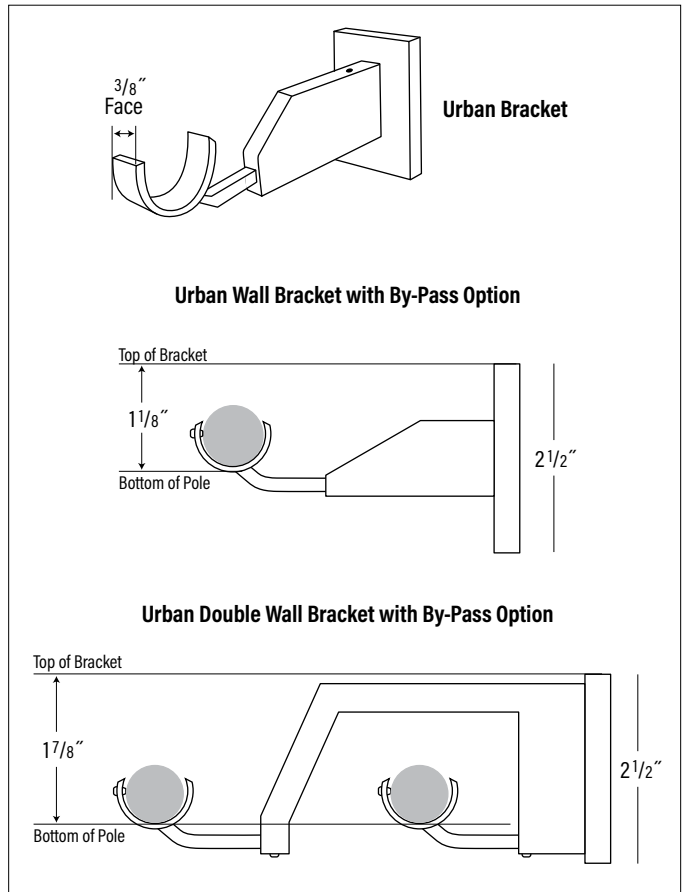
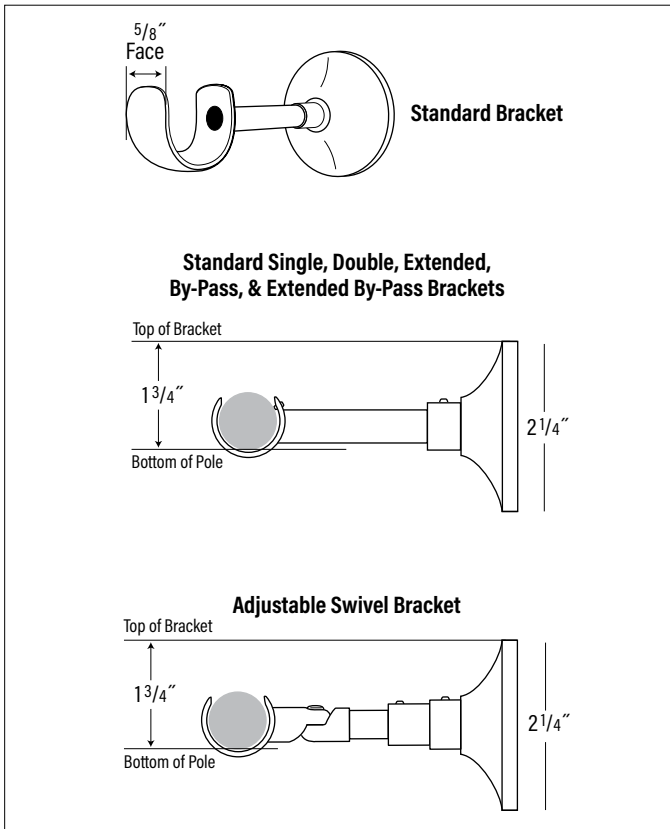


Set Ring For Arched Pole

3/4" Rings

	 <p>Round Ring</p>	 <p>Square Ring</p>	 <p>Flat Ring</p>	 <p>By-Pass Ring</p>
	<p>ROUND RING 120-3000 for use with 3/4" Pole</p>	<p>SQUARE RING 120-3100 for use with 3/4" Pole</p>	<p>FLAT RING 120-3600 for use with 3/4" Pole</p>	<p>BY-PASS RING 120-3400 for use with 3/4" Pole</p>
A = Top of Pole to Bottom of Ring	1 1/2"	1 1/2"	1 1/4"	1 3/8"
B = Bottom of Pole to Bottom of Ring	5/8"	5/8"	1/2"	5/8"

3/4" Bracket and Accessory Details





1 3/16" Poles

ITEM NO.	FINISHES	DESCRIPTION	PRICE EACH
130-0006	07, 22, 27, 46, 67	1 3/16" Pole - 6 Ft.	118.50 ea.
	48, 65, 68		125.50 ea.
130-0008	07, 22, 27, 46, 67	1 3/16" Pole - 8 Ft.	147.75 ea.
	48, 65, 68		157.75 ea.
130-0012	07, 22, 27, 46, 67	1 3/16" Pole - 12 Ft.	236.75 ea.
	48, 65, 68		251.00 ea.

Poles may be cut to specified measurement (\$5.00 per cut) or spliced for longer lengths using 1 3/16" Internal Pole Splice (130-4999).

*Poles cut to 92" or less may reduce the shipping cost.

1 3/16" Acrylic Poles

ITEM NO.	FINISHES	DESCRIPTION	PRICE EACH
130-0006	1	1 3/16" Pole - 6 Ft.	120.00 ea.
130-0008	1	1 3/16" Pole - 8 Ft.	159.50 ea.

Poles may be cut to specified measurement (\$5.00 per cut). Acrylic Poles are for light weight draperies. Center supports are recommended.

Finials and End Caps For Use With 1 3/16" Poles

ITEM NO.	FINISHES	DESCRIPTION	PRICE EACH
130-1052	07, 22, 27, 46, 67	1 3/16" Opus Finial	23.75 ea.
	48, 65, 68		26.00 ea.
130-1054	07, 22, 27, 46, 67	1 3/16" Nova Finial	23.75 ea.
	48, 65, 68		26.00 ea.
130-1055	07, 22, 27, 46, 67	1 3/16" Acrylic Halo Finial	31.50 ea.
	48, 65, 68		34.25 ea.
130-1057	07, 22, 27, 46, 67	1 3/16" Deco Aries Finial	27.25 ea.
	48, 65, 68		30.00 ea.
130-1059	07, 22, 27, 46, 67	1 3/16" Windsor Finial	37.25 ea.
	48, 65, 68		40.00 ea.
130-1070	07, 22, 27, 46, 67	1 3/16" Acrylic Ball Finial	28.25 ea.
	48, 65, 68		31.25 ea.
130-1071	07, 22, 27, 46, 67	1 3/16" Ball Finial	28.25 ea.
	48, 65, 68		31.25 ea.
130-1072	07, 22, 27, 46, 67	1 3/16" Candler Finial	22.75 ea.
	48, 65, 68		24.50 ea.
130-1073	07, 22, 27, 46, 67	1 3/16" Tetra Finial	33.25 ea.
	48, 65, 68		35.25 ea.
130-1074	07, 22, 27, 46, 67	1 3/16" Empire Finial	27.00 ea.
	48, 65, 68		29.75 ea.
130-1075	07, 22, 27, 46, 67	1 3/16" Urban Finial	29.00 ea.
	48, 65, 68		32.50 ea.
130-1076	07, 22, 27, 46, 67	1 3/16" Kingston Finial	31.25 ea.
	48, 65, 68		34.00 ea.
130-1077	07, 22, 27, 46, 67	1 3/16" Aries Finial	24.00 ea.
	48, 65, 68		26.25 ea.
130-1078	07, 22, 27, 46, 67	1 3/16" Gatsby Finial	25.50 ea.
	48, 65, 68		27.75 ea.
130-1080	07, 22, 27, 46, 67	1 3/16" End Cap	11.25 ea.
	48, 65, 68		12.75 ea.
130-1081	07, 22, 27, 46, 67	1 3/16" Square End Cap	26.25 ea.
	48, 65, 68		28.50 ea.
130-1085	07, 22, 27, 46, 67	1 3/16" Modern Ball Finial	20.50 ea.
	48, 65, 68		22.75 ea.



Finials and End Caps For Use With 1 3/16" Poles (continued)

ITEM NO.	FINISHES	DESCRIPTION	PRICE EACH
130-1087	07, 22, 27, 46, 67 48, 65, 68	1 3/16" Acrylic Aries Finial	23.00 ea. 25.50 ea.
130-1088	07, 22, 27, 46, 67 48, 65, 68	1 3/16" Acrylic Flare Finial	30.25 ea. 33.75 ea.
130-1089	07, 22, 27, 46, 67 48, 65, 68	1 3/16" Acrylic Mystic Finial	30.25 ea. 33.75 ea.
130-1090	07, 22, 27, 46, 67 48, 65, 68	1 3/16" Gala Finial	25.50 ea. 27.75 ea.
130-1091	07, 22, 27, 46, 67 48, 65, 68	1 3/16" Stella Crystal Finial	47.50 ea. 51.75 ea.
130-1092	07, 22, 27, 46, 67 48, 65, 68	1 3/16" Solitaire Crystal Finial	47.50 ea. 51.75 ea.
130-1095	07, 22, 27, 46, 67 48, 65, 68	1 3/16" Cadet Finial	30.00 ea. 33.25 ea.
130-1097	07, 22, 27, 46, 67 48, 65, 68	1 3/16" Landover Finial	30.00 ea. 33.25 ea.

Brackets For Use With 1 3/16" Poles

ITEM NO.	FINISHES	DESCRIPTION	PRICE EACH
130-2003	07, 22, 27, 46, 67 48, 65, 68	1 3/16" Standard Wall Bracket Return: 3 3/4"	29.75 ea. 32.75 ea.
130-2006	07, 22, 27, 46, 67 48, 65, 68	1 3/16" Standard Extended Wall Bracket Return: 6 1/2"	29.75 ea. 32.75 ea.
130-2023	07, 22, 27, 46, 67 48, 65, 68	1 3/16" Standard Wall By-Pass Bracket Return: 3 3/4"	30.25 ea. 33.75 ea.
130-2026	07, 22, 27, 46, 67 48, 65, 68	1 3/16" Standard Extended Wall By-Pass Bracket Return: 6 1/2"	31.25 ea. 34.00 ea.
130-2083	07, 22, 27, 46, 67 48, 65, 68	1 3/16" Connector Support Wall Bracket Return: 3 3/4"	30.25 ea. 33.75 ea.
130-2086	07, 22, 27, 46, 67 48, 65, 68	1 3/16" Connector Extended Support Wall Bracket Return: 6 1/2"	31.25 ea. 34.00 ea.
130-2036	07, 22, 27, 46, 67 48, 65, 68	1 3/16" Standard Double Wall Bracket Front Return: 6 1/2" - Back Return: 3 3/4"	37.75 ea. 41.50 ea.
130-2053	07, 22, 27, 46, 67 48, 65, 68	1 3/16" Standard Ceiling Bracket Drop: 3"	29.75 ea. 32.75 ea.
130-2056	07, 22, 27, 46, 67 48, 65, 68	1 3/16" Adjustable Swivel Bracket Return: 4 1/2" - 5 1/2"	55.50 ea. 61.50 ea.
130-2103	07, 22, 27, 46, 67 48, 65, 68	1 3/16" Square Wall Bracket Return: 3 1/2"	46.50 ea. 50.50 ea.
130-2107	07, 22, 27, 46, 67 48, 65, 68	1 3/16" Square Extended Wall Bracket Return: 7"	51.75 ea. 57.00 ea.
130-2137	07, 22, 27, 46, 67 48, 65, 68	1 3/16" Square Double Wall Bracket Front Return: 7" - Back Return: Adjustable	62.75 ea. 68.25 ea.
130-2153	07, 22, 27, 46, 67 48, 65, 68	1 3/16" Square Ceiling Bracket Drop: 3"	46.50 ea. 50.50 ea.
130-2403	07, 22, 27, 46, 67 48, 65, 68	1 3/16" Urban Wall Bracket with By-Pass Option Return: 5"	54.50 ea. 60.00 ea.
130-2436	07, 22, 27, 46, 67 48, 65, 68	1 3/16" Urban Double Bracket with By-Pass Option Front Return: 6" - Back Return: 2 1/2"	74.50 ea. 81.25 ea.
130-2000	07, 22, 27, 46, 67 48, 65, 68	1 3/16" Inside Mount Recess Bracket	21.00 ea. 23.25 ea.

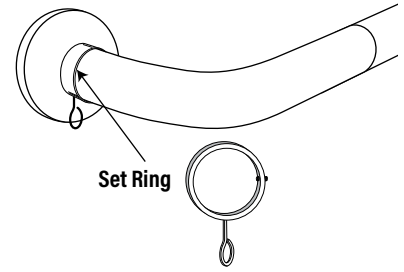
SELECT METAL - BRASS *Wholesale Price List*



French Return Elbows For Use With 1 3/16" Poles

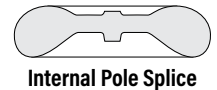
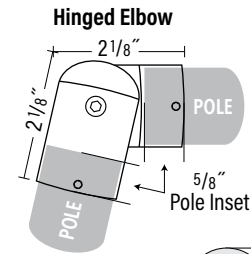
ITEM NO.	FINISHES	DESCRIPTION	PRICE EACH
130-4063	07, 22, 27, 46, 67	1 3/16" French Return Elbow - includes pole connector	50.50 ea.
	48, 65, 68	Return: 3 3/4"	54.75 ea.
130-4066	07, 22, 27, 46, 67	1 3/16" Ext. French Return Elbow - includes pole connector	60.50 ea.
	48, 65, 68	Return: 6 1/2"	66.50 ea.
130-3966	07, 22, 27, 46, 67	1 3/16" French Return Set Ring	5.50 ea.
	48, 65, 68		6.00 ea.

French Returns for
Traverse Rods see page 17



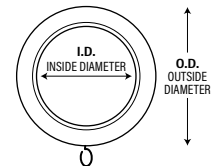
Accessories For Use With 1 3/16" Poles

ITEM NO.	FINISHES	DESCRIPTION	PRICE EACH
130-4053	07, 22, 27, 46, 67	1 3/16" Hinged Elbow	31.25 ea.
	48, 65, 68		34.00 ea.
130-4105	07, 22, 27, 46, 67	1 3/16" Curved Corner Elbow - 90°	41.50 ea.
	48, 65, 68	includes 2 pole connectors	46.00 ea.
500-4700	07, 22, 27, 46, 67	39" Metal Baton	38.25 ea.
	48, 65, 68		41.75 ea.
500-4300	01 (Clear)	39" Heavy Duty Clear Plexi Baton	29.25 ea.
130-4999	67	1 3/16" Internal Pole Splice	9.00 ea.



Rings For Use With 1 3/16" Poles

ITEM NO.	FINISHES	DESCRIPTION	PRICE EACH
130-3000	07, 22, 27, 46, 67	1 3/16" Round Ring with Liner	3.75 ea.
	48, 65, 68	I.D.: 1 5/8" - O.D.: 2 3/8"	4.00 ea.
130-3100	07, 22, 27, 46, 67	1 3/16" Square Ring with Liner	4.00 ea.
	48, 65, 68	I.D.: 1 1/2" - 2 1/4" Square	4.25 ea.
130-3400	07, 22, 27, 46, 67	1 3/16" By-Pass Ring with Liner	4.00 ea.
	48, 65, 68	I.D.: 1 5/8" - O.D.: 2"	4.25 ea.
130-3600	07, 22, 27, 46, 67	1 3/16" Flat Ring with Liner	4.00 ea.
	48, 65, 68	I.D.: 1 3/4" - O.D.: 2"	4.25 ea.
130-3700	1	1 3/16" Acrylic Rings I.D.: 1 1/2" - O.D.: 2 1/4"	2.50 ea.
130-3900	07, 22, 27, 46, 67	1 3/16" Set Ring for Arched Pole	4.00 ea.
	48, 65, 68		4.25 ea.



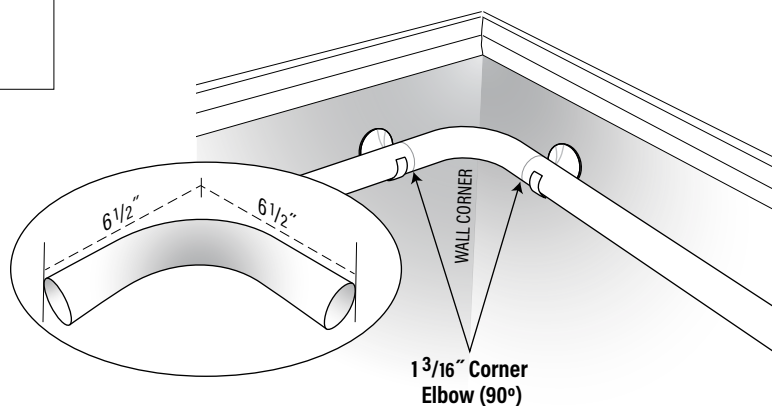
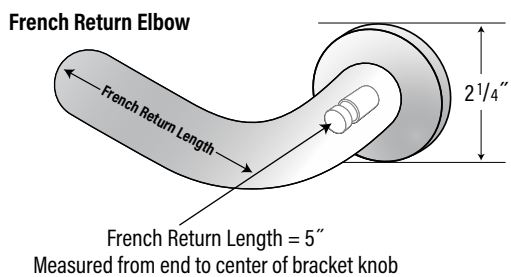
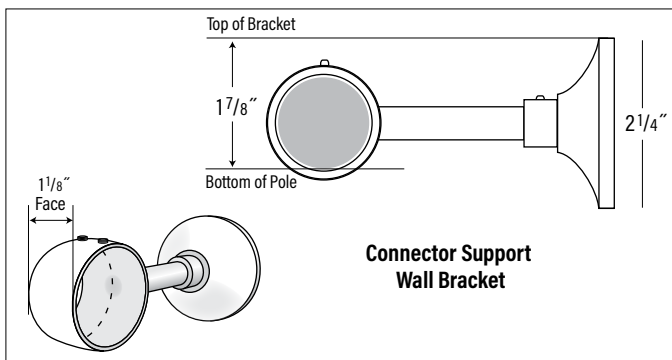
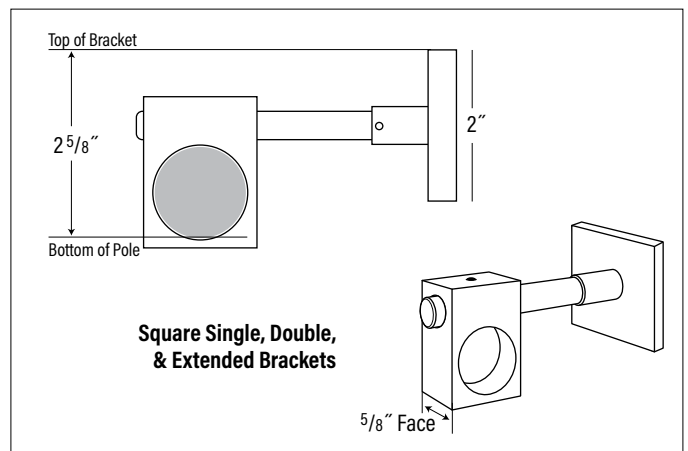
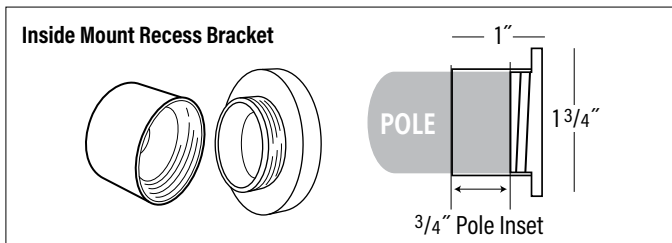
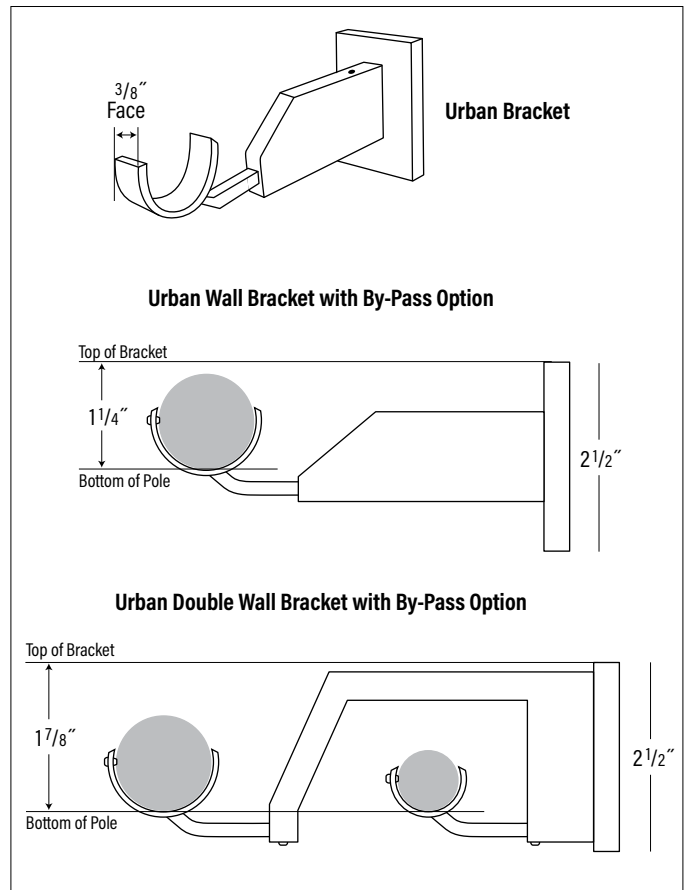
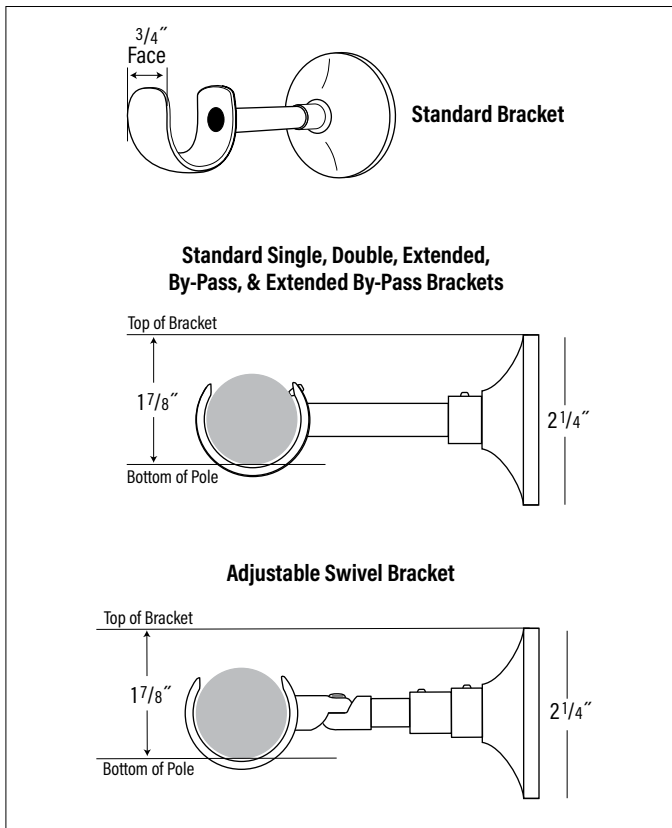
Set Ring For
Arched Pole

1 3/16" Rings

	<p>Round Ring</p>	<p>Square Ring</p>	<p>Flat Ring</p>	<p>By-Pass Ring</p>
	<p>ROUND RING 130-3000 for use with 1 3/16" Pole</p>	<p>SQUARE RING 130-3100 for use with 1 3/16" Pole</p>	<p>FLAT RING 130-3600 for use with 1 3/16" Pole</p>	<p>BY-PASS RING 130-3400 for use with 1 3/16" Pole</p>
A = Top of Pole to Bottom of Ring	2"	1 7/8"	1 7/8"	1 7/8"
B = Bottom of Pole to Bottom of Ring	7/8"	5/8"	3/4"	5/8"

SELECT METAL - BRASS *Wholesale Price List*

1 3/16" Bracket and Accessory Details



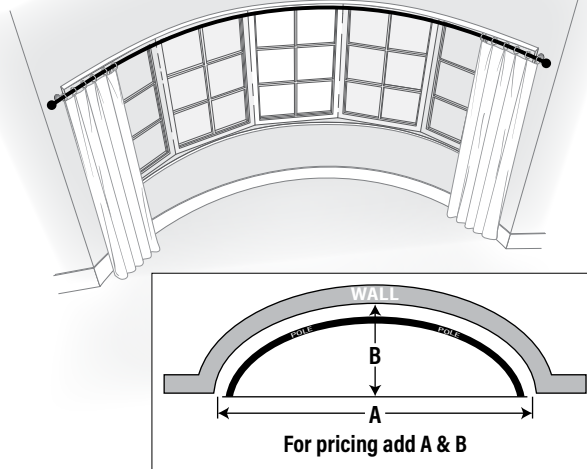


3/4" and 1 3/16" Continuous Curved Poles For Bow or Arched Windows

ITEM NO.	FINISHES	PRICE
3/4" Pole	07, 22, 27, 46, 67, 48, 65, 68	16.00 ft.
1 3/16" Pole	07, 22, 27, 46, 67, 48, 65, 68	24.50 ft.

- Continuous Curved Poles are priced by the foot plus curving surcharge per foot.
 - **Curving Surcharge** - NET \$ 12.25 per foot
 - **Crating Surcharge**
NET \$ 50.00 per crate. Identical rods may be packed in 1 crate.
 - All poles over 144" will be spliced - Splice included.
 - Finials, Brackets, and Rings must be specified and priced separately.
 - A Template is required. Template instructions are available.
- Specify:
- Bow or Arched Pole
 - Pole Diameter
 - Return for Bow Windows (factory will take allowances)
 - Provide "A" and "B" Measurements

Continuous Curved Poles

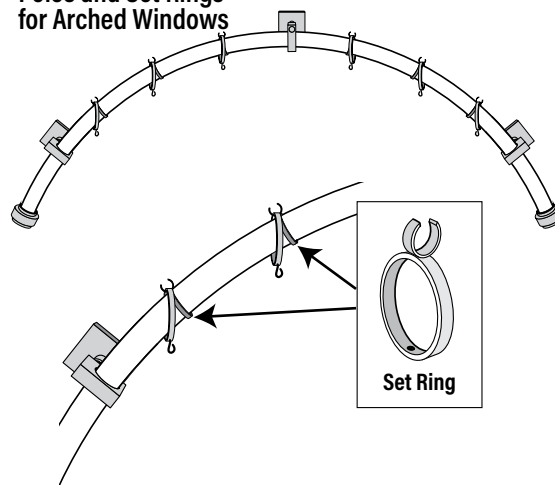


Set Rings to be used with Arched Poles

ITEM NO.	FINISHES	DESCRIPTION	PRICE EACH
120-3900	07, 22, 27, 46, 67, 48, 65, 68	3/4" Set Ring for Arched Pole	3.00 ea. 3.25 ea.
130-3900	07, 22, 27, 46, 67, 48, 65, 68	1 3/16" Set Ring for Arched Pole	4.00 ea. 4.25 ea.

Round or Flat Rings used with Set Rings must be specified and priced separately.

Poles and Set Rings for Arched Windows

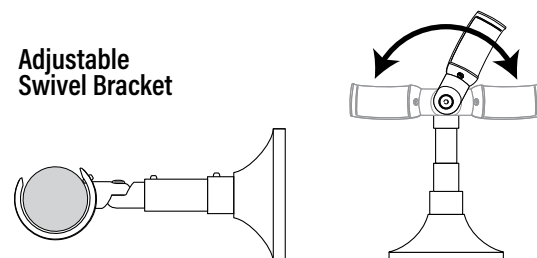


Adjustable Swivel Brackets for Curved or Bent Poles

ITEM NO.	FINISHES	DESCRIPTION	PRICE EACH
120-2056	07, 22, 27, 46, 67, 48, 65, 68	3/4" Adjustable Swivel Bracket	54.75 ea. 60.25 ea.
130-2056	07, 22, 27, 46, 67, 48, 65, 68	1 3/16" Adjustable Swivel Bracket	55.50 ea. 61.50 ea.

Adjustable Brackets are for use when installation requires more flexibility.
Not for use in combination with other brackets.

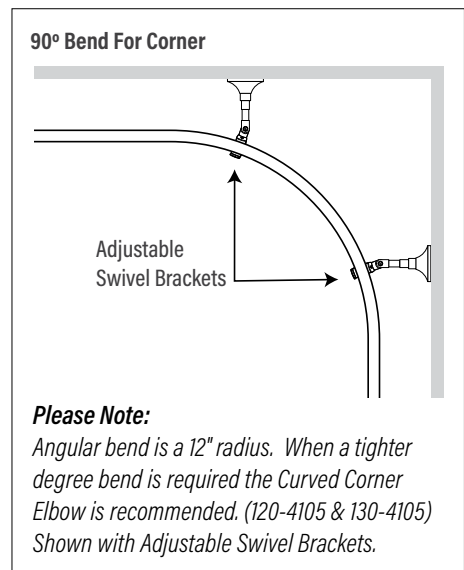
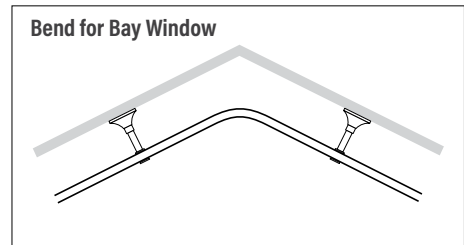
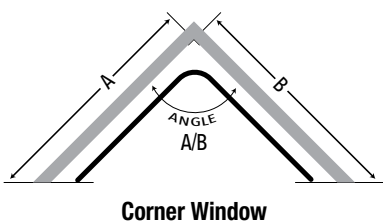
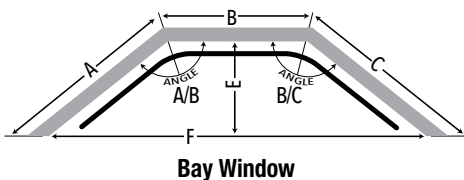
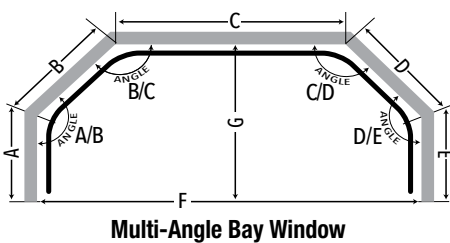
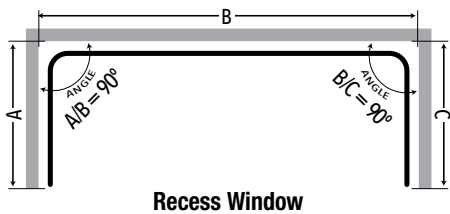
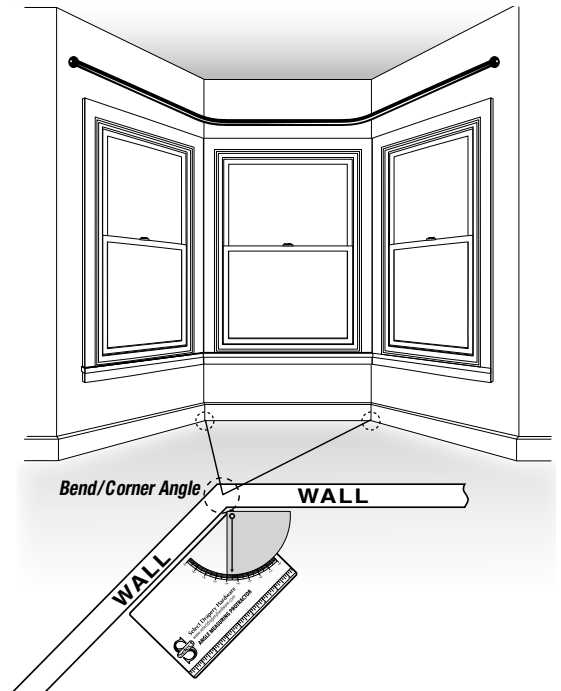
Adjustable Swivel Bracket



3/4" and 1 3/16" Bent Poles For Corner, Bay, or Angled Windows

ITEM NO.	FINISHES	PRICE
3/4" Pole	07, 22, 27, 46, 67, 48, 65, 68	16.00 ft.
1 3/16" Pole	07, 22, 27, 46, 67, 48, 65, 68	24.50 ft.

- Bent Poles are priced by the foot plus bending surcharge.
- Bending Surcharge** - NET \$30.75 per bend
- Crating Surcharge**
NET \$ 50.00 per crate. Identical rods may be packed in 1 crate.
- All poles over 144" will be spliced - Splice included.
- Finials, Brackets, and Rings must be specified and priced separately.
- A Template is required. Provide all wall measurements degree of angles, and return. Factory will take allowances.



METRO COLLECTION - BRASS Wholesale Price List



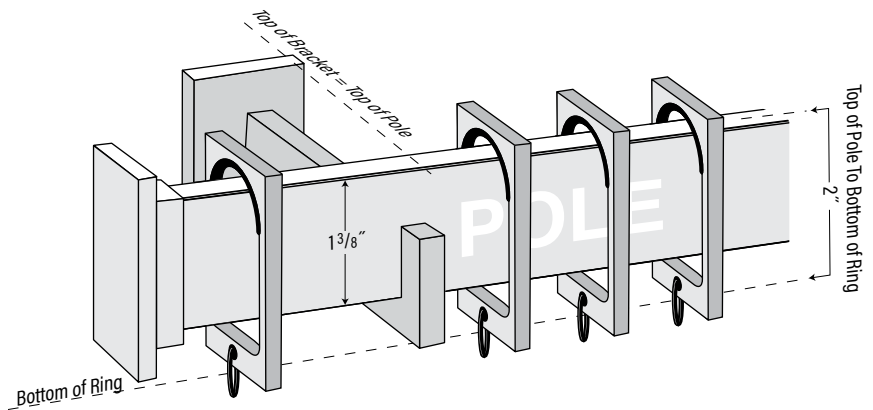
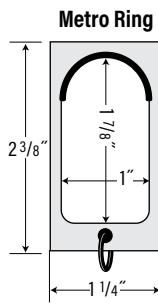
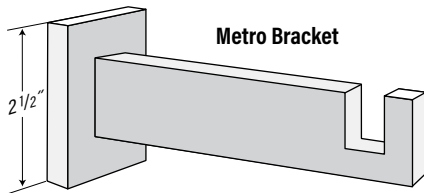
Metro Collection

ITEM NO.	FINISHES	DESCRIPTION	PRICE EACH
135-0516	07, 22, 27, 46, 67 48, 65, 68	1 3/8" Metro Flat Pole	21.25 ft.
135-0164	07, 22, 27, 46, 67 48, 65, 68	Metro End Cap	8.75 ea.
135-0184	07, 22, 27, 46, 67 48, 65, 68	Metro Finial	25.00 ea.
135-0187	07, 22, 27, 46, 67 48, 65, 68	Metro Acrylic Finial	26.00 ea.
135-4080	07, 22, 27, 46, 67 48, 65, 68	Metro Return Adaptor Includes Metro Fascia Return for 4 1/2" Return	24.00 ea.
135-2804	07, 22, 27, 46, 67 48, 65, 68	Metro Bracket Return: 4 1/2"	64.00 ea. 67.75 ea.
135-3800	07, 22, 27, 46, 67 48, 65, 68	Metro Rings	10.25 ea. 12.50 ea.
135-4088	67	1 3/8" Internal Splice for Metro Flat Pole	9.75 ea.

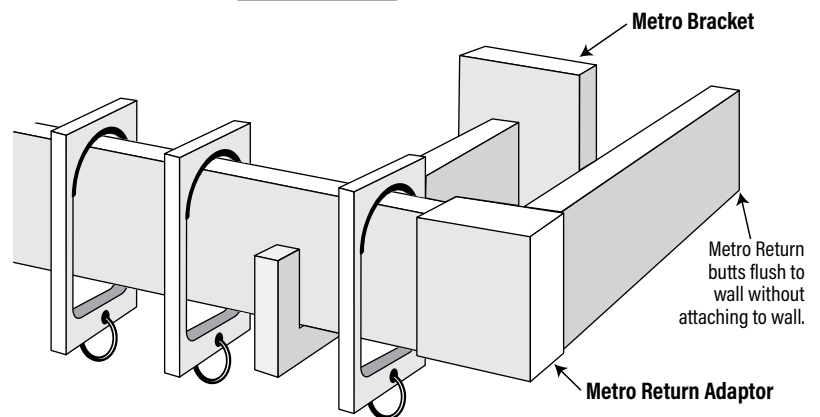
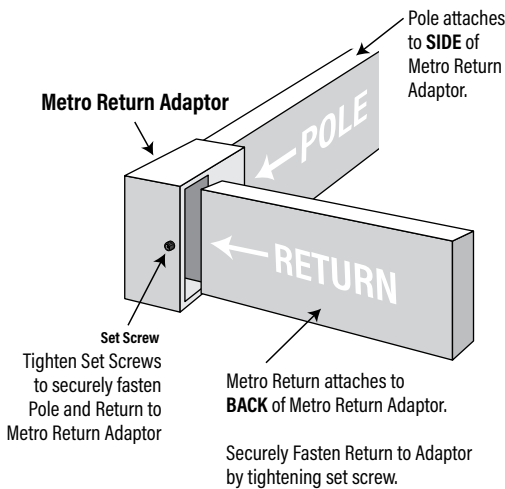
1 3/8" Metro Flat Poles are available up to 16 feet.

Metro Flat Poles are sold by the foot and cut to exact measurement. Cutting Fee: \$5.00 per cut.

Metro Flat Poles may be spliced using Internal Splice (135-4088-67). A bracket must be placed at splice location.



Metro Flat Pole Internal Splice

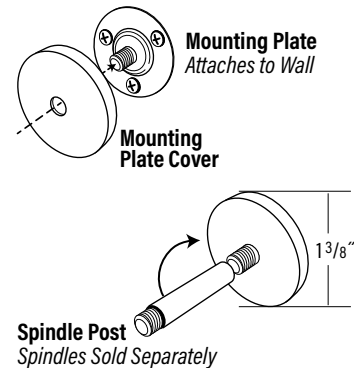


SELECT METAL - BRASS *Wholesale Price List*



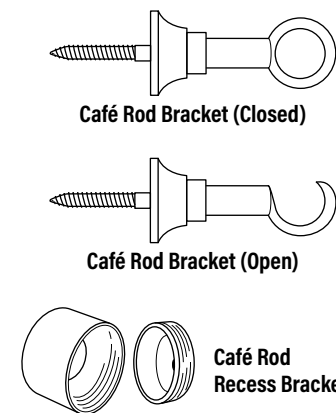
Rosettes and Spindles (Spindles sold separately)

ITEM NO.	FINISHES	DESCRIPTION	PRICE EACH
500-7032	07, 22, 27, 46, 67	Classic Rosette	11.00 ea.
	48, 65, 68	2 3/4" Diameter	12.00 ea.
500-7052	07, 22, 27, 46, 67	Urban Rosette	10.25 ea.
	48, 65, 68	2 1/4" Diameter	11.25 ea.
500-7112	07, 22, 27, 46, 67	Square Rosette	11.25 ea.
	48, 65, 68	2" Square	12.75 ea.
500-7012	07, 22, 27, 46, 67	Spindle - Projection: 2 1/8"	11.25 ea.
	48, 65, 68		12.75 ea.
500-7014	07, 22, 27, 46, 67	Spindle - Projection: 3 3/4"	12.00 ea.
	48, 65, 68		13.75 ea.



Café Rods

ITEM NO.	FINISHES	DESCRIPTION	PRICE EACH
112-0003	22, 46, 67	1/2" Café Rod - 3 Ft.	21.25 ea.
112-0006	22, 46, 67	1/2" Café Rod - 6 Ft.	39.75 ea.
112-1071	22, 46, 67	1/2" Ball Finial	5.25 ea.
112-1077	22, 46, 67	1/2" Aries Finial	7.50 ea.
112-2000	22, 46, 67	1/2" Inside Mount Recess Bracket	4.25 ea.
112-2001	22, 46, 67	1/2" Closed Café Rod Bracket - Return: 1 1/2"	8.75 ea.
112-2011	22, 46, 67	1/2" Open Café Rod Bracket - Return: 1 1/2"	8.75 ea.
112-3000	22, 46, 67	Round Rings with Liner - 10 per package I.D.: 3/4" - O.D.: 1 1/8"	13.00 pk.



Café Rods may be cut to specified measurement (\$5.00 per cut).

Swing Arms

ITEM NO.	FINISHES	DESCRIPTION	PRICE EACH
116-4620	22, 46, 67	5/8" Swing Arm - 20 Inches	61.75 ea.
116-4630	22, 46, 67	5/8" Swing Arm - 30 Inches	66.25 ea.
116-1071	22, 46, 67	5/8" Ball Finial	10.25 ea.
116-1077	22, 46, 67	5/8" Aries Finial	11.25 ea.
112-3000	22, 46, 67	Round Rings with Liner - 10 per package I.D.: 3/4" - O.D.: 1 1/8"	13.00 pk.

Swing Arms may be cut to specified measurement (\$5.00 per cut).

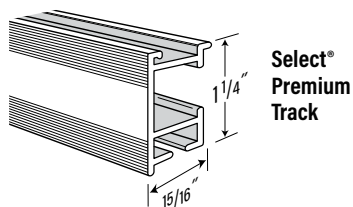
SELECT METAL TRAVERSE RODS - BRASS

Wholesale Price List



Select Metal Premium Assembled Traverse Rods

- Available for Pinch Pleat or Ripplefold® draperies.
- All sets include Heavy Duty installation brackets (94123 - Return: 3 1/2" - 4 1/2") and tension device.
- Decorative Brackets are available for a surcharge.
- Pinch Pleat Sets: Include approximately 3.5 wheeled carriers per foot. Surcharge for additional Premium carriers: \$1.35 each.
- Ripplefold Sets: Specify fullness: 60%, 80%, 100%, or 120%. Specify Overlap or Butt Masters. Select Ripplefold features wheeled carriers and masters.
- Heavy Duty anodized aluminum tracks are standard. Available in Bronze (17) or Aluminum (90) finish.
- Drapery weight for Select Premium tracks - 4 lbs. per foot.
- Maximum continuous set length - 16 ft.
- Maximum set length - 32 ft. Must be 2-way draw. Standard assembly for rods over 16 ft. - Fascia and track will be butted together in center and corded as a 2-way center draw rod. Internal Track Splice included.
- Rods less than 16 ft. may be spliced for shipping purposes. Internal Splice included.
- Optional Splice Covers are available for a surcharge.
- Cord Draw is standard.
- Optional hand draw must be specified. Hand draw option includes 36" White Fiberglass Baton.
- Coordinating Brass Batons are available for purchase.



Select Premium Tracks are available in 2 finishes:

Bronze (17) and Aluminum (90)

Select Metal Traverse Rods will be assembled with below track finish unless specified differently. These tracks are also available as assembled sets without decorative fascia.

Coordinating Track Finish for Fascia Finishes: (unless specified differently)

Aluminum Finish Track (90)

Gunmetal (65), Polished Nickel (68), Satin Brass (22), Steel (67)

Bronze Finish Track (17)

Bronze (07), Brushed Brass (27), Graphite (48), Matte Black (46)

Specify the Following When Ordering:

- **Rod Style:** Half Round Fascia or Metro Flat Fascia
- **Quantity**
- **Finish**
- **Track Width**
- **Draw** (Right, Left, or Center)
- **Cord Placement and Drop** (Standard 8 ft.)
- **Wall or Ceiling Mount**
- **Return:** 3 1/2" - 4 1/2" is Standard.
(If other, additional charges may apply)
- **Order Finials or End Caps Separately**
- **Ripplefold®:** Specify Overlap or Butt Masters and Fullness.

Ripplefold® is a registered trademark of Kirsch.

SELECT METAL TRAVERSE RODS - BRASS



Wholesale Price List

1 3/16" Half Round Fascia - Premium Traverse Rod Assembled Sets

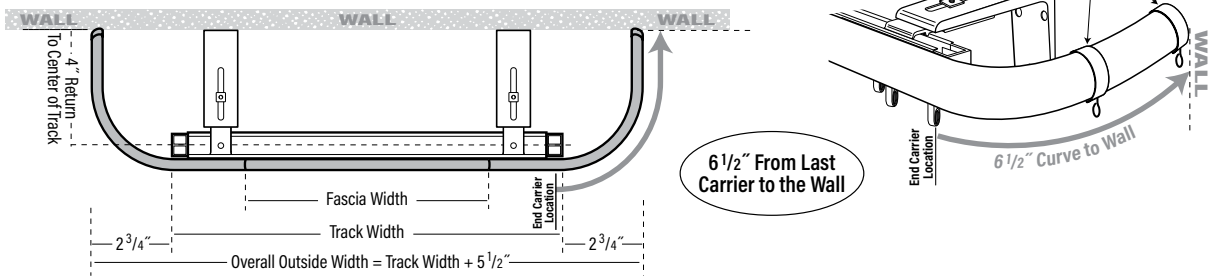
DESCRIPTION	FINISHES	PRICE
1 3/16" Smooth Half Round Metal Traverse Rod Assembled Set	07, 22, 27, 46, 48, 65, 67, 68	41.25 ft.

Finials and End Caps must be ordered separately. See Select Metal Brochure (2021SMB) for complete selection.

1 3/16" Half Round Premium Traverse Rod - Options

French Returns for 1 3/16" Half Round Traverse Rods (order rod by track width)

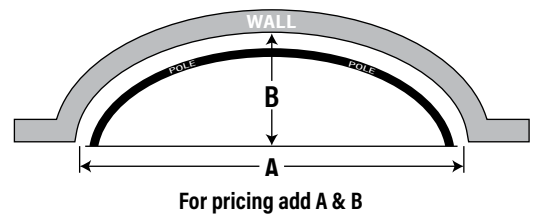
ITEM NO.	DESCRIPTION	FINISHES	PRICE
130-4164	French Return for Half Round Traverse Rods Includes 2 Half Round French Return Set Rings	07, 22, 27, 46, 48, 65, 67, 68	35.75 ea.
130-3916	Half Round French Return Set Rings	07, 22, 27, 46, 48, 65, 67, 68	5.25 ea.



1 3/16" Continuous Curved Half Round Traverse Rod

DESCRIPTION	FINISHES	PRICE
1 3/16" Smooth Half Round Metal Traverse Rod	07, 22, 27, 46, 48, 65, 67, 68	41.25 ft.

- Continuous Curved Rods are priced by the foot plus curving surcharge. For pricing add "A" and "B".
 - A Template is required
 - Specify Return
- Curving Surcharge** - NET \$ 12.25 per foot
Crating Surcharge - NET \$ 50.00 per crate. Identical rods may be packed in 1 crate



1 3/8" Metro Flat Fascia - Premium Traverse Rod Assembled Sets

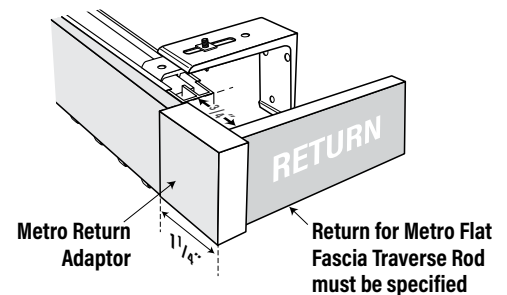
DESCRIPTION	FINISHES	PRICE
1 3/8" Metro Flat Fascia Metal Traverse Rod	07, 22, 27, 46, 48, 65, 67, 68	41.25 ft.

Finials, End Caps, and Metro Return Adaptors must be ordered separately:
See Select Metal Brochure (2021SMB) for complete selection.

Metro Return Adaptor for Metro Flat Fascia Traverse Rods

ITEM NO.	DESCRIPTION	PRICE
135-4080	Metro Return Adaptor for Metro Flat Fascia Traverse Rods Finishes: 07, 22, 27, 46, 48, 65, 67, 68	24.00 ea.

Includes Fascia Return - Must Specify Return



Premium Traverse Rod Assembled Sets - TRACK ONLY

DESCRIPTION	FINISHES	PRICE
Assembled Premium Traverse Rod Set without Fascia	17, 90	18.00 ft.

07 - Bronze	22 - Satin Brass	27 - Brushed Brass	46 - Matte Black	48 - Graphite	65 - Gunmetal	67 - Steel	68 - Polished Nickel
-------------	------------------	--------------------	------------------	---------------	---------------	------------	----------------------

SELECT METAL TRAVERSE RODS - BRASS

Wholesale Price List



Surcharges and Options

Bracket Surcharges

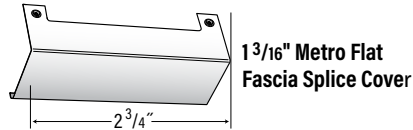
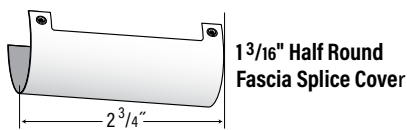
ITEM NO.	DESCRIPTION	RETURN	FINISHES	PRICE
130-2064	Round Decorative Traverse Rod Bracket	4"	All 8 Brass finishes	21.50 ea.
130-2066	Round Decorative Ext. Traverse Rod Bracket	5 1/2"	All 8 Brass finishes	26.00 ea.
130-2067	Round Double Decorative Traverse Rod Bracket	7 1/2"	All 8 Brass finishes	53.00 ea.
130-2164	Square Decorative Traverse Rod Bracket	4"	All 8 Brass finishes	23.25 ea.
130-2166	Square Decorative Ext. Traverse Rod Bracket	5 1/2"	All 8 Brass finishes	27.25 ea.
130-2167	Square Double Decorative Traverse Rod Bracket	7"	All 8 Brass finishes	57.75 ea.
130-2097	1 3/16" Combination Pole / Traverse Rod Bracket	7 1/2"	All 8 Brass finishes	47.25 ea.
94125	6" Projection Bracket - 5 1/2" Return Recommended	5 1/2"	25 (White), 85 (Bronze), 90 (Aluminum)	14.50 ea.

Baton and Splice Covers

130-4009	1 3/16" Half Round Fascia Splice Cover	All Brass Finishes	8.25ea.
135-4008	Metro Flat Fascia Splice Cover	All Brass Finishes	8.25ea.
500-4700	39" Metal Baton	07, 22, 27, 46, 67 48, 65, 68	38.25ea. 41.75ea.
500-4300	39" Heavy Duty Plexi Baton	01 (Clear)	29.25ea.

Brackets Required Determined by Rod Length:

Up to 57"	2 Brackets
58" to 85"	3 Brackets
86" to 113"	4 Brackets
114" to 140"	5 Brackets
141" to 168"	6 Brackets
169" to 192"	7 Brackets



Double Mount Sets - Options and Surcharges

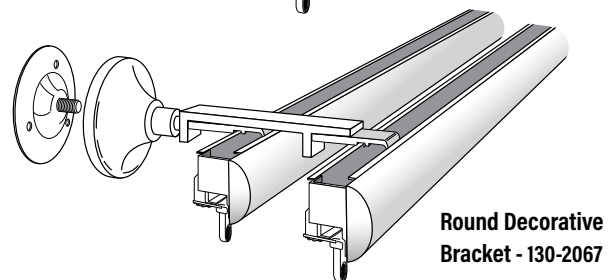
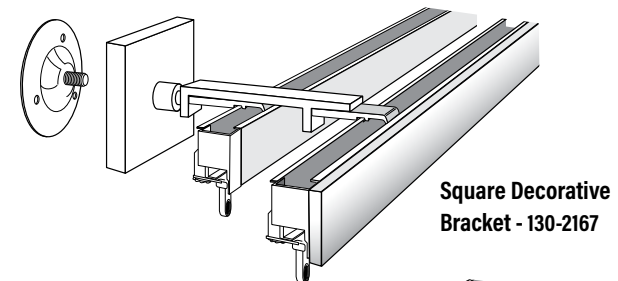
- Available with back rod as "track only" or with fascia attached to cover the back track.
- Standard Double Mount Brackets (94125) are included with sets.
- Decorative Double Brackets are available for a surcharge.

Back Track without fascia attached - Add \$18.00 per foot.

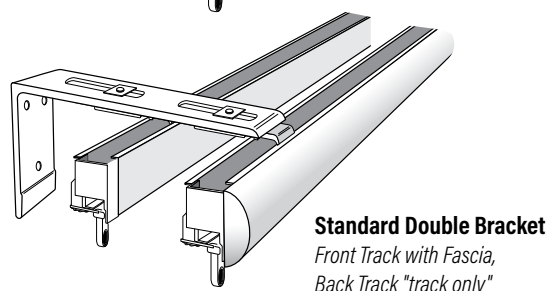
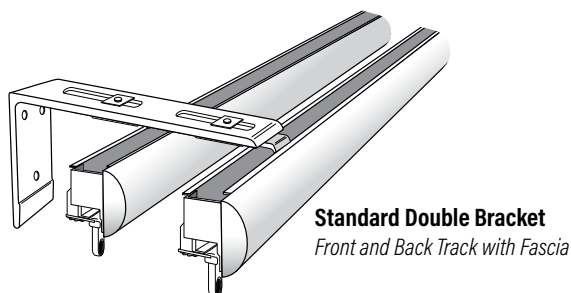
Half Round or Metro Flat Fascia attached to Back Track

- Add \$41.25 per foot (With this option End Caps must be ordered).

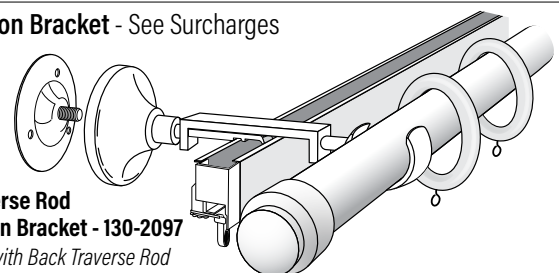
Decorative Double Mount Brackets - See Surcharges



Standard Double Mount Brackets - Included with Sets



Combination Bracket - See Surcharges



- Specified with Back Traverse Rod
- Pole on Front, Traverse Rod on Back
- Front Poles and Finals must be ordered separately.

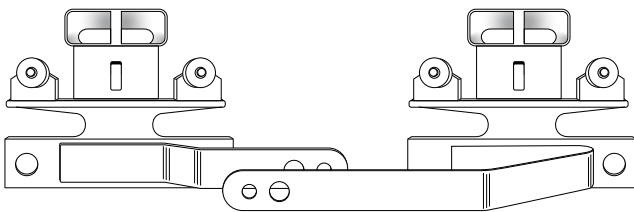
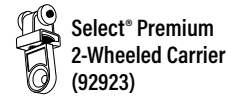
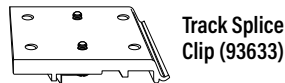
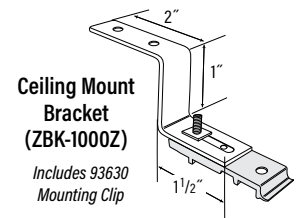
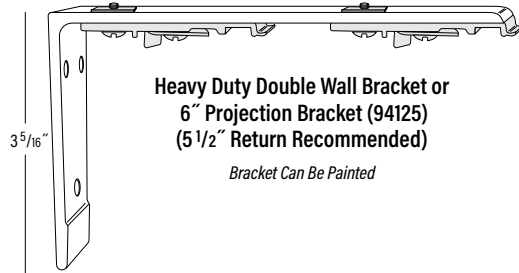
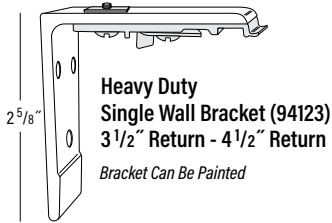
Packaging / Handling Surcharge: A packaging / handling surcharge of \$10.00 per rod will be added for all traverse rods over 144" wide.

SELECT METAL TRAVERSE RODS - BRASS

Wholesale Price List



Standard Select Metal Traverse Rod Set Components



Pinch Pleat Traverse Rod Masters
(92910) Left Underlap (92911) Right Overlap

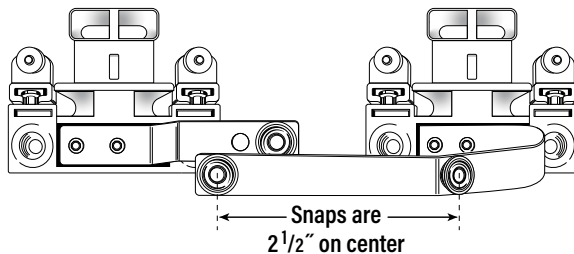
1 3/16" Half Round Internal Splice - 130-4099-67



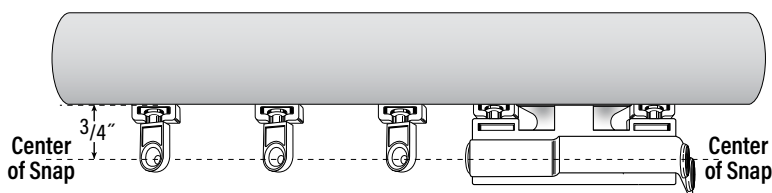
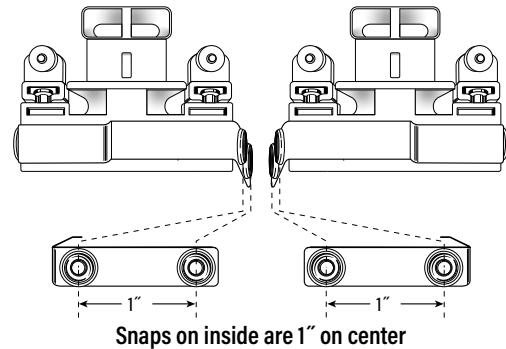
Metro Flat Fascia Internal Splice - 135-4088-67



Ripplefold® Overlap Masters
(92920) Left Underlap (92930) Right Overlap



Ripplefold® Butt Masters
(92941-L) Left (92941-R) Right



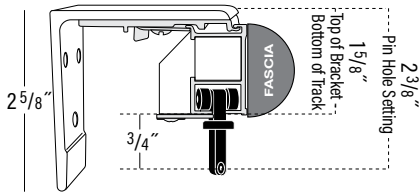
SELECT METAL TRAVERSE RODS - BRASS



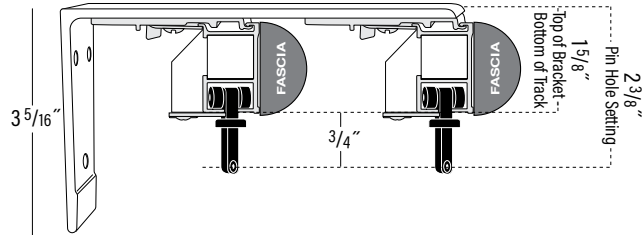
Wholesale Price List

Traverse Rod Bracket Details

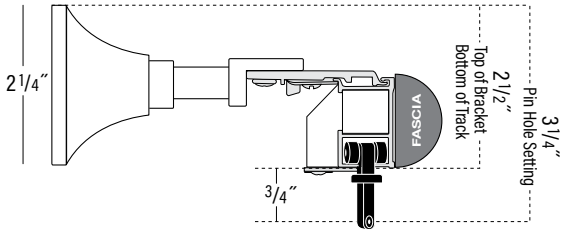
Standard Heavy Duty Single Wall Bracket (94123)
3 1/2" Return - 4 1/2" Return



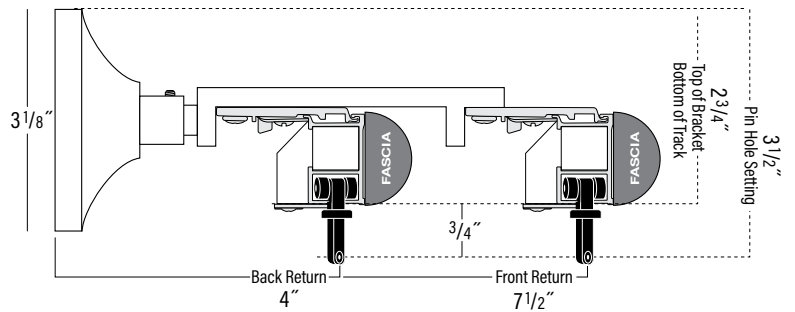
Standard Heavy Duty Double Wall Bracket (94125)
5 1/2" - 6" Return



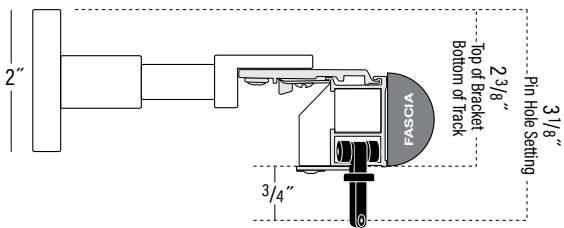
Round Traverse Decorative Bracket (130-2064) - 4" Return
Round Decorative Extended Traverse Bracket (130-2066) - 5 1/2" Return



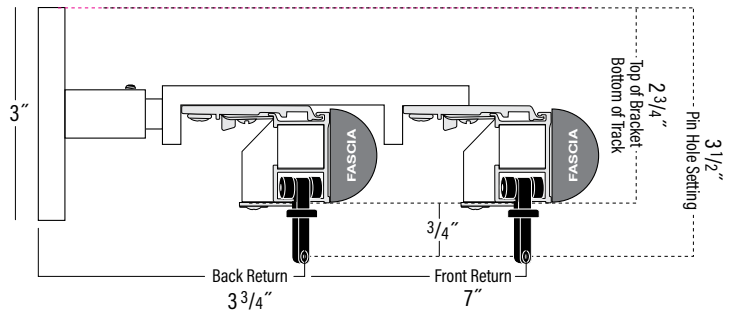
Round Double Decorative Traverse Bracket (130-2067) - 7 1/2" Return



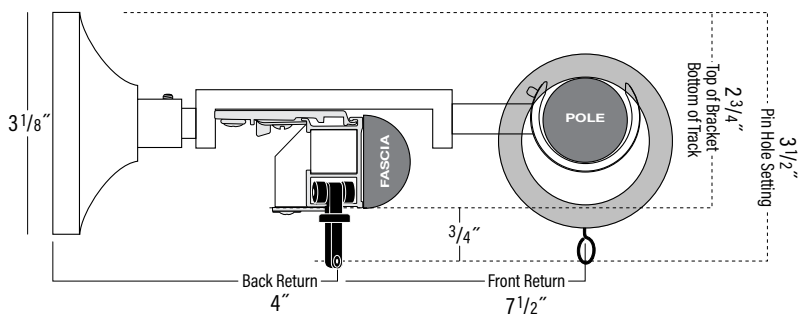
Square Traverse Decorative Bracket (130-2164) - 4" Return
Square Decorative Extended Traverse Bracket (130-2166) - 5 1/2" Return



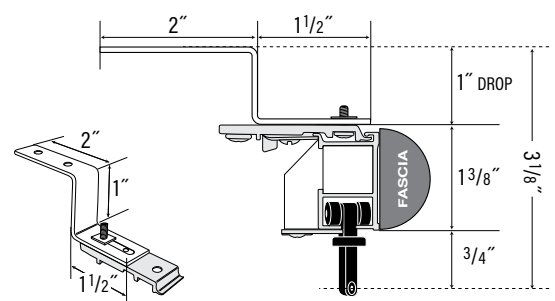
Square Double Decorative Traverse Bracket (130-2167) - 7" Return



Combination Pole/Traverse Rod Bracket (130-2097)



Ceiling Mount Bracket (ZBK-1000Z)





Cortina Collection Traverse Rod Assembled Sets

- Cortina Collection includes Sintra, Obidos, and Coimbra traverse rod sets.
- Cortina Traverse Rod Assembled Sets are made to exact measurements.
- Available for use with Pinch Pleat or Ripplefold Draperies.
- Single and Double Rod Sets are available. Double Rod Sets - front and back rods are the same track.
- Hand Draw or Cord Draw.
- Maximum continuous set length - 236". Rods may be spliced for longer lengths or for shipping purposes. Must be 2-way draw. Splice Included.

All Assembled Sets include:

Assembled Rod, End Caps, Brackets, Carriers and Masters.

Pinch Pleat - Includes 3.5 heavy duty ball bearing carriers per foot.
Drapery weight capacity - 4 lbs per foot.

Ripplefold - Includes Ripplefold Slide Carriers with 60%, 80%, 100%, or 120% fullness. Use with Standard Ripplefold Snap Tape. Overlap or Butt Masters are available.
Drapery weight capacity - 2 lbs per foot.

Hand Draw - Batons are not included and must be ordered separately.

Cord Draw - Includes tension device.

CORTINA TRAVERSE RODS *Wholesale Price List*

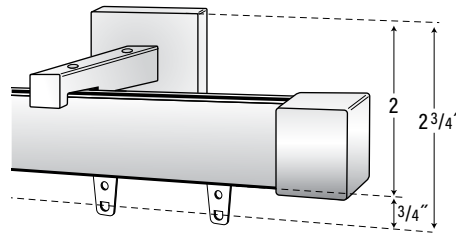


Assembled Sets Include Coordinating End Caps and Brackets

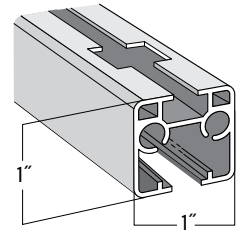
Sintra Traverse Rod Sets

DESCRIPTION	FINISHES	PRICE
Sintra Single Traverse Rod	AP, BC, BL, NB	27.00 ft.
Sintra Double Traverse Rod	AP, BC, BL, NB	54.00 ft.

Rods may be spliced for longer lengths or for shipping purposes.



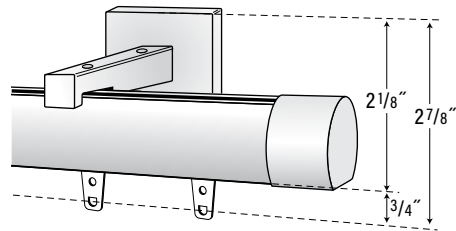
Pin Hole Setting for Sintra Traverse Rod



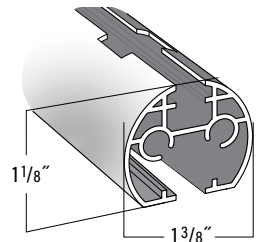
Obidos Traverse Rod Sets

DESCRIPTION	FINISHES	PRICE
Obidos Single Traverse Rod	AP, BC, BL, NB	32.50 ft.
Obidos Double Traverse Rod	AP, BC, BL, NB	64.50 ft.

Rods may be spliced for longer lengths or for shipping purposes.



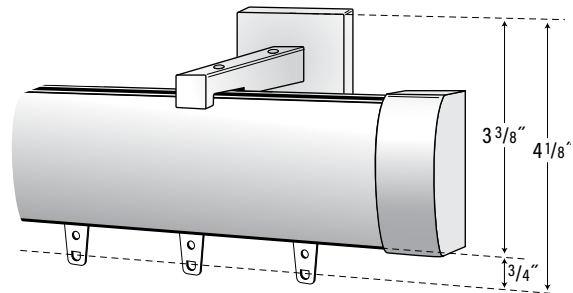
Pin Hole Setting for Obidos Traverse Rod



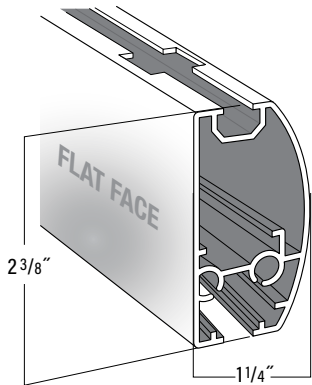
Coimbra Traverse Rod Sets

DESCRIPTION	FINISHES	PRICE
Coimbra Single Traverse Rod	AP, BC, BL, NB	37.00 ft.
Coimbra Double Traverse Rod	AP, BC, BL, NB	72.75 ft.

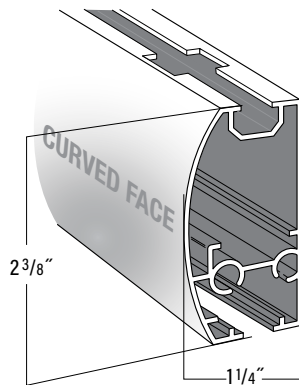
Rods may be spliced for longer lengths or for shipping purposes.



Pin Hole Setting for Coimbra Traverse Rod



Flat Face Front Option



Curved Face Front Option

Batons for Cortina Traverse Rods

(must be ordered separately)

DESCRIPTION	FINISHES	ITEM #	PRICE
39" Metal Baton	A	61.20	22.50 ea.
39" Heavy Duty Plexi Baton	01 (Clear)	500-4300	29.25 ea.

Specify the Following When Ordering:

- **Track Design** - Sintra, Obidos, or Coimbra
Coimbra - Must specify if front face is curved or flat.
- **Track Width** - Includes End Caps
- **Track Finish** - Brackets and End Caps will be color coordinated unless specified differently.
- **Single or Double Rod Set**
- **Draw** (Right, Left, or Center). Hand or Cord Draw.
Cord Draw: Must specify cord drop and placement.
- **Pinch Pleat or Ripplefold:**
Ripplefold: Specify Fullness: 60%, 80%, 100%, or 120%. Overlap or Butt Masters.
- **Wall or Ceiling Mount**
- **Ceiling Mount** - Specify 2 1/4" drop or flush mount
- **Single Sets Wall Mount** - Specify return, 3 1/4" or 6 1/4"

Packaging / Handling Surcharge: A packaging / handling surcharge of \$10.00 per rod will be added for all traverse rods over 144" wide.

Steel - A, AP	Champagne - BC	Gloss White - BL	Gloss Black - NB
---------------	----------------	------------------	------------------

CORTINA TRAVERSE RODS *Wholesale Price List*



Cortina Collection

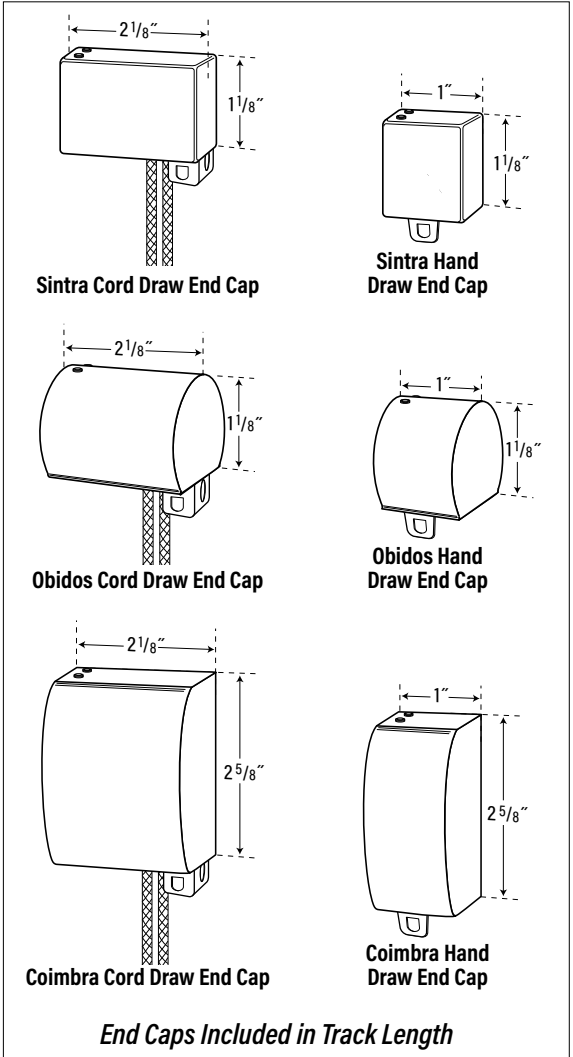
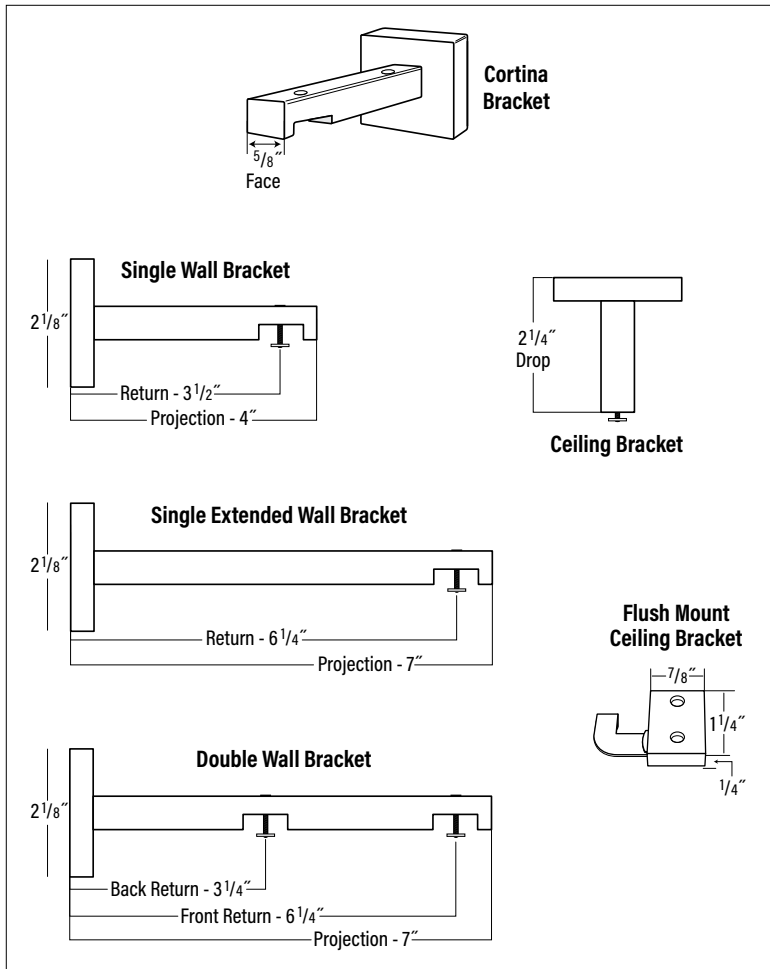
Cortina Traverse Rod Brackets

(pricing when additional brackets are required)

DESCRIPTION	FINISHES	ITEM #	PRICE
Wall Bracket - 4" Projection	A, BC, BL, NB	20.113	25.75 ea.
Wall Bracket - 7" Projection	A, BC, BL, NB	20.115	31.50 ea.
Double Wall Bracket - 7" Projection	A, BC, BL, NB	25.113	31.50 ea.
Ceiling Bracket - 2 1/4" Drop	A, BC, BL, NB	20.114	26.00 ea.
Flush Mount Plastic Ceiling Bracket	White	20.131	2.00 ea.

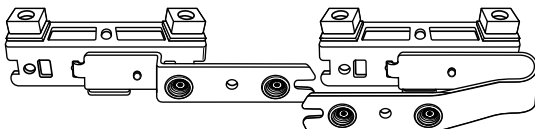
Brackets Included Determined by Rod Length:

Up to 60"	2 Brackets
61" to 90"	3 Brackets
91" to 120"	4 Brackets
121" to 150"	5 Brackets
151" to 180"	6 Brackets
181" to 210"	7 Brackets
211" to 236"	8 Brackets



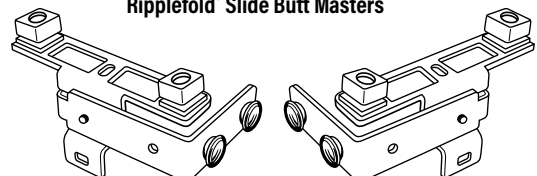
Ripplefold® Slide Masters

Ripplefold® Slide Overlap Masters



Snaps are 1 3/8" on Center

Ripplefold® Slide Butt Masters



Snaps are 1" on Center

Steel - A, AP

Champagne - BC

Gloss White - BL

Gloss Black - NB



3/4" Poles

ITEM NO.	FINISHES	DESCRIPTION	PRICE EACH
120-0006	845	3/4" Pole - 6 Ft.	20.50 ea.
	815, 857, 865		22.75 ea.
120-0008	845	3/4" Pole - 8 Ft.	26.75 ea.
	815, 857, 865		29.25 ea.
120-0012	845	3/4" Pole- 12 Ft.	41.25 ea.
	815, 857, 865		49.25 ea.

Poles may be cut to specified measurement (\$5.00 per cut) or spliced for longer lengths using 1³/₁₆" Internal Pole Splice (120-4999).

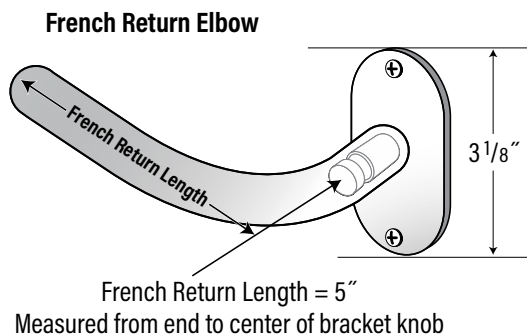
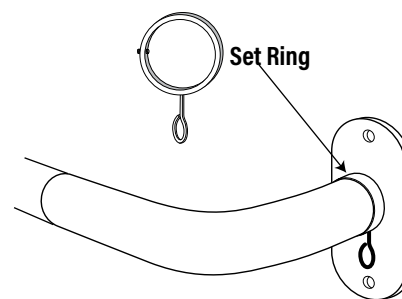
* Poles cut to 92" or less may reduce the shipping cost.

Finials and End Caps For Use With 3/4" Poles

ITEM NO.	FINISHES	DESCRIPTION	PRICE EACH
120-1060	845	3/4" Iron End Cap	5.75 ea.
	815, 857, 865		6.50 ea.
120-1061	845	3/4" Iron Ball Finial	16.25 ea.
	815, 857, 865		17.50 ea.
120-1062	845	3/4" Capri End Cap	10.00 ea.
	815, 857, 865		11.00 ea.
120-1063	845	3/4" Argo Finial	10.50 ea.
	815, 857, 865		11.50 ea.
120-1064	845	3/4" Avalon Finial	13.25 ea.
	815, 857, 865		14.25 ea.
120-1065	845	3/4" Cypress Finial	16.75 ea.
	815, 857, 865		18.25 ea.
120-1066	845	3/4" Royal Finial	23.75 ea.
	815, 857, 865		26.00 ea.
120-1067	845	3/4" Valor Finial	15.50 ea.
	815, 857, 865		16.75 ea.
120-1068	845	3/4" Grenada Finial	10.00 ea.
	815, 857, 865		11.00 ea.

French Return Elbows For Use With 3/4" Poles

ITEM NO.	FINISHES	DESCRIPTION	PRICE EACH
120-4063	845	3/4" French Return Elbow - includes pole connector Return: 3 1/4"	35.75 ea.
	815, 857, 865		39.25 ea.
120-3966	845	3/4" French Return Set Ring	3.25 ea.
	815, 857, 865		3.75 ea.



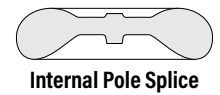
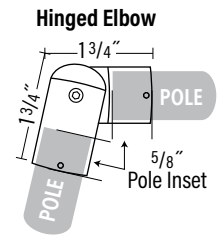


Brackets For Use With 3/4" Poles

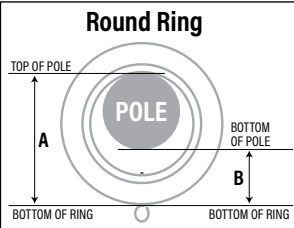
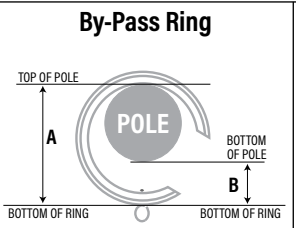
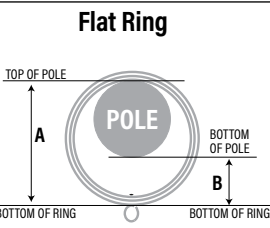
ITEM NO.	FINISHES	DESCRIPTION	PRICE EACH
120-2603	845	3/4" Iron Wall Bracket	14.25 ea.
	815, 857, 865	Return: 3 1/4"	15.75 ea.
120-2606	845	3/4" Iron Extended Wall Bracket	17.00 ea.
	815, 857, 865	Return: 5 1/2"	18.75 ea.
120-2613	845	3/4" Iron Center Support Bracket	14.25 ea.
	815, 857, 865	Return: 3 1/4"	15.75 ea.
120-2616	845	3/4" Iron Extended Center Support Bracket	17.00 ea.
	815, 857, 865	Return: 5 1/2"	18.75 ea.
120-2623	845	3/4" Iron By-Pass Bracket	17.00 ea.
	815, 857, 865	Return: 3 1/4"	18.75 ea.
120-2626	845	3/4" Iron Extended By-Pass Bracket	19.25 ea.
	815, 857, 865	Return: 5 1/2"	21.25 ea.
120-2636	845	3/4" Iron Double Wall Bracket	18.75 ea.
	815, 857, 865	Front Return: 5 1/2" - Back Return: 3 1/4"	20.25 ea.
120-2646	845	3/4" Iron Double Center Support Bracket	18.75 ea.
	815, 857, 865	Front Return: 5 1/2" - Back Return: 3 1/4"	20.25 ea.
120-2653	845	3/4" Iron Ceiling Bracket	15.50 ea.
	815, 857, 865	Drop: 2 3/4"	16.75 ea.
120-2000	845	3/4" Inside Mount	13.00 ea.
	815, 857, 865	Recess Bracket	14.50 ea.

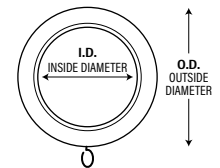
Rings and Accessories For Use With 3/4" Poles

ITEM NO.	FINISHES	DESCRIPTION	PRICE EACH
120-3400	845	3/4" Flat By-Pass Ring with Liner	3.00 ea.
	815, 857, 865	I.D.: 1 1/4" - O.D.: 1 5/8"	3.25 ea.
120-3600	845	3/4" Flat Ring with Liner	2.75 ea.
	815, 857, 865	I.D.: 1 1/8" - O.D.: 1 1/2"	3.00 ea.
120-3700	845	3/4" Round Ring with Liner	2.00 ea.
	815, 857, 865	I.D.: 1 1/8" - O.D.: 1 5/8"	2.50 ea.
120-4053	845	3/4" Hinged Elbow	22.75 ea.
	815, 857, 865		24.50 ea.
500-4600	845	3/4" Iron Baton	24.00 ea.
	815, 857, 865		26.00 ea.
120-4999	67	3/4" Internal Pole Splice	7.00 ea.



3/4" Rings

	 Round Ring TOP OF POLE POLE BOTTOM OF POLE BOTTOM OF RING A B	 By-Pass Ring TOP OF POLE POLE BOTTOM OF POLE BOTTOM OF RING A B	 Flat Ring TOP OF POLE POLE BOTTOM OF POLE BOTTOM OF RING A B
	ROUND RING 120-3700 for use with 3/4" Pole	BY-PASS RING 120-3400 for use with 3/4" Pole	FLAT RING 120-3600 for use with 3/4" Pole
A = Top of Pole to Bottom of Ring	1 1/2"	1 3/8"	1 1/4"
B = Bottom of Pole to Bottom of Ring	5/8"	5/8"	1/2"





1 3/16" Poles

ITEM NO.	FINISHES	DESCRIPTION	PRICE EACH
130-0006	845	1 3/16" Pole - 6 Ft.	26.75 ea.
	815, 857, 865		29.25 ea.
130-0008	845	1 3/16" Pole - 8 Ft.	35.75 ea.
	815, 857, 865		39.25 ea.
130-0012	845	1 3/16" Pole - 12 Ft.	53.25 ea.
	815, 857, 865		58.50 ea.

Poles may be cut to specified measurement (\$5.00 per cut) or spliced for longer lengths using 1 3/16" Internal Pole Splice (130-4999).

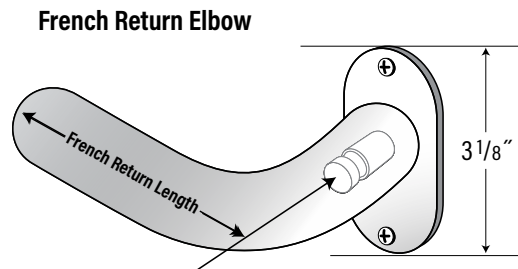
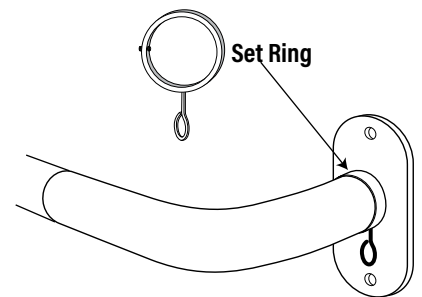
* Poles cut to 92" or less may reduce the shipping cost.

Finials and End Caps For Use With 1 3/16" Poles

ITEM NO.	FINISHES	DESCRIPTION	PRICE EACH
130-1060	845	1 3/16" End Cap	6.75 ea.
	815, 857, 865		7.25 ea.
130-1061	845	1 3/16" Ball Finial	23.75 ea.
	815, 857, 865		26.00 ea.
130-1062	845	1 3/16" Capri End Cap	20.25 ea.
	815, 857, 865		21.75 ea.
130-1063	845	1 3/16" Argo Finial	22.50 ea.
	815, 857, 865		24.50 ea.
130-1064	845	1 3/16" Avalon Finial	17.50 ea.
	815, 857, 865		19.25 ea.
130-1065	845	1 3/16" Cypress Finial	26.25 ea.
	815, 857, 865		28.50 ea.
130-1066	845	1 3/16" Royal Finial	25.50 ea.
	815, 857, 865		28.25 ea.
130-1067	845	1 3/16" Valor Finial	23.25 ea.
	815, 857, 865		25.50 ea.
130-1068	845	1 3/16" Grenada Finial	12.75 ea.
	815, 857, 865		14.00 ea.

French Return Elbows For Use With 1 3/16" Poles

ITEM NO.	FINISHES	DESCRIPTION	PRICE EACH
130-4063	845	1 3/16" French Return Elbow - includes pole connector Return: 3 1/2"	46.50 ea.
	815, 857, 865		50.50 ea.
130-3966	845	1 3/16" French Return Set Ring	5.50 ea.
	815, 857, 865		6.00 ea.



French Return Length = 5"
Measured from end to center of bracket knob

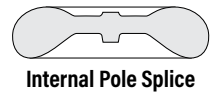
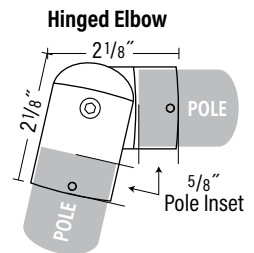


Brackets For Use With 1 3/16" Poles

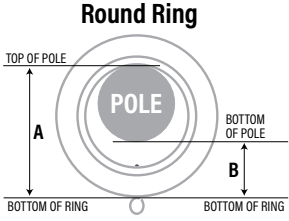
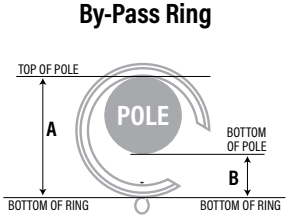
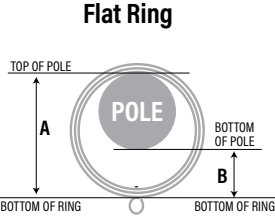
ITEM NO.	FINISHES	DESCRIPTION	PRICE EACH
130-2603	845	1 3/16" Iron Wall Bracket	15.00 ea.
	815, 857, 865	Return: 3 1/2"	16.25 ea.
130-2606	845	1 3/16" Iron Extended Wall Bracket	17.50 ea.
	815, 857, 865	Return: 5 3/4"	19.25 ea.
130-2613	845	1 3/16" Iron Center Support Bracket	15.00 ea.
	815, 857, 865	Return: 3 1/2"	16.25 ea.
130-2616	845	1 3/16" Iron Extended Center Support Bracket	17.50 ea.
	815, 857, 865	Return: 5 3/4"	19.25 ea.
130-2623	845	1 3/16" Iron By-Pass Bracket	17.50 ea.
	815, 857, 865	Return: 3 1/2"	19.25 ea.
130-2626	845	1 3/16" Iron Extended By-Pass Bracket	20.25 ea.
	815, 857, 865	Return: 5 3/4"	21.75 ea.
130-2636	845	1 3/16" Iron Double Wall Bracket	20.25 ea.
	815, 857, 865	Front Return: 6 1/4" - Back Return: 3 3/8"	21.75 ea.
130-2646	845	1 3/16" Iron Double Center Support Bracket	20.25 ea.
	815, 857, 865	Front Return: 6 1/4" - Back Return: 3 3/8"	21.75 ea.
130-2653	845	1 3/16" Iron Ceiling Bracket	16.00 ea.
	815, 857, 865	Drop: 3 1/4"	17.25 ea.
130-2000	845	1 3/16" Inside Mount Recess Bracket	21.00 ea.
	815, 857, 865		23.00 ea.

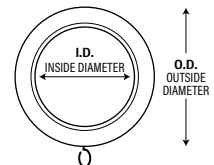
Rings and Accessories For Use With 1 3/16" Poles

ITEM NO.	FINISHES	DESCRIPTION	PRICE EACH
130-3400	845	1 3/16" Flat By-Pass Ring with Liner	4.00 ea.
	815, 857, 865	I.D.: 1 5/8" - O.D.: 2"	4.25 ea.
130-3600	845	1 3/16" Flat Ring with Liner	3.75 ea.
	815, 857, 865	I.D.: 1 3/4" - O.D.: 2"	4.00 ea.
130-3700	845	1 3/16" Round Ring with Liner	3.75 ea.
	815, 857, 865	I.D.: 1 5/8" - O.D.: 2 3/8"	4.00 ea.
130-4053	845	1 3/16" Hinged Elbow	31.25 ea.
	815, 857, 865		34.00 ea.
500-4600	845	39" Iron Baton	24.00 ea.
	815, 857, 865		26.00 ea.
130-4999	67	1 3/16" Internal Pole Splice	9.00 ea.



1 3/16" Rings

	 Round Ring	 By-Pass Ring	 Flat Ring
	ROUND RING 130-3700 for use with 1 3/16" Pole	BY-PASS RING 130-3400 for use with 1 3/16" Pole	FLAT RING 130-3600 for use with 1 3/16" Pole
A = Top of Pole to Bottom of Ring	2"	1 7/8"	1 7/8"
B = Bottom of Pole to Bottom of Ring	7/8"	5/8"	3/4"





Iron Works Wall and Ceiling Brackets

3/4" Standard Single, Double, and Extended

3/4" Single, Double, and Extended Center Support Bracket

3/4" Iron Ceiling Bracket

1 3/16" Standard Single, Double, and Extended

1 3/16" Single, Double, and Extended Center Support Bracket

1 3/16" Iron Ceiling Bracket

Iron Works By-Pass Brackets

3/4" By-Pass Bracket

1 3/16" By-Pass Bracket

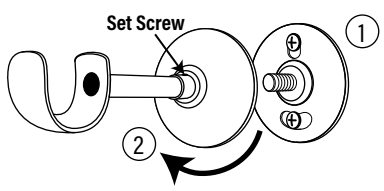
Iron Works Inside Mount Recess Brackets

3/4" Recess Bracket


1 3/16" Recess Bracket

Standard Bracket

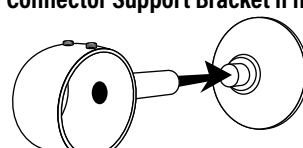
1. Secure Round Mounting Plate to Wall
2. Screw Bracket Onto Mounting Plate



Loosen Set Screw to level Bracket Cup if needed.

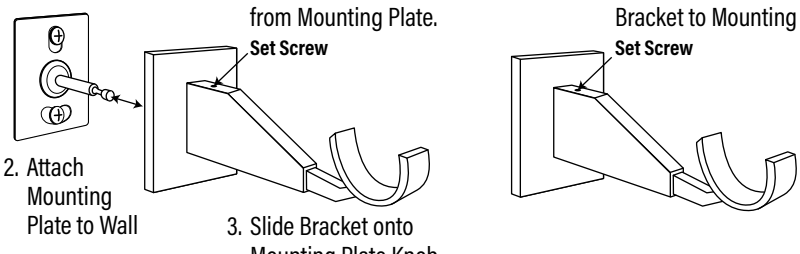


Loosen Set Screw to release Bracket Arm of Connector Support Bracket if needed.



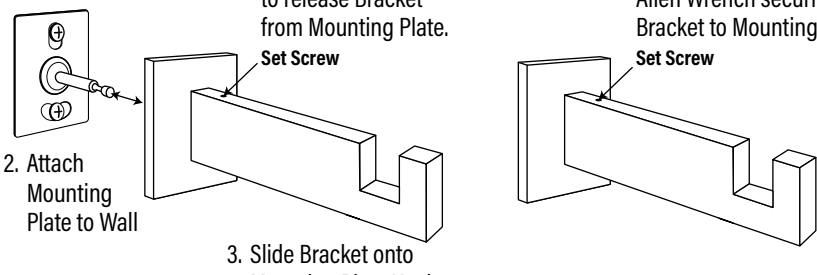
Urban Bracket with By-Pass Option

1. Loosen Set Screw to release Bracket from Mounting Plate.
2. Attach Mounting Plate to Wall
3. Slide Bracket onto Mounting Plate Knob.
4. Tighten Set Screw with Allen Wrench securing Bracket to Mounting Plate.

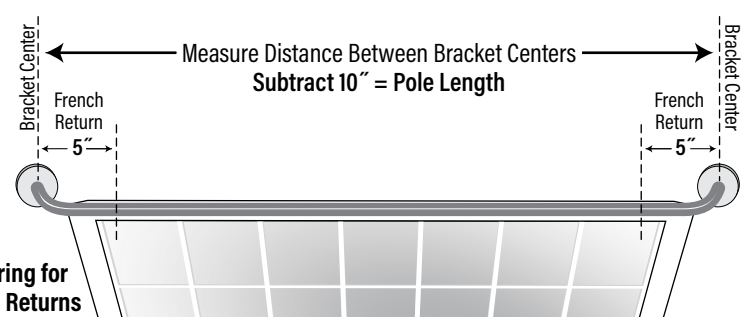


Metro Bracket

1. Loosen Set Screw to release Bracket from Mounting Plate.
2. Attach Mounting Plate to Wall
3. Slide Bracket onto Mounting Plate Knob.
4. Tighten Set Screw with Allen Wrench securing Bracket to Mounting Plate.

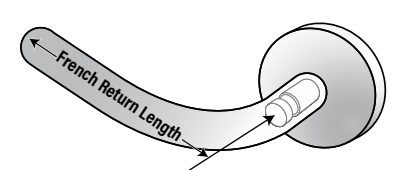
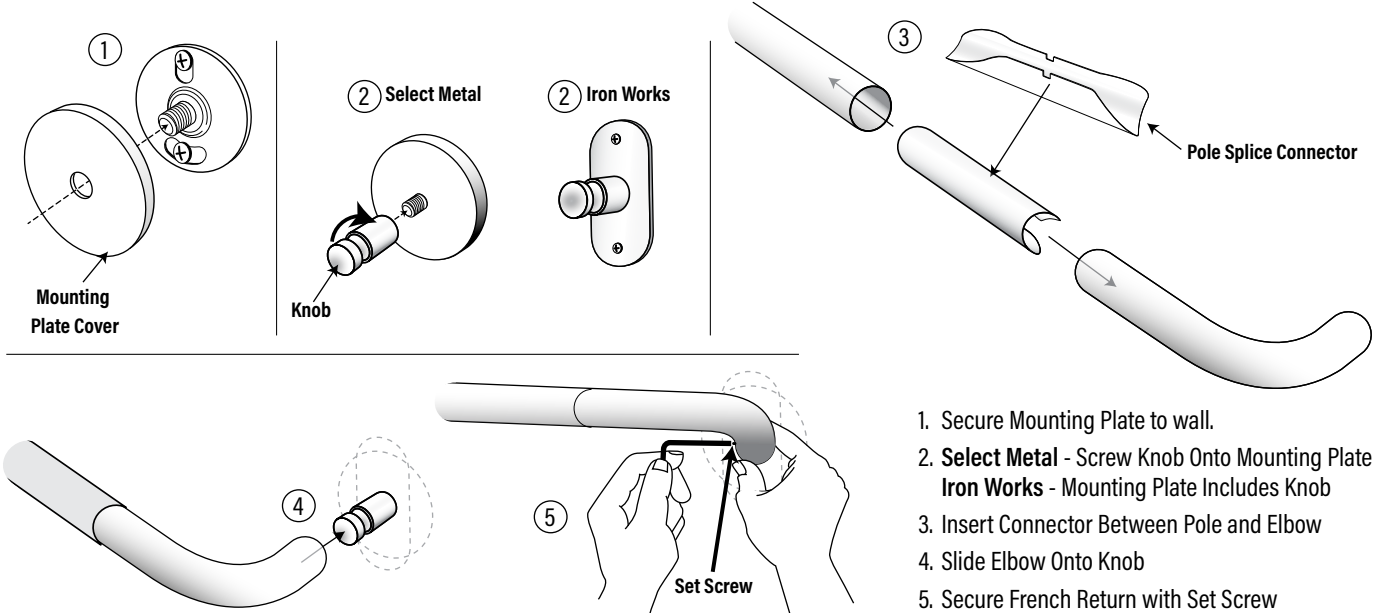


French Return Measuring and Installation



Measure Distance Between Bracket Centers
Subtract 10" = Pole Length

French Return = 5" Measured from end to center of bracket knob

1. Secure Mounting Plate to wall.
2. **Select Metal** - Screw Knob Onto Mounting Plate
Iron Works - Mounting Plate Includes Knob
3. Insert Connector Between Pole and Elbow
4. Slide Elbow Onto Knob
5. Secure French Return with Set Screw

SELECT METAL - SALES AIDS *Wholesale Price List*



Sales Aids

ITEM NO.	DESCRIPTION	DIMENSIONS	PRICE EACH
2017SELM	Select Metal Collection Finish Selector <i>Includes: 12 Finish Samples on a chain</i>		\$12.00
2019SWB	Select Product Binder <i>Includes: Select Metal & Wood Brochures, Wholesale Price Lists, and Finish Samples</i>		\$50.00
2020SELM	Select Metal Collection Table Top Display <i>Includes: 11 Poles in the 8 Brass Collection Finishes</i>	16" X 7 1/2"	\$150.00
2017SELM	Select Metal Collection Table Top Display <i>Includes: 11 Poles in Brushed Brass, Gunmetal, Polished Nickel, Satin Brass, Steel, and the 4 Iron Works Finishes</i>	16" X 7 1/2"	\$150.00
2020SELMDB1	Select Metal Collection Wall Display Board <i>Includes: 5 Pole Sets in Brushed Brass, Gunmetal, Matte Black, Satin Brass, & Steel</i>	28" W X 36" H	\$265.00
2020SELMDB2	Select Metal Collection Wall Display Board <i>Includes: 5 Pole Sets in Bronze, Brushed Brass, Graphite, Polished Nickel, & Steel</i>	28" W X 36" H	\$265.00
2017SELMIWDB	Select Metal Iron Works Collection Wall Display Board <i>Includes: 5 Pole Sets in 4 Iron Works finishes</i>	28" W X 36" H	\$265.00
2021SMB	2021 Select Metal Brochure		\$1.50
2023SMPL	Select Metal Wholesale Price List		\$1.50



Select Metal
Finish Selector
2017SELM

Select Metal Table Top Displays



Select
Product Binder
2019SWB



2020SELM

2017SELM

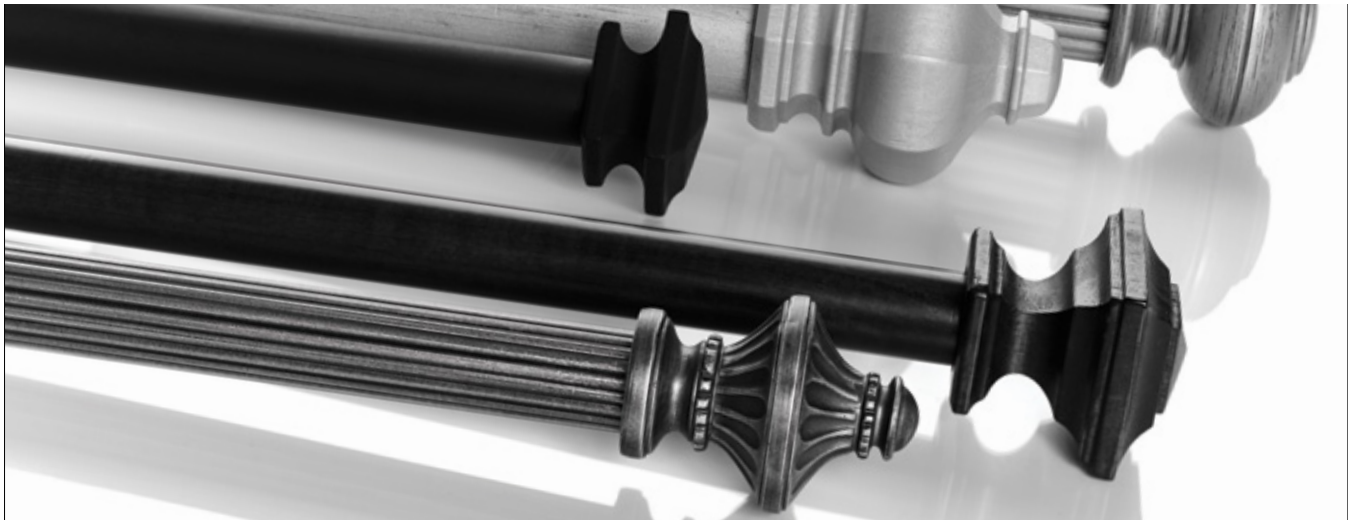
Select Metal Wall Displays



2020SELMDB1

2020SELMDB2

2017SELMIWDB



SELECT WOOD COLLECTION

Select Drapery Hardware also includes the Select Wood Collection. Select Wood includes a choice of thirteen stunning finishes for 1 3/8" and 2 1/4" poles, traverse rods, and accessories.

The Select Wood Collection is included in the Select Drapery Hardware Product Binder, 2019SWB, and can also be viewed on the Select Drapery Hardware website.



www.selectdraperyhardware.com

LIFETIME LIMITED WARRANTY

Selective Enterprises, Inc. provides a lifetime limited warranty on all Select Drapery Hardware and Select Traverse Rods. Selective Enterprises, Inc. warrants that these products will be free from defects due to faulty workmanship or materials. This warranty extends to the original residential retail purchaser.

If a Selective Enterprises, Inc. product is found to be defective during the warranty period we will, at our discretion, repair or replace the defective product at no charge. Repair or replacement of defective products is the sole remedy under this warranty. In no event shall Selective Enterprises, Inc. be liable for costs to remove, replace, transport, or reinstall products purchased from Selective Enterprises. Furthermore, Selective Enterprises will not be responsible for any incidental or consequential damages.

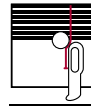
This warranty does not cover normal wear and tear or any damage or loss by accidents, alterations, improper use, abuse, neglect, improper installation, cleaning, or other maintenance. The warranty shall be void if product is moved from its original installed location. Select products may gradually lose color intensity after long exposure to direct sun. This color loss is not covered by the warranty.

All cords eventually wear out. This is considered normal wear and tear not covered by warranty. The warranty does not cover removal, installation, replacement, or shipping costs.



www.selectdraperyhardware.com

 **WARNING**
ADVERTENCIA



Window Treatment Cord Can **STRANGLE** Your Child. To prevent strangulation, purchase cordless products with inaccessible cords.

La cuerda de la persiana puede **ESTRANGULAR** a su niño. Para evitar el estrangulamiento, compre alternativas cuerdo o productos con cuerdas inaccesibles.



Revised November 2022
2023SMPL-D