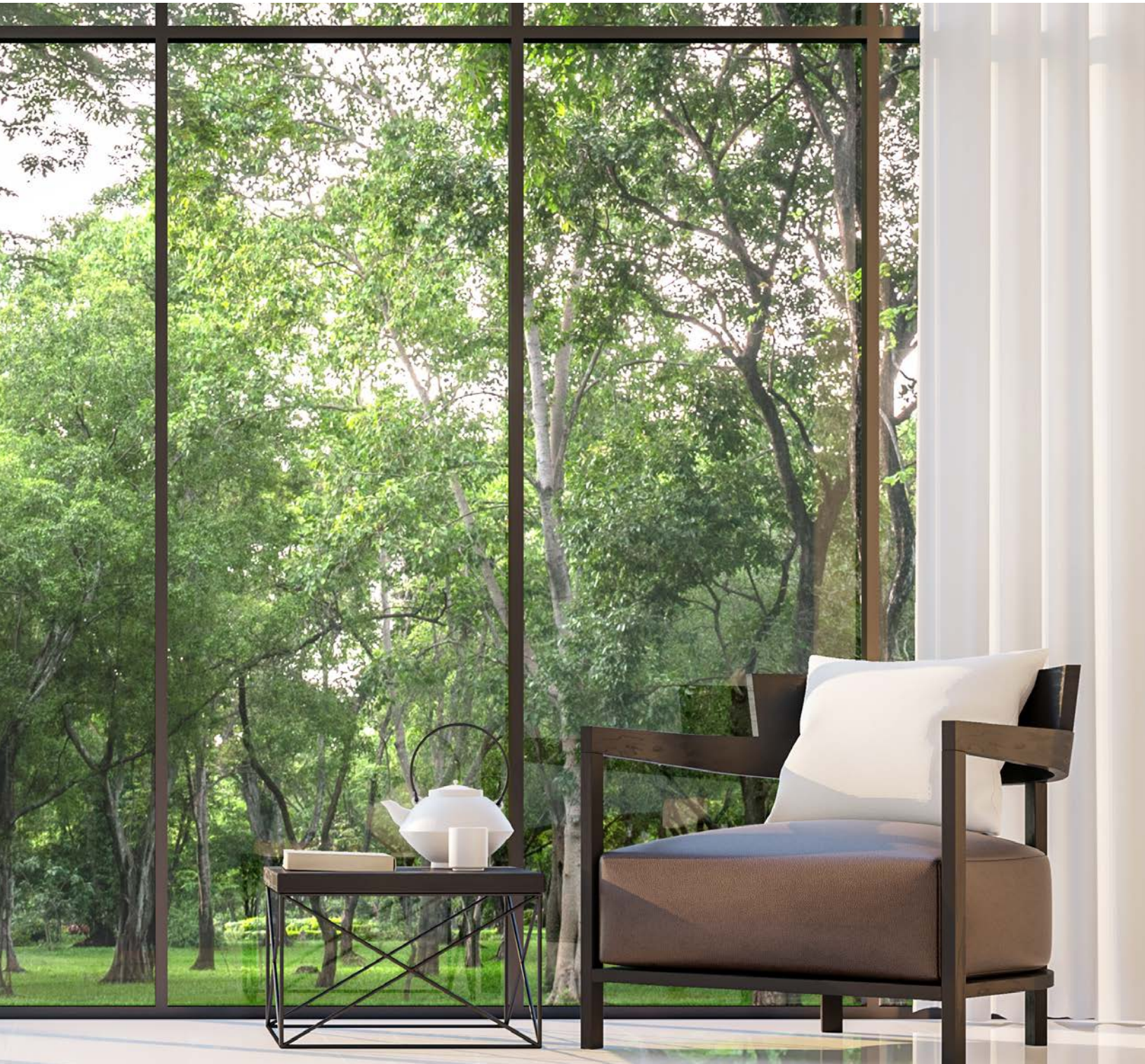


Product Guide & Retail Price List



Motorized and Manual Shading Systems

Residential

Hospitality

Commercial

Drapery Systems | Roller Shades | Exterior Shades
Roman Shades | Wood Blinds | Vertical Blinds



All BTX motorized systems are high value items and in some cases may require crating in order to ensure safe, damage-free shipment. Standard packaging charges are not included in prices shown. Freight and crating costs for large or unique products may vary depending on size of shipment. These will need to be evaluated on a per-order basis and may be subject to additional fees. Most trucking companies and common carriers charge higher rates for residential deliveries and oversized crates. Please contact factory for estimates.

While most products use electronic limits, some motorized systems feature internal mechanical limit switches. These systems are typically pre-set at the factory for automatic stop at open and close positions. It is recommended that the shade installer have a BTX motor test cable for job site testing to make limit adjustments when required.

BTX provides control solutions that are custom designed for your project. For complete pricing information on switches, IR or radio remote, low voltage interface, and other controls, please call the factory for more information.

This Price Guide has been designed so you will be able to select the motorization system that best meets your specific requirements at the best price level.

Contact a BTX Team Member for further information or assistance about:

- The choice or availability of fabrics
- Wiring and control methods
- How to integrate BTX motorized products into home automation systems and networks
- Design/installation questions
- Other matters concerning BTX products

***All prices shown are F.O.B. factory. Custom crating charges may apply.
Prices are subject to change without prior notice.
1-800-422-8839 or 214-340-2800 and www.btxinc.com***



Since 1985, BTX has led the industry in motorized window coverings. Starting with a vision for a niche market, BTX has grown from a one-man operation to a multi-million dollar business serving luxury properties throughout the world. Motorization, once a specialty application, is now a mainstream solution that helps to make residential, commercial, and hospitality environments technologically advanced and user friendly. At the cutting edge of technology, BTX continues to strive forward in the constant pursuit of innovation. With the beautiful range of Coullisse fabrics and advanced motorization options from multiple brands, BTX continues to offer one of the most comprehensive programs available in the market.

In this pricing catalog, you will find a wide range of manual and motorized window coverings solutions to suit nearly any requirement. BTX takes great pride in our ability to provide precision-built products with only the highest quality at a competitive price. When you purchase a BTX automated shading system, you're purchasing more than just a product for your window; you're also acquiring the support of a full team of professionals to help you every step of the way. Whether you have a simple project with one shade, or a large commercial job, BTX Team Members are well versed in the nuances of our industry and will help you find the best fit for your clients.

To stay current on the latest products and services by BTX, be sure to visit our website at btxinc.com. Here, you can view our online fabric portfolio to browse our fabric collection and even order fabric samples. Be sure to also view our project showroom, where you can see beautiful images of installed BTX products. Be sure and check our website for the latest BTX has to offer.

Drapery Systems	7
Tumo Drapery.....	11
Classic Drapery	18
Aura Drapery	23
Somfy Glydea	24
Rollease Automate.....	25
Roller Shade Systems.....	27
Fabric Information.....	31
Product Accessories Information.....	41
S-Class.....	45
M-Class	54
L-Class	63
XL-Class	72
Exterior Shading Systems	81
Fabric Index	87
ExoScreen	91
ExoScreen HD.....	101
ExoLite.....	111
Roman Shade Systems	121
Wood Blind Systems	127
Vertical Blind Systems.....	139
Control Accessories.....	147
Warranty/Terms and Conditions.....	154

The BTX Intelligent Fashion program of turnkey automated window coverings systems offers a choice of three market-leading automation systems:



Each of the product lines are available with a unique choice of premium fabrics and materials by:



BTX Automated Shading Systems

BTX automated shading systems are powered by BTX's personally designed line of motors and controls. These controls provide a solid range of functionality at a very competitive price point.

Provide your clients a full range of control with BTX products using a simple handsender or wall switch, or let us build a fully customized control set for your project. If you need help finding the right product or control solution, just speak with a BTX Team Member to get the right solution for your job.

Somfy by BTX

BTX offers a complete program of turnkey motor and control solutions designed to integrate with the most commonly used applications in the market. As such, some instances within the customer environment require Somfy compatible shading and control solutions. To meet these requirements, BTX offers a full range of Somfy motors and controls that can be customized for your particular project.

Rollese Acmeda by BTX

BTX fabricates and distributes a wide range of Rollese Acmeda products. With the recent addition of a full motorization and control line, Rollese automation systems deliver a well-designed wireless shading solution with options for basic or advanced controls. The highlight of the Rollese program is in their line of rechargeable battery powered motors that allow you to do larger shades with exceptional performance and user experience.

Coulisse by BTX

The Coulisse Portfolio comprises of a luxury line of hardware and textiles designed to transform automated window coverings from solely functional devices to a perfect balance of fashion and technology. Heavily distributed in Europe, the Coulisse program features a complete range of truly unique fabric options that deliver a modern sophistication and exciting personality to your environments.



BTX Intelligent Fashion offers the most comprehensive shading program available in the market today. With a wide range of products, completely built-to-spec, BTX automated window coverings systems bring a modern touch to any interior. Whether your projects call for automation of just a few products, an entire home environment, or thousands in a commercial building, BTX offers unique methods of creating a technologically advanced solution with virtually unlimited combinations.

BTX Intelligent Fashion products combine BTX's strong technical background with the latest trends in interior design to deliver a well rounded product that delivers both form and function. BTX's emphasis on user experience takes the hassle off of our customers by offering a wealth of control options and a full service team to stand behind each and every product.

If you want to offer a differentiated product with a strong reputation at a reasonable price, BTX automation systems are the way to go.



BTX is THE supplier for drapery systems. Whether your clients are looking for large, curved, customized, or complicated products, or something that's extremely user-friendly, BTX has a solution for you. From residential to hospitality, BTX automation systems can transform any environment. Everything from simple remote control to integration with complete building automation systems can be built-to-spec. BTX Team Members are eager to help walk you through the best possible scenario for your project.



The BTX Drapery program is comprised of five product lines. Each product line has its own set of features and benefits that will compliment your project. Some products are more designer-oriented and user-friendly, while others are designed to operate in some of the most demanding applications. With a range of build styles and control options, BTX has one of the most comprehensive programs in the industry.

Tumo Drapery System

- DC motors with transformer
- Internal Radio Control (RF) (*built into motor*)
- Internal Contact closure (*built into motor*)
- Current-sensing limits
- Universal drive gears
- Smart Touch touch control
- 16 in. minimum curve radius

Classic Drapery System

- AC motors
- External Control Modules available
- Mechanical limits
- Invertable motors
- 14 in. minimum curve radius

Somfy Drapery System

- AC motors
- Multiple control platforms available (RTS, DCT, RS485)
- Current-sensing, adjustable limits
- Smart Touch touch control
- 20 in. minimum curve radius

Aura Drapery System

- DC motors with transformer
- Internal Radio Control (RF) (*built into motor*)
- Internal Contact closure (*built into motor*)
- Auto-calibration
- Current-sensing, adjustable limits
- Universal drive gears
- Smart Touch touch control
- Speed control
- Invertable motors
- 14 in. minimum curve radius

Rollease Automate Drapery System

- AC motors with transformer
- Internal Radio Control (RF) (*built into motor*)
- Internal Contact closure (*built into motor*)
- Current-sensing, adjustable limits
- Universal drive gears
- Smart Touch touch control
- Speed control
- 20 in. minimum curve radius

How to Price Motorized Drapery Systems

Drapery systems are provided as hardware only, and are built to specification. See the steps below to see how to price out your drapery systems:

- 1 Review the general information as well as the specific information for each type of drapery system to make sure you are selecting the most appropriate solution for your project. Consider factors such as pulling capacity, control type, curve radius, etc.
- 2 Round your desired track dimension up to the nearest foot, and match that dimension in the price grid to locate the listed retail price. Note, any widths over 18 ft. will be automatically spliced.

System Retail Pricing by Width									
	1 ft.	2 ft.	3 ft.	4 ft.	5 ft.	6 ft.	7 ft.	8 ft.	9 ft.
	12 in.	24 in.	36 in.	48 in.	60 in.	72 in.	84 in.	96 in.	108 in.
Tumo HD	\$1,023	\$1,065	\$1,107	\$1,149	\$1,191	\$1,233	\$1,275	\$1,317	\$1,359
	13 ft.	14 ft.	15 ft.	16 ft.	17 ft.	18 ft.	19 ft.	20 ft.	21 ft.
	156 in.	168 in.	180 in.	192 in.	204 in.	216 in.	228 in.	240 in.	252 in.
	\$1,527	\$1,569	\$1,611	\$1,653	\$1,695	\$1,737	\$1,779	\$1,821	\$1,863
	25 ft.	26 ft.	27 ft.	28 ft.	29 ft.	Tracks over 18 ft. are automatically spliced.			32 ft.

Example: 102 in. track would price out under the 108 in. grid price.

- 3 Review the options and surcharges and include any additional fees required to finalize your track configuration.

Product Options and Surcharges	
Motor Options	
Tumo HD Tandem.....	\$775
<i>Example: Add \$775 to your grid price for a Tumo HD Tandem motors.</i>	
Control Options	
Handsender (1 or 6-Channel White).....	\$125
Wireless Wallswitch (2-Ch or 5-Ch).....	\$175
Contact Closure Lead, 5 ft.....	\$20
Extended Power Transformer Lead.....	\$10/foot

- 4 Be sure to include the price for your control device (handsender, wall switch etc.) For custom control scenarios, call us for assistance and pricing.

Product Options and Surcharges	
Motor Options	
Tumo HD Tandem.....	\$775
Control Options	
Handsender (1 or 6-Channel White).....	\$125
<i>Example: Add \$125 to your grid price for Handsender.</i>	
Extended Power Transformer Lead.....	\$10/foot

For system requirements outside the listed specifications, give us a call to review options and availability.

Curved Template Construction

1. Begin with construction paper exceeding the length and depth of the curve.
2. Have a marker, tape measure and tape for securing construction paper.
3. Place the construction paper onto the ceiling or floor (whichever follows the proper curvature).
4. Use tape to secure construction paper.
5. With marker, clearly define pocket depth, stacking side, motor placement and center line of track.
6. Indicate whether the template was marked with the track above (A) or below (B) (see fig.1). Carrier placement is critical for proper curvature.
7. Mark the radius of the curve.
8. Indicate the distance from the window or wall to the center of the track.

IMPORTANT: clear all obstacles (i.e. electrical, handles, and sills).

9. Clearly define important measurement points:
 - a. Motor placement
 - b. Exact stopping point of track on template.
 - c. Estimate fullness and carrier count, ceiling or wall mount.

NOTE: Provide as much detail as possible (including room location).

10. The following measurements are critical to the precision of computerized track curving (see fig. 3):
 - a. Distance across to stopping points (cord length-A).
 - b. Distance from center of stopping points, back to apex of curve (height-B).
 - c. Total measurement of curve (track width-C).
11. Please consult a BTX representative for specialty curving applications. Certain curving applications require special attention and adjustments (see example below).

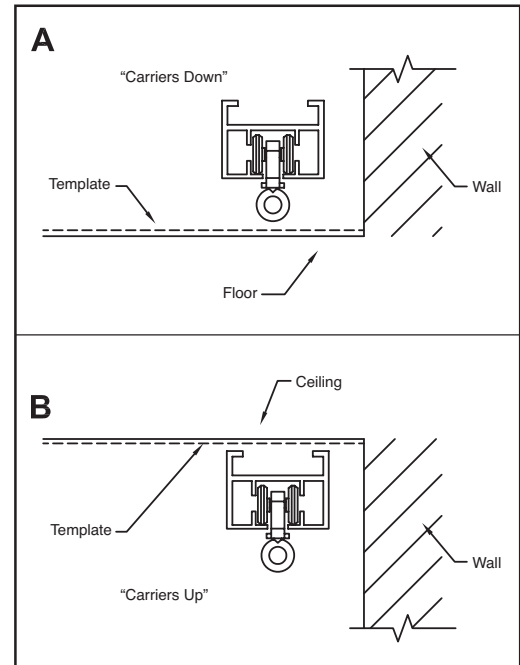


Figure 1

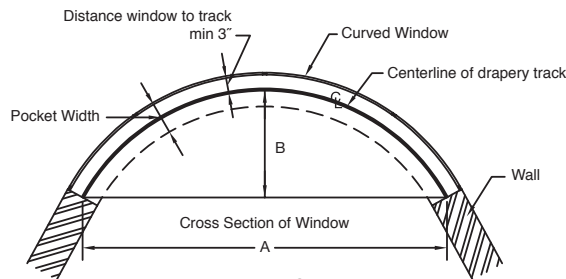
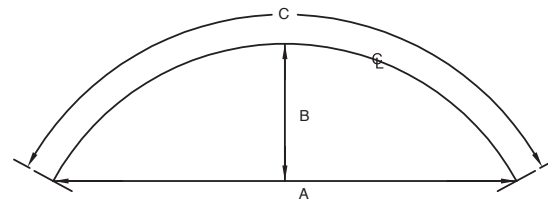


Figure 2



Template Showing Center Line of Drapery Track

Figure 3

NOTE: It is **IMPORTANT** that these measurements represent the center of the track, if the template line has been drawn along wall or window you must indicate the distance between center of track and the template line.

NOTE: See parameters on pages 6 and 8 for minimal allowable radius of each drapery style.

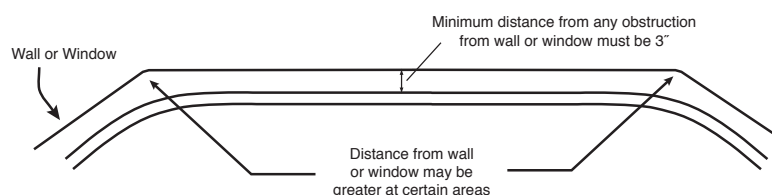


Figure 4



The Tumo line of automated drapery systems by BTX Intelligent Fashion provides a perfect balance of power and control. With built in control options, the Tumo program easily gives access to local control with handsenders or wireless switches, or lets you connect with your favorite automation system via contact closure. Tumo systems also feature manual hand operation as an override, to help safeguard unknowing users, generally in high-traffic areas. If your project goes beyond the listed specifications, give us a call so a Team Member can go over our specialty system options.

Features

- Built-in radio for quick installation and easy operation
- Up to six systems, or six groups of systems, per handsender
- 2-channel or 5-channel wireless wallswitch
- Built-in contact closure port for easy automation integration
- Pinch pleat and RippleFold/AccordiaFold carrier styles.
- Standard, extended, or buttmaster style overlap arms
- Track can be custom curved
- Track can be powder coated
- Motor hangs below the track
- Track configurations include one-way, split draw, offset split, or multi-stack
- Smart Touch disengagement feature for manual operation
- Current sensing limits for automatic stops
- Power supply is compatible with standard 110V/220V wall outlet

Specifications

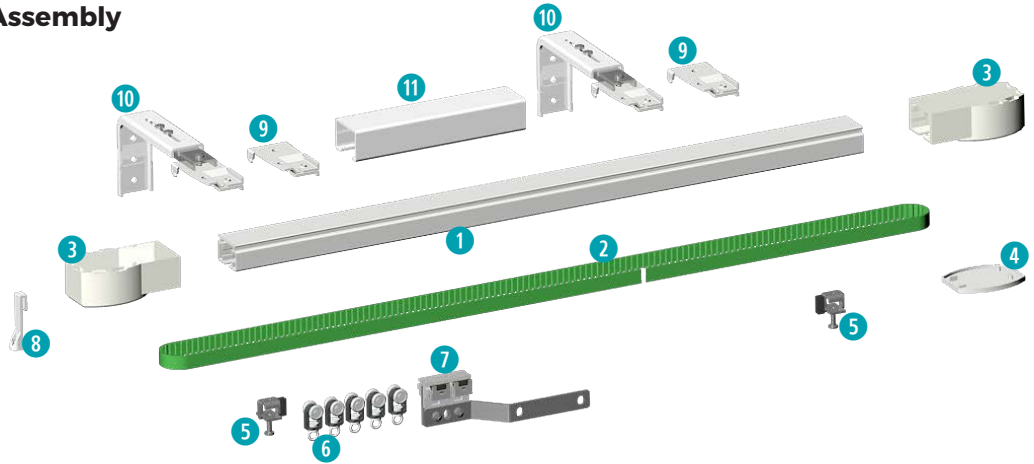
- Power Specifications
- Tumo HD: 24V DC
 - Power Supply: AC/DC transformer from 110V/220V to 24V DC, 1500mA (UL/CSA listed)
 - Power Supply cord length is 5 ft. from wall to transformer, then 5 ft. from transformer to motor
 - Motor speed is 12 in. per second
- Pinch Pleat carrier spacing is 3 in. standard. RippleFold and AccordiaFold carriers are available
- RippleFold carriers are available in 60%, 80%, 100%, and 120% fullness. REqual or Kirsch snape tape.
- Track is spliced after 16 ft. unless otherwise requested (all curved tracks are evaluated for splicing)
- Minimum curve radius is 16 in.
- Bracket spacing is 20 in. standard with 10 in. spacing at the stack ends

Tumo Drapery Systems

Configurations

Tumo Drapery Headrail Assembly

- 1 310.6070 - Headrail White
- 2 290.3005 - Drive Belt
- 3 266.5105 - Drive, Box White
- 4 266.5110 - Drive, Box Cover White
- 5 240.7530 - Carrier Stopper
- 6 240.7505 - Swivel Carrier
- 7 266.4955 - Drive Runner
- 8 246.0650 - Clip Motor Back White
- 9 236.1625 - Ceiling Mount Bracket
- 10 236.1863 - Wall Mount Bracket
- 11 246.2220 - HD Splice White



Tumo Drapery Motor Options

101.9020 - Tumo HD Motor



400.2300 - AC/DC Power Adaptor



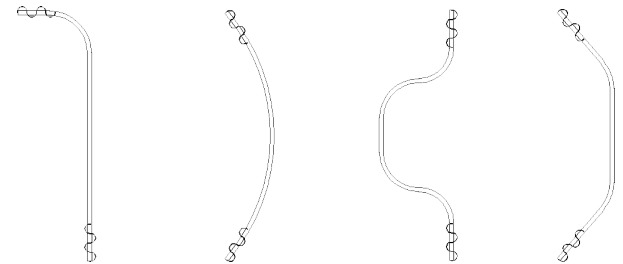
Note: Some components available in alternate colors.



Single Motor System

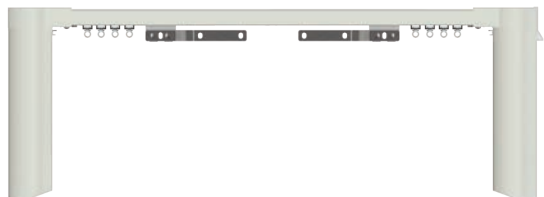


Available Curves

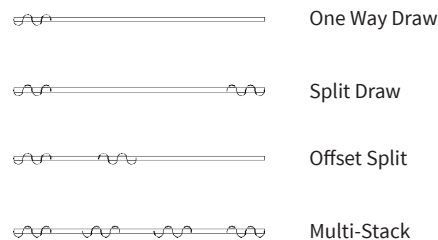


Single Bend Single Continuous Reverse Bends Multiple Bends

Tandem Motor System

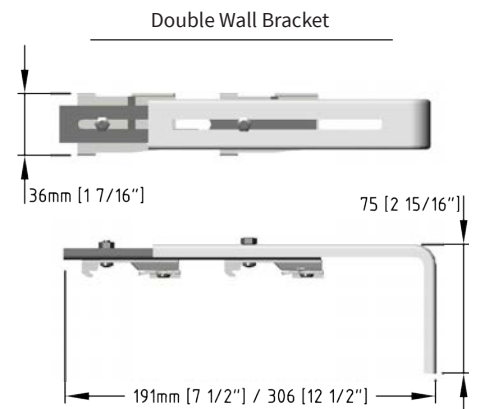
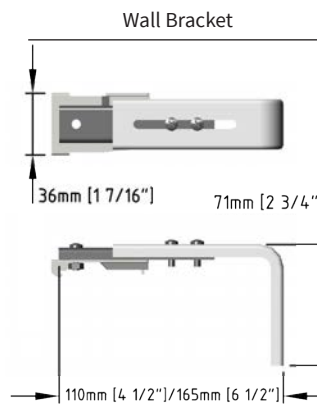
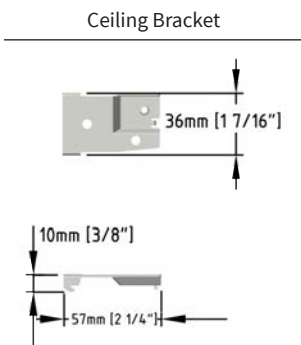
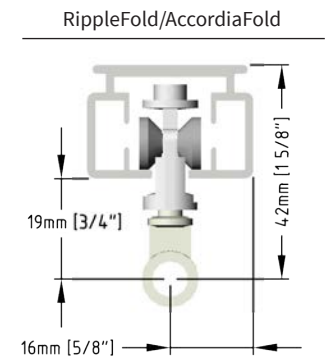
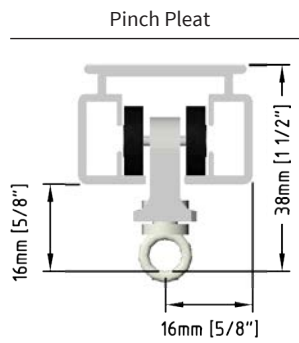
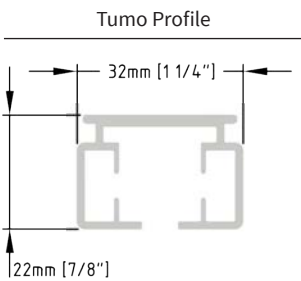
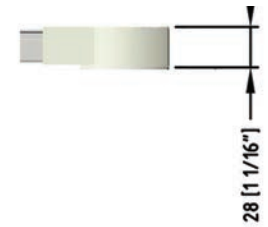


Stack Options



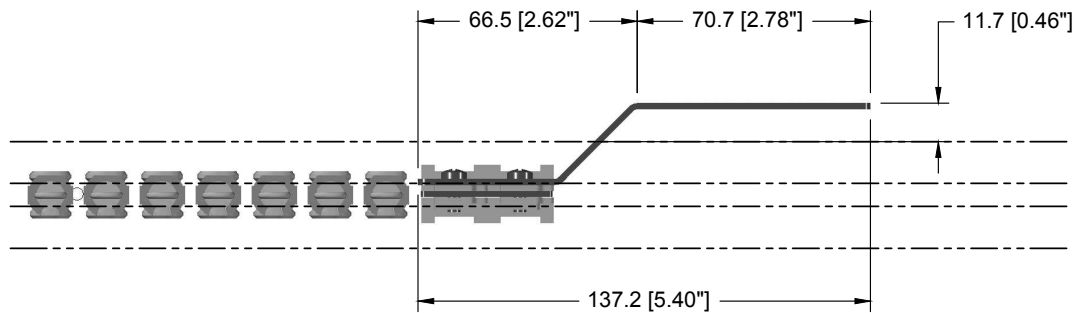
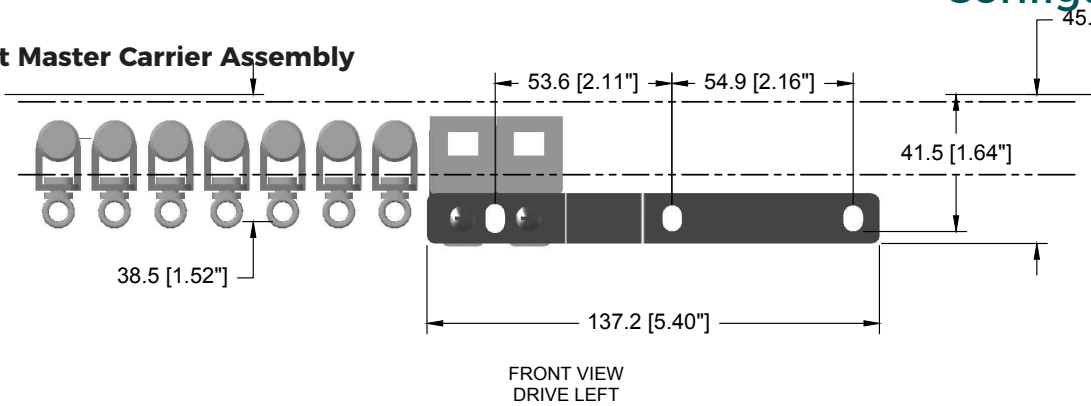
Tumo Drapery Systems

Dimensional Details

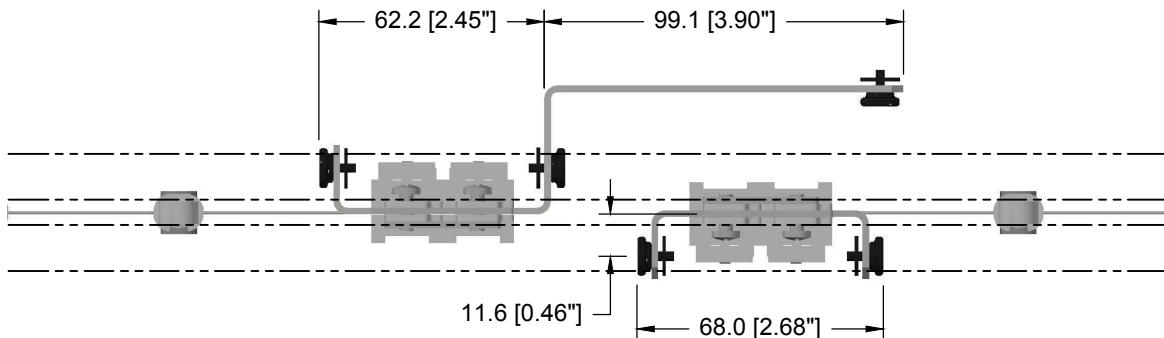
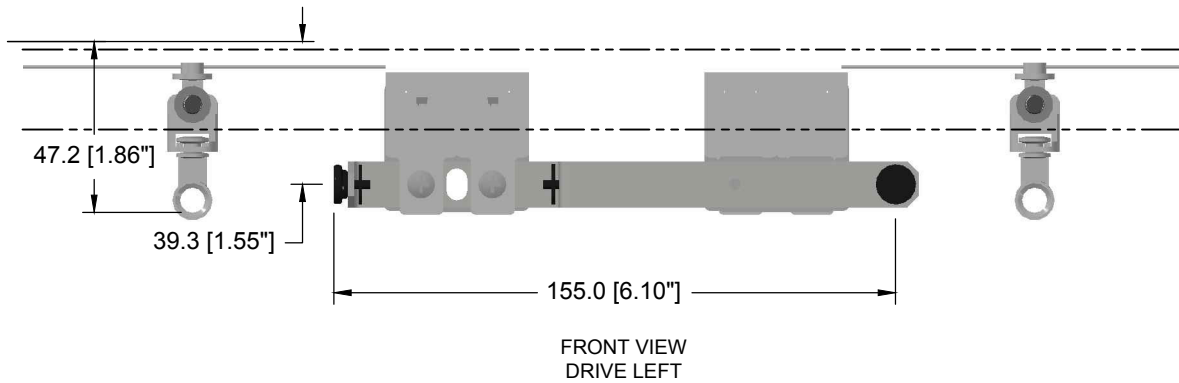


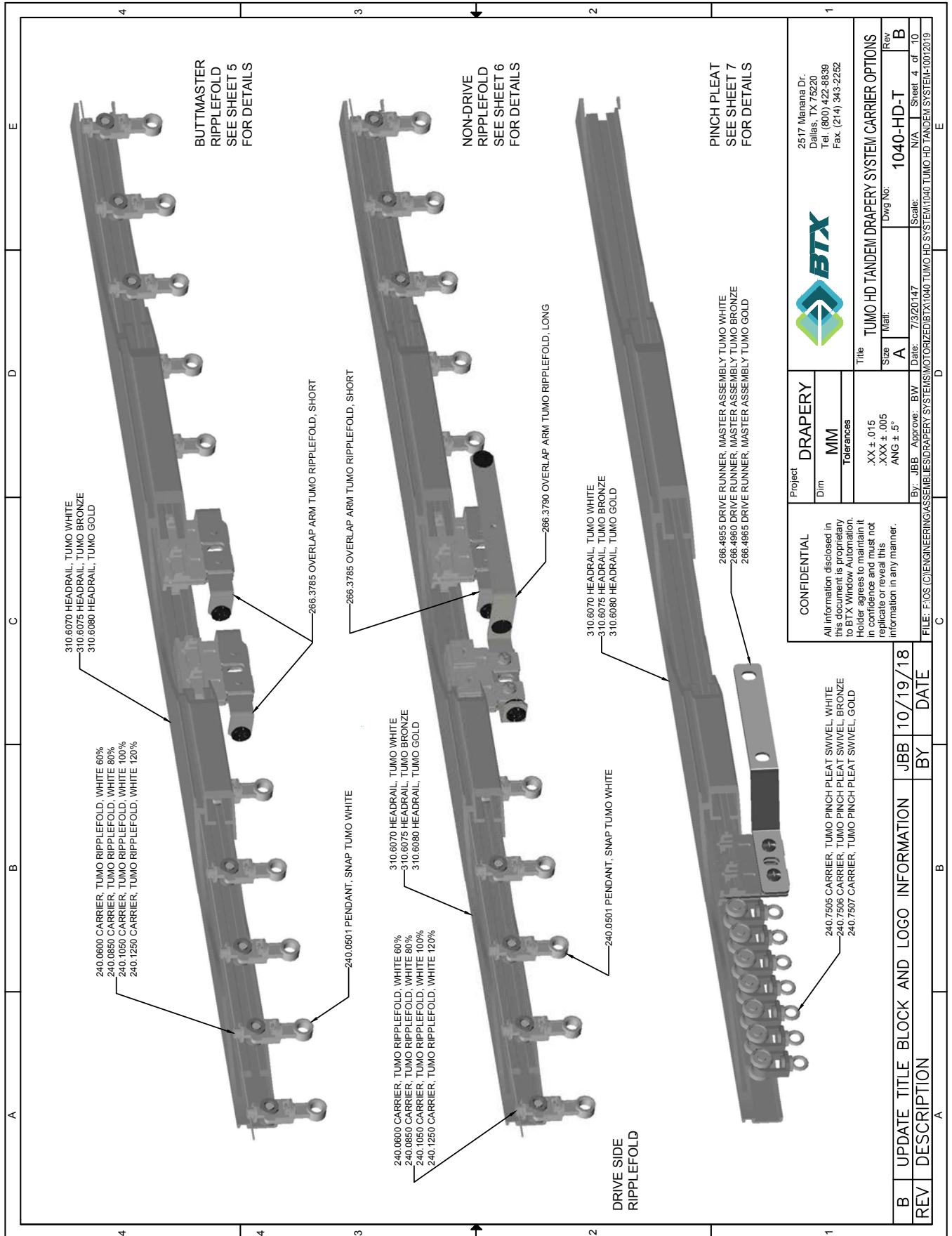
Configurations


Pinch Pleat Master Carrier Assembly



RippleFold Master Carrier Assembly





		2517 Manana Dr. Dallas, TX 75220 Tel. (800) 422-8839 Fax. (214) 343-2252	
DRAPERY		TUMO HD TANDEM DRAPERY SYSTEM CARRIER OPTIONS	
Dim: MM	Title: TUMO HD TANDEM DRAPERY SYSTEM CARRIER OPTIONS	Dwg No: 1040-HD-T	Rev: B
Tolerances: .XX ± .015 .XXX ± .005 ANG ± .5°	Size: A	Date: 7/3/2017	Scale: N/A
By: JBB	Approve: BW	Date: 7/3/2017	Sheet 4 of 10
CONFIDENTIAL All information disclosed in this document is proprietary to BTX Window Automation. Holder agrees to maintain it in confidence and must not replicate or reveal this information in any manner.			
FILE: F:\03\ENGINEERING\ASSEMBLIES\DRAPERY SYSTEMS\1040-HD-TANDEM\1040-TUMO-HD-SYSTEM\1040-TUMO-HD-TANDEM-SYSTEM-10020219		JBB 10/19/18	
UPDATE TITLE BLOCK AND LOGO INFORMATION		BY DATE	
REV DESCRIPTION		BY DATE	



Tumo Drapery Systems

Motor Choices

The Tumo motorized drapery line features a universal track configuration with a variety of benefits. Each motor configuration offers its own benefits that can accommodate your project requirements. Please review the chart below to help identify the best solution for your project. If you're having trouble picking the best system, don't hesitate to call one of our Team Members.

General Product Specifications

Visit www.btxinc.com for more technical documentation on this product.

	Tumo HD
Built-in Radio	•
Contact Closure	•
Touch Control	•
Power Type	24V DC Power Supply
Amperage	0.8 A
Noise Level	53 db
Pinch Pleat Carriers (Standard)	3 in. Spacing
RippleFold/AccordiaFold Carriers	•
Min. Curve Radius	16 in.
Max System Width	37 ft.
Max Pulling Capacity (single motor)	120 lbs.
Max Pulling Capacity (tandem motors)	240 lbs.
Average Motor Speed	12 in. per second

Weight Capacity Chart by Width

	18 ft. or less	20 ft.	22 ft.	24 ft.	26 ft.	28 ft.	30 ft.	32 ft.	34 ft.	36 ft.
Tumo HD (single motor)	120 lbs.	118 lbs.	116 lbs.	114 lbs.	112 lbs.	110 lbs.	108 lbs.	106 lbs.	104 lbs.	102 lbs.
Tumo HD (tandem motors)	240 lbs.	238 lbs.	236 lbs.	234 lbs.	232 lbs.	230 lbs.	228 lbs.	226 lbs.	224 lbs.	222 lbs.

Note: Curved tracks lose approximately 15% capacity per each cumulative 90° bend.



Tumo Drapery Systems

Retail Pricing

What comes with the standard grid price?

Your BTX Intelligent Fashion Tumo Drapery System comes with:

- Motorized drapery track system, built to your exact specifications (white hardware standard)
- A Tumo HD motor, with built-in radio, contract closure, and a pulling capacity of up to 120 lbs.
- A 110V/220V AC/DC power supply with 10-ft. lead, connecting your automated drapery system to a standard power outlet
- Your choice of wall or ceiling brackets, calculated at 1 bracket per each 18 in.

Important information regarding this system:

- Control devices are sold separately! Please specify whether you want a handsender, wall switch, or other control method
- Please be prepared to answer the following questions about your system:
 - Stack Side and Type (one-way, split draw, offset split, or multi-stack)
 - Motor Side (left or right)
 - Carrier type (pinch pleat, RippleFold, AccordiaFold)
 - Track color (white, dark bronze, caramel, or custom powder coat). Charges apply for non-white track colors
 - How would you like the systems programmed (we do program and test everything before shipping!)
- If you want a custom splice location, please specify
- If you need a curved track, we require a track layout diagram with running lengths and radius measurements (full templates are preferred for precision fabrication). Note that curving charges are applied to curved track.
- If you have a preference on packaging method (box or crate), please specify, otherwise we will select the safest and most economical method.

System Retail Pricing by Width

	1 ft. 12 in.	2 ft. 24 in.	3 ft. 36 in.	4 ft. 48 in.	5 ft. 60 in.	6 ft. 72 in.	7 ft. 84 in.	8 ft. 96 in.	9 ft. 108 in.	10 ft. 120 in.	11 ft. 132 in.	12 ft. 144 in.
Tumo HD	\$1,054	\$1,097	\$1,140	\$1,183	\$1,227	\$1,270	\$1,313	\$1,356	\$1,400	\$1,443	\$1,486	\$1,529
	13 ft. 156 in.	14 ft. 168 in.	15 ft. 180 in.	16 ft. 192 in.	17 ft. 204 in.	18 ft. 216 in.	19 ft. 228 in.	20 ft. 240 in.	21 ft. 252 in.	22 ft. 264 in.	23 ft. 276 in.	24 ft. 288 in.
	\$1,573	\$1,616	\$1,659	\$1,702	\$1,746	\$1,789	\$1,832	\$1,875	\$1,918	\$1,962	\$2,005	\$2,048
	25 ft. 300 in.	26 ft. 312 in.	27 ft. 324 in.	28 ft. 336 in.	29 ft. 348 in.	30 ft. 360 in.	31 ft. 372 in.	32 ft. 384 in.	33 ft. 396 in.	34 ft. 408 in.	35 ft. 420 in.	36 ft. 432 in.
	\$2,091	\$2,135	\$2,178	\$2,221	\$2,264	\$2,308	\$2,351	\$2,394	\$2,437	\$2,481	\$2,524	\$2,567

Note: All tracks over 16 ft. are automatically spliced. For systems beyond listed specifications, please call to discuss your project requirements.

Product Options and Surcharges

Motor Options

Tumo HD Tandem \$775

Control Options

Handsender (1 or 6-Channel White) \$125
 Wireless Wallswitch (2-Ch or 5-Ch) \$150
 Contact Closure Lead, 5 ft. \$20
 Extended Power Transformer Lead \$30/foot
 Power Transformer Extension (33 ft.) \$60
 SmartConnect RS-232 Interface \$350

System Options

Curving Charge (with template) \$300/bend
 Curving Charge (without template) \$450/bend
 Double Wall Brackets \$32/each
 RippleFold/AccordiaFold Carriers 9%
 Use REqual or Kirsch snap tape
 Dark Bronze System \$10/foot
 Custom Powder Coat Call for Quote



The Classic line of automated drapery systems is a long-standing offering in the BTX program. The Classic system provides raw power and stability in the most demanding applications around the world. Classic systems are designed for architectural stability when heavier draperies or tighter curves are required. The Classic motor can be combined with a number of peripheral controls to add radio, network, or other custom control methods. For projects with requirements outside of the listed system specifications, give us a call so a BTX Team Member can review with you our specialty system options..

Features

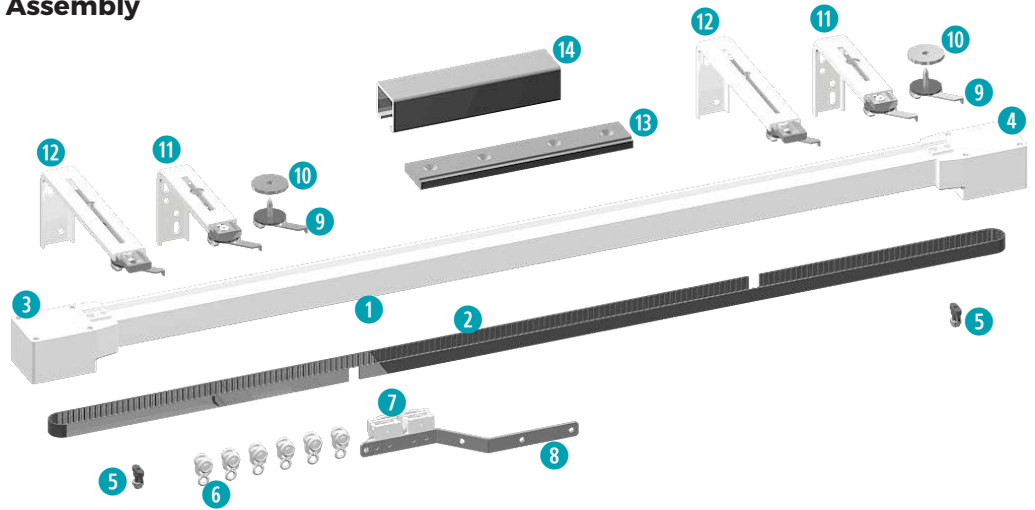
- Pinch pleat and RippleFold/AccordiaFold carrier styles
- Standard or buttmaster style overlap arms
- Track can be custom curved
- Track can be powder coated
- Motor can hang below the track or be inverted to sit above the track
- Track configurations include one-way, split draw, offset split, or multi-stack
- Mechanical limits for manual adjustments and consistent stop location
- Motor can be provided with an AC plug or bare wires for hardwire applications

Specifications

- Power Specifications
 - 110V 60Hz
 - 45-Watt motor: 0.495mA
 - Power lead from motor is 7 ft. standard
 - Motor is UL certified
- Motor speed is 6 in. per second
- Pinch Pleat carrier spacing is 3 in. standard. RippleFold and AccordiaFold carriers are available
- RippleFold carriers are available in 80%, 100%, and 120% fullness. Graber snap tape.
- Track is spliced after 16 ft. unless otherwise requested (all curved tracks are evaluated for splicing)
- Minimum curve radius is 14 in.
- Bracket spacing is 20 in. standard with 10 in. spacing at the stack ends

Classic Drapery Headrail Assembly

- 1 310.5560 - Headrail, White
- 2 290.2000 - Timing Belt
- 3 256.1030 - 5060 End Gear Drive
- 4 256.1560 - 5060 End Gear Non-Drive
- 5 240.8050 - 5060 Carrier Stopper
- 6 240.7140 - Turnable Grommet Runner
- 7 246.9010 - Timing Belt Drive Assembly
- 8 246.9015 - Universal Overlap Arm
- 9 236.1300 - Ceiling Clip Bracket
- 10 278.6010 - Neoprene Washer
- 11 236.1861 - Wall Bracket w/Lock
- 12 236.1862 - Dbl Wall Bracket w/Lock
- 13 248.3501 - Rail Splice Coupling
- 14 280.7000 - HD Splice



Classic Drapery Motor Options



101.4045 - 5060 45W Drive Motor

Note: Some components available in alternate colors. White Aluminum Bronze Black

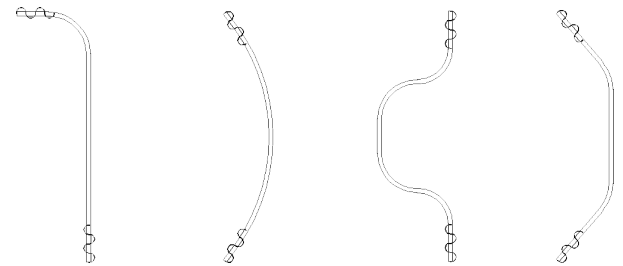
Single Motor System



Tandem, Motor System

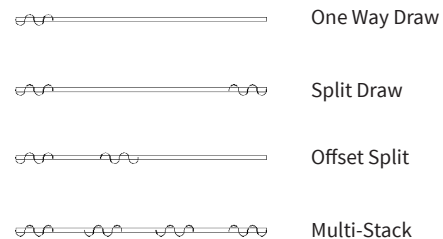


Available Curves



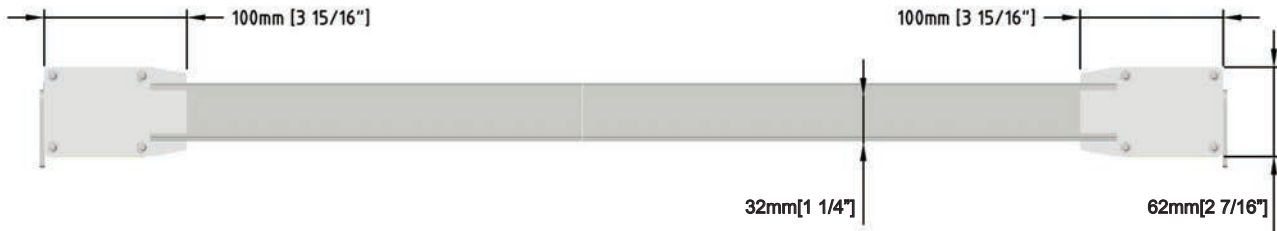
Single Bend Single Continuous Reverse Bends Multiple Bends

Stack Options

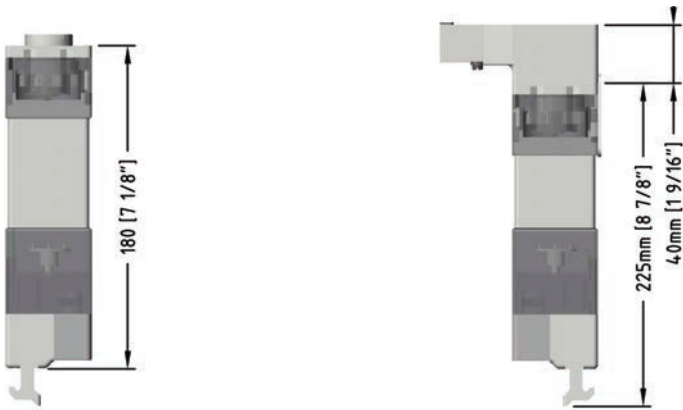


Classic Drapery

Dimensional Details

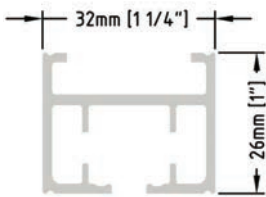


45 Watt

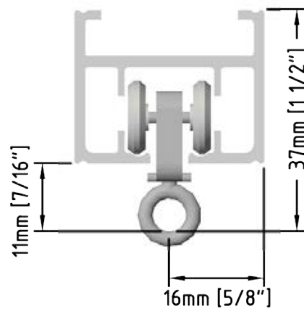


Note: Motors come with a 7' pigtail.

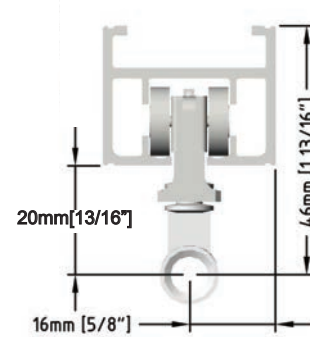
Classic Profile



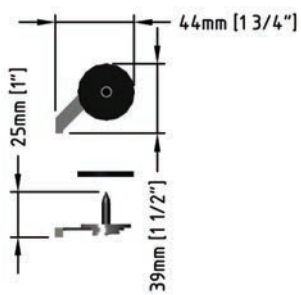
Pinch Pleat



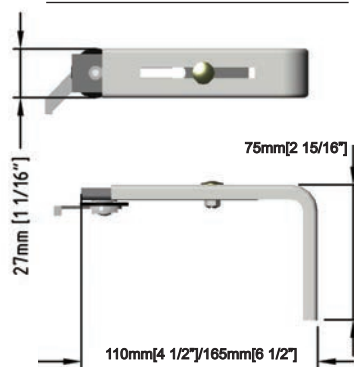
RippleFold/AccordiaFold



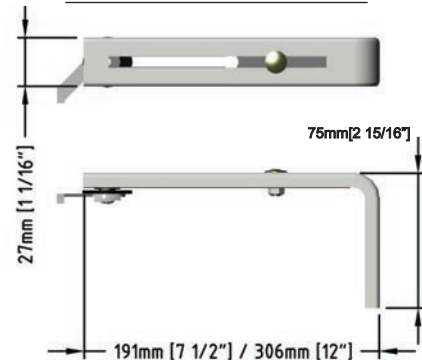
Ceiling Bracket



Wall Bracket



Double Wall Bracket





Classic Drapery

Motor Choices

The Classic motorized drapery line features an architecturally designed track configuration that can withstand large or heavy drapery applications. These AC systems are designed to perform under the most demanding projects. Each motor configuration offers its own benefits that can accommodate your project requirements. Please review the chart below to help identify the best solution for your project. If you're having trouble picking the best system, don't hesitate to call one of our Team Members.

General Product Specifications

Visit www.btxinc.com for more technical documentation on this product.

	45-Watt
Built-in Radio	N/A (External Radio Receiver Required)
Contact Closure	N/A
Touch Control	N/A
Power Type	110V AC
Amperage	0.5 A
Noise Level	54 dB
Pinch Pleat Carriers (Standard)	3 in. Spacing
RippleFold/AccordiaFold Carriers	•
Min. Curve Radius	14 in.
Max System Width	36 ft. (50 ft. Tandem)
Max Pulling Capacity (single motor)	160 lbs.
Max Pulling Capacity (tandem motors)	280 lbs.
Average Motor Speed	6 in. per second

Weight Capacity Chart by Width

	12 ft. or less	20 ft.	22 ft.	24 ft.	26 ft.	28 ft.	30 ft.	32 ft.	34 ft.	36 ft.
45-Watt	160 lbs.	130 lbs.	115 lbs.	110 lbs.	95 lbs.	75 lbs.	55 lbs.	48 lbs.	42 lbs.	40 lbs.
45-Watt (tandem motors)	-	-	-	-	-	-	280 lbs.	272 lbs.	264 lbs.	256 lbs.

Note: Curved tracks lose approximately 15% capacity per each cumulative 90° bend.

What comes with the standard grid price?

Your BTX Intelligent Fashion Classic Drapery System comes with:

- Motorized drapery track system, built to your exact specifications (white or aluminum hardware standard)
- A Classic 45-Watt motor, with mechanical limits and a pulling capacity of up to 160 lbs. (Motor comes with 7 ft. lead)
- Your choice of wall or ceiling brackets, calculated at 1 bracket per each 18 in.

Important information regarding this system:

- Control devices are sold separately! Please specify whether you want a handsender, wall switch, or other control method. Classic systems do not have internal RF receivers, so for RF transmitters, you must include an MMC device.
- Additional peripherals may be required based on your control scenario
- Tandem systems require a tandem wiring harness
- Please be prepared to answer the following questions about your system:
 - Stack Side and Type (one-way, split draw, offset split, or multi-stack)
 - Motor Side (left or right)
 - Carrier type (pinch pleat, RippleFold, AccordiaFold)
 - Track color (white, dark bronze, anodized, or custom powder coat). Charges apply for dark bronze and custom powder coating
 - How would you like the systems programmed (we do program and test everything before shipping!)
- If you want a custom splice location, please specify
- If you need a curved track, we require a track layout diagram with running lengths and radius measurements (full templates are required to guarantee precision fabrication). Note that curving charges are applied to curved track.
- If you have a preference on packaging method (box or crate), please specify, otherwise we will select the safest and most economical method

System Retail Pricing by Width

	1 ft. 12 in.	2 ft. 24 in.	3 ft. 36 in.	4 ft. 48 in.	5 ft. 60 in.	6 ft. 72 in.	7 ft. 84 in.	8 ft. 96 in.	9 ft. 108 in.	10 ft. 120 in.	11 ft. 132 in.	12 ft. 144 in.
45-Watt	\$1,483	\$1,535	\$1,587	\$1,638	\$1,690	\$1,742	\$1,795	\$1,847	\$1,898	\$1,950	\$2,002	\$2,054

	13 ft. 156 in.	14 ft. 168 in.	15 ft. 180 in.	16 ft. 192 in.	17 ft. 204 in.	18 ft. 216 in.	19 ft. 228 in.	20 ft. 240 in.	21 ft. 252 in.	22 ft. 264 in.	23 ft. 276 in.	24 ft. 288 in.
	\$2,106	\$2,159	\$2,211	\$2,262	\$2,314	\$2,366	\$2,417	\$2,469	\$2,522	\$2,574	\$2,626	\$2,678

	25 ft. 300 in.	26 ft. 312 in.	27 ft. 324 in.	28 ft. 336 in.	29 ft. 348 in.	30 ft. 360 in.	31 ft. 372 in.	32 ft. 384 in.	33 ft. 396 in.	34 ft. 408 in.	35 ft. 420 in.	36 ft. 432 in.
	\$2,730	\$2,782	\$2,834	\$2,887	\$2,937	\$3,002	\$3,066	\$3,130	\$3,195	\$3,259	\$3,324	\$3,388

Note: All tracks over 16 ft. are automatically spliced. For systems beyond listed specifications, please call to discuss your project requirements.

Product Options and Surcharges

Motor Options

45-Watt Tandem \$800

Control Options

Handsender (1 or 6-Channel White) \$125
 Wireless Wallswitch (2-Ch or 5-Ch) \$150
 Contact Closure Lead, 5 ft. \$20
 Extended Power Lead \$30/foot
 BTX MMC Radio Receiver \$450
 SmartConnect RS-232 Interface \$350
 Somfy RTS Radio Receiver \$580

System Options

Curving Charge (with template).....\$300/bend
 Curving Charge (without template)\$450/bend
 Double Wall Brackets\$32/each
 RippleFold/AccordiaFold Carriers9%
Use Graber snap tape
 Black or Dark Bronze System\$10/foot
 Custom Powder Coat..... Call for Quote



Aura Drapery

Retail Pricing

What comes with the standard grid price?

Your BTX Intelligent Fashion Aura Drapery System comes with:

- Motorized drapery track system, built to your exact specifications (white hardware standard)
- An Aura 1Nm Quiet motor 24V DC external power supply - 120 lbs. max capacity
- Your choice of wall or ceiling brackets, calculated at 1 bracket per each 18 in.

Important information regarding this system:

- Control devices are sold separately! Please specify whether you want a handsender, wall switch, or other control method
- Please be prepared to answer the following questions about your system:
 - Stack Side and Type (one-way, split draw, offset split, or multi-stack)
 - Motor Side (left or right)
 - Carrier type (pinch pleat, RippleFold, AccordiaFold)
 - Track color (white, silver, dark bronze, or custom powder coat). Charges apply for non-white track colors
 - How would you like the systems programmed (we do program and test everything before shipping!)
- If you want a custom splice location, please specify
- If you need a curved track, we require a track layout diagram with running lengths and radius measurements (full templates are preferred for precision fabrication). Note that curving charges are applied to curved track.
- If you have a preference on packaging method (box or crate), please specify, otherwise we will select the safest and most economical method.

System Retail Pricing by Width

	1 ft. 12 in.	2 ft. 24 in.	3 ft. 36 in.	4 ft. 48 in.	5 ft. 60 in.	6 ft. 72 in.	7 ft. 84 in.	8 ft. 96 in.	9 ft. 108 in.	10 ft. 120 in.	11 ft. 132 in.	12 ft. 144 in.
Aura	\$1,053	\$1,105	\$1,157	\$1,208	\$1,260	\$1,312	\$1,365	\$1,416	\$1,468	\$1,520	\$1,571	\$1,622
	13 ft. 156 in.	14 ft. 168 in.	15 ft. 180 in.	16 ft. 192 in.	17 ft. 204 in.	18 ft. 216 in.	19 ft. 228 in.	20 ft. 240 in.	21 ft. 252 in.	22 ft. 264 in.	23 ft. 276 in.	24 ft. 288 in.
	\$1,674	\$1,726	\$1,779	\$1,830	\$1,882	\$1,934	\$1,986	\$2,036	\$2,088	\$2,141	\$2,193	\$2,244
	25 ft. 300 in.	26 ft. 312 in.	27 ft. 324 in.	28 ft. 336 in.	29 ft. 348 in.	30 ft. 360 in.	31 ft. 372 in.	32 ft. 384 in.	33 ft. 396 in.	34 ft. 408 in.	35 ft. 420 in.	36 ft. 432 in.
	\$2,296	\$2,348	\$2,400	\$2,451	\$2,503	\$2,556	\$2,607	\$2,658	\$2,710	\$2,762	\$2,813	\$2,865

Note: All tracks over 16 ft. are automatically spliced. For systems beyond listed specifications, please call to discuss your project requirements.

Product Options and Surcharges

Motor Options

Aura Tandem \$750

System Options

Curving Charge (with template) \$300/bend
 Curving Charge (without template) \$450/bend
 Double Wall Brackets \$32/each
 RippleFold/AccordiaFold Carriers 9%
 Use Graber snap tape
 Custom Powder Coat Call for Quote

Control Options

Handsender (1 or 6-Channel White) \$125
 Wireless Wallswitch (2-Ch or 5-Ch) \$150
 Contact Closure Lead, 5 ft. \$20
 Extended Power Lead \$30/foot
 Power Transformer Extension (33 ft.) \$60
 SmartConnect RS-232 Interface \$350

Weight Capacity Chart by Width

	18 ft. or less	20 ft.	22 ft.	24 ft.	26 ft.	28 ft.	30 ft.	32 ft.	34 ft.	36 ft.
Aura (single motor)	120 lbs.	118 lbs.	116 lbs.	114 lbs.	112 lbs.	110 lbs.	108 lbs.	106 lbs.	104 lbs.	102 lbs.
Aura (tandem motors)	240 lbs.	238 lbs.	236 lbs.	234 lbs.	232 lbs.	230 lbs.	228 lbs.	226 lbs.	224 lbs.	222 lbs.

Note: Curved tracks lose approximately 15% capacity per each cumulative 90° bend.

What comes with the standard grid price?

Your Somfy Glydea Drapery System comes with:

- Motorized drapery track system, built to your exact specifications (white hardware standard)
- A Glydea 35 RTS motor with power lead.
- Your choice of wall or ceiling brackets, calculated at 1 bracket per each 18 in.

Important information regarding this system:

- Control devices are sold separately! Please specify whether you want a handsender, wall switch, or other control method
- Please be prepared to answer the following questions about your system:
 - Stack Side and Type (one-way, split draw, offset split, or multi-stack)
 - Motor Side (left or right)
 - Carrier type (pinch pleat, RippleFold, AccordiaFold)
 - Track color (white, dark bronze, or custom powder coat). Charges apply for non-white track colors
 - How would you like the systems programmed (we do program and test everything before shipping!)
 - If you want a custom splice location, please specify
 - If you need a curved track, we require a track layout diagram with running lengths and radius measurements (full templates are preferred for precision fabrication). Note that curving charges are applied to curved track.
 - If you have a preference on packaging method (box or crate), please specify, otherwise we will select the safest and most economical method.

System Retail Pricing by Width

	1 ft. 12 in.	2 ft. 24 in.	3 ft. 36 in.	4 ft. 48 in.	5 ft. 60 in.	6 ft. 72 in.	7 ft. 84 in.	8 ft. 96 in.	9 ft. 108 in.	10 ft. 120 in.	11 ft. 132 in.	12 ft. 144 in.
35E RTS	\$1,575	\$1,646	\$1,716	\$1,786	\$1,857	\$1,927	\$1,998	\$2,068	\$2,139	\$2,209	\$2,279	\$2,350

13 ft. 156 in.	14 ft. 168 in.	15 ft. 180 in.	16 ft. 192 in.	17 ft. 204 in.	18 ft. 216 in.	19 ft. 228 in.	20 ft. 240 in.	21 ft. 252 in.	22 ft. 264 in.	23 ft. 276 in.	24 ft. 288 in.
\$2,420	\$2,491	\$2,561	\$2,632	\$2,702	\$2,772	\$2,843	\$2,913	\$2,984	\$3,054	\$3,125	\$3,195

25 ft. 300 in.	26 ft. 312 in.	27 ft. 324 in.	28 ft. 336 in.	29 ft. 348 in.	30 ft. 360 in.	31 ft. 372 in.	32 ft. 384 in.	33 ft. 396 in.	34 ft. 408 in.	35 ft. 420 in.	36 ft. 432 in.
\$3,266	\$3,336	\$3,406	\$3,477	\$3,547	\$3,618	\$3,688	\$3,759	\$3,829	\$3,899	\$3,970	\$4,040

Note: All tracks over 16 ft. are automatically spliced. For systems beyond listed specifications, please call to discuss your project requirements.

Product Options and Surcharges

Motor Options

Glydea 35E DCT	\$0
Glydea 35E RS485	\$50
Glydea 60E DCT	\$0
Glydea 60E RTS	\$200
Glydea 60E RS485	\$250
Irismo 45 WireFree RTS	\$200
Irismo 35 Mini DC DCT	\$0
Irismo 35 Mini DC RTS	\$200

System Options

Curving Charge (with template)	\$300/bend
Curving Charge (without template)	\$450/bend
Double Wall Brackets	\$32/each
RippleFold/AccordiaFold Carriers	9%
Use REqual or Kirsch snap tape	
Custom Powder Coat	Call for Quote

Control Options

Somfy Situo RTS 1-Channel White	\$175
Somfy Situo RTS 5-Channel White	\$250
Somfy Telis RTS 1-Channel Silver or Lounge	\$275
Somfy Telis RTS 5-Channel Silver or Lounge	\$300
Somfy Telis 16-Channel Pure	\$600
Somfy Decoflex 1-Channel Pure	\$350
Somfy Decoflex 5-Channel Pure	\$375
Somfy Battery Tube, 12V, Reloadable	\$75
Somfy MyLink	\$700
Somfy URTSI	\$1,070
Somfy ST-30 Li-ion Recharger	\$40
Somfy Repeater	\$545



Rollease Acmeda Automate Drapery System

Retail Pricing

What comes with the standard grid price?

Your Rollease Acmeda Automate Drapery System comes with:

- Motorized drapery track system, built to your exact specifications (white hardware standard)
- A Rollease Automate AC motor with power lead.
- Your choice of wall or ceiling brackets, calculated at 1 bracket per each 18 in.

Important information regarding this system:

- Control devices are sold separately! Please specify whether you want a handsender, wall switch, or other control method
- Please be prepared to answer the following questions about your system:
 - Stack Side and Type (one-way, split draw, offset split, or multi-stack)
 - Motor Side (left or right)
 - Carrier type (pinch pleat, RippleFold, AccordiaFold)
 - Track color (white, dark bronze, or custom powder coat). Charges apply for non-white track colors
 - How would you like the systems programmed (we do program and test everything before shipping!)
- If you want a custom splice location, please specify
- If you need a curved track, we require a track layout diagram with running lengths and radius measurements (full templates are preferred for precision fabrication). Note that curving charges are applied to curved track.
- If you have a preference on packaging method (box or crate), please specify, otherwise we will select the safest and most economical method.

System Retail Pricing by Width

	1 ft. 12 in.	2 ft. 24 in.	3 ft. 36 in.	4 ft. 48 in.	5 ft. 60 in.	6 ft. 72 in.	7 ft. 84 in.	8 ft. 96 in.	9 ft. 108 in.	10 ft. 120 in.	11 ft. 132 in.	12 ft. 144 in.
Automate	\$1,217	\$1,294	\$1,371	\$1,448	\$1,525	\$1,602	\$1,679	\$1,756	\$1,833	\$1,910	\$1,987	\$2,064

13 ft. 156 in.	14 ft. 168 in.	15 ft. 180 in.	16 ft. 192 in.	17 ft. 204 in.	18 ft. 216 in.	19 ft. 228 in.	20 ft. 240 in.	21 ft. 252 in.	22 ft. 264 in.	23 ft. 276 in.	24 ft. 288 in.
\$2,141	\$2,220	\$2,299	\$2,378	\$2,456	\$2,535	\$2,614	\$2,693	\$2,772	\$2,850	\$2,929	\$3,008

25 ft. 300 in.	26 ft. 312 in.	27 ft. 324 in.	28 ft. 336 in.	29 ft. 348 in.	30 ft. 360 in.	31 ft. 372 in.	32 ft. 384 in.	33 ft. 396 in.	34 ft. 408 in.	35 ft. 420 in.	36 ft. 432 in.
\$3,087	\$3,166	\$3,245	\$3,323	\$3,402	\$3,481	\$3,560	\$3,639	\$3,718	\$3,796	\$3,875	\$3,954

Note: All tracks over 16 ft. are automatically spliced. For systems beyond listed specifications, please call to discuss your project requirements.

Product Options and Surcharges

System Options

Curving Charge (with template)	\$300/bend
Curving Charge (without template)	\$450/bend
Double Wall Brackets	\$32/each
RippleFold/AccordiaFold Carriers	9%
Use REqual or Kirsch snap tape	
Custom Powder Coat	Call for Quote

Control Options

Rollease 5-Channel Surface Mount Switch	\$150
Rollease 15-Channel Cut-in Switch	\$150
Rollease 1-Channel Cut-in Switch	\$150
Rollease Handsender Push 5-Channel Matte Black	\$200
Rollease Handsender Push 5-Channel Gloss White.....	\$200
Rollease Handsender 15-Channel White.....	\$170
Rollease Handsender 1-Channel White.....	\$150



BTX Roller Shades bring a new dimension of style and functionality to your interior with a full line of manual and motorized solutions. Whether large or small, every system shipped from BTX is built-to-spec specifically for your project. Whether you're looking for a large contract project, or a stylish residential application, BTX can provide a solution to suit your needs.

Designed for simplicity, BTX Roller Shade systems utilize a streamlined approach. Our latest program offering delivers a choice of optimal hardware variations, so you can find it easier to quote, order, install, and operate your favorite BTX systems. For more custom solutions, you can always contact a BTX Team Member for your project requirements.



BTX Roller Shade systems have a wide range of options. This guide uses a very simple pricing and presentation model to ensure your quoting process is smooth and easy. There are four main lines in the Roller Shade category: Small (S), Medium (M), Large (L), Extra Large (XL). Each line offers several options based on your requirements.

S Class (Small) Roller Shade System

- Manual or Motorized
- Max size: 6 ft. by 8 ft. *(depending on fabric weight)*
- 1.5 in. tube and bracket system
- 3 in. or 4 in. fascia options
- Cassette with fabric wrap options
- DC motor options w/ battery wand or plug-in transformer
- Small HD system option with 9' max and AC motor available

M Class (Medium) Roller Shade System

- Manual or Motorized
- Max size: 9 ft. by 12 ft. *(depending on fabric weight)*
- 2 in. tube and bracket system
- 4 in. fascia options
- Cassette with fabric wrap options
- AC, DC, and Battery motor options

L Class (Large) Roller Shade System

- Manual or Motorized
- Max size: 13 ft. by 17 ft. *(depending on fabric weight)*
- 2.5 in. tube and bracket system
- 4 in. fascia options
- AC, DC, and Battery motor options

XL Class (Extra Large) Roller Shade System

- Motorized only
- Max size: 15 ft. by 17 ft. *(depending on fabric weight)*
- 85mm steel tube and bracket system
- AC motors only

Pricing Instructions

Before pricing your Roller Shade system, you need to determine what type of system best suits your needs. Please consider the following:

- What type of fabric do you want?
 - If you require swatch samples, please contact the factory to check availability, or request a sample on our website through our Fabric Portfolio at btxinc.com/fabric-portfolio
 - Does your shade size exceed the fabric's roll width? Is the fabric railroadable?
- What type of control method are you looking for?
 - Manual: Chain pull
 - Motorized: Remote control, wall switch, third party integration, etc.
- What sizes do you need?
 - Recommended max dimensions by system type are as follows: Small: 6' x 8', Medium: 9' x 12', Large: 13' x 17', Extra Large: 15' x 17'
 - If you exceed these dimensions, you may need a coupled system, or you may need to contact the factory
- What options are you looking for?
 - Fascia, Side Channel, Sill Channel, Pocket, Closure, etc.
 - Motor surcharges will include all the necessary hardware costs to change your system from manual to motorized

How to Price Manual Roller Shade Systems

Roller Shade systems are provided as complete assemblies with fabric, and are built to specification. See the steps below to see how to price out your drapery systems:

- 1 Identify the type of hardware system you need (Small, Medium, Large, or Extra Large), based on the size of your window and what accessory features you want.
- 2 Identify the type of fabric you want for your shade. Technical information for fabrics can be found on pages 31-39. Once determined, use the Fabric Index (page 31-32) to locate which pages your fabric grid can be found.
- 3 Round your shade dimensions up to the nearest foot and locate the corresponding price in the grid.

HEIGHT		WIDTH					
		1ft.	2 ft.	3 ft.	4 ft.	5 ft.	
Feet	Inches	12 in.	24 in.	36 in.	48 in.	60 in.	
1 ft.	12 in.	\$78	\$94	\$111	\$127	\$144	
2 ft.	24 in.	\$81	\$101	\$121	\$141	\$161	
3 ft.	36 in.	\$84	\$107	\$131	\$154	\$177	
4 ft.	48 in.	\$88	\$114	\$141	\$167	\$194	
5 ft.	60 in.	\$91	\$121	\$151	\$181	\$210	
6 ft.	72 in.	\$94	\$127	\$171	\$207	\$244	
7 ft.	84 in.	\$98	\$134	\$171	\$207	\$244	

Example: 42 in. by 65 in. would price out at 48 in. by 72 in.

How to Price Manual Roller Shade Systems (continued)

- Using the same dimensions, add any surcharges you desire to your selected grid price.

Surcharges						
Feet	1 ft.	2 ft.	3 ft.	4 ft.	5 ft.	6 ft.
Inches	12 in.	24 in.	36 in.	48 in.	60 in.	72 in.
3 in. Fascia	\$65	\$75	\$85	\$95	\$105	\$115
Cassette	\$35	\$70	\$105	\$140	\$175	\$210
Sill Channel	\$15	\$30	<i>Example: Adding Cassette with Fabric Wrap to a 42 in. by 65 in. shade.</i>			\$90
Sill Angle	\$8	\$16	\$24	\$32	\$40	\$48
Shade Pocket	\$100	\$125	\$150	\$175	\$200	\$225
Pocket Hanger	\$10	\$20	\$30	\$40	\$50	\$60
Pocket Closure	\$15	\$30	\$45	\$60	\$75	\$90
External Hembar	\$0	\$0	\$0	\$0	\$0	\$0
Hanging Valance	\$30	\$60	\$90	\$120	\$150	\$180

Note: Cassette can come with or without fabric wrap.
 Note: Side channel is available at \$30 per foot. Includes both sides of window and pile insert.
 Note: Hanging valances are not available with returns.
 Note: HD tube upgrade is required for BTX 35QE RF and ST40. HD tube is available up to 10-feet for designated motors. Call factory for specifics.

How to Price Motorized Roller Shade Systems

Price the manual system and add the motor upcharge cost.

- Follow all instructions for pricing a manual Roller Shade, then proceed to step 2.
- Looking at the motor upcharge options, select the motor and control that best fits your scenario and add them to the grid price.

Motor Options	
<i>Example: Add \$485 to change to the BTX 35QE RF motor</i>	
BTX 35QE RF*	\$485
Somfy R28 with Battery Wand*	\$600
Somfy R28 RTS Li-ion WireFree (charger sold separately)*	\$600
Somfy ST30 RTS with Transformer*	\$935

For system requirements outside the listed specifications, give us a call to review options and availability.



Grid Index - Alphabetical

Price Grid	Small	Medium	Large	Extra Large
1	Pg 47	Pg 56	Pg 65	Pg 74
2	Pg 48	Pg 57	Pg 66	Pg 75
3	Pg 49	Pg 58	Pg 67	Pg 76
4	Pg 51	Pg 59	Pg 68	Pg 77
5	Pg 52	Pg 60	Pg 69	Pg 78
6	Pg 53	Pg 61	Pg 70	Pg 79
7	Pg 54	Pg 62	Pg 71	Pg 80

BTX Sorina

BTX 780 BO.....	Grid 1
Castle LF.....	Grid 3
Castle BO.....	Grid 4

Coulisse

Berlin BO.....	Grid 3
Berlin TR.....	Grid 2
Brasilia TR.....	Grid 4
Como BO.....	Grid 5
Darwin BO.....	Grid 5
Eco 30 TR.....	Grid 4
Eco 50 TR.....	Grid 4
Esvedra TR.....	Grid 2
FE-14009 TR.....	Grid 4
Fernando BO.....	Grid 3
Fishbone TR.....	Grid 5
Fortazela TR.....	Grid 4
JA-14010 TR.....	Grid 5
JA2100X.....	Grid 5
JA-Aretha.....	Grid 4
JA-Bing TR.....	Grid 4
JA-BOT-1506XX TR.....	Grid 6
JA-Frank.....	Grid 4
JA-HER-15XXXX DO.....	Grid 6
JA-HER-15XXXX TR.....	Grid 6
JA-Louis.....	Grid 4
JA-Natking TR.....	Grid 5
JA-Nina TR.....	Grid 4
JA-Ray TR.....	Grid 6
JA-UNT-15XXXX BO.....	Grid 6
JA-UNT-15XXXX DO.....	Grid 5
Linen 5100.....	Grid 4
Lyon TR.....	Grid 5
Miami BO.....	Grid 4
Muenchen BO.....	Grid 5
Muenchen TR.....	Grid 3
Natal BO.....	Grid 4
Natal TR.....	Grid 2
Paris.....	Grid 6
PR-12308 TR.....	Grid 3
PR 79886.....	Grid 5
PR-Billie TR.....	Grid 3
PRF 90087.....	Grid 6
Richmond TR.....	Grid 5
SA-1443X BO.....	Grid 7
SA-1443X TR.....	Grid 5
SA 69754.....	Grid 5
SA-69764 TR.....	Grid 5
SAF 90056.....	Grid 7
SAF 90069 BO.....	Grid 7
SAF 90069 DO.....	Grid 6
Salvador.....	Grid 5
Santiago BO.....	Grid 5
SCA5-Linen.....	Grid 6
SCA-JA-ULT-Stones.....	Grid 7
SCA-JA-ULT-Honey.....	Grid 7
SCA-JA-ULT-Circles.....	Grid 7
Scale TR.....	Grid 6
SCP 7.....	Grid 6
SCP-CO-ULT-CX.....	Grid 7
SCP-JA-ULT-00X.....	Grid 7
SCR-1003.....	Grid 3
SCR-3001.....	Grid 3

Coulisse (continued)

SCR-3003.....	Grid 3
SCR-3005.....	Grid 3
SCR-3010.....	Grid 3
SCR-5001.....	Grid 3
TC-79886 TR.....	Grid 4
TRS-123XX TR.....	Grid 5
Winchester.....	Grid 5

Coulisse Nature

Bali.....	Grid 6
Beijing.....	Grid 5
Bombay.....	Grid 6
Gunsang.....	Grid 5
Gunsang Spangle.....	Grid 5
Hong Kong.....	Grid 5
Java.....	Grid 6
Jinju.....	Grid 5
Kowloon.....	Grid 5
Lin.....	Grid 5
Osaka.....	Grid 6
Pap.....	Grid 5
Puket.....	Grid 5
Saigon.....	Grid 6
Sapporo.....	Grid 5
Shanghai.....	Grid 5
Suzuka.....	Grid 5
Tokio.....	Grid 6

JM

Carina.....	Grid 2
Lima.....	Grid 3

Mermet

A-Screen.....	Grid 2
Avila Twilight.....	Grid 3
Avila Twilight FR.....	Grid 4
Deco Screen.....	Grid 3
E-Screen.....	Grid 3
E-Screen, KOOLBLACK.....	Grid 6
Flocke.....	Grid 7
GreenScreen Reflect.....	Grid 6
M-Screen.....	Grid 3
Natte.....	Grid 5
R-Screen.....	Grid 2
Satine.....	Grid 5
S-Screen.....	Grid 4
T-Screen.....	Grid 3
T-Screen Deco.....	Grid 4
T-Screen Naturals.....	Grid 4
T-Screen KOOLBLACK.....	Grid 5
Verona Daylight.....	Grid 3
Verona Twilight.....	Grid 4
Vienne.....	Grid 2
Vizela.....	Grid 6

Phifer

1000.....	Grid 2
2000.....	Grid 4
2100.....	Grid 3
2360.....	Grid 3
2390.....	Grid 4
2410.....	Grid 4
2500.....	Grid 4
2701.....	Grid 5
2703.....	Grid 4
2705.....	Grid 4
2710.....	Grid 4
3000.....	Grid 4
4000.....	Grid 4
4100.....	Grid 4
4400.....	Grid 4
4500.....	Grid 4
4550.....	Grid 4
4600.....	Grid 5
4650.....	Grid 4
4800.....	Grid 5
4901.....	Grid 5
4903.....	Grid 4
5000.....	Grid 4
7000.....	Grid 6
7100.....	Grid 5
7200R.....	Grid 4
7250R.....	Grid 3
7400.....	Grid 5
7450.....	Grid 3
7500.....	Grid 3
7500R.....	Grid 3
7600.....	Grid 5
7650.....	Grid 4
7700R.....	Grid 4
7750R.....	Grid 3
8000.....	Grid 5
Basic.....	Grid 3
Performance+ 2390.....	Grid 7
Performance+ 2410.....	Grid 7
Performance+ 2500.....	Grid 7
Infinity 2.....	Grid 6

Rollease

EnviroScreen.....	Grid 6
Green Karuna TR.....	Grid 4

SB2

Essential BO.....	Grid 2
Ice.....	Grid 2
Ice Board.....	Grid 2
Meridian BO.....	Grid 2
Oslo.....	Grid 3
Palm Beach LF.....	Grid 3
Palm Beach BO.....	Grid 5
Woodlands.....	Grid 3

SB2 - Senscreen Quick Ship

Senscreen.....	Grid 1
----------------	--------

TOP

Orient TR.....	Grid 1
Orient LF.....	Grid 1

Turnils

Fine Lines.....	Grid 3
Fury.....	Grid 6
Kiana.....	Grid 3
Linen Light BO.....	Grid 6
Linen Light TR.....	Grid 3
Macau.....	Grid 4
Maze BO.....	Grid 5
Nordic Screen.....	Grid 4
Regal.....	Grid 2

Twitshell

Nano 95.....	Grid 2
Nano 97.....	Grid 2

Vertilux

3000 Screen.....	Grid 2
3000 BO.....	Grid 3
Singular BO.....	Grid 3
Sunset BO.....	Grid 2

Wilson

Aspen BO.....	Grid 7
Boston II BO.....	Grid 7
Boston II TR.....	Grid 5
Broome II BO.....	Grid 7
Broome II TR.....	Grid 5
Buxton BO.....	Grid 7
Concord II BO.....	Grid 7
Concord II TR.....	Grid 5
Fraser BO.....	Grid 7
Husk TR.....	Grid 5
Marley BO.....	Grid 7
Marley TR.....	Grid 5
Matrix BO.....	Grid 7
Matrix TR.....	Grid 5
Mercury II BO.....	Grid 7
Mercury II TR.....	Grid 5
Moma BO.....	Grid 7
Moma TR.....	Grid 5
Tuscany II BO.....	Grid 7
Tuscany II TR.....	Grid 5



Sorina® Roller Shades

Fabric Index

Grid Index - Numerical

Price Grid	Small	Medium	Large	Extra Large
1	Pg 47	Pg 56	Pg 65	Pg 74
2	Pg 48	Pg 57	Pg 66	Pg 75
3	Pg 49	Pg 58	Pg 67	Pg 76
4	Pg 51	Pg 59	Pg 68	Pg 77
5	Pg 52	Pg 60	Pg 69	Pg 78
6	Pg 53	Pg 61	Pg 70	Pg 79
7	Pg 54	Pg 62	Pg 71	Pg 80

<p>Grid 1</p> <ul style="list-style-type: none"> BTX Sorina - BTX 780 BO.....Grid 1 Senbesta - Senscreen.....Grid 1 TOP - Orient LF.....Grid 1 TOP - Orient TR.....Grid 1 <p>Grid 2</p> <ul style="list-style-type: none"> Coulisse - Berlin TR.....Grid 2 Coulisse - Esvedra TR.....Grid 2 Coulisse - Natal TR.....Grid 2 JM - Carina.....Grid 2 Mermet - A-Screen.....Grid 2 Mermet - R-Screen.....Grid 2 Mermet - Vienne.....Grid 2 Phifer - 1000.....Grid 2 Senbesta - Essential BO.....Grid 2 Senbesta - Ice.....Grid 2 Senbesta - Ice Board.....Grid 2 Senbesta - Meridian BO.....Grid 2 Turnils - Regal.....Grid 2 Twitchell Nano 95.....Grid 2 Twitchell Nano 97.....Grid 2 Vertilux - 3000 Screen.....Grid 2 Vertilux - Sunset BO.....Grid 2 <p>Grid 3</p> <ul style="list-style-type: none"> BTX Sorina - Castle LF.....Grid 3 Coulisse - Berlin BO.....Grid 3 Coulisse - Fernando BO.....Grid 3 Coulisse - Muenchen TR.....Grid 3 Coulisse - PR-12308 TR.....Grid 3 Coulisse - PR-Billie TR.....Grid 3 Coulisse - SCR-1003.....Grid 3 Coulisse - SCR-3001.....Grid 3 Coulisse - SCR-3003.....Grid 3 Coulisse - SCR-3005.....Grid 3 Coulisse - SCR-3010.....Grid 3 Coulisse - SCR-5001.....Grid 3 JM - Lima.....Grid 3 Mermet - Avila Twilight.....Grid 3 Mermet - Deco Screen.....Grid 3 Mermet - E-Screen.....Grid 3 Mermet - M-Screen.....Grid 3 Mermet - T-Screen.....Grid 3 Mermet - T-Screen Deco.....Grid 3 Mermet - T-Screen Naturals.....Grid 3 Mermet - Verona Daylight.....Grid 3 Phifer - 2100.....Grid 3 Phifer - 2360.....Grid 3 Phifer - 7250R.....Grid 3 Phifer - 7450.....Grid 3 Phifer - 7500.....Grid 3 Phifer - 7500R.....Grid 3 Phifer - 7750R.....Grid 3 Phifer - Basic.....Grid 3 Senbesta - Oslo.....Grid 3 Senbesta - Palm Beach LF.....Grid 3 Senbesta - Woodlands.....Grid 3 Turnils - Fine Line.....Grid 3 Turnils - Kiana.....Grid 3 Turnils - Linen Light TR.....Grid 3 Vertilux - 3000 BO.....Grid 3 Vertilux - Singular.....Grid 3 	<p>Grid 4</p> <ul style="list-style-type: none"> BTX Sorina - Castle BO.....Grid 4 Coulisse - Brasilia TR.....Grid 4 Coulisse - Eco 30 TR.....Grid 4 Coulisse - Eco 50 TR.....Grid 4 Coulisse - FE-14009 TR.....Grid 4 Coulisse - Fortazela TR.....Grid 4 Coulisse - JA-Aretha.....Grid 4 Coulisse - JA-Bing TR.....Grid 4 Coulisse - JA-Frank.....Grid 4 Coulisse - JA-Louis.....Grid 4 Coulisse - JA-Nina TR.....Grid 4 Coulisse - Linen 5100.....Grid 4 Coulisse - Miami BO.....Grid 4 Coulisse - Natal BO.....Grid 4 Coulisse - TC-79886 TR.....Grid 4 Mermet - Avila Twilight FR.....Grid 4 Mermet - S-Screen.....Grid 4 Mermet - Verona Twilight.....Grid 4 Phifer - 2000.....Grid 4 Phifer - 2390.....Grid 4 Phifer - 2410.....Grid 4 Phifer - 2500.....Grid 4 Phifer - 2703.....Grid 4 Phifer - 2705.....Grid 4 Phifer - 2710.....Grid 4 Phifer - 3000.....Grid 4 Phifer - 4000.....Grid 4 Phifer - 4100.....Grid 4 Phifer - 4400.....Grid 4 Phifer - 4500.....Grid 4 Phifer - 4550.....Grid 4 Phifer - 4650.....Grid 4 Phifer - 4903.....Grid 4 Phifer - 5000.....Grid 4 Phifer - 7200R.....Grid 4 Phifer - 7650.....Grid 4 Phifer - 7700R.....Grid 4 Rollease - Green Karuna TR.....Grid 4 Turnils - Macau.....Grid 4 Turnils - Nordic Screen.....Grid 4 	<p>Grid 5</p> <ul style="list-style-type: none"> Coulisse - Como BO.....Grid 5 Coulisse - Darwin BO.....Grid 5 Coulisse - Fishbone TR.....Grid 5 Coulisse - JA-14010 TR.....Grid 5 Coulisse - JA2100X.....Grid 5 Coulisse - JA-Natking TR.....Grid 5 Coulisse - JA-UNT-15XXXX DO.....Grid 5 Coulisse - Lyon TR.....Grid 5 Coulisse - Muenchen BO.....Grid 5 Coulisse - PR 79886.....Grid 5 Coulisse - Richmond TR.....Grid 5 Coulisse - SA-1443X TR.....Grid 5 Coulisse - SA 69754.....Grid 5 Coulisse - SA-69764 TR.....Grid 5 Coulisse - Salvador.....Grid 5 Coulisse - Santiago BO.....Grid 5 Coulisse - TRS-123XX TR.....Grid 5 Coulisse - Winchester.....Grid 5 Coulisse Nature - Beijing.....Grid 5 Coulisse Nature - Gungang.....Grid 5 Coulisse Nature - Gungang Spangle.....Grid 5 Coulisse Nature - Hong Kong.....Grid 5 Coulisse Nature - Jinju.....Grid 6 Coulisse Nature - Kowloon.....Grid 5 Coulisse Nature - Lin.....Grid 5 Coulisse Nature - Pap.....Grid 5 Coulisse Nature - Puket.....Grid 5 Coulisse Nature - Sapporo.....Grid 5 Coulisse Nature - Shanghai.....Grid 5 Coulisse Nature - Suzuka.....Grid 5 Mermet - Natte.....Grid 5 Mermet - Satine.....Grid 5 Mermet - T-Screen KOOLBLACK.....Grid 5 Phifer - 2701.....Grid 5 Phifer - 4600.....Grid 5 Phifer - 4800.....Grid 5 Phifer - 4901.....Grid 5 Phifer - 7100.....Grid 5 Phifer - 7400.....Grid 5 Phifer - 7600.....Grid 5 Phifer - 8000.....Grid 5 Senbesta - Palm Beach BO.....Grid 5 Turnils - Maze BO.....Grid 5 Wilson - Boston II TR.....Grid 5 Wilson - Broome II TR.....Grid 5 Wilson - Concord II TR.....Grid 5 Wilson - Husk TR.....Grid 5 Wilson - Marley TR.....Grid 5 Wilson - Matrix TR.....Grid 5 Wilson - Mercury II TR.....Grid 5 Wilson - Moma TR.....Grid 5 Wilson - Tuscany II TR.....Grid 5 	<p>Grid 6</p> <ul style="list-style-type: none"> Coulisse - JA-BOT-1506XX TR.....Grid 6 Coulisse - JA-HER-15XXXX DO.....Grid 6 Coulisse - JA-HER-15XXXX TR.....Grid 6 Coulisse - JA-Ray TR.....Grid 6 Coulisse - JA-UNT-15XXXX BO.....Grid 6 Coulisse - Paris.....Grid 6 Coulisse - PRF 90087.....Grid 6 Coulisse - SAF 90069 DO.....Grid 6 Coulisse - SCA5-Linen.....Grid 6 Mermet - Scale TR.....Grid 6 Coulisse - SCP 7.....Grid 6 Coulisse Nature - Ball.....Grid 6 Coulisse Nature - Bombay.....Grid 5 Coulisse Nature - Java.....Grid 6 Coulisse Nature - Osaka.....Grid 6 Coulisse Nature - Tokio.....Grid 6 Mermet - E-Screen, KOOLBLACK.....Grid 6 Mermet - GreenScreen Reflect.....Grid 6 Mermet - Vizela.....Grid 6 Phifer - 7000.....Grid 6 Phifer - Infinity 2.....Grid 6 Rollease - EnviroScreen.....Grid 6 Turnils - Fury.....Grid 6 Turnils - Linen Light BO.....Grid 6 <p>Grid 7</p> <ul style="list-style-type: none"> Coulisse Nature - Saigon.....Grid 7 Coulisse - SA-1443X BO.....Grid 7 Coulisse - SAF 90056.....Grid 7 Coulisse - SAF 90069 BO.....Grid 7 Coulisse - SCA-JA-ULT-Stones.....Grid 7 Coulisse - SCA-JA-ULT-Honey.....Grid 7 Coulisse - SCA-JA-ULT-Circles.....Grid 7 Coulisse - SCP-CO-ULT-CX.....Grid 7 Coulisse - SCP-JA-ULT-00X.....Grid 7 Mermet - Flocke.....Grid 7 Phifer - Performance+ 2390.....Grid 7 Phifer - Performance+ 2410.....Grid 7 Phifer - Performance+ 2500.....Grid 7 Wilson - Aspen BO.....Grid 7 Wilson - Boston II BO.....Grid 7 Wilson - Broome II BO.....Grid 7 Wilson - Buxton BO.....Grid 7 Wilson - Concord II BO.....Grid 7 Wilson - Fraser BO.....Grid 7 Wilson - Marley BO.....Grid 7 Wilson - Matrix BO.....Grid 7 Wilson - Mercury II BO.....Grid 7 Wilson - Moma BO.....Grid 7 Wilson - Tuscany II BO.....Grid 7
---	---	--	--



Sorina® Roller Shades

Fabric Information

BTX Sorina Fabric Specifications

Fabric Style	Fabric Width	Openness	Composition	Thickness (in.)	Weight (oz/ yd2)	Railroad Y/N	Railroad + Seam Y/N
BTX 780	72 in.	Blackout	25% Fiberglass 75% PVC	0.030	13.4	Y	Y
Castle LF	118 in.	Light Filtering	100% Polyester with Acrylic Backing	0.021	6.49	N	N
Castle BO	118 in.	Blackout	100% Polyester with Acrylic Backing	0.023	11.5	N	N

Coulisse Fabric Specifications

Fabric Style	Fabric Width	Openness	Composition	Thickness (in.)	Weight (oz/yd2)	Railroad Y/N	Railroad + Seam Y/N
Berlin BO	78, 98 in.	Blackout	100% Polyester	0.018	9.72	Y	Y
Berlin TR	78, 98 in.	TR	100% Polyester	0.012	6.21	Y	Y
Brasilia TR	118 in.	TR	100% Polyester Trevira CS	0.010	145g/sqm	n/a	n/a
Como BO	110 in.	Blackout	100% Polyester	0.015	10.77	N	N
Darwin BO	110 in.	Blackout	100% Polyester	0.021	350g/sqm	Y	N
Eco 30 TR	83 in.	5%	22" Polyester 78" PVC	0.035	198g/sqm	Y	Y
Eco 50 TR	83 in.	5%	22" Polyester 78" PVC	0.035	211g/sqm	Y	Y
Esvedra TR	79 in.	TR	100% Polyester Trevira CS	0.015	125g/sqm	Y	Y
FE-14009 TR	110 in.	TR	100% Polyester	0.016	190g/sqm	n/a	n/a
Fernando BO	110 in.	Blackout	100% Polyester	0.022	11.79	Y	Y
Fishbone TR	94 in.	TR	100% Polyester	0.007-0.015	115 - 165 g/m2	N	N
Fortaleza TR	118 in.	TR	100% Polyester Trevira CS	0.010	165g/sqm	n/a	n/a
JA-14010 TR	110 in.	TR	100% Polyester	0.020	220g/sqm	N	N
JA2100X	110 in.	TR	100% Polyester	0.019	120g/sqm	N	N
JA-Aretha	94 in.	TR	100% Polyester	0.010	105g/sqm	Y	Y
JA-Bing TR	94 in.	TR	100% Polyester	0.010	105g/sqm	N	N
JA-BOT-1506XX TR	98 in.	TR	100% Polyester	0.017	315g/sqm	N	N
JA-Frank TR	94 in.	TR	100% Polyester	0.010	105g/sqm	N	N
JA-HER-15XXXX DO	110 in.	Dim-Out	100% Polyester	0.016	260g/sqm	N	N
JA-HER-15XXXX TR	110 in.	TR	100% Polyester	0.098	150g/sqm	N	N
JA-Louis	94 in.	TR	100% Polyester	0.010	105g/aqm	Y	Y
JA-Natking TR	94 in.	TR	100% Polyester	0.010	105g/sqm	N	N
JA-Nina TR	94 in.	TR	100% Polyester	0.010	105g/sqm	n/a	n/a
JA-Ray TR	94 in.	TR	100% Polyester	0.010	105g/sqm	n/a	n/a
JA-UNT-15XXXX BO	110 in.	BO	100% Polyester	0.015	300g/sqm	n/a	n/a
JA-UNT-15XXXX DO	78 in.	TR	100% Polyester	0.010	150g/sqm	n/a	n/a
Linen 5100	79 in.	TR	90% Polyester / 10% LIN	0.012	340g/sqm	N	N
Lyon TR	94 in.	TR	83% Polyester / 17% Metal Yarn	0.35mm	140 g/m2	N	N
Miamo BO	110 in.	Blackout	100 Polyester	0.024	13.57	Y	Y
Muenchen BO	79, 110 in.	Blackout	100% Polyester	0.016	9.45	Y	Y
Muenchent TR	79, 110 in.	TR	100% Polyester	0.012	5.31	Y	Y
Natal BO	98 in.	Blackout	100% Polyester	0.026	12.42	Y	Y
Natal TR	98 in.	TR	100% Polyester	0.020	7.11	Y	Y



Sorina® Roller Shades

Fabric Information

Coulisse Fabric Specifications Continued

Fabric Style	Fabric Width	Openness	Composition	Thickness (in.)	Weight (oz/yd2)	Railroad Y/N	Railroad + Seam Y/N
Paris	94 in.	TR	100% Polyester	0.019	8.28	Y	Y
PR-12308 TR	76 in.	TR	100% Polyester	0.008	170g/sqm	n/a	n/a
PR 79886	94 in.	Blackout	100% Polyester	0.015	N/A	N	N
RP-Billie TR	78 in.	TR	100% Polyester	0.012	128g/sqm	n/a	n/a
PRF 90087	94 in.	Blackout	100% Polyester	0.015	N/A	N	N
Richmond TR	118 in.	TR	100% Polyester Trevira CS	0.021	180g/sqm	n/a	n/a
SA-1443X BO	78 in.	BO	100% Polyester Satin	0.017	280g/sqm	n/a	n/a
SA-1443X TR	78 in.	TR	100% Polyester Satin	0.010	160g/sqm	n/a	n/a
SA 69754	79 in.	Dim Out	100% Polyester	0.017	N/A	N	N
SA-69764 TR	78 in.	TR	100% Polyester	0.010	160g/sqm	n/a	n/a
SAF 90056	79 in.	Blackout	100% Polyester	0.017	N/A	N	N
SAF 90069 BO	79 in.	Blackout	100% Polyester	0.010	N/A	N	N
SAF 90069 DO	79 in.	Dim Out	100% Polyester	0.010	N/A	N	N
Salvador	94 in.	TR	100% Polyester Trevira CS	0.010	4.32	Y	N
Santiago BO	110 in.	Blackout	100% Polyester	0.024	14.16	Y	Y
SCA5-Linen	98 in.	TR	100% Polyester	0.022	420g/sqm	N	N
SCA-JA-ULT-Stones	98 in.	TR	100% Polyester	0.016	300g/sqm	N	N
SCA-JA-ULT-Honey	98 in.	TR	100% Polyester	0.016	300g/sqm	N	N
SCA-JA-ULT-Circles	98 in.	TR	100% Polyester	0.016	300g/sqm	N	N
Scale TR	94 in.	TR	100% Polyester	0.016	160g/sqm	N	N
SCP 7	98 in.	5%	22" Polyester 78" PVC	0.035	565g/sqm	Y	Y
SCP-CO-ULT-CX TR	98 in.	TR	70% PVC 30% Polyester	0.027	450g/sqm	n/a	n/a
SCP-JA-ULT-00X	98 in.	TR	70% PVC 30% Polyester	0.038	475g/sqm	n/a	n/a
SCR-1003	98 in.	3%	30% Polyester 70% PVC	0.024	12.39	Y	Y
SCR-3001	98 in.	1%	30% Polyester 70% PVC	0.027	14.16	Y	Y
SCR-3003	79, 98, 118 in.	3%	30% Polyester 70% PVC	0.023	13.86	Y	Y
SCR-3005	79, 98, 118 in.	5%	30% Polyester 70% PVC	0.022	12.09	Y	Y
SCR-3010	98 in.	10%	30% Polyester 70% PVC	0.020	10.03	Y	Y
SCR-5001	98 in.	1%	24% Polyester 76% PVC	0.036	18.43	Y	Y
TC-79886 TR	76 in.	TR	100% Polyester	0.013	185g/sqm	n/a	n/a
TRS-123XX TR	78 in.	TR	100% Polyester	0.015	170g/sqm	n/a	n/a
Winchester	118 in.	TR	100% Polyester Trevira CS	0.020	170g/sqm	Y	Y

Coulisse Nature Fabric Specifications

Fabric Style	Fabric Width	Openness	Composition	Thickness (in.)	Weight (oz/ yd2)	Railroad Y/N	Railroad + Seam Y/N
Bali	78 in.	5%	22" Polyester 78" PVC	0.035	6.2	N	N
Beijing	70, 94 in.	5%	22" Polyester 78" PVC	0.035	6.0	N	N
Bombay	94 in.	TR	67% PAP / 33% PES	121 mm	305g/sqm	N	N
Gunsang	78 in.	TR	100% Polyester Trevira CS	n/a	7.0	N	N
Gunsang Spangle	78 in.	TR	78% PAP / 22% PES	0.7mm	7.0	N	N
Hong Kong	71 in.	TR	71% PAP / 29% PES	0.7mm	9.2	N	N
Java	78 in.	TR	73% PAP / 12% JUT / 15% PEP	1.17mm	9.4	N	N
Jinju	78 in.	TR	19% PAP / 72% PES	1.1mm	9.8	N	N
Kowloon	70 in.	TR	67% JUT / 33% PES	0.7mm	5.9	N	N
Lin	70 in.	TR	74% JUT / 26% PES	0.65mm	9.0	N	N
Osaka	72 in.	TR	81% PAP / 19% PES	.75mm	6.9	N	N
Pap1	70, 94 in.	TR	50% PAP / 40% JUT / 10% PES	0.6mm	5.9	N	N
Pap2-7	70, 94 in.	TR	82% PAP / 18% PES	0.65mm	6.0	N	N
Puket	70 in.	TR	81.3% PAP / 18.7% PES	1.22mm	7.3	N	N
Saigon	94 in.	TR	81.3% PAP / 18.7% PES	1.22mm	8.4-9.5	N	N
Sapporo	78 in.	TR	90.5% PAP / 9.5% PES	0.75mm	6.9	N	N
Shanghai	70 in.	TR	67% JUT / 33% PES	0.7mm	7.6	N	N
Suzuka	78 in.	TR	64% PAP / 36% PES	0.8mm	8.2	N	N
Tokio	78 in.	TR	67% PAP / 33% PES	0.6mm	5.9	N	N

JM Fabric Specifications

Fabric Style	Fabric Width	Openness	Composition	Thickness (in.)	Weight (oz/ yd2)	Railroad Y/N	Railroad + Seam Y/N
Carina	78 in.	TR	100% Polyester	0.015	175 g/sqm	Y	N
Lima BO	94 in.	BO	100% Polyester	0.019	340 g/sqm	Y	N
Lima TR	94 in.	TR	100% Polyester	0.017	200 g/sqm	Y	N



Sorina® Roller Shades

Fabric Information

Mermet Fabric Specifications

Fabric Style	Fabric Width	Openness	Composition	Thickness (in.)	Weight (oz/ yd2)	Railroad Y/N	Railroad + Seam Y/N
A-Screen	98 in.	14%	36% Fiberglass / 64% Vinyl - Warp 42% / 58% Vinyl - Weft	0.021	10.4	Y	Y
Avila Twilight	118 in.	Blackout	37.5% Polyester 62.5% Acrylic Foam Backing PVC Free	0.020	14.5	Y	N
Avila Twilight FR	118 in.	Blackout	37.5% Polyester 62.5% Acrylic	0.020	13.33	Y	N
Deco Screen	98 in.	5%	36% Fiberglass 64% Vinyl	0.020	11.3	Y	N
E-Screen	98, 122 in.	1%	36% Fiberglass 64% Vinyl	0.020	13.3	Y	Y
E-Screen	98, 122 in.	3%	36% Fiberglass 64% Vinyl	0.017	11.6	Y	Y
E-Screen	98, 122 in.	5%	36% Fiberglass 64% Vinyl	0.016	10.7	Y	Y
E-Screen	98, 122 in.	10%	36% Fiberglass 64% Vinyl	0.020	10.3	Y	Y
E-Screen KOOLBLACK	98, 122 in.	1%	36% Fiberglass 64% Vinyl	0.021	12.95	Y	Y
E-Screen KOOLBLACK	98, 122 in.	3%	36% Fiberglass 64% Vinyl	0.020	11.3	Y	Y
E-Screen KOOLBLACK	98, 122 in.	5%	36% Fiberglass 64% Vinyl	0.019	10.3	Y	Y
Flocke	94.5 in.	Blackout	42% Fiberglass 51% Acrylic 7% Cotton Flocked Backing PVC Free	0.021	14.7	Y	Y
GreenScreen Reflect	94.5 in.	5%	100% Fiberglass Halogen-free aluminum coating	0.008	4.72	N	N
M-Screen	98, 122 in.	3%	36% Fiberglass 64% Vinyl	0.022	12.7	Y	Y
M-Screen	98, 122 in.	5%	36% Fiberglass 64% Vinyl	0.022	11.3	Y	Y
Natte	98 in.	12%	42% Fiberglass 58% Vinyl	0.021	13.9	Y	Y
R-Screen	98 in.	5%	36% Fiberglass 64% Vinyl	0.017	9.6	Y	Y
Satine	98 in.	5%	42% Fiberglass 58% Vinyl	0.030	15.5	Y	Y
S-Screen	98, 122 in.	4%	33.6% Fiberglass 59.6% Vinyl 6.8" Polyester	0.037	18.9	N	N
T-Screen	98, 122 in.	3%	36% Fiberglass 64% Vinyl	0.025	11.6	N	N
T-Screen Deco	122 in.	3%	36% Fiberglass 64% Vinyl	0.028	12.98	Y	Y
T-Screen Deco	122 in.	5%	36% Fiberglass 64% Vinyl	0.028	11.89	Y	Y
T-Screen Naturals	122 in.	3%	36% Fiberglass 64% Vinyl	0.027	12.59	Y	N
T-Screen Naturals	122 in.	5%	36% Fiberglass 64% Vinyl	0.028	12.24	Y	N
T-Screen KOOLBLACK	98, 122 in.	1%	36% Fiberglass 64% Vinyl	0.024	13.54	Y	Y
T-Screen KOOLBLACK	98, 122 in.	3%	36% Fiberglass 64% Vinyl	0.029	13.27	Y	Y
T-Screen KOOLBLACK	98, 122 in.	5%	36% Fiberglass 64% Vinyl	0.027	12.48	Y	Y
Verona Daylight	118 in.	<1% (LF)	100% Polyester	0.021	5.9	N	N
Verona Twilight	118 in.	Blackout	50% Polyester 50% Acrylic	0.024	11.65	N	N
Vienne	98 in.	10%	42% Fiberglass 58% Vinyl	0.021	11.6	Y	Y
Vizela	94.5 in.	1%	100% Fiberglass EVA Coating PVC Free	0.013	8.7	Y	Y



Phifer Fabric Specifications

Fabric Style	Fabric Width	Openness	Composition	Thickness (in.)	Weight (oz/ yd2)	Railroad Y/N	Railroad + Seam Y/N
1000	96 in.	25%	35% Fiberglass 65% Vinyl on Fiberglass	0.020	8.8	N	N
2000	98, 126 in.	5%	37% Fiberglass 63% Vinyl on Fiberglass	0.019	14.26	Y	Y
2100	98 in.	10%	37% Fiberglass 63% Vinyl on Fiberglass	0.020	12.4	Y	Y
2360	98 in.	10%	35% Fiberglass 65% Vinyl on Fiberglass	0.017	10.5	Y	Y
2390	98, 126 in.	5%	35% Fiberglass 65% Vinyl on Fiberglass	0.017	11.8	Y	Y
2410	98, 126 in.	3%	35% Fiberglass 65% Vinyl on Fiberglass	0.019	14.1	Y	Y
2500	98, 126 in.	1%	37% Fiberglass 63% Vinyl on Fiberglass	0.024	16.25	Y	Y
2701	98, 126 in.	1%	36% Fiberglass 64% Vinyl on Fiberglass	0.027	14.06	Y	Y
2703	98, 126 in.	3%	36% Fiberglass 64% Vinyl on Fiberglass	0.028	14.0	Y	Y
2705	98, 126 in.	5%	34% Fiberglass 66% Vinyl on Fiberglass	0.025	11.8	Y	Y
2710	98 in.	10%	34% Fiberglass 66% Vinyl on Fiberglass	0.025	10.4	Y	Y
3000	96 in.	14%	35% Fiberglass 65% Vinyl on Fiberglass	0.028	13.46	N	N
4000	98, 126 in.	5%	25% Polyester 75% Vinyl on Polyester	0.036	19.2	Y	Y
4100	98 in.	10%	25% Polyester 75% Vinyl on Polyester	0.035	17.5	Y	Y
4400	98, 126 in.	3%	25% Polyester 75% Vinyl on Polyester	0.037	20.7	Y	Y
4500	98 in.	5%	17% Polyester 83% Vinyl on Polyester	0.024	14.4	Y	Y
4550	98 in.	5%	17% Polyester 83% Vinyl on Polyester	0.025	12.5	Y	Y
4600	98 in.	3%	22% Polyester 78% Vinyl on Polyester	0.030	17.4	Y	Y
4650	98 in.	3%	17% Polyester 83% Vinyl on Polyester	0.026	13.3	Y	Y
4800	96, 126 in.	1%	24% Polyester 76% Vinyl on Polyester	0.036	18.5	Y	Y
4901	98 in.	1%	17% Polyester 83% Vinyl	0.028	16.2	Y	Y
4903	98 in.	3%	17% Polyester 83% Vinyl	0.027	14.9	Y	Y
5000	98 in.	10%	28% Polyester 72% Vinyl on Polyester	0.038	14.5	N	N
7000	94, 118 in.	Opaque	100% Polyester with Acrylic Foamed Backing (PVC-Free)	0.026	13.41	Y	Y
7100	63, 96 in.	Opaque	Vinyl-coated fiberglass fabric laminated with two-ply 100% PVC blackout film	0.023	19.8	Y	Y
7200R	118 in.	Opaque	100% Polyester with Acrylic Foamed Backing	0.024	11.06	Y	Y
7250R			100% Polyester with Acrylic Coating	0.018	6.19	Y	Y
7400	118 in.	Opaque	100% Polyester with Acrylic Foamed Backing	0.029	12.53	N	N
7450	118 in.	Light Filtering	100% Polyester with Acrylic Coating	0.0118	6.19	N	N
7500	98, 118 in.	Opaque	100% Polyester with Acrylic Coating	0.014	12.14	Y	Y
7500R	118 in.	Opaque	100% Polyester w/ Acrylic Coating	0.014	12.14	Y	Y

Phifer Fabric Specifications Continued

Fabric Style	Fabric Width	Openness	Composition	Thickness (in.)	Weight (oz/ yd2)	Railroad Y/N	Railroad + Seam Y/N
7600	118 in.	Opaque	45% Polyester 55% Acrylic Foamed Backing	0.020	11.8	N/A	N/A
7650	118 in.	LF	100% Polyester	0.014	6.2	N/A	N/A
7700R	118 in.	Opaque	110% Polyester w/ Acrylic foamed Backing	0.026	12.09	N/A	N/A
7750R	118 in.	LF	100% Polyester w/ Acrylic Backing	0.012	7.37	N/A	N/A
8000	118 in.	3%	100% Polyester	0.019	6.34	N/A	N/A
Basic	98 in.	3%	38% Fiberglass 62% Vinyl on Fiberglass	0.025	16.4	Y	Y
Basic	98 in.	5%	38% Fiberglass 62% Vinyl on Fiberglass	0.022	14.4	Y	Y
Performance+ 2390	96 in.	5%	34% Fiberglass 64% Vinyl on Fiberglass 2% Aluminum Coating	0.018	11.8	Y	Y
Performance+ 2410	96 in.	3%	34% Fiberglass 64% Vinyl on Fiberglass 2% Aluminum Coating	0.019	14.1	Y	Y
Performance+ 2500	96 in.	1%	34% Fiberglass 64% Vinyl on Fiberglass 2% Aluminum Coating	0.024	16.39	Y	Y
Infinity2	98 in.	1%	100% TPO 20% TPO fiber yarn/80% TPO coating on TPO yarn	0.033	14.63	Y	N

Rollease Acmeda

Fabric Style	Fabric Width	Openness	Composition	Thickness (in.)	Weight (oz/ yd2)	Railroad Y/N	Railroad + Seam Y/N
EnviroScreen	94.5 in.	2%	100% Polyester with Aluminum Backing	0.020	7.37	N	N
Green Karuna	78.7 in.	TR	100% Recycled Polyester	0.022	5.6	N	N

SB2 Fabric Specifications

Fabric Style	Fabric Width	Openness	Composition	Thickness (in.)	Weight (oz/ yd2)	Railroad Y/N	Railroad + Seam Y/N
Essential BO	118 in.	BO	100% Polyester with Acrylic Coating	0.013	11.8	Y	Y
Ice	94 in.	20%	100% Polyester	0.013	123 g/sqm	N	N
Ice Board	94 in.	20%	100% Polyester	0.015	143g/sqm	N	N
Meridian BO	118 in.	BO	100% Polyester	0.020	420 g/sqm	Y	n/a
Palm Beach LF	118 in.	Light Filtering	100% Polyester with Acrylic Coating	0.021	325 g/sqm	Y	Y
Palm Beach BO	94, 118 in.	Blackout	100% Polyester with Foamed Floaked Acrylic Backing	0.026	450 g/sqm	Y	Y
Senscreen	118 in.	1%	30% Polyester 70% PVC	0.026	480 g/sqm	Y	Y
Senscreen	118 in.	3%	30% Polyester 70% PVC	0.023	460 g/sqm	Y	Y
Senscreen	118 in.	5%	30% Polyester 70% PVC	0.020	430 g/sqm	Y	Y
Woodlands	118 in.	BO	100% Polyester with Acrylic Coating	0.024	480 g/sqm	N	N



Sorina® Roller Shades

Fabric Information

Top Specifications

Fabric Style	Fabric Width	Openness	Composition	Thickness (in.)	Weight (oz/ yd2)	Railroad Y/N	Railroad + Seam Y/N
Orient LF	98 in.	Light Filtering	100% Polyester	0.01	5.3	N	N
Orient TR	94 in.	TR	100% Polyester	0.02	4.9	N	N

Turnils Specifications

Fabric Style	Fabric Width	Openness	Composition	Thickness (in.)	Weight (oz/ yd2)	Railroad Y/N	Railroad + Seam Y/N
Fine Line	94 in.	Sheer	100% Polyester	0.013	3.6	N	N
Fury	118 in.	Sheer	100% Trevira CS	0.013	2.95	N	N
Kiana	94 in.	TR	100% Polyester	0.021	7.93	N	N
Linen Light BO	94 in.	BO	100% Polyester	0.019	9.1	n/a	n/a
Linen Light TR	94 in.	TR	100% Polyester	0.017	5.9	Y	n/a
Macau	94 in.	n/a	100% Polyester with Acrylic Coating	0.026	7.32	N	N
Maze TR	100 in.	TR	89% Polyester 11% cationic polyester	0.017	6.19	N	N
Nordic Screen + Twill	118 in.	1%	70% PVC 30% Polyester	0.026	15.6	N	N
Nordic Screen + Twill	118 in.	3%	76% PVC 24% Polyester	0.025	14.7	N	N
Regal	110 in.	3%	100% Polyester	0.026	13.4	N	N
Oslo	110 in.	BO	100% Polyester	0.026	8.9	N	N

Twitchell Specifications

Fabric Style	Fabric Width	Openness	Composition	Thickness (in.)	Weight (oz/ yd2)	Railroad Y/N	Railroad + Seam Y/N
Nano 95	120 in.	5%	N/A	0.026	14.7	Y	Y
Nano 97	120 in.	3%	N/A	0.027	16.2	Y	Y

Vertilux Specifications

Fabric Style	Fabric Width	Openness	Composition	Thickness (in.)	Weight (oz/ yd2)	Railroad Y/N	Railroad + Seam Y/N
3000 Screen	98, 118 in.	1%	30% PES / 70% PVC	0.024	480 g/sqm	Y	Y
3000 Screen	98, 118 in.	3%	30% PES / 70% PVC	0.023	440 g/sqm	Y	Y
3000 Screen	98, 118 in.	5%	30% PES / 70% PVC	0.022	420 g/sqm	Y	Y
3000 Screen	98, 118 in.	10%	30% PES / 70% PVC	0.019	410 g/sqm	Y	Y
3000 Blackout	98, 118 in.	BO	22% PES / 50% PVC / 28% Foam Backing	0.022	580 g/sqm	Y	Y
Singular BO	110 in.	BO	100% PES	0.024	379 g/sqm	Y	Y
Sunset BO	118 in.	BO	100% PES	0.019	400 g/sqm	Y	Y

Wilson Specifications

Fabric Style	Fabric Width	Openness	Composition	Thickness (in.)	Weight (oz/ yd ²)	Railroad Y/N	Railroad + Seam Y/N
Aspen BO	110 in.	BO	100% Polyester	n/a	350 g/sqm	n/a	n/a
Boston II BO	110, 118 in.	BO	100% Polyester	n/a	420 g/sqm	n/a	n/a
Boston II TR	110, 118 in.	TR	100% Polyester	n/a	165 g/sqm	n/a	n/a
Broome II BO	110, 118 in.	BO	100% Polyester	n/a	380 g/sqm	n/a	n/a
Broome II TR	110, 118 in.	TR	100% Polyester	n/a	165 g/sqm	n/a	n/a
Buxton BO	110 in.	BO	98% Polyester / 2% Nylon	n/a	370 g/sqm	n/a	n/a
Concord II BO	110, 118 in.	BO	80% Polyester / 20% Cotton	n/a	380 g/sqm	n/a	n/a
Concord II TR	110, 118 in.	TR	80% Polyester / 20% Cotton	n/a	160 g/sqm	n/a	n/a
Fraser BO	110 in.	BO	100% Polyester	n/a	350 g/sqm	n/a	n/a
Husk TR	110 in.	TR	100% Polyester	n/a	94 g/sqm	n/a	n/a
Marley BO	110, 118 in.	BO	100% Polyester	n/a	370 g/sqm	n/a	n/a
Marley TR	110, 118 in.	TR	100% Polyester	n/a	190 g/sqm	n/a	n/a
Matrix BO	110, 118 in.	BO	100% Polyester	n/a	365 g/sqm	n/a	n/a
Matrix TR	110, 118 in.	TR	100% Polyester	n/a	185 g/sqm	n/a	n/a
Mercury II BO	110, 118 in.	BO	100% Polyester	n/a	365 g/sqm	n/a	n/a
Mercury II TR	110, 118 in.	TR	100% Polyester	n/a	185 g/sqm	n/a	n/a
Moma BO	110, 118 in.	BO	100% Polyester	n/a	380 g/sqm	n/a	n/a
Moma TR	110, 118 in.	TR	100% Polyester	n/a	170 g/sqm	n/a	n/a
Tuscany II BO	110, 118 in.	BO	100% Polyester	n/a	400 g/sqm	n/a	n/a
Tuscany II TR	110, 118 in.	TR	100% Polyester	n/a	205 g/sqm	n/a	n/a



Sorina® Roller Shades

System Specifications

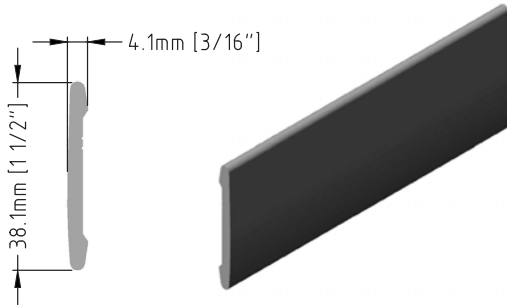
Manual Roller Shade System Specifications

System	Tube Size	Max. Width	Max Drop	Max Weight	Fascia Size
Small	1.5 in.	72 in.	96 in.	8 lbs.	3 in. or 4 in.
Medium	2 in.	108 in.	144 in.	16 lbs.	4 in.
Large	2.5 in.	156 in.	204 in.	18 lbs.	4 in.

Motorized Roller Shade System Specifications

System	Motor Desc	Part#	AC/DC	Wattage	Torque	Maximum Weight	Speed/ RPM	Amperage	db rating	Limit Type	Built-in RF	Built-in Dry Contact	Max number of Turns	Motor Diameter	Motor Length
	BTX 25E RF	101.8801	12V DC Battery	6.6 W	0.8 Nm	7 lbs.	30 rpm	550 mA	45 db	Electronic	Yes	N/A	Unlimited	25 mm	11.75 in.
	BTX 35QE RF	101.8802	110V AC	130 W	3 Nm	35 lbs.	33 rpm	1.1 A	33db	Electronic	Yes	Yes	Unlimited	35 mm	19.5 in.
	Somfy R28 RTS	101.9411	12V DC Battery	16 W	1.1 Nm	10 lbs.	28 rpm	2 A	48-56 db	Electronic	Yes	N/A	110	29 mm	13.22 in.
	Somfy R28 RTS Li-ion	101.9412	12V DC Battery	N/A	1.1 Nm	10 lbs.	20 rpm	N/A	N/A	Electronic	Yes	N/A	Unlimited	29 mm	22.8 in.
	Somfy ST30 Quiet RTS	101.9530	24V DC	20 W	2 Nm	20 lbs.	6 - 28 rpm	0.8 A	44 db	Electronic	Yes	N/A	35	29 mm	16 in.
	Somfy ST30 DCT	101.9530	24V DC	20 W	2 Nm	20 lbs.	6 - 28 rpm	0.8 A	44 db	Dry Contact	N/A	Yes	35	29 mm	16 in.
	Somfy ST30 RS485	101.9530	24V DC	20 W	2 Nm	20 lbs.	6 - 28 rpm	0.8 A	44 db	Digital	N/a	Yes	35	29 mm	16 in.
	ST30 Quiet RTS Li-ion	101.9533	12V DC Battery	N/A	2 Nm	20 lbs.	28 rpm	N/A	44 db	Electronic	Yes	N/A	Unlimited	29 mm	23.7 in.
	ST40 Quiet RTS	101.9565	110V AC	130 W	4 Nm	35 lbs.	36 rpm	0.95 A	42 db	Electronic	Yes	N/A	Unlimited	38 mm	18.19 in.
	ST40 Quiet RTS Li-ion	101.9563	12V DC Battery	N/A	3 Nm	25 lbs.	20 rpm	N/A	44 db	Electronic	Yes	N/A	Unlimited	38 mm	25.6 in.
	Rollease Q1.1	101.7001	12V DC	10 W	1.1 Nm	10 lbs.	20 rpm	0.8 A	46 db	Electronic	Yes	N/A	Unlimited	25 mm	17.5 in.
	Rollease Q2.0	101.7002	12V DC	15 W	2 Nm	15 lbs.	20 rpm	1.25 A	44 db	Electronic	Yes	N/A	Unlimited	28 mm	17.21 in.
	BTX 45QE RF	101.8803	110V AC	130W	6 Nm	50 lbs	33 rpm	1.1 A	33 db	Electronic	Yes	Yes	Unlimited	45 mm	27.75 in.
	BTX 45QE RF Li-ion	101.5503	12V DC Battery	20 W	3 Nm	25 lbs.	28 rpm	1.9 A	40 db	Electronic	Yes	N/A	Unlimited	45 mm	32 in.
	Tumo DC RF	101.9215	24V DC	25 W	2.5 Nm	20 lbs.	25 rpm	0.8 A	33 db	Electronic	Yes	Yes	N/A	45 mm	20.5 in.
	Tumo DC 2-Wire	101.9220	24V DC	30 W	2.5 Nm	20 lbs.	25 rpm	1 A	35 db	Mechanical	N/A	N/A	32	45 mm	20.75 in.
	Somfy ST50 Quiet RTS	101.9542	110V AC	140 W	6 Nm	50 lbs.	32 rpm	1.2 A	45 db	Electronic	Yes	N/A	250	45 mm	25.7 in.
	Somfy ST50 Quiet RTS ULTRA AC	101.9543	110V AC	114 W	6 Nm	50 lbs.	24 rpm	0.95 A	38 db	Electronic	Yes	N/A	250	45 mm	32.4 in.
	Somfy ST50 Quiet RTS ULTRA DC	101.9551	24V DC	N/A	6 Nm	50 lbs.	25 rpm	1.5 A	<38 db	Electronic	Yes	N/A	Unlimited	45 mm	30.7 in.
	Rollease Q3.0	101.7003	12V DC	20 W	3 Nm	25 lbs.	20 rpm	1.7 A	40 db	Electronic	Yes	No	Unlimited	45 mm	32 in.

Internal Bottom Bar 323.1036



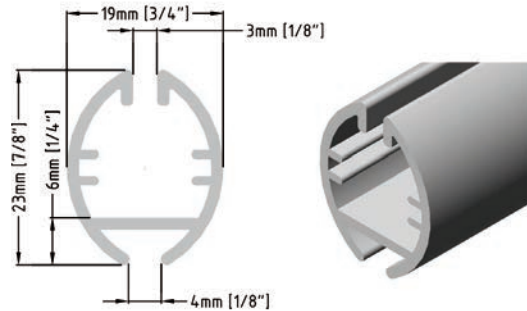
- Standard Roller Shade Bottom Bar
- Max length is 16 ft.
- Bar height is 1.5 in.
- Used inside sealed bottom pocket with sides sealed

Available Colors



Aluminum

Exterior Bottom Bar 315.20XX



- Max length is 12 ft.
- Uses Bottom Bar End Caps (250.20XX)
- Used as an alternative to standard interior bottom bar (323.1036)

Available Colors



White



Aluminum

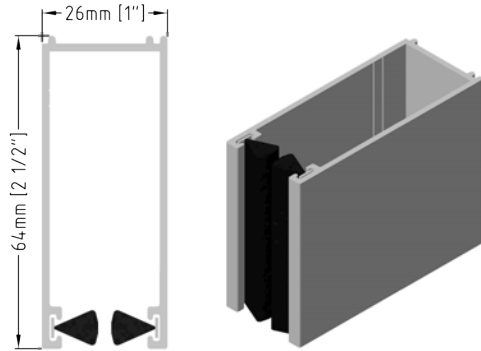


Dark Bronze



Vanilla

Side/Sill Channel 318.10XX

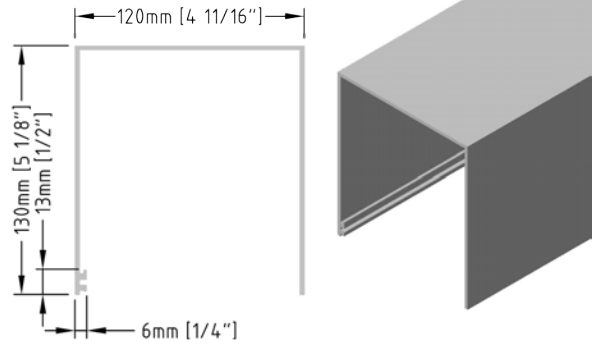


- Comes with grey felt insert
- Max length is 20 ft.
- Used on each side of the window and/or at the bottom sill for light blockage

Available Colors



Pocket 321.6100.X

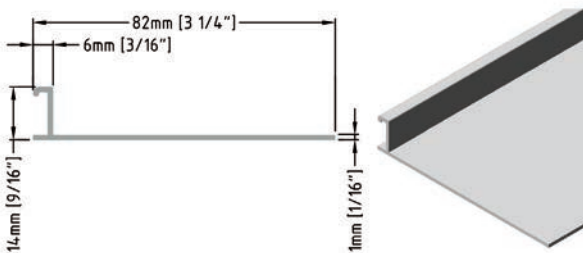


- Max length is 16 ft.
- Compatible with Closure (321.6200.X)

Available Colors



Closure 321.6200.X

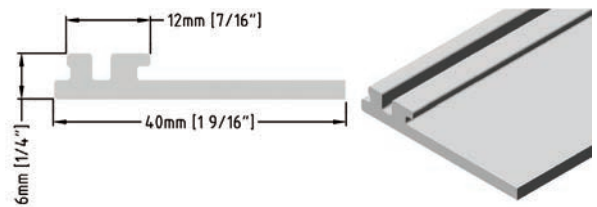


- Max length is 16 ft.
- Compatible with Pocket (321.6100.X)

Available Colors



Hanger 322.6100.X

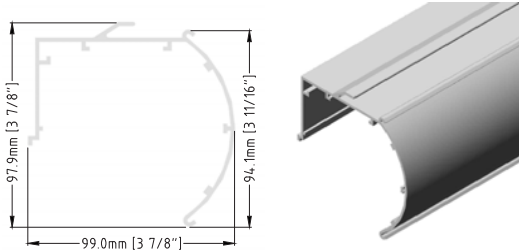


- Max length is 16 ft.
- Compatible with Closure (321.6200.X)

Available Colors



Cassette 120 309.2000.X

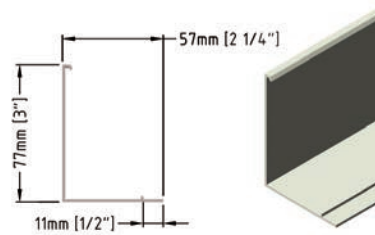


- Max length is 16 ft.
- Compatible with Sorina Small (manual and motorized) and Sorina Medium (manual) Roller Shades

Available Colors



3 in. Square Fascia 316.30XX

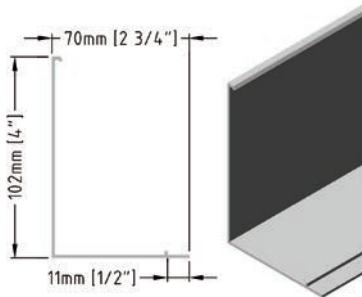


- Max length is 16 ft.
- Requires 3 in. fascia brackets (236.31XX)
- Compatible with Sorina Small Roller Shades

Available Colors



4 in. Square Fascia 316.40XX



- Max length is 16 ft.
- Requires 4 in. fascia brackets (236.40XX)
- Compatible with Sorina Small and Medium Roller Shades

Available Colors





The Sorina S systems are available in both manual and motorized options and are designed for smaller, lightweight applications. Utilizing low profile hardware and a wide range of fabrics and accessories, Sorina S systems bring a modern touch to any interior.



S Class (Small) Manual Roller Shade System

- Max size: 6 ft. by 8 ft. *(depending on fabric weight)*
- 1.5 in. tube and bracket system
- 3 in. or 4 in. fascia options
- Cassette with fabric wrap options



S Class (Small) Motorized Roller Shade System

- DC and Battery Motorized system with power supply
- Small HD option available with 110V AC motor and HD tube
- HD tube available up to 9 ft.
- Max size: 6 ft. by 8 ft. *(depending on fabric weight)*
- Max lifting capacity: 6 lbs.
- 1.5 in. tube and bracket system
- 3 in. or 4 in. fascia options
- Cassette with fabric wrap options

What comes with the standard grid price?

Your BTX Intelligent Fashion Sorina S Roller Shade System comes with:

- Fully fabricated manual Roller Shade system, built to your exact specifications
- Stainless Steel bead chain
- 1.5 in. hook mounting clutch and bracket system
- Fabric listed for the selected grid
- Sealed internal bottom bar (Depending on fabric. Some fabrics cannot use sealed bottom bar)

Important information regarding this system:

- Motorized systems are available as an upcharge.
(See product options and surcharges at the bottom of each pricing page)
- Control devices for motorized systems are sold separately! Please specify whether you want a handsender, wall switch, or other control method.
- Additional peripherals may be required based on your control scenario
- Please be prepared to answer the following questions about your system:
 - Clutch or Motor Side (left or right)
 - Roll direction (standard front roll or reverse roll)
 - Hardware color (white, vanilla, silver, or bronze)
 - How would you like the systems programmed, if motorized (we do program and test everything before shipping!)
 - Do you need any additional accessories like fascia, side channel, etc. for an upcharge.
- Railroading may be necessary based on size.
- Not all fabrics can be railroaded.
- If you require a larger size, you may need to move up to a Sorina M, Sorina L, or Sorina XL class shade.
- Contact the factory for coupled shades.
- If you have a preference on packaging method (box or crate), please specify, otherwise we will select the safest and most economical method.



Sorina S Manual Retail Pricing

HEIGHT		WIDTH							
		Feet		1 ft.	2 ft.	3 ft.	4 ft.	5 ft.	6 ft.
		Inches		12 in.	24 in.	36 in.	48 in.	60 in.	72 in.
1 ft.	12 in.	\$77	\$94	\$111	\$127	\$144	\$160		
2 ft.	24 in.	\$81	\$101	\$121	\$141	\$161	\$181		
3 ft.	36 in.	\$84	\$108	\$131	\$155	\$178	\$202		
4 ft.	48 in.	\$88	\$115	\$141	\$168	\$195	\$222		
5 ft.	60 in.	\$91	\$121	\$152	\$182	\$212	\$243		
6 ft.	72 in.	\$94	\$128	\$162	\$196	\$229	\$263		
7 ft.	84 in.	\$98	\$135	\$172	\$209	\$246	\$284		
8 ft.	96 in.	\$101	\$142	\$182	\$223	\$264	\$304		

Surcharges

Feet	1 ft.	2 ft.	3 ft.	4 ft.	5 ft.	6 ft.
Inches	12 in.	24 in.	36 in.	48 in.	60 in.	72 in.
3 in. Fascia	\$65	\$75	\$85	\$95	\$105	\$115
Cassette	\$35	\$70	\$105	\$140	\$175	\$210
Sill Channel	\$15	\$30	\$45	\$60	\$75	\$90
Sill Angle	\$8	\$16	\$24	\$32	\$40	\$48
Shade Pocket	\$100	\$125	\$150	\$175	\$200	\$225
Pocket Hanger	\$10	\$20	\$30	\$40	\$50	\$60
Pocket Closure	\$15	\$30	\$45	\$60	\$75	\$90
External Hembar	\$0	\$0	\$0	\$0	\$0	\$0
Hanging Valance	\$30	\$60	\$90	\$120	\$150	\$180
HD Tube Upgrade	\$12	\$24	\$36	\$48	\$60	\$75

Note: Cassette can come with or without fabric wrap.

Note: Hanging valances are not available with returns.

Note: HD tube upgrade is required for BTX 35QE RF and ST40. HD tube is available up to 9-feet for designated motors. Call factory for specifics.

Product Options and Surcharges

Motor Options

BTX 25E RF Motor with Battery Wand	\$400
BTX 35QE RF*	\$500
Somfy R28 with Battery Wand*	\$600
Somfy R28 RTS Li-ion WireFree (charger sold separately)*	\$600
Somfy ST30 Quiet RTS with Transformer*	\$935
Somfy ST30 DCT with Transformer*	\$850
Somfy ST30 RS485 with Transformer*	\$1,075
Somfy ST30 RTS Li-ion Wirefree (charger sold separately)*	\$650
Somfy ST40 Quiet RTS*	\$800
Rollease 1.1 Li-ion Rechargeable Battery	\$625
Rollease 1.1 Plug-in*	\$725
Rollease Q2.0 Li-ion Rechargeable Battery*	\$700
Rollease Q2.0 Plug-in*	\$900

*Available for HD tube upgrade

Control Options

BTX Controls	
BTX Handsender 1 or 6-Channel White	\$125
BTX Wireless Wallswitch (2-Ch or 5-Ch)	\$150
BTX SmartConnect RS-232 Interface	\$350
BTX Li-ion Recharger	\$50
Somfy Controls	
Somfy Situo RTS 1-Channel White	\$175
Somfy Situo RTS 5-Channel White	\$250
Somfy Telis RTS 1-Channel Silver or Lounge	\$275
Somfy Telis RTS 5-Channel Silver or Lounge	\$300
Somfy Telis 16-Channel Pure	\$600
Somfy Decoflex 1-Channel Pure	\$350
Somfy Decoflex 5-Channel Pure	\$375
Somfy Battery Tube, 12V, Reloadable	\$75
Somfy MyLink	\$700
Somfy URTSI	\$1,070
Somfy ST-30 Li-ion Recharger	\$40
Somfy Repeater	\$545

Control Options

Rollease Controls	
Rollease Recharger	\$100
Rollease Q2.0/3.0 Power Supply	\$250
Rollease 5-Channel Surface Mount Switch	\$150
Rollease 15-Channel Cut-in Switch	\$150
Rollease 1-Channel Cut-in Switch	\$150
Rollease Handsender Push 5-Channel Matte Black	\$200
Rollease Handsender Push 5-Channel Gloss White	\$200
Rollease Handsender 15-Channel White	\$170
Rollease Handsender 1-Channel White	\$15
Rollease Automate Pulse Hub 2.0	\$650
Rollease Repeater	\$250
Misc. Controls	
Extended Power Lead	\$30/foot
12V or 24V Power Supply Box	\$90 per motor

Hardware Options

Side Channel (Both Sides)	\$30/foot
Heavy Duty Tube	\$12/foot
Coulisse Absolute 2.0 Bracket System Upgrade	\$100

Fabric List [\(See fabric index page 31-32 for Fabric Grid listing\)](#)



Sorina® S Shades

Price Grid 2

Sorina S Manual Retail Pricing

HEIGHT		WIDTH						
		1ft.	2 ft.	3 ft.	4 ft.	5 ft.	6 ft.	
Feet	Inches	12 in.	24 in.	36 in.	48 in.	60 in.	72 in.	
1 ft.	12 in.	\$82	\$103	\$123	\$144	\$165	\$186	
2 ft.	24 in.	\$87	\$113	\$139	\$165	\$191	\$217	
3 ft.	36 in.	\$92	\$123	\$154	\$185	\$217	\$248	
4 ft.	48 in.	\$97	\$133	\$170	\$206	\$242	\$279	
5 ft.	60 in.	\$102	\$144	\$185	\$226	\$268	\$309	
6 ft.	72 in.	\$107	\$154	\$200	\$247	\$294	\$340	
7 ft.	84 in.	\$112	\$164	\$216	\$268	\$319	\$371	
8 ft.	96 in.	\$118	\$174	\$231	\$288	\$345	\$402	

Surcharges

Feet	1 ft.	2 ft.	3 ft.	4 ft.	5 ft.	6 ft.
Inches	12 in.	24 in.	36 in.	48 in.	60 in.	72 in.
3 in. Fascia	\$65	\$75	\$85	\$95	\$105	\$115
Cassette	\$35	\$70	\$105	\$140	\$175	\$210
Sill Channel	\$15	\$30	\$45	\$60	\$75	\$90
Sill Angle	\$8	\$16	\$24	\$32	\$40	\$48
Shade Pocket	\$100	\$125	\$150	\$175	\$200	\$225
Pocket Hanger	\$10	\$20	\$30	\$40	\$50	\$60
Pocket Closure	\$15	\$30	\$45	\$60	\$75	\$90
External Hembar	\$0	\$0	\$0	\$0	\$0	\$0
Hanging Valance	\$30	\$60	\$90	\$120	\$150	\$180
HD Tube Upgrade	\$12	\$24	\$36	\$48	\$60	\$75

Note: Cassette can come with or without fabric wrap.

Note: Hanging valances are not available with returns.

Note: HD tube upgrade is required for BTX 35QE RF and ST40. HD tube is available up to 9-feet for designated motors. Call factory for specifics.

Product Options and Surcharges

Motor Options

BTX 25E RF Motor with Battery Wand	\$400
BTX 35QE RF*	\$500
Somfy R28 with Battery Wand*	\$600
Somfy R28 RTS Li-ion WireFree (charger sold separately)*	\$600
Somfy ST30 Quiet RTS with Transformer*	\$935
Somfy ST30 DCT with Transformer*	\$850
Somfy ST30 RS485 with Transformer*	\$1,075
Somfy ST30 RTS Li-ion Wirefree (charger sold separately)*	\$650
Somfy ST40 Quiet RTS*	\$800
Rollese 1.1 Li-ion Rechargeable Battery	\$625
Rollese 1.1 Plug-in*	\$725
Rollese Q2.0 Li-ion Rechargeable Battery*	\$700
Rollese Q2.0 Plug-in*	\$900

*Available for HD tube upgrade

Control Options

BTX Controls	
BTX Handsender 1 or 6-Channel White	\$125
BTX Wireless Wallswitch (2-Ch or 5-Ch)	\$150
BTX SmartConnect RS-232 Interface	\$350
BTX Li-ion Recharger	\$50
Somfy Controls	
Somfy Situo RTS 1-Channel White	\$175
Somfy Situo RTS 5-Channel White	\$250
Somfy Telis RTS 1-Channel Silver or Lounge	\$275
Somfy Telis RTS 5-Channel Silver or Lounge	\$300
Somfy Telis 16-Channel Pure	\$600
Somfy Decoflex 1-Channel Pure	\$350
Somfy Decoflex 5-Channel Pure	\$375
Somfy Battery Tube, 12V, Reloadable	\$75
Somfy MyLink	\$700
Somfy URTSI	\$1,070
Somfy ST-30 Li-ion Recharger	\$40
Somfy Repeater	\$545

Control Options

Rollese Controls	
Rollese Recharger	\$100
Rollese Q2.0/3.0 Power Supply	\$250
Rollese 5-Channel Surface Mount Switch	\$150
Rollese 15-Channel Cut-in Switch	\$150
Rollese 1-Channel Cut-in Switch	\$150
Rollese Handsender Push 5-Channel Matte Black	\$200
Rollese Handsender Push 5-Channel Gloss White	\$200
Rollese Handsender 15-Channel White	\$170
Rollese Handsender 1-Channel White	\$15
Rollese Automate Pulse Hub 2.0	\$650
Rollese Repeater	\$250
Misc. Controls	
Extended Power Lead	\$30/foot
12V or 24V Power Supply Box	\$90 per motor
Hardware Options	
Side Channel (Both Sides)	\$30/foot
Heavy Duty Tube	\$12/foot
Coulisse Absolute 2.0 Bracket System Upgrade	\$100

Fabric List (See fabric index page 31-32 for Fabric Grid listing)



Sorina® S Shades

Price Grid 3

Sorina S Manual Retail Pricing

HEIGHT		WIDTH						
		Feet	1 ft.	2 ft.	3 ft.	4 ft.	5 ft.	6 ft.
		Inches	12 in.	24 in.	36 in.	48 in.	60 in.	72 in.
HEIGHT	1 ft.	12 in.	\$86	\$111	\$136	\$161	\$187	\$212
	2 ft.	24 in.	\$93	\$125	\$157	\$189	\$221	\$253
	3 ft.	36 in.	\$100	\$138	\$177	\$216	\$255	\$294
	4 ft.	48 in.	\$106	\$152	\$198	\$244	\$289	\$335
	5 ft.	60 in.	\$113	\$166	\$218	\$271	\$323	\$376
	6 ft.	72 in.	\$120	\$180	\$239	\$298	\$358	\$417
	7 ft.	84 in.	\$127	\$193	\$259	\$326	\$392	\$458
	8 ft.	96 in.	\$134	\$207	\$280	\$353	\$426	\$499

Surcharges

Feet	1 ft.	2 ft.	3 ft.	4 ft.	5 ft.	6 ft.
Inches	12 in.	24 in.	36 in.	48 in.	60 in.	72 in.
3 in. Fascia	\$65	\$75	\$85	\$95	\$105	\$115
Cassette	\$35	\$70	\$105	\$140	\$175	\$210
Sill Channel	\$15	\$30	\$45	\$60	\$75	\$90
Sill Angle	\$8	\$16	\$24	\$32	\$40	\$48
Shade Pocket	\$100	\$125	\$150	\$175	\$200	\$225
Pocket Hanger	\$10	\$20	\$30	\$40	\$50	\$60
Pocket Closure	\$15	\$30	\$45	\$60	\$75	\$90
External Hembar	\$0	\$0	\$0	\$0	\$0	\$0
Hanging Valance	\$30	\$60	\$90	\$120	\$150	\$180
HD Tube Upgrade	\$12	\$24	\$36	\$48	\$60	\$75

Note: Cassette can come with or without fabric wrap.

Note: Hanging valances are not available with returns.

Note: HD tube upgrade is required for BTX 35QE RF and ST40. HD tube is available up to 9-feet for designated motors. Call factory for specifics.

Product Options and Surcharges

Motor Options

BTX 25E RF Motor with Battery Wand	\$400
BTX 35QE RF*	\$500
Somfy R28 with Battery Wand*	\$600
Somfy R28 RTS Li-ion WireFree (charger sold separately)*	\$600
Somfy ST30 Quiet RTS with Transformer*	\$935
Somfy ST30 DCT with Transformer*	\$850
Somfy ST30 RS485 with Transformer*	\$1,075
Somfy ST30 RTS Li-ion Wirefree (charger sold separately)*	\$650
Somfy ST40 Quiet RTS*	\$800
Rollese 1.1 Li-ion Rechargeable Battery	\$625
Rollese 1.1 Plug-in*	\$725
Rollese Q2.0 Li-ion Rechargeable Battery*	\$700
Rollese Q2.0 Plug-in*	\$900

*Available for HD tube upgrade

Control Options

BTX Controls

BTX Handsender 1 or 6-Channel White	\$125
BTX Wireless Wallswitch (2-Ch or 5-Ch)	\$150
BTX SmartConnect RS-232 Interface	\$350
BTX Li-ion Recharger	\$50

Somfy Controls

Somfy Situo RTS 1-Channel White	\$175
Somfy Situo RTS 5-Channel White	\$250
Somfy Telis RTS 1-Channel Silver or Lounge	\$275
Somfy Telis RTS 5-Channel Silver or Lounge	\$300
Somfy Telis 16-Channel Pure	\$600
Somfy Decoflex 1-Channel Pure	\$350
Somfy Decoflex 5-Channel Pure	\$375
Somfy Battery Tube, 12V, Reloadable	\$75
Somfy MyLink	\$700
Somfy URTSI	\$1,070
Somfy ST-30 Li-ion Recharger	\$40
Somfy Repeater	\$545

Control Options

Rollese Controls

Rollese Recharger	\$100
Rollese Q2.0/3.0 Power Supply	\$250
Rollese 5-Channel Surface Mount Switch	\$150
Rollese 15-Channel Cut-in Switch	\$150
Rollese 1-Channel Cut-in Switch	\$150
Rollese Handsender Push 5-Channel Matte Black	\$200
Rollese Handsender Push 5-Channel Gloss White	\$200
Rollese Handsender 15-Channel White	\$170
Rollese Handsender 1-Channel White	\$15
Rollese Automate Pulse Hub 2.0	\$650
Rollese Repeater	\$250

Misc. Controls

Extended Power Lead	\$30/foot
12V or 24V Power Supply Box	\$90 per motor

Hardware Options

Side Channel (Both Sides)	\$30/foot
Heavy Duty Tube	\$12/foot
Coulisse Absolute 2.0 Bracket System Upgrade	\$100

Fabric List [\(See fabric index page 31-32 for Fabric Grid listing\)](#)



Sorina® S Shades

Price Grid 4

Sorina S Manual Retail Pricing

HEIGHT		WIDTH						
		1 ft.	2 ft.	3 ft.	4 ft.	5 ft.	6 ft.	
Feet	Inches	12 in.	24 in.	36 in.	48 in.	60 in.	72 in.	
	1 ft.	12 in.	\$90	\$120	\$149	\$179	\$208	\$237
2 ft.	24 in.	\$99	\$137	\$175	\$213	\$251	\$289	
3 ft.	36 in.	\$107	\$154	\$200	\$247	\$294	\$340	
4 ft.	48 in.	\$116	\$171	\$226	\$281	\$336	\$391	
5 ft.	60 in.	\$124	\$188	\$252	\$315	\$379	\$443	
6 ft.	72 in.	\$133	\$205	\$277	\$350	\$422	\$494	
7 ft.	84 in.	\$142	\$222	\$303	\$384	\$465	\$545	
8 ft.	96 in.	\$150	\$239	\$329	\$418	\$507	\$597	

Surcharges

Feet	1 ft.	2 ft.	3 ft.	4 ft.	5 ft.	6 ft.
Inches	12 in.	24 in.	36 in.	48 in.	60 in.	72 in.
3 in. Fascia	\$65	\$75	\$85	\$95	\$105	\$115
Cassette	\$35	\$70	\$105	\$140	\$175	\$210
Sill Channel	\$15	\$30	\$45	\$60	\$75	\$90
Sill Angle	\$8	\$16	\$24	\$32	\$40	\$48
Shade Pocket	\$100	\$125	\$150	\$175	\$200	\$225
Pocket Hanger	\$10	\$20	\$30	\$40	\$50	\$60
Pocket Closure	\$15	\$30	\$45	\$60	\$75	\$90
External Hembar	\$0	\$0	\$0	\$0	\$0	\$0
Hanging Valance	\$30	\$60	\$90	\$120	\$150	\$180
HD Tube Upgrade	\$12	\$24	\$36	\$48	\$60	\$75

Note: Cassette can come with or without fabric wrap.

Note: Hanging valances are not available with returns.

Note: HD tube upgrade is required for BTX 35QE RF and ST40. HD tube is available up to 9-feet for designated motors. Call factory for specifics.

Product Options and Surcharges

Motor Options

BTX 25E RF Motor with Battery Wand	\$400
BTX 35QE RF*	\$500
Somfy R28 with Battery Wand*	\$600
Somfy R28 RTS Li-ion WireFree (charger sold separately)*	\$600
Somfy ST30 Quiet RTS with Transformer*	\$935
Somfy ST30 DCT with Transformer*	\$850
Somfy ST30 RS485 with Transformer*	\$1,075
Somfy ST30 RTS Li-ion WireFree (charger sold separately)*	\$650
Somfy ST40 Quiet RTS*	\$800
Rollese 1.1 Li-ion Rechargeable Battery	\$625
Rollese 1.1 Plug-in*	\$725
Rollese Q2.0 Li-ion Rechargeable Battery*	\$700
Rollese Q2.0 Plug-in*	\$900

*Available for HD tube upgrade

Control Options

BTX Controls	
BTX Handsender 1 or 6-Channel White	\$125
BTX Wireless Wallswitch (2-Ch or 5-Ch)	\$150
BTX SmartConnect RS-232 Interface	\$350
BTX Li-ion Recharger	\$50
Somfy Controls	
Somfy Situo RTS 1-Channel White	\$175
Somfy Situo RTS 5-Channel White	\$250
Somfy Telis RTS 1-Channel Silver or Lounge	\$275
Somfy Telis RTS 5-Channel Silver or Lounge	\$300
Somfy Telis 16-Channel Pure	\$600
Somfy Decoflex 1-Channel Pure	\$350
Somfy Decoflex 5-Channel Pure	\$375
Somfy Battery Tube, 12V, Reloadable	\$75
Somfy MyLink	\$700
Somfy URTSI	\$1,070
Somfy ST-30 Li-ion Recharger	\$40
Somfy Repeater	\$545

Control Options

Rollese Controls	
Rollese Recharger	\$100
Rollese Q2.0/3.0 Power Supply	\$250
Rollese 5-Channel Surface Mount Switch	\$150
Rollese 15-Channel Cut-in Switch	\$150
Rollese 1-Channel Cut-in Switch	\$150
Rollese Handsender Push 5-Channel Matte Black	\$200
Rollese Handsender Push 5-Channel Gloss White	\$200
Rollese Handsender 15-Channel White	\$170
Rollese Handsender 1-Channel White	\$15
Rollese Automate Pulse Hub 2.0	\$650
Rollese Repeater	\$250
Misc. Controls	
Extended Power Lead	\$30/foot
Hardware Options Supply Box	\$90 per motor
Side Channel (Both Sides)	\$30/foot
Heavy Duty Tube	\$12/foot
Coulisse Absolute 2.0 Bracket System Upgrade	\$100

Fabric List (See fabric index page 31-32 for Fabric Grid listing)



Sorina S Manual Retail Pricing

		WIDTH					
		1ft.	2 ft.	3 ft.	4 ft.	5 ft.	6 ft.
HEIGHT	Feet	12 in.	24 in.	36 in.	48 in.	60 in.	72 in.
	1 ft.	\$94	\$128	\$162	\$196	\$229	\$263
	2 ft.	\$105	\$149	\$193	\$237	\$281	\$325
	3 ft.	\$115	\$169	\$224	\$278	\$332	\$386
	4 ft.	\$125	\$190	\$254	\$319	\$383	\$448
	5 ft.	\$136	\$210	\$285	\$360	\$435	\$509
	6 ft.	\$146	\$231	\$316	\$401	\$486	\$571
	7 ft.	\$156	\$251	\$347	\$442	\$537	\$633
	8 ft.	\$166	\$272	\$378	\$483	\$589	\$694

Surcharges

Feet	1 ft.	2 ft.	3 ft.	4 ft.	5 ft.	6 ft.
Inches	12 in.	24 in.	36 in.	48 in.	60 in.	72 in.
3 in. Fascia	\$65	\$75	\$85	\$95	\$105	\$115
Cassette	\$35	\$70	\$105	\$140	\$175	\$210
Sill Channel	\$15	\$30	\$45	\$60	\$75	\$90
Sill Angle	\$8	\$16	\$24	\$32	\$40	\$48
Shade Pocket	\$100	\$125	\$150	\$175	\$200	\$225
Pocket Hanger	\$10	\$20	\$30	\$40	\$50	\$60
Pocket Closure	\$15	\$30	\$45	\$60	\$75	\$90
External Hembar	\$0	\$0	\$0	\$0	\$0	\$0
Hanging Valance	\$30	\$60	\$90	\$120	\$150	\$180
HD Tube Upgrade	\$12	\$24	\$36	\$48	\$60	\$75

Note: Cassette can come with or without fabric wrap.

Note: Hanging valances are not available with returns.

Note: HD tube upgrade is required for BTX 35QE RF and ST40. HD tube is available up to 9-feet for designated motors. Call factory for specifics.

Product Options and Surcharges

Motor Options

BTX 25E RF Motor with Battery Wand	\$400
BTX 35QE RF*	\$500
Somfy R28 with Battery Wand*	\$600
Somfy R28 RTS Li-ion WireFree (charger sold separately)*	\$600
Somfy ST30 Quiet RTS with Transformer*	\$935
Somfy ST30 DCT with Transformer*	\$850
Somfy ST30 RS485 with Transformer*	\$1,075
Somfy ST30 RTS Li-ion Wirefree (charger sold separately)*	\$650
Somfy ST40 Quiet RTS*	\$800
Rollease 1.1 Li-ion Rechargeable Battery	\$625
Rollease 1.1 Plug-in*	\$725
Rollease Q2.0 Li-ion Rechargeable Battery*	\$700
Rollease Q2.0 Plug-in*	\$900

*Available for HD tube upgrade

Control Options

BTX Controls	
BTX Handsender 1 or 6-Channel White	\$125
BTX Wireless Wallswitch (2-Ch or 5-Ch)	\$150
BTX SmartConnect RS-232 Interface	\$350
BTX Li-ion Recharger	\$50
Somfy Controls	
Somfy Situo RTS 1-Channel White	\$175
Somfy Situo RTS 5-Channel White	\$250
Somfy Telis RTS 1-Channel Silver or Lounge	\$275
Somfy Telis RTS 5-Channel Silver or Lounge	\$300
Somfy Telis 16-Channel Pure	\$600
Somfy Decoflex 1-Channel Pure	\$350
Somfy Decoflex 5-Channel Pure	\$375
Somfy Battery Tube, 12V, Reloadable	\$75
Somfy MyLink	\$700
Somfy URTS	\$1,070
Somfy ST-30 Li-ion Recharger	\$40
Somfy Repeater	\$545

Control Options

Rollease Controls	
Rollease Recharger	\$100
Rollease Q2.0/3.0 Power Supply	\$250
Rollease 5-Channel Surface Mount Switch	\$150
Rollease 15-Channel Cut-in Switch	\$150
Rollease 1-Channel Cut-in Switch	\$150
Rollease Handsender Push 5-Channel Matte Black	\$200
Rollease Handsender Push 5-Channel Gloss White	\$200
Rollease Handsender 15-Channel White	\$170
Rollease Handsender 1-Channel White	\$15
Rollease Automate Pulse Hub 2.0	\$650
Rollease Repeater	\$250
Misc. Controls	
Extended Power Lead	\$30/foot
Hardware Options Supply Box	\$90 per motor
Side Channel (Both Sides)	\$30/foot
Heavy Duty Tube	\$12/foot
Coulisse Absolute 2.0 Bracket System Upgrade	\$100

Fabric List (See fabric index page 31-32 for Fabric Grid listing)



Sorina® S Shades

Price Grid 6

Sorina S Manual Retail Pricing

HEIGHT		WIDTH					
		1 ft.	2 ft.	3 ft.	4 ft.	5 ft.	6 ft.
Feet	Inches	12 in.	24 in.	36 in.	48 in.	60 in.	72 in.
1 ft.	12 in.	\$103	\$145	\$188	\$230	\$272	\$314
2 ft.	24 in.	\$117	\$173	\$229	\$285	\$341	\$397
3 ft.	36 in.	\$130	\$200	\$270	\$339	\$409	\$479
4 ft.	48 in.	\$144	\$227	\$311	\$394	\$477	\$561
5 ft.	60 in.	\$158	\$255	\$352	\$449	\$546	\$643
6 ft.	72 in.	\$171	\$282	\$393	\$504	\$614	\$725
7 ft.	84 in.	\$185	\$310	\$434	\$558	\$683	\$807
8 ft.	96 in.	\$199	\$337	\$475	\$613	\$751	\$889

Surcharges

Feet	1 ft.	2 ft.	3 ft.	4 ft.	5 ft.	6 ft.
Inches	12 in.	24 in.	36 in.	48 in.	60 in.	72 in.
3 in. Fascia	\$65	\$75	\$85	\$95	\$105	\$115
Cassette	\$35	\$70	\$105	\$140	\$175	\$210
Sill Channel	\$15	\$30	\$45	\$60	\$75	\$90
Sill Angle	\$8	\$16	\$24	\$32	\$40	\$48
Shade Pocket	\$100	\$125	\$150	\$175	\$200	\$225
Pocket Hanger	\$10	\$20	\$30	\$40	\$50	\$60
Pocket Closure	\$15	\$30	\$45	\$60	\$75	\$90
External Hembar	\$0	\$0	\$0	\$0	\$0	\$0
Hanging Valance	\$30	\$60	\$90	\$120	\$150	\$180
HD Tube Upgrade	\$12	\$24	\$36	\$48	\$60	\$75

Note: Cassette can come with or without fabric wrap.

Note: Hanging valances are not available with returns.

Note: HD tube upgrade is required for BTX 35QE RF and ST40. HD tube is available up to 9-feet for designated motors. Call factory for specifics.

Product Options and Surcharges

Motor Options

BTX 25E RF Motor with Battery Wand	\$400
BTX 35QE RF*	\$500
Somfy R28 with Battery Wand*	\$600
Somfy R28 RTS Li-ion WireFree (charger sold separately)*	\$600
Somfy ST30 Quiet RTS with Transformer*	\$935
Somfy ST30 DCT with Transformer*	\$850
Somfy ST30 RS485 with Transformer*	\$1,075
Somfy ST30 RTS Li-ion Wirefree (charger sold separately)*	\$650
Somfy ST40 Quiet RTS*	\$800
Rollese 1.1 Li-ion Rechargeable Battery	\$625
Rollese 1.1 Plug-in*	\$725
Rollese Q2.0 Li-ion Rechargeable Battery*	\$700
Rollese Q2.0 Plug-in*	\$900

*Available for HD tube upgrade

Control Options

BTX Controls	
BTX Handsender 1 or 6-Channel White	\$125
BTX Wireless Wallswitch (2-Ch or 5-Ch)	\$150
BTX SmartConnect RS-232 Interface	\$350
BTX Li-ion Recharger	\$50
Somfy Controls	
Somfy Situo RTS 1-Channel White	\$175
Somfy Situo RTS 5-Channel White	\$250
Somfy Telis RTS 1-Channel Silver or Lounge	\$275
Somfy Telis RTS 5-Channel Silver or Lounge	\$300
Somfy Telis 16-Channel Pure	\$600
Somfy Decoflex 1-Channel Pure	\$350
Somfy Decoflex 5-Channel Pure	\$375
Somfy Battery Tube, 12V, Reloadable	\$75
Somfy MyLink	\$700
Somfy URTSI	\$1,070
Somfy ST-30 Li-ion Recharger	\$40
Somfy Repeater	\$545

Control Options

Rollese Controls	
Rollese Recharger	\$100
Rollese Q2.0/3.0 Power Supply	\$250
Rollese 5-Channel Surface Mount Switch	\$150
Rollese 15-Channel Cut-in Switch	\$150
Rollese 1-Channel Cut-in Switch	\$150
Rollese Handsender Push 5-Channel Matte Black	\$200
Rollese Handsender Push 5-Channel Gloss White	\$200
Rollese Handsender 15-Channel White	\$170
Rollese Handsender 1-Channel White	\$15
Rollese Automate Pulse Hub 2.0	\$650
Rollese Repeater	\$250
Misc. Controls	
Extended Power Lead	\$30/foot
12V or 24V Power Supply Box	\$90 per motor

Hardware Options

Side Channel (Both Sides)	\$30/foot
Heavy Duty Tube	\$12/foot
Coulisse Absolute 2.0 Bracket System Upgrade	\$100

Fabric List (See fabric index page 31-32 for Fabric Grid listing)



Sorina® S Shades

Price Grid 7

Sorina S Manual Retail Pricing

HEIGHT		WIDTH					
		1 ft.	2 ft.	3 ft.	4 ft.	5 ft.	6 ft.
Feet	Inches	12 in.	24 in.	36 in.	48 in.	60 in.	72 in.
	1 ft.	12 in.	\$112	\$162	\$213	\$264	\$315
2 ft.	24 in.	\$129	\$197	\$265	\$333	\$400	\$468
3 ft.	36 in.	\$146	\$231	\$316	\$401	\$486	\$571
4 ft.	48 in.	\$163	\$265	\$367	\$469	\$572	\$674
5 ft.	60 in.	\$180	\$299	\$419	\$538	\$657	\$776
6 ft.	72 in.	\$197	\$334	\$470	\$606	\$743	\$879
7 ft.	84 in.	\$214	\$368	\$521	\$675	\$828	\$982
8 ft.	96 in.	\$231	\$402	\$573	\$743	\$914	\$1,084

Surcharges

Feet	1 ft.	2 ft.	3 ft.	4 ft.	5 ft.	6 ft.
Inches	12 in.	24 in.	36 in.	48 in.	60 in.	72 in.
3 in. Fascia	\$65	\$75	\$85	\$95	\$105	\$115
Cassette	\$35	\$70	\$105	\$140	\$175	\$210
Sill Channel	\$15	\$30	\$45	\$60	\$75	\$90
Sill Angle	\$8	\$16	\$24	\$32	\$40	\$48
Shade Pocket	\$100	\$125	\$150	\$175	\$200	\$225
Pocket Hanger	\$10	\$20	\$30	\$40	\$50	\$60
Pocket Closure	\$15	\$30	\$45	\$60	\$75	\$90
External Hembar	\$0	\$0	\$0	\$0	\$0	\$0
Hanging Valance	\$30	\$60	\$90	\$120	\$150	\$180
HD Tube Upgrade	\$12	\$24	\$36	\$48	\$60	\$75

Note: Cassette can come with or without fabric wrap.

Note: Hanging valances are not available with returns.

Note: HD tube upgrade is required for BTX 35QE RF and ST40. HD tube is available up to 9-feet for designated motors. Call factory for specifics.

Product Options and Surcharges

Motor Options

BTX 25E RF Motor with Battery Wand	\$400
BTX 35QE RF*	\$500
Somfy R28 with Battery Wand*	\$600
Somfy R28 RTS Li-ion WireFree (charger sold separately)*	\$600
Somfy ST30 Quiet RTS with Transformer*	\$935
Somfy ST30 DCT with Transformer*	\$850
Somfy ST30 RS485 with Transformer*	\$1,075
Somfy ST30 RTS Li-ion Wirefree (charger sold separately)*	\$650
Somfy ST40 Quiet RTS*	\$800
Rollease 1.1 Li-ion Rechargeable Battery	\$625
Rollease 1.1 Plug-in*	\$725
Rollease Q2.0 Li-ion Rechargeable Battery*	\$700
Rollease Q2.0 Plug-in*	\$900

*Available for HD tube upgrade

Control Options

BTX Controls	
BTX Handsender 1 or 6-Channel White	\$125
BTX Wireless Wallswitch (2-Ch or 5-Ch)	\$150
BTX SmartConnect RS-232 Interface	\$350
BTX Li-ion Recharger	\$50
Somfy Controls	
Somfy Situo RTS 1-Channel White	\$175
Somfy Situo RTS 5-Channel White	\$250
Somfy Telis RTS 1-Channel Silver or Lounge	\$275
Somfy Telis RTS 5-Channel Silver or Lounge	\$300
Somfy Telis 16-Channel Pure	\$600
Somfy Decoflex 1-Channel Pure	\$350
Somfy Decoflex 5-Channel Pure	\$375
Somfy Battery Tube, 12V, Reloadable	\$75
Somfy MyLink	\$700
Somfy URTSI	\$1,070
Somfy ST-30 Li-ion Recharger	\$40
Somfy Repeater	\$545

Control Options

Rollease Controls	
Rollease Recharger	\$100
Rollease Q2.0/3.0 Power Supply	\$250
Rollease 5-Channel Surface Mount Switch	\$150
Rollease 15-Channel Cut-in Switch	\$150
Rollease 1-Channel Cut-in Switch	\$150
Rollease Handsender Push 5-Channel Matte Black	\$200
Rollease Handsender Push 5-Channel Gloss White	\$200
Rollease Handsender 15-Channel White	\$170
Rollease Handsender 1-Channel White	\$15
Rollease Automate Pulse Hub 2.0	\$650
Rollease Repeater	\$250
Misc. Controls	
Extended Power Lead	\$30/foot
12V or 24V Power Supply Box	\$90 per motor

Hardware Options

Side Channel (Both Sides)	\$30/foot
Heavy Duty Tube	\$12/foot
Coulisse Absolute 2.0 Bracket System Upgrade	\$100

Fabric List [\(See fabric index page 31-32 for Fabric Grid listing\)](#)



Sorina M systems come available in both manual and motorized options and are designed to handle medium to large windows based on the application. M-class systems use a slightly bigger tube size and heavier duty hardware than the Sorina S product line. This allows M-class systems to be built at larger sizes with more customization options. Combine these systems with our wide range of fabrics for a complete Intelligent Fashion solution.



M Class (Medium) Manual Roller Shade System

- Max size: 9 ft. by 12 ft. *(depending on weight of fabric)*
- 2 in. tube and bracket system
- 4 in. fascia options
- Cassette with fabric wrap options



M Class (Medium) Motorized Roller Shade System

- AC, DC, or Battery Motorized system options
- Max size: 9 ft. by 12 ft. *(depending on weight of fabric)*
- HD Tube available up to 10 ft.
- Max lifting capacity determined by motor (see page 41)
- 2 in. tube and bracket system
- 4 in. fascia options

Contact factory for coupled systems.

What comes with the standard grid price?

Your BTX Intelligent Fashion Sorina M Roller Shade System comes with

- Fully fabricated manual Roller Shade system, built to your exact specifications
- Stainless Steel bead chain
- 2 in. hook mounting clutch and bracket system
- Fabric listed for the selected grid
- Sealed internal bottom bar (Depending on fabric. Some fabrics cannot use sealed bottom bar)

Important information regarding this system

- Motorized systems are available as an upcharge. (See product options and surcharges at the bottom of each pricing page)
- Control devices for motorized systems are sold separately! Please specify whether you want a handsender, wall switch, or other control method.
- Additional peripherals may be required based on your control scenario
- Please be prepared to answer the following questions about your system:
 - Clutch or Motor Side (left or right)
 - Roll direction (standard front roll or reverse roll)
 - Hardware color (white, vanilla, silver, or bronze)
 - How would you like the systems programmed, if motorized (we do program and test everything before shipping!)
 - Do you need any additional accessories like fascia, side channel, etc. for an upcharge.
- Railroading may be necessary based on size.
- Not all fabrics can be railroaded.
- If you require a larger size, you may need to move up to a Sorina M, Sorina L, or Sorina XL class shade.
- Contact the factory for coupled shades.
- If you have a preference on packaging method (box or crate), please specify, otherwise we will select the safest and most economical method.

Sorina M Manual Retail Pricing

HEIGHT		WIDTH								
		1ft.	2 ft.	3 ft.	4 ft.	5 ft.	6 ft.	7 ft.	8 ft.	9 ft.
Feet	Inches	12 in.	24 in.	36 in.	48 in.	60 in.	72 in.	84 in.	96 in.	108 in.
1 ft.	12 in.	\$96	\$118	\$140	\$163	\$185	\$207	\$230	\$252	\$274
2 ft.	24 in.	\$99	\$125	\$151	\$176	\$202	\$228	\$254	\$279	\$305
3 ft.	36 in.	\$103	\$132	\$161	\$190	\$219	\$248	\$278	\$307	\$336
4 ft.	48 in.	\$106	\$139	\$171	\$204	\$236	\$269	\$302	\$334	\$367
5 ft.	60 in.	\$110	\$146	\$182	\$218	\$254	\$290	\$326	\$361	\$397
6 ft.	72 in.	\$113	\$152	\$192	\$231	\$271	\$310	\$349	\$389	\$428
7 ft.	84 in.	\$116	\$159	\$202	\$245	\$288	\$331	\$373	\$416	\$459
8 ft.	96 in.	\$120	\$166	\$212	\$259	\$305	\$351	\$397	\$444	\$490
9 ft.	108 in.	\$123	\$173	\$223	\$272	\$322	\$372	\$421	\$471	\$521
10 ft.	120 in.	\$127	\$180	\$233	\$286	\$339	\$392	\$445	\$498	\$551
11 ft.	132 in.	\$130	\$187	\$243	\$300	\$356	\$413	\$469	\$526	\$582
12 ft.	144 in.	\$133	\$193	\$253	\$313	\$373	\$433	\$493	\$553	\$613

Surcharges

Feet	1 ft.	2 ft.	3 ft.	4 ft.	5 ft.	6 ft.	7 ft.	8 ft.	9 ft.
Inches	12 in.	24 in.	36 in.	48 in.	60 in.	72 in.	84 in.	96 in.	108 in.
4 in. Fascia	\$80	\$90	\$100	\$110	\$120	\$130	\$140	\$150	\$160
4 in. Backplate	\$85	\$100	\$115	\$130	\$145	\$160	\$175	\$190	\$205
4 in. Fascia & Backplate	\$95	\$120	\$145	\$170	\$195	\$220	\$245	\$270	\$295
Cassette	\$30	\$45	\$60	\$85	\$100	\$115	\$130	\$145	\$160
Sill Channel	\$15	\$30	\$45	\$60	\$75	\$90	\$105	\$120	\$135
Sill Angle	\$8	\$16	\$24	\$32	\$40	\$48	\$56	\$64	\$72
Shade Pocket	\$100	\$125	\$150	\$175	\$200	\$225	\$250	\$275	\$300
Pocket Hanger	\$10	\$20	\$30	\$40	\$50	\$60	\$70	\$80	\$90
Pocket Closure	\$15	\$30	\$45	\$60	\$75	\$90	\$105	\$120	\$135
External Hembar	\$0	\$0	\$0	\$0	\$0	\$0	\$0	\$0	\$0
Hanging Valance	\$30	\$60	\$90	\$120	\$150	\$180	\$210	\$240	\$270

Note: Cassette can come with or without fabric wrap.
 Note: Hanging valances are not available with returns.

Product Options and Surcharges

Motor Options BTX 110V AC 45QE RF (101.8803) \$500 BTX 45QE-RF Li-ion (101.5503)..... \$525 BTX 24V DC RF (101.9215)..... \$675 BTX 24V DC 2-Wire (101.9220)..... \$485 Somfy ST40 Quiet RTS (101.9565)..... \$1,125 Somfy ST50 Quiet RTS (101.9542)..... \$965 Somfy ST50 ULTRA AC RTS (101.9543)..... \$1,075 Somfy ST50 ULTRA DC RTS (101.9551)..... \$1,200 Rollease Q3.0 Li-ion Rechargeable Battery..... \$950 Rollease Q3.0 Plug-in \$1,200	Control Options BTX Controls BTX Handsender 1 or 6-Channel White \$125 BTX Wireless Wallswitch (2-Ch or 5-Ch)..... \$150 BTX SmartConnect RS-232 Interface \$350 BTX Li-ion Recharger..... \$50 Somfy Controls Somfy Situo RTS 1-Channel White..... \$175 Somfy Situo RTS 5-Channel White..... \$250 Somfy Telis RTS 1-Channel Silver or Lounge..... \$275 Somfy Telis RTS 5-Channel Silver or Lounge..... \$300 Somfy Telis 16-Channel Pure \$600 Somfy Decoflex 1-Channel Pure \$350 Somfy Decoflex 5-Channel Pure \$375 Somfy Battery Tube, 12V, Reloadable \$75 Somfy MyLink \$700 Somfy URTSI \$1,070 Somfy ST-30 Li-ion Recharger..... \$40 Somfy Repeater..... \$545	Control Options Rollease Controls Rollease Recharger..... \$100 Rollease Q2.0/3.0 Power Supply..... \$250 Rollease 5-Channel Surface Mount Switch \$150 Rollease 15-Channel Cut-in Switch \$150 Rollease 1-Channel Cut-in Switch \$150 Rollease Handsender Push 5-Channel Matte Black \$200 Rollease Handsender Push 5-Channel Gloss White..... \$200 Rollease Handsender 15-Channel White..... \$170 Rollease Handsender 1-Channel White..... \$15 Rollease Automate Pulse Hub 2.0 \$650 Rollease Repeater \$250 Misc. Controls Extended Power Lead \$30/foot 12V or 24V Power Supply Box \$90 per motor Hardware Options Side Channel (Both Sides) \$30/foot Coulisse Absolute 2.0 Bracket System Upgrade \$100
---	--	---

Fabric List *(See fabric index page 31-32 for Fabric Grid listing)*



Sorina M Manual Retail Pricing

HEIGHT		WIDTH								
		1ft.	2 ft.	3 ft.	4 ft.	5 ft.	6 ft.	7 ft.	8 ft.	9 ft.
Feet	Inches	12 in.	24 in.	36 in.	48 in.	60 in.	72 in.	84 in.	96 in.	108 in.
1 ft.	12 in.	\$100	\$127	\$153	\$180	\$206	\$233	\$260	\$286	\$313
2 ft.	24 in.	\$105	\$137	\$169	\$200	\$232	\$264	\$296	\$327	\$359
3 ft.	36 in.	\$110	\$147	\$184	\$221	\$258	\$295	\$331	\$368	\$405
4 ft.	48 in.	\$116	\$158	\$199	\$241	\$283	\$325	\$367	\$409	\$451
5 ft.	60 in.	\$121	\$168	\$215	\$262	\$309	\$356	\$403	\$450	\$498
6 ft.	72 in.	\$126	\$178	\$230	\$283	\$335	\$387	\$439	\$492	\$544
7 ft.	84 in.	\$131	\$188	\$246	\$303	\$360	\$418	\$475	\$533	\$590
8 ft.	96 in.	\$136	\$199	\$261	\$324	\$386	\$449	\$511	\$574	\$636
9 ft.	108 in.	\$141	\$209	\$276	\$344	\$412	\$479	\$547	\$615	\$682
10 ft.	120 in.	\$146	\$219	\$292	\$365	\$437	\$510	\$583	\$656	\$729
11 ft.	132 in.	\$151	\$229	\$307	\$385	\$463	\$541	\$619	\$697	\$775
12 ft.	144 in.	\$157	\$240	\$323	\$406	\$489	\$572	\$655	\$738	\$821

Surcharges

Feet	1 ft.	2 ft.	3 ft.	4 ft.	5 ft.	6 ft.	7 ft.	8 ft.	9 ft.
Inches	12 in.	24 in.	36 in.	48 in.	60 in.	72 in.	84 in.	96 in.	108 in.
4 in. Fascia	\$80	\$90	\$100	\$110	\$120	\$130	\$140	\$150	\$160
4 in. Backplate	\$85	\$100	\$115	\$130	\$145	\$160	\$175	\$190	\$205
4 in. Fascia & Backplate	\$95	\$120	\$145	\$170	\$195	\$220	\$245	\$270	\$295
Cassette	\$30	\$45	\$60	\$85	\$100	\$115	\$130	\$145	\$160
Sill Channel	\$15	\$30	\$45	\$60	\$75	\$90	\$105	\$120	\$135
Sill Angle	\$8	\$16	\$24	\$32	\$40	\$48	\$56	\$64	\$72
Shade Pocket	\$100	\$125	\$150	\$175	\$200	\$225	\$250	\$275	\$300
Pocket Hanger	\$10	\$20	\$30	\$40	\$50	\$60	\$70	\$80	\$90
Pocket Closure	\$15	\$30	\$45	\$60	\$75	\$90	\$105	\$120	\$135
External Hembar	\$0	\$0	\$0	\$0	\$0	\$0	\$0	\$0	\$0
Hanging Valance	\$30	\$60	\$90	\$120	\$150	\$180	\$210	\$240	\$270

Note: Cassette can come with or without fabric wrap.
 Note: Hanging valances are not available with returns.

Product Options and Surcharges

Motor Options

BTX 110V AC 45QE RF (101.8803)	\$500
BTX 45QE-RF Li-ion (101.5503)	\$525
BTX 24V DC RF (101.9215)	\$675
BTX 24V DC 2-Wire (101.9220)	\$485
Somfy ST40 Quiet RTS (101.9565)	\$1,125
Somfy ST50 Quiet RTS (101.9542)	\$965
Somfy ST50 ULTRA AC RTS (101.9543)	\$1,075
Somfy ST50 ULTRA DC RTS (101.9551)	\$1,200
Rollese Q3.0 Li-ion Rechargeable Battery	\$950
Rollese Q3.0 Plug-in	\$1,200

Control Options

BTX Controls	
BTX Handsender 1 or 6-Channel White	\$125
BTX Wireless Wallswitch (2-Ch or 5-Ch)	\$150
BTX SmartConnect RS-232 Interface	\$350
BTX Li-ion Recharger	\$50
Somfy Controls	
Somfy Situo RTS 1-Channel White	\$175
Somfy Situo RTS 5-Channel White	\$250
Somfy Telis RTS 1-Channel Silver or Lounge	\$275
Somfy Telis RTS 5-Channel Silver or Lounge	\$300
Somfy Telis 16-Channel Pure	\$600
Somfy Decoflex 1-Channel Pure	\$350
Somfy Decoflex 5-Channel Pure	\$375
Somfy Battery Tube, 12V, Reloadable	\$75
Somfy MyLink	\$700
Somfy URTSI	\$1,070
Somfy ST-30 Li-ion Recharger	\$40
Somfy Repeater	\$545

Control Options

Rollese Controls	
Rollese Recharger	\$100
Rollese Q2.0/3.0 Power Supply	\$250
Rollese 5-Channel Surface Mount Switch	\$150
Rollese 15-Channel Cut-in Switch	\$150
Rollese 1-Channel Cut-in Switch	\$150
Rollese Handsender Push 5-Channel Matte Black	\$200
Rollese Handsender Push 5-Channel Gloss White	\$200
Rollese Handsender 15-Channel White	\$170
Rollese Handsender 1-Channel White	\$15
Rollese Automate Pulse Hub 2.0	\$650
Rollese Repeater	\$250
Misc. Controls	
Extended Power Lead	\$30/foot
12V or 24V Power Supply Box	\$90 per motor

Hardware Options

Side Channel (Both Sides)	\$30/foot
Coulisse Absolute 2.0 Bracket System Upgrade	\$100

Fabric List *(See fabric index page 31-32 for Fabric Grid listing)*



Sorina® M Shades

Price Grid 3

Sorina M Manual Retail Pricing

HEIGHT		WIDTH								
		1ft.	2 ft.	3 ft.	4 ft.	5 ft.	6 ft.	7 ft.	8 ft.	9 ft.
Feet	Inches	12 in.	24 in.	36 in.	48 in.	60 in.	72 in.	84 in.	96 in.	108 in.
1 ft.	12 in.	\$104	\$135	\$166	\$197	\$228	\$259	\$290	\$320	\$351
2 ft.	24 in.	\$111	\$149	\$187	\$224	\$262	\$300	\$337	\$375	\$413
3 ft.	36 in.	\$118	\$163	\$207	\$252	\$296	\$341	\$385	\$430	\$474
4 ft.	48 in.	\$125	\$176	\$228	\$279	\$331	\$382	\$433	\$485	\$536
5 ft.	60 in.	\$132	\$190	\$248	\$306	\$365	\$423	\$481	\$539	\$598
6 ft.	72 in.	\$139	\$204	\$269	\$334	\$399	\$464	\$529	\$594	\$659
7 ft.	84 in.	\$145	\$217	\$289	\$361	\$433	\$505	\$577	\$649	\$721
8 ft.	96 in.	\$152	\$231	\$310	\$389	\$467	\$546	\$625	\$704	\$782
9 ft.	108 in.	\$159	\$245	\$330	\$416	\$502	\$587	\$673	\$758	\$844
10 ft.	120 in.	\$166	\$258	\$351	\$443	\$536	\$628	\$721	\$813	\$906
11 ft.	132 in.	\$173	\$272	\$371	\$471	\$570	\$669	\$769	\$868	\$967
12 ft.	144 in.	\$180	\$286	\$392	\$498	\$604	\$710	\$817	\$923	\$1,029

Surcharges

Feet	1 ft.	2 ft.	3 ft.	4 ft.	5 ft.	6 ft.	7 ft.	8 ft.	9 ft.
Inches	12 in.	24 in.	36 in.	48 in.	60 in.	72 in.	84 in.	96 in.	108 in.
4 in. Fascia	\$80	\$90	\$100	\$110	\$120	\$130	\$140	\$150	\$160
4 in. Backplate	\$85	\$100	\$115	\$130	\$145	\$160	\$175	\$190	\$205
4 in. Fascia & Backplate	\$95	\$120	\$145	\$170	\$195	\$220	\$245	\$270	\$295
Cassette	\$30	\$45	\$60	\$85	\$100	\$115	\$130	\$145	\$160
Sill Channel	\$15	\$30	\$45	\$60	\$75	\$90	\$105	\$120	\$135
Sill Angle	\$8	\$16	\$24	\$32	\$40	\$48	\$56	\$64	\$72
Shade Pocket	\$100	\$125	\$150	\$175	\$200	\$225	\$250	\$275	\$300
Pocket Hanger	\$10	\$20	\$30	\$40	\$50	\$60	\$70	\$80	\$90
Pocket Closure	\$15	\$30	\$45	\$60	\$75	\$90	\$105	\$120	\$135
External Hembar	\$0	\$0	\$0	\$0	\$0	\$0	\$0	\$0	\$0
Hanging Valance	\$30	\$60	\$90	\$120	\$150	\$180	\$210	\$240	\$270

Note: Cassette can come with or without fabric wrap.
 Note: Hanging valances are not available with returns.

Product Options and Surcharges

Motor Options BTX 110V AC 45QE RF (101.8803) \$500 BTX 45QE-RF Li-ion (101.5503)..... \$525 BTX 24V DC RF (101.9215)..... \$675 BTX 24V DC 2-Wire (101.9220)..... \$485 Somfy ST40 Quiet RTS (101.9565)..... \$1,125 Somfy ST50 Quiet RTS (101.9542)..... \$965 Somfy ST50 ULTRA AC RTS (101.9543)..... \$1,075 Somfy ST50 ULTRA DC RTS (101.9551)..... \$1,200 Rollease Q3.0 Li-ion Rechargeable Battery..... \$950 Rollease Q3.0 Plug-in \$1,200	Control Options BTX Controls BTX Handsender 1 or 6-Channel White \$125 BTX Wireless Wallswitch (2-Ch or 5-Ch)..... \$150 BTX SmartConnect RS-232 Interface \$350 BTX Li-ion Recharger..... \$50 Somfy Controls Somfy Situo RTS 1-Channel White..... \$175 Somfy Situo RTS 5-Channel White..... \$250 Somfy Telis RTS 1-Channel Silver or Lounge..... \$275 Somfy Telis RTS 5-Channel Silver or Lounge..... \$300 Somfy Telis 16-Channel Pure \$600 Somfy Decoflex 1-Channel Pure \$350 Somfy Decoflex 5-Channel Pure \$375 Somfy Battery Tube, 12V, Reloadable \$75 Somfy MyLink \$700 Somfy URTSI \$1,070 Somfy ST-30 Li-ion Recharger..... \$40 Somfy Repeater..... \$545	Control Options Rollease Controls Rollease Recharger..... \$100 Rollease Q2.0/3.0 Power Supply..... \$250 Rollease 5-Channel Surface Mount Switch \$150 Rollease 15-Channel Cut-in Switch \$150 Rollease 1-Channel Cut-in Switch \$150 Rollease Handsender Push 5-Channel Matte Black \$200 Rollease Handsender Push 5-Channel Gloss White..... \$200 Rollease Handsender 15-Channel White..... \$170 Rollease Handsender 1-Channel White..... \$15 Rollease Automate Pulse Hub 2.0 \$650 Rollease Repeater \$250 Misc. Controls Extended Power Lead \$30/foot 12V or 24V Power Supply Box \$90 per motor Hardware Options Side Channel (Both Sides) \$30/foot Coulisse Absolute 2.0 Bracket System Upgrade \$100
---	--	---

Fabric List *(See fabric index page 31-32 for Fabric Grid listing)*



Sorina M Manual Retail Pricing

HEIGHT		WIDTH									
		1ft.	2 ft.	3 ft.	4 ft.	5 ft.	6 ft.	7 ft.	8 ft.	9 ft.	
Feet	Inches	12 in.	24 in.	36 in.	48 in.	60 in.	72 in.	84 in.	96 in.	108 in.	
1 ft.	12 in.	\$109	\$144	\$179	\$214	\$249	\$284	\$320	\$355	\$390	
2 ft.	24 in.	\$117	\$161	\$205	\$248	\$292	\$336	\$379	\$423	\$467	
3 ft.	36 in.	\$126	\$178	\$230	\$283	\$335	\$387	\$439	\$492	\$544	
4 ft.	48 in.	\$134	\$195	\$256	\$317	\$378	\$438	\$499	\$560	\$621	
5 ft.	60 in.	\$143	\$212	\$282	\$351	\$420	\$490	\$559	\$628	\$698	
6 ft.	72 in.	\$151	\$229	\$307	\$385	\$463	\$541	\$619	\$697	\$775	
7 ft.	84 in.	\$160	\$246	\$333	\$419	\$506	\$592	\$679	\$765	\$852	
8 ft.	96 in.	\$169	\$264	\$359	\$454	\$549	\$644	\$739	\$834	\$929	
9 ft.	108 in.	\$177	\$281	\$384	\$488	\$591	\$695	\$799	\$902	\$1,006	
10 ft.	120 in.	\$186	\$298	\$410	\$522	\$634	\$746	\$858	\$971	\$1,083	
11 ft.	132 in.	\$194	\$315	\$436	\$556	\$677	\$798	\$918	\$1,039	\$1,160	
12 ft.	144 in.	\$203	\$332	\$461	\$591	\$720	\$849	\$978	\$1,107	\$1,237	

Surcharges

Feet	1 ft.	2 ft.	3 ft.	4 ft.	5 ft.	6 ft.	7 ft.	8 ft.	9 ft.
Inches	12 in.	24 in.	36 in.	48 in.	60 in.	72 in.	84 in.	96 in.	108 in.
4 in. Fascia	\$80	\$90	\$100	\$110	\$120	\$130	\$140	\$150	\$160
4 in. Backplate	\$85	\$100	\$115	\$130	\$145	\$160	\$175	\$190	\$205
4 in. Fascia & Backplate	\$95	\$120	\$145	\$170	\$195	\$220	\$245	\$270	\$295
Cassette	\$30	\$45	\$60	\$85	\$100	\$115	\$130	\$145	\$160
Sill Channel	\$15	\$30	\$45	\$60	\$75	\$90	\$105	\$120	\$135
Sill Angle	\$8	\$16	\$24	\$32	\$40	\$48	\$56	\$64	\$72
Shade Pocket	\$100	\$125	\$150	\$175	\$200	\$225	\$250	\$275	\$300
Pocket Hanger	\$10	\$20	\$30	\$40	\$50	\$60	\$70	\$80	\$90
Pocket Closure	\$15	\$30	\$45	\$60	\$75	\$90	\$105	\$120	\$135
External Hembar	\$0	\$0	\$0	\$0	\$0	\$0	\$0	\$0	\$0
Hanging Valance	\$30	\$60	\$90	\$120	\$150	\$180	\$210	\$240	\$270

Note: Cassette can come with or without fabric wrap.
 Note: Hanging valances are not available with returns.

Product Options and Surcharges

Motor Options

BTX 110V AC 45QE RF (101.8803)	\$500
BTX 45QE-RF Li-ion (101.5503)	\$525
BTX 24V DC RF (101.9215)	\$675
BTX 24V DC 2-Wire (101.9220)	\$485
Somfy ST40 Quiet RTS (101.9565)	\$1,125
Somfy ST50 Quiet RTS (101.9542)	\$965
Somfy ST50 ULTRA AC RTS (101.9543)	\$1,075
Somfy ST50 ULTRA DC RTS (101.9551)	\$1,200
Rollese Q3.0 Li-ion Rechargeable Battery	\$950
Rollese Q3.0 Plug-in	\$1,200

Control Options

BTX Controls	
BTX Handsender 1 or 6-Channel White	\$125
BTX Wireless Wallswitch (2-Ch or 5-Ch)	\$150
BTX SmartConnect RS-232 Interface	\$350
BTX Li-ion Recharger	\$50
Somfy Controls	
Somfy Situo RTS 1-Channel White	\$175
Somfy Situo RTS 5-Channel White	\$250
Somfy Telis RTS 1-Channel Silver or Lounge	\$275
Somfy Telis RTS 5-Channel Silver or Lounge	\$300
Somfy Telis 16-Channel Pure	\$600
Somfy Decoflex 1-Channel Pure	\$350
Somfy Decoflex 5-Channel Pure	\$375
Somfy Battery Tube, 12V, Reloadable	\$75
Somfy MyLink	\$700
Somfy URTSI	\$1,070
Somfy ST-30 Li-ion Recharger	\$40
Somfy Repeater	\$545

Control Options

Rollese Controls	
Rollese Recharger	\$100
Rollese Q2.0/3.0 Power Supply	\$250
Rollese 5-Channel Surface Mount Switch	\$150
Rollese 15-Channel Cut-in Switch	\$150
Rollese 1-Channel Cut-in Switch	\$150
Rollese Handsender Push 5-Channel Matte Black	\$200
Rollese Handsender Push 5-Channel Gloss White	\$200
Rollese Handsender 15-Channel White	\$170
Rollese Handsender 1-Channel White	\$15
Rollese Automate Pulse Hub 2.0	\$650
Rollese Repeater	\$250
Misc. Controls	
Extended Power Lead	\$30/foot
12V or 24V Power Supply Box	\$90 per motor

Hardware Options

Side Channel (Both Sides)	\$30/foot
Coulisse Absolute 2.0 Bracket System Upgrade	\$100

Fabric List *(See fabric index page 31-32 for Fabric Grid listing)*



Sorina® M Shades

Price Grid 5

Sorina M Manual Retail Pricing

HEIGHT		WIDTH								
		1ft.	2 ft.	3 ft.	4 ft.	5 ft.	6 ft.	7 ft.	8 ft.	9 ft.
Feet	Inches	12 in.	24 in.	36 in.	48 in.	60 in.	72 in.	84 in.	96 in.	108 in.
	1 ft.	12 in.	\$113	\$152	\$192	\$231	\$271	\$310	\$349	\$389
2 ft.	24 in.	\$123	\$173	\$223	\$272	\$322	\$372	\$421	\$471	\$521
3 ft.	36 in.	\$133	\$193	\$253	\$313	\$373	\$433	\$493	\$553	\$613
4 ft.	48 in.	\$144	\$214	\$284	\$354	\$425	\$495	\$565	\$635	\$705
5 ft.	60 in.	\$154	\$235	\$315	\$395	\$476	\$556	\$637	\$717	\$798
6 ft.	72 in.	\$164	\$255	\$346	\$437	\$527	\$618	\$709	\$800	\$890
7 ft.	84 in.	\$175	\$276	\$377	\$478	\$579	\$680	\$781	\$882	\$983
8 ft.	96 in.	\$185	\$296	\$407	\$519	\$630	\$741	\$852	\$964	\$1,075
9 ft.	108 in.	\$195	\$317	\$438	\$560	\$681	\$803	\$924	\$1,046	\$1,167
10 ft.	120 in.	\$205	\$337	\$469	\$601	\$733	\$864	\$996	\$1,128	\$1,260
11 ft.	132 in.	\$216	\$358	\$500	\$642	\$784	\$926	\$1,068	\$1,210	\$1,352
12 ft.	144 in.	\$226	\$378	\$531	\$683	\$835	\$988	\$1,140	\$1,292	\$1,445

Surcharges

Feet	1 ft.	2 ft.	3 ft.	4 ft.	5 ft.	6 ft.	7 ft.	8 ft.	9 ft.
Inches	12 in.	24 in.	36 in.	48 in.	60 in.	72 in.	84 in.	96 in.	108 in.
4 in. Fascia	\$80	\$90	\$100	\$110	\$120	\$130	\$140	\$150	\$160
4 in. Backplate	\$85	\$100	\$115	\$130	\$145	\$160	\$175	\$190	\$205
4 in. Fascia & Backplate	\$95	\$120	\$145	\$170	\$195	\$220	\$245	\$270	\$295
Cassette	\$30	\$45	\$60	\$85	\$100	\$115	\$130	\$145	\$160
Sill Channel	\$15	\$30	\$45	\$60	\$75	\$90	\$105	\$120	\$135
Sill Angle	\$8	\$16	\$24	\$32	\$40	\$48	\$56	\$64	\$72
Shade Pocket	\$100	\$125	\$150	\$175	\$200	\$225	\$250	\$275	\$300
Pocket Hanger	\$10	\$20	\$30	\$40	\$50	\$60	\$70	\$80	\$90
Pocket Closure	\$15	\$30	\$45	\$60	\$75	\$90	\$105	\$120	\$135
External Hembar	\$0	\$0	\$0	\$0	\$0	\$0	\$0	\$0	\$0
Hanging Valance	\$30	\$60	\$90	\$120	\$150	\$180	\$210	\$240	\$270

Note: Cassette can come with or without fabric wrap.
 Note: Hanging valances are not available with returns.

Product Options and Surcharges

Motor Options

BTX 110V AC 45QE RF (101.8803)	\$500
BTX 45QE-RF Li-ion (101.5503)	\$525
BTX 24V DC RF (101.9215)	\$675
BTX 24V DC 2-Wire (101.9220)	\$485
Somfy ST40 Quiet RTS (101.9565)	\$1,125
Somfy ST50 Quiet RTS (101.9542)	\$965
Somfy ST50 ULTRA AC RTS (101.9543)	\$1,075
Somfy ST50 ULTRA DC RTS (101.9551)	\$1,200
Rollease Q3.0 Li-ion Rechargeable Battery	\$950
Rollease Q3.0 Plug-in	\$1,200

Control Options

BTX Controls	
BTX Handsender 1 or 6-Channel White	\$125
BTX Wireless Wallswitch (2-Ch or 5-Ch)	\$150
BTX SmartConnect RS-232 Interface	\$350
BTX Li-ion Recharger	\$50
Somfy Controls	
Somfy Situo RTS 1-Channel White	\$175
Somfy Situo RTS 5-Channel White	\$250
Somfy Telis RTS 1-Channel Silver or Lounge	\$275
Somfy Telis RTS 5-Channel Silver or Lounge	\$300
Somfy Telis 16-Channel Pure	\$600
Somfy Decoflex 1-Channel Pure	\$350
Somfy Decoflex 5-Channel Pure	\$375
Somfy Battery Tube, 12V, Reloadable	\$75
Somfy MyLink	\$700
Somfy URTSI	\$1,070
Somfy ST-30 Li-ion Recharger	\$40
Somfy Repeater	\$545

Control Options

Rollease Controls	
Rollease Recharger	\$100
Rollease Q2.0/3.0 Power Supply	\$250
Rollease 5-Channel Surface Mount Switch	\$150
Rollease 15-Channel Cut-in Switch	\$150
Rollease 1-Channel Cut-in Switch	\$150
Rollease Handsender Push 5-Channel Matte Black	\$200
Rollease Handsender Push 5-Channel Gloss White	\$200
Rollease Handsender 15-Channel White	\$170
Rollease Handsender 1-Channel White	\$15
Rollease Automate Pulse Hub 2.0	\$650
Rollease Repeater	\$250
Misc. Controls	
Extended Power Lead	\$30/foot
12V or 24V Power Supply Box	\$90 per motor

Hardware Options

Side Channel (Both Sides)	\$30/foot
Coulisse Absolute 2.0 Bracket System Upgrade	\$100

Fabric List *(See fabric index page 31-32 for Fabric Grid listing)*



Sorina M Manual Retail Pricing

HEIGHT		WIDTH								
		1ft.	2 ft.	3 ft.	4 ft.	5 ft.	6 ft.	7 ft.	8 ft.	9 ft.
Feet	Inches	12 in.	24 in.	36 in.	48 in.	60 in.	72 in.	84 in.	96 in.	108 in.
1 ft.	12 in.	\$122	\$169	\$217	\$265	\$313	\$361	\$409	\$457	\$505
2 ft.	24 in.	\$135	\$197	\$259	\$320	\$382	\$443	\$505	\$567	\$628
3 ft.	36 in.	\$149	\$224	\$300	\$375	\$450	\$526	\$601	\$676	\$752
4 ft.	48 in.	\$163	\$252	\$341	\$430	\$519	\$608	\$697	\$786	\$875
5 ft.	60 in.	\$176	\$279	\$382	\$484	\$587	\$690	\$793	\$895	\$998
6 ft.	72 in.	\$190	\$306	\$423	\$539	\$656	\$772	\$888	\$1,005	\$1,121
7 ft.	84 in.	\$204	\$334	\$464	\$594	\$724	\$854	\$984	\$1,114	\$1,244
8 ft.	96 in.	\$217	\$361	\$505	\$649	\$792	\$936	\$1,080	\$1,224	\$1,368
9 ft.	108 in.	\$231	\$388	\$546	\$703	\$861	\$1,018	\$1,176	\$1,333	\$1,491
10 ft.	120 in.	\$245	\$416	\$587	\$758	\$929	\$1,101	\$1,272	\$1,443	\$1,614
11 ft.	132 in.	\$258	\$443	\$628	\$813	\$998	\$1,183	\$1,368	\$1,552	\$1,737
12 ft.	144 in.	\$272	\$471	\$669	\$868	\$1,066	\$1,265	\$1,463	\$1,662	\$1,860

Surcharges

Feet	1 ft.	2 ft.	3 ft.	4 ft.	5 ft.	6 ft.	7 ft.	8 ft.	9 ft.
Inches	12 in.	24 in.	36 in.	48 in.	60 in.	72 in.	84 in.	96 in.	108 in.
4 in. Fascia	\$80	\$90	\$100	\$110	\$120	\$130	\$140	\$150	\$160
4 in. Backplate	\$85	\$100	\$115	\$130	\$145	\$160	\$175	\$190	\$205
4 in. Fascia & Backplate	\$95	\$120	\$145	\$170	\$195	\$220	\$245	\$270	\$295
Cassette	\$30	\$45	\$60	\$85	\$100	\$115	\$130	\$145	\$160
Sill Channel	\$15	\$30	\$45	\$60	\$75	\$90	\$105	\$120	\$135
Sill Angle	\$8	\$16	\$24	\$32	\$40	\$48	\$56	\$64	\$72
Shade Pocket	\$100	\$125	\$150	\$175	\$200	\$225	\$250	\$275	\$300
Pocket Hanger	\$10	\$20	\$30	\$40	\$50	\$60	\$70	\$80	\$90
Pocket Closure	\$15	\$30	\$45	\$60	\$75	\$90	\$105	\$120	\$135
External Hembar	\$0	\$0	\$0	\$0	\$0	\$0	\$0	\$0	\$0
Hanging Valance	\$30	\$60	\$90	\$120	\$150	\$180	\$210	\$240	\$270

Note: Cassette can come with or without fabric wrap.
 Note: Hanging valances are not available with returns.

Product Options and Surcharges

Motor Options BTX 110V AC 45QE RF (101.8803) \$500 BTX 45QE-RF Li-ion (101.5503)..... \$525 BTX 24V DC RF (101.9215)..... \$675 BTX 24V DC 2-Wire (101.9220) \$485 Somfy ST40 Quiet RTS (101.9565)..... \$1,125 Somfy ST50 Quiet RTS (101.9542)..... \$965 Somfy ST50 ULTRA AC RTS (101.9543)..... \$1,075 Somfy ST50 ULTRA DC RTS (101.9551)..... \$1,200 Rollease Q3.0 Li-ion Rechargeable Battery..... \$950 Rollease Q3.0 Plug-in \$1,200	Control Options BTX Controls BTX Handsender 1 or 6-Channel White \$125 BTX Wireless Wallswitch (2-Ch or 5-Ch)..... \$150 BTX SmartConnect RS-232 Interface \$350 BTX Li-ion Recharger..... \$50 Somfy Controls Somfy Situo RTS 1-Channel White..... \$175 Somfy Situo RTS 5-Channel White..... \$250 Somfy Telis RTS 1-Channel Silver or Lounge..... \$275 Somfy Telis RTS 5-Channel Silver or Lounge..... \$300 Somfy Telis 16-Channel Pure \$600 Somfy Decoflex 1-Channel Pure \$350 Somfy Decoflex 5-Channel Pure \$375 Somfy Battery Tube, 12V, Reloadable \$75 Somfy MyLink \$700 Somfy URTSI..... \$1,070 Somfy ST-30 Li-ion Recharger..... \$40 Somfy Repeater..... \$545	Control Options Rollease Controls Rollease Recharger..... \$100 Rollease Q2.0/3.0 Power Supply..... \$250 Rollease 5-Channel Surface Mount Switch \$150 Rollease 15-Channel Cut-in Switch \$150 Rollease 1-Channel Cut-in Switch \$150 Rollease Handsender Push 5-Channel Matte Black \$200 Rollease Handsender Push 5-Channel Gloss White..... \$200 Rollease Handsender 15-Channel White..... \$170 Rollease Handsender 1-Channel White..... \$15 Rollease Automate Pulse Hub 2.0 \$650 Rollease Repeater \$250 Misc. Controls Extended Power Lead \$30/foot 12V or 24V Power Supply Box \$90 per motor Hardware Options Side Channel (Both Sides) \$30/foot Coulisse Absolute 2.0 Bracket System Upgrade \$100
--	---	---

Fabric List *(See fabric index page 31-32 for Fabric Grid listing)*



Sorina® M Shades

Price Grid 7

Sorina M Manual Retail Pricing

HEIGHT		WIDTH								
		1ft.	2 ft.	3 ft.	4 ft.	5 ft.	6 ft.	7 ft.	8 ft.	9 ft.
Feet	Inches	12 in.	24 in.	36 in.	48 in.	60 in.	72 in.	84 in.	96 in.	108 in.
1 ft.	12 in.	\$130	\$187	\$243	\$300	\$356	\$413	\$469	\$526	\$582
2 ft.	24 in.	\$147	\$221	\$294	\$368	\$442	\$515	\$589	\$663	\$736
3 ft.	36 in.	\$164	\$255	\$346	\$437	\$527	\$618	\$709	\$800	\$890
4 ft.	48 in.	\$181	\$289	\$397	\$505	\$613	\$721	\$829	\$936	\$1,044
5 ft.	60 in.	\$199	\$323	\$448	\$573	\$698	\$823	\$948	\$1,073	\$1,198
6 ft.	72 in.	\$216	\$358	\$500	\$642	\$784	\$926	\$1,068	\$1,210	\$1,352
7 ft.	84 in.	\$233	\$392	\$551	\$710	\$869	\$1,029	\$1,188	\$1,347	\$1,506
8 ft.	96 in.	\$250	\$426	\$602	\$779	\$955	\$1,131	\$1,308	\$1,484	\$1,660
9 ft.	108 in.	\$267	\$460	\$654	\$847	\$1,041	\$1,234	\$1,427	\$1,621	\$1,814
10 ft.	120 in.	\$284	\$495	\$705	\$916	\$1,126	\$1,337	\$1,547	\$1,758	\$1,968
11 ft.	132 in.	\$301	\$529	\$756	\$984	\$1,212	\$1,439	\$1,667	\$1,895	\$2,122
12 ft.	144 in.	\$318	\$563	\$808	\$1,052	\$1,297	\$1,542	\$1,787	\$2,031	\$2,276

Surcharges

Feet	1 ft.	2 ft.	3 ft.	4 ft.	5 ft.	6 ft.	7 ft.	8 ft.	9 ft.
Inches	12 in.	24 in.	36 in.	48 in.	60 in.	72 in.	84 in.	96 in.	108 in.
4 in. Fascia	\$80	\$90	\$100	\$110	\$120	\$130	\$140	\$150	\$160
4 in. Backplate	\$85	\$100	\$115	\$130	\$145	\$160	\$175	\$190	\$205
4 in. Fascia & Backplate	\$95	\$120	\$145	\$170	\$195	\$220	\$245	\$270	\$295
Cassette	\$30	\$45	\$60	\$85	\$100	\$115	\$130	\$145	\$160
Sill Channel	\$15	\$30	\$45	\$60	\$75	\$90	\$105	\$120	\$135
Sill Angle	\$8	\$16	\$24	\$32	\$40	\$48	\$56	\$64	\$72
Shade Pocket	\$100	\$125	\$150	\$175	\$200	\$225	\$250	\$275	\$300
Pocket Hanger	\$10	\$20	\$30	\$40	\$50	\$60	\$70	\$80	\$90
Pocket Closure	\$15	\$30	\$45	\$60	\$75	\$90	\$105	\$120	\$135
External Hembar	\$0	\$0	\$0	\$0	\$0	\$0	\$0	\$0	\$0
Hanging Valance	\$30	\$60	\$90	\$120	\$150	\$180	\$210	\$240	\$270

Note: Cassette can come with or without fabric wrap.
 Note: Hanging valances are not available with returns.

Product Options and Surcharges

Motor Options BTX 110V AC 45QE RF (101.8803) \$500 BTX 45QE-RF Li-ion (101.5503)..... \$525 BTX 24V DC RF (101.9215)..... \$675 BTX 24V DC 2-Wire (101.9220)..... \$485 Somfy ST40 Quiet RTS (101.9565)..... \$1,125 Somfy ST50 Quiet RTS (101.9542)..... \$965 Somfy ST50 ULTRA AC RTS (101.9543)..... \$1,075 Somfy ST50 ULTRA DC RTS (101.9551)..... \$1,200 Rollease Q3.0 Li-ion Rechargeable Battery..... \$950 Rollease Q3.0 Plug-in \$1,200	Control Options BTX Controls BTX Handsender 1 or 6-Channel White \$125 BTX Wireless Wallswitch (2-Ch or 5-Ch)..... \$150 BTX SmartConnect RS-232 Interface \$350 BTX Li-ion Recharger..... \$50 Somfy Controls Somfy Situo RTS 1-Channel White..... \$175 Somfy Situo RTS 5-Channel White..... \$250 Somfy Telis RTS 1-Channel Silver or Lounge..... \$275 Somfy Telis RTS 5-Channel Silver or Lounge..... \$300 Somfy Telis 16-Channel Pure \$600 Somfy Decoflex 1-Channel Pure \$350 Somfy Decoflex 5-Channel Pure \$375 Somfy Battery Tube, 12V, Reloadable \$75 Somfy MyLink \$700 Somfy URTSI \$1,070 Somfy ST-30 Li-ion Recharger..... \$40 Somfy Repeater..... \$545	Control Options Rollease Controls Rollease Recharger..... \$100 Rollease Q2.0/3.0 Power Supply..... \$250 Rollease 5-Channel Surface Mount Switch \$150 Rollease 15-Channel Cut-in Switch \$150 Rollease 1-Channel Cut-in Switch \$150 Rollease Handsender Push 5-Channel Matte Black \$200 Rollease Handsender Push 5-Channel Gloss White..... \$200 Rollease Handsender 15-Channel White..... \$170 Rollease Handsender 1-Channel White..... \$15 Rollease Automate Pulse Hub 2.0 \$650 Rollease Repeater \$250 Misc. Controls Extended Power Lead \$30/foot 12V or 24V Power Supply Box \$90 per motor Hardware Options Side Channel (Both Sides) \$30/foot Coulisse Absolute 2.0 Bracket System Upgrade \$100
---	--	---

Fabric List *(See fabric index page 31-32 for Fabric Grid listing)*



Sorina L systems feature a large 2.5 in. tube and hardware configuration for both manual and motorized shading systems. The larger hardware setup allows for wider and heavier systems. L-class systems are made available with all the same motor options found in the M-class section, but shades can be specified for bigger applications. If you have requirements outside of the range published here, please contact the factory to explore additional options.



L Class (Large) Manual Roller Shade System

- Max size: 13 ft. by 17 ft. (depending on fabric weight)
- 2.5 in. tube and bracket system
- 4 in. fascia options (depending on roll diameter)



L Class (Large) Motorized Roller Shade System

- AC, DC, and Battery Motorized system options
- Max size: 13 ft. by 17 ft. (depending on fabric weight)
- Max lifting capacity determined by motor (see page 41)
- 2.5 in. tube and bracket system
- 4 in. fascia options (depending on roll diameter)

What comes with the standard grid price?

Your BTX Intelligent Fashion Sorina L Roller Shade System comes with

- Fully fabricated manual Roller Shade system, built to your exact specifications
- Stainless Steel bead chain
- 2 in. hook mounting clutch and bracket system
- Fabric listed for the selected grid
- Sealed internal bottom bar (Depending on fabric. Some fabrics cannot use sealed bottom bar)

Important information regarding this system

- Motorized systems are available as an upcharge. (See product options and surcharges at the bottom of each pricing page).
- Control devices for motorized systems are sold separately! Please specify whether you want a handsender, wall switch, or other control method.
- Additional peripherals may be required based on your control scenario
- Please be prepared to answer the following questions about your system:
 - Clutch or Motor Side (left or right)
 - Roll direction (standard front roll or reverse roll)
 - Hardware color (white, vanilla, silver, or bronze)
 - How would you like the systems programmed, if motorized (we do program and test everything before shipping!)
 - Do you need any additional accessories like fascia, side channel, etc. for an upcharge.
- Railroading may be necessary based on size.
- Not all fabrics can be railroaded.
- If you require a larger size, you may need to move up to a Sorina XL class shade.
- Contact the factory for coupled shades.
- If you have a preference on packaging method (box or crate), please specify, otherwise we will select the safest and most economical method.

Contact factory for coupled systems.



Sorina L Manual Retail Pricing

Feet		WIDTH													
		1ft.	2 ft.	3 ft.	4 ft.	5 ft.	6 ft.	7 ft.	8 ft.	9 ft.	10 ft.	11 ft.	12 ft.	13 ft.	
HEIGHT	Inches	12 in.	24 in.	36 in.	48 in.	60 in.	72 in.	84 in.	96 in.	108 in.	120 in.	132 in.	144 in.	156 in.	
	1 ft.	12 in.	\$129	\$156	\$183	\$210	\$237	\$264	\$290	\$317	\$344	\$371	\$398	\$425	\$451
	2 ft.	24 in.	\$133	\$163	\$193	\$224	\$254	\$284	\$314	\$345	\$375	\$405	\$435	\$466	\$496
	3 ft.	36 in.	\$136	\$170	\$204	\$237	\$271	\$305	\$338	\$372	\$406	\$439	\$473	\$507	\$540
	4 ft.	48 in.	\$140	\$177	\$214	\$251	\$288	\$325	\$362	\$399	\$436	\$474	\$511	\$548	\$585
	5 ft.	60 in.	\$143	\$184	\$224	\$265	\$305	\$346	\$386	\$427	\$467	\$508	\$548	\$589	\$629
	6 ft.	72 in.	\$147	\$190	\$234	\$278	\$322	\$366	\$410	\$454	\$498	\$542	\$586	\$630	\$674
	7 ft.	84 in.	\$150	\$197	\$245	\$292	\$339	\$387	\$434	\$481	\$529	\$576	\$624	\$671	\$718
	8 ft.	96 in.	\$153	\$204	\$255	\$306	\$356	\$407	\$458	\$509	\$560	\$610	\$661	\$712	\$763
	9 ft.	108 in.	\$157	\$211	\$265	\$319	\$374	\$428	\$482	\$536	\$590	\$645	\$699	\$753	\$807
	10 ft.	120 in.	\$160	\$218	\$275	\$333	\$391	\$448	\$506	\$564	\$621	\$679	\$736	\$794	\$852
	11 ft.	132 in.	\$164	\$225	\$286	\$347	\$408	\$469	\$530	\$591	\$652	\$713	\$774	\$835	\$896
	12 ft.	144 in.	\$167	\$232	\$296	\$360	\$425	\$489	\$554	\$618	\$683	\$747	\$812	\$876	\$941
	13 ft.	156 in.	\$170	\$238	\$306	\$374	\$442	\$510	\$578	\$646	\$714	\$781	\$849	\$917	\$985
	14 ft.	168 in.	\$174	\$245	\$317	\$388	\$459	\$530	\$602	\$673	\$744	\$816	\$887	\$958	\$1,030
	15 ft.	180 in.	\$177	\$252	\$327	\$402	\$476	\$551	\$626	\$700	\$775	\$850	\$925	\$999	\$1,074
	16 ft.	192 in.	\$181	\$259	\$337	\$415	\$493	\$572	\$650	\$728	\$806	\$884	\$962	\$1,040	\$1,119
17 ft.	204 in.	\$184	\$266	\$347	\$429	\$510	\$592	\$674	\$755	\$837	\$918	\$1,000	\$1,082	\$1,163	

Surcharges

Feet	1 ft.	2 ft.	3 ft.	4 ft.	5 ft.	6 ft.	7 ft.	8 ft.	9 ft.
Inches	12 in.	24 in.	36 in.	48 in.	60 in.	72 in.	84 in.	96 in.	108 in.
4 in. Fascia	\$80	\$90	\$100	\$110	\$120	\$130	\$140	\$150	\$160
4 in. Backplate	\$85	\$100	\$115	\$130	\$145	\$160	\$175	\$190	\$205
4 in. Fascia & Backplate	\$95	\$120	\$145	\$170	\$195	\$220	\$245	\$270	\$295
Cassette	\$30	\$45	\$60	\$85	\$100	\$115	\$130	\$145	\$160
Sill Channel	\$15	\$30	\$45	\$60	\$75	\$90	\$105	\$120	\$135
Sill Angle	\$8	\$16	\$24	\$32	\$40	\$48	\$56	\$64	\$72
Shade Pocket	\$100	\$125	\$150	\$175	\$200	\$225	\$250	\$275	\$300
Pocket Hanger	\$10	\$20	\$30	\$40	\$50	\$60	\$70	\$80	\$90
Pocket Closure	\$15	\$30	\$45	\$60	\$75	\$90	\$105	\$120	\$135
External Hembar	\$0	\$0	\$0	\$0	\$0	\$0	\$0	\$0	\$0
Hanging Valance	\$30	\$60	\$90	\$120	\$150	\$180	\$210	\$240	\$270

Note: Cassette can come with or without fabric wrap.
 Note: Hanging valances are not available with returns.

Product Options and Surcharges

Motor Options

BTX 110V AC 45QE RF (101.8803)	\$500
BTX 45QE-RF Li-ion (101.5503)	\$525
BTX 24V DC RF (101.9215)	\$675
BTX 24V DC 2-Wire (101.9220)	\$485
Somfy ST50 Quiet RTS (101.9542)	\$965
Somfy ST50 ULTRA AC RTS (101.9543)	\$1,075
Somfy ST50 ULTRA DC RTS (101.9551)	\$1,200
Rollease Q3.0 Li-ion Rechargeable Battery	\$950
Rollease Q3.0 Plug-in	\$1,200

Control Options

BTX Controls	
BTX Handsender 1 or 6-Channel White	\$125
BTX Wireless Wallswitch (2-Ch or 5-Ch)	\$150
BTX SmartConnect RS-232 Interface	\$350
BTX Li-ion Recharger	\$50
Somfy Controls	
Somfy Situo RTS 1-Channel White	\$175
Somfy Situo RTS 5-Channel White	\$250
Somfy Telis RTS 1-Channel Silver or Lounge	\$275
Somfy Telis RTS 5-Channel Silver or Lounge	\$300
Somfy Telis 16-Channel Pure	\$600
Somfy Decoflex 1-Channel Pure	\$350
Somfy Decoflex 5-Channel Pure	\$375
Somfy Battery Tube, 12V, Reloadable	\$75
Somfy MyLink	\$700
Somfy URTSI	\$1,070
Somfy ST-30 Li-ion Recharger	\$40
Somfy Repeater	\$545

Control Options

Rollease Controls	
Rollease Recharger	\$100
Rollease Q2.0/3.0 Power Supply	\$250
Rollease 5-Channel Surface Mount Switch	\$150
Rollease 15-Channel Cut-in Switch	\$150
Rollease 1-Channel Cut-in Switch	\$150
Rollease Handsender Push 5-Channel Matte Black	\$200
Rollease Handsender Push 5-Channel Gloss White	\$200
Rollease Handsender 15-Channel White	\$170
Rollease Handsender 1-Channel White	\$15
Rollease Automate Pulse Hub 2.0	\$650
Rollease Repeater	\$250
Misc. Controls	
Extended Power Lead	\$30/foot
12V or 24V Power Supply Box	\$90 per motor
Hardware Options	
Side Channel (Both Sides)	\$30/foot

Fabric List *(See fabric index page 31-32 for Fabric Grid listing)*



Sorina L Manual Retail Pricing

Feet		WIDTH													
		1ft.	2 ft.	3 ft.	4 ft.	5 ft.	6 ft.	7 ft.	8 ft.	9 ft.	10 ft.	11 ft.	12 ft.	13 ft.	
HEIGHT	Inches	12 in.	24 in.	36 in.	48 in.	60 in.	72 in.	84 in.	96 in.	108 in.	120 in.	132 in.	144 in.	156 in.	
	1 ft.	12 in.	\$134	\$165	\$196	\$227	\$258	\$289	\$320	\$351	\$383	\$414	\$445	\$476	\$507
	2 ft.	24 in.	\$139	\$175	\$211	\$248	\$284	\$320	\$356	\$392	\$429	\$465	\$501	\$537	\$574
	3 ft.	36 in.	\$144	\$185	\$227	\$268	\$309	\$351	\$392	\$434	\$475	\$516	\$558	\$599	\$640
	4 ft.	48 in.	\$149	\$196	\$242	\$289	\$335	\$382	\$428	\$475	\$521	\$568	\$614	\$661	\$707
	5 ft.	60 in.	\$154	\$206	\$258	\$309	\$361	\$412	\$464	\$516	\$567	\$619	\$671	\$722	\$774
	6 ft.	72 in.	\$159	\$216	\$273	\$330	\$386	\$443	\$500	\$557	\$614	\$670	\$727	\$784	\$841
	7 ft.	84 in.	\$165	\$226	\$288	\$350	\$412	\$474	\$536	\$598	\$660	\$722	\$784	\$845	\$907
	8 ft.	96 in.	\$170	\$237	\$304	\$371	\$438	\$505	\$572	\$639	\$706	\$773	\$840	\$907	\$974
	9 ft.	108 in.	\$175	\$247	\$319	\$391	\$463	\$536	\$608	\$680	\$752	\$824	\$896	\$969	\$1,041
	10 ft.	120 in.	\$180	\$257	\$335	\$412	\$489	\$566	\$644	\$721	\$798	\$876	\$953	\$1,030	\$1,107
	11 ft.	132 in.	\$185	\$267	\$350	\$432	\$515	\$597	\$680	\$762	\$844	\$927	\$1,009	\$1,092	\$1,174
	12 ft.	144 in.	\$190	\$278	\$365	\$453	\$540	\$628	\$716	\$803	\$891	\$978	\$1,066	\$1,153	\$1,241
	13 ft.	156 in.	\$195	\$288	\$381	\$473	\$566	\$659	\$751	\$844	\$937	\$1,030	\$1,122	\$1,215	\$1,308
	14 ft.	168 in.	\$200	\$298	\$396	\$494	\$592	\$690	\$787	\$885	\$983	\$1,081	\$1,179	\$1,277	\$1,374
	15 ft.	180 in.	\$206	\$309	\$411	\$514	\$617	\$720	\$823	\$926	\$1,029	\$1,132	\$1,235	\$1,338	\$1,441
	16 ft.	192 in.	\$211	\$319	\$427	\$535	\$643	\$751	\$859	\$967	\$1,075	\$1,184	\$1,292	\$1,400	\$1,508
17 ft.	204 in.	\$216	\$329	\$442	\$556	\$669	\$782	\$895	\$1,008	\$1,122	\$1,235	\$1,348	\$1,461	\$1,575	

Surcharges

Feet	1 ft.	2 ft.	3 ft.	4 ft.	5 ft.	6 ft.	7 ft.	8 ft.	9 ft.
Inches	12 in.	24 in.	36 in.	48 in.	60 in.	72 in.	84 in.	96 in.	108 in.
4 in. Fascia	\$80	\$90	\$100	\$110	\$120	\$130	\$140	\$150	\$160
4 in. Backplate	\$85	\$100	\$115	\$130	\$145	\$160	\$175	\$190	\$205
4 in. Fascia & Backplate	\$95	\$120	\$145	\$170	\$195	\$220	\$245	\$270	\$295
Cassette	\$30	\$45	\$60	\$85	\$100	\$115	\$130	\$145	\$160
Sill Channel	\$15	\$30	\$45	\$60	\$75	\$90	\$105	\$120	\$135
Sill Angle	\$8	\$16	\$24	\$32	\$40	\$48	\$56	\$64	\$72
Shade Pocket	\$100	\$125	\$150	\$175	\$200	\$225	\$250	\$275	\$300
Pocket Hanger	\$10	\$20	\$30	\$40	\$50	\$60	\$70	\$80	\$90
Pocket Closure	\$15	\$30	\$45	\$60	\$75	\$90	\$105	\$120	\$135
External Hembar	\$0	\$0	\$0	\$0	\$0	\$0	\$0	\$0	\$0
Hanging Valance	\$30	\$60	\$90	\$120	\$150	\$180	\$210	\$240	\$270

Note: Cassette can come with or without fabric wrap.

Note: Hanging valances are not available with returns.

Product Options and Surcharges

Motor Options

BTX 110V AC 45QE RF (101.8803)	\$500
BTX 45QE-RF Li-ion (101.5503)	\$525
BTX 24V DC RF (101.9215)	\$675
BTX 24V DC 2-Wire (101.9220)	\$485
Somfy ST50 Quiet RTS (101.9542)	\$965
Somfy ST50 ULTRA AC RTS (101.9543)	\$1,075
Somfy ST50 ULTRA DC RTS (101.9551)	\$1,200
Rollease Q3.0 Li-ion Rechargeable Battery	\$950
Rollease Q3.0 Plug-in	\$1,200

Control Options

BTX Controls	
BTX Handsender 1 or 6-Channel White	\$125
BTX Wireless Wallswitch (2-Ch or 5-Ch)	\$150
BTX SmartConnect RS-232 Interface	\$350
BTX Li-ion Recharger	\$50
Somfy Controls	
Somfy Situo RTS 1-Channel White	\$175
Somfy Situo RTS 5-Channel White	\$250
Somfy Telis RTS 1-Channel Silver or Lounge	\$275
Somfy Telis RTS 5-Channel Silver or Lounge	\$300
Somfy Telis 16-Channel Pure	\$600
Somfy Decoflex 1-Channel Pure	\$350
Somfy Decoflex 5-Channel Pure	\$375
Somfy Battery Tube, 12V, Reloadable	\$75
Somfy MyLink	\$700
Somfy URTSI	\$1,070
Somfy ST-30 Li-ion Recharger	\$40
Somfy Repeater	\$545

Control Options

Rollease Controls	
Rollease Recharger	\$100
Rollease Q2.0/3.0 Power Supply	\$250
Rollease 5-Channel Surface Mount Switch	\$150
Rollease 15-Channel Cut-in Switch	\$150
Rollease 1-Channel Cut-in Switch	\$150
Rollease Handsender Push 5-Channel Matte Black	\$200
Rollease Handsender Push 5-Channel Gloss White	\$200
Rollease Handsender 15-Channel White	\$170
Rollease Handsender 1-Channel White	\$15
Rollease Automate Pulse Hub 2.0	\$650
Rollease Repeater	\$250
Misc. Controls	
Extended Power Lead	\$30/foot
12V or 24V Power Supply Box	\$90 per motor
Hardware Options	
Side Channel (Both Sides)	\$30/foot

Fabric List *(See fabric index page 31-32 for Fabric Grid listing)*



Sorina L Manual Retail Pricing

Feet		WIDTH													
		1ft.	2 ft.	3 ft.	4 ft.	5 ft.	6 ft.	7 ft.	8 ft.	9 ft.	10 ft.	11 ft.	12 ft.	13 ft.	
HEIGHT	Inches	12 in.	24 in.	36 in.	48 in.	60 in.	72 in.	84 in.	96 in.	108 in.	120 in.	132 in.	144 in.	156 in.	
	1 ft.	12 in.	\$138	\$173	\$209	\$244	\$280	\$315	\$350	\$386	\$421	\$456	\$492	\$527	\$563
	2 ft.	24 in.	\$145	\$187	\$229	\$272	\$314	\$356	\$398	\$440	\$483	\$525	\$567	\$609	\$652
	3 ft.	36 in.	\$152	\$201	\$250	\$299	\$348	\$397	\$446	\$495	\$544	\$593	\$642	\$691	\$740
	4 ft.	48 in.	\$159	\$214	\$270	\$326	\$382	\$438	\$494	\$550	\$606	\$662	\$718	\$774	\$829
	5 ft.	60 in.	\$165	\$228	\$291	\$354	\$416	\$479	\$542	\$605	\$667	\$730	\$793	\$856	\$918
	6 ft.	72 in.	\$172	\$242	\$311	\$381	\$451	\$520	\$590	\$659	\$729	\$799	\$868	\$938	\$1,007
	7 ft.	84 in.	\$179	\$255	\$332	\$408	\$485	\$561	\$638	\$714	\$791	\$867	\$943	\$1,020	\$1,096
	8 ft.	96 in.	\$186	\$269	\$352	\$436	\$519	\$602	\$686	\$769	\$852	\$935	\$1,019	\$1,102	\$1,185
	9 ft.	108 in.	\$193	\$283	\$373	\$463	\$553	\$643	\$734	\$824	\$914	\$1,004	\$1,094	\$1,184	\$1,274
	10 ft.	120 in.	\$200	\$297	\$394	\$491	\$587	\$684	\$781	\$878	\$975	\$1,072	\$1,169	\$1,266	\$1,363
	11 ft.	132 in.	\$206	\$310	\$414	\$518	\$622	\$726	\$829	\$933	\$1,037	\$1,141	\$1,245	\$1,348	\$1,452
	12 ft.	144 in.	\$213	\$324	\$435	\$545	\$656	\$767	\$877	\$988	\$1,099	\$1,209	\$1,320	\$1,431	\$1,541
	13 ft.	156 in.	\$220	\$338	\$455	\$573	\$690	\$808	\$925	\$1,043	\$1,160	\$1,278	\$1,395	\$1,513	\$1,630
	14 ft.	168 in.	\$227	\$351	\$476	\$600	\$724	\$849	\$973	\$1,097	\$1,222	\$1,346	\$1,470	\$1,595	\$1,719
	15 ft.	180 in.	\$234	\$365	\$496	\$627	\$759	\$890	\$1,021	\$1,152	\$1,283	\$1,415	\$1,546	\$1,677	\$1,808
	16 ft.	192 in.	\$241	\$379	\$517	\$655	\$793	\$931	\$1,069	\$1,207	\$1,345	\$1,483	\$1,621	\$1,759	\$1,897
17 ft.	204 in.	\$247	\$392	\$537	\$682	\$827	\$972	\$1,117	\$1,262	\$1,407	\$1,551	\$1,696	\$1,841	\$1,986	

Surcharges

Feet	1 ft.	2 ft.	3 ft.	4 ft.	5 ft.	6 ft.	7 ft.	8 ft.	9 ft.
Inches	12 in.	24 in.	36 in.	48 in.	60 in.	72 in.	84 in.	96 in.	108 in.
4 in. Fascia	\$80	\$90	\$100	\$110	\$120	\$130	\$140	\$150	\$160
4 in. Backplate	\$85	\$100	\$115	\$130	\$145	\$160	\$175	\$190	\$205
4 in. Fascia & Backplate	\$95	\$120	\$145	\$170	\$195	\$220	\$245	\$270	\$295
Cassette	\$30	\$45	\$60	\$85	\$100	\$115	\$130	\$145	\$160
Sill Channel	\$15	\$30	\$45	\$60	\$75	\$90	\$105	\$120	\$135
Sill Angle	\$8	\$16	\$24	\$32	\$40	\$48	\$56	\$64	\$72
Shade Pocket	\$100	\$125	\$150	\$175	\$200	\$225	\$250	\$275	\$300
Pocket Hanger	\$10	\$20	\$30	\$40	\$50	\$60	\$70	\$80	\$90
Pocket Closure	\$15	\$30	\$45	\$60	\$75	\$90	\$105	\$120	\$135
External Hembar	\$0	\$0	\$0	\$0	\$0	\$0	\$0	\$0	\$0
Hanging Valance	\$30	\$60	\$90	\$120	\$150	\$180	\$210	\$240	\$270

Note: Cassette can come with or without fabric wrap.
 Note: Hanging valances are not available with returns.

Product Options and Surcharges

Motor Options

BTX 110V AC 45QE RF (101.8803)	\$500
BTX 45QE-RF Li-ion (101.5503)	\$525
BTX 24V DC RF (101.9215)	\$675
BTX 24V DC 2-Wire (101.9220)	\$485
Somfy ST50 Quiet RTS (101.9542)	\$965
Somfy ST50 ULTRA AC RTS (101.9543)	\$1,075
Somfy ST50 ULTRA DC RTS (101.9551)	\$1,200
Rollease Q3.0 Li-ion Rechargeable Battery	\$950
Rollease Q3.0 Plug-in	\$1,200

Control Options

BTX Controls	
BTX Handsender 1 or 6-Channel White	\$125
BTX Wireless Wallswitch (2-Ch or 5-Ch)	\$150
BTX SmartConnect RS-232 Interface	\$350
BTX Li-ion Recharger	\$50
Somfy Controls	
Somfy Situo RTS 1-Channel White	\$175
Somfy Situo RTS 5-Channel White	\$250
Somfy Telis RTS 1-Channel Silver or Lounge	\$275
Somfy Telis RTS 5-Channel Silver or Lounge	\$300
Somfy Telis 16-Channel Pure	\$600
Somfy Decoflex 1-Channel Pure	\$350
Somfy Decoflex 5-Channel Pure	\$375
Somfy Battery Tube, 12V, Reloadable	\$75
Somfy MyLink	\$700
Somfy URTSI	\$1,070
Somfy ST-30 Li-ion Recharger	\$40
Somfy Repeater	\$545

Control Options

Rollease Controls	
Rollease Recharger	\$100
Rollease Q2.0/3.0 Power Supply	\$250
Rollease 5-Channel Surface Mount Switch	\$150
Rollease 15-Channel Cut-in Switch	\$150
Rollease 1-Channel Cut-in Switch	\$150
Rollease Handsender Push 5-Channel Matte Black	\$200
Rollease Handsender Push 5-Channel Gloss White	\$200
Rollease Handsender 15-Channel White	\$170
Rollease Handsender 1-Channel White	\$15
Rollease Automate Pulse Hub 2.0	\$650
Rollease Repeater	\$250
Misc. Controls	
Extended Power Lead	\$30/foot
12V or 24V Power Supply Box	\$90 per motor
Hardware Options	
Side Channel (Both Sides)	\$30/foot

Fabric List *(See fabric index page 31-32 for Fabric Grid listing)*



Sorina L Manual Retail Pricing

Feet		WIDTH												
		1ft.	2 ft.	3 ft.	4 ft.	5 ft.	6 ft.	7 ft.	8 ft.	9 ft.	10 ft.	11 ft.	12 ft.	13 ft.
HEIGHT	Inches	12 in.	24 in.	36 in.	48 in.	60 in.	72 in.	84 in.	96 in.	108 in.	120 in.	132 in.	144 in.	156 in.
	1 ft.	12 in.	\$142	\$182	\$222	\$261	\$301	\$341	\$380	\$420	\$460	\$499	\$539	\$578
2 ft.	24 in.	\$151	\$199	\$247	\$295	\$344	\$392	\$440	\$488	\$537	\$585	\$633	\$681	\$729
3 ft.	36 in.	\$159	\$216	\$273	\$330	\$386	\$443	\$500	\$557	\$614	\$670	\$727	\$784	\$841
4 ft.	48 in.	\$168	\$233	\$299	\$364	\$429	\$495	\$560	\$625	\$691	\$756	\$821	\$886	\$952
5 ft.	60 in.	\$176	\$250	\$324	\$398	\$472	\$546	\$620	\$694	\$768	\$841	\$915	\$989	\$1,063
6 ft.	72 in.	\$185	\$267	\$350	\$432	\$515	\$597	\$680	\$762	\$844	\$927	\$1,009	\$1,092	\$1,174
7 ft.	84 in.	\$194	\$285	\$376	\$467	\$558	\$649	\$740	\$831	\$921	\$1,012	\$1,103	\$1,194	\$1,285
8 ft.	96 in.	\$202	\$302	\$401	\$501	\$600	\$700	\$799	\$899	\$998	\$1,098	\$1,198	\$1,297	\$1,397
9 ft.	108 in.	\$211	\$319	\$427	\$535	\$643	\$751	\$859	\$967	\$1,075	\$1,184	\$1,292	\$1,400	\$1,508
10 ft.	120 in.	\$219	\$336	\$453	\$569	\$686	\$803	\$919	\$1,036	\$1,152	\$1,269	\$1,386	\$1,502	\$1,619
11 ft.	132 in.	\$228	\$353	\$478	\$603	\$729	\$854	\$979	\$1,104	\$1,229	\$1,355	\$1,480	\$1,605	\$1,730
12 ft.	144 in.	\$236	\$370	\$504	\$638	\$771	\$905	\$1,039	\$1,173	\$1,306	\$1,440	\$1,574	\$1,708	\$1,842
13 ft.	156 in.	\$245	\$387	\$530	\$672	\$814	\$957	\$1,099	\$1,241	\$1,383	\$1,526	\$1,668	\$1,810	\$1,953
14 ft.	168 in.	\$253	\$404	\$555	\$706	\$857	\$1,008	\$1,159	\$1,310	\$1,460	\$1,611	\$1,762	\$1,913	\$2,064
15 ft.	180 in.	\$262	\$421	\$581	\$740	\$900	\$1,059	\$1,219	\$1,378	\$1,537	\$1,697	\$1,856	\$2,016	\$2,175
16 ft.	192 in.	\$271	\$439	\$607	\$775	\$943	\$1,111	\$1,278	\$1,446	\$1,614	\$1,782	\$1,950	\$2,118	\$2,286
17 ft.	204 in.	\$279	\$456	\$632	\$809	\$985	\$1,162	\$1,338	\$1,515	\$1,691	\$1,868	\$2,045	\$2,221	\$2,398

Surcharges

Feet	1 ft.	2 ft.	3 ft.	4 ft.	5 ft.	6 ft.	7 ft.	8 ft.	9 ft.
Inches	12 in.	24 in.	36 in.	48 in.	60 in.	72 in.	84 in.	96 in.	108 in.
4 in. Fascia	\$80	\$90	\$100	\$110	\$120	\$130	\$140	\$150	\$160
4 in. Backplate	\$85	\$100	\$115	\$130	\$145	\$160	\$175	\$190	\$205
4 in. Fascia & Backplate	\$95	\$120	\$145	\$170	\$195	\$220	\$245	\$270	\$295
Cassette	\$30	\$45	\$60	\$85	\$100	\$115	\$130	\$145	\$160
Sill Channel	\$15	\$30	\$45	\$60	\$75	\$90	\$105	\$120	\$135
Sill Angle	\$8	\$16	\$24	\$32	\$40	\$48	\$56	\$64	\$72
Shade Pocket	\$100	\$125	\$150	\$175	\$200	\$225	\$250	\$275	\$300
Pocket Hanger	\$10	\$20	\$30	\$40	\$50	\$60	\$70	\$80	\$90
Pocket Closure	\$15	\$30	\$45	\$60	\$75	\$90	\$105	\$120	\$135
External Hembar	\$0	\$0	\$0	\$0	\$0	\$0	\$0	\$0	\$0
Hanging Valance	\$30	\$60	\$90	\$120	\$150	\$180	\$210	\$240	\$270

Note: Cassette can come with or without fabric wrap.

Note: Hanging valances are not available with returns.

Product Options and Surcharges

Motor Options

BTX 110V AC 45QE RF (101.8803)	\$500
BTX 45QE-RF Li-ion (101.5503)	\$525
BTX 24V DC RF (101.9215)	\$675
BTX 24V DC 2-Wire (101.9220)	\$485
Somfy ST50 Quiet RTS (101.9542)	\$965
Somfy ST50 ULTRA AC RTS (101.9543)	\$1,075
Somfy ST50 ULTRA DC RTS (101.9551)	\$1,200
Rollese Q3.0 Li-ion Rechargeable Battery	\$950
Rollese Q3.0 Plug-in	\$1,200

Control Options

BTX Controls

BTX Handsender 1 or 6-Channel White	\$125
BTX Wireless Wallswitch (2-Ch or 5-Ch)	\$150
BTX SmartConnect RS-232 Interface	\$350
BTX Li-ion Recharger	\$50

Somfy Controls

Somfy Situo RTS 1-Channel White	\$175
Somfy Situo RTS 5-Channel White	\$250
Somfy Telis RTS 1-Channel Silver or Lounge	\$275
Somfy Telis RTS 5-Channel Silver or Lounge	\$300
Somfy Telis 16-Channel Pure	\$600
Somfy Decoflex 1-Channel Pure	\$350
Somfy Decoflex 5-Channel Pure	\$375
Somfy Battery Tube, 12V, Reloadable	\$75
Somfy MyLink	\$700
Somfy URTSI	\$1,070
Somfy ST-30 Li-ion Recharger	\$40
Somfy Repeater	\$545

Control Options

Rollese Controls

Rollese Recharger	\$100
Rollese Q2.0/3.0 Power Supply	\$250
Rollese 5-Channel Surface Mount Switch	\$150
Rollese 15-Channel Cut-in Switch	\$150
Rollese 1-Channel Cut-in Switch	\$150
Rollese Handsender Push 5-Channel Matte Black	\$200
Rollese Handsender Push 5-Channel Gloss White	\$200
Rollese Handsender 15-Channel White	\$170
Rollese Handsender 1-Channel White	\$15
Rollese Automate Pulse Hub 2.0	\$650
Rollese Repeater	\$250

Misc. Controls

Extended Power Lead	\$30/foot
12V or 24V Power Supply Box	\$90 per motor

Hardware Options

Side Channel (Both Sides)	\$30/foot
---------------------------	-----------

Fabric List *(See fabric index page 31-32 for Fabric Grid Listing)*



Sorina L Manual Retail Pricing

		WIDTH													
Feet															
	Inches	12 in.	24 in.	36 in.	48 in.	60 in.	72 in.	84 in.	96 in.	108 in.	120 in.	132 in.	144 in.	156 in.	
HEIGHT	1 ft.	12 in.	\$147	\$190	\$234	\$278	\$322	\$366	\$410	\$454	\$498	\$542	\$586	\$630	\$674
	2 ft.	24 in.	\$157	\$211	\$265	\$319	\$374	\$428	\$482	\$536	\$590	\$645	\$699	\$753	\$807
	3 ft.	36 in.	\$167	\$232	\$296	\$360	\$425	\$489	\$554	\$618	\$683	\$747	\$812	\$876	\$941
	4 ft.	48 in.	\$177	\$252	\$327	\$402	\$476	\$551	\$626	\$700	\$775	\$850	\$925	\$999	\$1,074
	5 ft.	60 in.	\$188	\$273	\$358	\$443	\$528	\$613	\$698	\$783	\$868	\$953	\$1,038	\$1,123	\$1,208
	6 ft.	72 in.	\$198	\$293	\$388	\$484	\$579	\$674	\$769	\$865	\$960	\$1,055	\$1,151	\$1,246	\$1,341
	7 ft.	84 in.	\$208	\$314	\$419	\$525	\$630	\$736	\$841	\$947	\$1,052	\$1,158	\$1,263	\$1,369	\$1,475
	8 ft.	96 in.	\$218	\$334	\$450	\$566	\$682	\$797	\$913	\$1,029	\$1,145	\$1,261	\$1,376	\$1,492	\$1,608
	9 ft.	108 in.	\$229	\$355	\$481	\$607	\$733	\$859	\$985	\$1,111	\$1,237	\$1,363	\$1,489	\$1,615	\$1,741
	10 ft.	120 in.	\$239	\$375	\$512	\$648	\$784	\$921	\$1,057	\$1,193	\$1,330	\$1,466	\$1,602	\$1,739	\$1,875
	11 ft.	132 in.	\$249	\$396	\$542	\$689	\$836	\$982	\$1,129	\$1,275	\$1,422	\$1,569	\$1,715	\$1,862	\$2,008
	12 ft.	144 in.	\$259	\$416	\$573	\$730	\$887	\$1,044	\$1,201	\$1,357	\$1,514	\$1,671	\$1,828	\$1,985	\$2,142
	13 ft.	156 in.	\$270	\$437	\$604	\$771	\$938	\$1,105	\$1,272	\$1,440	\$1,607	\$1,774	\$1,941	\$2,108	\$2,275
	14 ft.	168 in.	\$280	\$457	\$635	\$812	\$990	\$1,167	\$1,344	\$1,522	\$1,699	\$1,877	\$2,054	\$2,231	\$2,409
	15 ft.	180 in.	\$290	\$478	\$666	\$853	\$1,041	\$1,229	\$1,416	\$1,604	\$1,792	\$1,979	\$2,167	\$2,355	\$2,542
	16 ft.	192 in.	\$301	\$498	\$696	\$894	\$1,092	\$1,290	\$1,488	\$1,686	\$1,884	\$2,082	\$2,280	\$2,478	\$2,676
	17 ft.	204 in.	\$311	\$519	\$727	\$935	\$1,144	\$1,352	\$1,560	\$1,768	\$1,976	\$2,185	\$2,393	\$2,601	\$2,809

Surcharges

Feet	1 ft.	2 ft.	3 ft.	4 ft.	5 ft.	6 ft.	7 ft.	8 ft.	9 ft.
Inches	12 in.	24 in.	36 in.	48 in.	60 in.	72 in.	84 in.	96 in.	108 in.
4 in. Fascia	\$80	\$90	\$100	\$110	\$120	\$130	\$140	\$150	\$160
4 in. Backplate	\$85	\$100	\$115	\$130	\$145	\$160	\$175	\$190	\$205
4 in. Fascia & Backplate	\$95	\$120	\$145	\$170	\$195	\$220	\$245	\$270	\$295
Cassette	\$30	\$45	\$60	\$85	\$100	\$115	\$130	\$145	\$160
Sill Channel	\$15	\$30	\$45	\$60	\$75	\$90	\$105	\$120	\$135
Sill Angle	\$8	\$16	\$24	\$32	\$40	\$48	\$56	\$64	\$72
Shade Pocket	\$100	\$125	\$150	\$175	\$200	\$225	\$250	\$275	\$300
Pocket Hanger	\$10	\$20	\$30	\$40	\$50	\$60	\$70	\$80	\$90
Pocket Closure	\$15	\$30	\$45	\$60	\$75	\$90	\$105	\$120	\$135
External Hembar	\$0	\$0	\$0	\$0	\$0	\$0	\$0	\$0	\$0
Hanging Valance	\$30	\$60	\$90	\$120	\$150	\$180	\$210	\$240	\$270

Note: Cassette can come with or without fabric wrap.
 Note: Hanging valances are not available with returns.

Product Options and Surcharges

Motor Options

BTX 110V AC 45QE RF (101.8803)	\$500
BTX 45QE-RF Li-ion (101.5503)	\$525
BTX 24V DC RF (101.9215)	\$675
BTX 24V DC 2-Wire (101.9220)	\$485
Somfy ST50 Quiet RTS (101.9542)	\$965
Somfy ST50 ULTRA AC RTS (101.9543)	\$1,075
Somfy ST50 ULTRA DC RTS (101.9551)	\$1,200
Rollease Q3.0 Li-ion Rechargeable Battery	\$950
Rollease Q3.0 Plug-in	\$1,200

Control Options

BTX Controls	
BTX Handsender 1 or 6-Channel White	\$125
BTX Wireless Wallswitch (2-Ch or 5-Ch)	\$150
BTX SmartConnect RS-232 Interface	\$350
BTX Li-ion Recharger	\$50
Somfy Controls	
Somfy Situo RTS 1-Channel White	\$175
Somfy Situo RTS 5-Channel White	\$250
Somfy Telis RTS 1-Channel Silver or Lounge	\$275
Somfy Telis RTS 5-Channel Silver or Lounge	\$300
Somfy Telis 16-Channel Pure	\$600
Somfy Decoflex 1-Channel Pure	\$350
Somfy Decoflex 5-Channel Pure	\$375
Somfy Battery Tube, 12V, Reloadable	\$75
Somfy MyLink	\$700
Somfy URTSI	\$1,070
Somfy ST-30 Li-ion Recharger	\$40
Somfy Repeater	\$545

Control Options

Rollease Controls	
Rollease Recharger	\$100
Rollease Q2.0/3.0 Power Supply	\$250
Rollease 5-Channel Surface Mount Switch	\$150
Rollease 15-Channel Cut-in Switch	\$150
Rollease 1-Channel Cut-in Switch	\$150
Rollease Handsender Push 5-Channel Matte Black	\$200
Rollease Handsender Push 5-Channel Gloss White	\$200
Rollease Handsender 15-Channel White	\$170
Rollease Handsender 1-Channel White	\$15
Rollease Automate Pulse Hub 2.0	\$650
Rollease Repeater	\$250
Misc. Controls	
Extended Power Lead	\$30/foot
12V or 24V Power Supply Box	\$90 per motor
Hardware Options	
Side Channel (Both Sides)	\$30/foot

Fabric List *(See fabric index page 31-32 for Fabric Grid listing)*



Sorina® L Shades

Price Grid 6

Sorina L Manual Retail Pricing

Feet		WIDTH													
		1ft.	2 ft.	3 ft.	4 ft.	5 ft.	6 ft.	7 ft.	8 ft.	9 ft.	10 ft.	11 ft.	12 ft.	13 ft.	
HEIGHT	Inches	12 in.	24 in.	36 in.	48 in.	60 in.	72 in.	84 in.	96 in.	108 in.	120 in.	132 in.	144 in.	156 in.	
	1 ft.	12 in.	\$155	\$208	\$260	\$313	\$365	\$418	\$470	\$523	\$575	\$628	\$680	\$732	\$785
	2 ft.	24 in.	\$169	\$235	\$301	\$367	\$433	\$500	\$566	\$632	\$698	\$764	\$831	\$897	\$963
	3 ft.	36 in.	\$182	\$262	\$342	\$422	\$502	\$582	\$662	\$742	\$821	\$901	\$981	\$1,061	\$1,141
	4 ft.	48 in.	\$196	\$290	\$383	\$477	\$570	\$664	\$757	\$851	\$945	\$1,038	\$1,132	\$1,225	\$1,319
	5 ft.	60 in.	\$210	\$317	\$424	\$532	\$639	\$746	\$853	\$961	\$1,068	\$1,175	\$1,282	\$1,390	\$1,497
	6 ft.	72 in.	\$224	\$344	\$465	\$586	\$707	\$828	\$949	\$1,070	\$1,191	\$1,312	\$1,433	\$1,554	\$1,675
	7 ft.	84 in.	\$237	\$372	\$506	\$641	\$776	\$910	\$1,045	\$1,180	\$1,314	\$1,449	\$1,583	\$1,718	\$1,853
	8 ft.	96 in.	\$251	\$399	\$548	\$696	\$844	\$992	\$1,141	\$1,289	\$1,437	\$1,586	\$1,734	\$1,882	\$2,031
	9 ft.	108 in.	\$265	\$427	\$589	\$751	\$913	\$1,075	\$1,237	\$1,399	\$1,561	\$1,723	\$1,885	\$2,047	\$2,209
	10 ft.	120 in.	\$278	\$454	\$630	\$805	\$981	\$1,157	\$1,332	\$1,508	\$1,684	\$1,859	\$2,035	\$2,211	\$2,386
	11 ft.	132 in.	\$292	\$481	\$671	\$860	\$1,049	\$1,239	\$1,428	\$1,618	\$1,807	\$1,996	\$2,186	\$2,375	\$2,564
	12 ft.	144 in.	\$306	\$509	\$712	\$915	\$1,118	\$1,321	\$1,524	\$1,727	\$1,930	\$2,133	\$2,336	\$2,539	\$2,742
	13 ft.	156 in.	\$319	\$536	\$753	\$970	\$1,186	\$1,403	\$1,620	\$1,837	\$2,053	\$2,270	\$2,487	\$2,704	\$2,920
	14 ft.	168 in.	\$333	\$563	\$794	\$1,024	\$1,255	\$1,485	\$1,716	\$1,946	\$2,177	\$2,407	\$2,637	\$2,868	\$3,098
	15 ft.	180 in.	\$347	\$591	\$835	\$1,079	\$1,323	\$1,567	\$1,811	\$2,056	\$2,300	\$2,544	\$2,788	\$3,032	\$3,276
	16 ft.	192 in.	\$360	\$618	\$876	\$1,134	\$1,392	\$1,649	\$1,907	\$2,165	\$2,423	\$2,681	\$2,939	\$3,196	\$3,454
17 ft.	204 in.	\$374	\$646	\$917	\$1,189	\$1,460	\$1,732	\$2,003	\$2,275	\$2,546	\$2,818	\$3,089	\$3,361	\$3,632	

Surcharges

Feet	1 ft.	2 ft.	3 ft.	4 ft.	5 ft.	6 ft.	7 ft.	8 ft.	9 ft.
Inches	12 in.	24 in.	36 in.	48 in.	60 in.	72 in.	84 in.	96 in.	108 in.
4 in. Fascia	\$80	\$90	\$100	\$110	\$120	\$130	\$140	\$150	\$160
4 in. Backplate	\$85	\$100	\$115	\$130	\$145	\$160	\$175	\$190	\$205
4 in. Fascia & Backplate	\$95	\$120	\$145	\$170	\$195	\$220	\$245	\$270	\$295
Cassette	\$30	\$45	\$60	\$85	\$100	\$115	\$130	\$145	\$160
Sill Channel	\$15	\$30	\$45	\$60	\$75	\$90	\$105	\$120	\$135
Sill Angle	\$8	\$16	\$24	\$32	\$40	\$48	\$56	\$64	\$72
Shade Pocket	\$100	\$125	\$150	\$175	\$200	\$225	\$250	\$275	\$300
Pocket Hanger	\$10	\$20	\$30	\$40	\$50	\$60	\$70	\$80	\$90
Pocket Closure	\$15	\$30	\$45	\$60	\$75	\$90	\$105	\$120	\$135
External Hembar	\$0	\$0	\$0	\$0	\$0	\$0	\$0	\$0	\$0
Hanging Valance	\$30	\$60	\$90	\$120	\$150	\$180	\$210	\$240	\$270

Note: Cassette can come with or without fabric wrap.

Note: Hanging valances are not available with returns.

Product Options and Surcharges

Motor Options

BTX 110V AC 45QERF (101.8803)	\$500
BTX 45QE-RF Li-ion (101.5503).....	\$525
BTX 24V DC RF (101.9215).....	\$675
BTX 24V DC 2-Wire (101.9220).....	\$485
Somfy ST50 Quiet RTS (101.9542).....	\$965
Somfy ST50 ULTRA AC RTS (101.9543).....	\$1,075
Somfy ST50 ULTRA DC RTS (101.9551).....	\$1,200
Rollese Q3.0 Li-ion Rechargeable Battery.....	\$950
Rollese Q3.0 Plug-in	\$1,200

Control Options

BTX Controls

BTX Handsender 1 or 6-Channel White	\$125
BTX Wireless Wallswitch (2-Ch or 5-Ch).....	\$150
BTX SmartConnect RS-232 Interface	\$350
BTX Li-ion Recharger.....	\$50

Somfy Controls

Somfy Situo RTS 1-Channel White.....	\$175
Somfy Situo RTS 5-Channel White.....	\$250
Somfy Telis RTS 1-Channel Silver or Lounge.....	\$275
Somfy Telis RTS 5-Channel Silver or Lounge.....	\$300
Somfy Telis 16-Channel Pure	\$600
Somfy Decoflex 1-Channel Pure	\$350
Somfy Decoflex 5-Channel Pure	\$375
Somfy Battery Tube, 12V, Reloadable	\$75
Somfy MyLink.....	\$700
Somfy URTSI	\$1,070
Somfy ST-30 Li-ion Recharger.....	\$40
Somfy Repeater.....	\$545

Control Options

Rollese Controls

Rollese Recharger.....	\$100
Rollese Q2.0/3.0 Power Supply.....	\$250
Rollese 5-Channel Surface Mount Switch	\$150
Rollese 15-Channel Cut-in Switch	\$150
Rollese 1-Channel Cut-in Switch	\$150
Rollese Handsender Push 5-Channel Matte Black	\$200
Rollese Handsender Push 5-Channel Gloss White.....	\$200
Rollese Handsender 15-Channel White.....	\$170
Rollese Handsender 1-Channel White.....	\$15
Rollese Automate Pulse Hub 2.0	\$650
Rollese Repeater	\$250

Misc. Controls

Extended Power Lead	\$30/foot
12V or 24V Power Supply Box	\$90 per motor

Hardware Options

Side Channel (Both Sides)	\$30/foot
---------------------------------	-----------

Fabric List (See fabric index page 31-32 for Fabric Grid listing)



Sorina L Manual Retail Pricing

		WIDTH													
Feet															
	Inches	12 in.	24 in.	36 in.	48 in.	60 in.	72 in.	84 in.	96 in.	108 in.	120 in.	132 in.	144 in.	156 in.	
HEIGHT	1 ft.	12 in.	\$164	\$225	\$286	\$347	\$408	\$469	\$530	\$591	\$652	\$713	\$774	\$835	\$896
	2 ft.	24 in.	\$181	\$259	\$337	\$415	\$493	\$572	\$650	\$728	\$806	\$884	\$962	\$1,040	\$1,119
	3 ft.	36 in.	\$198	\$293	\$388	\$484	\$579	\$674	\$769	\$865	\$960	\$1,055	\$1,151	\$1,246	\$1,341
	4 ft.	48 in.	\$215	\$327	\$440	\$552	\$664	\$777	\$889	\$1,002	\$1,114	\$1,226	\$1,339	\$1,451	\$1,563
	5 ft.	60 in.	\$232	\$362	\$491	\$621	\$750	\$880	\$1,009	\$1,138	\$1,268	\$1,397	\$1,527	\$1,656	\$1,786
	6 ft.	72 in.	\$249	\$396	\$542	\$689	\$836	\$982	\$1,129	\$1,275	\$1,422	\$1,569	\$1,715	\$1,862	\$2,008
	7 ft.	84 in.	\$266	\$430	\$594	\$757	\$921	\$1,085	\$1,249	\$1,412	\$1,576	\$1,740	\$1,903	\$2,067	\$2,231
	8 ft.	96 in.	\$283	\$464	\$645	\$826	\$1,007	\$1,187	\$1,368	\$1,549	\$1,730	\$1,911	\$2,092	\$2,272	\$2,453
	9 ft.	108 in.	\$301	\$498	\$696	\$894	\$1,092	\$1,290	\$1,488	\$1,686	\$1,884	\$2,082	\$2,280	\$2,478	\$2,676
	10 ft.	120 in.	\$318	\$533	\$748	\$963	\$1,178	\$1,393	\$1,608	\$1,823	\$2,038	\$2,253	\$2,468	\$2,683	\$2,898
	11 ft.	132 in.	\$335	\$567	\$799	\$1,031	\$1,263	\$1,495	\$1,728	\$1,960	\$2,192	\$2,424	\$2,656	\$2,888	\$3,121
	12 ft.	144 in.	\$352	\$601	\$850	\$1,100	\$1,349	\$1,598	\$1,847	\$2,097	\$2,346	\$2,595	\$2,844	\$3,094	\$3,343
	13 ft.	156 in.	\$369	\$635	\$902	\$1,168	\$1,434	\$1,701	\$1,967	\$2,234	\$2,500	\$2,766	\$3,033	\$3,299	\$3,565
	14 ft.	168 in.	\$386	\$670	\$953	\$1,237	\$1,520	\$1,803	\$2,087	\$2,370	\$2,654	\$2,937	\$3,221	\$3,504	\$3,788
	15 ft.	180 in.	\$403	\$704	\$1,004	\$1,305	\$1,606	\$1,906	\$2,207	\$2,507	\$2,808	\$3,108	\$3,409	\$3,710	\$4,010
	16 ft.	192 in.	\$420	\$738	\$1,056	\$1,373	\$1,691	\$2,009	\$2,326	\$2,644	\$2,962	\$3,280	\$3,597	\$3,915	\$4,233
	17 ft.	204 in.	\$437	\$772	\$1,107	\$1,442	\$1,777	\$2,111	\$2,446	\$2,781	\$3,116	\$3,451	\$3,785	\$4,120	\$4,455

Surcharges

Feet	1 ft.	2 ft.	3 ft.	4 ft.	5 ft.	6 ft.	7 ft.	8 ft.	9 ft.
Inches	12 in.	24 in.	36 in.	48 in.	60 in.	72 in.	84 in.	96 in.	108 in.
4 in. Fascia	\$80	\$90	\$100	\$110	\$120	\$130	\$140	\$150	\$160
4 in. Backplate	\$85	\$100	\$115	\$130	\$145	\$160	\$175	\$190	\$205
4 in. Fascia & Backplate	\$95	\$120	\$145	\$170	\$195	\$220	\$245	\$270	\$295
Cassette	\$30	\$45	\$60	\$85	\$100	\$115	\$130	\$145	\$160
Sill Channel	\$15	\$30	\$45	\$60	\$75	\$90	\$105	\$120	\$135
Sill Angle	\$8	\$16	\$24	\$32	\$40	\$48	\$56	\$64	\$72
Shade Pocket	\$100	\$125	\$150	\$175	\$200	\$225	\$250	\$275	\$300
Pocket Hanger	\$10	\$20	\$30	\$40	\$50	\$60	\$70	\$80	\$90
Pocket Closure	\$15	\$30	\$45	\$60	\$75	\$90	\$105	\$120	\$135
External Hembar	\$0	\$0	\$0	\$0	\$0	\$0	\$0	\$0	\$0
Hanging Valance	\$30	\$60	\$90	\$120	\$150	\$180	\$210	\$240	\$270

Note: Cassette can come with or without fabric wrap.
 Note: Hanging valances are not available with returns.

Product Options and Surcharges

Motor Options

BTX 110V AC 45QE RF (101.8803)	\$500
BTX 45QE-RF Li-ion (101.5503)	\$525
BTX 24V DC RF (101.9215)	\$675
BTX 24V DC 2-Wire (101.9220)	\$485
Somfy ST50 Quiet RTS (101.9542)	\$965
Somfy ST50 ULTRA AC RTS (101.9543)	\$1,075
Somfy ST50 ULTRA DC RTS (101.9551)	\$1,200
Rollease Q3.0 Li-ion Rechargeable Battery	\$950
Rollease Q3.0 Plug-in	\$1,200

Control Options

BTX Controls	
BTX Handsender 1 or 6-Channel White	\$125
BTX Wireless Wallswitch (2-Ch or 5-Ch)	\$150
BTX SmartConnect RS-232 Interface	\$350
BTX Li-ion Recharger	\$50
Somfy Controls	
Somfy Situo RTS 1-Channel White	\$175
Somfy Situo RTS 5-Channel White	\$250
Somfy Telis RTS 1-Channel Silver or Lounge	\$275
Somfy Telis RTS 5-Channel Silver or Lounge	\$300
Somfy Telis 16-Channel Pure	\$600
Somfy Decoflex 1-Channel Pure	\$350
Somfy Decoflex 5-Channel Pure	\$375
Somfy Battery Tube, 12V, Reloadable	\$75
Somfy MyLink	\$700
Somfy URTSI	\$1,070
Somfy ST-30 Li-ion Recharger	\$40
Somfy Repeater	\$545

Control Options

Rollease Controls	
Rollease Recharger	\$100
Rollease Q2.0/3.0 Power Supply	\$250
Rollease 5-Channel Surface Mount Switch	\$150
Rollease 15-Channel Cut-in Switch	\$150
Rollease 1-Channel Cut-in Switch	\$150
Rollease Handsender Push 5-Channel Matte Black	\$200
Rollease Handsender Push 5-Channel Gloss White	\$200
Rollease Handsender 15-Channel White	\$170
Rollease Handsender 1-Channel White	\$15
Rollease Automate Pulse Hub 2.0	\$650
Rollease Repeater	\$250
Misc. Controls	
Extended Power Lead	\$30/foot
12V or 24V Power Supply Box	\$90 per motor
Hardware Options	
Side Channel (Both Sides)	\$30/foot

Fabric List (See fabric index page 31-32 for Fabric Grid listing)



Sorina XL systems feature a large 85 mm steel tube and hardware configuration motorized shading systems. The larger hardware setup allows for wider and heavier systems. XL-class systems are made available with nearly all the same motor options found in the L-class section, but shades can be specified for bigger applications. If you have requirements outside of the range published here, please contact the factory to explore additional options.



XL Class (Extra Large) Motorized Roller Shade System

- AC Motorized system options
- Max size: 15 ft. by 17 ft. (depending on fabric weight)
- Max lifting capacity determined by motor (see page 41)
- 85 mm steel tube and bracket system

What comes with the standard grid price?

Your BTX Intelligent Fashion Sorina XL Roller Shade System comes with

- Fully fabricated motorized Roller Shade system, built to your exact specifications
- Motorized bracket hardware configuration with BTX 45QE RF motor. Manual is not available.
- Fabric listed for the selected grid
- Sealed internal bottom bar (Depending on fabric. Some fabrics cannot use sealed bottom bar)

Important information regarding this system

- Alternate motorized systems are available as an upcharge. (See product options and surcharges at the bottom of each pricing page).
- Control devices for motorized systems are sold separately! Please specify whether you want a handsender, wall switch, or other control method.
- Additional peripherals may be required based on your control scenario
- Please be prepared to answer the following questions about your system:
 - Motor Side (left or right)
 - Roll direction (standard front roll or reverse roll)
 - How would you like the systems programmed, if motorized (we do program and test everything before shipping!)
- Railroading may be necessary based on size.
- Not all fabrics can be railroaded.
- Contact the factory for coupled shades.
- If you have a preference on packaging method (box or crate), please specify, otherwise we will select the safest and most economical method.

Sorina XL Motorized (45QE RF) Bracket System Retail Pricing

		WIDTH												
Feet	Inches	3 ft.	4 ft.	5 ft.	6 ft.	7 ft.	8 ft.	9 ft.	10 ft.	11 ft.	12 ft.	13 ft.	14 ft.	15 ft.
		36 in.	48 in.	60 in.	72 in.	84 in.	96 in.	108 in.	120 in.	132 in.	144 in.	156 in.	168 in.	180 in.
HEIGHT	1 ft.	\$981	\$1,012	\$1,043	\$1,074	\$1,105	\$1,136	\$1,167	\$1,198	\$1,229	\$1,259	\$1,290	\$1,321	\$1,352
	2 ft.	\$991	\$1,025	\$1,060	\$1,094	\$1,129	\$1,163	\$1,198	\$1,232	\$1,266	\$1,300	\$1,334	\$1,369	\$1,403
	3 ft.	\$1,001	\$1,039	\$1,077	\$1,115	\$1,153	\$1,191	\$1,228	\$1,266	\$1,304	\$1,341	\$1,379	\$1,417	\$1,454
	4 ft.	\$1,011	\$1,053	\$1,094	\$1,135	\$1,177	\$1,218	\$1,259	\$1,300	\$1,342	\$1,382	\$1,423	\$1,465	\$1,506
	5 ft.	\$1,022	\$1,066	\$1,111	\$1,156	\$1,201	\$1,245	\$1,290	\$1,335	\$1,379	\$1,423	\$1,468	\$1,512	\$1,557
	6 ft.	\$1,032	\$1,080	\$1,128	\$1,176	\$1,225	\$1,273	\$1,321	\$1,369	\$1,417	\$1,464	\$1,512	\$1,560	\$1,608
	7 ft.	\$1,042	\$1,094	\$1,145	\$1,197	\$1,248	\$1,300	\$1,352	\$1,403	\$1,455	\$1,505	\$1,557	\$1,608	\$1,660
	8 ft.	\$1,053	\$1,107	\$1,162	\$1,217	\$1,272	\$1,327	\$1,382	\$1,437	\$1,492	\$1,546	\$1,601	\$1,656	\$1,711
	9 ft.	\$1,063	\$1,121	\$1,180	\$1,238	\$1,296	\$1,355	\$1,413	\$1,472	\$1,530	\$1,587	\$1,646	\$1,704	\$1,762
	10 ft.	\$1,073	\$1,135	\$1,197	\$1,259	\$1,320	\$1,382	\$1,444	\$1,506	\$1,568	\$1,628	\$1,690	\$1,752	\$1,814
	11 ft.	\$1,083	\$1,149	\$1,214	\$1,279	\$1,344	\$1,410	\$1,475	\$1,540	\$1,605	\$1,669	\$1,735	\$1,800	\$1,865
	12 ft.	\$1,094	\$1,162	\$1,231	\$1,300	\$1,368	\$1,437	\$1,506	\$1,574	\$1,643	\$1,710	\$1,779	\$1,848	\$1,916
	13 ft.	\$1,104	\$1,176	\$1,248	\$1,320	\$1,392	\$1,464	\$1,536	\$1,608	\$1,681	\$1,752	\$1,824	\$1,896	\$1,968
	14 ft.	\$1,114	\$1,190	\$1,265	\$1,341	\$1,416	\$1,492	\$1,567	\$1,643	\$1,718	\$1,793	\$1,868	\$1,944	\$2,019
	15 ft.	\$1,124	\$1,203	\$1,282	\$1,361	\$1,440	\$1,519	\$1,598	\$1,677	\$1,756	\$1,834	\$1,913	\$1,992	\$2,070
	16 ft.	\$1,135	\$1,217	\$1,299	\$1,382	\$1,464	\$1,546	\$1,629	\$1,711	\$1,793	\$1,875	\$1,957	\$2,039	\$2,122
	17 ft.	\$1,145	\$1,231	\$1,316	\$1,402	\$1,488	\$1,574	\$1,660	\$1,745	\$1,831	\$1,916	\$2,002	\$2,087	\$2,173

Surcharges

Feet	3 ft.	4 ft.	5 ft.	6 ft.	7 ft.	8 ft.	9 ft.	10 ft.	11 ft.	12 ft.	13 ft.	14 ft.	15 ft.
Inches	36 in.	48 in.	60 in.	72 in.	84 in.	96 in.	108 in.	120 in.	132 in.	144 in.	156 in.	168 in.	180 in.
Sill Channel	\$45	\$60	\$75	\$90	\$105	\$120	\$135	\$150	\$165	\$180	\$205	\$220	\$235
Sill Angle	\$24	\$32	\$40	\$48	\$56	\$64	\$72	\$80	\$88	\$96	\$104	\$112	\$120
Pocket Hanger	\$30	\$40	\$50	\$60	\$70	\$80	\$90	\$100	\$110	\$120	\$130	\$140	\$150
Pocket Closure	\$45	\$60	\$75	\$90	\$105	\$120	\$135	\$150	\$165	\$180	\$205	\$220	\$235
External Hembar	\$0	\$0	\$0	\$0	\$0	\$0	\$0	\$0	\$0	\$0	\$0	\$0	\$0
Hanging Valance	\$90	\$120	\$150	\$180	\$210	\$240	\$270	\$300	\$330	\$360	\$390	\$420	\$450

Note: Hanging valances are not available with returns.

Product Options and Surcharges

Motor Options

Somfy ST50 Quiet RTS (101.9542).....	\$480
Somfy ST50 ULTRA AC RTS (101.9543).....	\$565
Somfy ST50 ULTRA DC RTS (101.9551).....	\$715

Control Options

BTX Controls	
BTX Handsender 1 or 6-Channel White	\$125
BTX Wireless Wallswitch (2-Ch or 5-Ch).....	\$150
BTX SmartConnect RS-232 Interface	\$350
BTX Li-ion Recharger.....	\$50
Somfy Controls	
Somfy Situo RTS 1-Channel White.....	\$175
Somfy Situo RTS 5-Channel White.....	\$250
Somfy Telis RTS 1-Channel Silver or Lounge.....	\$275
Somfy Telis RTS 5-Channel Silver or Lounge.....	\$300
Somfy Telis 16-Channel Pure	\$600
Somfy Decoflex 1-Channel Pure	\$350
Somfy Decoflex 5-Channel Pure	\$375
Somfy Battery Tube, 12V, Reloadable	\$75
Somfy MyLink	\$700
Somfy URTSI	\$1,070
Somfy ST-30 Li-ion Recharger.....	\$40
Somfy Repeater.....	\$545

Control Options

Misc. Controls	
Extended Power Lead	\$30/foot

Hardware Options

Side Channel (Both Sides)	\$30/foot
---------------------------------	-----------

Fabric List (See fabric index page 31-32 for Fabric Grid listing)



Sorina XL Motorized (45QE RF) Bracket System Retail Pricing

HEIGHT		WIDTH												
		3 ft.	4 ft.	5 ft.	6 ft.	7 ft.	8 ft.	9 ft.	10 ft.	11 ft.	12 ft.	13 ft.	14 ft.	15 ft.
Feet	Inches	36 in	48 in.	60 in.	72 in.	84 in.	96 in.	108 in.	120 in.	132 in.	144 in	156 in.	168 in	180 in.
1 ft.	12 in.	\$993	\$1,029	\$1,064	\$1,099	\$1,135	\$1,170	\$1,205	\$1,241	\$1,276	\$1,310	\$1,345	\$1,381	\$1,416
2 ft.	24 in.	\$1,009	\$1,049	\$1,090	\$1,130	\$1,171	\$1,211	\$1,251	\$1,292	\$1,332	\$1,372	\$1,412	\$1,453	\$1,493
3 ft.	36 in.	\$1,024	\$1,070	\$1,115	\$1,161	\$1,207	\$1,252	\$1,298	\$1,343	\$1,389	\$1,433	\$1,479	\$1,524	\$1,570
4 ft.	48 in.	\$1,040	\$1,090	\$1,141	\$1,192	\$1,242	\$1,293	\$1,344	\$1,395	\$1,445	\$1,495	\$1,546	\$1,596	\$1,647
5 ft.	60 in.	\$1,055	\$1,111	\$1,167	\$1,223	\$1,278	\$1,334	\$1,390	\$1,446	\$1,502	\$1,556	\$1,612	\$1,668	\$1,724
6 ft.	72 in.	\$1,070	\$1,131	\$1,192	\$1,253	\$1,314	\$1,375	\$1,436	\$1,497	\$1,558	\$1,618	\$1,679	\$1,740	\$1,801
7 ft.	84 in.	\$1,086	\$1,152	\$1,218	\$1,284	\$1,350	\$1,416	\$1,482	\$1,549	\$1,615	\$1,680	\$1,746	\$1,812	\$1,878
8 ft.	96 in.	\$1,101	\$1,173	\$1,244	\$1,315	\$1,386	\$1,457	\$1,529	\$1,600	\$1,671	\$1,741	\$1,812	\$1,884	\$1,955
9 ft.	108 in.	\$1,117	\$1,193	\$1,269	\$1,346	\$1,422	\$1,498	\$1,575	\$1,651	\$1,728	\$1,803	\$1,879	\$1,956	\$2,032
10 ft.	120 in.	\$1,132	\$1,214	\$1,295	\$1,377	\$1,458	\$1,540	\$1,621	\$1,703	\$1,784	\$1,864	\$1,946	\$2,027	\$2,109
11 ft.	132 in.	\$1,147	\$1,234	\$1,321	\$1,407	\$1,494	\$1,581	\$1,667	\$1,754	\$1,841	\$1,926	\$2,013	\$2,099	\$2,186
12 ft.	144 in.	\$1,163	\$1,255	\$1,346	\$1,438	\$1,530	\$1,622	\$1,713	\$1,805	\$1,897	\$1,988	\$2,079	\$2,171	\$2,263
13 ft.	156 in.	\$1,178	\$1,275	\$1,372	\$1,469	\$1,566	\$1,663	\$1,760	\$1,857	\$1,953	\$2,049	\$2,146	\$2,243	\$2,340
14 ft.	168 in.	\$1,194	\$1,296	\$1,398	\$1,500	\$1,602	\$1,704	\$1,806	\$1,908	\$2,010	\$2,111	\$2,213	\$2,315	\$2,417
15 ft.	180 in.	\$1,209	\$1,316	\$1,423	\$1,531	\$1,638	\$1,745	\$1,852	\$1,959	\$2,066	\$2,172	\$2,280	\$2,387	\$2,494
16 ft.	192 in.	\$1,224	\$1,337	\$1,449	\$1,561	\$1,674	\$1,786	\$1,898	\$2,011	\$2,123	\$2,234	\$2,346	\$2,459	\$2,571
17 ft.	204 in.	\$1,240	\$1,357	\$1,475	\$1,592	\$1,710	\$1,827	\$1,944	\$2,062	\$2,179	\$2,296	\$2,413	\$2,530	\$2,648

Surcharges

Feet	3 ft.	4 ft.	5 ft.	6 ft.	7 ft.	8 ft.	9 ft.	10 ft.	11 ft.	12 ft.	13 ft.	14 ft.	15 ft.
Inches	36 in	48 in.	60 in.	72 in.	84 in.	96 in.	108 in.	120 in.	132 in.	144 in	156 in.	168 in	180 in.
Sill Channel	\$45	\$60	\$75	\$90	\$105	\$120	\$135	\$150	\$165	\$180	\$205	\$220	\$235
Sill Angle	\$24	\$32	\$40	\$48	\$56	\$64	\$72	\$80	\$88	\$96	\$104	\$112	\$120
Pocket Hanger	\$30	\$40	\$50	\$60	\$70	\$80	\$90	\$100	\$110	\$120	\$130	\$140	\$150
Pocket Closure	\$45	\$60	\$75	\$90	\$105	\$120	\$135	\$150	\$165	\$180	\$205	\$220	\$235
External Hembar	\$0	\$0	\$0	\$0	\$0	\$0	\$0	\$0	\$0	\$0	\$0	\$0	\$0
Hanging Valance	\$90	\$120	\$150	\$180	\$210	\$240	\$270	\$300	\$330	\$360	\$390	\$420	\$450

Note: Hanging valances are not available with returns.

Product Options and Surcharges

Motor Options

Somfy ST50 Quiet RTS (101.9542).....	\$480
Somfy ST50 ULTRA AC RTS (101.9543).....	\$565
Somfy ST50 ULTRA DC RTS (101.9551).....	\$715

Control Options

BTX Controls	
BTX Handsender 1 or 6-Channel White	\$125
BTX Wireless Wallswitch (2-Ch or 5-Ch).....	\$150
BTX SmartConnect RS-232 Interface.....	\$350
BTX Li-ion Recharger.....	\$50
Somfy Controls	

Somfy Situo RTS 1-Channel White.....	\$175
Somfy Situo RTS 5-Channel White.....	\$250
Somfy Telis RTS 1-Channel Silver or Lounge.....	\$275
Somfy Telis RTS 5-Channel Silver or Lounge.....	\$300
Somfy Telis 16-Channel Pure.....	\$600
Somfy Decoflex 1-Channel Pure	\$350
Somfy Decoflex 5-Channel Pure	\$375
Somfy Battery Tube, 12V, Reloadable	\$75
Somfy MyLink	\$700
Somfy URTSI.....	\$1,070
Somfy ST-30 Li-ion Recharger.....	\$40
Somfy Repeater.....	\$545

Control Options

Misc. Controls	
Extended Power Lead	\$30/foot

Hardware Options

Side Channel (Both Sides)	\$30/foot
---------------------------------	-----------

Fabric List [\(See fabric index page 31-32 for Fabric Grid listing\)](#)



Sorina XL Motorized (45QE RF) Bracket System Retail Pricing

		WIDTH												
HEIGHT	Feet	3 ft.	4 ft.	5 ft.	6 ft.	7 ft.	8 ft.	9 ft.	10 ft.	11 ft.	12 ft.	13 ft.	14 ft.	15 ft.
	Inches	36 in.	48 in.	60 in.	72 in.	84 in.	96 in.	108 in.	120 in.	132 in.	144 in.	156 in.	168 in.	180 in.
1 ft.	12 in.	\$1,006	\$1,046	\$1,085	\$1,125	\$1,165	\$1,204	\$1,244	\$1,283	\$1,323	\$1,361	\$1,401	\$1,441	\$1,480
2 ft.	24 in.	\$1,027	\$1,073	\$1,120	\$1,166	\$1,213	\$1,259	\$1,305	\$1,352	\$1,398	\$1,444	\$1,490	\$1,536	\$1,583
3 ft.	36 in.	\$1,047	\$1,101	\$1,154	\$1,207	\$1,260	\$1,314	\$1,367	\$1,420	\$1,474	\$1,526	\$1,579	\$1,632	\$1,685
4 ft.	48 in.	\$1,068	\$1,128	\$1,188	\$1,248	\$1,308	\$1,368	\$1,429	\$1,489	\$1,549	\$1,608	\$1,668	\$1,728	\$1,788
5 ft.	60 in.	\$1,088	\$1,155	\$1,222	\$1,289	\$1,356	\$1,423	\$1,490	\$1,557	\$1,624	\$1,690	\$1,757	\$1,824	\$1,891
6 ft.	72 in.	\$1,109	\$1,183	\$1,257	\$1,330	\$1,404	\$1,478	\$1,552	\$1,626	\$1,699	\$1,772	\$1,846	\$1,920	\$1,993
7 ft.	84 in.	\$1,129	\$1,210	\$1,291	\$1,371	\$1,452	\$1,533	\$1,613	\$1,694	\$1,775	\$1,854	\$1,935	\$2,015	\$2,096
8 ft.	96 in.	\$1,150	\$1,238	\$1,325	\$1,412	\$1,500	\$1,587	\$1,675	\$1,762	\$1,850	\$1,936	\$2,024	\$2,111	\$2,199
9 ft.	108 in.	\$1,171	\$1,265	\$1,359	\$1,454	\$1,548	\$1,642	\$1,737	\$1,831	\$1,925	\$2,018	\$2,113	\$2,207	\$2,301
10 ft.	120 in.	\$1,191	\$1,292	\$1,393	\$1,495	\$1,596	\$1,697	\$1,798	\$1,899	\$2,001	\$2,101	\$2,202	\$2,303	\$2,404
11 ft.	132 in.	\$1,212	\$1,320	\$1,428	\$1,536	\$1,644	\$1,752	\$1,860	\$1,968	\$2,076	\$2,183	\$2,291	\$2,399	\$2,507
12 ft.	144 in.	\$1,232	\$1,347	\$1,462	\$1,577	\$1,692	\$1,806	\$1,921	\$2,036	\$2,151	\$2,265	\$2,380	\$2,495	\$2,609
13 ft.	156 in.	\$1,253	\$1,374	\$1,496	\$1,618	\$1,740	\$1,861	\$1,983	\$2,105	\$2,226	\$2,347	\$2,469	\$2,590	\$2,712
14 ft.	168 in.	\$1,273	\$1,402	\$1,530	\$1,659	\$1,787	\$1,916	\$2,045	\$2,173	\$2,302	\$2,429	\$2,558	\$2,686	\$2,815
15 ft.	180 in.	\$1,294	\$1,429	\$1,565	\$1,700	\$1,835	\$1,971	\$2,106	\$2,242	\$2,377	\$2,511	\$2,647	\$2,782	\$2,917
16 ft.	192 in.	\$1,314	\$1,457	\$1,599	\$1,741	\$1,883	\$2,025	\$2,168	\$2,310	\$2,452	\$2,593	\$2,736	\$2,878	\$3,020
17 ft.	204 in.	\$1,335	\$1,484	\$1,633	\$1,782	\$1,931	\$2,080	\$2,229	\$2,378	\$2,527	\$2,675	\$2,825	\$2,974	\$3,123

Surcharges

Feet	3 ft.	4 ft.	5 ft.	6 ft.	7 ft.	8 ft.	9 ft.	10 ft.	11 ft.	12 ft.	13 ft.	14 ft.	15 ft.
Inches	36 in.	48 in.	60 in.	72 in.	84 in.	96 in.	108 in.	120 in.	132 in.	144 in.	156 in.	168 in.	180 in.
Sill Channel	\$45	\$60	\$75	\$90	\$105	\$120	\$135	\$150	\$165	\$180	\$205	\$220	\$235
Sill Angle	\$24	\$32	\$40	\$48	\$56	\$64	\$72	\$80	\$88	\$96	\$104	\$112	\$120
Pocket Hanger	\$30	\$40	\$50	\$60	\$70	\$80	\$90	\$100	\$110	\$120	\$130	\$140	\$150
Pocket Closure	\$45	\$60	\$75	\$90	\$105	\$120	\$135	\$150	\$165	\$180	\$205	\$220	\$235
External Hembar	\$0	\$0	\$0	\$0	\$0	\$0	\$0	\$0	\$0	\$0	\$0	\$0	\$0
Hanging Valance	\$90	\$120	\$150	\$180	\$210	\$240	\$270	\$300	\$330	\$360	\$390	\$420	\$450

Note: Hanging valances are not available with returns.

Product Options and Surcharges

Motor Options

Somfy ST50 Quiet RTS (101.9542).....	\$480
Somfy ST50 ULTRA AC RTS (101.9543).....	\$565
Somfy ST50 ULTRA DC RTS (101.9551).....	\$715

Control Options

BTX Controls	
BTX Handsender 1 or 6-Channel White	\$125
BTX Wireless Wallswitch (2-Ch or 5-Ch).....	\$150
BTX SmartConnect RS-232 Interface	\$350
BTX Li-ion Recharger.....	\$50
Somfy Controls	
Somfy Situo RTS 1-Channel White.....	\$175
Somfy Situo RTS 5-Channel White.....	\$250
Somfy Telis RTS 1-Channel Silver or Lounge.....	\$275
Somfy Telis RTS 5-Channel Silver or Lounge.....	\$300
Somfy Telis 16-Channel Pure.....	\$600
Somfy Decoflex 1-Channel Pure.....	\$350
Somfy Decoflex 5-Channel Pure.....	\$375
Somfy Battery Tube, 12V, Reloadable.....	\$75
Somfy MyLink.....	\$700
Somfy URTSI.....	\$1,070
Somfy ST-30 Li-ion Recharger.....	\$40
Somfy Repeater.....	\$545

Control Options

Misc. Controls	
Extended Power Lead	\$30/foot

Hardware Options

Side Channel (Both Sides)	\$30/foot
---------------------------------	-----------

Fabric List [\(See fabric index page 31-32 for Fabric Grid listing\)](#)



Sorina XL Motorized (45QE RF) Bracket System Retail Pricing

HEIGHT		WIDTH												
		3 ft.	4 ft.	5 ft.	6 ft.	7 ft.	8 ft.	9 ft.	10 ft.	11 ft.	12 ft.	13 ft.	14 ft.	15 ft.
Feet	Inches	36 in.	48 in.	60 in.	72 in.	84 in.	96 in.	108 in.	120 in.	132 in.	144 in.	156 in.	168 in.	180 in.
1 ft.	12 in.	\$1,019	\$1,063	\$1,107	\$1,151	\$1,195	\$1,238	\$1,282	\$1,326	\$1,370	\$1,413	\$1,457	\$1,500	\$1,544
2 ft.	24 in.	\$1,045	\$1,097	\$1,150	\$1,202	\$1,254	\$1,307	\$1,359	\$1,412	\$1,464	\$1,515	\$1,568	\$1,620	\$1,673
3 ft.	36 in.	\$1,070	\$1,131	\$1,192	\$1,253	\$1,314	\$1,375	\$1,436	\$1,497	\$1,558	\$1,618	\$1,679	\$1,740	\$1,801
4 ft.	48 in.	\$1,096	\$1,166	\$1,235	\$1,305	\$1,374	\$1,444	\$1,513	\$1,583	\$1,652	\$1,721	\$1,790	\$1,860	\$1,929
5 ft.	60 in.	\$1,122	\$1,200	\$1,278	\$1,356	\$1,434	\$1,512	\$1,590	\$1,668	\$1,746	\$1,823	\$1,901	\$1,980	\$2,058
6 ft.	72 in.	\$1,147	\$1,234	\$1,321	\$1,407	\$1,494	\$1,581	\$1,667	\$1,754	\$1,841	\$1,926	\$2,013	\$2,099	\$2,186
7 ft.	84 in.	\$1,173	\$1,268	\$1,364	\$1,459	\$1,554	\$1,649	\$1,744	\$1,839	\$1,935	\$2,029	\$2,124	\$2,219	\$2,314
8 ft.	96 in.	\$1,199	\$1,303	\$1,406	\$1,510	\$1,614	\$1,718	\$1,821	\$1,925	\$2,029	\$2,131	\$2,235	\$2,339	\$2,443
9 ft.	108 in.	\$1,224	\$1,337	\$1,449	\$1,561	\$1,674	\$1,786	\$1,898	\$2,011	\$2,123	\$2,234	\$2,346	\$2,459	\$2,571
10 ft.	120 in.	\$1,250	\$1,371	\$1,492	\$1,613	\$1,734	\$1,854	\$1,975	\$2,096	\$2,217	\$2,337	\$2,458	\$2,578	\$2,699
11 ft.	132 in.	\$1,276	\$1,405	\$1,535	\$1,664	\$1,793	\$1,923	\$2,052	\$2,182	\$2,311	\$2,439	\$2,569	\$2,698	\$2,828
12 ft.	144 in.	\$1,301	\$1,439	\$1,577	\$1,715	\$1,853	\$1,991	\$2,129	\$2,267	\$2,405	\$2,542	\$2,680	\$2,818	\$2,956
13 ft.	156 in.	\$1,327	\$1,474	\$1,620	\$1,767	\$1,913	\$2,060	\$2,206	\$2,353	\$2,499	\$2,645	\$2,791	\$2,938	\$3,084
14 ft.	168 in.	\$1,353	\$1,508	\$1,663	\$1,818	\$1,973	\$2,128	\$2,283	\$2,438	\$2,593	\$2,747	\$2,902	\$3,057	\$3,213
15 ft.	180 in.	\$1,378	\$1,542	\$1,706	\$1,869	\$2,033	\$2,197	\$2,360	\$2,524	\$2,687	\$2,850	\$3,014	\$3,177	\$3,341
16 ft.	192 in.	\$1,404	\$1,576	\$1,748	\$1,921	\$2,093	\$2,265	\$2,437	\$2,609	\$2,782	\$2,953	\$3,125	\$3,297	\$3,469
17 ft.	204 in.	\$1,430	\$1,611	\$1,791	\$1,972	\$2,153	\$2,333	\$2,514	\$2,695	\$2,876	\$3,055	\$3,236	\$3,417	\$3,598

Surcharges

Feet	3 ft.	4 ft.	5 ft.	6 ft.	7 ft.	8 ft.	9 ft.	10 ft.	11 ft.	12 ft.	13 ft.	14 ft.	15 ft.
Inches	36 in.	48 in.	60 in.	72 in.	84 in.	96 in.	108 in.	120 in.	132 in.	144 in.	156 in.	168 in.	180 in.
Sill Channel	\$45	\$60	\$75	\$90	\$105	\$120	\$135	\$150	\$165	\$180	\$205	\$220	\$235
Sill Angle	\$24	\$32	\$40	\$48	\$56	\$64	\$72	\$80	\$88	\$96	\$104	\$112	\$120
Pocket Hanger	\$30	\$40	\$50	\$60	\$70	\$80	\$90	\$100	\$110	\$120	\$130	\$140	\$150
Pocket Closure	\$45	\$60	\$75	\$90	\$105	\$120	\$135	\$150	\$165	\$180	\$205	\$220	\$235
External Hembar	\$0	\$0	\$0	\$0	\$0	\$0	\$0	\$0	\$0	\$0	\$0	\$0	\$0
Hanging Valance	\$90	\$120	\$150	\$180	\$210	\$240	\$270	\$300	\$330	\$360	\$390	\$420	\$450

Note: Hanging valances are not available with returns.

Product Options and Surcharges

Motor Options

Somfy ST50 Quiet RTS (101.9542).....	\$480
Somfy ST50 ULTRA AC RTS (101.9543).....	\$565
Somfy ST50 ULTRA DC RTS (101.9551).....	\$715

Control Options

BTX Controls	
BTX Handsender 1 or 6-Channel White	\$125
BTX Wireless Wallswitch (2-Ch or 5-Ch)	\$150
BTX SmartConnect RS-232 Interface	\$350
BTX Li-ion Recharger	\$50
Somfy Controls	
Somfy Situo RTS 1-Channel White.....	\$175
Somfy Situo RTS 5-Channel White.....	\$250
Somfy Telis RTS 1-Channel Silver or Lounge.....	\$275
Somfy Telis RTS 5-Channel Silver or Lounge.....	\$300
Somfy Telis 16-Channel Pure.....	\$600
Somfy Decoflex 1-Channel Pure	\$350
Somfy Decoflex 5-Channel Pure	\$375
Somfy Battery Tube, 12V, Reloadable	\$75
Somfy MyLink	\$700
Somfy URTSI	\$1,070
Somfy ST-30 Li-ion Recharger.....	\$40
Somfy Repeater.....	\$545

Control Options

Misc. Controls	
Extended Power Lead	\$30/foot

Hardware Options

Side Channel (Both Sides)	\$30/foot
---------------------------------	-----------

Fabric List [\(See fabric index page 31-32 for Fabric Grid listing\)](#)

Sorina XL Motorized (45QE RF) Bracket System Retail Pricing

		WIDTH												
Feet														
	3 ft.	4 ft.	5 ft.	6 ft.	7 ft.	8 ft.	9 ft.	10 ft.	11 ft.	12 ft.	13 ft.	14 ft.	15 ft.	
HEIGHT	Inches	36 in	48 in	60 in	72 in	84 in	96 in	108 in	120 in	132 in	144 in	156 in	168 in	180 in
	1 ft.	12 in.	\$1,032	\$1,080	\$1,128	\$1,176	\$1,225	\$1,273	\$1,321	\$1,369	\$1,417	\$1,464	\$1,512	\$1,560
2 ft.	24 in.	\$1,063	\$1,121	\$1,180	\$1,238	\$1,296	\$1,355	\$1,413	\$1,472	\$1,530	\$1,587	\$1,646	\$1,704	\$1,762
3 ft.	36 in.	\$1,094	\$1,162	\$1,231	\$1,300	\$1,368	\$1,437	\$1,506	\$1,574	\$1,643	\$1,710	\$1,779	\$1,848	\$1,916
4 ft.	48 in.	\$1,124	\$1,203	\$1,282	\$1,361	\$1,440	\$1,519	\$1,598	\$1,677	\$1,756	\$1,834	\$1,913	\$1,992	\$2,070
5 ft.	60 in.	\$1,155	\$1,244	\$1,334	\$1,423	\$1,512	\$1,601	\$1,690	\$1,780	\$1,869	\$1,957	\$2,046	\$2,135	\$2,224
6 ft.	72 in.	\$1,186	\$1,285	\$1,385	\$1,484	\$1,584	\$1,683	\$1,783	\$1,882	\$1,982	\$2,080	\$2,179	\$2,279	\$2,378
7 ft.	84 in.	\$1,217	\$1,326	\$1,436	\$1,546	\$1,656	\$1,765	\$1,875	\$1,985	\$2,095	\$2,203	\$2,313	\$2,423	\$2,532
8 ft.	96 in.	\$1,248	\$1,368	\$1,488	\$1,608	\$1,728	\$1,848	\$1,968	\$2,088	\$2,208	\$2,326	\$2,446	\$2,566	\$2,686
9 ft.	108 in.	\$1,278	\$1,409	\$1,539	\$1,669	\$1,799	\$1,930	\$2,060	\$2,190	\$2,320	\$2,450	\$2,580	\$2,710	\$2,840
10 ft.	120 in.	\$1,309	\$1,450	\$1,590	\$1,731	\$1,871	\$2,012	\$2,152	\$2,293	\$2,433	\$2,573	\$2,713	\$2,854	\$2,994
11 ft.	132 in.	\$1,340	\$1,491	\$1,642	\$1,792	\$1,943	\$2,094	\$2,245	\$2,396	\$2,546	\$2,696	\$2,847	\$2,998	\$3,148
12 ft.	144 in.	\$1,371	\$1,532	\$1,693	\$1,854	\$2,015	\$2,176	\$2,337	\$2,498	\$2,659	\$2,819	\$2,980	\$3,141	\$3,302
13 ft.	156 in.	\$1,402	\$1,573	\$1,744	\$1,916	\$2,087	\$2,258	\$2,430	\$2,601	\$2,772	\$2,942	\$3,114	\$3,285	\$3,456
14 ft.	168 in.	\$1,432	\$1,614	\$1,796	\$1,977	\$2,159	\$2,340	\$2,522	\$2,704	\$2,885	\$3,066	\$3,247	\$3,429	\$3,610
15 ft.	180 in.	\$1,463	\$1,655	\$1,847	\$2,039	\$2,231	\$2,422	\$2,614	\$2,806	\$2,998	\$3,189	\$3,381	\$3,572	\$3,764
16 ft.	192 in.	\$1,494	\$1,696	\$1,898	\$2,100	\$2,302	\$2,505	\$2,707	\$2,909	\$3,111	\$3,312	\$3,514	\$3,716	\$3,918
17 ft.	204 in.	\$1,525	\$1,737	\$1,950	\$2,162	\$2,374	\$2,587	\$2,799	\$3,011	\$3,224	\$3,435	\$3,648	\$3,860	\$4,072

Surcharges

Feet	3 ft.	4 ft.	5 ft.	6 ft.	7 ft.	8 ft.	9 ft.	10 ft.	11 ft.	12 ft.	13 ft.	14 ft.	15 ft.
Inches	36 in	48 in	60 in	72 in	84 in	96 in	108 in	120 in	132 in	144 in	156 in	168 in	180 in
Sill Channel	\$45	\$60	\$75	\$90	\$105	\$120	\$135	\$150	\$165	\$180	\$205	\$220	\$235
Sill Angle	\$24	\$32	\$40	\$48	\$56	\$64	\$72	\$80	\$88	\$96	\$104	\$112	\$120
Pocket Hanger	\$30	\$40	\$50	\$60	\$70	\$80	\$90	\$100	\$110	\$120	\$130	\$140	\$150
Pocket Closure	\$45	\$60	\$75	\$90	\$105	\$120	\$135	\$150	\$165	\$180	\$205	\$220	\$235
External Hembar	\$0	\$0	\$0	\$0	\$0	\$0	\$0	\$0	\$0	\$0	\$0	\$0	\$0
Hanging Valance	\$90	\$120	\$150	\$180	\$210	\$240	\$270	\$300	\$330	\$360	\$390	\$420	\$450

Note: Hanging valances are not available with returns.

Product Options and Surcharges

Motor Options

Somfy ST50 Quiet RTS (101.9542).....	\$480
Somfy ST50 ULTRA AC RTS (101.9543).....	\$565
Somfy ST50 ULTRA DC RTS (101.9551).....	\$715

Control Options

BTX Controls	
BTX Handsender 1 or 6-Channel White	\$125
BTX Wireless Wallswitch (2-Ch or 5-Ch).....	\$150
BTX SmartConnect RS-232 Interface	\$350
BTX Li-ion Recharger.....	\$50
Somfy Controls	
Somfy Situo RTS 1-Channel White.....	\$175
Somfy Situo RTS 5-Channel White.....	\$250
Somfy Telis RTS 1-Channel Silver or Lounge.....	\$275
Somfy Telis RTS 5-Channel Silver or Lounge.....	\$300
Somfy Telis 16-Channel Pure	\$600
Somfy Decoflex 1-Channel Pure	\$350
Somfy Decoflex 5-Channel Pure	\$375
Somfy Battery Tube, 12V, Reloadable	\$75
Somfy MyLink	\$700
Somfy URTSI	\$1,070
Somfy ST-30 Li-ion Recharger.....	\$40
Somfy Repeater.....	\$545

Control Options

Misc. Controls	
Extended Power Lead	\$30/foot

Hardware Options

Side Channel (Both Sides)	\$30/foot
---------------------------------	-----------

Fabric List *(See fabric index page 31-32 for Fabric Grid listing)*



Sorina XL Motorized (45QE RF) Bracket System Retail Pricing

		WIDTH												
Feet														
	3 ft.	4 ft.	5 ft.	6 ft.	7 ft.	8 ft.	9 ft.	10 ft.	11 ft.	12 ft.	13 ft.	14 ft.	15 ft.	
HEIGHT	Inches	36 in	48 in.	60 in.	72 in.	84 in.	96 in.	108 in.	120 in.	132 in.	144 in	156 in.	168 in	180 in.
	1 ft.	12 in.	\$1,058	\$1,114	\$1,171	\$1,228	\$1,284	\$1,341	\$1,398	\$1,454	\$1,511	\$1,567	\$1,623	\$1,680
2 ft.	24 in.	\$1,099	\$1,169	\$1,239	\$1,310	\$1,380	\$1,451	\$1,521	\$1,591	\$1,662	\$1,731	\$1,801	\$1,872	\$1,942
3 ft.	36 in.	\$1,140	\$1,224	\$1,308	\$1,392	\$1,476	\$1,560	\$1,644	\$1,728	\$1,812	\$1,895	\$1,979	\$2,063	\$2,147
4 ft.	48 in.	\$1,181	\$1,279	\$1,376	\$1,474	\$1,572	\$1,670	\$1,767	\$1,865	\$1,963	\$2,059	\$2,157	\$2,255	\$2,353
5 ft.	60 in.	\$1,222	\$1,333	\$1,445	\$1,556	\$1,668	\$1,779	\$1,891	\$2,002	\$2,113	\$2,224	\$2,335	\$2,447	\$2,558
6 ft.	72 in.	\$1,263	\$1,388	\$1,513	\$1,638	\$1,763	\$1,889	\$2,014	\$2,139	\$2,264	\$2,388	\$2,513	\$2,638	\$2,763
7 ft.	84 in.	\$1,304	\$1,443	\$1,582	\$1,720	\$1,859	\$1,998	\$2,137	\$2,276	\$2,415	\$2,552	\$2,691	\$2,830	\$2,969
8 ft.	96 in.	\$1,345	\$1,498	\$1,650	\$1,803	\$1,955	\$2,108	\$2,260	\$2,413	\$2,565	\$2,717	\$2,869	\$3,022	\$3,174
9 ft.	108 in.	\$1,386	\$1,552	\$1,719	\$1,885	\$2,051	\$2,217	\$2,383	\$2,550	\$2,716	\$2,881	\$3,047	\$3,213	\$3,379
10 ft.	120 in.	\$1,427	\$1,607	\$1,787	\$1,967	\$2,147	\$2,327	\$2,507	\$2,686	\$2,866	\$3,045	\$3,225	\$3,405	\$3,585
11 ft.	132 in.	\$1,468	\$1,662	\$1,855	\$2,049	\$2,243	\$2,436	\$2,630	\$2,823	\$3,017	\$3,209	\$3,403	\$3,596	\$3,790
12 ft.	144 in.	\$1,509	\$1,717	\$1,924	\$2,131	\$2,338	\$2,546	\$2,753	\$2,960	\$3,167	\$3,374	\$3,581	\$3,788	\$3,995
13 ft.	156 in.	\$1,550	\$1,771	\$1,992	\$2,213	\$2,434	\$2,655	\$2,876	\$3,097	\$3,318	\$3,538	\$3,759	\$3,980	\$4,201
14 ft.	168 in.	\$1,591	\$1,826	\$2,061	\$2,295	\$2,530	\$2,765	\$2,999	\$3,234	\$3,469	\$3,702	\$3,937	\$4,171	\$4,406
15 ft.	180 in.	\$1,633	\$1,881	\$2,129	\$2,378	\$2,626	\$2,874	\$3,122	\$3,371	\$3,619	\$3,866	\$4,115	\$4,363	\$4,611
16 ft.	192 in.	\$1,674	\$1,936	\$2,198	\$2,460	\$2,722	\$2,984	\$3,246	\$3,508	\$3,770	\$4,031	\$4,293	\$4,555	\$4,817
17 ft.	204 in.	\$1,715	\$1,990	\$2,266	\$2,542	\$2,817	\$3,093	\$3,369	\$3,645	\$3,920	\$4,195	\$4,471	\$4,746	\$5,022

Surcharges

Feet	3 ft.	4 ft.	5 ft.	6 ft.	7 ft.	8 ft.	9 ft.	10 ft.	11 ft.	12 ft.	13 ft.	14 ft.	15 ft.
Inches	36 in	48 in.	60 in.	72 in.	84 in.	96 in.	108 in.	120 in.	132 in.	144 in	156 in.	168 in	180 in.
Sill Channel	\$45	\$60	\$75	\$90	\$105	\$120	\$135	\$150	\$165	\$180	\$205	\$220	\$235
Sill Angle	\$24	\$32	\$40	\$48	\$56	\$64	\$72	\$80	\$88	\$96	\$104	\$112	\$120
Pocket Hanger	\$30	\$40	\$50	\$60	\$70	\$80	\$90	\$100	\$110	\$120	\$130	\$140	\$150
Pocket Closure	\$45	\$60	\$75	\$90	\$105	\$120	\$135	\$150	\$165	\$180	\$205	\$220	\$235
External Hembar	\$0	\$0	\$0	\$0	\$0	\$0	\$0	\$0	\$0	\$0	\$0	\$0	\$0
Hanging Valance	\$90	\$120	\$150	\$180	\$210	\$240	\$270	\$300	\$330	\$360	\$390	\$420	\$450

Note: Hanging valances are not available with returns.

Product Options and Surcharges

Motor Options

Somfy ST50 Quiet RTS (101.9542).....	\$480
Somfy ST50 ULTRA AC RTS (101.9543).....	\$565
Somfy ST50 ULTRA DC RTS (101.9551).....	\$715

Control Options

BTX Controls	
BTX Handsender 1 or 6-Channel White	\$125
BTX Wireless Wallswitch (2-Ch or 5-Ch).....	\$150
BTX SmartConnect RS-232 Interface	\$350
BTX Li-ion Recharger.....	\$50
Somfy Controls	
Somfy Situo RTS 1-Channel White.....	\$175
Somfy Situo RTS 5-Channel White.....	\$250
Somfy Telis RTS 1-Channel Silver or Lounge.....	\$275
Somfy Telis RTS 5-Channel Silver or Lounge.....	\$300
Somfy Telis 16-Channel Pure.....	\$600
Somfy Decoflex 1-Channel Pure	\$350
Somfy Decoflex 5-Channel Pure	\$375
Somfy Battery Tube, 12V, Reloadable	\$75
Somfy MyLink	\$700
Somfy URTSI.....	\$1,070
Somfy ST-30 Li-ion Recharger.....	\$40
Somfy Repeater.....	\$545

Control Options

Misc. Controls	
Extended Power Lead	\$30/foot

Hardware Options

Side Channel (Both Sides)	\$30/foot
---------------------------------	-----------

Fabric List [\(See fabric index page 31-32 for Fabric Grid listing\)](#)

Sorina XL Motorized (45QE RF) Bracket System Retail Pricing

		WIDTH												
Feet														
	3 ft.	4 ft.	5 ft.	6 ft.	7 ft.	8 ft.	9 ft.	10 ft.	11 ft.	12 ft.	13 ft.	14 ft.	15 ft.	
HEIGHT	Inches	36 in	48 in.	60 in.	72 in.	84 in.	96 in.	108 in.	120 in.	132 in.	144 in	156 in.	168 in	180 in.
	1 ft.	12 in.	\$1,083	\$1,149	\$1,214	\$1,279	\$1,344	\$1,410	\$1,475	\$1,540	\$1,605	\$1,669	\$1,735	\$1,800
2 ft.	24 in.	\$1,135	\$1,217	\$1,299	\$1,382	\$1,464	\$1,546	\$1,629	\$1,711	\$1,793	\$1,875	\$1,957	\$2,039	\$2,122
3 ft.	36 in.	\$1,186	\$1,285	\$1,385	\$1,484	\$1,584	\$1,683	\$1,783	\$1,882	\$1,982	\$2,080	\$2,179	\$2,279	\$2,378
4 ft.	48 in.	\$1,237	\$1,354	\$1,470	\$1,587	\$1,704	\$1,820	\$1,937	\$2,053	\$2,170	\$2,285	\$2,402	\$2,518	\$2,635
5 ft.	60 in.	\$1,289	\$1,422	\$1,556	\$1,690	\$1,823	\$1,957	\$2,091	\$2,224	\$2,358	\$2,491	\$2,624	\$2,758	\$2,892
6 ft.	72 in.	\$1,340	\$1,491	\$1,642	\$1,792	\$1,943	\$2,094	\$2,245	\$2,396	\$2,546	\$2,696	\$2,847	\$2,998	\$3,148
7 ft.	84 in.	\$1,391	\$1,559	\$1,727	\$1,895	\$2,063	\$2,231	\$2,399	\$2,567	\$2,735	\$2,901	\$3,069	\$3,237	\$3,405
8 ft.	96 in.	\$1,443	\$1,628	\$1,813	\$1,998	\$2,183	\$2,368	\$2,553	\$2,738	\$2,923	\$3,107	\$3,292	\$3,477	\$3,662
9 ft.	108 in.	\$1,494	\$1,696	\$1,898	\$2,100	\$2,302	\$2,505	\$2,707	\$2,909	\$3,111	\$3,312	\$3,514	\$3,716	\$3,918
10 ft.	120 in.	\$1,545	\$1,765	\$1,984	\$2,203	\$2,422	\$2,641	\$2,861	\$3,080	\$3,299	\$3,517	\$3,737	\$3,956	\$4,175
11 ft.	132 in.	\$1,597	\$1,833	\$2,069	\$2,306	\$2,542	\$2,778	\$3,015	\$3,251	\$3,487	\$3,723	\$3,959	\$4,195	\$4,432
12 ft.	144 in.	\$1,648	\$1,901	\$2,155	\$2,408	\$2,662	\$2,915	\$3,169	\$3,422	\$3,676	\$3,928	\$4,181	\$4,435	\$4,688
13 ft.	156 in.	\$1,699	\$1,970	\$2,240	\$2,511	\$2,782	\$3,052	\$3,323	\$3,593	\$3,864	\$4,133	\$4,404	\$4,674	\$4,945
14 ft.	168 in.	\$1,751	\$2,038	\$2,326	\$2,614	\$2,901	\$3,189	\$3,477	\$3,764	\$4,052	\$4,339	\$4,626	\$4,914	\$5,202
15 ft.	180 in.	\$1,802	\$2,107	\$2,411	\$2,716	\$3,021	\$3,326	\$3,631	\$3,935	\$4,240	\$4,544	\$4,849	\$5,153	\$5,458
16 ft.	192 in.	\$1,853	\$2,175	\$2,497	\$2,819	\$3,141	\$3,463	\$3,785	\$4,107	\$4,428	\$4,749	\$5,071	\$5,393	\$5,715
17 ft.	204 in.	\$1,905	\$2,244	\$2,583	\$2,922	\$3,261	\$3,600	\$3,939	\$4,278	\$4,617	\$4,955	\$5,294	\$5,633	\$5,972

Surcharges

Feet	3 ft.	4 ft.	5 ft.	6 ft.	7 ft.	8 ft.	9 ft.	10 ft.	11 ft.	12 ft.	13 ft.	14 ft.	15 ft.
Inches	36 in	48 in.	60 in.	72 in.	84 in.	96 in.	108 in.	120 in.	132 in.	144 in	156 in.	168 in	180 in.
Sill Channel	\$45	\$60	\$75	\$90	\$105	\$120	\$135	\$150	\$165	\$180	\$205	\$220	\$235
Sill Angle	\$24	\$32	\$40	\$48	\$56	\$64	\$72	\$80	\$88	\$96	\$104	\$112	\$120
Pocket Hanger	\$30	\$40	\$50	\$60	\$70	\$80	\$90	\$100	\$110	\$120	\$130	\$140	\$150
Pocket Closure	\$45	\$60	\$75	\$90	\$105	\$120	\$135	\$150	\$165	\$180	\$205	\$220	\$235
External Hembar	\$0	\$0	\$0	\$0	\$0	\$0	\$0	\$0	\$0	\$0	\$0	\$0	\$0
Hanging Valance	\$90	\$120	\$150	\$180	\$210	\$240	\$270	\$300	\$330	\$360	\$390	\$420	\$450

Note: Hanging valances are not available with returns.

Product Options and Surcharges

Motor Options

Somfy ST50 Quiet RTS (101.9542).....	\$480
Somfy ST50 ULTRA AC RTS (101.9543).....	\$565
Somfy ST50 ULTRA DC RTS (101.9551).....	\$715

Control Options

BTX Controls	
BTX Handsender 1 or 6-Channel White	\$125
BTX Wireless Wallswitch (2-Ch or 5-Ch).....	\$150
BTX SmartConnect RS-232 Interface	\$350
BTX Li-ion Recharger.....	\$50
Somfy Controls	
Somfy Situo RTS 1-Channel White.....	\$175
Somfy Situo RTS 5-Channel White.....	\$250
Somfy Telis RTS 1-Channel Silver or Lounge.....	\$275
Somfy Telis RTS 5-Channel Silver or Lounge.....	\$300
Somfy Telis 16-Channel Pure	\$600
Somfy Decoflex 1-Channel Pure	\$350
Somfy Decoflex 5-Channel Pure	\$375
Somfy Battery Tube, 12V, Reloadable	\$75
Somfy MyLink	\$700
Somfy URTSI	\$1,070
Somfy ST-30 Li-ion Recharger.....	\$40
Somfy Repeater.....	\$545

Control Options

Misc. Controls	
Extended Power Lead	\$30/foot

Hardware Options

Side Channel (Both Sides)	\$30/foot
---------------------------------	-----------

Fabric List [\(See fabric index page 31-32 for Fabric Grid listing\)](#)



BTX Intelligent Fashion carries a range of high-quality exterior shading solutions. Whether you're looking for manual or motorized exterior shades, BTX's Exo line of exterior shades is designed to last. With standard cassette, heavy duty cassette, and open-roll hardware variations, these are not your commodity-style products. Every manual system utilizes a reliable gearing and hand-crank for operation. Motorized systems use an exterior rated BTX 20Nm motor for reliability and power. These motors are also compatible with existing BTX interior products, so you can have a whole-home experience at the touch of a button.



There are three different types of exterior shading systems. The , ExoScreen HD, and ExoLite. Each version utilizes similar internal configuration components, with the main difference being the housing and aesthetics of the system. All three version can be made as manual or motorized, and each motorized system is compatible with existing interior shading products.



BTX ExoScreen

- Manual or Motorized
- Max width: 12 ft. - 18 ft. (144 in. - 216 in.) (dependent on control and material)
- Max height: 9 ft. - 16 ft. (108 in. - 192 in.) (dependent on control and material)
- 3 in. Steel Tube inside approx. 5 in. x 5 in. cassette
- Round or Square cassette
- Heavy Duty cable guide or ShyZip



BTX ExoScreen HD

- Manual or Motorized
- Max width: 18 ft. - 23 ft. (216 in. - 276 in.) (dependent on control and material)
- Max height: 12 ft. - 16 ft. (144 in. - 192 in.) (dependent on control and material)
- 3 in. Steel Tube inside 5.25 in. x 5.25 in. cassette
- Square cassette
- Heavy Duty cable guide or ShyZip



BTX ExoLite

- Manual or Motorized
- Max width: 18 ft. (216 in.) (dependent on control and material)
- Max height: 9 ft. - 16 ft. (108 in. - 192 in.) (dependent on control and material)
- 3 in. Steel Tube
- Heavy Duty cable guide or ShyZip

Before pricing your Exterior Shade system, you need to determine what type of system best suits your needs. Please consider the following:

- What type of fabric do you want?
 - If you require swatch samples, please contact the factory to check availability
 - Does your shade size exceed the fabric's roll width? Is the fabric railroadable?
- What type of control method are you looking for?
 - Manual: Crank
 - Motorized: Remote control, wall switch, third party integration, etc.
- What sizes do you need?
 - Maximum dimensions by system type are as follows: ExoScreen: 18' x 16', ExoScreen HD: 23' x 16', ExoLite: 18' x 16'
 - Maximum dimensions are dependent upon material selection and operation method
- What options are you looking for?
 - Curved or Square cassette, Cable Guides, ShyZip, etc.
 - Motor surcharges will include all the necessary hardware costs to change your system from manual to motorized

How to Price Manual Exterior Shade Systems

Exterior Shade systems are provided as complete assemblies with fabric, and are built to specification. See the steps below to see how to price out your systems:

- 1 Identify the type of hardware system you need (ExoScreen, ExoScreen HD, ExoLite), based on the size of your window and what accessory features you want.
- 2 Identify the type of fabric you want for your shade. Use the Fabric Index (page 128) to locate which pages your fabric grid can be found.
- 3 Round your shade dimensions up to the nearest foot and locate the corresponding price in the grid.

ExoScreen Manual Retail Pricing																	Price
		WIDTH															
Feet																	
	3 ft.	4 ft.	5 ft.	6 ft.	7 ft.	8 ft.	9 ft.	10 ft.	11ft	12 ft.	13 ft.	14 ft.	15 ft.	16 ft.	17 ft.	18 ft.	
Inches	36 in.	48 in.	60 in.	72 in.	84 in.	96 in.	108 in.	120 in.	132 in.	144 in.	156 in.	168 in.	180 in.	192 in.	204 in.	216 in.	
4 ft.	48 in.	\$764	\$819	\$903	\$988	\$1,072	\$1,159	\$1,264	\$1,363	\$1,465	\$1,569	\$1,669	\$1,770	\$1,872	\$1,976	\$2,076	\$2,178
5 ft.	60 in.	\$764	\$819	\$903	\$988	\$1,090	\$1,194	\$1,303	\$1,409	\$1,514	\$1,622	\$1,726	\$1,833	\$1,939	\$2,046	\$2,152	\$2,256
6 ft.	72 in.	\$764	\$819	\$903	\$1,011	\$1,120	\$1,231	\$1,342	\$1,453	\$1,562	\$1,676	\$1,784	\$1,895	\$2,004	\$2,118	\$2,229	\$2,337
7 ft.	84 in.	\$764	\$819	\$921	\$1,037	\$1,155	\$1,266	\$1,384	\$1,497	\$1,611	\$1,729	\$1,842	\$1,958	\$2,071	\$2,189	\$2,303	\$2,418
8 ft.	96 in.	\$764	\$819	\$921	\$1,037	\$1,155	\$1,266	\$1,384	\$1,497	\$1,611	\$1,729	\$1,842	\$1,958	\$2,071	\$2,189	\$2,303	\$2,418
9 ft.	108 in.	\$764	\$842	\$965	\$1,090	\$1,215	\$1,338	\$1,463	\$1,585	\$1,710	\$1,835	\$1,958	\$2,083	\$2,206	\$2,330	\$2,455	\$2,578

Note: Fabrics listed on the bottom of each pricing grid page may be marked with RR or S, this indicates whether the fabric can be Railroaded and/or Seamed. Fabric roll widths are also indicated.

How to Price Manual Exterior Shade Systems (continued)

- Using the same dimensions, add any surcharges you desire to your selected grid price.

Surcharges																Motorized ONLY	
Feet	3 ft.	4 ft.	5 ft.	6 ft.	7 ft.	8 ft.	9 ft.	10 ft.	11 ft.	12 ft.	13 ft.	14 ft.	15 ft.	16 ft.	17 ft.	18 ft.	
Inches	36 in.	48 in.	60 in.	72 in.	84 in.	96 in.	108 in.	120 in.	132 in.	144 in.	156 in.	168 in.	180 in.	192 in.	204 in.	216 in.	
Add-On Bar	\$76	\$97	\$118	\$146	\$167	\$187	\$215	\$236	\$257	\$285	\$305	\$326	\$354	\$375	\$403	\$424	
Wall Bracket	\$81	\$81	\$81	\$81	\$81	\$81	\$162	\$162	\$162	\$162	\$162	\$162	\$162	\$162	\$162	\$162	
Square Front	\$123	\$123	Example: Upgrading to wall brackets is priced out at your system width.									\$275	\$289	\$305	\$322	\$336	\$352

Note: If manual, you can use a magnetic crank up to 10 ft. Worm gear ONLY from 10 ft. to 16 ft.

How to Price Motorized Exterior Shade Systems

Price the manual system and add the motor upcharge cost.

- Follow all instructions for pricing a manual Exterior Shade, then proceed to step 2.
- Looking at the motor upcharge options, select the motor and control that best fits your scenario and add them to the grid price.

Product Options and Surcharges	
<p>Motor Options</p> <p>BTX 110V AC 45EX RF Motor\$750</p> <p><i>Example: Add \$750 to change from Manual to Motorized</i></p>	<p>Control Options</p> <p>Handsender (6-Channel White)</p> <p>Wireless Wallswitch (2-Ch or 5-Ch)</p> <p>Contact Closure Lead, 5 ft.</p>

For system requirements outside the listed specifications, give us a call to review options and availability.

How to Measure for Clear Vinyl with Borders

The maximum basic window size (without cut or weld) is limited to 54 in. x 108 in. and can be oriented in a horizontal or vertical direction*. The Dim (minimum width) for the border is 4 in.

Chart A: Vertical Window (Standard)

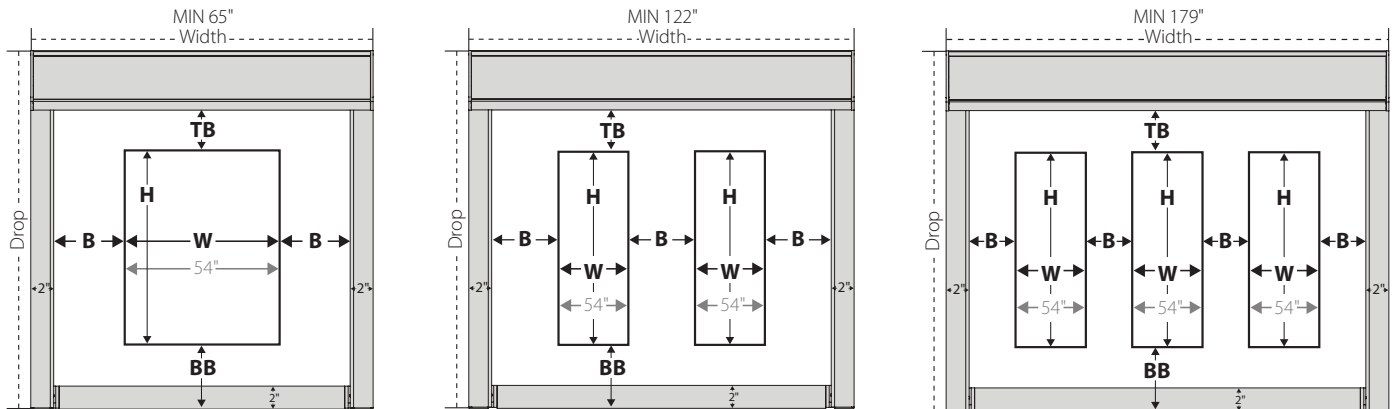


Chart B: Vertical Window (with Cuts)

Minimum width of any cut is 23 in.

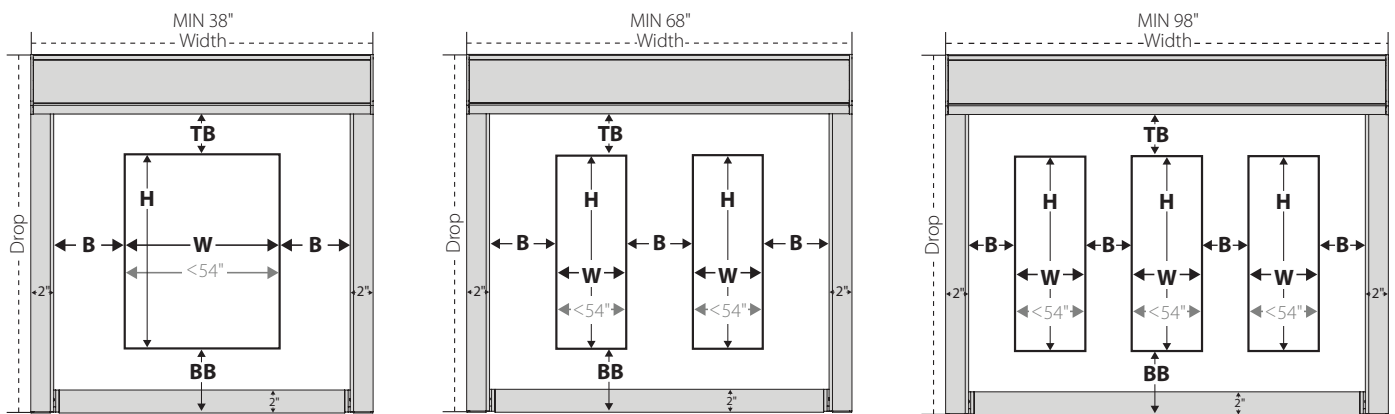


Chart C: Horizontal Window (Railroaded)

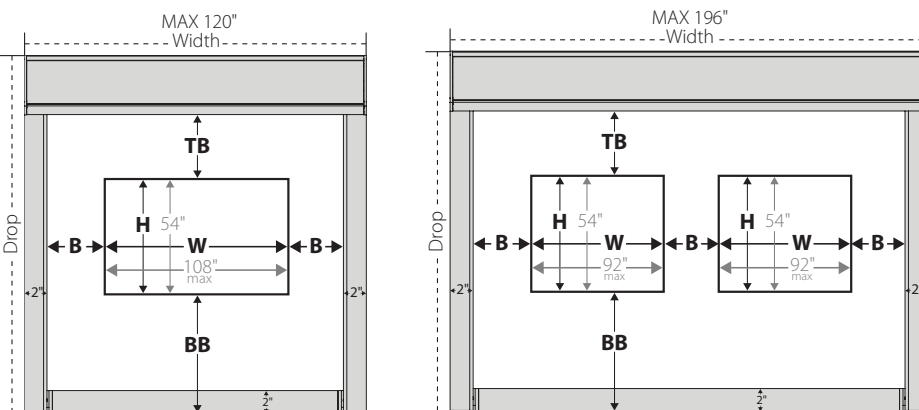
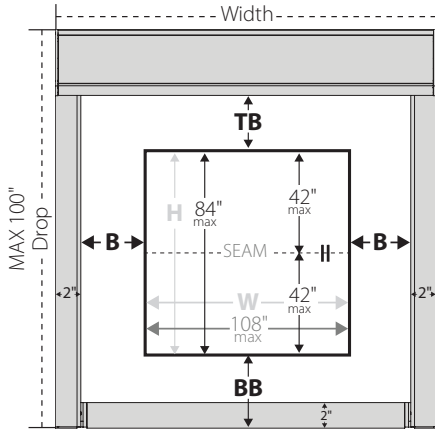


Chart D: Horizontal Window (Railroad with Seam)

When a clear vinyl fabric window has a weld, both top and bottom sections must be equal in dimension and seam will be in the exact middle of the window. An uncentered seam must be specially requested by customer and approved by Corradi. May require a signed warranty waiver for the full system.



How to Provide Measurements for Clear Vinyl Window Orders

Both Horizontal and Vertical measurements are required when ordering Clear Vinyl Window fabric for a screen.

Vertical measurements (Charts A & B) include from the bottom of the Headbox (top of the visible fabric) to the bottom of the bottom bar (which includes the bottom bar in the measurement).

Other than the visible height of the fabric (including the bottom bar), the vertical measurements necessary to order clear vinyl windows are: the height of the window, and/or the height of the bottom border.

Horizontal measurements (Charts C & D) include from edge of fabric to edge of fabric only. (GS40 Spring tracks account for approximately 4" of the full system width).

Other than the visible width of the fabric (not including the side tracks), the horizontal measurements necessary to order clear vinyl windows are: the border widths (mullions) and/or the window width(s). (All mullions/borders and windows will be centered or spaced evenly.)

Beyond Basic Measurements

*Beyond Basic Measurements

Basic width is 54" (clear vinyl roll width), so basic clear vinyl window measurements must be exactly 54" in width or height (depending on orientation) without cut or weld. If roll width must be cut or welded beyond basic measurements (see charts B & D), charges per window beyond specifications will apply. Also may require a signed warranty waiver for the full system.

Maximum size for windows beyond basic measurement range is 108" w x 84" d.

Cut for Vertical window width less than 54" = \$85 per cut per window.

Due to logistical reasons, cut widths of clear vinyl windows less than 53" can only be done in a vertical window.

Weld for Horizontal window width more than 54" = \$330 per weld per window. Due to logistical reasons, seamed clear vinyl windows can only be done in a horizontal window.

Grid Index

Price Grid	ExoScreen	ExoScreen HD	ExoLite
1	Pg 94	Pg 104	Pg 114
2	Pg 95	Pg 105	Pg 115
3	Pg 96	Pg 106	Pg 116
4	Pg 97	Pg 107	Pg 117
5	Pg 98	Pg 108	Pg 118

Twitchell

Textilene Nano 95.....	Grid 2
Textilene Nano 97.....	Grid 2

Phifer

Sheerweave 2000.....	Grid 2
Sheerweave 2100.....	Grid 2
Sheerweave 2360.....	Grid 3
Sheerweave 2390.....	Grid 3
Sheerweave 2410.....	Grid 3
Sheerweave 2500.....	Grid 3
Sheerweave 4000.....	Grid 2
Sheerweave 4100.....	Grid 2
Suntex 80.....	Grid 1
Suntex 90.....	Grid 1
Suntex 95.....	Grid 2
Tuffscreen.....	Grid 1
Tuffscreen No-see-um.....	Grid 1

Para

Tempotest Acrylic.....	Grid 2
Tempotest FR Acrylic.....	Grid 5
Tempotest Starscreen.....	Grid 4
Tempotest Solids FR.....	Grid 4

Ferrari

Ferrari 502 SATIN.....	Grid 4
Soltis B92-N.....	Grid 5
Soltis 86.....	Grid 3
Soltis 88.....	Grid 3
Soltis 92.....	Grid 3

Sunbrella

Sunbrella Standard.....	Grid 3
Sunbrella Premium.....	Grid 4

Fabric Specifications

Fabric Style	Opacity	INT/EXT	ExoScreen Gear - Max Drop	ExoScreen Motor - Max Drop	Roll Width	Brand
SW 2000	5%	INT/EXT	196	186	98 & 126	Phifer
SW 2100	10%	INT/EXT	196	186	98	Phifer
SW 2360	10%	INT/EXT	196	186	98	Phifer
SW 2390	5%	INT/EXT	196	186	98 & 126	Phifer
SW 2410	3%	INT/EXT	196	186	98 & 126	Phifer
SW 2500	1%	INT/EXT	196	150	98 & 126	Phifer
SW 4000	5%	INT/EXT	144	96	126	Phifer
SW 4100	10%	INT/EXT	144	96	98	Phifer
SW 4500	5%	INT/EXT	196	150	98	Phifer
Suntex 80	25%	INT/EXT	144	96	96	Phifer
Suntex 90	10%	INT/EXT	144	96	96 & 120	Phifer
Suntex 95	5%	INT/EXT	186	126	126	Phifer
TuffScreen	17x13 mesh	INT/EXT	196	150	120	Phifer
Insect Screen	18x14 mesh	EXT	196	186	108	Phifer
Tempotest Solids FR	Translucent	EXT	196	150	47	Para
Tempotest Starscreen	3.5%	INT/EXT	144	96	98	Para
Ferrari 502 Satin	Translucent	EXT	186	118	70	Ferrari
Soltis B92-N	Blackout	EXT	196	150	67	Ferrari
Soltis 86	14%	EXT	196	186	105	Ferrari
Ferrari Soltis 88	8%	INT	196	196	105	Ferrari
Soltis 92	14%	EXT	196	186	69 & 105	Ferrari
Sunbrella Standard	Translucent	EXT	196	N/A	N/A	Sunbrella
Sunbrella Premium	Translucent	EXT	196	N/A	N/A	Sunbrella
Twitchell Nano 95	5%	EXT	196	186	120	Twitchell
Twitchell Nano 97	4%	EXT	196	186	120	Twitchell

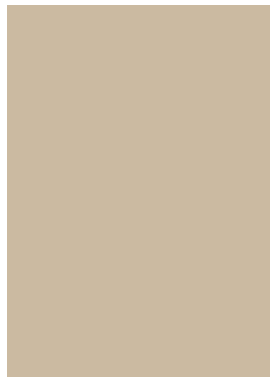
Manual Exterior Shade System Specifications

System	Tube Size	Max. Width	Max Drop	Operation Type	Cassette Size
ExoScreen	3 in.	192 in. Manual 216 in. Motorized	192 in.	Hand Crank	Approx. 4.5 in. x 4.75 in.
ExoScreen HD	3 in.	192 in. Manual 276 in. Motorized	192 in.	Hand Crank	5.25 in. x 5.25 in.
ExoLite	3 in.	192 in. Manual 216 in. Motorized	192 in.	Hand Crank	n/a

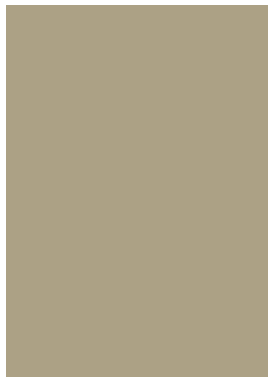
Motorized Exterior Shade System Specifications

System	Motor Desc	Part#	AC/DC	Wattage	Torque	Maximum Weight	Speed/RPM	Amperage	db rating	Limit Type	Built-in RF	Built-in Dry Contact	Max number of Turns	Motor Diameter	Motor Length
	BTX 45XE RF	101.8805	110V AC	300W	20 Nm	115 lbs	30 rpm	2.5 A	35 db	Electronic	Yes	Yes	Unlimited	45 mm	22 in.

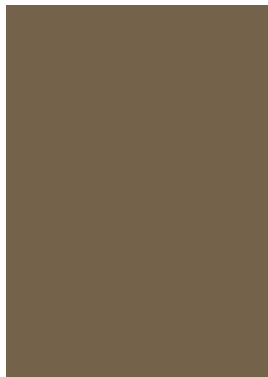
Hardware Color Options



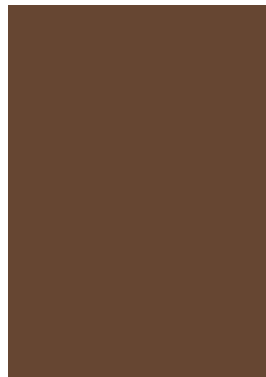
Beach Sand



Dune



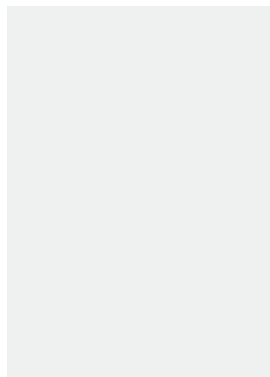
Granite



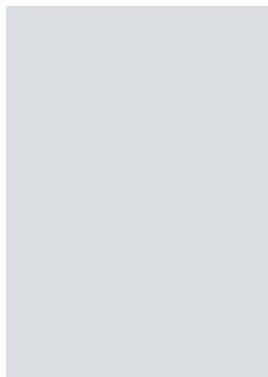
Corten



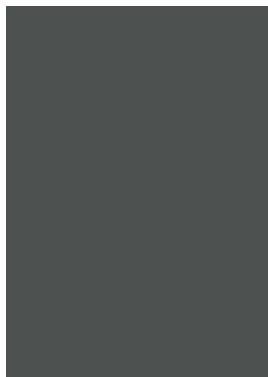
Urban Bronze



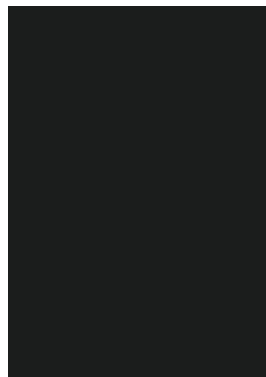
Quartz White



Glacier

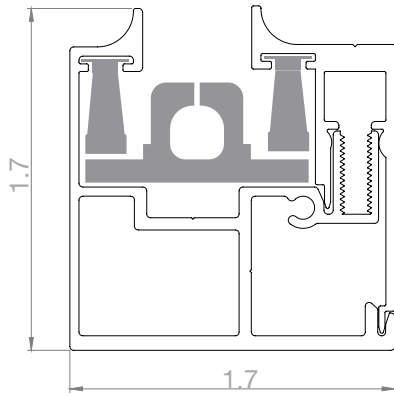


Anthracite



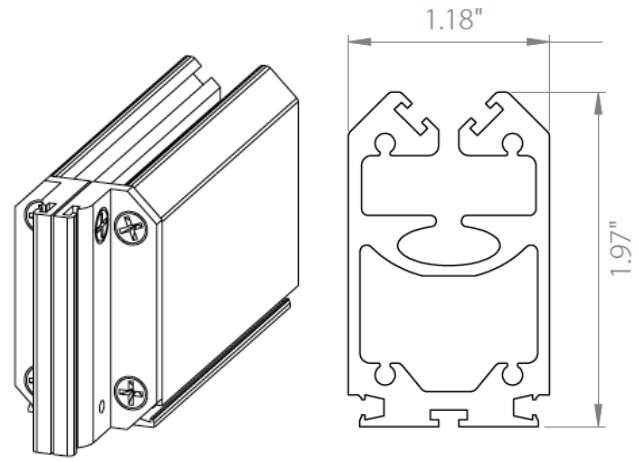
Carbon

ShyZip GS40 Spring Track



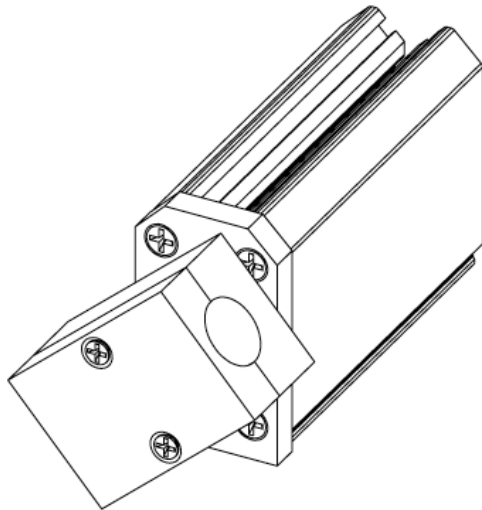
- Standard ZipTrack option
- Compatible with all exterior shades

ShyZip Bottom Bar



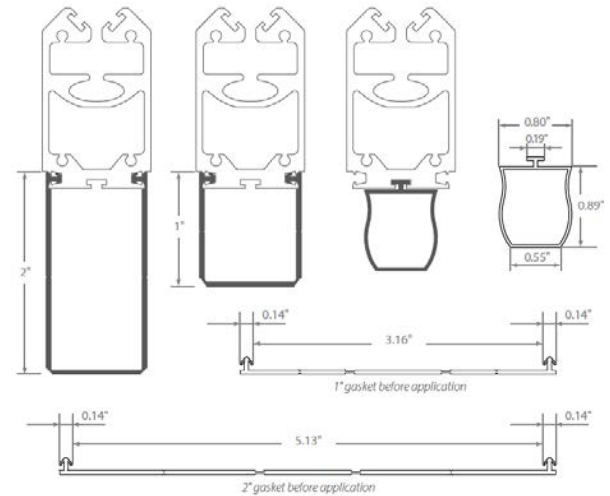
- Compatible with shades using ShyZip
- Approximate weight: 5 lbs./ft. with 2 pieces

Weight Bar with Rotating Cable Guide



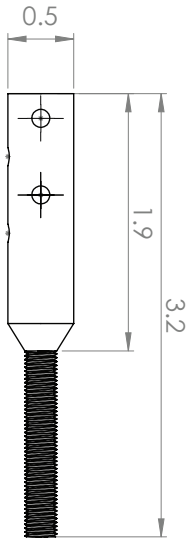
- Compatible with shades using ShyZip
- Approximate weight: 2.5 lbs./ft. with 1.375 in. rod weight
- Swivel design to accommodate cable installation

Rubber Gasket



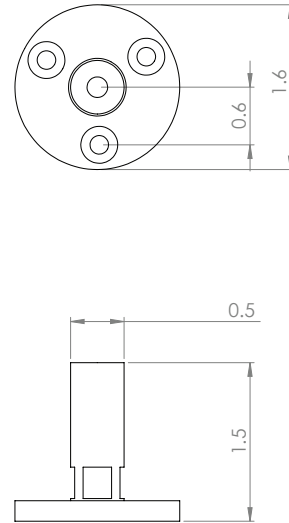
- 1", 2", and extruded Gasket Available
- Compatible with shades using ShyZip
- Attaches to bottom bar or add-on weight bar

Cable Guide/Tensioner Terminal Clamp



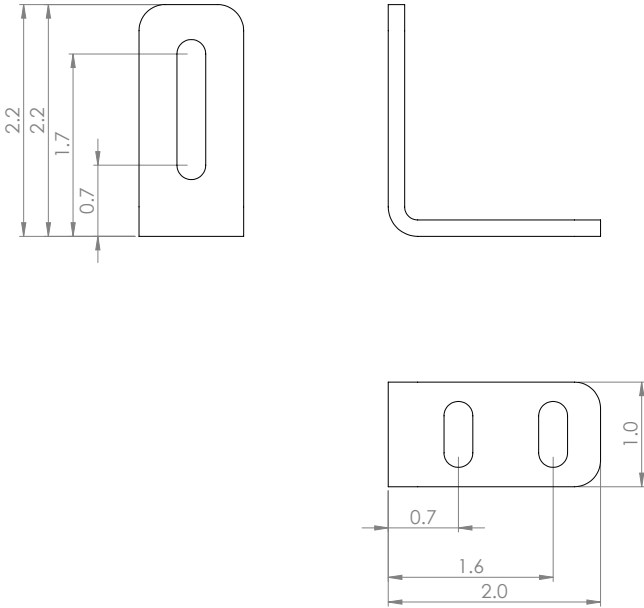
- Compatible with shades using the cable guide
- Holds cable guidewire tight and is adjustable

Cable Guide Floor Mount Bracket



- Compatible with shades using the cable guide
- Mounts cable guidewire to the floor

Cable Guide Wall Mount Bracket



- Compatible with shades using the cable guide
- Mounts cable guidewire to the wall



ExoScreen systems are available in both manual and motorized options and are ideal for exterior shading solutions. ExoScreens are built with a round or square enclosure that protects the hardware and presents a clean aesthetic in the environment. By automating your exterior shades, it's easy to make these products a functional and comprehensive design solution that combines the advantages of heat mitigation, ergonomics, and privacy.



ExoScreen Manual Exterior Shade System

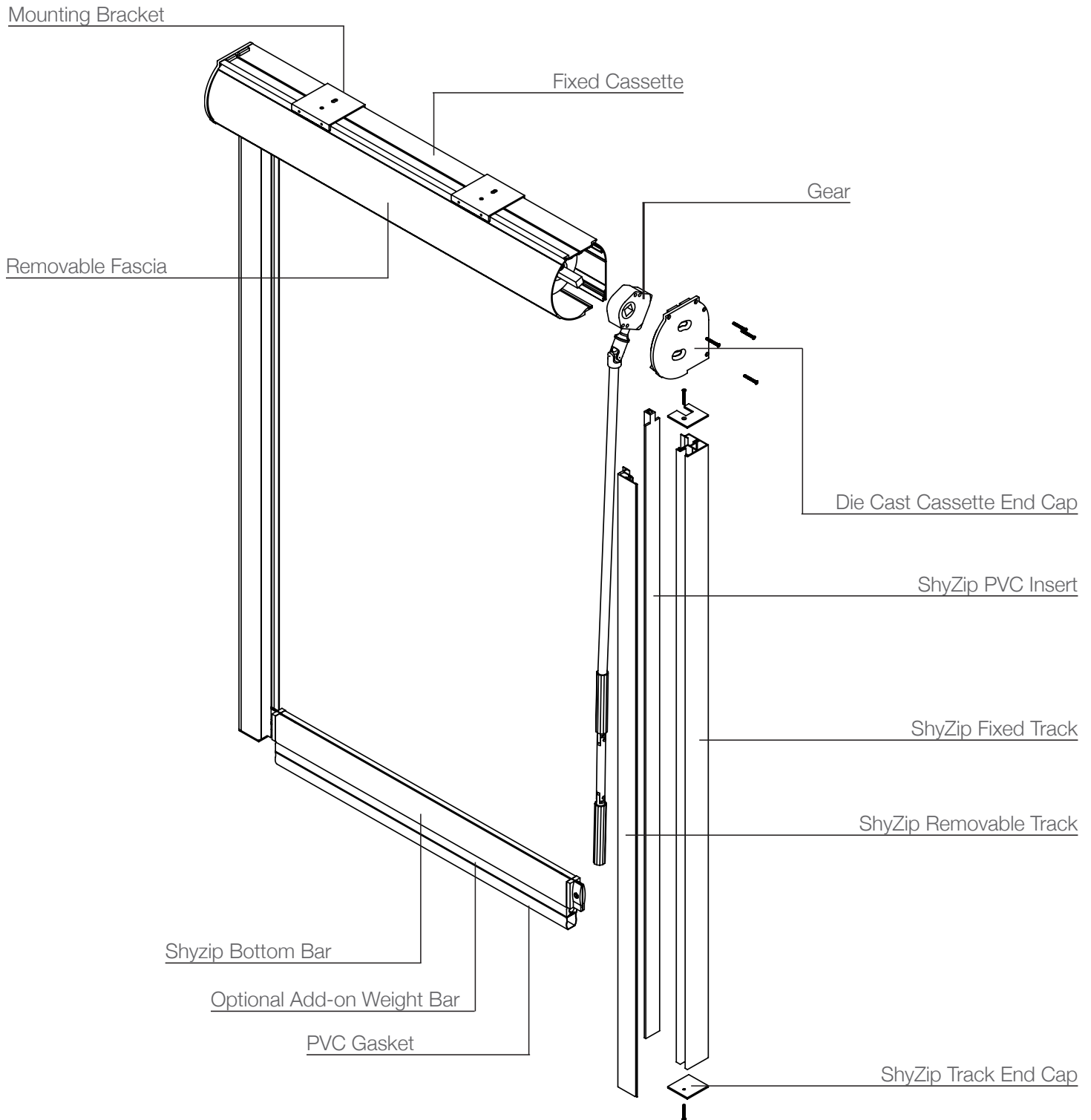
- Max size: 16 ft. by 16 ft. (depending on fabric weight)
- 3 in. tube with cassette
- Round or Square cassette options
- Option of ShyZip size zipper or cable guide



ExoScreen Motorized Exterior Shade System

- 110V AC 20Nm Motor with Electronic Limits
- Max size: 18 ft. by 16 ft. (depending on fabric weight)
- 3 in. tube with cassette
- Round or Square cassette options
- Option of ShyZip size zipper or cable guide

ExoScreen Exploded View

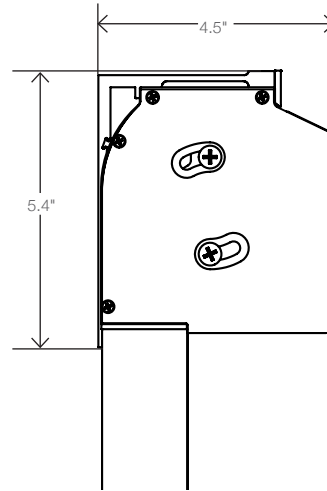
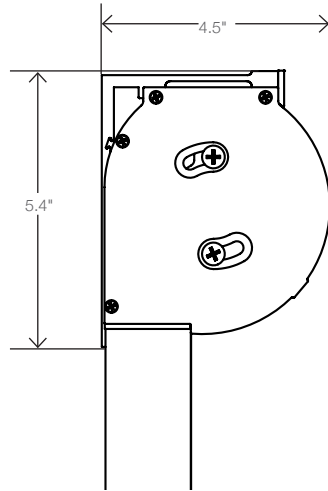
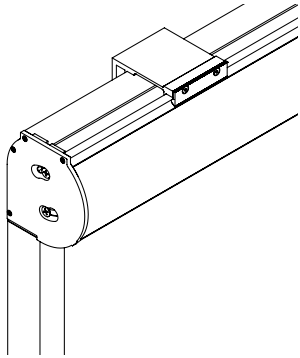


Wall Mount

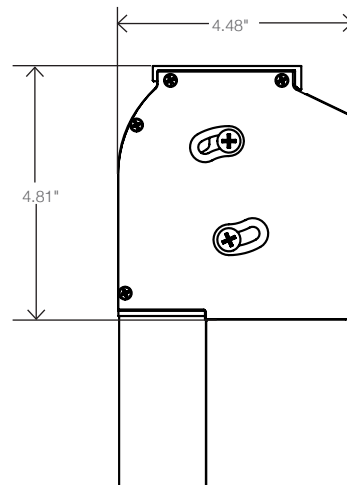
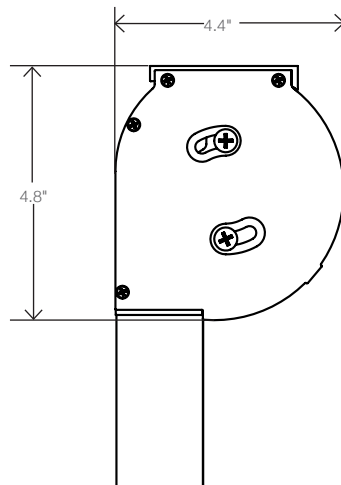
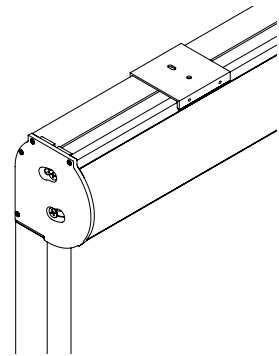
*L bracket color is clear anodized only.

Front locking plate matches color of the cassette.

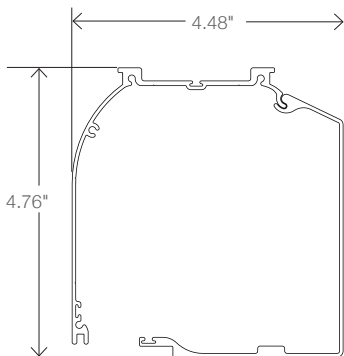
*Wall brackets include an extra charge.



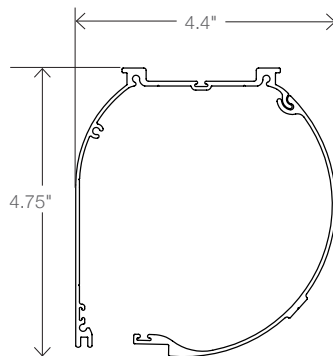
Ceiling Mount



Cassette Profiles



ExoScreen SQUARE CASSETTE



ExoScreen CASSETTE



ExoScreen Manual Retail Pricing

Feet		WIDTH																ShyZip	Cable Guide	
		3 ft.	4 ft.	5 ft.	6 ft.	7 ft.	8 ft.	9 ft.	10 ft.	11 ft.	12 ft.	13 ft.	14 ft.	15 ft.	16 ft.	17 ft.	18 ft.			
		Inches	36 in.	48 in.	60 in.	72 in.	84 in.	96 in.	108 in.	120 in.	132 in.	144 in.	156 in.	168 in.	180 in.	192 in.	204 in.			216 in.
HEIGHT	4 ft.	48 in.	\$ 1,034	\$ 1,142	\$ 1,247	\$ 1,356	\$ 1,466	\$ 1,585	\$ 1,714	\$ 1,844	\$ 1,975	\$ 2,105	\$ 2,255	\$ 2,403	\$ 2,553	\$ 2,709	\$ 2,814	\$ 2,967	\$ 319	\$ 390
	5 ft.	60 in.	\$ 1,034	\$ 1,142	\$ 1,247	\$ 1,356	\$ 1,495	\$ 1,630	\$ 1,767	\$ 1,899	\$ 2,036	\$ 2,176	\$ 2,329	\$ 2,484	\$ 2,640	\$ 2,801	\$ 2,917	\$ 3,070	\$ 393	\$ 390
	6 ft.	72 in.	\$ 1,034	\$ 1,142	\$ 1,247	\$ 1,390	\$ 1,535	\$ 1,675	\$ 1,817	\$ 1,957	\$ 2,099	\$ 2,244	\$ 2,405	\$ 2,566	\$ 2,727	\$ 2,891	\$ 3,012	\$ 3,173	\$ 464	\$ 390
	7 ft.	84 in.	\$ 1,034	\$ 1,142	\$ 1,276	\$ 1,424	\$ 1,572	\$ 1,720	\$ 1,870	\$ 2,015	\$ 2,163	\$ 2,313	\$ 2,482	\$ 2,645	\$ 2,811	\$ 2,983	\$ 3,109	\$ 3,278	\$ 551	\$ 404
	8 ft.	96 in.	\$ 1,034	\$ 1,153	\$ 1,305	\$ 1,456	\$ 1,614	\$ 1,767	\$ 1,920	\$ 2,073	\$ 2,226	\$ 2,382	\$ 2,553	\$ 2,724	\$ 2,898	\$ 3,075	\$ 3,210	\$ 3,378	\$ 625	\$ 404
	9 ft.	108 in.	\$ 1,034	\$ 1,176	\$ 1,335	\$ 1,490	\$ 1,654	\$ 1,815	\$ 1,973	\$ 2,131	\$ 2,287	\$ 2,450	\$ 2,629	\$ 2,806	\$ 2,985	\$ 3,165	\$ 3,305	\$ 3,484	\$ 683	\$ 404
	10 ft.	120 in.	\$ 0	\$ 1,200	\$ 1,361	\$ 1,527	\$ 1,693	\$ 1,859	\$ 2,025	\$ 2,186	\$ 2,353	\$ 2,519	\$ 2,703	\$ 2,885	\$ 3,070	\$ 3,260	\$ 3,402	\$ 3,587	\$ 783	\$ 433
	11 ft.	132 in.	\$ 0	\$ 1,224	\$ 1,390	\$ 1,561	\$ 1,735	\$ 1,907	\$ 2,076	\$ 2,244	\$ 2,416	\$ 2,590	\$ 2,777	\$ 2,967	\$ 3,157	\$ 3,352	\$ 3,500	\$ 3,690	\$ 841	\$ 433
	12 ft.	144 in.	\$ 0	\$ 1,245	\$ 1,419	\$ 1,596	\$ 1,775	\$ 1,949	\$ 2,128	\$ 2,302	\$ 2,479	\$ 2,656	\$ 2,851	\$ 3,049	\$ 3,244	\$ 3,442	\$ 3,597	\$ 3,793	\$ 915	\$ 462
	13 ft.	156 in.	\$ 0	\$ 0	\$ 1,448	\$ 1,630	\$ 1,817	\$ 1,996	\$ 2,178	\$ 2,360	\$ 2,540	\$ 2,727	\$ 2,927	\$ 3,128	\$ 3,328	\$ 3,534	\$ 3,698	\$ 3,895	\$ 1,002	\$ 462
	14 ft.	168 in.	\$ 0	\$ 0	\$ 1,477	\$ 1,664	\$ 1,854	\$ 2,044	\$ 2,231	\$ 2,416	\$ 2,603	\$ 2,796	\$ 3,004	\$ 3,207	\$ 3,415	\$ 3,626	\$ 3,793	\$ 3,998	\$ 1,089	\$ 462
	15 ft.	180 in.	\$ 0	\$ 0	\$ 1,506	\$ 1,701	\$ 1,894	\$ 2,089	\$ 2,284	\$ 2,474	\$ 2,666	\$ 2,864	\$ 3,075	\$ 3,289	\$ 3,502	\$ 3,716	\$ 3,890	\$ 4,104	\$ 1,147	\$ 462
	16 ft.	192 in.	\$ 0	\$ 0	\$ 0	\$ 1,733	\$ 1,936	\$ 2,136	\$ 2,334	\$ 2,532	\$ 2,732	\$ 2,933	\$ 3,152	\$ 3,371	\$ 3,587	\$ 3,811	\$ 3,990	\$ 4,207	\$ 1,218	\$ 462

Note: Manual gear up to 16 ft. Motorized Only after 16 ft.
 Standard Colors: White Quartz, Glacier, Anthracite, Carbon, Urban Bronze, Corten, Granite, Dune, Beach Sand.

Surcharges

Feet	3 ft.	4 ft.	5 ft.	6 ft.	7 ft.	8 ft.	9 ft.	10 ft.	11 ft.	12 ft.	13 ft.	14 ft.	15 ft.	16 ft.	17 ft.	18 ft.
Inches	36 in.	48 in.	60 in.	72 in.	84 in.	96 in.	108 in.	120 in.	132 in.	144 in.	156 in.	168 in.	180 in.	192 in.	204 in.	216 in.
Wall Bracket	\$103	\$103	\$103	\$103	\$103	\$103	\$203	\$203	\$203	\$203	\$203	\$203	\$203	\$203	\$203	\$203
Square Front	\$161	\$174	\$190	\$219	\$232	\$261	\$290	\$319	\$335	\$364	\$393	\$422	\$451	\$464	\$493	\$522

Product Options and Surcharges

Motor Options	
BTX 110V AC 45XE RF Motor	\$500
Somfy RTS.....	\$965
Hardware Options	
Custom Powder Coat	Call of Quote

Control Options	
BTX Controls	
BTX Handsender 1 or 6-Channel White	\$125
BTX Wireless Wallswitch (2-Ch or 5-Ch).....	\$150
BTX SmartConnect RS-232 Interface	\$350
BTX Li-ion Recharger.....	\$50
Somfy Controls	
Somfy Situo RTS 1-Channel White.....	\$175
Somfy Situo RTS 5-Channel White.....	\$250
Somfy Telis RTS 1-Channel Silver or Lounge.....	\$275
Somfy Telis RTS 5-Channel Silver or Lounge.....	\$300
Somfy Telis 16-Channel Pure	\$600
Somfy Decoflex 1-Channel Pure	\$350
Somfy Decoflex 5-Channel Pure	\$375
Somfy Battery Tube, 12V, Reloadable	\$75
Somfy MyLink	\$700
Somfy URTSI	\$1,070
Somfy ST-30 Li-ion Recharger.....	\$40
Somfy Repeater.....	\$545

Fabric List (See fabric index page 85 for Fabric Grid listing)



ExoScreen Manual Retail Pricing

HEIGHT		WIDTH																ShyZip	Cable Guide	
		Feet	3 ft.	4 ft.	5 ft.	6 ft.	7 ft.	8 ft.	9 ft.	10 ft.	11 ft.	12 ft.	13 ft.	14 ft.	15 ft.	16 ft.	17 ft.			18 ft.
		Inches	36 in	48 in.	60 in.	72 in.	84 in.	96 in.	108 in.	120 in.	132 in.	144 in	156 in.	168 in.	180 in.	192 in.	204 in.			216 in.
4 ft.	48 in.	\$ 1,160	\$ 1,229	\$ 1,335	\$ 1,443	\$ 1,575	\$ 1,725	\$ 1,873	\$ 2,018	\$ 2,165	\$ 2,316	\$ 2,484	\$ 2,651	\$ 2,817	\$ 2,988	\$ 3,117	\$ 3,284	\$ 319	\$ 390	
5 ft.	60 in.	\$ 1,160	\$ 1,229	\$ 1,335	\$ 1,485	\$ 1,648	\$ 1,804	\$ 1,965	\$ 2,118	\$ 2,279	\$ 2,440	\$ 2,616	\$ 2,793	\$ 2,970	\$ 3,152	\$ 3,291	\$ 3,465	\$ 393	\$ 390	
6 ft.	72 in.	\$ 1,160	\$ 1,229	\$ 1,377	\$ 1,545	\$ 1,717	\$ 1,886	\$ 2,055	\$ 2,221	\$ 2,389	\$ 2,561	\$ 2,748	\$ 2,935	\$ 3,123	\$ 3,315	\$ 3,460	\$ 3,647	\$ 464	\$ 390	
7 ft.	84 in.	\$ 1,160	\$ 1,253	\$ 1,429	\$ 1,606	\$ 1,791	\$ 1,967	\$ 2,147	\$ 2,321	\$ 2,503	\$ 2,682	\$ 2,880	\$ 3,078	\$ 3,276	\$ 3,476	\$ 3,634	\$ 3,832	\$ 551	\$ 404	
8 ft.	96 in.	\$ 1,160	\$ 1,292	\$ 1,480	\$ 1,667	\$ 1,859	\$ 2,049	\$ 2,236	\$ 2,424	\$ 2,614	\$ 2,804	\$ 3,012	\$ 3,218	\$ 3,426	\$ 3,640	\$ 3,806	\$ 4,014	\$ 625	\$ 404	
9 ft.	108 in.	\$ 1,160	\$ 1,335	\$ 1,532	\$ 1,730	\$ 1,933	\$ 2,131	\$ 2,331	\$ 2,524	\$ 2,724	\$ 2,925	\$ 3,144	\$ 3,360	\$ 3,579	\$ 3,800	\$ 3,980	\$ 4,196	\$ 683	\$ 404	
10 ft.	120 in.	\$ 0	\$ 1,374	\$ 1,580	\$ 1,791	\$ 2,002	\$ 2,210	\$ 2,421	\$ 2,627	\$ 2,835	\$ 3,049	\$ 3,276	\$ 3,502	\$ 3,732	\$ 3,964	\$ 4,151	\$ 4,381	\$ 783	\$ 433	
11 ft.	132 in.	\$ 0	\$ 1,414	\$ 1,633	\$ 1,851	\$ 2,076	\$ 2,292	\$ 2,513	\$ 2,727	\$ 2,949	\$ 3,170	\$ 3,410	\$ 3,645	\$ 3,885	\$ 4,127	\$ 4,325	\$ 4,563	\$ 841	\$ 433	
12 ft.	144 in.	\$ 0	\$ 1,456	\$ 1,683	\$ 1,912	\$ 2,144	\$ 2,374	\$ 2,603	\$ 2,830	\$ 3,059	\$ 3,291	\$ 3,539	\$ 3,787	\$ 4,035	\$ 4,288	\$ 4,497	\$ 4,745	\$ 915	\$ 462	
13 ft.	156 in.	\$ 0	\$ 0	\$ 1,735	\$ 1,973	\$ 2,215	\$ 2,455	\$ 2,695	\$ 2,930	\$ 3,173	\$ 3,413	\$ 3,674	\$ 3,930	\$ 4,188	\$ 4,452	\$ 4,671	\$ 4,927	\$ 1,002	\$ 462	
14 ft.	168 in.	\$ 0	\$ 0	\$ 1,783	\$ 2,033	\$ 2,287	\$ 2,537	\$ 2,785	\$ 3,033	\$ 3,284	\$ 3,534	\$ 3,803	\$ 4,072	\$ 4,341	\$ 4,613	\$ 4,842	\$ 5,111	\$ 1,089	\$ 462	
15 ft.	180 in.	\$ 0	\$ 0	\$ 1,836	\$ 2,094	\$ 2,358	\$ 2,616	\$ 2,877	\$ 3,133	\$ 3,397	\$ 3,658	\$ 3,938	\$ 4,215	\$ 4,494	\$ 4,776	\$ 5,016	\$ 5,293	\$ 1,147	\$ 462	
16 ft.	192 in.	\$ 0	\$ 0	\$ 0	\$ 2,155	\$ 2,429	\$ 2,698	\$ 2,970	\$ 3,236	\$ 3,505	\$ 3,779	\$ 4,067	\$ 4,357	\$ 4,644	\$ 4,940	\$ 5,188	\$ 5,475	\$ 1,218	\$ 462	

Note: Manual gear up to 16 ft. Motorized Only after 16 ft.
 Standard Colors: White Quartz, Glacier, Anthracite, Carbon, Urban Bronze, Corten, Granite, Dune, Beach Sand.

Surcharges

Feet	3 ft.	4 ft.	5 ft.	6 ft.	7 ft.	8 ft.	9 ft.	10 ft.	11 ft.	12 ft.	13 ft.	14 ft.	15 ft.	16 ft.	17 ft.	18 ft.
Inches	36 in	48 in.	60 in.	72 in.	84 in.	96 in.	108 in.	120 in.	132 in.	144 in	156 in.	168 in.	180 in.	192 in.	204 in.	216 in.
Wall Bracket	\$103	\$103	\$103	\$103	\$103	\$103	\$203	\$203	\$203	\$203	\$203	\$203	\$203	\$203	\$203	\$203
Square Front	\$161	\$174	\$190	\$219	\$232	\$261	\$290	\$319	\$335	\$364	\$393	\$422	\$451	\$464	\$493	\$522

Product Options and Surcharges

Motor Options

BTX 110V AC 45XE RF Motor	\$500
Somfy RTS.....	\$965

Hardware Options

Custom Powder Coat	Call of Quote
--------------------------	---------------

Control Options

BTX Controls	
BTX Handsender 1 or 6-Channel White	\$125
BTX Wireless Wallswitch (2-Ch or 5-Ch).....	\$150
BTX SmartConnect RS-232 Interface	\$350
BTX Li-ion Recharger.....	\$50
Somfy Controls	
Somfy Situo RTS 1-Channel White.....	\$175
Somfy Situo RTS 5-Channel White.....	\$250
Somfy Telis RTS 1-Channel Silver or Lounge.....	\$275
Somfy Telis RTS 5-Channel Silver or Lounge.....	\$300
Somfy Telis 16-Channel Pure	\$600
Somfy Decoflex 1-Channel Pure	\$350
Somfy Decoflex 5-Channel Pure	\$375
Somfy Battery Tube, 12V, Reloadable	\$75
Somfy MyLink	\$700
Somfy URTSI	\$1,070
Somfy ST-30 Li-ion Recharger.....	\$40
Somfy Repeater.....	\$545

Fabric List (See fabric index page 85 for Fabric Grid listing)



ExoScreen Manual Retail Pricing

		WIDTH																ShyZip	Cable Guide	
Feet																				
	3 ft.	4 ft.	5 ft.	6 ft.	7 ft.	8 ft.	9 ft.	10 ft.	11 ft.	12 ft.	13 ft.	14 ft.	15 ft.	16 ft.	17 ft.	18 ft.				
Inches	36 in.	48 in.	60 in.	72 in.	84 in.	96 in.	108 in.	120 in.	132 in.	144 in.	156 in.	168 in.	180 in.	192 in.	204 in.	216 in.				
HEIGHT	4 ft.	48 in.	\$ 1,319	\$ 1,374	\$ 1,480	\$ 1,588	\$ 1,738	\$ 1,909	\$ 2,081	\$ 2,250	\$ 2,421	\$ 2,595	\$ 2,785	\$ 2,975	\$ 3,165	\$ 3,360	\$ 3,510	\$ 3,700	\$ 319	\$ 390
	5 ft.	60 in.	\$ 1,319	\$ 1,374	\$ 1,480	\$ 1,659	\$ 1,060	\$ 2,036	\$ 2,226	\$ 2,408	\$ 2,598	\$ 2,788	\$ 2,993	\$ 3,199	\$ 3,402	\$ 3,616	\$ 3,779	\$ 3,988	\$ 393	\$ 390
	6 ft.	72 in.	\$ 1,319	\$ 1,374	\$ 1,551	\$ 1,754	\$ 1,962	\$ 2,165	\$ 2,368	\$ 2,569	\$ 2,772	\$ 2,978	\$ 3,199	\$ 3,421	\$ 3,645	\$ 3,872	\$ 4,054	\$ 4,275	\$ 464	\$ 390
	7 ft.	84 in.	\$ 1,319	\$ 1,414	\$ 1,633	\$ 1,851	\$ 2,076	\$ 2,292	\$ 2,513	\$ 2,727	\$ 2,946	\$ 3,170	\$ 3,405	\$ 3,645	\$ 3,882	\$ 4,127	\$ 4,323	\$ 4,563	\$ 551	\$ 404
	8 ft.	96 in.	\$ 1,319	\$ 1,480	\$ 1,712	\$ 1,946	\$ 2,184	\$ 2,421	\$ 2,656	\$ 2,888	\$ 3,123	\$ 3,360	\$ 3,616	\$ 3,869	\$ 4,122	\$ 4,381	\$ 4,597	\$ 4,847	\$ 625	\$ 404
	9 ft.	108 in.	\$ 1,319	\$ 1,543	\$ 1,793	\$ 2,041	\$ 2,297	\$ 2,548	\$ 2,798	\$ 3,046	\$ 3,297	\$ 3,553	\$ 3,822	\$ 4,093	\$ 4,360	\$ 4,634	\$ 4,866	\$ 5,135	\$ 683	\$ 404
	10 ft.	120 in.	\$ 0	\$ 1,606	\$ 1,870	\$ 2,139	\$ 2,408	\$ 2,674	\$ 2,943	\$ 3,207	\$ 3,473	\$ 3,745	\$ 4,030	\$ 4,315	\$ 4,597	\$ 4,890	\$ 5,135	\$ 5,420	\$ 783	\$ 433
	11 ft.	132 in.	\$ 0	\$ 1,669	\$ 1,952	\$ 2,234	\$ 2,519	\$ 2,804	\$ 3,086	\$ 3,365	\$ 3,647	\$ 3,935	\$ 4,236	\$ 4,536	\$ 4,840	\$ 5,145	\$ 5,409	\$ 5,707	\$ 841	\$ 433
	12 ft.	144 in.	\$ 0	\$ 1,733	\$ 2,031	\$ 2,329	\$ 2,632	\$ 2,930	\$ 3,231	\$ 3,526	\$ 3,824	\$ 4,125	\$ 4,441	\$ 4,760	\$ 5,077	\$ 5,399	\$ 5,678	\$ 5,995	\$ 915	\$ 462
	13 ft.	156 in.	\$ 0	\$ 0	\$ 2,113	\$ 2,426	\$ 2,743	\$ 3,059	\$ 3,371	\$ 3,684	\$ 3,998	\$ 4,315	\$ 4,650	\$ 4,982	\$ 5,317	\$ 5,655	\$ 5,947	\$ 6,282	\$ 1,002	\$ 462
	14 ft.	168 in.	\$ 0	\$ 0	\$ 2,189	\$ 2,521	\$ 2,854	\$ 3,186	\$ 3,516	\$ 3,845	\$ 4,172	\$ 4,507	\$ 4,855	\$ 5,206	\$ 5,554	\$ 5,910	\$ 6,222	\$ 6,570	\$ 1,089	\$ 462
	15 ft.	180 in.	\$ 0	\$ 0	\$ 2,268	\$ 2,616	\$ 2,964	\$ 3,313	\$ 3,658	\$ 4,001	\$ 4,349	\$ 4,700	\$ 5,066	\$ 5,430	\$ 5,794	\$ 6,166	\$ 6,491	\$ 6,857	\$ 1,147	\$ 462
	16 ft.	192 in.	\$ 0	\$ 0	\$ 0	\$ 2,711	\$ 3,078	\$ 3,442	\$ 3,800	\$ 4,162	\$ 4,523	\$ 4,890	\$ 5,272	\$ 5,652	\$ 6,034	\$ 6,422	\$ 6,762	\$ 7,142	\$ 1,218	\$ 462

Note: Manual gear up to 16 ft. Motorized Only after 16 ft.
 Standard Colors: White Quartz, Glacier, Anthracite, Carbon, Urban Bronze, Corten, Granite, Dune, Beach Sand.

Surcharges

Feet	3 ft.	4 ft.	5 ft.	6 ft.	7 ft.	8 ft.	9 ft.	10 ft.	11 ft.	12 ft.	13 ft.	14 ft.	15 ft.	16 ft.	17 ft.	18 ft.
Inches	36 in.	48 in.	60 in.	72 in.	84 in.	96 in.	108 in.	120 in.	132 in.	144 in.	156 in.	168 in.	180 in.	192 in.	204 in.	216 in.
Wall Bracket	\$103	\$103	\$103	\$103	\$103	\$103	\$203	\$203	\$203	\$203	\$203	\$203	\$203	\$203	\$203	\$203
Square Front	\$161	\$174	\$190	\$219	\$232	\$261	\$290	\$319	\$335	\$364	\$393	\$422	\$451	\$464	\$493	\$522

Product Options and Surcharges

Motor Options	
BTX 110V AC 45XE RF Motor	\$500
Somfy RTS.....	\$965
Hardware Options	
Custom Powder Coat	Call of Quote

Control Options	
BTX Controls	
BTX Handsender 1 or 6-Channel White	\$125
BTX Wireless Wallswitch (2-Ch or 5-Ch).....	\$150
BTX SmartConnect RS-232 Interface	\$350
BTX Li-ion Recharger.....	\$50
Somfy Controls	
Somfy Situo RTS 1-Channel White.....	\$175
Somfy Situo RTS 5-Channel White.....	\$250
Somfy Telis RTS 1-Channel Silver or Lounge.....	\$275
Somfy Telis RTS 5-Channel Silver or Lounge.....	\$300
Somfy Telis 16-Channel Pure	\$600
Somfy Decoflex 1-Channel Pure	\$350
Somfy Decoflex 5-Channel Pure	\$375
Somfy Battery Tube, 12V, Reloadable	\$75
Somfy MyLink	\$700
Somfy URTSI	\$1,070
Somfy ST-30 Li-ion Recharger.....	\$40
Somfy Repeater.....	\$545

Fabric List (See fabric index page 85 for Fabric Grid listing)



ExoScreen Manual Retail Pricing

HEIGHT		WIDTH																ShyZip	Cable Guide	
		Feet	3 ft.	4 ft.	5 ft.	6 ft.	7 ft.	8 ft.	9 ft.	10 ft.	11 ft.	12 ft.	13 ft.	14 ft.	15 ft.	16 ft.	17 ft.			18 ft.
		Inches	36 in.	48 in.	60 in.	72 in.	84 in.	96 in.	108 in.	120 in.	132 in.	144 in.	156 in.	168 in.	180 in.	192 in.	204 in.			216 in.
4 ft.	48 in.	\$ 1,451	\$ 1,477	\$ 1,580	\$ 1,688	\$ 1,846	\$ 2,031	\$ 2,218	\$ 2,403	\$ 2,590	\$ 2,777	\$ 2,983	\$ 3,189	\$ 3,394	\$ 3,605	\$ 3,769	\$ 3,975	\$ 319	\$ 390	
5 ft.	60 in.	\$ 1,451	\$ 1,477	\$ 1,580	\$ 1,775	\$ 1,983	\$ 2,192	\$ 2,397	\$ 2,600	\$ 2,806	\$ 3,017	\$ 3,241	\$ 3,465	\$ 3,690	\$ 3,919	\$ 4,106	\$ 4,331	\$ 393	\$ 390	
6 ft.	72 in.	\$ 1,451	\$ 1,477	\$ 1,667	\$ 1,891	\$ 2,120	\$ 2,347	\$ 2,574	\$ 2,798	\$ 3,025	\$ 3,252	\$ 3,497	\$ 3,740	\$ 3,985	\$ 4,236	\$ 4,441	\$ 4,684	\$ 464	\$ 390	
7 ft.	84 in.	\$ 1,451	\$ 1,522	\$ 1,767	\$ 2,010	\$ 2,260	\$ 2,508	\$ 2,751	\$ 2,996	\$ 3,241	\$ 3,489	\$ 3,753	\$ 4,017	\$ 4,283	\$ 4,552	\$ 4,776	\$ 5,040	\$ 551	\$ 404	
8 ft.	96 in.	\$ 1,451	\$ 1,601	\$ 1,865	\$ 2,128	\$ 2,400	\$ 2,664	\$ 2,927	\$ 3,191	\$ 3,458	\$ 3,727	\$ 4,009	\$ 4,296	\$ 4,578	\$ 4,869	\$ 5,111	\$ 5,396	\$ 625	\$ 404	
9 ft.	108 in.	\$ 1,451	\$ 1,680	\$ 1,965	\$ 2,247	\$ 2,535	\$ 2,819	\$ 3,107	\$ 3,389	\$ 3,674	\$ 3,961	\$ 4,267	\$ 4,571	\$ 4,874	\$ 5,182	\$ 5,449	\$ 5,752	\$ 683	\$ 404	
10 ft.	120 in.	\$ 0	\$ 1,759	\$ 2,062	\$ 2,368	\$ 2,674	\$ 2,980	\$ 3,284	\$ 3,587	\$ 3,893	\$ 4,199	\$ 4,523	\$ 4,847	\$ 5,169	\$ 5,499	\$ 5,781	\$ 6,105	\$ 783	\$ 433	
11 ft.	132 in.	\$ 0	\$ 1,838	\$ 2,160	\$ 2,487	\$ 2,814	\$ 3,136	\$ 3,463	\$ 3,785	\$ 4,109	\$ 4,439	\$ 4,782	\$ 5,124	\$ 5,465	\$ 5,815	\$ 6,119	\$ 6,462	\$ 841	\$ 433	
12 ft.	144 in.	\$ 0	\$ 1,917	\$ 2,260	\$ 2,603	\$ 2,951	\$ 3,297	\$ 3,640	\$ 3,982	\$ 4,328	\$ 4,673	\$ 5,037	\$ 5,401	\$ 5,763	\$ 6,132	\$ 6,456	\$ 6,818	\$ 915	\$ 462	
13 ft.	156 in.	\$ 0	\$ 0	\$ 2,358	\$ 2,722	\$ 3,091	\$ 3,452	\$ 3,819	\$ 4,178	\$ 4,544	\$ 4,911	\$ 5,296	\$ 5,676	\$ 6,061	\$ 6,448	\$ 6,791	\$ 7,174	\$ 1,002	\$ 462	
14 ft.	168 in.	\$ 0	\$ 0	\$ 2,458	\$ 2,840	\$ 3,225	\$ 3,613	\$ 3,996	\$ 4,375	\$ 4,763	\$ 5,148	\$ 5,549	\$ 5,953	\$ 6,356	\$ 6,762	\$ 7,126	\$ 7,527	\$ 1,089	\$ 462	
15 ft.	180 in.	\$ 0	\$ 0	\$ 2,556	\$ 2,959	\$ 3,365	\$ 3,769	\$ 4,172	\$ 4,573	\$ 4,977	\$ 5,383	\$ 5,807	\$ 6,229	\$ 6,651	\$ 7,079	\$ 7,461	\$ 7,883	\$ 1,147	\$ 462	
16 ft.	192 in.	\$ 0	\$ 0	\$ 0	\$ 3,078	\$ 3,505	\$ 3,930	\$ 4,349	\$ 4,771	\$ 5,196	\$ 5,620	\$ 6,063	\$ 6,506	\$ 6,947	\$ 7,395	\$ 7,799	\$ 8,239	\$ 1,218	\$ 462	

Note: Manual gear up to 16 ft. Motorized Only after 16 ft.
 Standard Colors: White Quartz, Glacier, Anthracite, Carbon, Urban Bronze, Corten, Granite, Dune, Beach Sand.

Surcharges

Feet	3 ft.	4 ft.	5 ft.	6 ft.	7 ft.	8 ft.	9 ft.	10 ft.	11 ft.	12 ft.	13 ft.	14 ft.	15 ft.	16 ft.	17 ft.	18 ft.
Inches	36 in.	48 in.	60 in.	72 in.	84 in.	96 in.	108 in.	120 in.	132 in.	144 in.	156 in.	168 in.	180 in.	192 in.	204 in.	216 in.
Wall Bracket	\$103	\$103	\$103	\$103	\$103	\$103	\$203	\$203	\$203	\$203	\$203	\$203	\$203	\$203	\$203	\$203
Square Front	\$161	\$174	\$190	\$219	\$232	\$261	\$290	\$319	\$335	\$364	\$393	\$422	\$451	\$464	\$493	\$522

Product Options and Surcharges

Motor Options	
BTX 110V AC 45XE RF Motor	\$500
Somfy RTS.....	\$965
Hardware Options	
Custom Powder Coat	Call of Quote

Control Options	
BTX Controls	
BTX Handsender 1 or 6-Channel White	\$125
BTX Wireless Wallswitch (2-Ch or 5-Ch).....	\$150
BTX SmartConnect RS-232 Interface	\$350
BTX Li-ion Recharger.....	\$50
Somfy Controls	
Somfy Situo RTS 1-Channel White.....	\$175
Somfy Situo RTS 5-Channel White.....	\$250
Somfy Telis RTS 1-Channel Silver or Lounge.....	\$275
Somfy Telis RTS 5-Channel Silver or Lounge.....	\$300
Somfy Telis 16-Channel Pure	\$600
Somfy Decoflex 1-Channel Pure	\$350
Somfy Decoflex 5-Channel Pure	\$375
Somfy Battery Tube, 12V, Reloadable	\$75
Somfy MyLink	\$700
Somfy URTSI	\$1,070
Somfy ST-30 Li-ion Recharger.....	\$40
Somfy Repeater.....	\$545

Fabric List (See fabric index page 85 for Fabric Grid listing)



ExoScreen Manual Retail Pricing

		WIDTH																ShyZip	Cable Guide
Feet	Inches	3 ft.	4 ft.	5 ft.	6 ft.	7 ft.	8 ft.	9 ft.	10 ft.	11 ft.	12 ft.	13 ft.	14 ft.	15 ft.	16 ft.	17 ft.	18 ft.		
		36 in.	48 in.	60 in.	72 in.	84 in.	96 in.	108 in.	120 in.	132 in.	144 in.	156 in.	168 in.	180 in.	192 in.	204 in.	216 in.		
HEIGHT	4 ft. 48 in.	\$ 1,813	\$ 1,846	\$ 1,975	\$ 2,110	\$ 2,308	\$ 2,538	\$ 2,773	\$ 3,003	\$ 3,237	\$ 3,471	\$ 3,729	\$ 3,986	\$ 4,243	\$ 4,507	\$ 4,711	\$ 4,968	\$ 319	\$ 390
	5 ft. 60 in.	\$ 1,813	\$ 1,846	\$ 1,975	\$ 2,219	\$ 2,479	\$ 2,740	\$ 2,997	\$ 3,251	\$ 3,508	\$ 3,771	\$ 4,052	\$ 4,332	\$ 4,612	\$ 4,899	\$ 5,133	\$ 5,413	\$ 393	\$ 390
	6 ft. 72 in.	\$ 1,813	\$ 1,846	\$ 2,084	\$ 2,364	\$ 2,651	\$ 2,934	\$ 3,218	\$ 3,498	\$ 3,781	\$ 4,065	\$ 4,371	\$ 4,675	\$ 4,981	\$ 5,295	\$ 5,552	\$ 5,855	\$ 464	\$ 390
	7 ft. 84 in.	\$ 1,813	\$ 1,902	\$ 2,209	\$ 2,512	\$ 2,825	\$ 3,135	\$ 3,438	\$ 3,745	\$ 4,052	\$ 4,362	\$ 4,691	\$ 5,021	\$ 5,354	\$ 5,690	\$ 5,970	\$ 6,300	\$ 551	\$ 404
	8 ft. 96 in.	\$ 1,813	\$ 2,001	\$ 2,331	\$ 2,660	\$ 3,000	\$ 3,330	\$ 3,659	\$ 3,989	\$ 4,322	\$ 4,658	\$ 5,011	\$ 5,370	\$ 5,723	\$ 6,086	\$ 6,389	\$ 6,745	\$ 625	\$ 404
	9 ft. 108 in.	\$ 1,813	\$ 2,100	\$ 2,456	\$ 2,809	\$ 3,168	\$ 3,524	\$ 3,884	\$ 4,236	\$ 4,592	\$ 4,952	\$ 5,334	\$ 5,713	\$ 6,092	\$ 6,478	\$ 6,811	\$ 7,190	\$ 683	\$ 404
	10 ft. 120 in.	\$ 0	\$ 2,199	\$ 2,578	\$ 2,960	\$ 3,343	\$ 3,725	\$ 4,104	\$ 4,484	\$ 4,866	\$ 5,248	\$ 5,654	\$ 6,059	\$ 6,462	\$ 6,874	\$ 7,226	\$ 7,632	\$ 783	\$ 433
	11 ft. 132 in.	\$ 0	\$ 2,298	\$ 2,700	\$ 3,109	\$ 3,518	\$ 3,920	\$ 4,329	\$ 4,731	\$ 5,136	\$ 5,548	\$ 5,977	\$ 6,405	\$ 6,831	\$ 7,269	\$ 7,648	\$ 8,077	\$ 841	\$ 433
	12 ft. 144 in.	\$ 0	\$ 2,397	\$ 2,825	\$ 3,254	\$ 3,689	\$ 4,121	\$ 4,549	\$ 4,978	\$ 5,410	\$ 5,842	\$ 6,297	\$ 6,752	\$ 7,203	\$ 7,665	\$ 8,070	\$ 8,522	\$ 915	\$ 462
	13 ft. 156 in.	\$ 0	\$ 0	\$ 2,947	\$ 3,402	\$ 3,864	\$ 4,315	\$ 4,774	\$ 5,222	\$ 5,680	\$ 6,138	\$ 6,620	\$ 7,095	\$ 7,576	\$ 8,060	\$ 8,489	\$ 8,967	\$ 1,002	\$ 462
	14 ft. 168 in.	\$ 0	\$ 0	\$ 3,073	\$ 3,551	\$ 4,032	\$ 4,516	\$ 4,995	\$ 5,469	\$ 5,954	\$ 6,435	\$ 6,936	\$ 7,441	\$ 7,945	\$ 8,453	\$ 8,908	\$ 9,409	\$ 1,089	\$ 462
	15 ft. 180 in.	\$ 0	\$ 0	\$ 3,195	\$ 3,699	\$ 4,207	\$ 4,711	\$ 5,215	\$ 5,716	\$ 6,221	\$ 6,729	\$ 7,259	\$ 7,787	\$ 8,314	\$ 8,848	\$ 9,326	\$ 9,854	\$ 1,147	\$ 462
	16 ft. 192 in.	\$ 0	\$ 0	\$ 0	\$ 3,847	\$ 4,381	\$ 4,912	\$ 5,436	\$ 5,964	\$ 6,495	\$ 7,025	\$ 7,579	\$ 8,133	\$ 8,684	\$ 9,244	\$ 9,748	\$ 10,299	\$ 1,218	\$ 462

Note: Manual gear up to 16 ft. Motorized Only after 16 ft.
 Standard Colors: White Quartz, Glacier, Anthracite, Carbon, Urban Bronze, Corten, Granite, Dune, Beach Sand.

Surcharges

Feet	3 ft.	4 ft.	5 ft.	6 ft.	7 ft.	8 ft.	9 ft.	10 ft.	11 ft.	12 ft.	13 ft.	14 ft.	15 ft.	16 ft.	17 ft.	18 ft.
Inches	36 in.	48 in.	60 in.	72 in.	84 in.	96 in.	108 in.	120 in.	132 in.	144 in.	156 in.	168 in.	180 in.	192 in.	204 in.	216 in.
Wall Bracket	\$103	\$103	\$103	\$103	\$103	\$103	\$203	\$203	\$203	\$203	\$203	\$203	\$203	\$203	\$203	\$203
Square Front	\$161	\$174	\$190	\$219	\$232	\$261	\$290	\$319	\$335	\$364	\$393	\$422	\$451	\$464	\$493	\$522

Product Options and Surcharges

Motor Options

BTX 110V AC 45XE RF Motor	\$500
Somfy RTS.....	\$965

Hardware Options

Custom Powder Coat	Call of Quote
--------------------------	---------------

Control Options

BTX Controls	
BTX Handsender 1 or 6-Channel White	\$125
BTX Wireless Wallswitch (2-Ch or 5-Ch).....	\$150
BTX SmartConnect RS-232 Interface	\$350
BTX Li-ion Recharger.....	\$50
Somfy Controls	
Somfy Situo RTS 1-Channel White.....	\$175
Somfy Situo RTS 5-Channel White.....	\$250
Somfy Telis RTS 1-Channel Silver or Lounge.....	\$275
Somfy Telis RTS 5-Channel Silver or Lounge.....	\$300
Somfy Telis 16-Channel Pure	\$600
Somfy Decoflex 1-Channel Pure	\$350
Somfy Decoflex 5-Channel Pure	\$375
Somfy Battery Tube, 12V, Reloadable	\$75
Somfy MyLink	\$700
Somfy URTSI	\$1,070
Somfy ST-30 Li-ion Recharger.....	\$40
Somfy Repeater	\$545

Fabric List (See fabric index page 85 for Fabric Grid listing)



ExoScreen Manual Retail Pricing

		WIDTH														ShyZip	Cable Guide
HEIGHT	Feet	3 ft.	4 ft.	5 ft.	6 ft.	7 ft.	8 ft.	9 ft.	10 ft.	11 ft.	12 ft.	13 ft.	14 ft.	15 ft.	16 ft.		
	Inches	36 in	48 in.	60 in.	72 in.	84 in.	96 in.	108 in.	120 in.	132 in.	144 in	156 in.	168 in.	180 in.	192 in.		
	4 ft.	48 in.	\$ 2,205	\$ 2,226	\$ 2,331	\$ 2,442	\$ 2,550	\$ 2,658	\$ 2,769	\$ 2,869	\$ 3,157	\$ 3,336	\$ 3,526	\$ 3,716	\$ 3,909	\$ 4,236	\$ 319
5 ft.	60 in.	\$ 2,205	\$ 2,244	\$ 2,350	\$ 2,458	\$ 2,564	\$ 2,672	\$ 2,846	\$ 3,030	\$ 3,352	\$ 3,547	\$ 3,750	\$ 3,959	\$ 4,167	\$ 4,510	\$ 393	\$ 390
6 ft.	72 in.	\$ 2,205	\$ 2,260	\$ 2,363	\$ 2,474	\$ 2,598	\$ 2,801	\$ 3,009	\$ 3,210	\$ 3,550	\$ 3,756	\$ 3,977	\$ 4,201	\$ 4,423	\$ 4,787	\$ 464	\$ 390
7 ft.	84 in.	\$ 2,205	\$ 2,273	\$ 2,379	\$ 2,503	\$ 2,724	\$ 2,943	\$ 3,167	\$ 3,386	\$ 3,740	\$ 3,964	\$ 4,204	\$ 4,444	\$ 4,681	\$ 5,061	\$ 551	\$ 404
8 ft.	96 in.	\$ 2,205	\$ 2,289	\$ 2,392	\$ 2,616	\$ 2,851	\$ 3,091	\$ 3,331	\$ 3,563	\$ 3,935	\$ 4,178	\$ 4,431	\$ 4,687	\$ 4,942	\$ 5,338	\$ 625	\$ 404
9 ft.	108 in.	\$ 2,205	\$ 2,305	\$ 2,474	\$ 2,730	\$ 2,983	\$ 3,236	\$ 3,492	\$ 3,742	\$ 4,130	\$ 4,386	\$ 4,660	\$ 4,929	\$ 5,201	\$ 5,612	\$ 683	\$ 404

Note: Manual gear up to 16 ft. Motorized Only after 16-feet.
 Standard Colors: White Quartz, Glacier, Anthracite, Carbon, Urban Bronze, Corten, Granite, Dune, Beach Sand.

Surcharges

Feet	3 ft.	4 ft.	5 ft.	6 ft.	7 ft.	8 ft.	9 ft.	10 ft.	11 ft.	12 ft.	13 ft.	14 ft.	15 ft.	16 ft.	17 ft.	18 ft.
Inches	36 in	48 in.	60 in.	72 in.	84 in.	96 in.	108 in.	120 in.	132 in.	144 in	156 in.	168 in.	180 in.	192 in.	204 in.	216 in.
Wall Bracket	\$103	\$103	\$103	\$103	\$103	\$103	\$203	\$203	\$203	\$203	\$203	\$203	\$203	\$203	\$203	\$203
Square Front	\$161	\$174	\$190	\$219	\$232	\$261	\$290	\$319	\$335	\$364	\$393	\$422	\$451	\$464	\$493	\$522

Product Options and Surcharges

Motor Options

BTX 110V AC 45XE RF Motor	\$500
Somfy RTS.....	\$965

Hardware Options

Custom Powder Coat	Call of Quote
--------------------------	---------------

Control Options

BTX Controls	
BTX Handsender 1 or 6-Channel White	\$125
BTX Wireless Wallswitch (2-Ch or 5-Ch).....	\$150
BTX SmartConnect RS-232 Interface	\$350
BTX Li-ion Recharger.....	\$50
Somfy Controls	
Somfy Situo RTS 1-Channel White.....	\$175
Somfy Situo RTS 5-Channel White.....	\$250
Somfy Telis RTS 1-Channel Silver or Lounge.....	\$275
Somfy Telis RTS 5-Channel Silver or Lounge.....	\$300
Somfy Telis 16-Channel Pure	\$600
Somfy Decoflex 1-Channel Pure	\$350
Somfy Decoflex 5-Channel Pure	\$375
Somfy Battery Tube, 12V, Reloadable	\$75
Somfy MyLink	\$700
Somfy URTSI	\$1,070
Somfy ST-30 Li-ion Recharger.....	\$40
Somfy Repeater.....	\$545

Fabric List [\(See fabric index page 85 for Fabric Grid listing\)](#)



ExoScreen HD systems are available in both manual and motorized options and are ideal for exterior shading solutions. ExoScreen HD systems are built for larger exterior shading systems and feature a square enclosure that protects the hardware and presents a clean aesthetic in the environment. By automating your exterior shades, it's easy to make these products a functional and comprehensive design solution that combines the advantages of heat mitigation, ergonomics, and privacy.



ExoScreen HD Manual Exterior Shade System

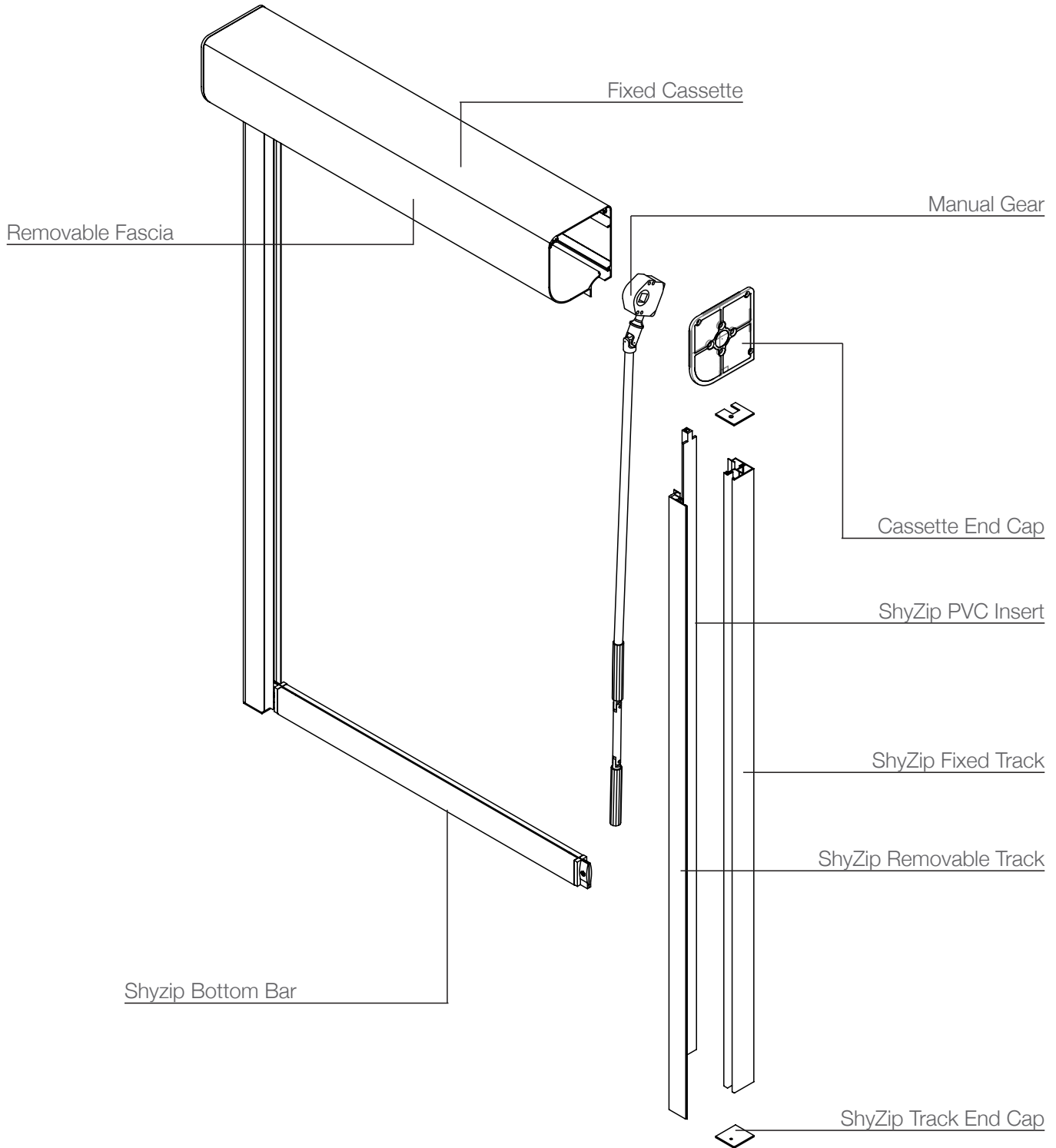
- Max size: 16 ft. by 16 ft. (depending on fabric weight)
- 3 in. tube with cassette
- Square cassette options
- Option of ShyZip size zipper or cable guide



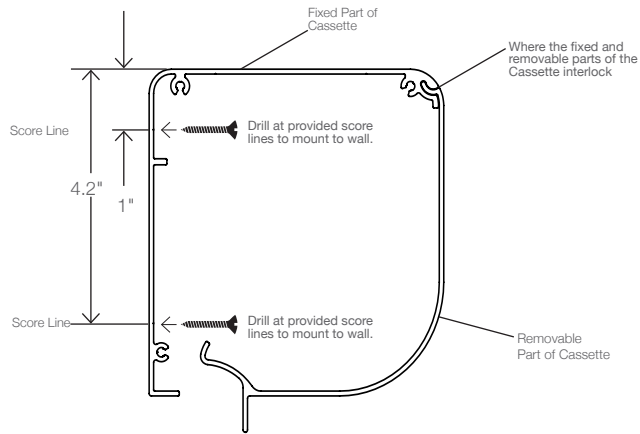
ExoScreen HD Motorized Exterior Shade System

- 110V AC 20Nm Motor with Electronic Limits
- Max size: 23 ft. by 16 ft. (depending on fabric weight)
- 3 in. tube with cassette
- Square cassette options
- Option of ShyZip size zipper or cable guide

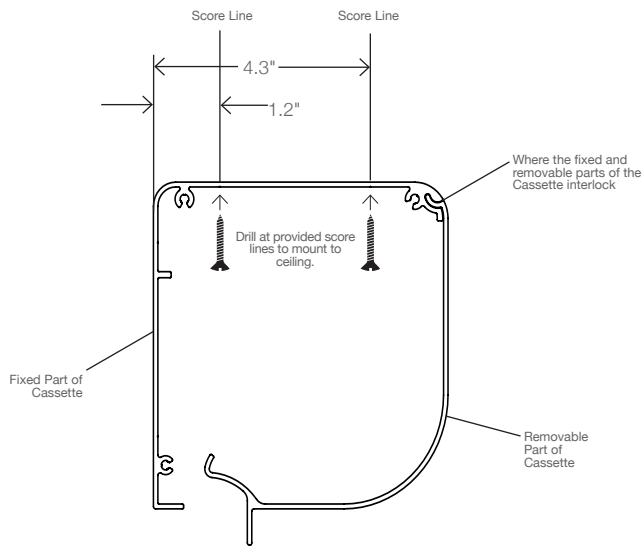
ExoScreen Exploded View



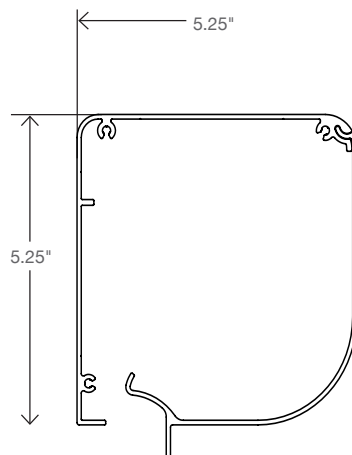
Wall Mount



Ceiling Mount



Cassette Profile





ExoScreen HD

Price Grid 1

ExoScreen HD Manual Retail Pricing

Feet		WIDTH										ShyZip	Cable Guide
		3 ft.	4 ft.	5 ft.	6 ft.	7 ft.	8 ft.	9 ft.	10 ft.	11 ft.	12 ft.		
HEIGHT	Inches	36 in.	48 in.	60 in.	72 in.	84 in.	96 in.	108 in.	120 in.	132 in.	144 in.		
	4 ft.	48 in.	\$ 1,134	\$ 1,276	\$ 1,414	\$ 1,556	\$ 1,698	\$ 1,849	\$ 2,015	\$ 2,176	\$ 2,342	\$ 2,503	\$ 319
5 ft.	60 in.	\$ 1,134	\$ 1,276	\$ 1,414	\$ 1,556	\$ 1,727	\$ 1,894	\$ 2,065	\$ 2,231	\$ 2,403	\$ 2,571	\$ 393	\$ 390
6 ft.	72 in.	\$ 1,134	\$ 1,276	\$ 1,414	\$ 1,590	\$ 1,767	\$ 1,938	\$ 2,115	\$ 2,289	\$ 2,469	\$ 2,643	\$ 464	\$ 390
7 ft.	84 in.	\$ 1,134	\$ 1,276	\$ 1,443	\$ 1,625	\$ 1,804	\$ 1,986	\$ 2,168	\$ 2,347	\$ 2,532	\$ 2,711	\$ 551	\$ 404
8 ft.	96 in.	\$ 1,134	\$ 1,287	\$ 1,472	\$ 1,656	\$ 1,846	\$ 2,031	\$ 2,221	\$ 2,405	\$ 2,595	\$ 2,777	\$ 625	\$ 404
9 ft.	108 in.	\$ 1,134	\$ 1,311	\$ 1,501	\$ 1,691	\$ 1,886	\$ 2,078	\$ 2,273	\$ 2,463	\$ 2,656	\$ 2,848	\$ 683	\$ 404
10 ft.	120 in.	\$ 0	\$ 1,335	\$ 1,524	\$ 1,725	\$ 1,925	\$ 2,123	\$ 2,324	\$ 2,519	\$ 2,719	\$ 2,917	\$ 783	\$ 433
11 ft.	132 in.	\$ 0	\$ 1,356	\$ 1,553	\$ 1,762	\$ 1,967	\$ 2,171	\$ 2,374	\$ 2,577	\$ 2,782	\$ 2,988	\$ 841	\$ 433
12 ft.	144 in.	\$ 0	\$ 1,377	\$ 1,582	\$ 1,796	\$ 2,007	\$ 2,213	\$ 2,426	\$ 2,635	\$ 2,848	\$ 3,054	\$ 915	\$ 462
13 ft.	156 in.	\$ 0	\$ 0	\$ 1,611	\$ 1,830	\$ 2,049	\$ 2,260	\$ 2,479	\$ 2,693	\$ 2,909	\$ 3,123	\$ 1,002	\$ 462
14 ft.	168 in.	\$ 0	\$ 0	\$ 1,640	\$ 1,865	\$ 2,086	\$ 2,308	\$ 2,529	\$ 2,748	\$ 2,972	\$ 3,194	\$ 1,089	\$ 462
15 ft.	180 in.	\$ 0	\$ 0	\$ 1,669	\$ 1,899	\$ 2,126	\$ 2,353	\$ 2,582	\$ 2,806	\$ 3,036	\$ 3,262	\$ 1,147	\$ 462
16 ft.	192 in.	\$ 0	\$ 0	\$ 0	\$ 1,933	\$ 2,168	\$ 2,400	\$ 2,632	\$ 2,864	\$ 3,099	\$ 3,328	\$ 1,218	\$ 462

Feet		WIDTH											ShyZip	Cable Guide
		13 ft.	14 ft.	15 ft.	16 ft.	17 ft.	18 ft.	19 ft.	20 ft.	21 ft.	22 ft.	23 ft.		
HEIGHT	Inches	156 in.	168 in.	180 in.	192 in.	204 in.	216 in.	228 in.	240 in.	252 in.	264 in.	276 in.		
	4 ft.	48 in.	\$ 2,687	\$ 2,869	\$ 3,051	\$ 3,239	\$ 3,384	\$ 3,563	\$ 3,903	\$ 4,096	\$ 4,671	\$ 4,871	\$ 5,064	\$ 319
5 ft.	60 in.	\$ 2,761	\$ 2,951	\$ 3,138	\$ 3,331	\$ 3,481	\$ 3,669	\$ 4,011	\$ 4,209	\$ 4,789	\$ 4,995	\$ 5,196	\$ 393	\$ 390
6 ft.	72 in.	\$ 2,838	\$ 3,033	\$ 3,225	\$ 3,421	\$ 3,576	\$ 3,771	\$ 4,120	\$ 4,325	\$ 4,911	\$ 5,124	\$ 5,327	\$ 464	\$ 390
7 ft.	84 in.	\$ 2,912	\$ 3,112	\$ 3,310	\$ 3,513	\$ 3,676	\$ 3,874	\$ 4,230	\$ 4,439	\$ 5,029	\$ 5,248	\$ 5,459	\$ 551	\$ 404
8 ft.	96 in.	\$ 2,985	\$ 3,194	\$ 3,397	\$ 3,608	\$ 3,774	\$ 3,977	\$ 4,338	\$ 4,555	\$ 5,153	\$ 5,375	\$ 5,591	\$ 625	\$ 404
9 ft.	108 in.	\$ 3,062	\$ 3,273	\$ 3,484	\$ 3,698	\$ 3,872	\$ 4,080	\$ 4,449	\$ 4,671	\$ 5,272	\$ 5,502	\$ 5,723	\$ 683	\$ 404
10 ft.	120 in.	\$ 3,136	\$ 3,352	\$ 3,568	\$ 3,790	\$ 3,969	\$ 4,185	\$ 4,555	\$ 4,784	\$ 5,393	\$ 5,628	\$ 5,855	\$ 783	\$ 433
11 ft.	132 in.	\$ 3,210	\$ 3,434	\$ 3,655	\$ 3,882	\$ 4,064	\$ 4,286	\$ 4,665	\$ 4,900	\$ 5,515	\$ 5,752	\$ 5,987	\$ 841	\$ 433
12 ft.	144 in.	\$ 3,284	\$ 3,516	\$ 3,742	\$ 3,972	\$ 4,164	\$ 4,391	\$ 4,776	\$ 5,014	\$ 5,633	\$ 5,881	\$ 6,121	\$ 915	\$ 462
13 ft.	156 in.	\$ 3,360	\$ 3,595	\$ 3,827	\$ 4,064	\$ 4,262	\$ 4,491	\$ 4,884	\$ 5,130	\$ 5,755	\$ 6,005	\$ 6,251	\$ 1,002	\$ 462
14 ft.	168 in.	\$ 3,434	\$ 3,674	\$ 3,914	\$ 4,159	\$ 4,357	\$ 4,597	\$ 4,993	\$ 5,240	\$ 5,876	\$ 6,135	\$ 6,385	\$ 1,089	\$ 462
15 ft.	180 in.	\$ 3,508	\$ 3,756	\$ 4,001	\$ 4,249	\$ 4,457	\$ 4,702	\$ 5,101	\$ 5,356	\$ 5,997	\$ 6,258	\$ 6,514	\$ 1,147	\$ 462
16 ft.	192 in.	\$ 3,584	\$ 3,837	\$ 4,085	\$ 4,341	\$ 4,555	\$ 4,803	\$ 5,211	\$ 5,473	\$ 6,116	\$ 6,385	\$ 6,649	\$ 1,218	\$ 462

Note: Manual gear up to 16 ft. Motorized only after 16 ft. Only Insect Screen, Tuffscreen, Super Solar, and Vienne fabrics can be used over 18 ft. Standard Colors: White Quartz, Glacier, Anthracite, Carbon, Urban Bronze, Corten, Granite, Dune, Beach Sand.

Product Options and Surcharges

Motor Options	
BTX 110V AC 45XE RF Motor	\$500
Somfy RTS.....	\$965
Hardware Options	
Custom Powder Coat	Call of Quote

Control Options	
BTX Controls	
BTX Handsender 1 or 6-Channel White	\$125
BTX Wireless Wallswitch (2-Ch or 5-Ch).....	\$150
BTX SmartConnect RS-232 Interface	\$350
BTX Li-ion Recharger	\$50
Somfy Controls	
Somfy Situo RTS 1-Channel White.....	\$175
Somfy Situo RTS 5-Channel White.....	\$250
Somfy Telis RTS 1-Channel Silver or Lounge.....	\$275
Somfy Telis RTS 5-Channel Silver or Lounge.....	\$300
Somfy Telis 16-Channel Pure	\$600
Somfy Decoflex 1-Channel Pure	\$350
Somfy Decoflex 5-Channel Pure	\$375
Somfy Battery Tube, 12V, Reloadable.....	\$75
Somfy MyLink	\$700
Somfy URTSI	\$1,070
Somfy ST-30 Li-ion Recharger.....	\$40
Somfy Repeater.....	\$545

Fabric List *(See fabric index page 85 for Fabric Grid listing)*



ExoScreen HD

Price Grid 2

ExoScreen HD Manual Retail Pricing

		WIDTH										ShyZip	Cable Guide
Feet		3 ft.	4 ft.	5 ft.	6 ft.	7 ft.	8 ft.	9 ft.	10 ft.	11 ft.	12 ft.		
	Inches	36 in.	48 in.	60 in.	72 in.	84 in.	96 in.	108 in.	120 in.	132 in.	144 in.		
HEIGHT	4 ft. 48 in.	\$ 1,221	\$ 1,364	\$ 1,501	\$ 1,643	\$ 1,807	\$ 1,989	\$ 2,171	\$ 2,350	\$ 2,535	\$ 2,714	\$ 319	\$ 390
	5 ft. 60 in.	\$ 1,221	\$ 1,364	\$ 1,501	\$ 1,685	\$ 1,880	\$ 2,068	\$ 2,263	\$ 2,453	\$ 2,648	\$ 2,835	\$ 393	\$ 390
	6 ft. 72 in.	\$ 1,221	\$ 1,364	\$ 1,543	\$ 1,746	\$ 1,949	\$ 2,149	\$ 2,353	\$ 2,553	\$ 2,759	\$ 2,959	\$ 464	\$ 390
	7 ft. 84 in.	\$ 1,221	\$ 1,385	\$ 1,596	\$ 1,807	\$ 2,023	\$ 2,231	\$ 2,447	\$ 2,656	\$ 2,869	\$ 3,080	\$ 551	\$ 404
	8 ft. 96 in.	\$ 1,221	\$ 1,427	\$ 1,646	\$ 1,867	\$ 2,091	\$ 2,313	\$ 2,537	\$ 2,756	\$ 2,980	\$ 3,202	\$ 625	\$ 404
	9 ft. 108 in.	\$ 1,234	\$ 1,466	\$ 1,696	\$ 1,928	\$ 2,165	\$ 2,395	\$ 2,629	\$ 2,859	\$ 3,094	\$ 3,323	\$ 683	\$ 404
	10 ft. 120 in.	\$ 0	\$ 1,509	\$ 1,746	\$ 1,991	\$ 2,234	\$ 2,474	\$ 2,719	\$ 2,959	\$ 3,204	\$ 3,444	\$ 783	\$ 433
	11 ft. 132 in.	\$ 0	\$ 1,548	\$ 1,799	\$ 2,052	\$ 2,308	\$ 2,556	\$ 2,811	\$ 3,062	\$ 3,318	\$ 3,568	\$ 841	\$ 433
	12 ft. 144 in.	\$ 0	\$ 1,588	\$ 1,849	\$ 2,113	\$ 2,376	\$ 2,637	\$ 2,901	\$ 3,162	\$ 3,429	\$ 3,690	\$ 915	\$ 462
	13 ft. 156 in.	\$ 0	\$ 0	\$ 1,899	\$ 2,173	\$ 2,447	\$ 2,719	\$ 2,993	\$ 3,265	\$ 3,542	\$ 3,811	\$ 1,002	\$ 462
	14 ft. 168 in.	\$ 0	\$ 0	\$ 1,949	\$ 2,234	\$ 2,519	\$ 2,801	\$ 3,086	\$ 3,365	\$ 3,650	\$ 3,932	\$ 1,089	\$ 462
	15 ft. 180 in.	\$ 0	\$ 0	\$ 2,002	\$ 2,295	\$ 2,590	\$ 2,880	\$ 3,178	\$ 3,468	\$ 3,764	\$ 4,054	\$ 1,147	\$ 462
16 ft. 192 in.	\$ 0	\$ 0	\$ 0	\$ 2,355	\$ 2,661	\$ 2,962	\$ 3,268	\$ 3,568	\$ 3,874	\$ 4,178	\$ 1,218	\$ 462	

		WIDTH										ShyZip	Cable Guide	
Feet		13 ft.	14 ft.	15 ft.	16 ft.	17 ft.	18 ft.	19 ft.	20 ft.	21 ft.	22 ft.			23 ft.
	Inches	156 in.	168 in.	180 in.	192 in.	204 in.	216 in.	228 in.	240 in.	252 in.	264 in.	276 in.		
HEIGHT	4 ft. 48 in.	\$ 2,917	\$ 3,117	\$ 3,315	\$ 3,521	\$ 3,682	\$ 3,880	\$ 4,236	\$ 4,447	\$ 5,040	\$ 5,256	\$ 5,467	\$ 319	\$ 390
	5 ft. 60 in.	\$ 3,049	\$ 3,260	\$ 3,471	\$ 3,682	\$ 3,856	\$ 4,064	\$ 4,431	\$ 4,650	\$ 5,254	\$ 5,480	\$ 5,702	\$ 393	\$ 390
	6 ft. 72 in.	\$ 3,181	\$ 3,402	\$ 3,621	\$ 3,845	\$ 4,027	\$ 4,246	\$ 4,623	\$ 4,853	\$ 5,465	\$ 5,705	\$ 5,934	\$ 464	\$ 390
	7 ft. 84 in.	\$ 3,313	\$ 3,545	\$ 3,774	\$ 4,006	\$ 4,201	\$ 4,428	\$ 4,816	\$ 5,056	\$ 5,681	\$ 5,926	\$ 6,169	\$ 551	\$ 404
	8 ft. 96 in.	\$ 3,444	\$ 3,687	\$ 3,924	\$ 4,170	\$ 4,373	\$ 4,613	\$ 5,008	\$ 5,259	\$ 5,892	\$ 6,150	\$ 6,401	\$ 625	\$ 404
	9 ft. 108 in.	\$ 3,576	\$ 3,827	\$ 4,080	\$ 4,333	\$ 4,547	\$ 4,795	\$ 5,204	\$ 5,462	\$ 6,108	\$ 6,375	\$ 6,636	\$ 683	\$ 404
	10 ft. 120 in.	\$ 3,708	\$ 3,969	\$ 4,230	\$ 4,494	\$ 4,718	\$ 4,977	\$ 5,393	\$ 5,665	\$ 6,319	\$ 6,599	\$ 6,868	\$ 783	\$ 433
	11 ft. 132 in.	\$ 3,840	\$ 4,112	\$ 4,383	\$ 4,658	\$ 4,892	\$ 5,159	\$ 5,589	\$ 5,868	\$ 6,533	\$ 6,820	\$ 7,102	\$ 841	\$ 433
	12 ft. 144 in.	\$ 3,972	\$ 4,254	\$ 4,534	\$ 4,818	\$ 5,064	\$ 5,343	\$ 5,781	\$ 6,071	\$ 6,746	\$ 7,044	\$ 7,335	\$ 915	\$ 462
	13 ft. 156 in.	\$ 4,106	\$ 4,396	\$ 4,689	\$ 4,982	\$ 5,238	\$ 5,525	\$ 5,974	\$ 6,274	\$ 6,960	\$ 7,269	\$ 7,572	\$ 1,002	\$ 462
	14 ft. 168 in.	\$ 4,236	\$ 4,539	\$ 4,840	\$ 5,145	\$ 5,409	\$ 5,707	\$ 6,166	\$ 6,477	\$ 7,171	\$ 7,490	\$ 7,804	\$ 1,089	\$ 462
	15 ft. 180 in.	\$ 4,370	\$ 4,681	\$ 4,993	\$ 5,306	\$ 5,583	\$ 5,892	\$ 6,361	\$ 6,680	\$ 7,387	\$ 7,714	\$ 8,039	\$ 1,147	\$ 462
16 ft. 192 in.	\$ 4,499	\$ 4,824	\$ 5,143	\$ 5,470	\$ 5,752	\$ 6,074	\$ 6,551	\$ 6,884	\$ 7,598	\$ 7,938	\$ 8,271	\$ 1,218	\$ 462	

Note: Manual gear up to 16 ft. Motorized only after 16 ft. Only Insect Screen, Tuffscreen, Super Solar, and Vienne fabrics can be used over 18 ft. Standard Colors: White Quartz, Glacier, Anthracite, Carbon, Urban Bronze, Corten, Granite, Dune, Beach Sand.

Product Options and Surcharges

Motor Options	
BTX 110V AC 45XE RF Motor	\$500
Somfy RTS.....	\$965

Hardware Options	
Custom Powder Coat	Call of Quote

Control Options	
BTX Controls	
BTX Handsender 1 or 6-Channel White	\$125
BTX Wireless Wallswitch (2-Ch or 5-Ch).....	\$150
BTX SmartConnect RS-232 Interface	\$350
BTX Li-ion Recharger	\$50
Somfy Controls	
Somfy Situo RTS 1-Channel White.....	\$175
Somfy Situo RTS 5-Channel White.....	\$250
Somfy Telis RTS 1-Channel Silver or Lounge.....	\$275
Somfy Telis RTS 5-Channel Silver or Lounge.....	\$300
Somfy Telis 16-Channel Pure	\$600
Somfy Decoflex 1-Channel Pure	\$350
Somfy Decoflex 5-Channel Pure	\$375
Somfy Battery Tube, 12V, Reloadable	\$75
Somfy MyLink	\$700
Somfy URTSI	\$1,070
Somfy ST-30 Li-ion Recharger.....	\$40
Somfy Repeater.....	\$545

Fabric List [\(See fabric index page 85 for Fabric Grid listing\)](#)



ExoScreen HD

Price Grid 3

ExoScreen HD Manual Retail Pricing

Feet		WIDTH										ShyZip	Cable Guide
		3 ft.	4 ft.	5 ft.	6 ft.	7 ft.	8 ft.	9 ft.	10 ft.	11 ft.	12 ft.		
HEIGHT	Inches	36 in.	48 in.	60 in.	72 in.	84 in.	96 in.	108 in.	120 in.	132 in.	144 in.		
	4 ft.	48 in.	\$ 1,366	\$ 1,509	\$ 1,646	\$ 1,788	\$ 1,970	\$ 2,173	\$ 2,379	\$ 2,582	\$ 2,790	\$ 2,993	\$ 319
5 ft.	60 in.	\$ 1,366	\$ 1,509	\$ 1,646	\$ 1,859	\$ 2,084	\$ 2,300	\$ 2,524	\$ 2,743	\$ 2,967	\$ 3,183	\$ 393	\$ 390
6 ft.	72 in.	\$ 1,366	\$ 1,509	\$ 1,717	\$ 1,954	\$ 2,194	\$ 2,429	\$ 2,666	\$ 2,901	\$ 3,141	\$ 3,376	\$ 464	\$ 390
7 ft.	84 in.	\$ 1,366	\$ 1,548	\$ 1,799	\$ 2,052	\$ 2,308	\$ 2,556	\$ 2,811	\$ 3,062	\$ 3,315	\$ 3,568	\$ 551	\$ 404
8 ft.	96 in.	\$ 1,366	\$ 1,611	\$ 1,878	\$ 2,147	\$ 2,416	\$ 2,685	\$ 2,954	\$ 3,220	\$ 3,492	\$ 3,758	\$ 625	\$ 404
9 ft.	108 in.	\$ 1,393	\$ 1,675	\$ 1,957	\$ 2,242	\$ 2,529	\$ 2,811	\$ 3,096	\$ 3,381	\$ 3,666	\$ 3,951	\$ 683	\$ 404
10 ft.	120 in.	\$ 0	\$ 1,741	\$ 2,036	\$ 2,339	\$ 2,640	\$ 2,938	\$ 3,241	\$ 3,539	\$ 3,843	\$ 4,141	\$ 783	\$ 433
11 ft.	132 in.	\$ 0	\$ 1,804	\$ 2,118	\$ 2,434	\$ 2,751	\$ 3,067	\$ 3,384	\$ 3,700	\$ 4,017	\$ 4,333	\$ 841	\$ 433
12 ft.	144 in.	\$ 0	\$ 1,867	\$ 2,197	\$ 2,529	\$ 2,864	\$ 3,194	\$ 3,529	\$ 3,858	\$ 4,193	\$ 4,520	\$ 915	\$ 462
13 ft.	156 in.	\$ 0	\$ 0	\$ 2,276	\$ 2,624	\$ 2,975	\$ 3,323	\$ 3,671	\$ 4,019	\$ 4,367	\$ 4,713	\$ 1,002	\$ 462
14 ft.	168 in.	\$ 0	\$ 0	\$ 2,355	\$ 2,722	\$ 3,086	\$ 3,450	\$ 3,816	\$ 4,178	\$ 4,542	\$ 4,905	\$ 1,089	\$ 462
15 ft.	180 in.	\$ 0	\$ 0	\$ 2,434	\$ 2,817	\$ 3,196	\$ 3,576	\$ 3,959	\$ 4,336	\$ 4,718	\$ 5,095	\$ 1,147	\$ 462
16 ft.	192 in.	\$ 0	\$ 0	\$ 0	\$ 2,912	\$ 3,310	\$ 3,705	\$ 4,101	\$ 4,494	\$ 4,892	\$ 5,288	\$ 1,218	\$ 462

Feet		WIDTH											ShyZip	Cable Guide
		13 ft.	14 ft.	15 ft.	16 ft.	17 ft.	18 ft.	19 ft.	20 ft.	21 ft.	22 ft.	23 ft.		
HEIGHT	Inches	156 in.	168 in.	180 in.	192 in.	204 in.	216 in.	228 in.	240 in.	252 in.	264 in.	276 in.		
	4 ft.	48 in.	\$ 3,218	\$ 3,442	\$ 3,663	\$ 3,890	\$ 4,077	\$ 4,299	\$ 4,679	\$ 4,911	\$ 5,528	\$ 5,768	\$ 6,000	\$ 319
5 ft.	60 in.	\$ 3,426	\$ 3,666	\$ 3,901	\$ 4,146	\$ 4,346	\$ 4,586	\$ 4,979	\$ 5,230	\$ 5,860	\$ 6,119	\$ 6,367	\$ 393	\$ 390
6 ft.	72 in.	\$ 3,632	\$ 3,890	\$ 4,143	\$ 4,402	\$ 4,618	\$ 4,874	\$ 5,283	\$ 5,549	\$ 6,198	\$ 6,469	\$ 6,736	\$ 464	\$ 390
7 ft.	84 in.	\$ 3,837	\$ 4,112	\$ 4,381	\$ 4,658	\$ 4,890	\$ 5,159	\$ 5,586	\$ 5,868	\$ 6,530	\$ 6,818	\$ 7,100	\$ 551	\$ 404
8 ft.	96 in.	\$ 4,048	\$ 4,336	\$ 4,621	\$ 4,913	\$ 5,161	\$ 5,444	\$ 5,887	\$ 6,185	\$ 6,865	\$ 7,168	\$ 7,466	\$ 625	\$ 404
9 ft.	108 in.	\$ 4,254	\$ 4,560	\$ 4,858	\$ 5,164	\$ 5,430	\$ 5,731	\$ 6,193	\$ 6,504	\$ 7,200	\$ 7,519	\$ 7,836	\$ 683	\$ 404
10 ft.	120 in.	\$ 4,462	\$ 4,782	\$ 5,098	\$ 5,420	\$ 5,702	\$ 6,018	\$ 6,493	\$ 6,823	\$ 7,535	\$ 7,870	\$ 8,200	\$ 783	\$ 433
11 ft.	132 in.	\$ 4,668	\$ 5,003	\$ 5,338	\$ 5,676	\$ 5,974	\$ 6,306	\$ 6,799	\$ 7,142	\$ 7,867	\$ 8,223	\$ 8,566	\$ 841	\$ 433
12 ft.	144 in.	\$ 4,874	\$ 5,227	\$ 5,575	\$ 5,931	\$ 6,243	\$ 6,593	\$ 7,100	\$ 7,461	\$ 8,205	\$ 8,574	\$ 8,935	\$ 915	\$ 462
13 ft.	156 in.	\$ 5,082	\$ 5,449	\$ 5,815	\$ 6,187	\$ 6,514	\$ 6,881	\$ 7,400	\$ 7,780	\$ 8,537	\$ 8,925	\$ 9,299	\$ 1,002	\$ 462
14 ft.	168 in.	\$ 5,288	\$ 5,673	\$ 6,055	\$ 6,440	\$ 6,786	\$ 7,168	\$ 7,706	\$ 8,099	\$ 8,872	\$ 9,273	\$ 9,666	\$ 1,089	\$ 462
15 ft.	180 in.	\$ 5,499	\$ 5,897	\$ 6,293	\$ 6,696	\$ 7,055	\$ 7,456	\$ 8,007	\$ 8,416	\$ 9,207	\$ 9,624	\$ 10,033	\$ 1,147	\$ 462
16 ft.	192 in.	\$ 5,705	\$ 6,119	\$ 6,533	\$ 6,952	\$ 7,329	\$ 7,738	\$ 8,310	\$ 8,735	\$ 9,542	\$ 9,975	\$ 10,399	\$ 1,218	\$ 462

Note: Manual gear up to 16 ft. Motorized only after 16 ft. Only Insect Screen, Tuffscreen, Super Solar, and Vienne fabrics can be used over 18 ft. Standard Colors: White Quartz, Glacier, Anthracite, Carbon, Urban Bronze, Corten, Granite, Dune, Beach Sand.

Product Options and Surcharges

Motor Options	
BTX 110V AC 45XE RF Motor	\$500
Somfy RTS.....	\$965
Hardware Options	
Custom Powder Coat	Call of Quote

Control Options	
BTX Controls	
BTX Handsender 1 or 6-Channel White	\$125
BTX Wireless Wallswitch (2-Ch or 5-Ch).....	\$150
BTX SmartConnect RS-232 Interface	\$350
BTX Li-ion Recharger	\$50
Somfy Controls	
Somfy Situo RTS 1-Channel White.....	\$175
Somfy Situo RTS 5-Channel White.....	\$250
Somfy Telis RTS 1-Channel Silver or Lounge.....	\$275
Somfy Telis RTS 5-Channel Silver or Lounge.....	\$300
Somfy Telis 16-Channel Pure	\$600
Somfy Decoflex 1-Channel Pure	\$350
Somfy Decoflex 5-Channel Pure	\$375
Somfy Battery Tube, 12V, Reloadable.....	\$75
Somfy MyLink	\$700
Somfy URTSI	\$1,070
Somfy ST-30 Li-ion Recharger.....	\$40
Somfy Repeater.....	\$545

Fabric List [\(See fabric index page 85 for Fabric Grid listing\)](#)



ExoScreen HD

Price Grid 4

ExoScreen HD Manual Retail Pricing

		WIDTH										ShyZip	Cable Guide
Feet	Inches	3 ft.	4 ft.	5 ft.	6 ft.	7 ft.	8 ft.	9 ft.	10 ft.	11 ft.	12 ft.		
		36 in.	48 in.	60 in.	72 in.	84 in.	96 in.	108 in.	120 in.	132 in.	144 in.		
HEIGHT	4 ft. 48 in.	\$ 1,493	\$ 1,609	\$ 1,746	\$ 1,888	\$ 2,078	\$ 2,295	\$ 2,516	\$ 2,738	\$ 2,956	\$ 3,175	\$ 319	\$ 390
	5 ft. 60 in.	\$ 1,493	\$ 1,609	\$ 1,746	\$ 1,975	\$ 2,215	\$ 2,455	\$ 2,695	\$ 2,935	\$ 3,175	\$ 3,413	\$ 393	\$ 390
	6 ft. 72 in.	\$ 1,493	\$ 1,609	\$ 1,833	\$ 2,091	\$ 2,353	\$ 2,611	\$ 2,872	\$ 3,131	\$ 3,392	\$ 3,647	\$ 464	\$ 390
	7 ft. 84 in.	\$ 1,493	\$ 1,656	\$ 1,931	\$ 2,210	\$ 2,492	\$ 2,772	\$ 3,049	\$ 3,328	\$ 3,611	\$ 3,887	\$ 551	\$ 404
	8 ft. 96 in.	\$ 1,493	\$ 1,733	\$ 2,031	\$ 2,329	\$ 2,632	\$ 2,927	\$ 3,225	\$ 3,526	\$ 3,824	\$ 4,125	\$ 625	\$ 404
	9 ft. 108 in.	\$ 1,493	\$ 1,812	\$ 2,128	\$ 2,447	\$ 2,767	\$ 3,083	\$ 3,407	\$ 3,724	\$ 4,043	\$ 4,360	\$ 683	\$ 404
	10 ft. 120 in.	\$ 0	\$ 1,894	\$ 2,229	\$ 2,566	\$ 2,906	\$ 3,244	\$ 3,584	\$ 3,922	\$ 4,259	\$ 4,597	\$ 783	\$ 433
	11 ft. 132 in.	\$ 0	\$ 1,973	\$ 2,326	\$ 2,687	\$ 3,046	\$ 3,400	\$ 3,761	\$ 4,117	\$ 4,478	\$ 4,834	\$ 841	\$ 433
	12 ft. 144 in.	\$ 0	\$ 2,049	\$ 2,424	\$ 2,804	\$ 3,183	\$ 3,560	\$ 3,938	\$ 4,315	\$ 4,695	\$ 5,069	\$ 915	\$ 462
	13 ft. 156 in.	\$ 0	\$ 0	\$ 2,524	\$ 2,922	\$ 3,323	\$ 3,716	\$ 4,117	\$ 4,513	\$ 4,913	\$ 5,309	\$ 1,002	\$ 462
	14 ft. 168 in.	\$ 0	\$ 0	\$ 2,622	\$ 3,041	\$ 3,458	\$ 3,877	\$ 4,294	\$ 4,710	\$ 5,130	\$ 5,546	\$ 1,089	\$ 462
	15 ft. 180 in.	\$ 0	\$ 0	\$ 2,722	\$ 3,160	\$ 3,597	\$ 4,033	\$ 4,470	\$ 4,908	\$ 5,346	\$ 5,781	\$ 1,147	\$ 462
	16 ft. 192 in.	\$ 0	\$ 0	\$ 0	\$ 3,278	\$ 3,737	\$ 4,193	\$ 4,647	\$ 5,103	\$ 5,562	\$ 6,018	\$ 1,218	\$ 462

		WIDTH											ShyZip	Cable Guide
Feet	Inches	13 ft.	14 ft.	15 ft.	16 ft.	17 ft.	18 ft.	19 ft.	20 ft.	21 ft.	22 ft.	23 ft.		
		156 in.	168 in.	180 in.	192 in.	204 in.	216 in.	228 in.	240 in.	252 in.	264 in.	276 in.		
HEIGHT	4 ft. 48 in.	\$ 3,415	\$ 3,658	\$ 3,893	\$ 4,135	\$ 4,336	\$ 4,571	\$ 4,969	\$ 5,217	\$ 5,847	\$ 6,100	\$ 6,353	\$ 319	\$ 390
	5 ft. 60 in.	\$ 3,674	\$ 3,932	\$ 4,188	\$ 4,452	\$ 4,671	\$ 4,927	\$ 5,341	\$ 5,610	\$ 6,261	\$ 6,535	\$ 6,804	\$ 393	\$ 390
	6 ft. 72 in.	\$ 3,927	\$ 4,209	\$ 4,486	\$ 4,768	\$ 5,008	\$ 5,283	\$ 5,715	\$ 6,005	\$ 6,675	\$ 6,971	\$ 7,261	\$ 464	\$ 390
	7 ft. 84 in.	\$ 4,185	\$ 4,484	\$ 4,782	\$ 5,085	\$ 5,341	\$ 5,639	\$ 6,092	\$ 6,398	\$ 7,089	\$ 7,406	\$ 7,712	\$ 551	\$ 404
	8 ft. 96 in.	\$ 4,441	\$ 4,763	\$ 5,077	\$ 5,399	\$ 5,678	\$ 5,992	\$ 6,467	\$ 6,794	\$ 7,506	\$ 7,838	\$ 8,168	\$ 625	\$ 404
	9 ft. 108 in.	\$ 4,700	\$ 5,037	\$ 5,372	\$ 5,713	\$ 6,013	\$ 6,348	\$ 6,841	\$ 7,189	\$ 7,920	\$ 8,273	\$ 8,622	\$ 683	\$ 404
	10 ft. 120 in.	\$ 4,956	\$ 5,314	\$ 5,668	\$ 6,029	\$ 6,348	\$ 6,704	\$ 7,218	\$ 7,585	\$ 8,334	\$ 8,709	\$ 9,075	\$ 783	\$ 433
	11 ft. 132 in.	\$ 5,214	\$ 5,591	\$ 5,966	\$ 6,345	\$ 6,686	\$ 7,060	\$ 7,593	\$ 7,981	\$ 8,751	\$ 9,141	\$ 9,529	\$ 841	\$ 433
	12 ft. 144 in.	\$ 5,470	\$ 5,868	\$ 6,261	\$ 6,662	\$ 7,021	\$ 7,414	\$ 7,967	\$ 8,374	\$ 9,162	\$ 9,576	\$ 9,985	\$ 915	\$ 462
	13 ft. 156 in.	\$ 5,726	\$ 6,142	\$ 6,559	\$ 6,978	\$ 7,358	\$ 7,770	\$ 8,342	\$ 8,769	\$ 9,576	\$ 10,011	\$ 10,436	\$ 1,002	\$ 462
	14 ft. 168 in.	\$ 5,982	\$ 6,419	\$ 6,855	\$ 7,295	\$ 7,691	\$ 8,126	\$ 8,719	\$ 9,165	\$ 9,990	\$ 10,447	\$ 10,892	\$ 1,089	\$ 462
	15 ft. 180 in.	\$ 6,240	\$ 6,696	\$ 7,150	\$ 7,611	\$ 8,028	\$ 8,482	\$ 9,094	\$ 9,558	\$ 10,407	\$ 10,879	\$ 11,346	\$ 1,147	\$ 462
	16 ft. 192 in.	\$ 6,496	\$ 6,973	\$ 7,448	\$ 7,928	\$ 8,363	\$ 8,835	\$ 9,468	\$ 9,953	\$ 10,821	\$ 11,314	\$ 11,800	\$ 1,218	\$ 462

Note: Manual gear up to 16 ft. Motorized only after 16 ft. Only Insect Screen, Tuffscreen, Super Solar, and Vienne fabrics can be used over 18 ft. Standard Colors: White Quartz, Glacier, Anthracite, Carbon, Urban Bronze, Corten, Granite, Dune, Beach Sand.

Product Options and Surcharges

Motor Options	
BTX 110V AC 45XE RF Motor	\$500
Somfy RTS.....	\$965
Hardware Options	
Custom Powder Coat	Call of Quote

Control Options	
BTX Controls	
BTX Handsender 1 or 6-Channel White	\$125
BTX Wireless Wallswitch (2-Ch or 5-Ch).....	\$150
BTX SmartConnect RS-232 Interface	\$350
BTX Li-ion Recharger	\$50
Somfy Controls	
Somfy Situo RTS 1-Channel White.....	\$175
Somfy Situo RTS 5-Channel White.....	\$250
Somfy Telis RTS 1-Channel Silver or Lounge.....	\$275
Somfy Telis RTS 5-Channel Silver or Lounge.....	\$300
Somfy Telis 16-Channel Pure	\$600
Somfy Decoflex 1-Channel Pure	\$350
Somfy Decoflex 5-Channel Pure	\$375
Somfy Battery Tube, 12V, Reloadable	\$75
Somfy MyLink	\$700
Somfy URTSI	\$1,070
Somfy ST-30 Li-ion Recharger.....	\$40
Somfy Repeater.....	\$545

Fabric List *(See fabric index page 85 for Fabric Grid listing)*



ExoScreen HD

Price Grid 5

ExoScreen HD Manual Retail Pricing

		WIDTH										
Feet												
	Inches	3 ft.	4 ft.	5 ft.	6 ft.	7 ft.	8 ft.	9 ft.	10 ft.	11 ft.	12 ft.	
HEIGHT	4 ft.	48 in.	\$ 1,866	\$ 2,011	\$ 2,182	\$ 2,360	\$ 2,598	\$ 2,868	\$ 3,145	\$ 3,422	\$ 3,696	\$ 3,969
	5 ft.	60 in.	\$ 1,866	\$ 2,011	\$ 2,182	\$ 2,469	\$ 2,769	\$ 3,069	\$ 3,369	\$ 3,669	\$ 3,969	\$ 4,266
	6 ft.	72 in.	\$ 1,866	\$ 2,011	\$ 2,291	\$ 2,614	\$ 2,941	\$ 3,264	\$ 3,590	\$ 3,913	\$ 4,240	\$ 4,559
	7 ft.	84 in.	\$ 1,866	\$ 2,070	\$ 2,413	\$ 2,763	\$ 3,115	\$ 3,465	\$ 3,811	\$ 4,160	\$ 4,513	\$ 4,859
	8 ft.	96 in.	\$ 1,866	\$ 2,166	\$ 2,538	\$ 2,911	\$ 3,290	\$ 3,659	\$ 4,032	\$ 4,408	\$ 4,780	\$ 5,156
	9 ft.	108 in.	\$ 1,866	\$ 2,265	\$ 2,660	\$ 3,059	\$ 3,458	\$ 3,854	\$ 4,259	\$ 4,655	\$ 5,054	\$ 5,449
	10 ft.	120 in.	\$ 0	\$ 2,367	\$ 2,786	\$ 3,208	\$ 3,633	\$ 4,055	\$ 4,480	\$ 4,902	\$ 5,324	\$ 5,746
	11 ft.	132 in.	\$ 0	\$ 2,466	\$ 2,908	\$ 3,359	\$ 3,808	\$ 4,249	\$ 4,701	\$ 5,146	\$ 5,598	\$ 6,043
	12 ft.	144 in.	\$ 0	\$ 2,562	\$ 3,030	\$ 3,504	\$ 3,979	\$ 4,451	\$ 4,922	\$ 5,393	\$ 5,868	\$ 6,336
	13 ft.	156 in.	\$ 0	\$ 0	\$ 3,155	\$ 3,653	\$ 4,154	\$ 4,645	\$ 5,146	\$ 5,641	\$ 6,142	\$ 6,636
	14 ft.	168 in.	\$ 0	\$ 0	\$ 3,277	\$ 3,801	\$ 4,322	\$ 4,846	\$ 5,367	\$ 5,888	\$ 6,412	\$ 6,933
	15 ft.	180 in.	\$ 0	\$ 0	\$ 3,402	\$ 3,949	\$ 4,497	\$ 5,041	\$ 5,588	\$ 6,135	\$ 6,682	\$ 7,226
	16 ft.	192 in.	\$ 0	\$ 0	\$ 0	\$ 4,098	\$ 4,671	\$ 5,242	\$ 5,809	\$ 6,379	\$ 6,953	\$ 7,523

ShyZip	Cable Guide
\$ 319	\$ 390
\$ 393	\$ 390
\$ 464	\$ 390
\$ 551	\$ 404
\$ 625	\$ 404
\$ 683	\$ 404
\$ 783	\$ 433
\$ 841	\$ 433
\$ 915	\$ 462
\$ 1,002	\$ 462
\$ 1,089	\$ 462
\$ 1,147	\$ 462
\$ 1,218	\$ 462

		WIDTH											
Feet													
	Inches	13 ft.	14 ft.	15 ft.	16 ft.	17 ft.	18 ft.	19 ft.	20 ft.	21 ft.	22 ft.	23 ft.	
HEIGHT	4 ft.	48 in.	\$ 4,269	\$ 4,573	\$ 4,866	\$ 5,169	\$ 5,420	\$ 5,713	\$ 6,211	\$ 6,521	\$ 7,309	\$ 7,625	\$ 7,942
	5 ft.	60 in.	\$ 4,592	\$ 4,915	\$ 5,235	\$ 5,565	\$ 5,838	\$ 6,158	\$ 6,676	\$ 7,012	\$ 7,826	\$ 8,169	\$ 8,505
	6 ft.	72 in.	\$ 4,909	\$ 5,262	\$ 5,608	\$ 5,960	\$ 6,260	\$ 6,603	\$ 7,144	\$ 7,507	\$ 8,344	\$ 8,713	\$ 9,076
	7 ft.	84 in.	\$ 5,232	\$ 5,604	\$ 5,977	\$ 6,356	\$ 6,676	\$ 7,048	\$ 7,615	\$ 7,998	\$ 8,862	\$ 9,257	\$ 9,640
	8 ft.	96 in.	\$ 5,552	\$ 5,954	\$ 6,346	\$ 6,748	\$ 7,098	\$ 7,490	\$ 8,084	\$ 8,492	\$ 9,382	\$ 9,798	\$ 10,210
	9 ft.	108 in.	\$ 5,875	\$ 6,297	\$ 6,715	\$ 7,141	\$ 7,516	\$ 7,935	\$ 8,552	\$ 8,987	\$ 9,900	\$ 10,342	\$ 10,777
	10 ft.	120 in.	\$ 6,195	\$ 6,643	\$ 7,085	\$ 7,536	\$ 7,935	\$ 8,380	\$ 9,023	\$ 9,481	\$ 10,418	\$ 10,886	\$ 11,344
	11 ft.	132 in.	\$ 6,518	\$ 6,989	\$ 7,457	\$ 7,932	\$ 8,357	\$ 8,825	\$ 9,491	\$ 9,976	\$ 10,938	\$ 11,426	\$ 11,911
	12 ft.	144 in.	\$ 6,837	\$ 7,335	\$ 7,826	\$ 8,327	\$ 8,776	\$ 9,267	\$ 9,959	\$ 10,467	\$ 11,453	\$ 11,970	\$ 12,481
	13 ft.	156 in.	\$ 7,157	\$ 7,678	\$ 8,199	\$ 8,723	\$ 9,198	\$ 9,712	\$ 10,427	\$ 10,962	\$ 11,970	\$ 12,514	\$ 13,045
	14 ft.	168 in.	\$ 7,477	\$ 8,024	\$ 8,568	\$ 9,119	\$ 9,613	\$ 10,157	\$ 10,899	\$ 11,456	\$ 12,488	\$ 13,058	\$ 13,615
	15 ft.	180 in.	\$ 7,800	\$ 8,370	\$ 8,937	\$ 9,514	\$ 10,035	\$ 10,602	\$ 11,367	\$ 11,947	\$ 13,009	\$ 13,599	\$ 14,182
	16 ft.	192 in.	\$ 8,120	\$ 8,716	\$ 9,310	\$ 9,910	\$ 10,454	\$ 11,044	\$ 11,835	\$ 12,442	\$ 13,526	\$ 14,143	\$ 14,749

ShyZip	Cable Guide
\$ 319	\$ 390
\$ 393	\$ 390
\$ 464	\$ 390
\$ 551	\$ 404
\$ 625	\$ 404
\$ 683	\$ 404
\$ 783	\$ 433
\$ 841	\$ 433
\$ 915	\$ 462
\$ 1,002	\$ 462
\$ 1,089	\$ 462
\$ 1,147	\$ 462
\$ 1,218	\$ 462

Note: Manual gear up to 16 ft. Motorized only after 16 ft. Only Insect Screen, Tuffscreen, Super Solar, and Vienne fabrics can be used over 18 ft. Standard Colors: White Quartz, Glacier, Anthracite, Carbon, Urban Bronze, Corten, Granite, Dune, Beach Sand.

Product Options and Surcharges

Motor Options	
BTX 110V AC 45XE RF Motor	\$500
Somfy RTS.....	\$965
Hardware Options	
Custom Powder Coat	Call of Quote

Control Options	
BTX Controls	
BTX Handsender 1 or 6-Channel White	\$125
BTX Wireless Wallswitch (2-Ch or 5-Ch).....	\$150
BTX SmartConnect RS-232 Interface	\$350
BTX Li-ion Recharger	\$50
Somfy Controls	
Somfy Situo RTS 1-Channel White.....	\$175
Somfy Situo RTS 5-Channel White.....	\$250
Somfy Telis RTS 1-Channel Silver or Lounge.....	\$275
Somfy Telis RTS 5-Channel Silver or Lounge.....	\$300
Somfy Telis 16-Channel Pure	\$600
Somfy Decoflex 1-Channel Pure	\$350
Somfy Decoflex 5-Channel Pure	\$375
Somfy Battery Tube, 12V, Reloadable.....	\$75
Somfy MyLink	\$700
Somfy URTSI	\$1,070
Somfy ST-30 Li-ion Recharger.....	\$40
Somfy Repeater.....	\$545

Fabric List *(See fabric index page 85 for Fabric Grid listing)*



ExoScreen HD

Clear Vinyl with Borders

ExoScreen HD Manual Retail Pricing

		WIDTH																ShyZip	Cable Guide
Feet																			
	3 ft.	4 ft.	5 ft.	6 ft.	7 ft.	8 ft.	9 ft.	10 ft.	11 ft.	12 ft.	13 ft.	14 ft.	15 ft.	16 ft.	17 ft.	18 ft.			
Inches	36 in.	48 in.	60 in.	72 in.	84 in.	96 in.	108 in.	120 in.	132 in.	144 in.	156 in.	168 in.	180 in.	192 in.	204 in.	216 in.			
HEIGHT	4 ft. 48 in.	\$ 2,358	\$ 2,363	\$ 2,500	\$ 2,640	\$ 2,782	\$ 2,925	\$ 3,065	\$ 3,204	\$ 3,524	\$ 3,732	\$ 3,953	\$ 4,180	\$ 4,407	\$ 4,766	\$ 4,950	\$ 5,175	\$ 319	\$ 390
	5 ft. 60 in.	\$ 2,358	\$ 2,379	\$ 2,516	\$ 2,658	\$ 2,796	\$ 2,938	\$ 3,146	\$ 3,360	\$ 3,719	\$ 3,940	\$ 4,180	\$ 4,423	\$ 4,665	\$ 5,040	\$ 5,243	\$ 5,483	\$ 393	\$ 390
	6 ft. 72 in.	\$ 2,358	\$ 2,392	\$ 2,532	\$ 2,672	\$ 2,825	\$ 3,067	\$ 3,305	\$ 3,539	\$ 3,914	\$ 4,151	\$ 4,407	\$ 4,665	\$ 4,924	\$ 5,320	\$ 5,533	\$ 5,789	\$ 464	\$ 390
	7 ft. 84 in.	\$ 2,358	\$ 2,408	\$ 2,548	\$ 2,701	\$ 2,956	\$ 3,212	\$ 3,468	\$ 3,719	\$ 4,106	\$ 4,362	\$ 4,634	\$ 4,908	\$ 5,185	\$ 5,591	\$ 5,823	\$ 6,098	\$ 551	\$ 404
	8 ft. 96 in.	\$ 2,358	\$ 2,424	\$ 2,561	\$ 2,814	\$ 3,083	\$ 3,357	\$ 3,629	\$ 3,895	\$ 4,302	\$ 4,571	\$ 4,861	\$ 5,151	\$ 5,444	\$ 5,871	\$ 6,116	\$ 6,406	\$ 625	\$ 404
	9 ft. 108 in.	\$ 2,358	\$ 2,440	\$ 2,640	\$ 2,927	\$ 3,215	\$ 3,505	\$ 3,790	\$ 4,075	\$ 4,494	\$ 4,782	\$ 5,087	\$ 5,393	\$ 5,699	\$ 6,142	\$ 6,409	\$ 6,715	\$ 683	\$ 404
	10 ft. 120 in.	\$ 2,358	\$ 2,453	\$ 2,735	\$ 3,041	\$ 3,342	\$ 3,647	\$ 3,951	\$ 4,251	\$ 4,687	\$ 4,993	\$ 5,312	\$ 5,639	\$ 5,958	\$ 6,419	\$ 6,702	\$ 7,023	\$ 783	\$ 433
	11 ft. 132 in.	\$ 2,358	\$ 2,513	\$ 2,830	\$ 3,154	\$ 3,471	\$ 3,793	\$ 4,114	\$ 4,428	\$ 4,882	\$ 5,204	\$ 5,541	\$ 5,879	\$ 6,219	\$ 6,694	\$ 6,989	\$ 7,329	\$ 841	\$ 433
12 ft. 144 in.	\$ 2,358	\$ 2,598	\$ 2,930	\$ 3,268	\$ 3,600	\$ 3,940	\$ 4,275	\$ 4,607	\$ 5,080	\$ 5,412	\$ 5,768	\$ 6,124	\$ 6,477	\$ 6,971	\$ 7,282	\$ 7,638	\$ 915	\$ 462	

Note: Manual gear up to 16 ft. Motorized only after 16 ft. Only Insect Screen, Tuffscreen, Super Solar, and Vienne fabrics can be used over 18 ft. Standard Colors: White Quartz, Glacier, Anthracite, Carbon, Urban Bronze, Corten, Granite, Dune, Beach Sand.

Surcharges

Feet	3 ft.	4 ft.	5 ft.	6 ft.	7 ft.	8 ft.	9 ft.	10 ft.	11 ft.	12 ft.	13 ft.	14 ft.	15 ft.	16 ft.	17 ft.	18 ft.
Inches	36 in.	48 in.	60 in.	72 in.	84 in.	96 in.	108 in.	120 in.	132 in.	144 in.	156 in.	168 in.	180 in.	192 in.	204 in.	216 in.
Heavy Duty Bottom Bar	\$ 84	\$ 90	\$ 98	\$ 105	\$ 116	\$ 129	\$ 140	\$ 153	\$ 164	\$ 177	\$ 187	\$ 198	\$ 211	\$ 222	\$ 235	\$ 245

Product Options and Surcharges

Motor Options

BTX 110V AC 45XE RF Motor	\$500
Somfy RTS.....	\$965

Hardware Options

Custom Powder Coat	Call of Quote
--------------------------	---------------

Control Options

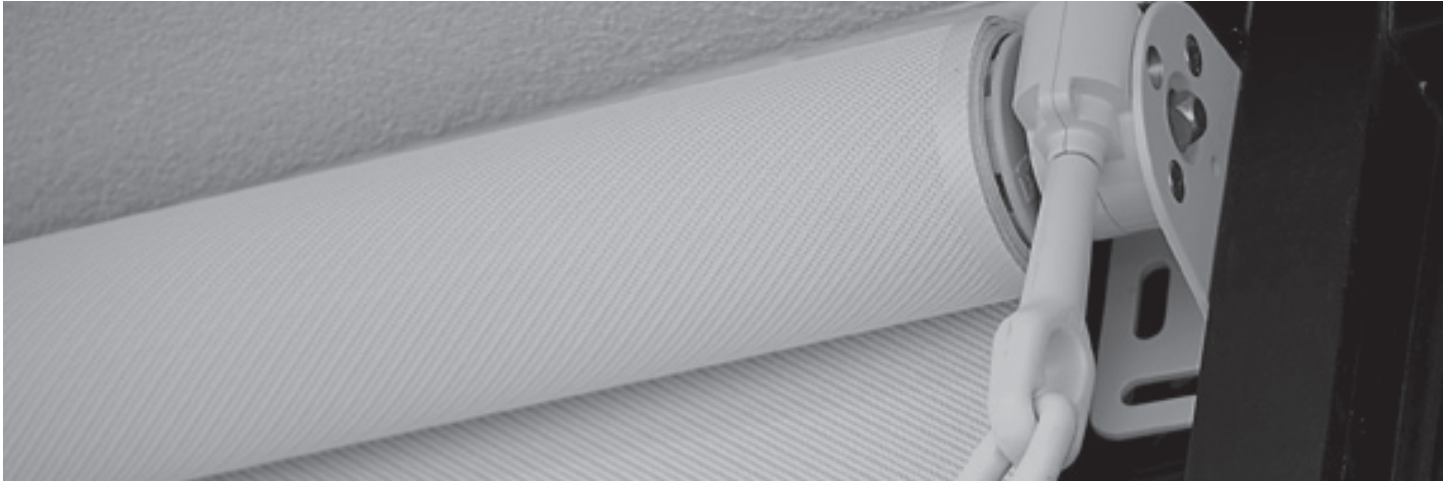
BTX Controls

BTX Handsender 1 or 6-Channel White	\$125
BTX Wireless Wallswitch (2-Ch or 5-Ch).....	\$150
BTX SmartConnect RS-232 Interface	\$350
BTX Li-ion Recharger	\$50

Somfy Controls

Somfy Situo RTS 1-Channel White.....	\$175
Somfy Situo RTS 5-Channel White.....	\$250
Somfy Telis RTS 1-Channel Silver or Lounge.....	\$275
Somfy Telis RTS 5-Channel Silver or Lounge.....	\$300
Somfy Telis 16-Channel Pure	\$600
Somfy Decoflex 1-Channel Pure	\$350
Somfy Decoflex 5-Channel Pure	\$375
Somfy Battery Tube, 12V, Reloadable	\$75
Somfy MyLink	\$700
Somfy URTSI	\$1,070
Somfy ST-30 Li-ion Recharger.....	\$40
Somfy Repeater.....	\$545

Fabric List [\(See fabric index page 85 for Fabric Grid listing\)](#)



ExoLite systems are available in both manual and motorized options and are ideal for exterior shading solutions. ExoLite systems are built as an open-roll system where the hardware and fabric roll are visible. By automating your exterior shades, it's easy to make these products a functional and comprehensive design solution that combines the advantages of heat mitigation, ergonomics, and privacy.



ExoLite Manual Exterior Shade System

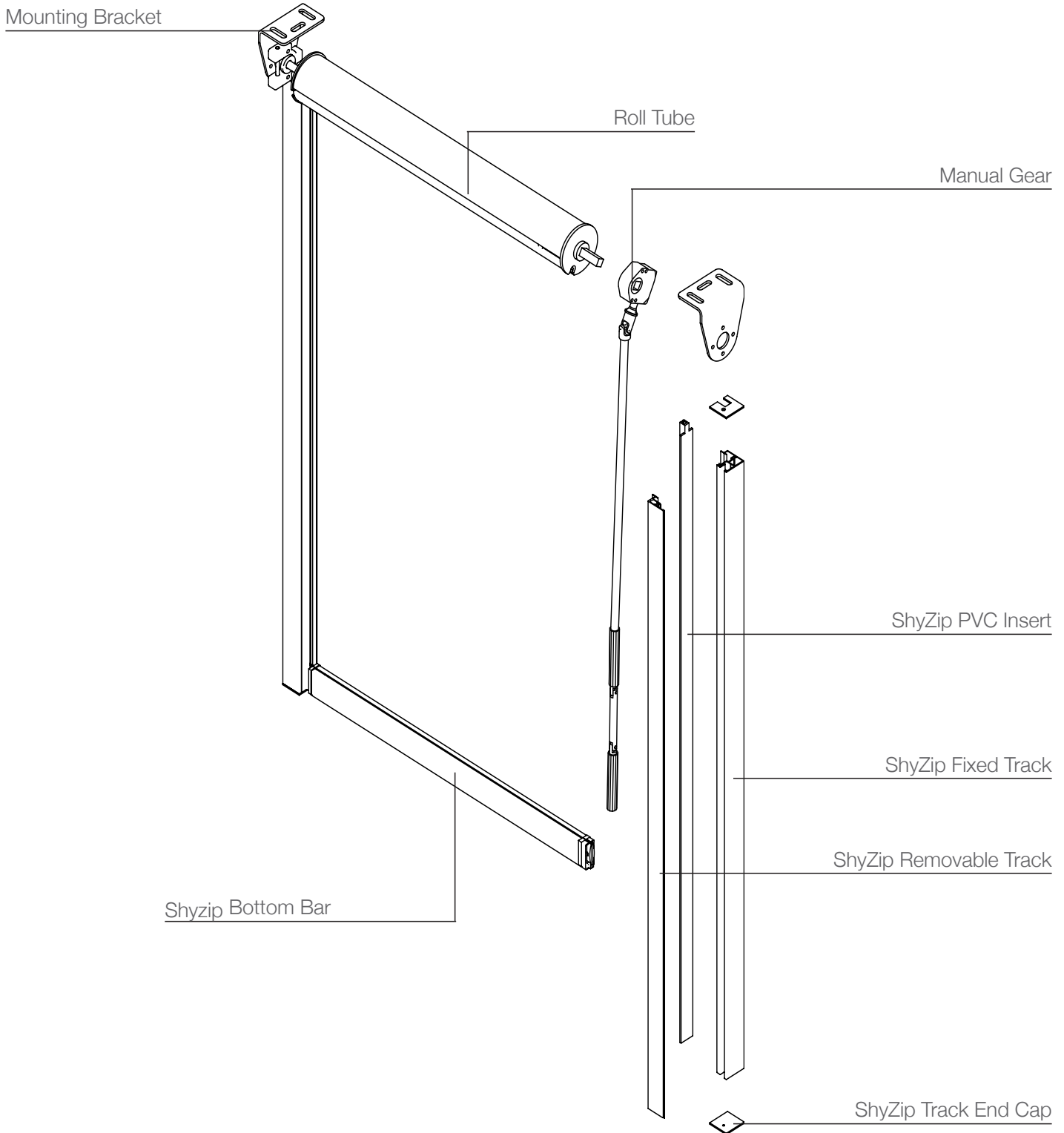
- Max size: 16 ft. by 16 ft. (depending on fabric weight)
- 3 in. tube with cassette
- Option of ShyZip size zipper or cable guide



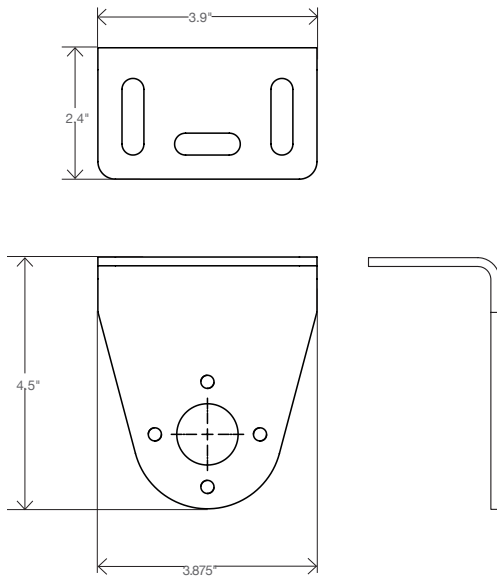
ExoLite Motorized Exterior Shade System

- 110V AC 20Nm Motor with Electronic Limits
- Max size: 18 ft. by 16 ft. (depending on fabric weight)
- 3 in. tube with cassette
- Option of ShyZip size zipper or cable guide

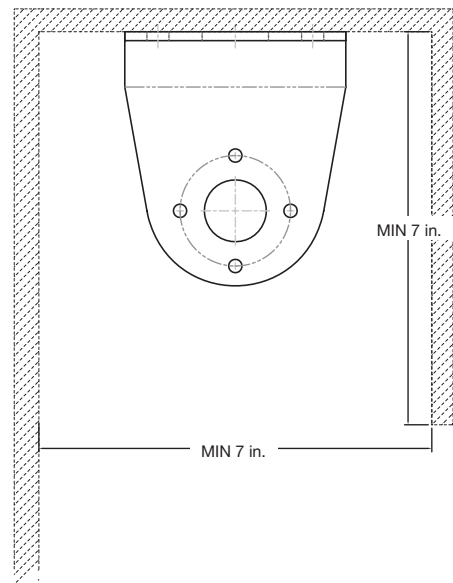
ExoLite Exploded View



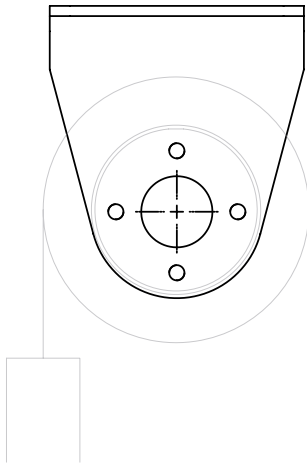
Bracket Detail



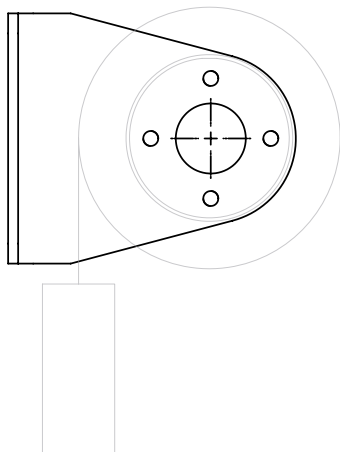
Pocket Detail



Ceiling Mount



Wall Mount





ExoLite Manual Retail Pricing

Feet		WIDTH									
		3 ft.	4 ft.	5 ft.	6 ft.	7 ft.	8 ft.	9 ft.	10 ft.	11 ft.	12 ft.
HEIGHT	Inches	36 in.	48 in.	60 in.	72 in.	84 in.	96 in.	108 in.	120 in.	132 in.	144 in.
	4 ft.	48 in.	\$ 717	\$ 789	\$ 857	\$ 928	\$ 997	\$ 1,079	\$ 1,176	\$ 1,266	\$ 1,358
5 ft.	60 in.	\$ 717	\$ 789	\$ 857	\$ 928	\$ 1,026	\$ 1,126	\$ 1,229	\$ 1,321	\$ 1,419	\$ 1,519
6 ft.	72 in.	\$ 717	\$ 789	\$ 857	\$ 963	\$ 1,068	\$ 1,168	\$ 1,276	\$ 1,379	\$ 1,485	\$ 1,588
7 ft.	84 in.	\$ 717	\$ 789	\$ 886	\$ 997	\$ 1,105	\$ 1,216	\$ 1,329	\$ 1,437	\$ 1,548	\$ 1,659
8 ft.	96 in.	\$ 717	\$ 799	\$ 915	\$ 1,029	\$ 1,147	\$ 1,263	\$ 1,382	\$ 1,495	\$ 1,611	\$ 1,725
9 ft.	108 in.	\$ 717	\$ 823	\$ 944	\$ 1,065	\$ 1,187	\$ 1,308	\$ 1,435	\$ 1,553	\$ 1,672	\$ 1,793
10 ft.	120 in.	\$ 0	\$ 847	\$ 971	\$ 1,100	\$ 1,226	\$ 1,356	\$ 1,485	\$ 1,609	\$ 1,735	\$ 1,865
11 ft.	132 in.	\$ 0	\$ 870	\$ 1,000	\$ 1,134	\$ 1,269	\$ 1,400	\$ 1,535	\$ 1,667	\$ 1,801	\$ 1,933
12 ft.	144 in.	\$ 0	\$ 889	\$ 1,029	\$ 1,168	\$ 1,308	\$ 1,445	\$ 1,588	\$ 1,725	\$ 1,865	\$ 2,002
13 ft.	156 in.	\$ 0	\$ 0	\$ 1,058	\$ 1,203	\$ 1,350	\$ 1,493	\$ 1,640	\$ 1,783	\$ 1,925	\$ 2,070
14 ft.	168 in.	\$ 0	\$ 0	\$ 1,087	\$ 1,240	\$ 1,387	\$ 1,538	\$ 1,693	\$ 1,838	\$ 1,989	\$ 2,139
15 ft.	180 in.	\$ 0	\$ 0	\$ 1,116	\$ 1,274	\$ 1,427	\$ 1,585	\$ 1,743	\$ 1,896	\$ 2,052	\$ 2,210
16 ft.	192 in.	\$ 0	\$ 0	\$ 0	\$ 1,305	\$ 1,469	\$ 1,630	\$ 1,793	\$ 1,954	\$ 2,115	\$ 2,276

ShyZip	Cable Guide
\$ 319	\$ 364
\$ 393	\$ 364
\$ 464	\$ 364
\$ 551	\$ 377
\$ 625	\$ 377
\$ 683	\$ 377
\$ 783	\$ 406
\$ 841	\$ 406
\$ 915	\$ 435
\$ 1,002	\$ 435
\$ 1,089	\$ 435
\$ 1,147	\$ 435
\$ 1,218	\$ 435

Feet		WIDTH										
		13 ft.	14 ft.	15 ft.	16 ft.	17 ft.	18 ft.	19 ft.	20 ft.	21 ft.	22 ft.	23 ft.
HEIGHT	Inches	156 in.	168 in.	180 in.	192 in.	204 in.	216 in.	228 in.	240 in.	252 in.	264 in.	276 in.
	4 ft.	48 in.	\$ 1,564	\$ 1,675	\$ 1,788	\$ 1,902	\$ 1,975	\$ 2,091	\$ 2,366	\$ 2,487	\$ 2,788	\$ 2,912
5 ft.	60 in.	\$ 1,640	\$ 1,756	\$ 1,875	\$ 1,994	\$ 2,076	\$ 2,194	\$ 2,476	\$ 2,603	\$ 2,909	\$ 3,041	\$ 3,160
6 ft.	72 in.	\$ 1,714	\$ 1,838	\$ 1,962	\$ 2,084	\$ 2,171	\$ 2,297	\$ 2,585	\$ 2,716	\$ 3,028	\$ 3,165	\$ 3,291
7 ft.	84 in.	\$ 1,791	\$ 1,917	\$ 2,044	\$ 2,176	\$ 2,268	\$ 2,400	\$ 2,693	\$ 2,833	\$ 3,149	\$ 3,291	\$ 3,423
8 ft.	96 in.	\$ 1,862	\$ 1,996	\$ 2,131	\$ 2,271	\$ 2,368	\$ 2,503	\$ 2,801	\$ 2,943	\$ 3,265	\$ 3,410	\$ 3,550
9 ft.	108 in.	\$ 1,938	\$ 2,078	\$ 2,218	\$ 2,360	\$ 2,463	\$ 2,606	\$ 2,912	\$ 3,062	\$ 3,392	\$ 3,545	\$ 3,687
10 ft.	120 in.	\$ 2,012	\$ 2,157	\$ 2,302	\$ 2,453	\$ 2,561	\$ 2,711	\$ 3,022	\$ 3,178	\$ 3,513	\$ 3,671	\$ 3,822
11 ft.	132 in.	\$ 2,086	\$ 2,239	\$ 2,389	\$ 2,545	\$ 2,658	\$ 2,814	\$ 3,125	\$ 3,289	\$ 3,626	\$ 3,793	\$ 3,943
12 ft.	144 in.	\$ 2,163	\$ 2,318	\$ 2,476	\$ 2,635	\$ 2,756	\$ 2,917	\$ 3,239	\$ 3,407	\$ 3,753	\$ 3,924	\$ 4,085
13 ft.	156 in.	\$ 2,236	\$ 2,400	\$ 2,561	\$ 2,727	\$ 2,856	\$ 3,020	\$ 3,347	\$ 3,518	\$ 3,869	\$ 4,043	\$ 4,209
14 ft.	168 in.	\$ 2,313	\$ 2,479	\$ 2,648	\$ 2,822	\$ 2,951	\$ 3,123	\$ 3,455	\$ 3,634	\$ 3,988	\$ 4,172	\$ 4,341
15 ft.	180 in.	\$ 2,384	\$ 2,561	\$ 2,735	\$ 2,912	\$ 3,049	\$ 3,228	\$ 3,566	\$ 3,753	\$ 4,117	\$ 4,304	\$ 4,484
16 ft.	192 in.	\$ 2,461	\$ 2,643	\$ 2,819	\$ 3,004	\$ 3,149	\$ 3,328	\$ 3,674	\$ 3,864	\$ 4,233	\$ 4,423	\$ 4,607

ShyZip	Cable Guide
\$ 319	\$ 364
\$ 393	\$ 364
\$ 464	\$ 364
\$ 551	\$ 377
\$ 625	\$ 377
\$ 683	\$ 377
\$ 783	\$ 406
\$ 841	\$ 406
\$ 915	\$ 435
\$ 1,002	\$ 435
\$ 1,089	\$ 435
\$ 1,147	\$ 435
\$ 1,218	\$ 435

Note: Manual gear up to 16 ft. Motorized only after 16 ft. Only Insect Screen, Tuffscreen, Super Solar, and Vienne fabrics can be used over 18 ft. Standard Colors: White Quartz, Glacier, Anthracite, Carbon, Urban Bronze, Corten, Granite, Dune, Beach Sand.

Product Options and Surcharges

Motor Options	
BTX 110V AC 45XE RF Motor	\$500
Somfy RTS.....	\$965
Hardware Options	
Custom Powder Coat	Call of Quote

Control Options	
BTX Controls	
BTX Handsender 1 or 6-Channel White	\$125
BTX Wireless Wallswitch (2-Ch or 5-Ch).....	\$150
BTX SmartConnect RS-232 Interface	\$350
BTX Li-ion Recharger	\$50
Somfy Controls	
Somfy Situo RTS 1-Channel White.....	\$175
Somfy Situo RTS 5-Channel White.....	\$250
Somfy Telis RTS 1-Channel Silver or Lounge.....	\$275
Somfy Telis RTS 5-Channel Silver or Lounge.....	\$300
Somfy Telis 16-Channel Pure	\$600
Somfy Decoflex 1-Channel Pure	\$350
Somfy Decoflex 5-Channel Pure	\$375
Somfy Battery Tube, 12V, Reloadable.....	\$75
Somfy MyLink	\$700
Somfy URTSI	\$1,070
Somfy ST-30 Li-ion Recharger.....	\$40
Somfy Repeater.....	\$545

Fabric List *(See fabric index page 85 for Fabric Grid listing)*



ExoLite Manual Retail Pricing

		WIDTH										ShyZip	Cable Guide
Feet		3 ft.	4 ft.	5 ft.	6 ft.	7 ft.	8 ft.	9 ft.	10 ft.	11 ft.	12 ft.		
	Inches	36 in.	48 in.	60 in.	72 in.	84 in.	96 in.	108 in.	120 in.	132 in.	144 in.		
HEIGHT	4 ft. 48 in.	\$ 804	\$ 876	\$ 944	\$ 1,015	\$ 1,108	\$ 1,218	\$ 1,332	\$ 1,440	\$ 1,551	\$ 1,662	\$ 319	\$ 364
	5 ft. 60 in.	\$ 804	\$ 876	\$ 944	\$ 1,058	\$ 1,182	\$ 1,300	\$ 1,424	\$ 1,543	\$ 1,664	\$ 1,783	\$ 393	\$ 364
	6 ft. 72 in.	\$ 804	\$ 876	\$ 989	\$ 1,121	\$ 1,250	\$ 1,382	\$ 1,514	\$ 1,643	\$ 1,775	\$ 1,904	\$ 464	\$ 364
	7 ft. 84 in.	\$ 804	\$ 899	\$ 1,042	\$ 1,182	\$ 1,324	\$ 1,464	\$ 1,609	\$ 1,746	\$ 1,888	\$ 2,025	\$ 551	\$ 377
	8 ft. 96 in.	\$ 804	\$ 939	\$ 1,089	\$ 1,242	\$ 1,393	\$ 1,543	\$ 1,698	\$ 1,846	\$ 1,996	\$ 2,149	\$ 625	\$ 377
	9 ft. 108 in.	\$ 820	\$ 978	\$ 1,142	\$ 1,303	\$ 1,466	\$ 1,625	\$ 1,791	\$ 1,949	\$ 2,110	\$ 2,271	\$ 683	\$ 377
	10 ft. 120 in.	\$ 0	\$ 1,021	\$ 1,192	\$ 1,364	\$ 1,535	\$ 1,706	\$ 1,880	\$ 2,049	\$ 2,221	\$ 2,392	\$ 783	\$ 406
	11 ft. 132 in.	\$ 0	\$ 1,060	\$ 1,245	\$ 1,424	\$ 1,606	\$ 1,788	\$ 1,973	\$ 2,152	\$ 2,334	\$ 2,513	\$ 841	\$ 406
	12 ft. 144 in.	\$ 0	\$ 1,102	\$ 1,292	\$ 1,485	\$ 1,677	\$ 1,870	\$ 2,062	\$ 2,252	\$ 2,445	\$ 2,635	\$ 915	\$ 435
	13 ft. 156 in.	\$ 0	\$ 0	\$ 1,345	\$ 1,545	\$ 1,749	\$ 1,949	\$ 2,157	\$ 2,355	\$ 2,558	\$ 2,759	\$ 1,002	\$ 435
	14 ft. 168 in.	\$ 0	\$ 0	\$ 1,395	\$ 1,606	\$ 1,820	\$ 2,031	\$ 2,247	\$ 2,455	\$ 2,666	\$ 2,880	\$ 1,089	\$ 435
	15 ft. 180 in.	\$ 0	\$ 0	\$ 1,448	\$ 1,667	\$ 1,891	\$ 2,113	\$ 2,339	\$ 2,558	\$ 2,780	\$ 3,001	\$ 1,147	\$ 435
16 ft. 192 in.	\$ 0	\$ 0	\$ 0	\$ 1,730	\$ 1,962	\$ 2,194	\$ 2,429	\$ 2,658	\$ 2,891	\$ 3,123	\$ 1,218	\$ 435	

		WIDTH											ShyZip	Cable Guide
Feet		13 ft.	14 ft.	15 ft.	16 ft.	17 ft.	18 ft.	19 ft.	20 ft.	21 ft.	22 ft.	23 ft.		
	Inches	156 in.	168 in.	180 in.	192 in.	204 in.	216 in.	228 in.	240 in.	252 in.	264 in.	276 in.		
HEIGHT	4 ft. 48 in.	\$ 1,793	\$ 1,923	\$ 2,052	\$ 2,184	\$ 2,276	\$ 2,408	\$ 2,701	\$ 2,840	\$ 3,157	\$ 3,299	\$ 3,431	\$ 319	\$ 364
	5 ft. 60 in.	\$ 1,925	\$ 2,065	\$ 2,205	\$ 2,345	\$ 2,450	\$ 2,590	\$ 2,893	\$ 3,044	\$ 3,371	\$ 3,521	\$ 3,666	\$ 393	\$ 364
	6 ft. 72 in.	\$ 2,057	\$ 2,207	\$ 2,355	\$ 2,508	\$ 2,619	\$ 2,772	\$ 3,086	\$ 3,247	\$ 3,582	\$ 3,745	\$ 3,898	\$ 464	\$ 364
	7 ft. 84 in.	\$ 2,192	\$ 2,347	\$ 2,508	\$ 2,669	\$ 2,793	\$ 2,954	\$ 3,281	\$ 3,450	\$ 3,798	\$ 3,969	\$ 4,133	\$ 551	\$ 377
	8 ft. 96 in.	\$ 2,321	\$ 2,490	\$ 2,661	\$ 2,833	\$ 2,964	\$ 3,138	\$ 3,471	\$ 3,653	\$ 4,009	\$ 4,191	\$ 4,365	\$ 625	\$ 377
	9 ft. 108 in.	\$ 2,455	\$ 2,632	\$ 2,814	\$ 2,996	\$ 3,138	\$ 3,320	\$ 3,666	\$ 3,856	\$ 4,222	\$ 4,415	\$ 4,600	\$ 683	\$ 377
	10 ft. 120 in.	\$ 2,585	\$ 2,775	\$ 2,964	\$ 3,157	\$ 3,310	\$ 3,502	\$ 3,856	\$ 4,059	\$ 4,436	\$ 4,639	\$ 4,832	\$ 783	\$ 406
	11 ft. 132 in.	\$ 2,719	\$ 2,917	\$ 3,117	\$ 3,320	\$ 3,484	\$ 3,687	\$ 4,051	\$ 4,262	\$ 4,650	\$ 4,861	\$ 5,066	\$ 841	\$ 406
	12 ft. 144 in.	\$ 2,848	\$ 3,059	\$ 3,270	\$ 3,481	\$ 3,655	\$ 3,869	\$ 4,244	\$ 4,465	\$ 4,861	\$ 5,085	\$ 5,298	\$ 915	\$ 435
	13 ft. 156 in.	\$ 2,983	\$ 3,202	\$ 3,423	\$ 3,645	\$ 3,829	\$ 4,051	\$ 4,436	\$ 4,668	\$ 5,077	\$ 5,309	\$ 5,533	\$ 1,002	\$ 435
	14 ft. 168 in.	\$ 3,112	\$ 3,344	\$ 3,574	\$ 3,808	\$ 4,001	\$ 4,236	\$ 4,629	\$ 4,871	\$ 5,288	\$ 5,533	\$ 5,765	\$ 1,089	\$ 435
	15 ft. 180 in.	\$ 3,247	\$ 3,487	\$ 3,727	\$ 3,969	\$ 4,175	\$ 4,418	\$ 4,824	\$ 5,074	\$ 5,502	\$ 5,755	\$ 6,000	\$ 1,147	\$ 435
16 ft. 192 in.	\$ 3,376	\$ 3,629	\$ 3,880	\$ 4,133	\$ 4,346	\$ 4,600	\$ 5,014	\$ 5,277	\$ 5,715	\$ 5,979	\$ 6,232	\$ 1,218	\$ 435	

Note: Manual gear up to 16 ft. Motorized only after 16 ft. Only Insect Screen, Tuffscreen, Super Solar, and Vienne fabrics can be used over 18 ft. Standard Colors: White Quartz, Glacier, Anthracite, Carbon, Urban Bronze, Corten, Granite, Dune, Beach Sand.

Product Options and Surcharges

Motor Options	
BTX 110V AC 45XE RF Motor	\$500
Somfy RTS.....	\$965
Hardware Options	
Custom Powder Coat	Call of Quote

Control Options	
BTX Controls	
BTX Handsender 1 or 6-Channel White	\$125
BTX Wireless Wallswitch (2-Ch or 5-Ch).....	\$150
BTX SmartConnect RS-232 Interface	\$350
BTX Li-ion Recharger	\$50
Somfy Controls	
Somfy Situo RTS 1-Channel White.....	\$175
Somfy Situo RTS 5-Channel White.....	\$250
Somfy Telis RTS 1-Channel Silver or Lounge.....	\$275
Somfy Telis RTS 5-Channel Silver or Lounge.....	\$300
Somfy Telis 16-Channel Pure	\$600
Somfy Decoflex 1-Channel Pure	\$350
Somfy Decoflex 5-Channel Pure	\$375
Somfy Battery Tube, 12V, Reloadable	\$75
Somfy MyLink	\$700
Somfy URTSI	\$1,070
Somfy ST-30 Li-ion Recharger.....	\$40
Somfy Repeater.....	\$545

Fabric List (See fabric index page 85 for Fabric Grid listing)



ExoLite Manual Retail Pricing

Feet		WIDTH									
		3 ft.	4 ft.	5 ft.	6 ft.	7 ft.	8 ft.	9 ft.	10 ft.	11 ft.	12 ft.
HEIGHT	Inches	36 in.	48 in.	60 in.	72 in.	84 in.	96 in.	108 in.	120 in.	132 in.	144 in.
	4 ft.	48 in.	\$ 949	\$ 1,021	\$ 1,089	\$ 1,160	\$ 1,271	\$ 1,406	\$ 1,540	\$ 1,672	\$ 1,807
5 ft.	60 in.	\$ 949	\$ 1,021	\$ 1,089	\$ 1,232	\$ 1,385	\$ 1,532	\$ 1,685	\$ 1,833	\$ 1,983	\$ 2,131
6 ft.	72 in.	\$ 949	\$ 1,021	\$ 1,163	\$ 1,329	\$ 1,495	\$ 1,659	\$ 1,828	\$ 1,991	\$ 2,157	\$ 2,324
7 ft.	84 in.	\$ 949	\$ 1,060	\$ 1,245	\$ 1,424	\$ 1,606	\$ 1,788	\$ 1,973	\$ 2,152	\$ 2,331	\$ 2,513
8 ft.	96 in.	\$ 949	\$ 1,124	\$ 1,321	\$ 1,519	\$ 1,717	\$ 1,915	\$ 2,115	\$ 2,310	\$ 2,508	\$ 2,706
9 ft.	108 in.	\$ 976	\$ 1,189	\$ 1,403	\$ 1,617	\$ 1,830	\$ 2,044	\$ 2,258	\$ 2,471	\$ 2,682	\$ 2,896
10 ft.	120 in.	\$ 0	\$ 1,253	\$ 1,482	\$ 1,712	\$ 1,941	\$ 2,171	\$ 2,403	\$ 2,629	\$ 2,859	\$ 3,088
11 ft.	132 in.	\$ 0	\$ 1,316	\$ 1,564	\$ 1,807	\$ 2,052	\$ 2,297	\$ 2,545	\$ 2,790	\$ 3,033	\$ 3,281
12 ft.	144 in.	\$ 0	\$ 1,379	\$ 1,640	\$ 1,904	\$ 2,165	\$ 2,426	\$ 2,690	\$ 2,949	\$ 3,210	\$ 3,468
13 ft.	156 in.	\$ 0	\$ 0	\$ 1,722	\$ 1,999	\$ 2,273	\$ 2,553	\$ 2,833	\$ 3,109	\$ 3,384	\$ 3,661
14 ft.	168 in.	\$ 0	\$ 0	\$ 1,801	\$ 2,094	\$ 2,387	\$ 2,682	\$ 2,978	\$ 3,268	\$ 3,558	\$ 3,851
15 ft.	180 in.	\$ 0	\$ 0	\$ 1,880	\$ 2,189	\$ 2,498	\$ 2,809	\$ 3,120	\$ 3,423	\$ 3,735	\$ 4,043
16 ft.	192 in.	\$ 0	\$ 0	\$ 0	\$ 2,287	\$ 2,611	\$ 2,935	\$ 3,262	\$ 3,584	\$ 3,909	\$ 4,236

ShyZip	Cable Guide
\$ 319	\$ 364
\$ 393	\$ 364
\$ 464	\$ 364
\$ 551	\$ 377
\$ 625	\$ 377
\$ 683	\$ 377
\$ 783	\$ 406
\$ 841	\$ 406
\$ 915	\$ 435
\$ 1,002	\$ 435
\$ 1,089	\$ 435
\$ 1,147	\$ 435
\$ 1,218	\$ 435

Feet		WIDTH										
		13 ft.	14 ft.	15 ft.	16 ft.	17 ft.	18 ft.	19 ft.	20 ft.	21 ft.	22 ft.	23 ft.
HEIGHT	Inches	156 in.	168 in.	180 in.	192 in.	204 in.	216 in.	228 in.	240 in.	252 in.	264 in.	276 in.
	4 ft.	48 in.	\$ 2,094	\$ 2,247	\$ 2,400	\$ 2,553	\$ 2,669	\$ 2,825	\$ 3,141	\$ 3,305	\$ 3,642	\$ 3,808
5 ft.	60 in.	\$ 2,302	\$ 2,471	\$ 2,637	\$ 2,809	\$ 2,938	\$ 3,112	\$ 3,442	\$ 3,624	\$ 3,977	\$ 4,159	\$ 4,331
6 ft.	72 in.	\$ 2,511	\$ 2,693	\$ 2,877	\$ 3,065	\$ 3,212	\$ 3,400	\$ 3,748	\$ 3,943	\$ 4,312	\$ 4,510	\$ 4,697
7 ft.	84 in.	\$ 2,716	\$ 2,917	\$ 3,115	\$ 3,320	\$ 3,481	\$ 3,687	\$ 4,048	\$ 4,262	\$ 4,647	\$ 4,861	\$ 5,064
8 ft.	96 in.	\$ 2,925	\$ 3,141	\$ 3,357	\$ 3,576	\$ 3,756	\$ 3,969	\$ 4,349	\$ 4,573	\$ 4,977	\$ 5,204	\$ 5,422
9 ft.	108 in.	\$ 3,131	\$ 3,363	\$ 3,595	\$ 3,827	\$ 4,025	\$ 4,257	\$ 4,655	\$ 4,895	\$ 5,317	\$ 5,562	\$ 5,797
10 ft.	120 in.	\$ 3,339	\$ 3,587	\$ 3,832	\$ 4,083	\$ 4,294	\$ 4,544	\$ 4,956	\$ 5,214	\$ 5,652	\$ 5,913	\$ 6,164
11 ft.	132 in.	\$ 3,545	\$ 3,808	\$ 4,072	\$ 4,338	\$ 4,568	\$ 4,832	\$ 5,262	\$ 5,533	\$ 5,987	\$ 6,264	\$ 6,530
12 ft.	144 in.	\$ 3,750	\$ 4,030	\$ 4,312	\$ 4,594	\$ 4,837	\$ 5,119	\$ 5,562	\$ 5,852	\$ 6,322	\$ 6,615	\$ 6,897
13 ft.	156 in.	\$ 3,961	\$ 4,254	\$ 4,552	\$ 4,847	\$ 5,106	\$ 5,407	\$ 5,865	\$ 6,171	\$ 6,654	\$ 6,965	\$ 7,263
14 ft.	168 in.	\$ 4,167	\$ 4,478	\$ 4,789	\$ 5,103	\$ 5,380	\$ 5,694	\$ 6,169	\$ 6,491	\$ 6,992	\$ 7,316	\$ 7,630
15 ft.	180 in.	\$ 4,375	\$ 4,702	\$ 5,027	\$ 5,359	\$ 5,649	\$ 5,982	\$ 6,472	\$ 6,810	\$ 7,324	\$ 7,667	\$ 7,996
16 ft.	192 in.	\$ 4,581	\$ 4,924	\$ 5,269	\$ 5,615	\$ 5,921	\$ 6,266	\$ 6,773	\$ 7,124	\$ 7,656	\$ 8,010	\$ 8,355

ShyZip	Cable Guide
\$ 319	\$ 364
\$ 393	\$ 364
\$ 464	\$ 364
\$ 551	\$ 377
\$ 625	\$ 377
\$ 683	\$ 377
\$ 783	\$ 406
\$ 841	\$ 406
\$ 915	\$ 435
\$ 1,002	\$ 435
\$ 1,089	\$ 435
\$ 1,147	\$ 435
\$ 1,218	\$ 435

Note: Manual gear up to 16 ft. Motorized only after 16 ft. Only Insect Screen, Tuffscreen, Super Solar, and Vienne fabrics can be used over 18 ft. Standard Colors: White Quartz, Glacier, Anthracite, Carbon, Urban Bronze, Corten, Granite, Dune, Beach Sand.

Product Options and Surcharges

Motor Options	
BTX 110V AC 45XE RF Motor	\$500
Somfy RTS.....	\$965
Hardware Options	
Custom Powder Coat	Call of Quote

Control Options	
BTX Controls	
BTX Handsender 1 or 6-Channel White	\$125
BTX Wireless Wallswitch (2-Ch or 5-Ch).....	\$150
BTX SmartConnect RS-232 Interface	\$350
BTX Li-ion Recharger	\$50
Somfy Controls	
Somfy Situo RTS 1-Channel White.....	\$175
Somfy Situo RTS 5-Channel White.....	\$250
Somfy Telis RTS 1-Channel Silver or Lounge.....	\$275
Somfy Telis RTS 5-Channel Silver or Lounge.....	\$300
Somfy Telis 16-Channel Pure	\$600
Somfy Decoflex 1-Channel Pure	\$350
Somfy Decoflex 5-Channel Pure	\$375
Somfy Battery Tube, 12V, Reloadable.....	\$75
Somfy MyLink	\$700
Somfy URISI	\$1,070
Somfy ST-30 Li-ion Recharger.....	\$40
Somfy Repeater.....	\$545

Fabric List *(See fabric index page 85 for Fabric Grid listing)*



ExoLite Manual Retail Pricing

		WIDTH										ShyZip	Cable Guide
Feet		3 ft.	4 ft.	5 ft.	6 ft.	7 ft.	8 ft.	9 ft.	10 ft.	11 ft.	12 ft.		
	Inches	36 in.	48 in.	60 in.	72 in.	84 in.	96 in.	108 in.	120 in.	132 in.	144 in.		
HEIGHT	4 ft. 48 in.	\$ 1,052	\$ 1,121	\$ 1,192	\$ 1,261	\$ 1,379	\$ 1,527	\$ 1,677	\$ 1,825	\$ 1,975	\$ 2,123	\$ 319	\$ 364
	5 ft. 60 in.	\$ 1,052	\$ 1,121	\$ 1,192	\$ 1,348	\$ 1,516	\$ 1,685	\$ 1,857	\$ 2,023	\$ 2,192	\$ 2,360	\$ 393	\$ 364
	6 ft. 72 in.	\$ 1,052	\$ 1,121	\$ 1,279	\$ 1,464	\$ 1,654	\$ 1,844	\$ 2,033	\$ 2,221	\$ 2,411	\$ 2,595	\$ 464	\$ 364
	7 ft. 84 in.	\$ 1,052	\$ 1,168	\$ 1,377	\$ 1,585	\$ 1,793	\$ 2,002	\$ 2,210	\$ 2,418	\$ 2,627	\$ 2,833	\$ 551	\$ 377
	8 ft. 96 in.	\$ 1,052	\$ 1,247	\$ 1,477	\$ 1,704	\$ 1,933	\$ 2,160	\$ 2,389	\$ 2,616	\$ 2,840	\$ 3,070	\$ 625	\$ 377
	9 ft. 108 in.	\$ 1,079	\$ 1,324	\$ 1,575	\$ 1,822	\$ 2,068	\$ 2,316	\$ 2,569	\$ 2,811	\$ 3,059	\$ 3,307	\$ 683	\$ 377
	10 ft. 120 in.	\$ 0	\$ 1,406	\$ 1,675	\$ 1,941	\$ 2,207	\$ 2,474	\$ 2,745	\$ 3,009	\$ 3,276	\$ 3,545	\$ 783	\$ 406
	11 ft. 132 in.	\$ 0	\$ 1,485	\$ 1,772	\$ 2,060	\$ 2,347	\$ 2,632	\$ 2,922	\$ 3,207	\$ 3,495	\$ 3,782	\$ 841	\$ 406
	12 ft. 144 in.	\$ 0	\$ 1,564	\$ 1,870	\$ 2,176	\$ 2,484	\$ 2,790	\$ 3,099	\$ 3,405	\$ 3,711	\$ 4,017	\$ 915	\$ 435
	13 ft. 156 in.	\$ 0	\$ 0	\$ 1,970	\$ 2,295	\$ 2,622	\$ 2,949	\$ 3,278	\$ 3,603	\$ 3,930	\$ 4,254	\$ 1,002	\$ 435
	14 ft. 168 in.	\$ 0	\$ 0	\$ 2,068	\$ 2,413	\$ 2,759	\$ 3,107	\$ 3,455	\$ 3,798	\$ 4,146	\$ 4,491	\$ 1,089	\$ 435
	15 ft. 180 in.	\$ 0	\$ 0	\$ 2,168	\$ 2,532	\$ 2,898	\$ 3,265	\$ 3,632	\$ 3,996	\$ 4,362	\$ 4,729	\$ 1,147	\$ 435
	16 ft. 192 in.	\$ 0	\$ 0	\$ 0	\$ 2,651	\$ 3,038	\$ 3,423	\$ 3,811	\$ 4,193	\$ 4,578	\$ 4,966	\$ 1,218	\$ 435

		WIDTH											ShyZip	Cable Guide
Feet		13 ft.	14 ft.	15 ft.	16 ft.	17 ft.	18 ft.	19 ft.	20 ft.	21 ft.	22 ft.	23 ft.		
	Inches	156 in.	168 in.	180 in.	192 in.	204 in.	216 in.	228 in.	240 in.	252 in.	264 in.	276 in.		
HEIGHT	4 ft. 48 in.	\$ 2,292	\$ 2,461	\$ 2,629	\$ 2,798	\$ 2,927	\$ 3,096	\$ 3,429	\$ 3,605	\$ 3,959	\$ 4,141	\$ 4,309	\$ 319	\$ 364
	5 ft. 60 in.	\$ 2,550	\$ 2,738	\$ 2,925	\$ 3,115	\$ 3,265	\$ 3,455	\$ 3,806	\$ 4,004	\$ 4,378	\$ 4,578	\$ 4,768	\$ 393	\$ 364
	6 ft. 72 in.	\$ 2,806	\$ 3,012	\$ 3,220	\$ 3,431	\$ 3,600	\$ 3,808	\$ 4,180	\$ 4,394	\$ 4,789	\$ 5,006	\$ 5,217	\$ 464	\$ 364
	7 ft. 84 in.	\$ 3,065	\$ 3,289	\$ 3,516	\$ 3,745	\$ 3,935	\$ 4,164	\$ 4,552	\$ 4,792	\$ 5,204	\$ 5,446	\$ 5,673	\$ 551	\$ 377
	8 ft. 96 in.	\$ 3,318	\$ 3,566	\$ 3,811	\$ 4,062	\$ 4,270	\$ 4,518	\$ 4,927	\$ 5,182	\$ 5,615	\$ 5,873	\$ 6,121	\$ 625	\$ 377
	9 ft. 108 in.	\$ 3,576	\$ 3,843	\$ 4,109	\$ 4,375	\$ 4,607	\$ 4,876	\$ 5,306	\$ 5,583	\$ 6,040	\$ 6,319	\$ 6,588	\$ 683	\$ 377
	10 ft. 120 in.	\$ 3,832	\$ 4,117	\$ 4,404	\$ 4,692	\$ 4,940	\$ 5,230	\$ 5,678	\$ 5,976	\$ 6,448	\$ 6,746	\$ 7,036	\$ 783	\$ 406
	11 ft. 132 in.	\$ 4,091	\$ 4,396	\$ 4,700	\$ 5,008	\$ 5,277	\$ 5,586	\$ 6,055	\$ 6,372	\$ 6,865	\$ 7,187	\$ 7,495	\$ 841	\$ 406
	12 ft. 144 in.	\$ 4,346	\$ 4,673	\$ 4,995	\$ 5,325	\$ 5,615	\$ 5,939	\$ 6,430	\$ 6,765	\$ 7,279	\$ 7,614	\$ 7,944	\$ 915	\$ 435
	13 ft. 156 in.	\$ 4,605	\$ 4,948	\$ 5,293	\$ 5,641	\$ 5,950	\$ 6,298	\$ 6,807	\$ 7,163	\$ 7,696	\$ 8,052	\$ 8,403	\$ 1,002	\$ 435
	14 ft. 168 in.	\$ 4,861	\$ 5,225	\$ 5,591	\$ 5,958	\$ 6,285	\$ 6,651	\$ 7,179	\$ 7,553	\$ 8,105	\$ 8,482	\$ 8,848	\$ 1,089	\$ 435
	15 ft. 180 in.	\$ 5,116	\$ 5,502	\$ 5,887	\$ 6,274	\$ 6,620	\$ 7,007	\$ 7,556	\$ 7,952	\$ 8,524	\$ 8,920	\$ 9,307	\$ 1,147	\$ 435
	16 ft. 192 in.	\$ 5,372	\$ 5,778	\$ 6,182	\$ 6,588	\$ 6,957	\$ 7,361	\$ 7,931	\$ 8,342	\$ 8,935	\$ 9,349	\$ 9,758	\$ 1,218	\$ 435

Note: Manual gear up to 16 ft. Motorized only after 16 ft. Only Insect Screen, Tuffscreen, Super Solar, and Vienne fabrics can be used over 18 ft. Standard Colors: White Quartz, Glacier, Anthracite, Carbon, Urban Bronze, Corten, Granite, Dune, Beach Sand.

Product Options and Surcharges

Motor Options	
BTX 110V AC 45XE RF Motor	\$500
Somfy RTS.....	\$965

Hardware Options	
Custom Powder Coat	Call of Quote

Control Options	
BTX Controls	
BTX Handsender 1 or 6-Channel White	\$125
BTX Wireless Wallswitch (2-Ch or 5-Ch).....	\$150
BTX SmartConnect RS-232 Interface	\$350
BTX Li-ion Recharger	\$50
Somfy Controls	
Somfy Situo RTS 1-Channel White.....	\$175
Somfy Situo RTS 5-Channel White.....	\$250
Somfy Telis RTS 1-Channel Silver or Lounge.....	\$275
Somfy Telis RTS 5-Channel Silver or Lounge.....	\$300
Somfy Telis 16-Channel Pure	\$600
Somfy Decoflex 1-Channel Pure	\$350
Somfy Decoflex 5-Channel Pure	\$375
Somfy Battery Tube, 12V, Reloadable	\$75
Somfy MyLink	\$700
Somfy URTSI	\$1,070
Somfy ST-30 Li-ion Recharger.....	\$40
Somfy Repeater.....	\$545

Fabric List [\(See fabric index page 85 for Fabric Grid listing\)](#)



ExoLite Manual Retail Pricing

		WIDTH									
Feet		3 ft.	4 ft.	5 ft.	6 ft.	7 ft.	8 ft.	9 ft.	10 ft.	11 ft.	12 ft.
	Inches	36 in.	48 in.	60 in.	72 in.	84 in.	96 in.	108 in.	120 in.	132 in.	144 in.
4 ft.	48 in.	\$ 1,315	\$ 1,401	\$ 1,490	\$ 1,576	\$ 1,724	\$ 1,909	\$ 2,097	\$ 2,281	\$ 2,469	\$ 2,654
5 ft.	60 in.	\$ 1,315	\$ 1,401	\$ 1,490	\$ 1,685	\$ 1,896	\$ 2,107	\$ 2,321	\$ 2,529	\$ 2,740	\$ 2,951
6 ft.	72 in.	\$ 1,315	\$ 1,401	\$ 1,599	\$ 1,830	\$ 2,067	\$ 2,304	\$ 2,542	\$ 2,776	\$ 3,013	\$ 3,244
7 ft.	84 in.	\$ 1,315	\$ 1,460	\$ 1,721	\$ 1,981	\$ 2,242	\$ 2,502	\$ 2,763	\$ 3,023	\$ 3,284	\$ 3,541
8 ft.	96 in.	\$ 1,315	\$ 1,559	\$ 1,846	\$ 2,130	\$ 2,416	\$ 2,700	\$ 2,987	\$ 3,270	\$ 3,551	\$ 3,837
9 ft.	108 in.	\$ 1,348	\$ 1,655	\$ 1,968	\$ 2,278	\$ 2,585	\$ 2,895	\$ 3,211	\$ 3,514	\$ 3,824	\$ 4,134
10 ft.	120 in.	\$ 0	\$ 1,757	\$ 2,093	\$ 2,426	\$ 2,759	\$ 3,092	\$ 3,432	\$ 3,762	\$ 4,095	\$ 4,431
11 ft.	132 in.	\$ 0	\$ 1,856	\$ 2,215	\$ 2,575	\$ 2,934	\$ 3,290	\$ 3,653	\$ 4,009	\$ 4,368	\$ 4,727
12 ft.	144 in.	\$ 0	\$ 1,955	\$ 2,337	\$ 2,720	\$ 3,105	\$ 3,488	\$ 3,874	\$ 4,256	\$ 4,638	\$ 5,021
13 ft.	156 in.	\$ 0	\$ 0	\$ 2,463	\$ 2,868	\$ 3,277	\$ 3,686	\$ 4,098	\$ 4,503	\$ 4,912	\$ 5,318
14 ft.	168 in.	\$ 0	\$ 0	\$ 2,585	\$ 3,016	\$ 3,448	\$ 3,884	\$ 4,319	\$ 4,747	\$ 5,182	\$ 5,614
15 ft.	180 in.	\$ 0	\$ 0	\$ 2,710	\$ 3,165	\$ 3,623	\$ 4,081	\$ 4,540	\$ 4,995	\$ 5,453	\$ 5,911
16 ft.	192 in.	\$ 0	\$ 0	\$ 0	\$ 3,313	\$ 3,798	\$ 4,279	\$ 4,764	\$ 5,242	\$ 5,723	\$ 6,208

ShyZip	Cable Guide
\$ 319	\$ 364
\$ 393	\$ 364
\$ 464	\$ 364
\$ 551	\$ 377
\$ 625	\$ 377
\$ 683	\$ 377
\$ 783	\$ 406
\$ 841	\$ 406
\$ 915	\$ 435
\$ 1,002	\$ 435
\$ 1,089	\$ 435
\$ 1,147	\$ 435
\$ 1,218	\$ 435

		WIDTH										
Feet		13 ft.	14 ft.	15 ft.	16 ft.	17 ft.	18 ft.	19 ft.	20 ft.	21 ft.	22 ft.	23 ft.
	Inches	156 in.	168 in.	180 in.	192 in.	204 in.	216 in.	228 in.	240 in.	252 in.	264 in.	276 in.
4 ft.	48 in.	\$ 2,865	\$ 3,076	\$ 3,287	\$ 3,498	\$ 3,659	\$ 3,870	\$ 4,286	\$ 4,507	\$ 4,948	\$ 5,176	\$ 5,387
5 ft.	60 in.	\$ 3,188	\$ 3,422	\$ 3,656	\$ 3,893	\$ 4,081	\$ 4,319	\$ 4,757	\$ 5,004	\$ 5,473	\$ 5,723	\$ 5,960
6 ft.	72 in.	\$ 3,508	\$ 3,765	\$ 4,025	\$ 4,289	\$ 4,500	\$ 4,760	\$ 5,225	\$ 5,492	\$ 5,987	\$ 6,257	\$ 6,521
7 ft.	84 in.	\$ 3,831	\$ 4,111	\$ 4,395	\$ 4,681	\$ 4,919	\$ 5,205	\$ 5,690	\$ 5,990	\$ 6,504	\$ 6,808	\$ 7,091
8 ft.	96 in.	\$ 4,147	\$ 4,457	\$ 4,764	\$ 5,077	\$ 5,337	\$ 5,647	\$ 6,158	\$ 6,478	\$ 7,019	\$ 7,342	\$ 7,652
9 ft.	108 in.	\$ 4,470	\$ 4,803	\$ 5,136	\$ 5,469	\$ 5,759	\$ 6,096	\$ 6,633	\$ 6,979	\$ 7,549	\$ 7,899	\$ 8,235
10 ft.	120 in.	\$ 4,790	\$ 5,146	\$ 5,505	\$ 5,865	\$ 6,175	\$ 6,537	\$ 7,098	\$ 7,470	\$ 8,060	\$ 8,433	\$ 8,796
11 ft.	132 in.	\$ 5,113	\$ 5,496	\$ 5,875	\$ 6,260	\$ 6,597	\$ 6,982	\$ 7,569	\$ 7,965	\$ 8,581	\$ 8,984	\$ 9,369
12 ft.	144 in.	\$ 5,433	\$ 5,842	\$ 6,244	\$ 6,656	\$ 7,019	\$ 7,424	\$ 8,037	\$ 8,456	\$ 9,099	\$ 9,518	\$ 9,930
13 ft.	156 in.	\$ 5,756	\$ 6,185	\$ 6,616	\$ 7,052	\$ 7,437	\$ 7,873	\$ 8,509	\$ 8,954	\$ 9,620	\$ 10,065	\$ 10,503
14 ft.	168 in.	\$ 6,076	\$ 6,531	\$ 6,989	\$ 7,447	\$ 7,856	\$ 8,314	\$ 8,974	\$ 9,442	\$ 10,131	\$ 10,602	\$ 11,060
15 ft.	180 in.	\$ 6,396	\$ 6,877	\$ 7,358	\$ 7,843	\$ 8,275	\$ 8,759	\$ 9,445	\$ 9,940	\$ 10,655	\$ 11,149	\$ 11,634
16 ft.	192 in.	\$ 6,715	\$ 7,223	\$ 7,727	\$ 8,235	\$ 8,697	\$ 9,201	\$ 9,913	\$ 10,427	\$ 11,169	\$ 11,687	\$ 12,198

ShyZip	Cable Guide
\$ 319	\$ 364
\$ 393	\$ 364
\$ 464	\$ 364
\$ 551	\$ 377
\$ 625	\$ 377
\$ 683	\$ 377
\$ 783	\$ 406
\$ 841	\$ 406
\$ 915	\$ 435
\$ 1,002	\$ 435
\$ 1,089	\$ 435
\$ 1,147	\$ 435
\$ 1,218	\$ 435

Note: Manual gear up to 16 ft. Motorized only after 16 ft. Only Insect Screen, Tuffscreen, Super Solar, and Vienne fabrics can be used over 18 ft. Standard Colors: White Quartz, Glacier, Anthracite, Carbon, Urban Bronze, Corten, Granite, Dune, Beach Sand.

Product Options and Surcharges

Motor Options	
BTX 110V AC 45XE RF Motor	\$500
Somfy RTS.....	\$965
Hardware Options	
Custom Powder Coat	Call of Quote

Control Options	
BTX Controls	
BTX Handsender 1 or 6-Channel White	\$125
BTX Wireless Wallswitch (2-Ch or 5-Ch).....	\$150
BTX SmartConnect RS-232 Interface	\$350
BTX Li-ion Recharger	\$50
Somfy Controls	
Somfy Situo RTS 1-Channel White.....	\$175
Somfy Situo RTS 5-Channel White.....	\$250
Somfy Telis RTS 1-Channel Silver or Lounge.....	\$275
Somfy Telis RTS 5-Channel Silver or Lounge.....	\$300
Somfy Telis 16-Channel Pure	\$600
Somfy Decoflex 1-Channel Pure	\$350
Somfy Decoflex 5-Channel Pure	\$375
Somfy Battery Tube, 12V, Reloadable.....	\$75
Somfy MyLink	\$700
Somfy URTSI	\$1,070
Somfy ST-30 Li-ion Recharger.....	\$40
Somfy Repeater.....	\$545

Fabric List *(See fabric index page 85 for Fabric Grid listing)*



ExoLite Manual Retail Pricing

HEIGHT		WIDTH														ShyZip	Cable Guide	
		Feet	3 ft.	4 ft.	5 ft.	6 ft.	7 ft.	8 ft.	9 ft.	10 ft.	11 ft.	12 ft.	13 ft.	14 ft.	15 ft.			16 ft.
		Inches	36 in	48 in.	60 in.	72 in.	84 in.	96 in.	108 in.	120 in.	132 in.	144 in	156 in.	168 in.	180 in.			192 in.
4 ft.	48 in.	\$ 1,817	\$ 1,886	\$ 1,952	\$ 2,023	\$ 2,091	\$ 2,163	\$ 2,231	\$ 2,300	\$ 2,548	\$ 2,682	\$ 2,838	\$ 2,991	\$ 3,144	\$ 3,434	\$ 319	\$ 364	
5 ft.	60 in.	\$ 1,833	\$ 1,899	\$ 1,967	\$ 2,036	\$ 2,110	\$ 2,176	\$ 2,310	\$ 2,458	\$ 2,743	\$ 2,893	\$ 3,062	\$ 3,233	\$ 3,402	\$ 3,705	\$ 393	\$ 364	
6 ft.	72 in.	\$ 1,846	\$ 1,915	\$ 1,983	\$ 2,055	\$ 2,139	\$ 2,305	\$ 2,471	\$ 2,637	\$ 2,941	\$ 3,104	\$ 3,289	\$ 3,476	\$ 3,663	\$ 3,985	\$ 464	\$ 364	
7 ft.	84 in.	\$ 1,862	\$ 1,931	\$ 1,999	\$ 2,084	\$ 2,265	\$ 2,445	\$ 2,632	\$ 2,811	\$ 3,131	\$ 3,315	\$ 3,516	\$ 3,719	\$ 3,922	\$ 4,257	\$ 551	\$ 377	
8 ft.	96 in.	\$ 1,878	\$ 1,946	\$ 2,012	\$ 2,197	\$ 2,395	\$ 2,595	\$ 2,796	\$ 2,988	\$ 3,326	\$ 3,524	\$ 3,740	\$ 3,961	\$ 4,180	\$ 4,536	\$ 625	\$ 377	
9 ft.	108 in.	\$ 1,894	\$ 1,960	\$ 2,091	\$ 2,310	\$ 2,527	\$ 2,740	\$ 2,956	\$ 3,170	\$ 3,521	\$ 3,735	\$ 3,969	\$ 4,204	\$ 4,439	\$ 4,808	\$ 683	\$ 377	

Note: Manual gear up to 16 ft. Motorized only after 16 ft. Only Insect Screen, Tuffscreen, Super Solar, and Vienne fabrics can be used over 18 ft. Standard Colors: White Quartz, Glacier, Anthracite, Carbon, Urban Bronze, Corten, Granite, Dune, Beach Sand.

Product Options and Surcharges

Motor Options	
BTX 110V AC 45XE RF Motor	\$500
Somfy RTS.....	\$965
Hardware Options	
Custom Powder Coat	Call of Quote

Control Options	
BTX Controls	
BTX Handsender 1 or 6-Channel White	\$125
BTX Wireless Wallswitch (2-Ch or 5-Ch).....	\$150
BTX SmartConnect RS-232 Interface	\$350
BTX Li-ion Recharger	\$50
Somfy Controls	
Somfy Situo RTS 1-Channel White.....	\$175
Somfy Situo RTS 5-Channel White.....	\$250
Somfy Telis RTS 1-Channel Silver or Lounge.....	\$275
Somfy Telis RTS 5-Channel Silver or Lounge.....	\$300
Somfy Telis 16-Channel Pure	\$600
Somfy Decoflex 1-Channel Pure	\$350
Somfy Decoflex 5-Channel Pure	\$375
Somfy Battery Tube, 12V, Reloadable.....	\$75
Somfy MyLink	\$700
Somfy URTSI	\$1,070
Somfy ST-30 Li-ion Recharger.....	\$40
Somfy Repeater.....	\$545

Fabric List (See fabric index page 85 for Fabric Grid listing)



BTX offers a comprehensive range of B9 motorized hardware systems. B9 Roman Shade systems are the preferred choice for designers and window coverings specialists who require an elegant look achieved by using a wider variety of fabrics, many of which may even be too heavy to operate by hand. B9 systems easily lift and lower almost all types of Roman Shades with the push of a button



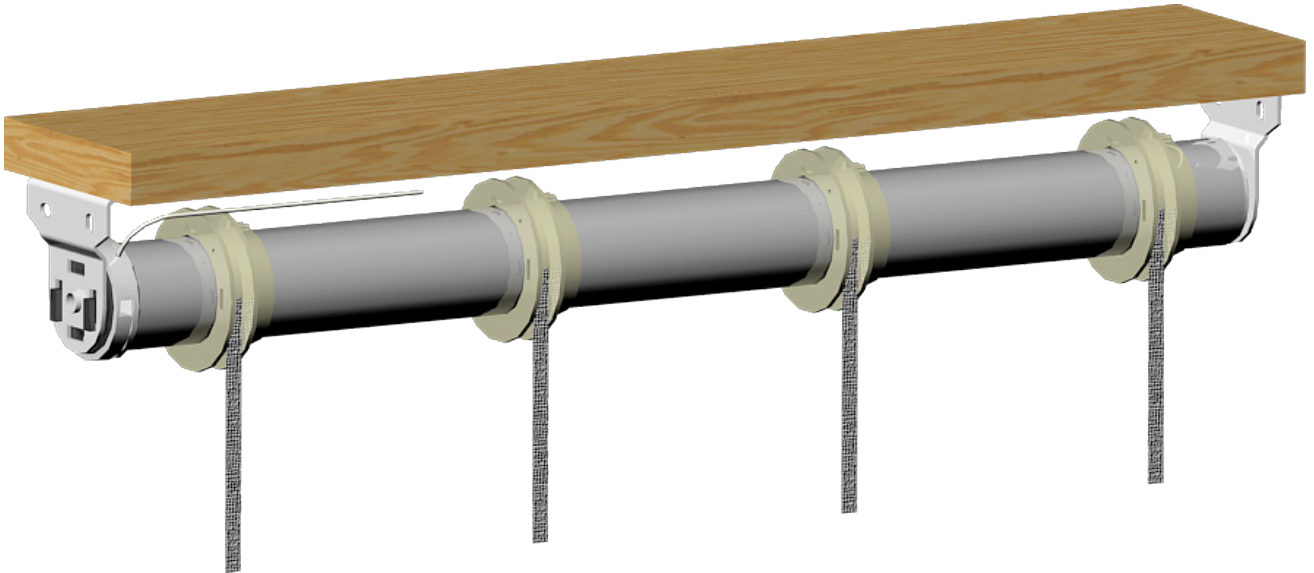
B9 Roman systems have been designed as a motorized hardware only solution to accommodate COM fabrics. If you need help selecting an appropriate system, please contact a BTX Team Member today.



B9 Motorized Roman Shade Systems

- AC, DC, and Battery Motorized system options
- Max width without coupler: 9 ft.
- Max width with coupler: 27 ft. (45mm motors only)
- Max lifting capacity determined by motor (see page 93)
- 1.5 in. or 2 in. tube and bracket system
- Mounted to wood headboard

Motorized B9 Roman Shade System





Roman Shades

System Specifications

Motorized B9 Roman Shade System Specifications

System	Motor Desc	Part#	AC/DC	Wattage	Torque	Maximum Weight	Speed/RPM	Amperage	db rating	Limit Type	Built-in RF	Built-in Dry Contact	Max number of Turns	Motor Diameter	Motor Length
	BTX 25E RF	101.8801	12V DC Battery	6.6 W	0.8 Nm	7 lbs.	30 rpm	550 mA	45 db	Electronic	Yes	N/A	Unlimited	25 mm	11.75 in.
	BTX 35QE RF	101.8802	110V AC	130 W	3 Nm	35 lbs.	33 rpm	1.1 A	33db	Electronic	Yes	Yes	Unlimited	35 mm	19.5 in.
	Somfy R28 RTS	101.9411	12V DC Battery	16 W	1.1 Nm	10 lbs.	28 rpm	2 A	48-56 db	Electronic	Yes	N/A	110	29 mm	13.22 in.
	Somfy R28 RTS Li-ion	101.9412	12V DC Battery	N/A	1.1 Nm	10 lbs.	20 rpm	N/A	N/A	Electronic	Yes	N/A	Unlimited	29 mm	22.8 in.
	Somfy ST30 Quiet RTS	101.9530	24V DC	20 W	2 Nm	20 lbs.	6 - 28 rpm	0.8 A	44 db	Electronic	Yes	N/A	35	29 mm	16 in.
	Somfy ST30 DCT	101.9530	24V DC	20 W	2 Nm	20 lbs.	6 - 28 rpm	0.8 A	44 db	Dry Contact	N/A	Yes	35	29 mm	16 in.
	Somfy ST30 RS485	101.9530	24V DC	20 W	2 Nm	20 lbs.	6 - 28 rpm	0.8 A	44 db	Digital	N/a	Yes	35	29 mm	16 in.
	ST30 Quiet RTS Li-ion	101.9533	12V DC Battery	N/A	2 Nm	20 lbs.	28 rpm	N/A	44 db	Electronic	Yes	N/A	Unlimited	29 mm	23.7 in.
	ST40 Quiet RTS	101.9565	110V AC	130 W	4 Nm	35 lbs.	36 rpm	0.95 A	42 db	Electronic	Yes	N/A	Unlimited	38 mm	18.19 in.
	ST40 Quiet RTS Li-ion	101.9563	12V DC Battery	N/A	3 Nm	25 lbs.	20 rpm	N/A	44 db	Electronic	Yes	N/A	Unlimited	38 mm	25.6 in.
	Rollease Q1.1	101.7001	12V DC	10 W	1.1 Nm	10 lbs.	20 rpm	0.8 A	46 db	Electronic	Yes	N/A	Unlimited	25 mm	17.5 in.
	Rollease Q2.0	101.7002	12V DC	15 W	2 Nm	15 lbs.	20 rpm	1.25 A	44 db	Electronic	Yes	N/A	Unlimited	28 mm	17.21 in.
	BTX 45QE RF	101.8803	110V AC	130W	6 Nm	50 lbs	33 rpm	1.1 A	33 db	Electronic	Yes	Yes	Unlimited	45 mm	27.75 in.
	BTX 45QE RF Li-ion	101.5503	12V DC Battery	20 W	3 Nm	25 lbs.	28 rpm	1.9 A	40 db	Electronic	Yes	N/A	Unlimited	45 mm	32 in.
	Tumo DC RF	101.9215	24V DC	25 W	2.5 Nm	20 lbs.	25 rpm	0.8 A	33 db	Electronic	Yes	Yes	N/A	45 mm	20.5 in.
	Tumo DC 2-Wire	101.9220	24V DC	30 W	2.5 Nm	20 lbs.	25 rpm	1 A	35 db	Mechanical	N/A	N/A	32	45 mm	20.75 in.
	Somfy ST50 Quiet RTS	101.9542	110V AC	140 W	6 Nm	50 lbs.	32 rpm	1.2 A	45 db	Electronic	Yes	N/A	250	45 mm	25.7 in.
	Somfy ST50 Quiet RTS ULTRA AC	101.9543	110V AC	114 W	6 Nm	50 lbs.	24 rpm	0.95 A	38 db	Electronic	Yes	N/A	250	45 mm	32.4 in.
	Somfy ST50 Quiet RTS ULTRA DC	101.9551	24V DC	N/A	6 Nm	50 lbs.	25 rpm	1.5 A	<38 db	Electronic	Yes	N/A	Unlimited	45 mm	30.7 in.
	Rollease Q3.0	101.7003	12V DC	20 W	3 Nm	25 lbs.	20 rpm	1.7 A	40 db	Electronic	Yes	No	Unlimited	45 mm	32 in.

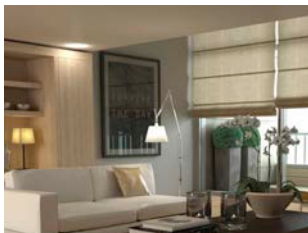


B9 Motorized Roman Shade systems are built around a tubular motor system with tape reels or fabric clips for you to attach your own Roman material. B9 systems are mounted to a wooden headboard so that fabric can be easily attached and all hardware is hidden. Available in different sizes and control options, B9 systems make it easy to automate your Roman Shades with ease.



Motorized S (Small) B9 Roman Shade Systems

- AC, DC, and Battery motorized system options
- Max width: 6 ft. (10-feet with HD tube)
- Max lifting capacity determined by motor (see page 124)
- 1.5 in. tube and bracket system
- Options of tape reels with lift tape or c-clips
- Mounted to wooden headboard



Motorized M (Medium) B9 Roman Shade Systems

- 24V DC, or 110V AC Motorized system options
- Max width without coupler: 9 ft.
- Max width with coupler: 27 ft. (45mm motors only)
- Max lifting capacity determined by motor (see page 124)
- 2 in. tube and bracket system
- Options of tape reels with lift tape or c-clips
- Mounted to wood headboard



B9 Roman Shades

What's Included

What comes with the standard grid price?

Your BTX Intelligent Fashion B9 S Roman Shade System comes with:

- Fully fabricated motorized B9 Shade System mounted to 1 in. x 4 in. wood board, built to your exact specifications
- Field adjustable tape with tape reels based on provided height.
- BTX 25E RF battery motor with internal radio receiver

Important information regarding this system:

- Alternate motor options
- B9 Romans are HARDWARE only
- Control devices are sold separately! Please specify whether you want a handsender, wall switch, or other control method.
- Additional peripherals may be required based on your control scenario
- Please be prepared to answer the following questions about your system:
 - Tape reels or c-clips inside or outside mount
 - How would you like the systems programmed, if motorized (we do program and test everything before shipping!)
 - If you require a larger size, you may need to contact factory for availability.
 - For coupled shades, choose between straight or angled

System Retail Pricing by Width

	1 ft. 12 in.	2 ft. 24 in.	3 ft. 36 in.	4 ft. 48 in.	5 ft. 60 in.	6 ft. 72 in.	7 ft. 84 in.	8 ft. 96 in.	9 ft. 108 in.	10 ft. 120 in.	11 ft. 132 in.	12 ft. 144 in.
BTX 25E RF Battery	\$665	\$691	\$718	\$744	\$770	\$797	\$823	\$850	\$876	\$903	\$929	\$955

Must upgrade motor after 6 ft.

13 ft. 156 in.	14 ft. 168 in.	15 ft. 180 in.	16 ft. 192 in.	17 ft. 204 in.	18 ft. 216 in.	19 ft. 228 in.	20 ft. 240 in.	21 ft. 252 in.	22 ft. 264 in.	23 ft. 276 in.	24 ft. 288 in.	25 ft. 300 in.	26 ft. 312 in.	27 ft. 324 in.
\$982	\$1,008	\$1,035	\$1,061	\$1,087	\$1,114	\$1,140	\$1,167	\$1,193	\$1,219	\$1,246	\$1,272	\$1,299	\$1,325	\$1,351

Notes:

- 25E RF, R28, and ST30 options are up to 6 ft. only and use a 1.5 in. tube.
- System only goes to 27 ft.
- System uses 1.5 in. tube by default up to 6 ft. and 2 in. tube by default beyond 6 ft.
- System is automatically coupled at 9 ft. and 18 ft.
- Grid price uses BTX 25E RF battery motor by default (must use upcharge options beyond 6 ft.)

Product Options and Surcharges

Motor Options

BTX 45QE RF AC (101.8803)	\$100
BTX 35QE RF AC (101.8802)	\$100
Tumo 24V DC RF Dry Contact Motor (101.9215)	\$275
Tumo 24V DC 2-Wire Motor (101.9220)	\$100
Somfy R28 RTS with Battery Wand	\$215
SOMFY R28 RTS Li-ion (charger sold separately)	\$215
Somfy ST30 Quiet RTS with Transformer	\$560
Somfy ST30 Sonesse RTS Wirefree (Li-ion)	\$265
Somfy ST40 Quiet RTS	\$715
Somfy ST50 Quiet RTS	\$600
Somfy ULTRA AC RTS	\$665
Somfy ULTRA DC RTS	\$815
Rollease 1.1 Li-ion Rechargeable Battery	\$250
Rollease 1.1 Li-ion Plug-in	\$400
Rollease Q2.0 Li-ion Rechargeable Battery	\$315
Rollease Q2.0 Plug-in	\$515
Rollease Q3.0 Li-ion Rechargeable Battery	\$575
Rollease Q3.0 Plug-in	\$825

Control Options

BTX Controls	
BTX Handsender 1 or 6-Channel White	\$125
BTX Wireless Wallswitch (2-Ch or 5-Ch)	\$150
BTX SmartConnect RS-232 Interface	\$350
BTX Li-ion Recharger	\$50
Somfy Controls	
Somfy Situo RTS 1-Channel White	\$175
Somfy Situo RTS 5-Channel White	\$250
Somfy Telis RTS 1-Channel Silver or Lounge	\$275
Somfy Telis RTS 5-Channel Silver or Lounge	\$300
Somfy Telis 16-Channel Pure	\$600
Somfy Decoflex 1-Channel Pure	\$350
Somfy Decoflex 5-Channel Pure	\$375
Somfy Battery Tube, 12V, Reloadable	\$75
Somfy MyLink	\$700
Somfy URTSI	\$1,070
Somfy ST-30 Li-ion Recharger	\$40
Somfy Repeater	\$545

Control Options

Rollease Controls	
Rollease Recharger	\$100
Rollease Q2.0/3.0 Power Supply	\$250
Rollease 5-Channel Surface Mount Switch	\$150
Rollease 15-Channel Cut-in Switch	\$150
Rollease 1-Channel Cut-in Switch	\$150
Rollease Handsender Push 5-Channel Matte Black	\$200
Rollease Handsender Push 5-Channel Gloss White	\$200
Rollease Handsender 15-Channel White	\$170
Rollease Handsender 1-Channel White	\$15
Rollease Automate Pulse Hub 2.0	\$650
Rollease Repeater	\$250
Misc. Controls	
Extended Power Lead	\$30/foot
12V or 24V Power Supply Box	\$90 per motor



The BTX Intelligent Fashion Wood Blind collection features a robust line of luxury wood materials at a reasonable price. With everything from Exotic woods, to Bamboo, and even Perforated Aluminum, Intelligent Fashion delivers a quality system designed to modernize any interior. The vast collection of wood materials lets you pick the perfect complement to the environment. Select from finishes like Glossy, Frosted, Zebra, Chestnut, Maple, and many more.



BTX wood blind systems are available in various manual styles and come with a variety of operating methods and headrail options. Look through the details of the various configurations in the next few pages to find the best fit for your project.



Manual Wood Blind Systems

- Manual Control Options: Cordlock
- Max width: 8 ft.
- Max height: 10 ft.
- Hardware is color coordinated

Contact factory for motorization options



Wood Blinds

Pricing Instructions

Before pricing your Wood Blind system, you need to determine what type of system best suits your needs. Please consider the following:

- If you require samples, please contact the factory to check availability.
- What size do you need?
 - Recommended max dimensions are: min width and height of 9 in. by 10 in. and max width and height of 96 in. by 120 in.
 - If you exceed these dimensions, you may need to contact the factory.
- What options are you looking for?
 - Cloth tapes
 - High Profile headrail
 - Cord Cleats
 - Cut Outs

How to Price Manual Wood Blind Systems

Wood Blind systems are provided as complete assemblies with material, and are built to specification. See the steps below to see how to price out your Wood Blind systems:

- 1 Identify the type of material you want for your shade. Technical information for material can be found on pages 141. Once determined, use the Material Index (page 140) to locate which pages your material grid can be found.
- 2 Round your system dimensions up to the nearest foot and locate this on the price grid.

2 in. Basswood Blind Manual Retail Pricing												
Inches	WIDTH											
	24 in.	32 in.	36 in.	42 in.	48 in.	54 in.	60 in.	66 in.	72 in.	78 in.	84 in.	90 in.
30 in.	\$132	\$158	\$187	\$205	\$218	\$248	\$291	\$301	\$312	\$376	\$402	\$427
36 in.	\$151	\$178	\$208	\$228	\$245	\$285	\$329	\$345	\$355	\$429	\$444	\$476
42 in.	\$168	\$197	\$229	\$252	\$273	\$319	\$367	\$376	\$400	\$467	\$503	\$534
48 in.	\$182	\$215	\$251	\$275	\$301	\$353	\$403	\$427	\$447	\$516	\$563	\$604
54 in.	\$199	\$236	\$272	\$303	\$329	\$387	\$437	\$476	\$501	\$578	\$622	\$665
60 in.	\$218	\$255	\$295	\$326	\$359	\$424	\$473	\$516	\$547	\$627	\$679	\$723
66 in.	\$238	\$276	\$316	\$353	\$394	\$464	\$513	\$556	\$587	\$667	\$736	\$815

Example: 42 in. by 65 in. would price out at 42 in. by 66 in.

Wood Blind Specifications

Wood Style	Slat Width	Page	Price Grid
Basswood	2 in.	Pg 144	1
Bamboo	2 in.	Pg 145	2
Basswood Glossy	2 in.	Pg 146	3
Exotic/Metallic	2 in.	Pg 147	4
Leather	2 in.	Pg 148	5
Aluminum	2 in.	Pg 149	6
Perforated Aluminum	2 in.	Pg 150	7

Variation Spec Charts

Wood Blind Specifications

System	HeadriL Size	Min Width	Max Width	Min Height	Max Height
Low Profile	1 1/2 in. x 2 1/4 in.	9 in.	96 in.	10 in.	120 in.
High Profile	2 in. x 2 1/4 in.	9 in.	96 in.	10 in.	120 in.



2" Laminated Wood Blinds

- Laminated basswood slats in woodgrain finishes
- Available in cord tilt only; standard or reverse control
- Color coordinated low profile headrail and standard bottom rail
- Modern, sleek 2-1/2" wide valance included in price chart with magnets for easy installation
- Available with cloth tapes

2" Basswood Collections

- Pure, Modern Nature, Warm Wood, Frosted Woods
- Available in cord tilt only; standard or reverse control
- Color coordinated low profile headrail and standard bottom rail
- Modern, sleek 2-1/2" wide valance included in price chart with magnets for easy installation
- Available with cloth tapes

2" Bamboo Blinds

- This collection features 6 colors with a sanded texture for a beautiful natural look (ECO-FRIENDLY)
- Available in cord tilt only
- Color coordinated low profile headrail and standard bottom rail
- Modern, sleek 2-1/2" wide valance included in price chart with magnets for easy installation
- Available with cloth tapes

2" Basswood Glossy Blinds

- High gloss finish enhances the natural grain of the wood
- Available in cord tilt only; standard or reverse control
- Color coordinated low profile headrail and standard bottom rail
- Modern, sleek 2-1/2" wide valance included in price chart with magnets for easy installation
- Available with cloth tapes

2" Exotic Wood Blinds & Metallic Finishes

- Specialty woodgrain and natural finishes - also Gold and Silver metallic finishes
- Available in cord tilt only; standard or reverse control
- Color coordinated low profile headrail and standard bottom rail
- Modern, sleek 2-1/2" wide valance included in price chart with magnets for easy installation
- Available with cloth tapes

2" Leather Blinds

- Aluminum slat wrapped in leather fabric
- Available in cord tilt only; standard or reverse control
- Color coordinated low profile headrail and standard bottom rail
- Single Slat valance included in the price chart
- Available with cloth tapes

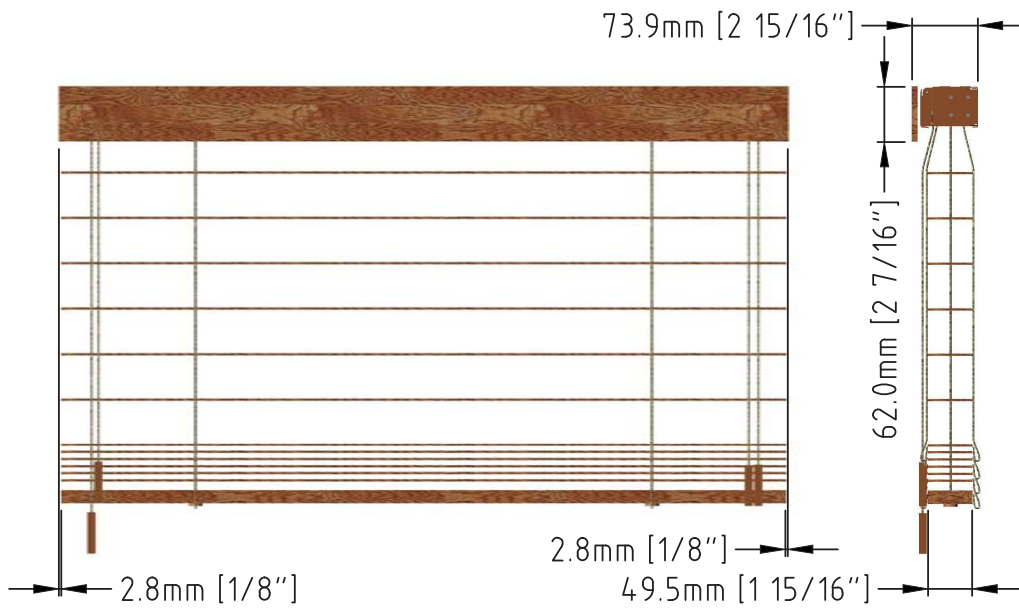
2" Aluminum Blinds

- Slats are heat-treated for superior resiliency to prevent damage, even from heavy use.
- Color coordinated components: headrail, bottom rail, cords & ladders
- Deluxe groove valance, or 2-slat clip-on valance
- Easy tilt wand
- Low-profile headrail made from baked-enameled steel, with standard end box mounting brackets
- Standard rout holes
- Heavy gauge aluminum 2-inch slats
- 44mm ladder spacing
- Safety tassel
- Optional fashion and cloth tapes

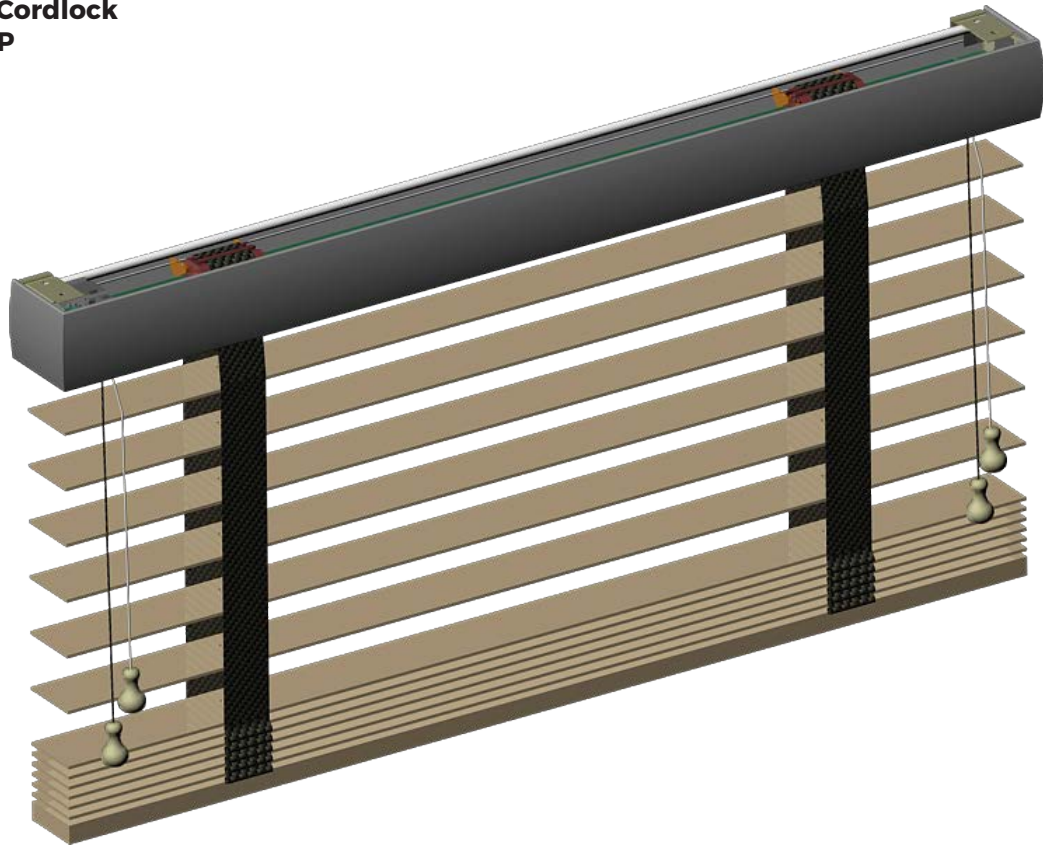
Wood Blind System Assembly
Low Profile - Cordlock
Model: 1142-HP



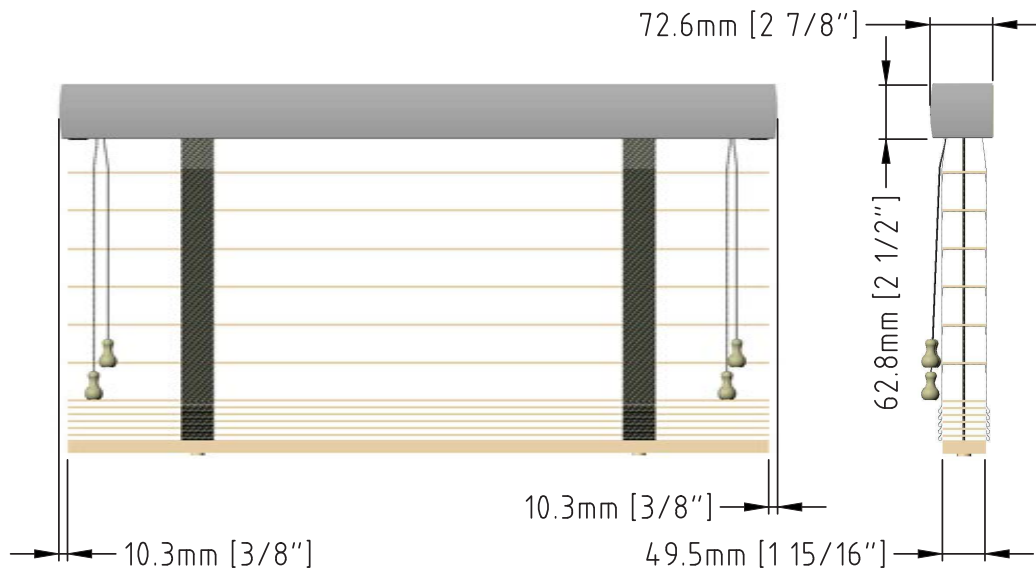
Low Profile - Cord Lock System Dimensions



Wood Blind System Assembly
High Profile - Cordlock
Model: 1142-LP



High Profile - Cord Lock System Dimensions





Wood Blinds

Price Grids 1 & 2

2 in. Basswood Blind Manual Retail Pricing

		WIDTH													
Feet	Inches	2 ft.	2.5 ft.	3 ft.	3.5 ft.	4 ft.	4.5 ft.	5 ft.	5.5 ft.	6 ft.	6.5 ft.	7 ft.	7.5 ft.	8 ft.	Add 10"
		24 in.	32 in.	36 in.	42 in.	48 in.	54 in.	60 in.	66 in.	72 in.	78 in.	84 in.	90 in.	96 in.	
HEIGHT	2.5 ft. 30 in.	\$153	\$183	\$216	\$237	\$252	\$287	\$336	\$348	\$361	\$435	\$465	\$494	\$517	\$53
	3 ft. 36 in.	\$175	\$206	\$241	\$264	\$283	\$330	\$381	\$399	\$410	\$496	\$514	\$550	\$574	\$59
	3.5 ft. 42 in.	\$194	\$227	\$265	\$292	\$316	\$369	\$425	\$435	\$463	\$541	\$582	\$618	\$649	\$68
	4 ft. 48 in.	\$211	\$249	\$290	\$318	\$348	\$409	\$466	\$494	\$517	\$597	\$651	\$699	\$733	\$77
	4.5 ft. 54 in.	\$231	\$274	\$315	\$351	\$381	\$448	\$506	\$550	\$580	\$669	\$720	\$770	\$821	\$86
	5 ft. 60 in.	\$252	\$295	\$341	\$377	\$415	\$491	\$547	\$597	\$633	\$725	\$786	\$837	\$890	\$92
	5.5 ft. 66 in.	\$275	\$320	\$366	\$409	\$460	\$539	\$602	\$653	\$694	\$791	\$852	\$943	\$989	\$102
	6 ft. 72 in.	\$302	\$341	\$391	\$440	\$499	\$585	\$654	\$692	\$740	\$842	\$906	\$974	\$1,023	\$105
	6.5 ft. 78 in.	\$311	\$351	\$402	\$453	\$513	\$598	\$672	\$715	\$788	\$900	\$974	\$1,038	\$1,089	\$114
	7 ft. 84 in.	\$335	\$374	\$428	\$485	\$550	\$633	\$686	\$766	\$847	\$959	\$1,037	\$1,111	\$1,167	\$122
7.5 ft. 90 in.	\$356	\$397	\$455	\$514	\$585	\$667	\$725	\$812	\$897	\$1,010	\$1,106	\$1,183	\$1,243	\$130	
8 ft. 96 in.	\$372	\$412	\$468	\$541	\$608	\$700	\$773	\$872	\$956	\$1,081	\$1,170	\$1,254	\$1,315	\$137	
8.5 ft. 102 in.	\$389	\$433	\$496	\$570	\$648	\$745	\$822	\$920	\$1,017	\$1,149	\$1,241	\$1,332	\$1,398	\$145	
9 ft. 108 in.	\$409	\$448	\$519	\$600	\$682	\$783	\$864	\$971	\$1,068	\$1,201	\$1,302	\$1,398	\$1,465	\$153	
9.5 ft. 114 in.	\$427	\$471	\$550	\$635	\$717	\$824	\$911	\$1,020	\$1,126	\$1,269	\$1,370	\$1,468	\$1,543	\$162	
10 ft. 120 in.	\$447	\$494	\$570	\$663	\$755	\$865	\$938	\$1,073	\$1,175	\$1,322	\$1,434	\$1,538	\$1,617	\$168	

Contact factory for blinds in the shaded section.

Materials

Basswood

Pure
Modern Nature

Warm Wood
Frosted Wood
Frosted Wood Duo

Laminated Wood

2 in. Bamboo Blind Manual Retail Pricing

		WIDTH													
Feet	Inches	2 ft.	2.5 ft.	3 ft.	3.5 ft.	4 ft.	4.5 ft.	5 ft.	5.5 ft.	6 ft.	6.5 ft.	7 ft.	7.5 ft.	8 ft.	Add 10"
		24 in.	32 in.	36 in.	42 in.	48 in.	54 in.	60 in.	66 in.	72 in.	78 in.	84 in.	90 in.	96 in.	
HEIGHT	2.5 ft. 30 in.	\$162	\$193	\$227	\$249	\$265	\$302	\$353	\$366	\$379	\$457	\$488	\$519	\$544	\$56
	3 ft. 36 in.	\$183	\$216	\$252	\$277	\$298	\$346	\$400	\$419	\$430	\$521	\$541	\$578	\$602	\$63
	3.5 ft. 42 in.	\$204	\$239	\$279	\$307	\$333	\$387	\$447	\$457	\$486	\$567	\$611	\$649	\$682	\$71
	4 ft. 48 in.	\$221	\$262	\$305	\$335	\$366	\$428	\$489	\$519	\$544	\$626	\$684	\$733	\$770	\$81
	4.5 ft. 54 in.	\$242	\$287	\$331	\$369	\$400	\$471	\$531	\$578	\$610	\$702	\$756	\$808	\$862	\$91
	5 ft. 60 in.	\$265	\$310	\$358	\$396	\$437	\$516	\$575	\$626	\$664	\$761	\$826	\$878	\$934	\$97
	5.5 ft. 66 in.	\$288	\$336	\$384	\$428	\$483	\$565	\$631	\$686	\$728	\$831	\$895	\$990	\$1,038	\$107
	6 ft. 72 in.	\$316	\$358	\$410	\$461	\$524	\$615	\$687	\$727	\$776	\$885	\$953	\$1,023	\$1,075	\$110
	6.5 ft. 78 in.	\$326	\$369	\$422	\$476	\$539	\$628	\$705	\$752	\$827	\$944	\$1,023	\$1,091	\$1,144	\$119
	7 ft. 84 in.	\$351	\$392	\$450	\$509	\$578	\$664	\$720	\$804	\$890	\$1,007	\$1,088	\$1,167	\$1,225	\$129
7.5 ft. 90 in.	\$374	\$417	\$478	\$541	\$615	\$700	\$761	\$854	\$941	\$1,061	\$1,162	\$1,243	\$1,305	\$137	
8 ft. 96 in.	\$391	\$433	\$491	\$567	\$638	\$735	\$811	\$915	\$1,004	\$1,136	\$1,229	\$1,317	\$1,381	\$143	
8.5 ft. 102 in.	\$409	\$455	\$521	\$598	\$681	\$783	\$864	\$966	\$1,068	\$1,206	\$1,304	\$1,398	\$1,467	\$152	
9 ft. 108 in.	\$428	\$471	\$546	\$630	\$717	\$822	\$906	\$1,019	\$1,121	\$1,261	\$1,368	\$1,467	\$1,538	\$162	
9.5 ft. 114 in.	\$448	\$494	\$578	\$666	\$753	\$865	\$958	\$1,071	\$1,182	\$1,333	\$1,439	\$1,543	\$1,620	\$170	
10 ft. 120 in.	\$470	\$519	\$598	\$695	\$793	\$908	\$984	\$1,127	\$1,234	\$1,388	\$1,506	\$1,615	\$1,698	\$176	

Contact factory for blinds in the shaded section.

Materials

Bamboo

Contact factory for motorization options



Wood Blinds

Price Grids 3 & 4

2 in. Basswood Glossy Blind Manual Retail Pricing

		WIDTH															
Feet	Inches	2 ft.	2.5 ft.	3 ft.	3.5 ft.	4 ft.	4.5 ft.	5 ft.	5.5 ft.	6 ft.	6.5 ft.	7 ft.	7.5 ft.	8 ft.	Add 10"		
		24 in.	32 in.	36 in.	42 in.	48 in.	54 in.	60 in.	66 in.	72 in.	78 in.	84 in.	90 in.	96 in.			
HEIGHT	2.5 ft.	30 in.	\$208	\$246	\$288	\$320	\$346	\$384	\$457	\$470	\$486	\$585	\$626	\$666	\$697	\$73	
		3 ft.	36 in.	\$237	\$280	\$326	\$354	\$382	\$443	\$513	\$539	\$552	\$667	\$694	\$738	\$778	\$81
		3.5 ft.	42 in.	\$262	\$308	\$359	\$392	\$427	\$499	\$575	\$585	\$623	\$725	\$784	\$834	\$873	\$91
		4 ft.	48 in.	\$282	\$338	\$387	\$428	\$470	\$550	\$630	\$666	\$697	\$806	\$877	\$943	\$994	\$105
		4.5 ft.	54 in.	\$313	\$368	\$424	\$473	\$513	\$603	\$679	\$738	\$784	\$903	\$969	\$1,037	\$1,091	\$114
		5 ft.	60 in.	\$346	\$402	\$460	\$511	\$562	\$661	\$735	\$806	\$854	\$981	\$1,056	\$1,132	\$1,187	\$124
		5.5 ft.	66 in.	\$369	\$430	\$496	\$550	\$620	\$723	\$812	\$877	\$936	\$1,068	\$1,147	\$1,271	\$1,328	\$138
		6 ft.	72 in.	\$409	\$460	\$527	\$593	\$667	\$784	\$880	\$931	\$997	\$1,136	\$1,220	\$1,312	\$1,376	\$145
		6.5 ft.	78 in.	\$420	\$473	\$544	\$608	\$692	\$806	\$908	\$959	\$1,061	\$1,210	\$1,310	\$1,401	\$1,467	\$153
		7 ft.	84 in.	\$455	\$503	\$578	\$656	\$694	\$850	\$923	\$1,037	\$1,145	\$1,292	\$1,401	\$1,496	\$1,569	\$163
	7.5 ft.	90 in.	\$485	\$537	\$613	\$694	\$784	\$900	\$981	\$1,098	\$1,206	\$1,361	\$1,493	\$1,592	\$1,673	\$173	
	8 ft.	96 in.	\$501	\$554	\$633	\$725	\$821	\$944	\$1,040	\$1,175	\$1,285	\$1,457	\$1,577	\$1,688	\$1,772	\$186	
	8.5 ft.	102 in.	\$522	\$583	\$667	\$773	\$870	\$1,000	\$1,107	\$1,234	\$1,368	\$1,541	\$1,673	\$1,795	\$1,882	\$194	
	9 ft.	108 in.	\$552	\$606	\$700	\$809	\$918	\$1,056	\$1,159	\$1,307	\$1,440	\$1,617	\$1,755	\$1,880	\$1,969	\$204	
	9.5 ft.	114 in.	\$578	\$636	\$738	\$854	\$967	\$1,109	\$1,228	\$1,370	\$1,518	\$1,711	\$1,846	\$1,974	\$2,075	\$218	
	10 ft.	120 in.	\$603	\$666	\$773	\$890	\$999	\$1,160	\$1,264	\$1,444	\$1,582	\$1,782	\$1,933	\$2,072	\$2,175	\$227	

Contact factory for blinds in the shaded section.

Materials

Basswood Glossy

2 in. Exotic Wood Blinds / 2 in. Metallic Finishes Manual Retail Pricing

		WIDTH															
Feet	Inches	2 ft.	2.5 ft.	3 ft.	3.5 ft.	4 ft.	4.5 ft.	5 ft.	5.5 ft.	6 ft.	6.5 ft.	7 ft.	7.5 ft.	8 ft.	Add 10"		
		24 in.	32 in.	36 in.	42 in.	48 in.	54 in.	60 in.	66 in.	72 in.	78 in.	84 in.	90 in.	96 in.			
HEIGHT	2.5 ft.	30 in.	\$293	\$349	\$412	\$452	\$486	\$552	\$643	\$667	\$692	\$841	\$890	\$948	\$989	\$99	
		3 ft.	36 in.	\$338	\$396	\$461	\$503	\$544	\$635	\$725	\$766	\$783	\$956	\$989	\$1,055	\$1,104	\$115
		3.5 ft.	42 in.	\$371	\$433	\$503	\$560	\$602	\$709	\$816	\$841	\$890	\$1,030	\$1,121	\$1,195	\$1,253	\$127
		4 ft.	48 in.	\$400	\$478	\$552	\$610	\$667	\$783	\$898	\$948	\$997	\$1,145	\$1,253	\$1,343	\$1,417	\$140
		4.5 ft.	54 in.	\$442	\$524	\$602	\$667	\$725	\$864	\$972	\$1,055	\$1,112	\$1,285	\$1,384	\$1,483	\$1,582	\$165
		5 ft.	60 in.	\$486	\$569	\$651	\$725	\$799	\$939	\$1,055	\$1,145	\$1,211	\$1,393	\$1,508	\$1,615	\$1,714	\$173
		5.5 ft.	66 in.	\$527	\$616	\$700	\$783	\$882	\$1,030	\$1,154	\$1,253	\$1,335	\$1,524	\$1,640	\$1,813	\$1,904	\$198
		6 ft.	72 in.	\$577	\$651	\$750	\$849	\$956	\$1,121	\$1,261	\$1,335	\$1,426	\$1,623	\$1,747	\$1,879	\$1,969	\$206
		6.5 ft.	78 in.	\$597	\$667	\$775	\$865	\$981	\$1,154	\$1,294	\$1,376	\$1,516	\$1,730	\$1,871	\$2,002	\$2,101	\$214
		7 ft.	84 in.	\$643	\$717	\$824	\$931	\$1,055	\$1,211	\$1,318	\$1,475	\$1,632	\$1,846	\$2,002	\$2,142	\$2,250	\$231
	7.5 ft.	90 in.	\$684	\$758	\$870	\$989	\$1,121	\$1,285	\$1,393	\$1,566	\$1,722	\$1,945	\$2,126	\$2,274	\$2,390	\$247	
	8 ft.	96 in.	\$714	\$783	\$898	\$1,030	\$1,162	\$1,351	\$1,483	\$1,730	\$1,838	\$2,085	\$2,258	\$2,414	\$2,530	\$264	
	8.5 ft.	102 in.	\$750	\$832	\$948	\$1,096	\$1,244	\$1,434	\$1,582	\$1,772	\$1,953	\$2,208	\$2,390	\$2,563	\$2,695	\$280	
	9 ft.	108 in.	\$783	\$865	\$997	\$1,154	\$1,310	\$1,508	\$1,656	\$1,871	\$2,052	\$2,316	\$2,505	\$2,695	\$2,826	\$293	
	9.5 ft.	114 in.	\$986	\$906	\$1,055	\$1,220	\$1,376	\$1,587	\$1,755	\$1,961	\$2,167	\$2,447	\$2,637	\$2,826	\$2,967	\$305	
	10 ft.	120 in.	\$857	\$948	\$1,096	\$1,269	\$1,450	\$1,665	\$1,805	\$2,060	\$2,266	\$2,546	\$2,761	\$2,967	\$3,115	\$321	

Contact factory for blinds in the shaded section.

Materials

Exotic Wood
Metallic Finishes

Contact factory for motorization options

2 in. Leather Blind Manual Retail Pricing

		WIDTH													
Feet															
	2 ft.	2.5 ft.	3 ft.	3.5 ft.	4 ft.	4.5 ft.	5 ft.	5.5 ft.	6 ft.	6.5 ft.	7 ft.	7.5 ft.	8 ft.		
Inches	24 in.	32 in.	36 in.	42 in.	48 in.	54 in.	60 in.	66 in.	72 in.	78 in.	84 in.	90 in.	96 in.		
HEIGHT	2.5 ft.	30 in.	\$658	\$862	\$971	\$1,134	\$1,272	\$1,424	\$1,562	\$1,712	\$1,846	\$2,009	\$2,154	\$2,316	\$2,461
	3 ft.	36 in.	\$771	\$1,020	\$1,140	\$1,322	\$1,508	\$1,665	\$1,839	\$2,002	\$2,172	\$2,352	\$2,533	\$2,714	\$2,896
	3.5 ft.	42 in.	\$766	\$1,231	\$1,370	\$1,587	\$1,798	\$2,002	\$2,208	\$2,406	\$2,606	\$2,823	\$3,041	\$3,257	\$3,474
	4 ft.	48 in.	\$1,043	\$1,381	\$1,538	\$1,791	\$2,021	\$2,263	\$2,485	\$2,714	\$2,932	\$3,184	\$3,420	\$3,674	\$3,909
	4.5 ft.	54 in.	\$1,195	\$1,592	\$1,767	\$2,057	\$2,316	\$2,617	\$2,853	\$3,113	\$3,365	\$3,655	\$3,927	\$4,216	\$4,488
	5 ft.	60 in.	\$1,315	\$1,744	\$1,936	\$2,245	\$2,546	\$2,835	\$3,131	\$3,408	\$3,692	\$4,000	\$4,306	\$4,615	\$4,923
	5.5 ft.	66 in.	\$1,465	\$1,936	\$2,166	\$2,510	\$2,841	\$3,168	\$3,499	\$3,805	\$4,125	\$4,470	\$4,814	\$5,157	\$5,501
	6 ft.	72 in.	\$1,580	\$2,093	\$2,334	\$2,721	\$3,064	\$3,426	\$3,771	\$4,120	\$4,451	\$4,832	\$5,193	\$5,574	\$5,935
	6.5 ft.	78 in.	\$1,737	\$2,304	\$2,564	\$2,986	\$3,365	\$3,758	\$4,138	\$4,517	\$4,887	\$5,302	\$5,701	\$6,116	\$6,515
	7 ft.	84 in.	\$1,852	\$2,456	\$2,739	\$3,173	\$3,589	\$4,000	\$4,415	\$4,807	\$5,211	\$5,646	\$6,080	\$6,515	\$6,948
	7.5 ft.	90 in.	\$1,966	\$2,606	\$2,907	\$3,379	\$3,812	\$4,259	\$4,692	\$5,121	\$5,537	\$6,007	\$6,460	\$6,930	\$7,383
	8 ft.	96 in.	\$2,123	\$2,823	\$3,136	\$3,644	\$4,114	\$4,590	\$5,061	\$5,519	\$5,971	\$6,479	\$6,966	\$7,474	\$7,962
	8.5 ft.	102 in.	\$2,238	\$2,973	\$3,306	\$3,830	\$4,338	\$4,832	\$5,338	\$5,809	\$6,297	\$6,821	\$7,347	\$7,871	\$8,397
	9 ft.	108 in.	\$2,395	\$3,184	\$3,535	\$4,095	\$4,639	\$5,170	\$5,706	\$6,213	\$6,732	\$7,293	\$7,853	\$8,415	\$8,975
9.5 ft.	114 in.	\$2,510	\$3,336	\$3,703	\$4,306	\$4,862	\$5,429	\$5,978	\$6,520	\$7,057	\$7,655	\$8,234	\$8,830	\$9,410	
10 ft.	120 in.	\$2,667	\$3,558	\$3,932	\$4,567	\$5,163	\$5,760	\$6,345	\$6,925	\$7,492	\$8,125	\$8,740	\$9,374	\$9,989	

Contact factory for blinds in the shaded section.

Materials

Leather

Aluminium Venetian Blind Manual Retail Pricing

		WIDTH																			
Inches																					
	12 in.	23 in.	26 in.	29 in.	32 in.	36 in.	40 in.	44 in.	48 in.	52 in.	57 in.	62 in.	67 in.	72 in.	82 in.	92 in.	102 in.	112 in.	122 in.	132 in.	142 in.
42 in.	\$171	\$147	\$155	\$166	\$181	\$204	\$218	\$236	\$249	\$270	\$303	\$321	\$348	\$364	\$409	\$455	\$513	\$554	\$605	\$653	\$692
48 in.	\$180	\$155	\$166	\$188	\$201	\$222	\$242	\$257	\$277	\$295	\$331	\$354	\$379	\$402	\$455	\$499	\$560	\$608	\$667	\$712	\$758
54 in.	\$191	\$166	\$188	\$201	\$213	\$242	\$257	\$280	\$300	\$316	\$359	\$389	\$409	\$437	\$493	\$546	\$611	\$667	\$725	\$778	\$832
60 in.	\$211	\$186	\$201	\$213	\$231	\$257	\$280	\$303	\$321	\$351	\$391	\$412	\$447	\$470	\$534	\$585	\$667	\$720	\$788	\$841	\$898
66 in.	\$219	\$194	\$211	\$231	\$249	\$280	\$303	\$321	\$353	\$371	\$417	\$448	\$476	\$511	\$575	\$635	\$712	\$771	\$842	\$905	\$964
72 in.	\$231	\$206	\$226	\$246	\$262	\$297	\$320	\$351	\$371	\$396	\$448	\$483	\$511	\$546	\$611	\$679	\$761	\$832	\$905	\$967	\$1,033
78 in.	\$242	\$218	\$242	\$257	\$280	\$316	\$344	\$368	\$396	\$424	\$476	\$511	\$546	\$578	\$654	\$720	\$809	\$883	\$962	\$1,033	\$1,103
84 in.	\$257	\$232	\$251	\$277	\$300	\$331	\$359	\$392	\$417	\$448	\$508	\$544	\$578	\$611	\$697	\$763	\$859	\$938	\$1,020	\$1,096	\$1,167
90 in.	\$270	\$246	\$270	\$290	\$313	\$353	\$389	\$410	\$447	\$473	\$534	\$575	\$608	\$649	\$737	\$809	\$911	\$994	\$1,078	\$1,160	\$1,239
96 in.	\$282	\$257	\$280	\$307	\$331	\$371	\$402	\$437	\$466	\$504	\$560	\$603	\$643	\$686	\$775	\$854	\$962	\$1,047	\$1,137	\$1,218	\$1,309
102 in.	\$298	\$274	\$297	\$320	\$351	\$391	\$424	\$457	\$493	\$527	\$595	\$636	\$679	\$720	\$812	\$905	\$1,007	\$1,103	\$1,201	\$1,290	\$1,373
108 in.	\$307	\$282	\$308	\$333	\$364	\$405	\$447	\$483	\$519	\$554	\$616	\$667	\$712	\$755	\$854	\$949	\$1,060	\$1,150	\$1,257	\$1,351	\$1,442
114 in.	\$321	\$297	\$321	\$353	\$379	\$428	\$466	\$508	\$544	\$578	\$649	\$697	\$748	\$789	\$898	\$994	\$1,111	\$1,208	\$1,320	\$1,417	\$1,506
120 in.	\$331	\$307	\$333	\$366	\$396	\$447	\$483	\$524	\$564	\$603	\$679	\$725	\$778	\$829	\$938	\$1,038	\$1,162	\$1,264	\$1,381	\$1,480	\$1,576
126 in.	\$341	\$316	\$353	\$386	\$410	\$466	\$508	\$547	\$588	\$635	\$707	\$755	\$809	\$860	\$974	\$1,078	\$1,208	\$1,314	\$1,442	\$1,539	\$1,641

Contact factory for blinds in the shaded section.

Materials

Aluminium

Contact factory for motorization options



Wood Blinds

Price Grid 7

Perforated Aluminum Blind Manual Retail Pricing

		WIDTH																				
Inches		12 in.	23 in.	26 in.	29 in.	32 in.	36 in.	40 in.	44 in.	48 in.	52 in.	57 in.	62 in.	67 in.	72 in.	82 in.	92 in.	102 in.	112 in.	122 in.	132 in.	142 in.
HEIGHT	42 in.	\$189	\$161	\$170	\$183	\$199	\$225	\$239	\$259	\$274	\$297	\$334	\$354	\$383	\$401	\$450	\$500	\$564	\$609	\$665	\$718	\$761
	48 in.	\$198	\$170	\$183	\$207	\$221	\$245	\$266	\$283	\$305	\$325	\$364	\$390	\$417	\$442	\$500	\$549	\$616	\$669	\$734	\$783	\$834
	54 in.	\$210	\$183	\$207	\$221	\$234	\$266	\$283	\$308	\$330	\$348	\$395	\$428	\$450	\$480	\$542	\$600	\$673	\$734	\$798	\$856	\$915
	60 in.	\$232	\$205	\$221	\$234	\$254	\$283	\$308	\$334	\$354	\$386	\$430	\$453	\$491	\$517	\$587	\$644	\$734	\$792	\$867	\$925	\$988
	66 in.	\$241	\$214	\$232	\$254	\$274	\$308	\$334	\$354	\$388	\$408	\$459	\$493	\$524	\$562	\$633	\$698	\$783	\$848	\$926	\$995	\$1,061
	72 in.	\$254	\$227	\$248	\$270	\$288	\$326	\$352	\$386	\$408	\$435	\$493	\$531	\$562	\$600	\$673	\$747	\$838	\$915	\$995	\$1,064	\$1,137
	78 in.	\$266	\$239	\$266	\$283	\$308	\$348	\$379	\$404	\$435	\$466	\$524	\$562	\$600	\$636	\$720	\$792	\$890	\$972	\$1,059	\$1,137	\$1,213
	84 in.	\$283	\$256	\$276	\$305	\$330	\$364	\$395	\$431	\$459	\$493	\$558	\$598	\$636	\$673	\$767	\$839	\$945	\$1,032	\$1,122	\$1,206	\$1,284
	90 in.	\$297	\$270	\$297	\$319	\$344	\$388	\$428	\$451	\$491	\$520	\$587	\$633	\$669	\$714	\$810	\$890	\$1,003	\$1,093	\$1,186	\$1,276	\$1,363
	96 in.	\$310	\$283	\$308	\$337	\$364	\$408	\$442	\$480	\$513	\$555	\$616	\$664	\$707	\$754	\$852	\$939	\$1,059	\$1,151	\$1,251	\$1,340	\$1,439
	102 in.	\$328	\$301	\$326	\$352	\$386	\$430	\$466	\$502	\$542	\$580	\$654	\$700	\$747	\$792	\$894	\$995	\$1,108	\$1,213	\$1,322	\$1,419	\$1,510
	108 in.	\$337	\$310	\$339	\$366	\$401	\$446	\$491	\$531	\$571	\$609	\$678	\$734	\$783	\$830	\$939	\$1,044	\$1,166	\$1,265	\$1,383	\$1,487	\$1,586
	114 in.	\$354	\$326	\$354	\$388	\$417	\$471	\$513	\$558	\$598	\$636	\$714	\$767	\$823	\$868	\$988	\$1,093	\$1,222	\$1,329	\$1,452	\$1,559	\$1,657
120 in.	\$364	\$337	\$366	\$402	\$435	\$491	\$531	\$576	\$620	\$664	\$747	\$798	\$856	\$912	\$1,032	\$1,142	\$1,278	\$1,390	\$1,519	\$1,628	\$1,733	
126 in.	\$375	\$348	\$388	\$424	\$451	\$513	\$558	\$602	\$647	\$698	\$778	\$830	\$890	\$946	\$1,071	\$1,186	\$1,329	\$1,445	\$1,586	\$1,693	\$1,806	

Contact factory for blinds in the shaded section.

Materials

Perforated Aluminum

Contact factory for motorization options

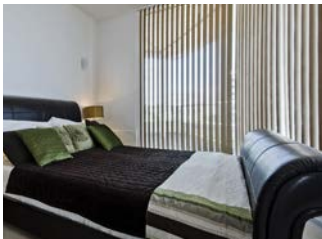


Optimal light control demands optimal flexibility to meet changing light intensity and adjust to the ever-changing angle of the sunlight. Vertical blinds, if properly adjusted, are one of the very few shading system options that provide almost complete control of light filtering by regulating openness and visibility from virtual zero to fully unobstructed openness.

The success of light control depends on the ease with which shading can be adjusted. BTX vertical blind systems are unique because they offer optimal flexibility. BTX provides systems with easy and automatic adjustment that facilitate regular operation, turning them into important functional elements in the environment.



The BTX Slenderline System is a unique clutch device that accurately rotates vertical blind louvers to any desired angle and traverses them automatically to fully clear the window, or to any desired opening position in between. The systems accept practically any type of louver material available on the market. BTX Slenderline systems are available for almost any louver width a customer may specify. This gives customers the ability to precisely choose the fabric and color composition they desire.



Motorized Slenderline Vertical Blind Systems

- 110V AC Motor
- External Control Modules
- Mechanical Limits
- Max Size: 23 ft. One-Way; 46 ft. Split Draw
- Hardware Only



Vertical Blinds

Pricing Instructions

How to Price Vertical Blind Systems

Vertical Blind systems are provided as hardware only, and are built to specification. See the steps below to see how to price out your Skylight systems:

- 1 Review the general information and important information for each type of drapery system to make sure you are selecting the most appropriate solution for your project. Consider factors such as pulling capacity, control type, vane spacing etc.
- 2 Round your desired track dimension up to the nearest foot, and match that dimension in the price grid to locate the listed retail price.

		System Retail Pricing by Width								<i>Example: 102 in. track would price out under the 108 in. grid price.</i>	
		2 ft. 24 in.	3 ft. 23 in.	4 ft. 48 in.	5 ft. 60 in.	6 ft. 72 in.	7 ft. 84 in.	8 ft. 96 in.	9 ft. 108 in.	10 ft. 120 in.	
Slenderline		\$1,195	\$1,320	\$1,444	\$1,569	\$1,694	\$1,819	\$1,944	\$2,069	\$2,194	
Tandem		\$2,160	\$2,419	\$2,429	\$2,689	\$2,699	\$2,959	\$2,969	\$3,229	\$3,239	

- 3 Review the options and surcharges and include any additional fees required to finalize your track configuration.

Control Options	
MMC (required for RF control).....	\$450
Handsender (6-Channel White)	\$125
Wireless Wallswitch (2-Ch or 5-Ch).....	\$175
Contact Closure Lead, 5 ft.....	\$20
Extended Power Lead.....	\$10/foot
RS-232 Control.....	Call for Quote

For system requirements outside the listed specifications, give us a call to review options and availability.



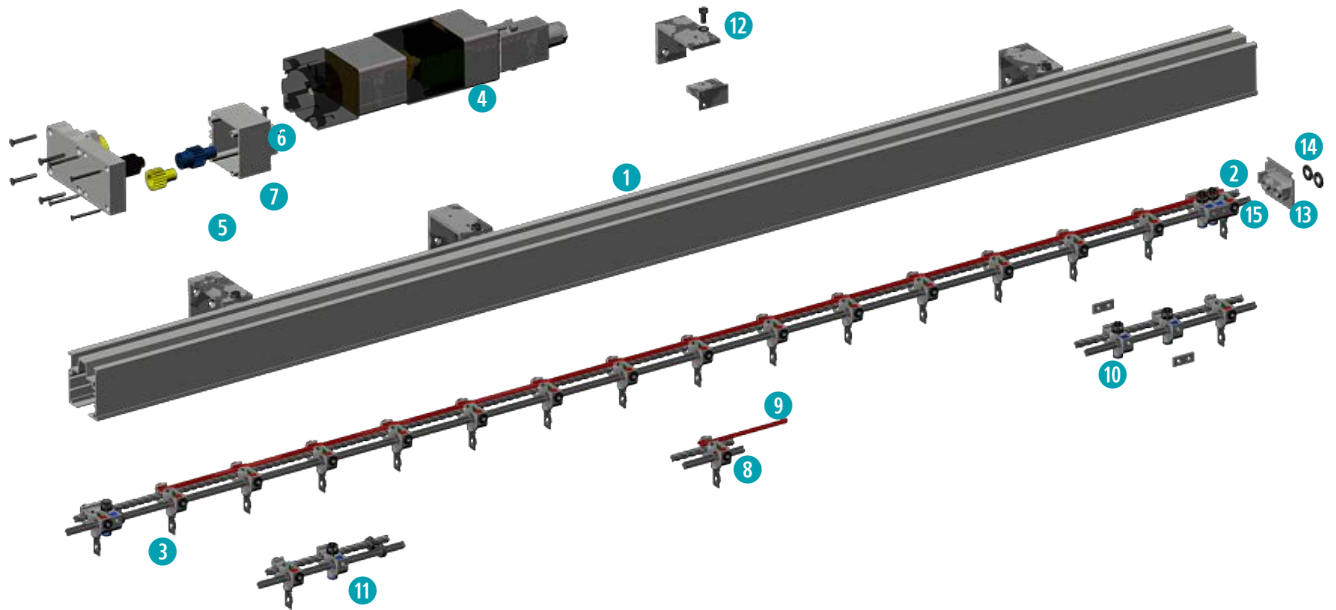
Vertical Blinds

Variation Spec Chart

Vertical Blind System Specifications

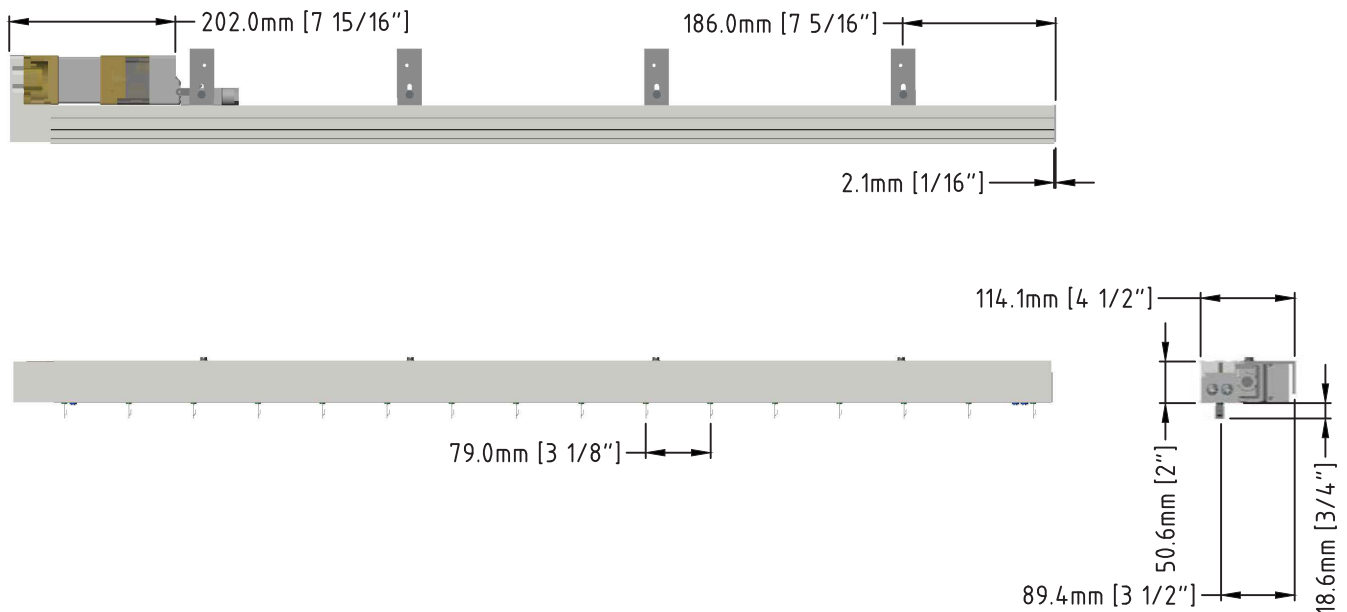
System	Max Width 2 in.Vanes	Max Width 3 1/2 in. or 5 in. Vanes	Max Weight Per Vane	Max Total Vane
Slenderline	14 ft.	23 ft.	1 1/2 lbs.	60 lbs.
Slenderline Tandem Tracks	28 ft.	46 ft.	1 1/2 lbs.	120 lbs.

Slenderline One-Way System Assembly Model: 1200

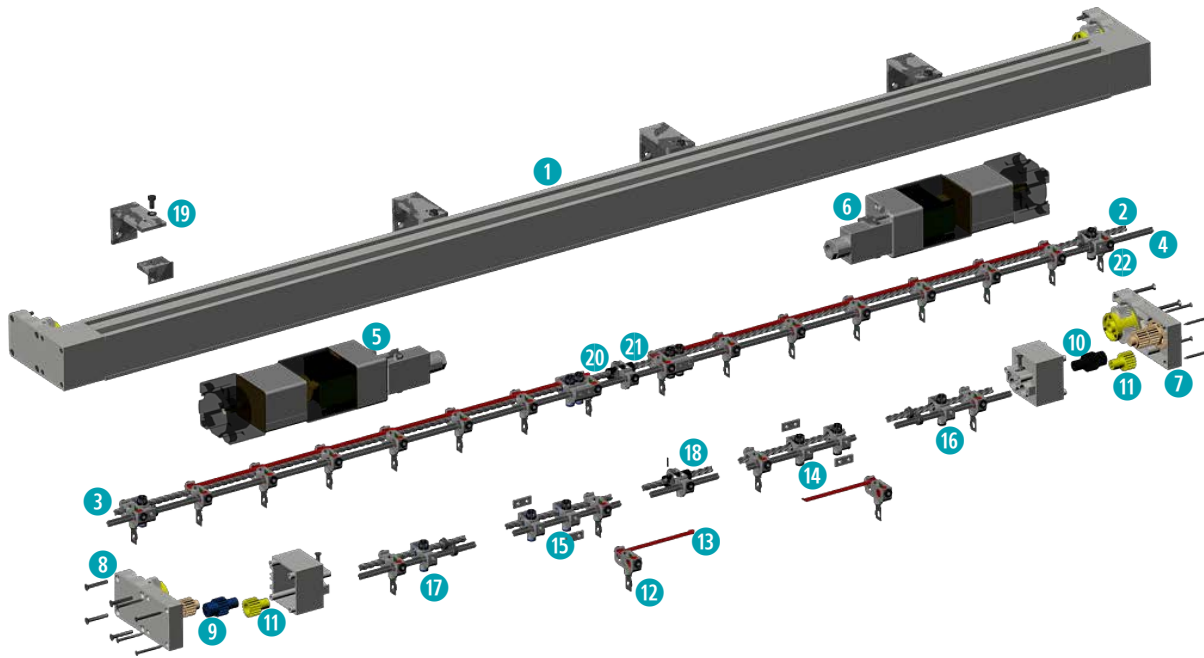


- | | | |
|------------------------------------|--|--|
| 1 310.6360 - Headrail, Slenderline | 6 256.4520 - Gear, Spindle Shaft, Blue | 11 266.1020 - Brake Runner, Double Plate |
| 2 313.2023 - Spindle Shaft, Blue | 7 256.6000 - Fear, Tilt Shaft | 12 236.1700 - Bracket, Slenderline |
| 3 312.7023 - Tilt Shaft | 8 240.1800 - Carrier, 180 | 13 250.2060 - Cap, End non Drive, Vertical |
| 4 101.3045 - Motor, 30W Classic | 9 264.0782 - Link Holder | 14 278.6000 - Retaining Washer |
| 5 256.2060 - Gear, H/L | 10 266.3320 - Drive Runner, Double Plate | 15 279.1500 - Set Collar |

Slenderline One-Way System Dimensions

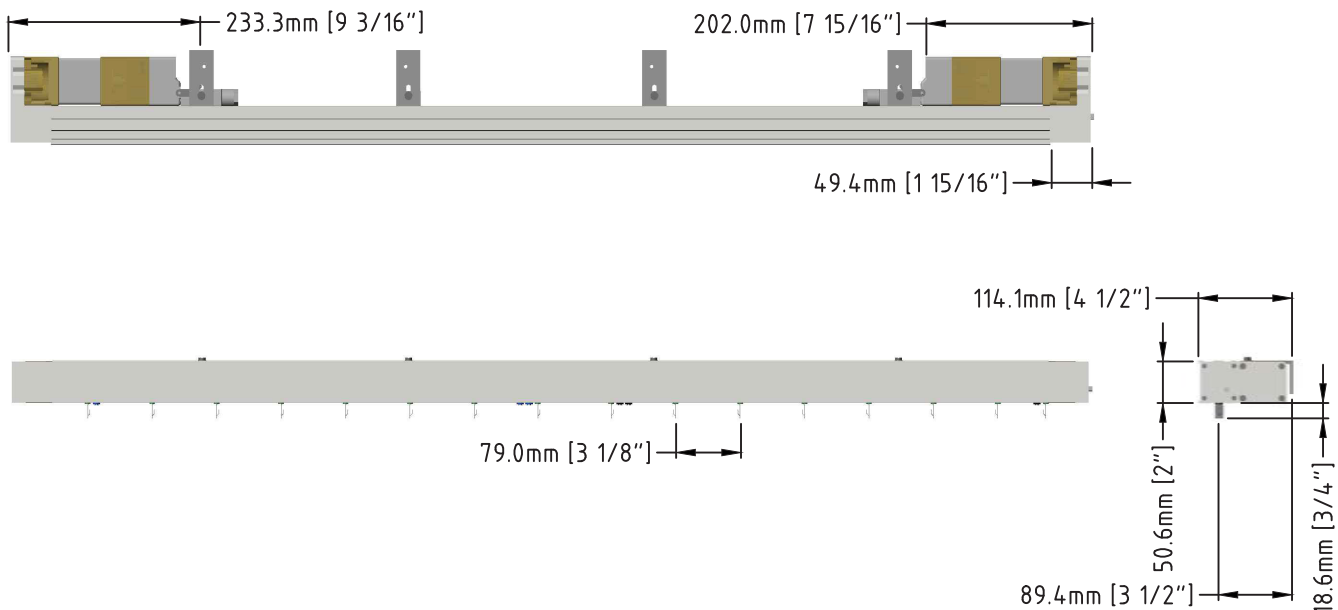


Slenderline Tandem System Assembly Model: 1200-T



- | | | | |
|------------------------------------|---|---|------------------------------------|
| 1 310.6360 - Headrail, Slenderline | 7 256.2060 - Gear, H/L | 13 264.0782 - Link Holder | 18 265.1000 - Support, Center |
| 2 313.1523 - Spindle Shaft, Black | 8 256.2560 - Gear, H/R | 14 266.3315 - Drive Runner, Triple Plate, Black | 19 236.1700 - Bracket, Slenderline |
| 3 313.2023 - Spindle Shaft, Blue | 9 256.4515 - Gear, Spindle Shaft Black | 15 266.3320 - Drive Runner, Triple Plate, Blue | 20 248.4500 - Coupler, Shaft |
| 4 312.7023 - Tilt Shaft | 10 256.4520 - Gear, Spindle Shaft, Blue | 16 266.1015 - Brake Runner, Double Plate, Black | 21 278.8000 - Shaft Pin |
| 5 101.3045 - Motor, Classic 30W | 11 256.6000 - Gear, Tilt Shaft | 17 266.1020 - Brake Runner, Double Plate, Blue | 22 279.1500 - Set Collar |
| 6 101.3145 - Motor, Classic 30W | 12 240.1800 - Carrier, 180 | | |

Slenderline One-Way System Dimensions





Vertical Blinds

Retail Pricing

What comes with the standard grid price?

Your BTX Intelligent Fashion Slenderline Vertical Blind System comes with:

- Motorized Vertical track system, built to your exact specifications
- A Classic 45-Watt motor, with mechanical limits and a pulling capacity of up to 160 lbs. (Motor comes with 7 ft. lead)
- Your choice of wall or ceiling brackets, calculated at 1 bracket per each 18 in.

Important information regarding this system:

- Control devices are sold separately! Please specify whether you want a handsender, wall switch, or other control method. Vertical systems do not have internal RF receivers, so for RF transmitters, you must include an MMC device.
- Additional peripherals may be required based on your control scenario
- Tandem systems require a tandem wiring harness
- Please be prepared to answer the following questions about your system:
 - Stack Side and Type (one-way, split draw)
 - Motor Side (left or right)
 - How would you like the systems programmed (we do program and test everything before shipping!)
- If you have a preference on packaging method (box or crate), please specify, otherwise we will select the safest and most economical method to get your product to you

System Retail Pricing by Width

Feet	2 ft.	3 ft.	4 ft.	5 ft.	6 ft.	7 ft.	8 ft.	9 ft.	10 ft.	11 ft.	12 ft.
Inches	24 in.	36 in.	48 in.	60 in.	72 in.	84 in.	96 in.	108 in.	120 in.	132 in.	144 in.
Slenderline	\$1,330	\$1,464	\$1,599	\$1,733	\$1,867	\$2,001	\$2,135	\$2,269	\$2,403	\$2,538	\$2,671
Tandem	\$2,427	\$2,717	\$2,729	\$3,021	\$3,032	\$3,324	\$3,336	\$3,628	\$3,639	\$3,931	\$3,943

13 ft.	14 ft.	15 ft.	16 ft.	17 ft.	18 ft.	19 ft.	20 ft.	21 ft.	22 ft.	23 ft.
156 in.	168 in.	180 in.	192 in.	204 in.	216 in.	228 in.	240 in.	252 in.	264 in.	276 in.
\$2,807	\$2,940	\$3,074	\$3,209	\$3,342	\$3,478	\$3,611	\$3,745	\$3,880	\$4,013	\$4,148
\$4,234	\$4,244	\$4,537	\$4,548	\$4,841	\$4,851	\$5,143	\$5,154	\$5,446	\$5,458	\$5,749

Product Options and Surcharges

Control Options

Handsender (1 or 6-Channel White)	\$125
Wireless Wallswitch (2-Ch or 5-Ch)	\$150
Contact Closure Lead, 5 ft.	\$20
Extended Power Lead	\$30/foot
BTX MMC Radio Receiver.....	\$450
SmartConnect RS-232 Interface.....	\$350
Somfy RTS Radio Receiver	\$580

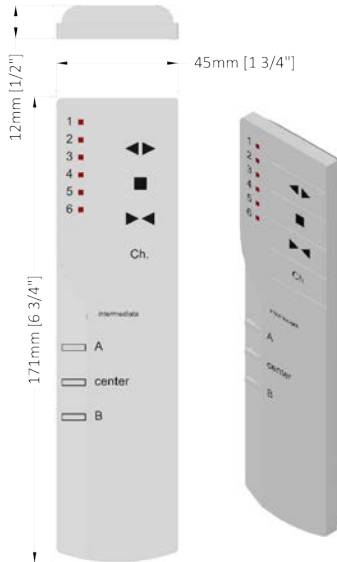
System Options

Custom Powder Coat	Call for Quote
--------------------------	----------------



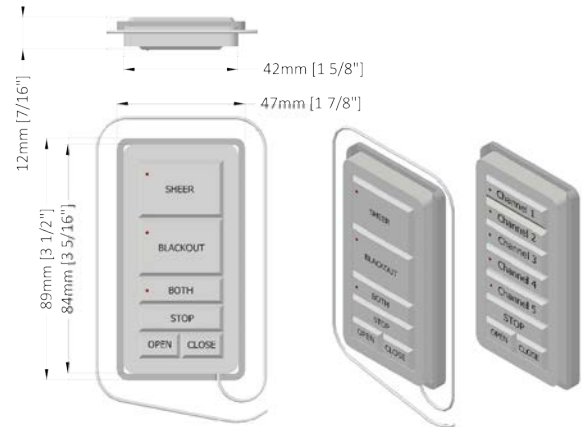
BTX features a wide range of plug-and-play, or custom-built control solutions. Whether you require a motorized shading system with simple built-in radio for local control, or you need a completely custom-tailored solution for your building management system, BTX help guide you through the appropriate solution. BTX can cater to almost everything included wired connections, high-voltage, low-voltage, radio, dry contact closure, third party integration, and more. The next few pages contains details for some commonly used control components. For more detailed information that suits your application, give us a call and we will provide you with the appropriate documentation or specifications.

6-Channel Handsender 490.2076



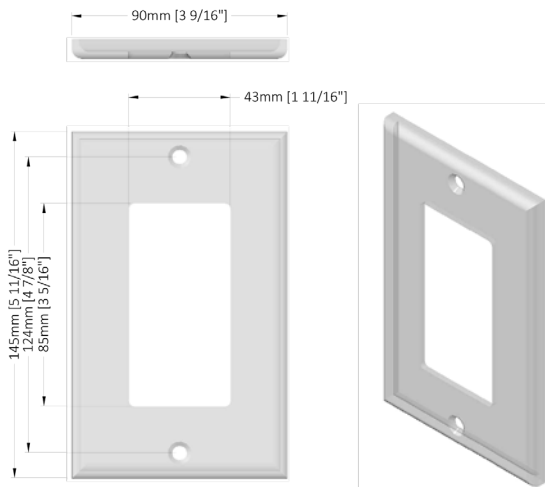
- BTX 433 MHz RF
- 6 single systems or 6 groups of systems

2-Channel & 5-Channel Wireless Wallswitch 480.XXX & 480.XXX



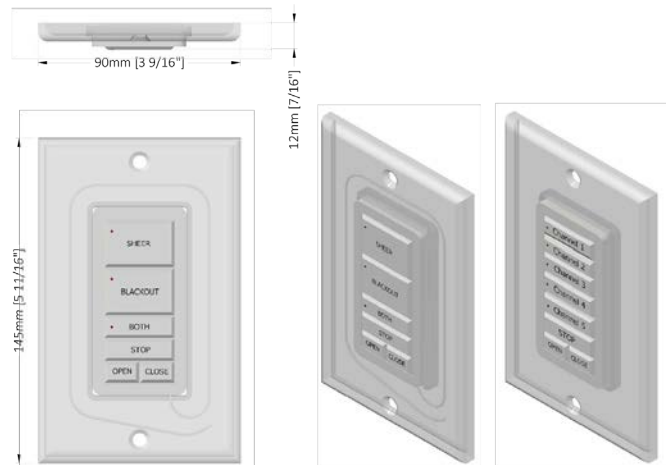
- BTX 433 MHz RF
- Flush mount switch for easy installation

Decora Switchplate 400.XXX



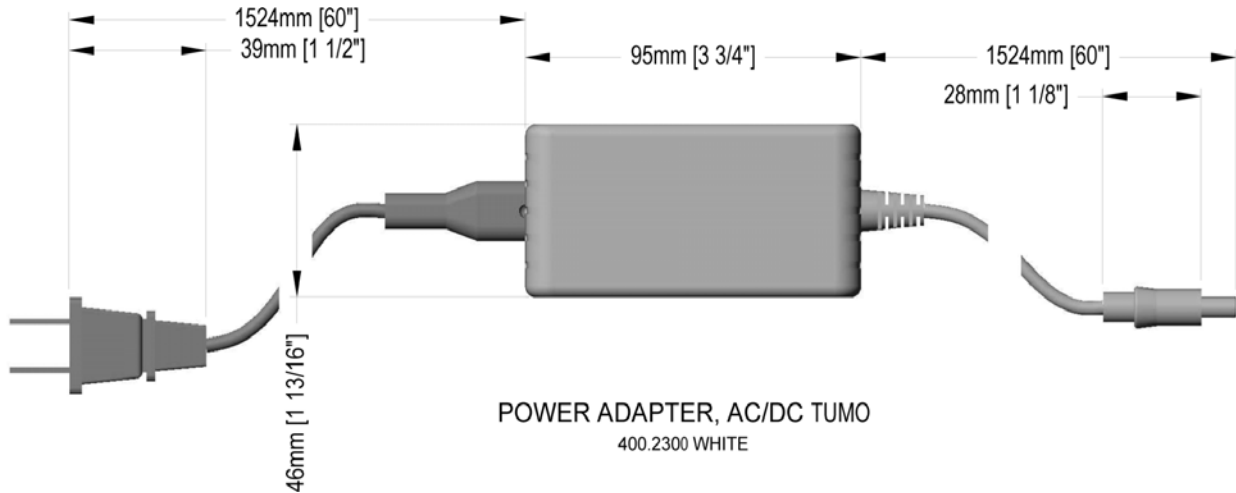
- Standard Decora Switchplate
- Available in Almond or White

Switch with Switchplate



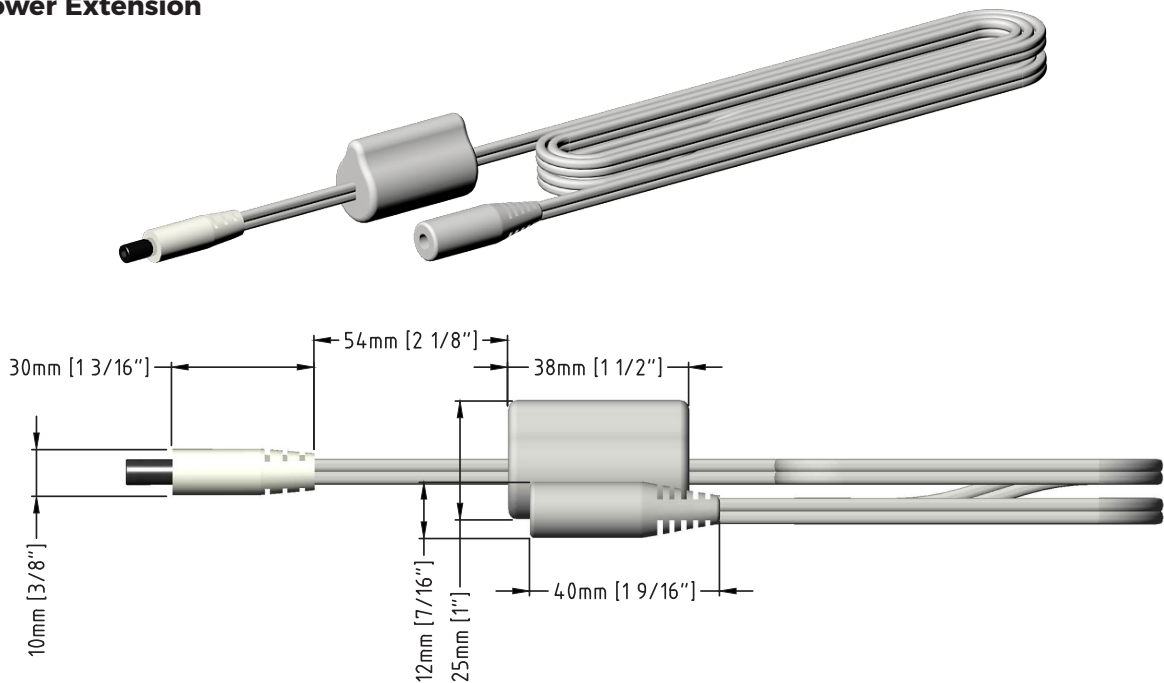
- Switch and plate assembly
- Note: 2-Channel switches require antennas to be properly wrapped and spaced behind the switchplate for best performance

110V/24V AC/DC Power Transformer 400.2300



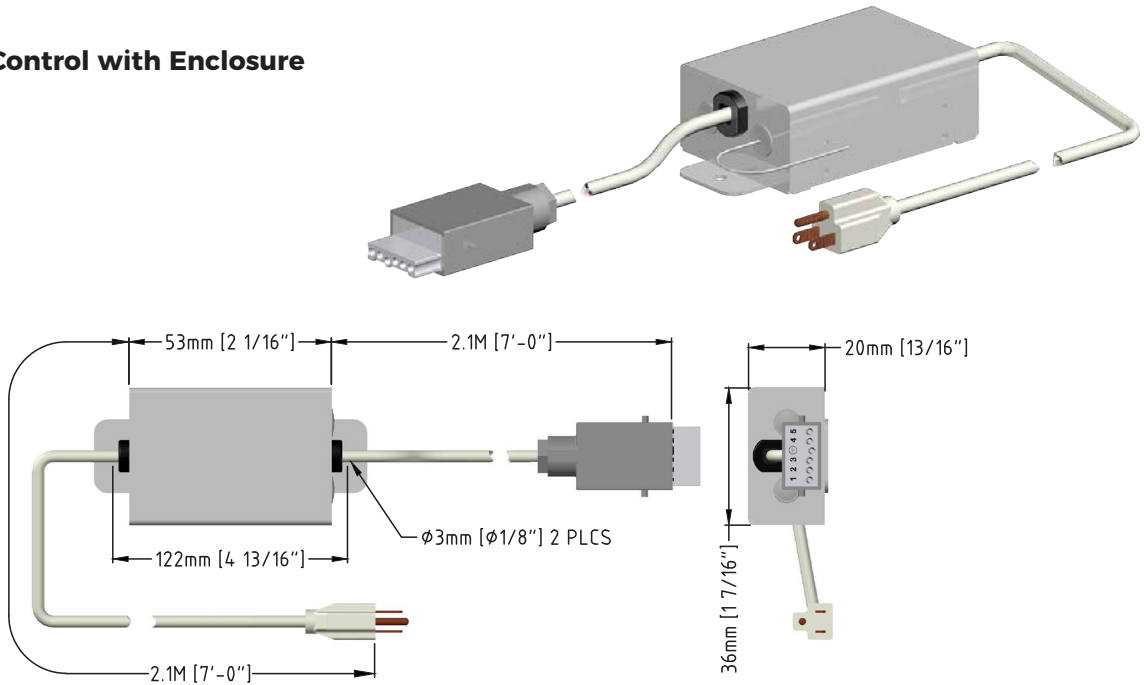
- Total cable length: 10 ft.
- For use with Tumo Xcel (101.9010) and Tumo HD (101.9020) Drapery Motors
- For use with Tumo DC RF Roller Shade motors (101.9215)

24V DC Power Extension 400.8001



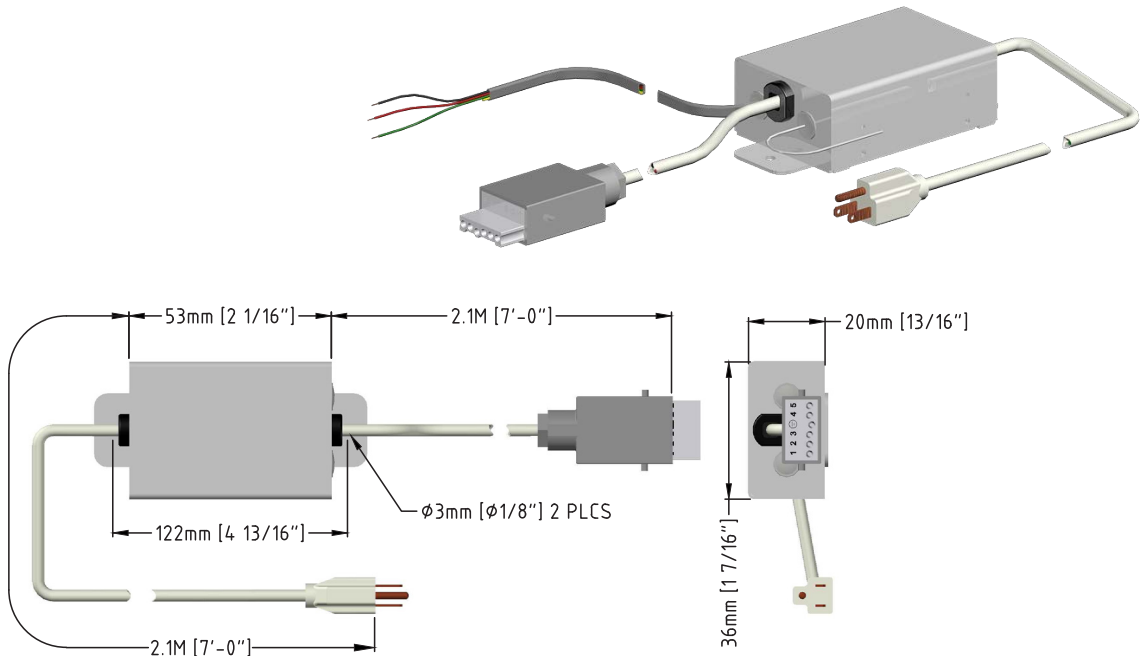
- Total cable length: 33 ft.
- Compatible with Tumo 110V/24V AC/DC Power Supply (400.2300)

BTX MMC Radio Control with Enclosure



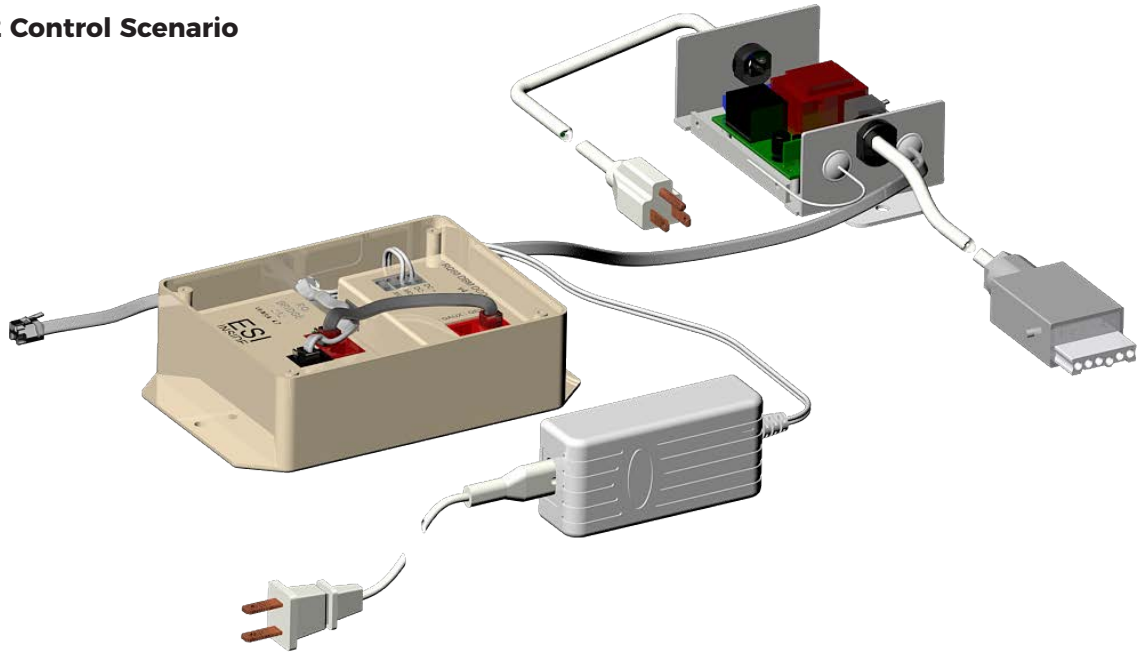
- Adds Radio Control to 110V AC 4-Wire BTX motorized window coverings (Classic, Tumo 4-wire, etc.)
- Cable length can be customized
- Discuss exact control requirements with BTX Technician before installation

BTX MMC with Contact Closure / Low Voltage Interface



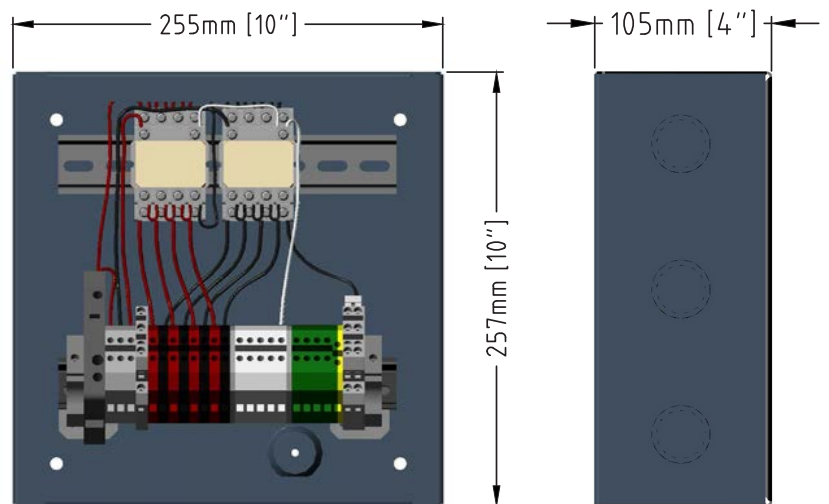
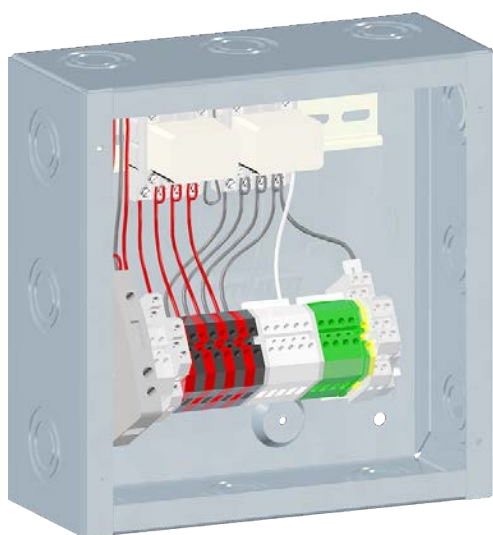
- Adds Radio Control and Contact Closure to 110V AC 4-Wire BTX motorized window coverings (Classic, Tumo 4-wire, etc.)
- Cable length can be customized
- Discuss exact control requirements with BTX Technician before installation

BTX RS232 Control Scenario



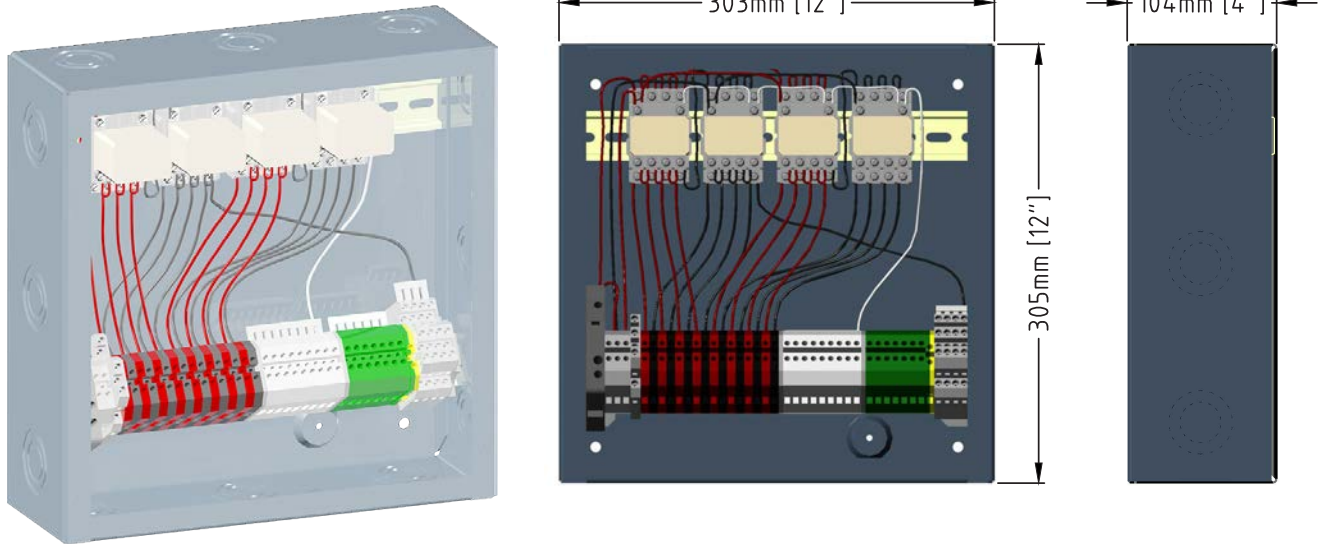
- Simple representation of BTX RS232 Integration Configuration. Control setup is customized per project. Additional configurations and enclosure types are available.
- Discuss exact control requirements with BTX Technician before installation

4-unit 110V Group Control Box 424.4110



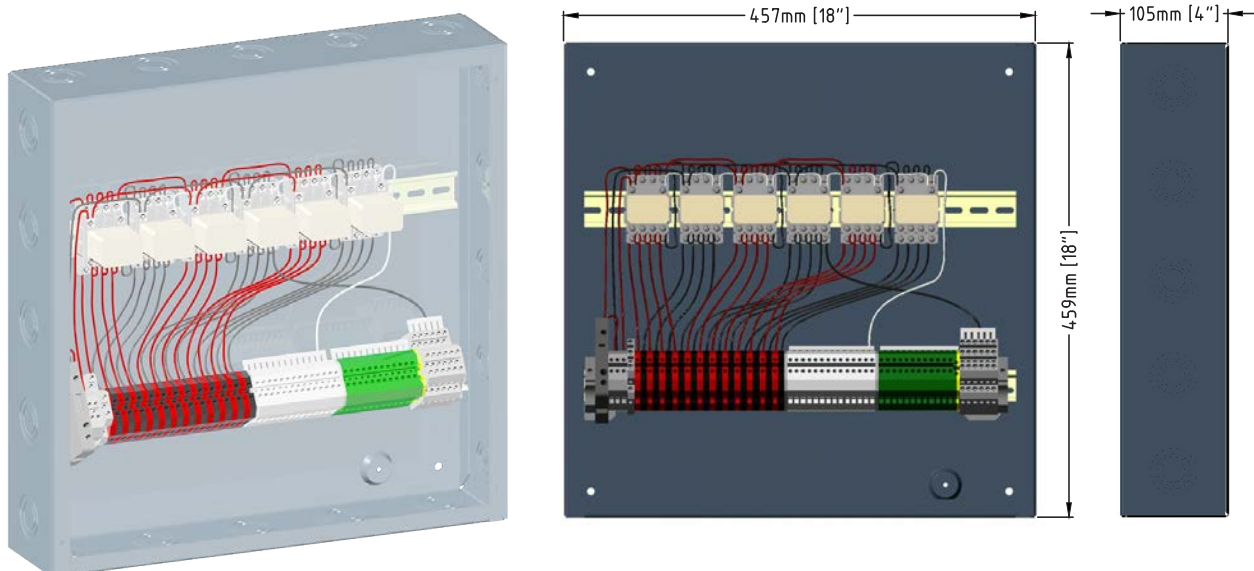
- Group control box designed for use with 110V AC 4-Wire BTX motorized window coverings (Classic, Tumo 4-wire, etc.)
- Box Dimensions: 10 in. x 10 in. x 4 in.

8-unit 110V Group Control Box 424.8110



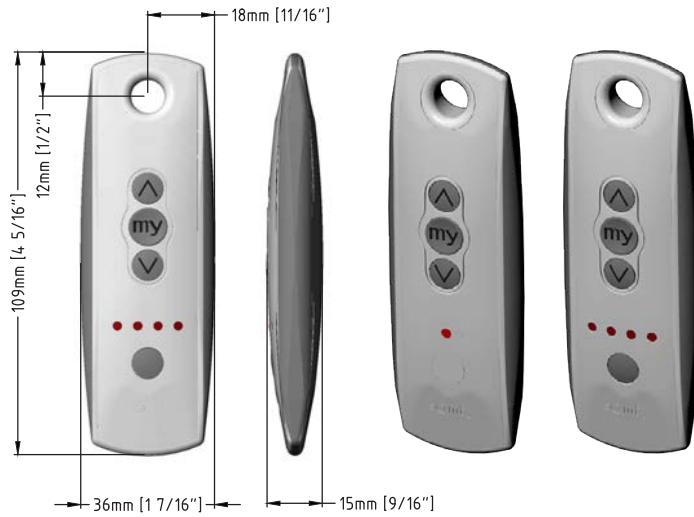
- Group control box designed for use with 110V AC 4-Wire BTX motorized window coverings (Classic, Tumo 4-wire, etc.)
- Box Dimensions: 12 in. x 12 in. x 4 in.

12-unit 110V Group Control Box 424.1210



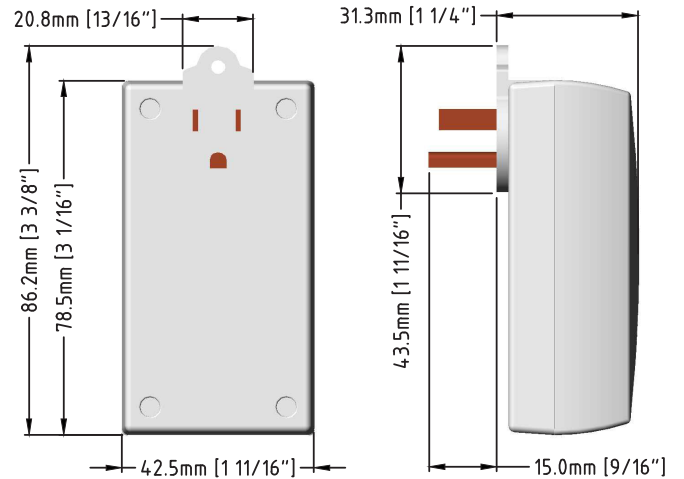
- Group control box designed for use with 110V AC 4-Wire BTX motorized window coverings (Classic, Tumo 4-wire, etc.)
- Box Dimensions: 18 in. x 18 in. x 4 in.

Somfy Telis 1 or 4 RTS Remote 490.20XX



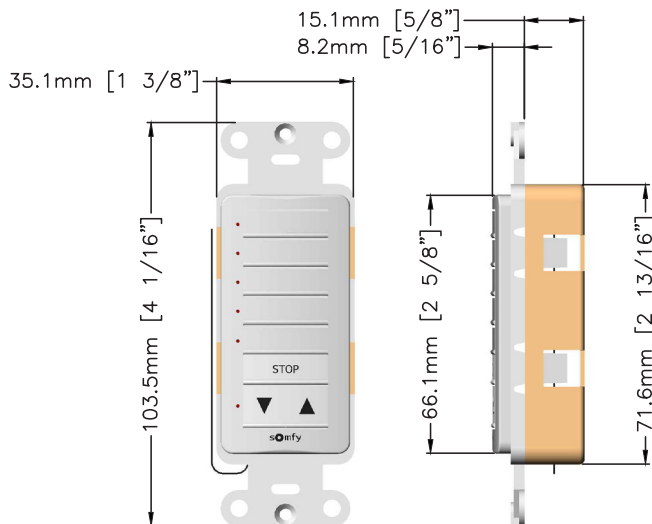
- Somfy RTS
- Single unit/group remote control
- Available in Pure, Silver, and Lounge

Somfy MyLink 424.9001



- Somfy RTS/WiFi
- Connects to any Somfy RTS shade through local WiFi network

Somfy 1 or 5-Ch DecoFlex WireFree RTS 480.15XX



- Somfy RTS
- Single unit/group remote control
- Available in White, Ivory, and Black

Somfy DecoFlex WireFree RTS with Switchplate



- Somfy RTS
- 5-unit/group remote control
- Available in White, Ivory, and Black



Warranty & Terms

1. Contract

All offers, quotes and sales by BTX Intelligent Fashion, LLC, BTX Window Automation, BTX Supply, Tumo, LLC, and BTX Holdings, LLC (collectively referred to herein as BTX), are subject to these Terms and Conditions of Sale. No other agreements have been made or will be valid unless expressly confirmed in writing by BTX.

2. ACCEPTANCE

BY TAKING DELIVERY OF BTX PRODUCTS, PURCHASER AGREES TO THE TERMS AND CONDITIONS STATED HEREIN, UNLESS OTHERWISE EXPRESSLY AGREED IN WRITING BY BTX. BTX HEREBY OBJECTS TO ANY DIFFERENT OR ADDITIONAL TERMS AND CONDITIONS WHICH MAY BE PROPOSED OR HAVE BEEN PROPOSED BY PURCHASER IN ANY PURCHASE ORDER FORMS OR OTHER DOCUMENTS. THE TERMS AND CONDITIONS STATED HEREIN SHALL PREVAIL OVER ANY DIFFERENT OR ADDITIONAL TERMS AND CONDITIONS PROPOSED BY PURCHASER AND SHALL APPLY TO THE SALE OR SHIPMENT OF ANY GOODS IN RESPONSE TO PURCHASER'S ORDER.

3. Prices and Delivery

All quoted prices are valid for a period of 60 days from the date of issue, unless otherwise agreed by BTX in writing. Prices on accepted orders remain firm for a period of four months from the date of order acceptance, provided final delivery occurs within that period. If delivery is to occur more than four months from the date of order acceptance, prices are subject to change in accordance with any changes in the published BTX Price List or Guide which occur after the date of order acceptance. All prices quoted are FOB Dallas, excluding all freight, packaging and taxes. All delivery dates are approximate.

4. Payment Terms

(a) Open account payment terms may be established from time to time at the sole discretion of BTX, and are subject to credit approval in writing. Terms on open accounts are payment in full, net 30 days from date of invoice. Payment terms for single transactions and transactions other than on open account are net C.O.D. or prepay unless confirmed otherwise in writing by BTX.

(b) Amounts past due are subject to a finance charge of 1.5% per month to the legal limit, and the finance charge will apply without further prior notice. In case of purchaser's delinquency in payment or insolvency, BTX retains the right to halt or interrupt all further deliveries and service to the purchaser until all past due amounts have been paid, and to require payment in advance for orders not yet delivered, without any liability resulting for BTX. Purchaser expressly agrees to indemnify BTX and hold BTX harmless from all charges and liability including for attorney's fees, which might arise in any manner from purchaser's nonpayment.

5. Inspection, Acceptance and Claims

It shall be the responsibility of the purchaser to inspect the goods and notify BTX in writing of any claims for defective goods, shortage or other problems relating to the goods within thirty days from date of shipment from the Dallas base of BTX. Failure to so notify BTX shall constitute waiver of such claims and acceptance of the goods by purchaser. Any claims for transport damage are the responsibility of the recipient and must therefore be filed with the carrier by the recipient.

6. Risk of Loss

Full risk of loss, damage or destruction of the goods shall pass to purchaser upon delivery of the goods to the carrier at the point of shipment or upon delivery at storage, whichever applies.

7. Force Majeure

If an order cannot be completed due to causes beyond BTX's control, BTX retains the right to either cancel the uncompleted portion of the order or complete the order if and when this becomes possible. Purchaser shall not have the right to withhold payment on delivered goods and/or services, nor to unilaterally change the order or cancel same. Force majeure includes but is not limited to strikes, lock-outs, storms, floods and the like, terrorism, wars, revolutions, major equipment failures or fire damage at production facilities, etc.

8. Warranty

BTX extends a five-year limited warranty for its motors and hardware accessories against defects in material and workmanship from date of shipment from BTX's Dallas base, and a three-year limited warranty on fabrics unless otherwise agreed by BTX in writing; however, pull chains and cords for roller shades are excluded. Controls, electric and electronic components, and solar panels carry a one-year warranty against defects in material and workmanship from date of shipment from the base of BTX in Dallas, Texas. BTX does not warrant cords and tapes for lift systems, nor customer's own materials, and BTX disclaims any written, oral or implied warranties for such materials. If any item to which a warranty applies proves to be defective during the specified warranty period under normal and proper use and provided the equipment or part has been properly stored, installed and maintained with due regard to any directives, instructions and operating procedures provided, BTX shall, upon presentation of proof of purchase, repair or replace the item at the sole option of BTX, F.O.B. Dallas. Application of the warranty will be determined by BTX technical staff after return of the item, its inspection and any necessary investigation. This warranty does not apply in case of defects resulting from faulty installation, misuse, misapplication, abuse, mishandling, shipping or failure to follow instructions, and any application which exceeds the BTX specifications for that product voids all warranties. This warranty does not cover any incidental, special or consequential damages, labor on location, service calls, reinstallation, or expenses involved in shipping, packing, and returning the goods. It also does not cover damages caused by fire, flood, or act of God. BTX warrants items repaired or replaced pursuant to the above warranty, under normal and proper use, storage, installation and maintenance, against defects in material and workmanship for a period of 30 days from date of start-up of such repaired or replaced item or the expiration of the original warranty, whichever is longer. Correction of non conformities in the manner and for the period of time specified herein shall be purchaser's exclusive remedy and shall constitute fulfillment of all liabilities of BTX, whether in warranty, contract, negligence, tort, or otherwise with respect to the item delivered. In no event shall BTX be responsible for providing access to the allegedly defective item or for disassembly or reinstallation of such item or parts.

9. DISCLAIMER

THE FOREGOING EXPRESS WARRANTIES ARE EXCLUSIVE AND IN LIEU OF ALL OTHER WARRANTIES, WRITTEN, ORAL OR IMPLIED. ALL OTHER WARRANTIES, INCLUDING ANY WARRANTY OF MERCHANTABILITY OR FITNESS FOR A PARTICULAR PURPOSE, ARE HEREBY DISCLAIMED. IN OTHER WORDS, THERE ARE NO WARRANTIES WHICH EXTEND BEYOND THE EXPRESS WARRANTIES STATED ABOVE.



Warranty & Terms

10. LIMITED LIABILITY

BTX'S LIABILITY FOR ANY AND ALL CLAIMS, CHARGES, EXPENSES, DAMAGES, LOSSES AND INJURIES ARISING OUT OF OR RELATING TO ITS PERFORMANCE OR BREACH OF ANY AGREEMENT OF SALE FOR GOODS AND/OR THE MANUFACTURE, SALE, DELIVERY, RESALE, REPAIR OR USE OF ANY GOODS SHALL NOT EXCEED THE PURCHASE PRICE OF SUCH GOODS, REGARDLESS WHETHER THE CLAIM IS BASED ON CONTRACT, TORT, NEGLIGENCE, STATUTE, STRICT LIABILITY, WILLFUL OR WANTON CONDUCT, WARRANTY (EXPRESS OR IMPLIED), OR OTHERWISE. THIS SHALL BE PURCHASER'S SOLE AND EXCLUSIVE REMEDY AGAINST BTX OTHER THAN THE REMEDY PROVIDED FOR UNDER THE EXPRESS BTX WARRANTIES. IN NO EVENT SHALL BTX BE LIABLE FOR INCIDENTAL, SPECIAL, CONSEQUENTIAL OR EXEMPLARY DAMAGES.

11. DISPUTE RESOLUTION AND WAIVER OF TRIAL BY JURY

BTX AND PURCHASER AGREE THAT ANY DISPUTES OR CLAIMS OF ANY NATURE WHATSOEVER ARISING OUT OF OR CONNECTED WITH THE TRANSACTION BETWEEN BTX AND PURCHASER, WHICH CLAIMS COULD OTHERWISE BE MADE IN COURT, SHALL FIRST BE MEDIATED BY A MEDIATOR IN DALLAS, TEXAS, UPON WHOSE IDENTITY THE PARTIES SHALL AGREE. ALL REASONABLE REQUESTS BY ONE PARTY TO THE OTHER FOR INFORMATION OR DOCUMENTS SHALL BE HONORED. THE PARTIES SHALL SHARE EQUALLY IN THE EXPENSE OF THE MEDIATION, BUT EACH PARTY SHALL BEAR THE EXPENSE OF ITS OWN ATTORNEYS. IF THE MEDIATION IS UNSUCCESSFUL, THE DISPUTES OR CLAIMS SHALL BE DECIDED IN A COURT IN A PROCEEDING IN DALLAS, TEXAS. NO MORE THAN SIX DEPOSITIONS SHALL BE TAKEN BY EACH PARTY, AND ALL DISCOVERY SHALL BE COMPLETED WITHIN SIX MONTHS OF FILING OF THE SUIT. MOREOVER, EACH OF THE PARTIES HEREBY KNOWINGLY AND VOLUNTARILY WAIVES ITS RESPECTIVE RIGHTS TO A TRIAL BY JURY.

12. CHOICE OF LAW AND VENUE

BTX AND PURCHASER AGREE THAT FOR ANY DISPUTE OR CLAIMS OF ANY NATURE WHATSOEVER ARISING OUT OF OR CONNECTED WITH THE TRANSACTION BETWEEN THEM, THE CONSTRUCTION AND EFFECT OF THESE TERMS AND CONDITIONS AND/OR ANY DETERMINATION OF THE RIGHTS AND DUTIES OF THE PARTIES, THE LAW OF THE STATE OF TEXAS, SHALL GOVERN, WITHOUT REGARD TO THE CONFLICT OF LAWS PRINCIPLES THEREOF. VENUE SHALL LIE EXCLUSIVELY IN DALLAS, TEXAS, AND EACH OF THE PARTIES AGREES TO SUBMIT TO THE PERSONAL JURISDICTION OF THE COURTS LOCATED THERE.

13. Statute of Limitations

Any action against BTX shall be commenced within one year after the cause of action has arisen.

14. Returns

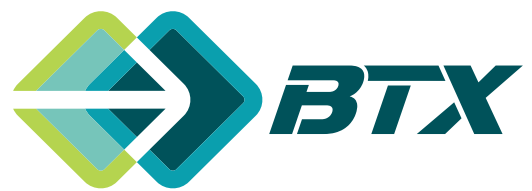
No goods may be returned without the express written approval of BTX and the receipt of an BTX RGA identification number. Goods approved for return must be returned in original packaging, freight prepaid, clearly marked with the BTX RGA identification number and be accompanied by a copy of the original invoice. Application of the warranty will be determined by BTX technical staff after return of the item, its inspection, and any necessary investigation. A restocking charge of 25% of invoice value will apply on all items accepted for return.

15. Liens and Security Interest

Purchaser will not permit to be created or to remain undischarged any lien, encumbrance or charge upon the goods supplied by BTX until BTX has received payment in full for such goods. If any liens, encumbrances or charges shall be filed against BTX goods prior to payment in full, purchaser shall discharge the liens, encumbrances or charges within ten days and reimburse BTX for expenses incurred in defending its security interest. Title to the goods shall remain with BTX until payment in full has been received, and BTX shall have the rights of a secured party under the Uniform Commercial Code, where applicable. In the event of a default in payment, BTX may repossess and sell the goods at public or private sale at which BTX may be the buyer. The proceeds of any such sale, less all expenses, shall be credited on the account payable and purchaser shall pay the remaining balance on demand.

16. This document contains the entire agreement between the parties, and the contents of this document supersede any inconsistent or additional promises made by any employee, representative, agent or dealer of BTX. No waiver or modification of the foregoing Terms and Conditions of Sale shall be valid unless agreed to in writing by both BTX and purchaser.

17. The parties further agree that if any part of this agreement is found invalid, illegal or unenforceable in any respect, then such invalidity, illegality or unenforceability shall not affect any other provisions, and this document shall be construed as if it had never contained such invalid, illegal or unenforceable provisions.



BTX Window Automation
2517 Manana Dr., Dallas, TX 75220
(800) 422-8839 - www.btxinc.com - btwindow@btxinc.com