

ORION

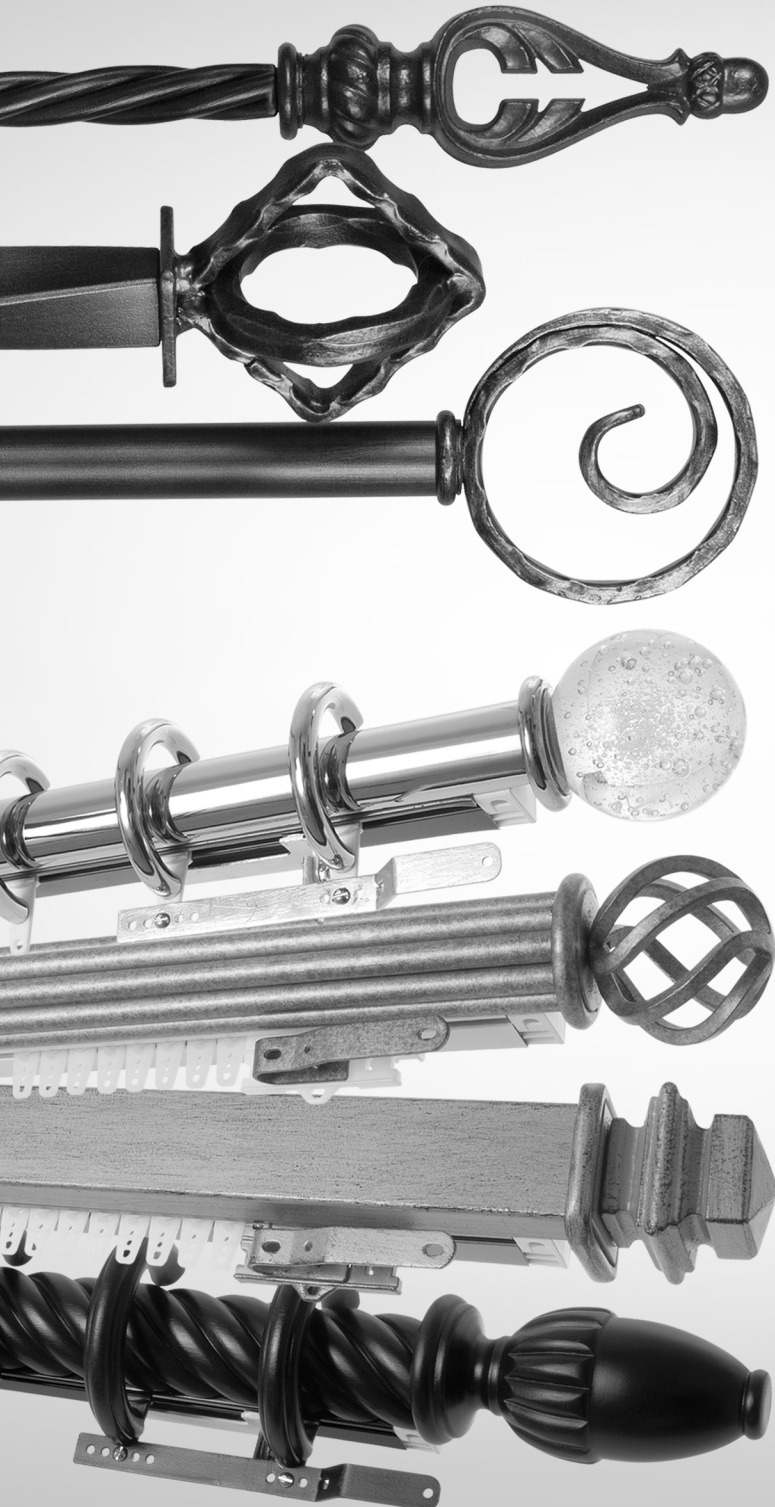
ORNAMENTAL IRON, INC.

Iron Art™
by ORION

Wood Art™
by ORION

RETAIL PRICE LIST & ORDERING INFORMATION

Effective March 15, 2024



DRAPERY HARDWARE: DESIGN LUXURY, VALUE, BEAUTY.

| PRODUCT CATEGORIES AND MATERIALS: | CATALOG PAGE | PRICE LIST PAGE | INFORMATION AND APPLICATIONS: |
|-----------------------------------|--------------|-----------------|-------------------------------|
|-----------------------------------|--------------|-----------------|-------------------------------|

Contemporary Finials with Rods

| | | | |
|---------|----|----|---|
| Italian | 58 | 70 | Modern styles in Polished Chrome, Brushed Nickel, Black Nickel, Oiled Bronze, Satin Copper, Satin Gold, Polished Nickel, Black Chrome, Polished Brass, Satin Brass, Antique Brass, Polished Rose Gold, and Satin Rose Gold metallic finishes. |
|---------|----|----|---|

Crystal Finials with Iron Rods

| | | | |
|---------|----|----|---|
| Bohemia | 62 | 72 | Hand crafted faceted crystal-glass on iron. |
|---------|----|----|---|

Crystal Finials with Wood Poles

| | | | |
|---------|----|----|---|
| Bohemia | 68 | 73 | Hand crafted faceted crystal-glass on wood. |
|---------|----|----|---|

Faux Bamboo Finials with Faux Bamboo Rods

| | | | |
|------------|----|----|--|
| Tropical** | 32 | 32 | Iron rods, finials, etc. with look of faux bamboo in island paradise finishes. |
|------------|----|----|--|

Glass Finials with Iron/Italian Rods

| | | | |
|-------------|----|----|---------------|
| Eclectic*** | 18 | - | Discontinued. |
| Provence*** | 18 | 14 | Discontinued. |

Iron Finials with Iron Rods

| | | | |
|---------------|----|----|--|
| Iron Art | 10 | 10 | More than 100 finials of all styles and sizes. |
| Village Forge | 17 | 13 | Hand forged iron finials. |

Resin Finials with Wood Poles

| | | | |
|-------------|----|----|--|
| Design Art* | | | Elegant, custom hand-painted to order. |
| Rosina** | 76 | 80 | Finials for wood poles: 1 ³ / ₈ ", 2", 2 ¹ / ₄ " & 3" diameters. |

Wood Finials with Wood Poles

| | | | |
|---------------|----|----|--|
| New York Wood | 78 | 81 | Transitional style finials for any decor. |
| Wood Craft** | 74 | 77 | Exotic hand carved finials, swag holders, etc. |

WINDOW TREATMENT PRODUCTS:

SPECIAL APPLICATIONS:

Cornices

| | | | |
|-------------|----|----|--|
| Renaissance | 37 | 37 | Cornice designs in lightweight aluminum. |
| Tuscany | 38 | 38 | Decorative iron cornices. |

Crowns and Scrolls

| | | | |
|------------------------|----|----|--|
| Mediterranean - Crowns | 36 | 36 | Decorative accents for arched or irregular shaped windows, over doors, beds, or artwork, or with scarves or swags. |
| Vienna - Iron Scrolls | 36 | 37 | |

Roman Shades on Drapery Hardware

| | | | |
|----------|----|----|---------------------------------------|
| Milano** | 25 | 29 | Decorative hardware for Roman shades. |
|----------|----|----|---------------------------------------|

Swing Arms

| | | | |
|--|----|----|---|
| | 21 | 24 | For French doors, or other places where drapes need to swing back from opening. |
|--|----|----|---|

QUICK SHIP PROGRAM

Xpress YourWay - Our best selling Iron Art™, Bohemia and Italian Collection finials and rods, in an assortment of great finishes; your choice of next day or three business day shipping. See pages 8-9 for pricing.

CUSTOM PRODUCTS & CUSTOM FABRICATIONS

Our specialty and our pleasure! Please call for quotes. We're happy to be of service to meet your drapery hardware needs and help you solve those difficult problems!

| ROD SYSTEMS: | CATALOG PAGE | PRICE LIST PAGE | SPECIAL APPLICATIONS: |
|--|---------------------|------------------------|---|
| Bendable Rods | | | |
| Burgundy | 34 | 33 | For: <ul style="list-style-type: none"> • Curved Applications • Bay Windows • Special Corners • Arched Windows • Windows with Unusual Shapes |
| Iron Art | 19 | 16 | |
| Italian | 58 | 70 | |
| Tropical | 32 | 32 | |
| Bypass System | | | |
| Unique | 24/61 | 28/71 | Hand drawn system over support brackets. |
| Expandable Sets | | | |
| Oasis | 24 | 28 | Expandable rod, finial, bracket sets in iron from small to extra large (27"-154"). |
| Faux Bamboo | | | |
| Tropical | 32 | 32 | Bendable iron rods, finials, etc. covered with faux bamboo for an "island" look. |
| Front Facing Finials | | | |
| 3D Drapery Hardware | 26 | 30 | Finials are in front of the rod and can be manually adjusted to be above or below it. |
| 3D Drapery Panels | 30 | 31 | Add stationary panels to 3D Drapery Hardware. |
| Hand Crafted Decorative Rods | | | |
| Burgundy | 34 | 33 | Rods incorporating vines, leaves, birds & decorative accents - Hand crafted. |
| Metal Plated Iron (Metallic Finishes) | | | |
| Italian | 58 | 70 | Sleek, modern designs in metallic finishes. |
| Traversing (Manual/Motorization) | | | |
| Deco Lite Traversing | 50 | 57 | Full technical support from Orion - and it's easy to specify and easy to install. Available with radio frequency or infrared controls. Answer a few simple questions and you are ready for the latest in home automation. |
| Designers' Choice Traversing Rods | 44 | 46 | |
| Design Art* | | | |
| Tuscany Cornices | 38 | 38 | |
| Tuscany Traversing | 46 | 54 | |
| Traversing with Somfy | 52 | 60 | |
| Thin Line Drapery Hardware | | | |
| Fina | 25 | 29 | For short, narrow spaces such as French doors, small windows, etc; café rod styles. |
| Traversing and Cord Drawn | | | |
| Deco Lite Traversing | 50 | 57 | Heavy duty traverse systems to meet all your design needs. Iron and wood fascia designs, rings, and motorization available. |
| Designers' Choice Traversing Rods | 44 | 46 | |
| Design Art* | | | |
| Tuscany Cornices | 38 | 38 | |
| Tuscany Traversing | 46 | 54 | |

Outdoor Hardware Available. Add 40% net upcharge. Please call for an estimate.

GENERAL ORDERING INFORMATION

1. We splice any iron rod or wood pole over 106" and any traversing rod over 102" to save on shipping charges using FedEx/UPS. Rods, poles or traversing not specified as one piece in the order will be spliced in the center, unless a splice location is otherwise noted. Anything over these lengths is shipped by truck, and final shipping charges are given when the order is shipped. Please note residential truck deliveries are restricted to 24' (288"). Packed boxes cannot exceed 108" in length. Additional Freight Surcharge, See page 86.
2. Wood poles are priced as per minimum section (4', 6', 8' & 12'). For example a 4' 8" pole will be charged at 6'.
3. Items priced per foot are rounded up or down at six inches; i.e., up to 5⁷/₈" is rounded down to the nearest foot, 6" and above are rounded up to the nearest foot.
4. Any wood or iron ring (except "C" Ring Product #330C) or bracket may be utilized interchangeably with iron rods or wood poles.
5. All wood and resin finials are attached to wood poles using a screw-in fitting, which is included.



Iron

| | |
|--|----|
| 3D Drapery Hardware (Finials in Front of Rod) | 30 |
| 3D Drapery Panels (Finials and Stationary Panels in Front of Rod) | 31 |
| Accessories | 15 |
| Batons | 27 |
| Brackets | 18 |
| Bracket Guide | 20 |
| Burgundy Collection (Hand Crafted Decorative Rods) | 33 |
| Cornices, Decorative Scroll Work, and Valances | |
| Mediterranean Collection (Lightweight Decorative Crowns) | 36 |
| Renaissance Collection (Lightweight Decorative Cornices) | 37 |
| Tuscany Collection (Lightweight Decorative Metal Cornices) | 38 |
| Vienna Collection (Decorative Scrolls) | 37 |
| Decorative Brackets | 19 |
| Fina Collection (Thin Line Drapery Hardware) | 29 |
| Finials | |
| Bohemia Collection (Decorative Hand Crafted Faceted Crystal-Glass Finials) | 72 |
| Eclectic Collection (Discontinued) | 14 |
| Finials (Iron) | 10 |
| Italian Collection (Metal Plated Iron Drapery Hardware) | 70 |
| Provence Collection (Decorative Hand Blown Art Glass Finials, Available While Supplies Last) | 14 |
| Village Forge Collection (Hand Crafted Iron Finials) | 13 |
| Iron Art™ Finishes | 6 |
| Design Art™ Finishes Cross Reference | 7 |
| Italian Collection (Metal Plated Iron Drapery Hardware) | 70 |
| Italian Collection Finishes | 6 |
| Milano Collection (Roman Shades on Drapery Hardware, Available While Supplies Last) | 29 |
| Oasis Collection (Expandable Sets) | 28 |
| Rings | 22 |
| Rods | 16 |
| Swing Arms | 24 |
| Tiebacks/Swag Holders | 26 |
| Tropical Collection (Faux Bamboo on Iron, Available While Supplies Last) | 32 |
| Unique Collection (Bypass System with "C" Rings) | 28 |
| Xpress Yourway (Orion's Quickship Program) | 8 |

Manual and Motorized Traversing

| | |
|--|----|
| Common Measurements / Pinch Pleat & RippleFold Guides | 44 |
| Deco Lite Traversing (Lightweight Embossed Metal Panels) | 57 |
| Deco Lite Traversing: Bracket Guide | 59 |
| Designers' Choice Traversing Rods (Iron & Wood Traversing Rods with Heavy Duty Hardware) | 46 |
| Installation Guides | 40 |
| Manual Traversing: Bracket Guide | 52 |
| Motorized Traversing: Bracket Guide | 66 |
| Motorized Traversing: Accessories | 65 |
| Traversing with Somfy Motorization | 60 |
| Tuscany Traversing Collection (Lightweight Embossed Metal Rods and Heavy Duty Hardware) | 54 |
| Iron Art and Wood Art Traversing Track Finishing Guide | 42 |
| Additional Master Carriers Sets | 51 |
| Tuscany and Deco Lite Traversing Fascia Designs | 56 |
| Order Forms | 87 |
| Promotional Items/Designer Product Case | 82 |
| Measurement Guidelines | 93 |
| FedEx/UPS Freight Charges, Summary of Charges and Upcharges | 86 |
| Terms of Sale | 84 |

Wood Art[™] by **ORION**

Wood and Resin

| | |
|--|-----------|
| Accessories | 79 |
| Batons | 80 |
| Brackets | 79 |
| Finials | |
| Bohemia Collection on Wood (Decorative Hand Crafted Faceted Crystal-Glass Finials) | 73 |
| New York Wood Collection (Exclusive Hand-Painted Wood Finials) | 81 |
| Rosina Collection (Decorative Resin Finials, Available While Supplies Last) | 80 |
| Wood Craft Collection (Hand-Carved Finials, Available While Supplies Last) | 77 |
| Poles | 77 |
| Rings | 79 |
| Tiebacks/Swag Holders | 80 |
| Wood Art [™] Finishes | 6 |

Manual and Motorized Traversing

| | |
|---|-----------|
| Common Measurements / Pinch Pleat & RippleFold Guides | 44 |
| Designers' Choice Traversing Poles (Wood Traversing Poles with Heavy Duty Hardware) | 74 |
| Installation Guides | 40 |
| Manual Traversing: Accessories | 75 |
| Manual Traversing: Bracket Guide | 52 |
| Motorized Traversing: Bracket Guide | 66 |
| Motorized Traversing: Accessories | 65 |
| Traversing with Somfy Motorization | 60 |

| | |
|---|-----------|
| Order Forms | 87 |
| Promotional Items/Designer Product Case | 82 |
| Measurement Guidelines | 93 |
| Summary of Charges and Upcharges | 86 |
| FedEx/UPS Freight Charges | 86 |
| Terms of Sale | 84 |

Finishes: Ordering Information

1. Finishes are included in the product price. Please see catalog and price list for finish groups.
2. Please note that the finishes presented in catalog are lithographic reproductions of the actual finishes, and as such, may not accurately reflect the true depth and tone of our finishes. Please refer to the actual finish samples (Selector Set) before ordering.
3. Design and crackle will vary in Crackle Finish.
4. We can match most custom finishes, with a one-time strike-off charge of \$65.00 (net) per sample. All custom finishes need prior approval before production. For the order, please refer to the product price in the Custom Finish Group.
5. Iron Art™ and Wood Art™ finishes are also available as Semi or High Gloss. Please add a 20% upcharge.

Iron Art™ Finishes (Groups A, B, C, D): Pages 80 & 81 of Catalog

| Grp | Finish Code | Finish Name | Sheen | Grp | Finish Code | Finish Name | Sheen | Grp | Finish Code | Finish Name | Sheen |
|-----|-------------|----------------|-------|-----|-------------|--------------------------|-------|-----|-------------|-----------------|-------|
| A | 09 | Light Brown | Satin | B | 15 | Bronze Vecchio | Satin | C | 25 | Burnt Gold | Satin |
| A | 14 | Black | Satin | B | 17 | Burnt Silver | Satin | C | 26 | Bronze Patina | Satin |
| A | 19 | Brown | Satin | B | 20 | Antique White | Satin | C | 27 | Cherry Gold | Satin |
| B | 01 | Old Black | Satin | B | 32 | Ivory | Satin | C | 28 | Vecchio Patina | Satin |
| B | 02 | Antique Bronze | Satin | B | 33 | Pure White | Satin | C | 29 | Golden Oak | Satin |
| B | 03 | Naturelle | Satin | B | 34 | Oil Rubbed Bronze | Satin | D | 05 | Autumn | Satin |
| B | 04 | Rusty | Satin | B | 35 | Metal Ore | Satin | D | 08 | Imposter | Satin |
| B | 06 | Antique Gold | Satin | B | 36 | Modern Gold - <i>NEW</i> | Satin | D | 21 | Crackle | Satin |
| B | 07 | Rich Gold | Satin | C | 11 | Versace | Satin | D | 22 | Antique Crackle | Satin |
| B | 10 | Antique Copper | Satin | C | 16 | Gold Antique White | Satin | D | 23 | Mocha Mix | Satin |
| B | 12 | New Nickel | Satin | C | 18 | Renaissance Silver | Satin | D | 30 | Warm Cherry | Satin |
| B | 13 | Soft Pewter | Satin | C | 24 | Sage Gold | Satin | D | 31 | Sugar Maple | Satin |

Wood Art™ Finishes (Groups E, F): Page 82 of Catalog

| Group | Finish Code | Finish Name | Sheen | Group | Finish Code | Finish Name | Sheen |
|-------|-------------|--------------|-------|-------|-------------|---------------------|-------|
| E | WC 101 | Light Cherry | Satin | F | WC 107 | White Distress | Satin |
| E | WC 102 | Natural | Satin | F | WC 108 | Aged Pewter | Satin |
| E | WC 103 | Mahogany | Satin | F | WC 109 | Imitation Gold Leaf | Satin |
| E | WC 104 | White Wash | Satin | F | WC 110 | Golden Teak | Satin |
| E | WC 105 | Dusk Black | Satin | F | WC 111 | Sun Oak | Satin |
| E | WC 106 | Walnut | Satin | | | | |

Italian Finishes (Groups I, J, K, L): Page 60 of Catalog

| Group | Finish Code | Finish Name | Group | Finish Code | Finish Name |
|-------|-------------|-----------------|-------|-------------|--------------------|
| I | IT 201 | Brushed Nickel | L | IT 208 | Black Chrome |
| J | IT 206 | Polished Chrome | L | IT 209 | Polished Brass |
| J | IT 207 | Polished Nickel | L | IT 210 | Satin Brass |
| K | IT 202 | Black Nickel | L | IT 211 | Antique Brass |
| K | IT 203 | Oiled Bronze | L | IT 212 | Polished Rose Gold |
| K | IT 204 | Satin Copper | L | IT 213 | Satin Rose Gold |
| K | IT 205 | Satin Gold | | | |

PRICING FOR IRON ART PRODUCTS IN DESIGN ART FINISHES



By popular request, we've made it easier to order Iron Art products in Design Art finishes. Our Design Art collection features elegant Décor finishes in two price groups; A or B (and includes more options for gold tones that many of you have been looking for).

- 14 Design Art Décor Finishes - Group A will be priced as Iron Art Group B
- 22 Design Art Décor Finishes - Group B will be priced as Iron Art Group D

Please add finish name and code on orders. We hope you enjoy this expanded color palette!

Group A Décor Finishes = Group B Iron Art Charges

| Grp | Finish Code | Finish Name | Grp | Finish Code | Finish Name | Grp | Finish Code | Finish Name |
|-----|-------------|----------------|-----|-------------|-----------------|-----|-------------|-----------------|
| A | DP909A | Bronze Pewter | A | DP924A | Frosty Morn | A | DP949A | Steel |
| A | DP912A | Cast Iron | A | DP929A | Hammered Silver | A | DP950A | Superior Bronze |
| A | DP918A | Copper Glimmer | A | DP955A | Old Rust | A | DP951A | Urbane Bronze |
| A | DP961A | Copper Penny | A | DP942A | Royal Red | A | DP954A | White Dove |
| A | DP922A | English Bronze | A | DP947A | Silver Shimmer | | | |

Group B Décor Finishes = Group D Iron Art Charges

| Grp | Finish Code | Finish Name | Grp | Finish Code | Finish Name | Grp | Finish Code | Finish Name |
|-----|-------------|---------------|-----|-------------|-----------------|-----|-------------|-------------------|
| B | DP956B | Aged Brass | B | DP921B | Ebony | B | DP939B | Precious Metals |
| B | DP905B | Aged Chestnut | B | DP923B | French Nobility | B | DP940B | Queensland Walnut |
| B | DP908B | Black Embers | B | DP930B | Hickory | B | DP946B | Sage |
| B | DP948B | Champagne | B | DP931B | Italian Gold | B | DP952B | Vintage Gold |
| B | DP916B | Chateau | B | DP932B | Italian Walnut | B | DP953B | Weathered Iron |
| B | DP917B | Cherrywood | B | DP943B | Mahogany | B | DP957B | Zinc |
| B | DP911B | Clouds | B | DP960B | Monarch | | | |
| B | DP920B | Creamy | B | DP962B | Paris Rain | | | |

Xpress Yourway: Ordering Information

1. All orders received by 12:00 noon Pacific time will be considered received as same day.
2. Finials are interior fit only.
3. Modifications from specifications offered will NOT qualify for the Xpress Yourway program.
4. Cancellation of orders will result in a 40% restocking fee.
5. Please utilize the Xpress Yourway order form or mark orders as Xpress Yourway.
Orders without an Xpress Yourway indication will be processed with standard shipping times.
6. Xpress Yourway Wall Display Available. Please see item #8002 on page 82.

Xpress Yourway: Pages 6-7 of Catalog

Express It! Finishes
Ship in 1 Day

Quicken It! Finishes
Ship in 3 Days

| Round Hollow Rods | | | Unit | Grp A Price | Grp B Price | Price |
|--|----------------|------------|------|-------------|-------------|-------|
| RODHOLLOW-100 | 1" Diameter | | FOOT | 18 | 25 | 25 |
| RODHOLLOW-112 | 1½" Diameter | | FOOT | 26 | 31 | 31 |
| Finials | Length | Height | Unit | Grp A Price | Grp B Price | Price |
| 420 | 1¾" | 2" | EACH | 34 | 44 | 44 |
| 505 | 2¾" | 1½" | EACH | 33 | 42 | 42 |
| 513 | 1" | 2¼" | EACH | 39 | 50 | 50 |
| 906S | 3½" | 3" | EACH | 48 | 62 | 62 |
| 946 SM 2" | 2" | 2" | EACH | 37 | 47 | 47 |
| 947L | 2½" | 2½" | EACH | 48 | 60 | 60 |
| 950 | 5¼" | 2½" | EACH | 53 | 69 | 69 |
| 966 | 3½" | 2¼" | EACH | 41 | 53 | 53 |
| End Caps, Sockets & Connectors | Length | Height | Unit | Grp A Price | Grp B Price | Price |
| 301 End Cap (1" / 1½" Rods) | ⅛" | 1¾" / 2" | EACH | 17 | 21 | 21 |
| 302 and 303 Rod Socket (1" / 1½" Rods) | 1" / 1⅛" | 1½" / 2" | PAIR | 34 | 42 | 42 |
| 306-100 - 1" Rod Socket | 1⅛" | 1⅝" | EACH | 38 | 44 | 44 |
| 306-112 - 1½" Rod Socket | 1⅛" | 1⅜" | EACH | 47 | 54 | 54 |
| 321 - End Cap (1" / 1½" Rods) | 5/16" / 3/8" | 1¼" / 2" | EACH | 17 | 21 | 21 |
| 300 - Connector (1" / 1½" Rods) | 8" | 7/8" / 1⅜" | EACH | 26 | 26 | 26 |
| 315 - Moveable Elbow (1" / 1½" Rods) | 27/8" / 4¼" | 7/8" / 1⅜" | EACH | 49 | 63 | 63 |
| Brackets | Width | Height | Unit | Grp A Price | Grp B Price | Price |
| 1028-RND 3" P | 1" | 3¼" | EACH | 27 | 33 | 33 |
| 1028HP-RND 3" P | 3" | 1" | EACH | 24 | 31 | 31 |
| 1028-RND 6" P | 1" | 3¼" | EACH | 35 | 46 | 46 |
| 1028HP-RND 6" P | 3" | 1" | EACH | 39 | 49 | 49 |
| 1024DBWS-RND 3" & 6" P | 1" | 4" | EACH | 50 | 64 | 64 |
| 1040-RND 3" P | 1" | 3¼" | EACH | 28 | 34 | 34 |
| 1040HP-RND 3" P | 3" | 1" | EACH | 24 | 31 | 31 |
| 1040-RND 6" P | 1" | 3¼" | EACH | 35 | 46 | 46 |
| 1040HP-RND 6" P | 3" | 1" | EACH | 35 | 46 | 46 |
| 1040DBWS-RND 3" & 6" P | 1" | 4" | EACH | 42 | 53 | 53 |
| Rings | Inner Diameter | | Unit | Grp A Price | Grp B Price | Price |
| 350 RND for 1" Rod | 1½" | | EACH | 6.5 | 7.5 | 7.5 |
| 350 RND for 1½" Rod | 2" | | EACH | 6.5 | 7.5 | 7.5 |

Express It! Finishes: Black (A), Brown (A), Light Brown (A) & New Nickel (B). **Quicken It! Finishes:** Antique Bronze, Antique Gold, Soft Pewter & Pure White.

| Xpress Yourway: Pages 6-7 of Catalog (cont.) | | | Express It! Finishes Ship in 1 Day | | Quicken It! Finishes Ship in 3 Days | | |
|--|--|-----------|---------------------------------------|-------------|--|-------------|-------|
| Post Projection Tiebacks | | Diameter | Unit | Grp A Price | Grp B Price | Price | |
| 1059 - Expandable 3"- 4½" P | | 3" | EACH | 38 | 47 | 47 | |
| 1073 - Expandable 3"- 4½" P | | 3½" | EACH | 41 | 50 | 50 | |
| 1078 - Expandable 3"- 4½" P | | 3¾" x 3¾" | EACH | 48 | 63 | 63 | |
| Baton with Clip | | Length | Diameter | Unit | Grp A Price | Grp B Price | Price |
| 1016 | | 48" | ½" | EACH | 58 | 76 | 76 |

Express It! Finishes: Black (A), Brown (A), Light Brown (A) & New Nickel (B). Quicken It! Finishes: Antique Bronze, Antique Gold, Soft Pewter & Pure White.

| Xpress Yourway: Page 8 of Catalog - Bohemia Crystal | | | | | | Available for Express It! and Quicken It! finishes in Iron Art™ or Italian. | | | | | |
|---|--------|--------|-------------|------|-------|---|--------|--------|-------------|------|-------|
| Finial # | Length | Height | Base Height | Unit | Price | Finial # | Length | Height | Base Height | Unit | Price |
| 772 | 2¾" | 2¾" | 1¾" | EACH | 101 | 782 | 2⅞" | 2¾" | 1⅝" | EACH | 103 |
| 774 | 2" | 2¾" | 1½" | EACH | 91 | 787 | 3½" | 2" | 2" | EACH | 99 |
| 775 | 2¾" | 2½" | 1½" | EACH | 113 | 788 | 3½" | 2" | 2" | EACH | 99 |
| 778 | 1¼" | 2¾" | 1½" | EACH | 86 | 790 | ¾" | 2" | 2" | EACH | 77 |
| 781 | 2⅛" | 2¾" | 1⅝" | EACH | 81 | | | | | | |

Italian Line

1" round rod, three finials, and four finishes.

| Xpress Yourway: Page 9 of Catalog | | | | Express It! Finishes Ship in 1 Day | | | | |
|-----------------------------------|--|----------------|-------------|---------------------------------------|-----------------|-----------------|------------|-------|
| | | | | Brushed Nickel | Polished Chrome | Polished Nickel | Satin Gold | |
| Round Hollow Rods | | | Unit | Price | Price | Price | Price | |
| 7020 | | | 1" Diameter | FOOT | 39 | 47 | 47 | 51 |
| Finials | | Length | Height | Unit | Price | Price | Price | Price |
| 7003 | | 2" | 2" | EACH | 74 | 88 | 88 | 95 |
| 7005 | | 2" | 1⅞" | EACH | 62 | 74 | 74 | 80 |
| 7006 | | 2" | 1" | EACH | 65 | 77 | 77 | 84 |
| End Caps & Connectors | | Length | Height | Unit | Price | Price | Price | Price |
| 7016 - Metal End Cap | | 1" | 1¾" | EACH | 23 | 26 | 26 | 29 |
| 300 - Connector | | 8" | ⅞" | EACH | 26 | 26 | 26 | 26 |
| Brackets | | Width | Height | Unit | Price | Price | Price | Price |
| 7014 3" P | | 1" | 3¼" | EACH | 58 | 69 | 69 | 76 |
| 7014HP 3" P | | 3" | 1" | EACH | 58 | 69 | 69 | 76 |
| 7015 6" P | | 1" | 3¼" | EACH | 63 | 75 | 75 | 81 |
| 7015HP 6" P | | 3" | 1" | EACH | 63 | 75 | 75 | 81 |
| 7040 3" & 6" P | | 1" | 4" | EACH | 87 | 105 | 105 | 113 |
| Rings | | Inner Diameter | | Unit | Price | Price | Price | Price |
| 7013 | | 1½" | | EACH | 13 | 15 | 15 | 17 |
| Baton with Clip | | Length | Diameter | Unit | Price | Price | Price | Price |
| 1014 | | 48" | ½" | EACH | 98 | 119 | 119 | 129 |

Express It! Finishes: Brushed Nickel, Polished Chrome, Polished Nickel and Satin Gold

Finials: Ordering Information

1. All finials will have interior fit unless specified otherwise (exterior fit).
2. Finials are also available as screw-in to fit wood poles.
3. Please specify left or right orientation of finial as applicable.
 - a. If ordered in pairs (quantity of 2, 4, 6, etc.), finials will be supplied as one left and one right unless otherwise noted on order.
4. If ordering finials to fit rods other than Orion's, please provide the rod diameter and gauge.

Finials: Pages 12 & 13 of Catalog

| Product # | Unit | Iron Art Finishes | | | | Custom Finish | Additional Information |
|-----------|------|-------------------|-----|-----|-----|---------------|---------------------------------------|
| | | A | B | C | D | | |
| 400 | EACH | 59 | 75 | 83 | 88 | 103 | Hand Forged |
| 401 | EACH | 77 | 100 | 110 | 117 | 137 | Hand Forged |
| 402 | EACH | 59 | 75 | 83 | 88 | 103 | Hand Forged |
| 403 | EACH | 53 | 69 | 74 | 78 | 93 | Hand Forged |
| 404 | EACH | 53 | 69 | 74 | 78 | 93 | Hand Forged |
| 405 | EACH | 41 | 53 | 59 | 63 | 73 | |
| 406 | EACH | 42 | 54 | 60 | 64 | 75 | |
| 407 | EACH | 45 | 57 | 63 | 68 | 77 | |
| 408 | EACH | 47 | 57 | 64 | 69 | 78 | Hand Forged / Specify Left or Right |
| 409 | EACH | 47 | 57 | 64 | 69 | 78 | Specify Left or Right |
| 410 | EACH | 52 | 67 | 73 | 77 | 91 | Specify Left or Right |
| 411 | EACH | 72 | 92 | 100 | 108 | 125 | |
| 412 | EACH | 77 | 99 | 109 | 117 | 136 | Hand Forged / For Rods 1/4" Dia. & Up |
| 413 | EACH | 59 | 75 | 83 | 89 | 104 | Hand Forged |
| 414 | EACH | 60 | 76 | 85 | 90 | 105 | |
| 415 | EACH | 47 | 59 | 64 | 69 | 80 | |
| 416 | EACH | 66 | 83 | 91 | 98 | 113 | Specify Left or Right |
| 417 | EACH | 33 | 42 | 47 | 50 | 57 | |
| 418 | EACH | 51 | 64 | 71 | 75 | 88 | Specify Left or Right |
| 419 | EACH | 92 | 118 | 130 | 139 | 162 | Specify Left or Right |
| 420 | EACH | 34 | 44 | 49 | 52 | 60 | |
| 421 | EACH | 33 | 42 | 48 | 51 | 59 | |
| 422 | EACH | 39 | 50 | 54 | 59 | 69 | Only Available as Shown in Catalog |
| 501 | EACH | 104 | 133 | 145 | 155 | 181 | |
| 502 | EACH | 85 | 108 | 117 | 125 | 146 | |
| 503 | EACH | 51 | 64 | 71 | 75 | 88 | |
| 505 | EACH | 33 | 42 | 48 | 51 | 59 | |
| 506 | EACH | 94 | 120 | 133 | 142 | 165 | Specify Left or Right |
| 507 | EACH | 68 | 87 | 93 | 100 | 117 | Specify Left or Right |
| 508 | EACH | 68 | 87 | 93 | 100 | 117 | |
| 509 | EACH | 77 | 99 | 109 | 117 | 137 | |

Finials: Pages 12 & 13 of Catalog (continued)

| Product # | Unit | Iron Art Finishes | | | | Custom Finish | Additional Information |
|-----------|------|-------------------|-----|-----|-----|---------------|------------------------|
| | | A | B | C | D | | |
| 510 | EACH | 92 | 118 | 128 | 138 | 162 | |
| 511 | EACH | 29 | 36 | 39 | 42 | 50 | |
| 512 | EACH | 45 | 56 | 63 | 68 | 77 | |
| 513 | EACH | 39 | 50 | 54 | 57 | 69 | |

New Finials: Pages 10 & 11 of Catalog

| | | | | | | | |
|-----|------|----|-----|-----|-----|-----|--|
| 551 | EACH | 62 | 74 | 87 | 99 | 122 | |
| 552 | EACH | 74 | 87 | 99 | 111 | 135 | |
| 553 | EACH | 89 | 100 | 113 | 125 | 150 | |
| 554 | EACH | 78 | 91 | 103 | 116 | 141 | |
| 555 | EACH | 90 | 101 | 115 | 126 | 151 | |
| 556 | EACH | 63 | 75 | 88 | 99 | 124 | |
| 557 | EACH | 67 | 77 | 91 | 103 | 127 | |
| 558 | EACH | 44 | 55 | 68 | 80 | 104 | |
| 559 | EACH | 44 | 55 | 68 | 80 | 104 | |

Finials: Pages 13 & 14 of Catalog (continued)

| | | | | | | | |
|--------|------|----|-----|-----|-----|-----|-------------------------------------|
| 707 | EACH | 64 | 83 | 90 | 97 | 112 | Hand Forged / Specify Left or Right |
| 711 | EACH | 85 | 108 | 117 | 125 | 146 | Specify Left or Right |
| 900 SM | EACH | 62 | 78 | 87 | 92 | 108 | Hand Forged / Specify Left or Right |
| 900 MD | EACH | 64 | 81 | 89 | 94 | 111 | Hand Forged / Specify Left or Right |
| 901 | EACH | 41 | 53 | 59 | 63 | 73 | |
| 902 | EACH | 41 | 53 | 59 | 63 | 73 | |
| 903 | EACH | 41 | 53 | 59 | 63 | 73 | |
| 904 SM | EACH | 45 | 57 | 63 | 68 | 77 | |
| 904 LG | EACH | 77 | 99 | 109 | 117 | 137 | |
| 905 | EACH | 39 | 51 | 55 | 59 | 69 | |
| 906 SM | EACH | 48 | 62 | 68 | 72 | 85 | |
| 906 LG | EACH | 67 | 86 | 93 | 100 | 117 | |
| 907 | EACH | 36 | 47 | 51 | 54 | 63 | Hand Forged |
| 908 | EACH | 36 | 47 | 51 | 54 | 63 | Hand Forged |
| 909 | EACH | 42 | 54 | 60 | 64 | 75 | |
| 910 | EACH | 39 | 50 | 54 | 59 | 69 | Hand Forged |
| 911 | EACH | 33 | 42 | 48 | 51 | 59 | |
| 912 | EACH | 44 | 55 | 62 | 66 | 76 | |
| 913 SM | EACH | 34 | 44 | 49 | 52 | 60 | |
| 913 LG | EACH | 42 | 54 | 60 | 64 | 75 | |
| 914 | EACH | 29 | 36 | 39 | 41 | 49 | |

Finials: Pages 14-16 of Catalog (continued)

| Product # | Unit | Iron Art Finishes | | | | Custom Finish | Additional Information |
|-----------|------|-------------------|-----|-----|-----|---------------|--|
| | | A | B | C | D | | |
| 916 | EACH | 34 | 44 | 49 | 52 | 60 | |
| 921 | EACH | 41 | 53 | 59 | 63 | 73 | |
| 927 | EACH | 37 | 47 | 51 | 54 | 64 | Specify Left or Right |
| 929 | EACH | 37 | 48 | 52 | 55 | 66 | Specify Left or Right |
| 929MV | EACH | 48 | 60 | 67 | 71 | 83 | Movable Finial / Specify Left or Right |
| 933 | EACH | 34 | 44 | 49 | 52 | 60 | Also Available as Movable Finial |
| 934 | EACH | 49 | 63 | 69 | 73 | 86 | |
| 935 | EACH | 49 | 63 | 69 | 73 | 86 | |
| 936 | EACH | 41 | 53 | 59 | 63 | 73 | Hand Forged / Specify Left or Right |
| 937 | EACH | 48 | 60 | 67 | 71 | 83 | Hand Forged / Specify Left or Right |
| 938 | EACH | 53 | 68 | 74 | 78 | 93 | Hand Forged / Specify Left or Right |
| 939 | EACH | 87 | 111 | 122 | 130 | 151 | Specify Left or Right |
| 940 | EACH | 68 | 87 | 93 | 100 | 117 | Hand Forged |
| 941 | EACH | 69 | 88 | 95 | 103 | 120 | Hand Forged / Specify Left or Right |
| 943 | EACH | 41 | 53 | 59 | 63 | 73 | Hand Forged |
| 944 | EACH | 42 | 54 | 60 | 64 | 75 | Hand Forged / Specify Left or Right |
| 945 | EACH | 48 | 60 | 67 | 71 | 83 | Hand Forged / Specify Left or Right |
| 946 SM | EACH | 37 | 47 | 51 | 54 | 64 | 2" Diameter Ball |
| 946 MD | EACH | 48 | 60 | 67 | 71 | 83 | 3" Diameter Ball |
| 946 LG | EACH | 53 | 69 | 74 | 78 | 93 | 4" Diameter Ball |
| 946H SM | EACH | 41 | 53 | 59 | 63 | 73 | 2" Diameter Hammered Ball |
| 946H MD | EACH | 53 | 69 | 74 | 78 | 93 | 3" Diameter Hammered Ball |
| 946H LG | EACH | 62 | 78 | 87 | 92 | 108 | 4" Diameter Hammered Ball |
| 947 SM | EACH | 39 | 50 | 54 | 59 | 69 | For Rods up to 3/4" Diameter Only |
| 947 LG | EACH | 48 | 60 | 67 | 71 | 83 | For Rods 7/8" Diameter & Above |
| 948 | EACH | 39 | 50 | 54 | 59 | 69 | |
| 949 | EACH | 39 | 50 | 54 | 59 | 69 | |
| 950 | EACH | 53 | 69 | 74 | 78 | 93 | |
| 951 | EACH | 76 | 99 | 108 | 116 | 135 | |
| 952 | EACH | 37 | 47 | 51 | 54 | 64 | |
| 953 | EACH | 37 | 47 | 51 | 54 | 64 | |
| 954 | EACH | 162 | 207 | 226 | 242 | 282 | Specify Left or Right |
| 955 | EACH | 42 | 54 | 60 | 64 | 75 | |
| 956 | EACH | 39 | 50 | 54 | 57 | 69 | |
| 966 | EACH | 41 | 53 | 59 | 63 | 73 | |
| 971 | EACH | 81 | 104 | 113 | 122 | 142 | Hand Forged / Specify Left or Right |
| 973 | EACH | 39 | 50 | 54 | 59 | 69 | |

Finials: Page 16 of Catalog (continued)

| Product # | Unit | Iron Art Finishes | | | | Custom Finish | Additional Information |
|-----------|------|-------------------|-----|-----|-----|---------------|-------------------------------------|
| | | A | B | C | D | | |
| 975 | EACH | 48 | 60 | 67 | 71 | 83 | Hand Forged |
| 976 | EACH | 39 | 50 | 54 | 57 | 69 | |
| 979 | EACH | 55 | 72 | 77 | 85 | 98 | Specify Left or Right |
| 982 | EACH | 90 | 115 | 125 | 135 | 156 | Hand Forged / Specify Left or Right |
| 983 | EACH | 45 | 57 | 63 | 68 | 77 | |
| 984 | EACH | 53 | 69 | 74 | 78 | 93 | |
| 985 | EACH | 90 | 115 | 125 | 135 | 156 | |
| 986 | EACH | 81 | 104 | 113 | 122 | 142 | Hand Forged |
| 987 | EACH | 37 | 47 | 51 | 54 | 64 | |
| 988 | EACH | 81 | 104 | 113 | 122 | 142 | |
| 989 | EACH | 39 | 50 | 54 | 59 | 69 | |
| 990 | EACH | 75 | 97 | 105 | 113 | 133 | Specify Left or Right |
| 991 | EACH | 59 | 75 | 83 | 88 | 103 | Hand Forged |
| 992 | EACH | 53 | 69 | 74 | 78 | 93 | Hand Forged |

New Finials: Page 11 of Catalog

| | | | | | | | |
|-------|------|----|----|----|----|----|--|
| 9704 | EACH | 23 | 30 | 33 | 36 | 41 | |
| 9705 | EACH | 29 | 37 | 40 | 42 | 51 | |
| 9705L | EACH | 37 | 48 | 51 | 54 | 64 | |
| 9706 | EACH | 37 | 48 | 51 | 54 | 64 | |
| 9706L | EACH | 44 | 56 | 63 | 67 | 77 | |

Village Forge Collection: Ordering Information

- All finials will have interior fit unless specified otherwise (exterior fit).
- Finials are also available as screw-in to fit wood poles.
- Please specify left or right orientation of finial as applicable.
 - If ordered in pairs (quantity of 2, 4, 6, etc.), finials will be supplied as one left and one right unless otherwise noted on order.

Village Forge Collection: Page 17 of Catalog

| Product # | Unit | Iron Art Finishes | | | | Custom Finish | Additional Information |
|-----------|------|-------------------|-----|-----|-----|---------------|-------------------------------------|
| | | A | B | C | D | | |
| 600 | EACH | 95 | 121 | 132 | 142 | 165 | Hand Forged / Specify Left or Right |
| 601 | EACH | 95 | 121 | 132 | 142 | 165 | Hand Forged / Specify Left or Right |
| 602S | EACH | 84 | 107 | 117 | 125 | 146 | Hand Forged |
| 602L | EACH | 87 | 110 | 121 | 129 | 150 | Hand Forged |
| 603 | EACH | 95 | 121 | 132 | 142 | 165 | Hand Forged / Specify Left or Right |
| 604 | EACH | 85 | 107 | 117 | 125 | 146 | Hand Forged / Specify Left or Right |
| 605 | EACH | 87 | 110 | 121 | 129 | 150 | Hand Forged / Specify Left or Right |
| 606 | EACH | 95 | 121 | 132 | 142 | 165 | Hand Forged / Specify Left or Right |
| 607 | EACH | 87 | 110 | 121 | 129 | 150 | Hand Forged / Specify Left or Right |
| 608 | EACH | 87 | 110 | 121 | 129 | 150 | Hand Forged / Specify Left or Right |

Provence Collection: Ordering Information

The Provence Collection is discontinued.

Eclectic Finials: Ordering Information

Eclectic Finials are discontinued.

Accessories: Ordering Information

1. Rods need to be mitered when using interior elbows (Product #309). Please add Product #307 for miter charges.
2. Standard elbows and corner brackets are available in 45° and 90°. For other angles, please add Product #322 as a custom angle charge.
3. For items with custom welding, please add Product #323.

Accessories: Page 19 of Catalog

| Product # | Unit | Iron Art Finishes | | | | Custom Finish | Additional Information |
|----------------|------|-------------------|-----|-----|-----|---------------|--|
| | | A | B | C | D | | |
| 214 | EACH | 23 | 28 | 30 | 35 | 41 | Hook with Screw Fitting |
| 300 | EACH | 26 | 26 | 26 | 26 | 26 | 8" Connector for Spliced Rods |
| 301-RND/SQ | EACH | 17 | 21 | 23 | 25 | 28 | End Cap for Round or Square Rods - Interior Fit |
| 302 | EACH | 17 | 21 | 23 | 25 | 30 | Half Open Socket for Round or Square Rods |
| 303 | EACH | 17 | 21 | 23 | 25 | 30 | Full Socket for Round or Square Rods |
| 302/303-RND/SQ | SET | 34 | 42 | 46 | 50 | 60 | 1 Half Open Socket and 1 Full Socket for Round or Square Rods (1 of 302 & 1 of 303) |
| 304 PEG 1 | EACH | 22 | 27 | 29 | 34 | 40 | Peg with Screw Fitting. 2 3/4" dia. - 1 1/2" screw length |
| 305 PEG 2 | EACH | 17 | 21 | 23 | 25 | 29 | Peg with Screw Fitting. 2" dia- 1 1/2" screw length |
| 307 | EACH | 32 | 32 | 32 | 32 | 32 | Miter Charge |
| 308 | EACH | 37 | 45 | 49 | 56 | 64 | Half Open Decorative Socket |
| 309 | EACH | 26 | 32 | 37 | 40 | 46 | Elbow: Specify Interior or Exterior Fit and Angle. If Interior Fit, Rods must be Mitered. Please Add Product #307. |
| 310 | EACH | 33 | 42 | 46 | 50 | 60 | Hook Peg |
| 311 | EACH | 39 | 48 | 53 | 60 | 69 | Hand-Forged Hook Bracket. 30% upcharge for Italian |
| 312 | EACH | 39 | 48 | 53 | 60 | 68 | Corner Bracket / Exterior Fit Only |
| 313 | EACH | 9 | 11 | 13 | 14 | 16 | Knob |
| 314 | EACH | 20 | 24 | 26 | 29 | 36 | Hook with Screw Fitting |
| 315 | EACH | 49 | 63 | 69 | 77 | 89 | For Hollow Rods / Interior Fit Only |
| 316 Small | EACH | 33 | 42 | 46 | 50 | 60 | Ring Bracket / Order in Full Inch Inner Diameter Increments |
| 316 Large | EACH | 61 | 77 | 85 | 94 | 109 | Ring Bracket / Order in Full Inch Inner Diameter Increments |
| 317 | EACH | 16 | 18 | 19 | 20 | 22 | Eyelet Charge |
| 320 | EACH | 46 | 60 | 65 | 71 | 84 | For Hollow Rods / Interior Fit Only. Hinge size 1/2", 1": 2"x2", 1 1/4"-3": 3"x3" |
| 321 | EACH | 17 | 21 | 23 | 25 | 29 | Decorative Cap / Interior Fit Round Hollow Rods |
| 322 | EACH | 125 | 125 | 125 | 125 | 125 | Custom Elbow Angle Charge |
| 323 | EACH | 30 | 30 | 30 | 30 | 30 | Weld Charge |

| Master Carriers for Rods with Rings | Product # | Unit | Price | Sets Include: |
|---|-----------|------|-------|---|
| Overlap Master Carrier Set in Iron Art Finishes | MCS-IA | EACH | 24 | <ul style="list-style-type: none"> • One straight master carrier for rings. • One overlap master carrier for rings. • Four rings (two for each carrier). |
| Overlap Master Carrier Set in Italian Finishes | MCS-IT | EACH | 30 | |

Please see page 29 of the Catalog for more information on Overlap Master Carriers.

Rods: Ordering Information

1. Iron rods are available in 20' (240") lengths without a splice. By default, we splice any iron rod over 8'10" (106") to save on shipping charges using FedEx/UPS. Rods not specified as one piece in the order will be spliced in the center, unless a splice location is otherwise noted. Anything over 106" must be shipped by common carrier (truck line). Please note residential truck deliveries are restricted to 24' (288").
2. Rods can be mitered. Please add Product #307 (page 15) for miter charges.
3. Twist Hollow Rods, both regular and hammered, are made from the following:
 - a. 5/8" Twist Rod is made from a 1/2" Square Hollow Rod.
 - b. 7/8" Twist Rod is made from a 5/8" Square Hollow Rod.
 - c. 1" Twist Rod is made from a 3/4" Square Hollow Rod.
 - d. 1 1/4" Twist Rod is made from a 1" Square Hollow Rod.
4. Rope Rods are made from the following:
 - a. 3/4" Rope Rod is made from 4 Solid Rods each 5/16" dia.
 - b. 1 1/4" Rope Rod is made from four Hollow Rods each 1/2" dia.
 - c. 1 3/4" Rope Rod is made from seven Hollow Rods each 1/2" diameter.
5. We offer Twist Solid Rods. This is a custom product, so please call for a price quote. Due to weight considerations, a liability waiver may be required.

Rods: Page 19 of Catalog

| Product # / Size | Unit | Iron Art Finishes | | | | Custom Finish | Additional Information |
|--|------|-------------------|----|----|----|---------------|--|
| | | A | B | C | D | | |
| Round Hollow Rods | | | | | | | |
| 1/2", 5/8" Diameter | FOOT | 14 | 17 | 18 | 21 | 24 | Regular & Heavy Gauge / Can be Bent |
| 3/4" Diameter | FOOT | 14 | 17 | 18 | 22 | 25 | Regular & Heavy Gauge / Can be Bent |
| 1" Diameter | FOOT | 18 | 25 | 27 | 28 | 33 | Regular & Heavy Gauge / Can be Bent |
| 1 1/4" Diameter | FOOT | 24 | 28 | 30 | 33 | 39 | Regular & Heavy Gauge / Can be Bent |
| 1 1/2" Diameter | FOOT | 26 | 31 | 35 | 38 | 43 | Regular & Heavy Gauge / Can be Bent |
| 2" Diameter | FOOT | 31 | 40 | 43 | 46 | 54 | Template Approval Required to Bend |
| 3" Diameter | FOOT | 40 | 50 | 55 | 58 | 69 | Can NOT be Bent |
| Heavy Gauge Charge | | | | | | | |
| 120 | FOOT | 18 | 18 | 18 | 18 | 18 | Specific Diameter Round Hollow Rods Only |
| Round Hollow Hand Hammered Rods | | | | | | | |
| 3/4" Diameter | FOOT | 21 | 28 | 31 | 33 | 37 | Can be Bent |
| 1" Diameter | FOOT | 28 | 35 | 38 | 40 | 49 | Can be Bent |
| 1 1/4" Diameter | FOOT | 32 | 39 | 43 | 46 | 53 | Can be Bent |
| 1 1/2" Diameter | FOOT | 34 | 43 | 48 | 51 | 59 | Can be Bent |
| 2" Diameter | FOOT | 39 | 51 | 55 | 59 | 69 | Template Approval Required to Bend |
| 3" Diameter | FOOT | 50 | 61 | 68 | 72 | 84 | Can NOT be Bent |
| Solid Round Rods | | | | | | | |
| 1/2" Diameter | FOOT | 18 | 21 | 23 | 25 | 31 | Can be Bent |
| 3/4" Diameter | FOOT | 21 | 28 | 31 | 32 | 37 | Can be Bent |
| 7/8" Diameter | FOOT | 27 | 34 | 37 | 39 | 46 | Can be Bent |
| Solid Round Hammered Rods | | | | | | | |
| 1/2" Diameter | FOOT | 21 | 28 | 31 | 32 | 37 | Can be Bent. Max length 10'. |
| 5/8" Diameter | FOOT | 33 | 40 | 45 | 49 | 55 | Can be Bent. Max length 10'. |
| 3/4" Diameter | FOOT | 38 | 50 | 53 | 58 | 67 | Can be Bent. Max length 10'. |
| Twist Hollow Rods | | | | | | | |
| 5/8" Diameter | FOOT | 14 | 17 | 18 | 20 | 22 | Can be Bent |
| 7/8" Diameter | FOOT | 21 | 27 | 30 | 32 | 36 | Can be Bent |
| 1" Diameter | FOOT | 23 | 31 | 33 | 35 | 40 | Can be Bent |
| 1 1/4" Diameter | FOOT | 40 | 52 | 56 | 61 | 71 | Can be Bent |

Rods: Page 19 of Catalog (continued)

| Product # / Size | Unit | Iron Art Finishes | | | | Custom Finish | Additional Information |
|---|------|-------------------|-----------|-----------|-----------|---------------|------------------------------------|
| | | A | B | C | D | | |
| Twist Hollow Hammered Rods | | | | | | | |
| 5/8" Diameter | FOOT | 27 | 34 | 37 | 39 | 46 | Can be Bent |
| 1" Diameter | FOOT | 38 | 49 | 53 | 56 | 67 | Can be Bent |
| 1 1/4" Diameter | FOOT | 55 | 70 | 77 | 82 | 96 | Can be Bent |
| Square Hollow Rods | | | | | | | |
| 1/2" | FOOT | 15 | 18 | 21 | 22 | 27 | Can NOT be Bent |
| 3/4" | FOOT | 15 | 18 | 21 | 22 | 27 | Can NOT be Bent |
| 1" | FOOT | 18 | 24 | 27 | 28 | 32 | Can NOT be Bent |
| 1 1/4" | FOOT | 22 | 28 | 30 | 32 | 38 | Can NOT be Bent |
| 1 1/2" | FOOT | 25 | 31 | 33 | 36 | 42 | Can NOT be Bent |
| 2" | FOOT | 31 | 39 | 42 | 45 | 53 | Can NOT be Bent |
| Square Hammered Rods | | | | | | | |
| 1/2" Solid | FOOT | 20 | 25 | 28 | 31 | 35 | Can NOT be Bent |
| 3/4" Hollow | FOOT | 30 | 36 | 39 | 42 | 49 | Can NOT be Bent |
| 1" Hollow | FOOT | 34 | 42 | 48 | 51 | 58 | Can NOT be Bent |
| Rope Rods | | | | | | | |
| 3/4" Diameter Solid | FOOT | 36 | 46 | 50 | 54 | 63 | Can be Bent |
| 1 1/4" Diameter Hollow | FOOT | 38 | 47 | 53 | 56 | 65 | Can be Bent |
| 1 3/4" Diameter Hollow | FOOT | 43 | 55 | 60 | 65 | 76 | Template Approval Required to Bend |
| Wood Grain Solid Rods | | | | | | | |
| 5/8" Diameter | FOOT | 32 | 39 | 43 | 48 | 52 | Can be Bent. Max length 10'. |
| 3/4" Diameter | FOOT | 42 | 53 | 58 | 63 | 72 | Can be Bent. Max length 10'. |
| 7/8" Diameter | FOOT | 51 | 64 | 70 | 75 | 87 | Can be Bent. Max length 10'. |
| Fluted Rods | | | | | | | |
| 1 1/4" Diameter | FOOT | 55 | 70 | 77 | 82 | 96 | Can NOT be Bent |
| 264 Rod with Returns | | | | | | | |
| 3/4" - 2" Diameter | FOOT | | | | | | See Page 34 for More Details |
| Rod Curve Charges - (Price Per Foot of Curve) | | | | | | | |
| 101CV | FOOT | 40 | 40 | 40 | 40 | 40 | 1/2" to 3/4" Diameter Rods |
| 102CV | FOOT | 46 | 46 | 46 | 46 | 46 | 1" to 1 1/2" Diameter Rods |
| 103CV | FOOT | 56 | 56 | 56 | 56 | 56 | 1 3/4" to 2" Diameter Rods |
| Rod Bend Charges - (Price Per Individual Bend) | | | | | | | |
| 101BD | EACH | 36 | 36 | 36 | 36 | 36 | 1/2" to 1" Diameter Rods |
| 102BD | EACH | 44 | 44 | 44 | 44 | 44 | 1 1/4" to 1 1/2" Diameter Rods |
| 103BD | EACH | 56 | 56 | 56 | 56 | 56 | 1 3/4" to 2" Diameter Rods |

Brackets: Ordering Information

1. Standard bracket projections (measured from the wall to the center of the rod) and specifications are listed in the Bracket Guide. Any bracket **NOT** listed in Bracket Guide is a custom bracket.
2. Brackets with variations in height, diameter or projection are modified brackets.
Please refer to Product #1047 for the bracket modification charge.
3. Close-fitting brackets (1" projection or less) are not recommended for rods over 1" diameter with rings.
4. For 3" diameter rods, please add Product #1047. Standard projection is 5".

Brackets: Page 20 of Catalog

| Product # <i>Shaded are Shown in Catalog</i> | Unit | Iron Art Finishes | | | | Custom Finish | Additional Information |
|---|------|---|----|----|----|---------------|--|
| | | A | B | C | D | | |
| 1010-RND/SQ | EACH | 43 | 55 | 61 | 66 | 75 | To Fit Round or Square Rods |
| 1010P6-RND/SQ | EACH | 55 | 70 | 76 | 82 | 96 | To Fit Round or Square Rods |
| 1011-RND/SQ | EACH | 39 | 49 | 54 | 57 | 68 | To Fit Round or Square Rods |
| 1011P6-RND/SQ | EACH | 55 | 70 | 76 | 82 | 96 | To Fit Round or Square Rods |
| 1021S-RND/SQ | EACH | 32 | 41 | 45 | 48 | 55 | To Fit Round or Square Rods |
| 1021-RND/SQ | EACH | 32 | 41 | 45 | 48 | 55 | To Fit Round or Square Rods |
| 1021P6-RND/SQ | EACH | 39 | 49 | 53 | 57 | 67 | To Fit Round or Square Rods |
| 1024DBWS-RND/SQ | EACH | 50 | 64 | 70 | 74 | 87 | Double Bracket with Support to Fit Round or Square Rods / Same Diameter Front & Back |
| 1024DBWS-VS-RND/SQ | | Double Bracket with Support to Fit Round or Square Rods / Different Diameters for Front & Back Our Four Standard Sizes are Listed Below / Larger Diameter Rod in Front | | | | | |
| ¾" & 1" Diameter | EACH | 41 | 52 | 56 | 60 | 71 | To Fit ¾" & 1" Diameter Rods |
| ¾" & 1¼" Diameter | EACH | 43 | 55 | 61 | 66 | 75 | To Fit ¾" & 1¼" Diameter Rods |
| 1" & 1¼" Diameter | EACH | 47 | 58 | 66 | 70 | 81 | To Fit 1" & 1¼" Diameter Rods |
| 1" & 1½" Diameter | EACH | 49 | 63 | 69 | 73 | 86 | To Fit 1" & 1½" Diameter Rods |
| 1027-RND/SQ | EACH | 39 | 48 | 53 | 56 | 67 | To Fit Round or Square Rods |
| 1028-RND/SQ | EACH | 27 | 33 | 38 | 40 | 46 | To Fit Round or Square Rods |
| 1028P6-RND/SQ | EACH | 35 | 46 | 50 | 54 | 63 | To Fit Round or Square Rods |
| 1028HP-RND/SQ | EACH | 24 | 31 | 33 | 35 | 42 | For Round or Square Rods - Horizontal Plate Top Weld Standard - Center Weld on Request |
| 1028HP-HDP3-RND/SQ | EACH | 31 | 38 | 42 | 45 | 53 | Rnd or Sq Rods - Horiz Plate - Top Weld Std Center Weld on Request - Heavy Duty |
| 1028HPP6-RND/SQ | EACH | 39 | 49 | 54 | 57 | 68 | For Round or Square Rods - Horizontal Plate Top Weld Standard - Center Weld on Request |
| 1028EXP-RND | EACH | 45 | 56 | 63 | 67 | 76 | To Fit Round Rods / Expandable |
| 1028HDP3-RND/SQ | EACH | 30 | 39 | 42 | 45 | 52 | To Fit Round or Square Rods / Heavy Duty |
| 1028WS-RND/SQ | EACH | 39 | 49 | 54 | 57 | 68 | To Fit Round or Square Rods / with Support |
| 1028WSP6-RND/SQ | EACH | 45 | 56 | 63 | 67 | 76 | To Fit Round or Square Rods / with Support |
| 1028EBP-RND/SQ | EACH | 30 | 39 | 42 | 45 | 52 | To Fit Round or Square Rods Extended Back Plate ¾" from Top |
| 1028EBPP6-RND/SQ | EACH | 35 | 46 | 50 | 54 | 63 | To Fit Round or Square Rods Extended Back Plate ¾" from Top |
| 1029P4-RND/SQ | EACH | 39 | 49 | 54 | 57 | 68 | To Fit Round or Square Rods |
| 1029P6-RND/SQ | EACH | 45 | 56 | 63 | 67 | 76 | To Fit Round or Square Rods |
| 1030-RND/SQ | EACH | 39 | 49 | 54 | 57 | 68 | To Fit Round or Square Rods |
| 1030P6-RND/SQ | EACH | 48 | 59 | 67 | 71 | 83 | To Fit Round or Square Rods |
| 1030SL-RND/SQ | EACH | 30 | 39 | 42 | 45 | 52 | To Fit Round or Square Rods Slim with ¾" Width |
| 1030SLP6-RND/SQ | EACH | 35 | 46 | 50 | 54 | 63 | To Fit Round or Square Rods Slim with ¾" Width |
| 1033-RND/SQ | EACH | 46 | 57 | 63 | 68 | 77 | To Fit Round or Square Rods |
| 1033P6-RND/SQ | EACH | 55 | 70 | 76 | 83 | 96 | To Fit Round or Square Rods |

Brackets: Page 20 of Catalog (continued)

| Product # <i>Shaded are Shown in Catalog</i> | Unit | Iron Art Finishes | | | | Custom Finish | Additional Information |
|---|------|---|----|----|----|---------------|---|
| | | A | B | C | D | | |
| 1034-RND/SQ | EACH | 33 | 42 | 46 | 49 | 57 | To Fit Round or Square Rods |
| 1034P6-RND/SQ | EACH | 42 | 53 | 57 | 63 | 72 | To Fit Round or Square Rods |
| 1035-RND/SQ | EACH | 28 | 34 | 38 | 41 | 47 | To Fit Round or Square Rods Single / Ceiling Mount |
| 1036-RND/SQ | EACH | 42 | 53 | 57 | 63 | 72 | To Fit Round or Square Rods Double / Ceiling Mount |
| 1038-RND/SQ | EACH | 54 | 67 | 75 | 81 | 94 | To Fit Round or Square Rods Decorative Forged |
| 1038P6-RND | EACH | 63 | 78 | 88 | 94 | 110 | To Fit Round Rods / Decorative Forged |
| 1040-RND/SQ | EACH | 28 | 34 | 38 | 41 | 47 | To Fit Round or Square Rods |
| 1040P6-RND/SQ | EACH | 35 | 46 | 50 | 54 | 63 | To Fit Round or Square Rods |
| 1040HDP3-RND/SQ | EACH | 30 | 39 | 42 | 45 | 52 | To Fit Round or Square Rods / Heavy Duty |
| 1040DBWS-RND/SQ | EACH | 42 | 53 | 57 | 63 | 72 | Double Bracket with Support to Fit Round or Square Rods / Same Diameter Front & Back |
| 1040DBWS-VS-RND/SQ | | Double Bracket with Support to Fit Round or Square Rods / Different Diameters for Front & Back Our Four Standard Sizes are Listed Below / Larger Diameter Rod in Front | | | | | |
| ¾" & 1" Diameter | EACH | 42 | 53 | 57 | 63 | 72 | To Fit ¾" & 1" Diameter Rods |
| ¾" & 1¼" Diameter | EACH | 45 | 56 | 63 | 67 | 76 | To Fit ¾" & 1¼" Diameter Rods |
| 1" & 1¼" Diameter | EACH | 48 | 59 | 67 | 71 | 83 | To Fit 1" & 1¼" Diameter Rods |
| 1" & 1½" Diameter | EACH | 50 | 64 | 71 | 75 | 88 | To Fit 1" & 1½" Diameter Rods |
| 1040EBP-RND/SQ | EACH | 28 | 34 | 38 | 41 | 47 | To Fit Round or Square Rods Extended Back Plate ¾" from Top |
| 1040EBPP6-RND/SQ | EACH | 35 | 46 | 50 | 54 | 63 | To Fit Round or Square Rods Extended Back Plate ¾" from Top |
| 1040HP-RND/SQ | EACH | 24 | 31 | 33 | 35 | 42 | For Round or Square Rods - Horizontal Plate Top Weld Standard - Center Weld on Request |
| 1040HP-HDP3-RND/SQ | EACH | 31 | 38 | 42 | 45 | 53 | Rnd or Sq Rods - Horiz Plate - Top Weld Std Center Weld on Request - Heavy Duty |
| 1040HPP6-RND/SQ | EACH | 35 | 46 | 50 | 54 | 63 | For Round or Square Rods - Horizontal Plate Top Weld Standard - Center Weld on Request |
| 1040WS-RND/SQ | EACH | 35 | 46 | 50 | 54 | 63 | To Fit Round or Square Rods / with Support |
| 1040WSP6-RND/SQ | EACH | 42 | 53 | 57 | 63 | 72 | To Fit Round or Square Rods / with Support |
| 1040EXP-RND | EACH | 48 | 59 | 67 | 71 | 83 | To Fit Round Rods / Expandable |
| 1045 (catalog page 24) | EACH | 16 | 19 | 21 | 23 | 27 | Top Rod Support / Heavy Duty |
| 1046 | EACH | 30 | 39 | 42 | 45 | 52 | ⅜" and ½" Round Bars for French Doors Projection: 1½" |
| 1047 | EACH | 50 | 50 | 50 | 50 | 50 | Bracket Modification Charge |

Decorative Brackets: Page 20 of Catalog

| | | | | | | | |
|---------------|------|----|----|----|----|-----|--|
| 1100P3-RND/SQ | EACH | 43 | 54 | 60 | 64 | 74 | To Fit Round or Square Rods Specify Left or Right |
| 1100P6-RND/SQ | EACH | 47 | 62 | 67 | 71 | 84 | To Fit Round or Square Rods Specify Left or Right |
| 1102P3-RND/SQ | EACH | 39 | 48 | 53 | 58 | 67 | To Fit Round or Square Rods |
| 1102P6-RND/SQ | EACH | 46 | 60 | 65 | 69 | 81 | To Fit Round or Square Rods |
| 1103P3-RND/SQ | EACH | 37 | 45 | 49 | 53 | 63 | To Fit Round or Square Rods |
| 1103P6-RND/SQ | EACH | 44 | 56 | 62 | 65 | 76 | To Fit Round or Square Rods |
| 1104P3-RND/SQ | EACH | 54 | 68 | 75 | 80 | 93 | To Fit Round or Square Rods |
| 1104P6-RND/SQ | EACH | 63 | 80 | 87 | 93 | 109 | To Fit Round or Square Rods |
| 1105P3-RND/SQ | EACH | 51 | 66 | 71 | 78 | 90 | To Fit Round or Square Rods |
| 1105P6-RND/SQ | EACH | 61 | 76 | 84 | 89 | 104 | To Fit Round or Square Rods |
| 1106P3-RND/SQ | EACH | 54 | 69 | 76 | 81 | 95 | To Fit Round or Square Rods Specify Left or Right |
| 1106P6-RND/SQ | EACH | 65 | 84 | 91 | 97 | 113 | To Fit Round or Square Rods Specify Left or Right |

Bracket Guide: Projections for Various Rod Diameters and Gauges

| Product # <i>Shaded are Shown in Catalog</i> | Regular Gauge (1/8" Thick) (Not Heavy Duty) | | | | | | | | | Heavy Gauge (3/16" Thick) (Heavy Duty) | | | | | | | | | | | | | | |
|--|---|------|------------------|--------------|------|------------------|--------------|------|------------------|---|------|------------------|--------------|------|------------------|--------------|------|------------------|--------------|------|------------------|--------------|------|------------------|
| | Refer to Pages 18 & 19 for Pricing | | | | | | | | | | | | | | | | | | | | | | | |
| | Rod Diameter | | | | | | | | | | | | | | | | | | | | | | | |
| | 1/2" | | | 3/4" | | | 1" | | | 1 1/4" | | | 1 1/2" | | | 1 3/4" | | | 2" | | | | | |
| P = Projection • W = Back Plate Width • H = Back Plate Height • D = Drop | | | | | | | | | | | | | | | | | | | | | | | | |
| BRACKETS | P | W | H | P | W | H | P | W | H | P | W | H | P | W | H | P | W | H | P | W | H | | | |
| 1010-RND/SQ | 3" | 2" | 2" | 3" | 2" | 2" | 3" | 2" | 2" | 3" | 2" | 2" | 3" | 2" | 2" | 4" | 2" | 2" | 4" | 2" | 2" | 4" | 2" | 2" |
| 1010P6-RND/SQ | 6" | 2" | 2" | 6" | 2" | 2" | 6" | 2" | 2" | 6" | 2" | 2" | 6" | 2" | 2" | 6" | 2" | 2" | 6" | 2" | 2" | 6" | 2" | 2" |
| 1011-RND/SQ | 3" | 2" | 2 3/4" | 3" | 2" | 2 3/4" | 3" | 2" | 2 3/4" | 3" | 2" | 2 3/4" | 3" | 2" | 2 3/4" | 4" | 2" | 2 3/4" | 4" | 2" | 2 3/4" | 4" | 2" | 2 3/4" |
| 1011P6-RND/SQ | 6" | 2" | 2 3/4" | 6" | 2" | 2 3/4" | 6" | 2" | 2 3/4" | 6" | 2" | 2 3/4" | 6" | 2" | 2 3/4" | 6" | 2" | 2 3/4" | 6" | 2" | 2 3/4" | 6" | 2" | 2 3/4" |
| 1021S-RND/SQ | 1 1/2" | 1" | 4" | 1 1/2" | 1" | 4" | 1 1/2" | 1" | 4 1/4" | 1 1/2" | 1" | 4 3/4" | 2" | 1" | 5" | 2" | 1" | 5" | 2" | 1" | 5" | 2" | 1" | 5 1/2" |
| 1021-RND/SQ | 3" | 1" | 4 1/2" | 3" | 1" | 4 1/2" | 3" | 1" | 4 1/2" | 3" | 1" | 5" | 3" | 1" | 5" | 4" | 1" | 5" | 4" | 1" | 5" | 4" | 1" | 5 1/2" |
| 1021P6-RND/SQ | 6" | 1" | 6" | 6" | 1" | 6" | 6" | 1" | 6" | 6" | 1" | 6 1/2" | 6" | 1" | 6 1/2" | 6" | 1" | 6 1/2" | 6" | 1" | 6 1/2" | 6" | 1" | 6 3/4" |
| 1024DBWS-RND/SQ | 3"/6" | 1" | 4" | 3"/6" | 1" | 4" | 3"/6" | 1" | 4" | 3"/6" | 1" | 4" | 3"/6" | 1" | 4" | 4"/8" | 1" | 4" | 4"/8" | 1" | 4" | 4"/8" | 1" | 4 1/2" |
| 1024DBWS-VS-RND/SQ | Double bracket with support to fit round or square rods. Different diameters for front & back. Our four standard sizes are listed below. Larger diameter rod is in the front. | | | | | | | | | | | | | | | | | | | | | | | |
| To Fit 3/4" & 1" Dia. Rods | | | | 3" | 1" | 4" | 6" | 1" | 4" | | | | | | | | | | | | | | | |
| To Fit 3/4" & 1 1/4" Dia. Rods | | | | 3" | 1" | 4" | | | | 6" | 1" | 4" | | | | | | | | | | | | |
| To Fit 1" & 1 1/4" Dia. Rods | | | | | | | 3" | 1" | 4" | 6" | 1" | 4" | | | | | | | | | | | | |
| To Fit 1" & 1 1/2" Dia. Rods | | | | | | | 3" | 1" | 4" | | | | 6" | 1" | 4" | | | | | | | | | |
| 1027-RND/SQ <small>round square</small> | 4" | 1/2" | 4 1/2" 5 1/2" | 4" | 1/2" | 4 1/2" 5 1/2" | 4" | 1/2" | 4 1/2" 5 1/2" | 4" | 1/2" | 4 3/4" 5 3/4" | 4" | 1/2" | 4 3/4" 5 3/4" | 4 1/2" | 1/2" | 4 3/4" 5 3/4" | 4 1/2" | 1/2" | 4 3/4" 5 3/4" | 4 1/2" | 1/2" | 4 3/4" 5 3/4" |
| 1028-RND/SQ | 3" | 1" | 3 1/4" | 3" | 1" | 3 1/4" | 3" | 1" | 3 1/4" | 3" | 1" | 3 1/4" | 3" | 1" | 3 1/4" | 4" | 1" | 3 1/4" | 4" | 1" | 3 1/4" | 4" | 1" | 4" |
| 1028P6-RND/SQ | 6" | 1" | 3 1/4" | 6" | 1" | 3 1/4" | 6" | 1" | 3 1/4" | 6" | 1" | 3 1/4" | 6" | 1" | 3 1/4" | 6" | 1" | 3 1/4" | 6" | 1" | 3 1/4" | 6" | 1" | 3 1/4" |
| 1028HP-RND/SQ | 3" | 3" | 1" | 3" | 3" | 1" | 3" | 3" | 1" | 3" | 3" | 1" | 3" | 3" | 1" | 4" | 3" | 1" | 4" | 3" | 1" | 4" | 3" | 1" |
| 1028HP-HDP3-RND/SQ | 3" | 3" | 1" | 3" | 3" | 1" | 3" | 3" | 1" | 3" | 3" | 1" | 3" | 3" | 1" | 4" | 3" | 1" | 4" | 3" | 1" | 4" | 3" | 1" |
| 1028HPP6-RND/SQ | 6" | 3" | 1" | 6" | 3" | 1" | 6" | 3" | 1" | 6" | 3" | 1" | 6" | 3" | 1" | 6" | 3" | 1" | 6" | 3" | 1" | 6" | 3" | 1" |
| 1028EXP-RND | 3-4 1/4" | 1" | 3 1/4" | 3-4 1/4" | 1" | 3 1/4" | 3-4 1/4" | 1" | 3 1/4" | 3-4 1/4" | 1" | 3 1/4" | 3-4 1/4" | 1" | 3 1/4" | 3-4 1/4" | 1" | 3 1/4" | 3-4 1/4" | 1" | 3 1/4" | 4-5 1/4" | 1" | 3 1/4" |
| 1028HDP3-RND/SQ | 3" | 1" | 3 1/4" | 3" | 1" | 3 1/4" | 3" | 1" | 3 1/4" | 3" | 1" | 3 1/4" | 3" | 1" | 3 1/4" | 4" | 1" | 3 1/4" | 4" | 1" | 3 1/4" | 4" | 1" | 4" |
| 1028WS-RND/SQ | 3" | 1" | 4" | 3" | 1" | 4" | 3" | 1" | 4" | 3" | 1" | 4" | 3" | 1" | 4" | 4" | 1" | 4" | 4" | 1" | 4" | 4" | 1" | 4" |
| 1028WSP6-RND/SQ | 6" | 1" | 4" | 6" | 1" | 4" | 6" | 1" | 4" | 6" | 1" | 4" | 6" | 1" | 4" | 6" | 1" | 4" | 6" | 1" | 4" | 6" | 1" | 4" |
| 1028EBP-RND/SQ | 3" | 1" | 4" | 3" | 1" | 4" | 3" | 1" | 4" | 3" | 1" | 4" | 3" | 1" | 4" | 4" | 1" | 4" | 4" | 1" | 4" | 4" | 1" | 4" |
| 1028EBPP6-RND/SQ | 6" | 1" | 4" | 6" | 1" | 4" | 6" | 1" | 4" | 6" | 1" | 4" | 6" | 1" | 4" | 6" | 1" | 4" | 6" | 1" | 4" | 6" | 1" | 4" |
| 1029P4-RND/SQ | 4" | 1" | 3 1/2" | 4" | 1" | 3 1/2" | 4" | 1" | 3 1/2" | 4" | 1" | 4" | 4" | 1" | 4" | 4" | 1" | 4" | 4" | 1" | 4" | 4" | 1" | 4" |
| 1029P6-RND/SQ | 6" | 1" | 4" | 6" | 1" | 4" | 6" | 1" | 4" | 6" | 1" | 4" | 6" | 1" | 4" | 6" | 1" | 4" | 6" | 1" | 4" | 6" | 1" | 4" |
| 1030-RND/SQ | 3" | 1" | 3 1/4" | 3" | 1" | 3 1/4" | 3" | 1" | 3 1/4" | 3" | 1" | 3 1/2" | 3" | 1" | 3 1/2" | 4" | 1" | 3 1/2" | 4" | 1" | 3 1/2" | 4" | 1" | 4" |
| 1030P6-RND/SQ | 6" | 1" | 3 1/4" | 6" | 1" | 3 1/4" | 6" | 1" | 3 1/4" | 6" | 1" | 3 1/2" | 6" | 1" | 3 1/2" | 6" | 1" | 3 1/2" | 6" | 1" | 3 1/2" | 6" | 1" | 4" |
| 1030SL-RND/SQ | 3" | 1/2" | 3" | 3" | 1/2" | 3" | 3" | 1/2" | 3" | 3" | 1/2" | 3 1/2" | 3" | 1/2" | 3 1/2" | 4" | 1/2" | 3 1/2" | 4" | 1/2" | 3 1/2" | 4" | 1/2" | 4" |
| 1030SLP6-RND/SQ | 6" | 1/2" | 3" | 6" | 1/2" | 3" | 6" | 1/2" | 3" | 6" | 1/2" | 3 1/2" | 6" | 1/2" | 3 1/2" | 6" | 1/2" | 3 1/2" | 6" | 1/2" | 3 1/2" | 6" | 1/2" | 4" |
| 1033-RND/SQ | 3" | 1" | 3 1/2" | 3" | 1" | 3 1/2" | 3" | 1" | 3 1/2" | 3" | 1" | 3 1/2" | 3" | 1" | 3 1/2" | 4" | 1" | 3 1/2" | 4" | 1" | 3 1/2" | 4" | 1" | 4 1/2" |
| 1033P6-RND/SQ | 6" | 1" | 3 1/2" | 6" | 1" | 3 1/2" | 6" | 1" | 3 1/2" | 6" | 1" | 3 1/2" | 6" | 1" | 3 1/2" | 6" | 1" | 3 1/2" | 6" | 1" | 3 1/2" | 6" | 1" | 4 1/2" |
| 1034-RND/SQ | 3" | 1" | 3 1/4" | 3" | 1" | 3 1/4" | 3" | 1" | 3 1/2" | 3" | 1" | 3 1/2" | 3" | 1" | 3 1/2" | 4" | 1" | 3 1/2" | 4" | 1" | 3 1/2" | 4" | 1" | 4" |
| 1034P6-RND/SQ | 6" | 1" | 3 1/4" | 6" | 1" | 3 1/4" | 6" | 1" | 3 1/2" | 6" | 1" | 3 1/2" | 6" | 1" | 3 1/2" | 6" | 1" | 3 1/2" | 6" | 1" | 3 1/2" | 6" | 1" | 4" |
| 1035-RND/SQ | D2" P3" | 1" | 2" | D2" P3" | 1" | 2" | D2" P3" | 1" | 2" | D3" P3" | 1" | 2" | D3" P3" | 1" | 2" | D4" P3" | 1" | 2" | D4" P3" | 1" | 2" | D4" P3" | 1" | 2" |
| 1036-RND/SQ | D2" P3/6" | 1" | 2" | D2" P3/6" | 1" | 2" | D2" P3/6" | 1" | 2" | D3" P3/6" | 1" | 2" | D3" P3/6" | 1" | 2" | D4" P4/8" | 1" | 2" | D4" P4/8" | 1" | 2" | D4" P4/8" | 1" | 2" |

Bracket Guide: (continued)

| Product # <i>Shaded are Shown in Catalog</i> Refer to Pages 18 & 19 for Pricing | Regular Gauge (1/8" Thick) (Not Heavy Duty) | | | | | | | | | Heavy Gauge (3/16" Thick) (Heavy Duty) | | | | | | | | | | | |
|--|---|------|--------|----------|------|--------|----------|------|--------|---|------|--------|----------|------|--------|----------|------|--------|----------|------|--------|
| | Rod Diameter | | | | | | | | | | | | | | | | | | | | |
| | 1/2" | | | 3/4" | | | 1" | | | 1 1/4" | | | 1 1/2" | | | 1 3/4" | | | 2" | | |
| | P = Projection • W = Back Plate Width • H = Back Plate Height • D = Drop | | | | | | | | | | | | | | | | | | | | |
| BRACKETS | P | W | H | P | W | H | P | W | H | P | W | H | P | W | H | P | W | H | P | W | H |
| 1038-RND/SQ | 4" | 1/2" | 6 1/2" | 4" | 1/2" | 6 1/2" | 4" | 1/2" | 6 1/2" | 4" | 1/2" | 6 1/2" | 4" | 1/2" | 6 1/2" | 4" | 1/2" | 6 1/2" | 4" | 1/2" | 6 1/2" |
| 1038P6-RND | 6" | 1/2" | 6 1/2" | 6" | 1/2" | 6 1/2" | 6" | 1/2" | 6 1/2" | 6" | 1/2" | 6 1/2" | 6" | 1/2" | 6 1/2" | 6" | 1/2" | 6 1/2" | 6" | 1/2" | 6 1/2" |
| 1040-RND/SQ | 3" | 1" | 3 1/4" | 3" | 1" | 3 1/4" | 3" | 1" | 3 1/4" | 3" | 1" | 3 1/4" | 3" | 1" | 3 1/4" | 4" | 1" | 3 1/4" | 4" | 1" | 4" |
| 1040P6-RND/SQ | 6" | 1" | 3 1/4" | 6" | 1" | 3 1/4" | 6" | 1" | 3 1/4" | 6" | 1" | 3 1/4" | 6" | 1" | 3 1/4" | 6" | 1" | 3 1/4" | 6" | 1" | 3 1/4" |
| 1040HDP3-RND/SQ | 3" | 1" | 3 1/4" | 3" | 1" | 3 1/4" | 3" | 1" | 3 1/4" | 3" | 1" | 3 1/4" | 3" | 1" | 3 1/4" | 4" | 1" | 3 1/4" | 4" | 1" | 4" |
| 1040DBWS-RND/SQ | 3 1/6" | 1" | 4" | 3 1/6" | 1" | 4" | 3 1/6" | 1" | 4" | 3 1/6" | 1" | 4" | 3 1/6" | 1" | 4" | 4 1/8" | 1" | 4" | 4 1/8" | 1" | 4 1/2" |
| 1040DBWS-VS-RND/SQ | Double bracket with support to fit round or square rods. Different diameters for front & back. Our four standard sizes are listed below. Larger diameter rod is in the front. | | | | | | | | | | | | | | | | | | | | |
| To Fit 3/4" & 1" Dia. Rods | | | | 3" | 1" | 4" | 6" | 1" | 4" | | | | | | | | | | | | |
| To Fit 3/4" & 1 1/4" Dia. Rods | | | | 3" | 1" | 4" | | | | 6" | 1" | 4" | | | | | | | | | |
| To Fit 1" & 1 1/4" Dia. Rods | | | | | | | 3" | 1" | 4" | 6" | 1" | 4" | | | | | | | | | |
| To Fit 1" & 1 1/2" Dia. Rods | | | | | | | 3" | 1" | 4" | | | | 6" | 1" | 4" | | | | | | |
| 1040EBP-RND/SQ | 3" | 1" | 4" | 3" | 1" | 4" | 3" | 1" | 4" | 3" | 1" | 4" | 3" | 1" | 4" | 4" | 1" | 4" | 4" | 1" | 4" |
| 1040EBPP6-RND/SQ | 6" | 1" | 4" | 6" | 1" | 4" | 6" | 1" | 4" | 6" | 1" | 4" | 6" | 1" | 4" | 6" | 1" | 4" | 6" | 1" | 4" |
| 1040HP-RND/SQ | 3" | 3" | 1" | 3" | 3" | 1" | 3" | 3" | 1" | 3" | 3" | 1" | 3" | 3" | 1" | 4" | 3" | 1" | 4" | 3" | 1" |
| 1040HP-HDP3-RND/SQ | 3" | 3" | 1" | 3" | 3" | 1" | 3" | 3" | 1" | 3" | 3" | 1" | 3" | 3" | 1" | 4" | 3" | 1" | 4" | 3" | 1" |
| 1040HPP6-RND/SQ | 6" | 3" | 1" | 6" | 3" | 1" | 6" | 3" | 1" | 6" | 3" | 1" | 6" | 3" | 1" | 6" | 3" | 1" | 6" | 3" | 1" |
| 1040WS-RND/SQ | 3" | 1" | 4" | 3" | 1" | 4" | 3" | 1" | 4" | 3" | 1" | 4" | 3" | 1" | 4" | 4" | 1" | 4" | 4" | 1" | 4" |
| 1040WSP6-RND/SQ | 6" | 1" | 4" | 6" | 1" | 4" | 6" | 1" | 4" | 6" | 1" | 4" | 6" | 1" | 4" | 6" | 1" | 4" | 6" | 1" | 4" |
| 1040EXP-RND | 3-4 1/4" | 1" | 3 1/4" | 3-4 1/4" | 1" | 3 1/4" | 3-4 1/4" | 1" | 3 1/4" | 3-4 1/4" | 1" | 3 1/4" | 3-4 1/4" | 1" | 3 1/4" | 3-4 1/4" | 1" | 3 1/4" | 4-5 1/4" | 1" | 3 1/4" |
| 1045 (cat. page 24) | N/A | 1/2" | 1 1/2" | N/A | 1/2" | 1 1/2" | N/A | 1/2" | 1 1/2" | N/A | 1/2" | 2" | N/A | 1/2" | 2" | N/A | 1/2" | 2" | N/A | 1/2" | 2" |
| 1046 | 1 1/2" | 1" | 1 1/4" | 1 1/2" | 1" | 1 1/4" | 1 1/2" | 1" | 1 1/4" | 1 1/2" | 1" | 2" | 2" | 1" | 2" | 3" | 1" | 3" | 3" | 1" | 3" |
| DECORATIVE BRACKETS | | | | | | | | | | | | | | | | | | | | | |
| 1100P3-RND/SQ | 3" | 1" | 3" | 3" | 1" | 3" | 3" | 1" | 3" | 3" | 1" | 3" | 3" | 1" | 3" | 4" | 1" | 3" | 4" | 1" | 3" |
| 1100P6-RND/SQ | 6" | 1" | 3" | 6" | 1" | 3" | 6" | 1" | 3" | 6" | 1" | 3" | 6" | 1" | 3" | 6" | 1" | 3" | 6" | 1" | 3" |
| 1102P3-RND/SQ | 3" | 1" | 3" | 3" | 1" | 3" | 3" | 1" | 3" | 3" | 1" | 3" | 3" | 1" | 3" | 4" | 1" | 3" | 4" | 1" | 3" |
| 1102P6-RND/SQ | 6" | 1" | 3" | 6" | 1" | 3" | 6" | 1" | 3" | 6" | 1" | 3" | 6" | 1" | 3" | 6" | 1" | 3" | 6" | 1" | 3" |
| 1103P3-RND/SQ | 3" | 1" | 3" | 3" | 1" | 3" | 3" | 1" | 3" | 3" | 1" | 3" | 3" | 1" | 3" | 4" | 1" | 3" | 4" | 1" | 3" |
| 1103P6-RND/SQ | 6" | 1" | 3" | 6" | 1" | 3" | 6" | 1" | 3" | 6" | 1" | 3" | 6" | 1" | 3" | 6" | 1" | 3" | 6" | 1" | 3" |
| 1104P3-RND/SQ | 3" | 1" | 3" | 3" | 1" | 3" | 3" | 1" | 3" | 3" | 1" | 3" | 3" | 1" | 3" | 4" | 1" | 3" | 4" | 1" | 3" |
| 1104P6-RND/SQ | 6" | 1" | 3" | 6" | 1" | 3" | 6" | 1" | 3" | 6" | 1" | 3" | 6" | 1" | 3" | 6" | 1" | 3" | 6" | 1" | 3" |
| 1105P3-RND/SQ | 3" | 1" | 3" | 3" | 1" | 3" | 3" | 1" | 3" | 3" | 1" | 3" | 3" | 1" | 3" | 4" | 1" | 3" | 4" | 1" | 3" |
| 1105P6-RND/SQ | 6" | 1" | 3" | 6" | 1" | 3" | 6" | 1" | 3" | 6" | 1" | 3" | 6" | 1" | 3" | 6" | 1" | 3" | 6" | 1" | 3" |
| 1106P3-RND/SQ | 3" | 1" | 3" | 3" | 1" | 3" | 3" | 1" | 3" | 3" | 1" | 3" | 3" | 1" | 3" | 4" | 1" | 3" | 4" | 1" | 3" |
| 1106P6-RND/SQ | 6" | 1" | 3" | 6" | 1" | 3" | 6" | 1" | 3" | 6" | 1" | 3" | 6" | 1" | 3" | 6" | 1" | 3" | 6" | 1" | 3" |
| RND = Round | Round Hollow, Round Hollow Hammered, Solid Round, Solid Round Hammered, Twist Hollow, Rope, Wood Grain Solid, Fluted, and Twist Hollow Hammered | | | | | | | | | | | | | | | | | | | | |
| SQ = Square | Square Hollow, Square Hollow Hammered | | | | | | | | | | | | | | | | | | | | |

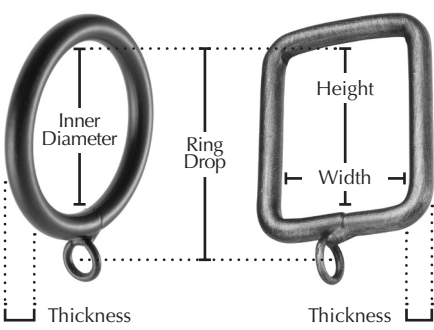
Iron Art Rings: Ordering Information

1. Ring diameters are specified for size of rods. Please specify ring size by the size of rod in the order.
2. Rings are made of solid iron.

Iron Art Rings: Page 21 of Catalog

| Product # (Rod Diameter) | Unit | Iron Art Finishes | | | | Custom Finish | Additional Information |
|-----------------------------|------|-------------------|------|------|------|---------------|------------------------|
| | | A | B | C | D | | |
| 350 (1/4" - 1/2") | EACH | 6 | 6.5 | 7.5 | 8 | 9.5 | |
| 350 (5/8" - 2") | EACH | 6.5 | 7.5 | 8.5 | 9 | 10.5 | |
| 350 (2 1/4" - 3") | EACH | 11.5 | 14 | 15 | 16 | 17 | |
| 351 (5/8" - 2") | EACH | 8.5 | 9 | 9.5 | 10 | 12 | |
| 351 (2 1/4" - 3") | EACH | 11.5 | 14 | 15.5 | 16.5 | 18.5 | |
| 352 (1/2" - 1") | EACH | 8 | 8.5 | 9 | 10 | 11.5 | |
| 352 (1 1/4" - 2") | EACH | 8.5 | 9 | 10 | 10.5 | 12 | |
| 353 (1/2") | EACH | 7.5 | 9 | 10 | 10.5 | 12 | |
| 353 (5/8" - 2") | EACH | 8 | 10 | 11 | 11.5 | 12.5 | |
| 353 (2 1/4" - 3") | EACH | 11 | 13 | 14.5 | 15.5 | 18.5 | |
| 354 (1/2") | EACH | 9 | 9.5 | 10 | 10.5 | 12 | |
| 354 (5/8" - 2") | EACH | 9.5 | 10 | 11.5 | 12 | 13 | |
| 354 (2 1/4" - 3") | EACH | 11.5 | 12 | 13 | 14.5 | 16 | |
| 355 (1/2" - 1 1/4") | EACH | 8.5 | 9 | 9.5 | 10.5 | 12 | |
| 355 (1 3/8" - 2") | EACH | 8.5 | 9.5 | 10 | 11 | 12.5 | |
| 355 (2 1/4" - 3") | EACH | 11.5 | 14 | 15 | 16 | 17.5 | |
| 356 (1/2") | EACH | 7 | 7.5 | 8 | 8.5 | 10 | |
| 356 (5/8" - 2") | EACH | 8.5 | 9 | 9.5 | 10.5 | 11.5 | |
| 356 (2 1/4" - 3") | EACH | 10 | 12 | 13 | 14.5 | 16.5 | |
| 330 (3/4" - 1 1/2") | EACH | 8 | 10 | 11.5 | 12.5 | 15 | |
| 330 (2" - 3") | EACH | 8.5 | 10.5 | 12 | 13 | 15.5 | |

Iron Art Rings: A Guide to Sizes

| Ring Type | Rod/Pole Outer Diameter | Ring Inner Diameter* | Ring Outer Diameter | Thickness | Ring Drop |
|---|----------------------------|-------------------------|------------------------|-----------|--------------|
|  | 1/4" ** | 3/4" | 1 1/4" | 1/4" | 1 1/4" |
| | 1/2" | 1" | 1 1/2" | 1/4" | 1 1/2" |
| | 3/4" | 1 1/4" | 1 3/4" | 1/4" | 1 3/4" |
| | 1" | 1 1/2" | 2" | 1/4" | 2" |
| | 1 1/4" | 1 3/4" | 2 1/4" | 1/4" | 2 1/4" |
| | 1 1/2" | 2" | 2 1/2" | 1/4" | 2 1/2" |
| | 2" | 2 1/2" | 3" | 1/4" | 3" |
| | 2 1/2" | 3" | 3 1/2" | 1/4" | 3 1/2" |
| | 3" | 3 1/2" | 4" | 1/4" | 4" |
| 3 1/2" ** | 4" | 4 1/2" | 1/4" | 4 1/2" | |
| 351 Twisted Ring | 3/4" | 1 1/4" | 1 7/8" | 5/16" | 1 3/4" |
| | 1" | 1 1/2" | 2 1/8" | 5/16" | 2" |
| | 1 1/4" | 1 3/4" | 2 3/8" | 5/16" | 2 1/4" |
| | 1 1/2" | 2" | 2 5/8" | 5/16" | 2 1/2" |
| | 2" | 2 1/2" | 3 1/8" | 5/16" | 3" |
| | 2 1/2" | 3" | 3 5/8" | 5/16" | 3 7/16" |
| 3 1/2" ** | 4" | 4 5/8" | 5/16" | 4 9/16" | |

*We recommend the ring's inner diameter to be 1/2" larger than the rod diameter. 4 rings is recommended per foot.

22 **Ring will fit this size rod, but Orion does not carry it in this size.

Iron Art Rings: A Guide to Sizes (continued)

| Ring Type | Rod/Pole Outer Diameter | Ring Inner Diameter* | Ring Outer Diameter | Thickness | Ring Drop |
|---------------------------------|----------------------------|-------------------------|------------------------|-----------|--------------|
| 352 Square Ring | 1/2" | 3/4"W x 1 1/8"H | 1 1/4"W x 1 5/8"H | 1/4" | 1 5/8" |
| | 3/4" | 1"W x 1 1/2"H | 1 1/2"W x 2"H | 1/4" | 2" |
| | 1" | 1 1/4"W x 1 3/4"H | 1 3/4"W x 2 1/4"H | 1/4" | 2 1/4" |
| | 1 1/4" | 1 1/2"W x 2"H | 2"W x 2 1/2"H | 1/4" | 2 1/2" |
| | 1 1/2" | 2"W x 2 1/2"H | 2 1/2"W x 3"H | 1/4" | 3" |
| | 2" | 2 1/2"W x 3"H | 3"W x 3 1/2"H | 1/4" | 3 1/2" |
| 353 Forged Ring | 1/2" | 1" | 1 1/2" | 1/4" | 1 9/16" |
| | 3/4" | 1 1/4" | 1 3/4" | 1/4" | 1 13/16" |
| | 1" | 1 1/2" | 2" | 1/4" | 2 1/16" |
| | 1 1/4" | 1 3/4" | 2 1/4" | 1/4" | 2 1/4" |
| | 1 1/2" | 2" | 2 1/2" | 1/4" | 2 9/16" |
| | 2" | 2 1/2" | 3" | 1/4" | 3 1/16" |
| | 2 1/2" | 3" | 3 1/2" | 1/4" | 3 5/8" |
| | 3" | 3 1/2" | 4" | 1/4" | 4 1/16" |
| 3 1/2" ** | 4" | 4 1/2" | 1/4" | 4 9/16" | |
| 354 Hook Ring | 1/2" | 1" | 1 1/2" | 1/4" | 1 1/2" |
| | 3/4" | 1 1/4" | 1 3/4" | 1/4" | 1 3/4" |
| | 1" | 1 1/2" | 2" | 1/4" | 2" |
| | 1 1/4" | 1 3/4" | 2 1/4" | 1/4" | 2 1/4" |
| | 1 1/2" | 2" | 2 1/2" | 1/4" | 2 1/2" |
| | 2" | 2 1/2" | 3" | 1/4" | 3" |
| | 2 1/2" | 3" | 3 1/2" | 1/4" | 3 1/2" |
| 3" | 3 1/2" | 4" | 1/4" | 4" | |
| 355 Smooth Round Ring with Clip | 1/2" | 1" | 1 1/2" | 1/4" | 2 1/8" |
| | 3/4" | 1 1/4" | 1 3/4" | 1/4" | 2 3/8" |
| | 1" | 1 1/2" | 2" | 1/4" | 2 5/8" |
| | 1 1/4" | 1 3/4" | 2 1/4" | 1/4" | 2 7/8" |
| | 1 1/2" | 2" | 2 1/2" | 1/4" | 3 1/8" |
| | 2" | 2 1/2" | 3" | 1/4" | 3 5/8" |
| | 2 1/2" | 3" | 3 1/2" | 1/4" | 4 1/8" |
| | 3" | 3 1/2" | 4" | 1/4" | 4 5/8" |
| 3 1/2" ** | 4" | 4 1/2" | 1/4" | 5 1/8" | |
| 356 Hammered Round Ring | 1/2" | 1" | 1 1/2" | 1/4" | 1 1/2" |
| | 3/4" | 1 1/4" | 1 3/4" | 1/4" | 1 3/4" |
| | 1" | 1 1/2" | 2" | 1/4" | 2" |
| | 1 1/4" | 1 3/4" | 2 1/4" | 1/4" | 2 1/4" |
| | 1 1/2" | 2" | 2 1/2" | 1/4" | 2 1/2" |
| | 2" | 2 1/2" | 3" | 1/4" | 3" |
| | 2 1/2" | 3" | 3 1/2" | 1/4" | 3 1/2" |
| 3" | 3 1/2" | 4" | 1/4" | 4" | |
| 330 Bypass Ring | 3/4" | 1 1/4" | 1 3/4" | 1/4" | 1 3/4" |
| | 1" | 1 1/2" | 2" | 1/4" | 2" |
| | 1 1/4" | 1 3/4" | 2 1/4" | 1/4" | 2 1/4" |
| | 1 1/2" | 2" | 2 1/2" | 1/4" | 2 1/2" |
| | 2" | 2 1/2" | 3" | 1/4" | 3" |
| 3" | 3 1/2" | 4" | 1/4" | 4" | |

*We recommend the ring's inner diameter to be 1/2" larger than the rod diameter.

**Ring will fit this size rod, but Orion does not carry it in this size.

Swing Arms: Ordering Information

1. Please specify left or right orientation and length with end finial included.
2. Swing arm pricing is for the configurations pictured in the catalog only.
 - a. Swing arm #1093 is shown with a movable finial Product #929MV (page 12), which is an additional charge and is **NOT** included in the swing arm price.
 - b. Swing arm #1094 includes five equally spaced eyelets in the price. Additional eyelets are available. Please add Product #317 for each additional eyelet.
3. Mounting plates are available as R1, R2, and D3 styles, and are interchangeable upon request at no additional cost.
4. Swing arm support brackets are available as shown in the catalog. Please add Product #1099 to the order.
5. Please refer to minimum lengths as specified in the catalog.
6. Measurements are based from the end of the back plate to the outer tip of the finial.
7. Standard projection is 1/2". Please specify Product #1097 for a 3" projection and #1098 for a 6" projection.
8. Any finial can be utilized. Please add the finial price to the swing arm price.
9. All swing arms are hollow.

Swing Arms: Page 21 of Catalog

| Product # / Size | Unit | Iron Art Finishes | | | | Custom Finish | Additional Information |
|--|------|-------------------|-----|-----|-----|---------------|----------------------------------|
| | | A | B | C | D | | |
| 1074 - 1/2" Diameter Round Rods | | | | | | | |
| 12" Length | EACH | 47 | 61 | 66 | 70 | 83 | Max. Weight for 1/2" Dia.: 3lbs. |
| 18" Length | EACH | 55 | 69 | 77 | 83 | 96 | Max. Weight for 1/2" Dia.: 3lbs. |
| 24" Length | EACH | 63 | 80 | 88 | 94 | 110 | Max. Weight for 1/2" Dia.: 3lbs. |
| 30" Length | EACH | 63 | 80 | 88 | 94 | 110 | Max. Weight for 1/2" Dia.: 3lbs. |
| 36" Length | EACH | 68 | 87 | 95 | 102 | 119 | Max. Weight for 1/2" Dia.: 3lbs. |
| 1074A - 3/4" Diameter Round Rods | | | | | | | |
| 12" Length | EACH | 52 | 67 | 73 | 79 | 91 | Max. Weight for 3/4" Dia.: 5lbs. |
| 18" Length | EACH | 59 | 73 | 82 | 86 | 101 | Max. Weight for 3/4" Dia.: 5lbs. |
| 24" Length | EACH | 65 | 84 | 91 | 99 | 115 | Max. Weight for 3/4" Dia.: 5lbs. |
| 30" Length | EACH | 68 | 87 | 95 | 102 | 119 | Max. Weight for 3/4" Dia.: 5lbs. |
| 36" Length | EACH | 75 | 96 | 107 | 113 | 133 | Max. Weight for 3/4" Dia.: 5lbs. |
| 1075 - 3/4" Diameter Round Rods - Minimum Length is 18" | | | | | | | |
| 18" Length | EACH | 102 | 130 | 143 | 153 | 179 | Max. Weight for 3/4" Dia.: 5lbs. |
| 24" Length | EACH | 108 | 137 | 151 | 161 | 188 | Max. Weight for 3/4" Dia.: 5lbs. |
| 30" Length | EACH | 118 | 151 | 165 | 176 | 206 | Max. Weight for 3/4" Dia.: 5lbs. |
| 36" Length | EACH | 125 | 160 | 176 | 189 | 221 | Max. Weight for 3/4" Dia.: 5lbs. |
| 1090 - 5/8" Diameter Twist Hollow Rods | | | | | | | |
| 12" Length | EACH | 68 | 87 | 96 | 103 | 119 | Max. Weight for 5/8" Dia.: 3lbs. |
| 18" Length | EACH | 75 | 96 | 107 | 113 | 133 | Max. Weight for 5/8" Dia.: 3lbs. |
| 24" Length | EACH | 84 | 107 | 117 | 125 | 146 | Max. Weight for 5/8" Dia.: 3lbs. |
| 30" Length | EACH | 89 | 113 | 124 | 133 | 155 | Max. Weight for 5/8" Dia.: 3lbs. |
| 36" Length | EACH | 97 | 123 | 136 | 145 | 169 | Max. Weight for 5/8" Dia.: 3lbs. |

Swing Arms: Page 21 of Catalog (continued)

| Product # / Size | Unit | Iron Art Finishes | | | | Custom Finish | Additional Information |
|--|------|-------------------|------------|------------|------------|---------------|--|
| | | A | B | C | D | | |
| 1091 - 3/4" Diameter Round Rods - Minimum Length is 36" | | | | | | | |
| 36" Length | EACH | 185 | 236 | 259 | 278 | 325 | Max. Weight for 3/4" Dia.: 5lbs. |
| 40" Length | EACH | 193 | 247 | 271 | 291 | 338 | Max. Weight for 3/4" Dia.: 5lbs. |
| 48" Length | EACH | 204 | 260 | 286 | 306 | 356 | Max. Weight for 3/4" Dia.: 5lbs. |
| 1092 3/4" Diameter Round Rods - Minimum Length is 18" | | | | | | | |
| 18" Length | EACH | 146 | 187 | 205 | 221 | 256 | Max. Weight for 3/4" Dia.: 5lbs. |
| 24" Length | EACH | 152 | 193 | 212 | 227 | 265 | Max. Weight for 3/4" Dia.: 5lbs. |
| 30" Length | EACH | 160 | 204 | 224 | 239 | 279 | Max. Weight for 3/4" Dia.: 5lbs. |
| 36" Length | EACH | 167 | 213 | 234 | 251 | 293 | Max. Weight for 3/4" Dia.: 5lbs. |
| 1093 - 1" Diameter Round Rods (Birds not included. Add Product #929MV on page 12) | | | | | | | |
| 12" Length | EACH | 102 | 130 | 143 | 153 | 179 | Max. Weight for 1" Dia.: 5lbs. |
| 18" Length | EACH | 108 | 137 | 151 | 161 | 188 | Max. Weight for 1" Dia.: 5lbs. |
| 24" Length | EACH | 112 | 144 | 158 | 169 | 197 | Max. Weight for 1" Dia.: 5lbs. |
| 30" Length | EACH | 121 | 153 | 168 | 181 | 211 | Max. Weight for 1" Dia.: 5lbs. |
| 36" Length | EACH | 123 | 157 | 172 | 184 | 215 | Max. Weight for 1" Dia.: 5lbs. |
| 1094 - 1/2" Square Solid Rods | | | | | | | |
| 12" Length | EACH | 162 | 206 | 227 | 244 | 284 | Max. Weight for 1/2" Dia.: 3lbs. 5 Eyelets Included |
| 18" Length | EACH | 167 | 213 | 234 | 251 | 293 | Max. Weight for 1/2" Dia.: 3lbs. 5 Eyelets Included |
| 24" Length | EACH | 172 | 221 | 242 | 258 | 302 | Max. Weight for 1/2" Dia.: 3lbs. 5 Eyelets Included |
| 30" Length | EACH | 179 | 227 | 249 | 267 | 311 | Max. Weight for 1/2" Dia.: 3lbs. 5 Eyelets Included |
| 36" Length | EACH | 189 | 239 | 264 | 283 | 329 | Max. Weight for 1/2" Dia.: 3lbs. 5 Eyelets Included |
| 317 | EACH | 16 | 18 | 19 | 20 | 22 | Eyelet Charge |
| 1097 | EACH | 36 | 44 | 48 | 52 | 62 | 3" Projection Bracket |
| 1098 | EACH | 40 | 50 | 56 | 61 | 69 | 6" Projection Bracket |
| 1099 | EACH | 20 | 25 | 27 | 29 | 36 | Support Bracket |

Tiebacks / Swag Holders: Ordering Information

- All finials can be utilized to make tiebacks and swag holders.
Please add product #1087 for "U" Shape Bend (3½" projection), #1088 for Expandable Post Projection (3" to 4½" projection), or #1088FX for Fixed Post Projection (3", 4", or 6½" projections).
- Please specify center facing or vertical orientation of Expandable Post Projection Tieback in the order.
- Please specify left or right orientation of tiebacks and swag holders, as applicable.
- Tiebacks and swag holders can be used as finials.

Tiebacks / Swag Holders: Pages 22 & 23 of Catalog

| Product # | Unit | Iron Art Finishes | | | | Custom Finish | Additional Information |
|-----------|------|-------------------|----|----|-----|---------------|------------------------------------|
| | | A | B | C | D | | |
| 715 | EACH | 38 | 47 | 52 | 57 | 66 | Specify Left or Right |
| 716 | EACH | 48 | 62 | 67 | 71 | 85 | Specify Left or Right |
| 929 TB | EACH | 43 | 55 | 61 | 64 | 75 | Specify Left or Right |
| 933 TB | EACH | 43 | 55 | 61 | 64 | 75 | Only Available as Shown in Catalog |
| 977 | EACH | 41 | 50 | 56 | 61 | 70 | |
| 1003 | EACH | 41 | 50 | 57 | 61 | 70 | |
| 1004 | EACH | 41 | 50 | 57 | 61 | 70 | |
| 1005 | EACH | 57 | 71 | 79 | 85 | 99 | |
| 1006 | EACH | 59 | 73 | 82 | 86 | 101 | Only Available as "U" Shape Bend |
| 1007 | EACH | 57 | 71 | 79 | 85 | 99 | |
| 1008 | EACH | 64 | 83 | 90 | 96 | 112 | |
| 1013 | EACH | 33 | 41 | 45 | 48 | 57 | |
| 1026 | EACH | 44 | 56 | 62 | 66 | 77 | |
| 1031 | EACH | 39 | 48 | 53 | 59 | 67 | |
| 1032 | EACH | 46 | 60 | 65 | 69 | 82 | Only Available as Shown in Catalog |
| 1037 | EACH | 49 | 63 | 69 | 74 | 86 | Specify Left or Right |
| 1039 | EACH | 50 | 65 | 70 | 77 | 89 | Specify Left or Right |
| 1057 | EACH | 50 | 65 | 70 | 77 | 89 | |
| 1058 | EACH | 50 | 65 | 70 | 77 | 89 | |
| 1059 | EACH | 38 | 47 | 52 | 57 | 66 | |
| 1060 | EACH | 38 | 47 | 52 | 57 | 66 | |
| 1061 | EACH | 48 | 62 | 67 | 71 | 85 | |
| 1063 | EACH | 46 | 59 | 64 | 68 | 80 | |
| 1064 | EACH | 43 | 55 | 61 | 64 | 75 | |
| 1065 | EACH | 36 | 44 | 48 | 52 | 62 | Only Available as Shown in Catalog |
| 1066 | EACH | 43 | 55 | 61 | 64 | 75 | |
| 1067 | EACH | 62 | 79 | 86 | 92 | 108 | |
| 1068 | EACH | 50 | 65 | 70 | 77 | 89 | Specify Left or Right |
| 1069 | EACH | 69 | 89 | 97 | 105 | 122 | Specify Left or Right |
| 1070 | EACH | 53 | 68 | 75 | 80 | 94 | Specify Left or Right |
| 1071 | EACH | 53 | 68 | 75 | 80 | 94 | Hand Forged |

Tiebacks / Swag Holders: Page 23 of Catalog (continued)

| Product # | Unit | Iron Art Finishes | | | | Custom Finish | Additional Information |
|------------|------|-------------------|----|----|----|---------------|---|
| | | A | B | C | D | | |
| 1072 | EACH | 49 | 64 | 69 | 74 | 87 | |
| 1073 | EACH | 41 | 50 | 56 | 61 | 70 | |
| 1076 | EACH | 43 | 55 | 61 | 64 | 75 | |
| 1077 | EACH | 43 | 55 | 61 | 64 | 75 | |
| 1078 | EACH | 48 | 63 | 68 | 73 | 86 | |
| 1079 | EACH | 52 | 66 | 71 | 78 | 90 | |
| 1080 | EACH | 52 | 66 | 73 | 78 | 91 | |
| 1081 | EACH | 41 | 50 | 56 | 61 | 70 | Only Available as Shown in Catalog |
| 1082 | EACH | 43 | 55 | 61 | 64 | 75 | |
| 1083 | EACH | 38 | 47 | 52 | 57 | 66 | |
| 1084 | EACH | 45 | 59 | 64 | 68 | 80 | |
| 1085 | EACH | 60 | 75 | 83 | 88 | 103 | |
| 1086 | EACH | 25 | 33 | 37 | 39 | 45 | |
| 1087 | EACH | 23 | 29 | 33 | 36 | 42 | "U" Shape Bend Charge for Finials 3½" Projection |
| 1088 | EACH | 24 | 31 | 34 | 37 | 42 | Expandable Post Projection -¼" thick Charge for Finials: 3"-4½" Projection |
| 1088FX-300 | EACH | 27 | 35 | 37 | 40 | 48 | Fixed Post Projection with Mounting. ½" thick. Plate Charge for Finials: 3"P, 3⅛" Dia. |
| 1088FX-400 | EACH | 27 | 35 | 37 | 40 | 48 | Fixed Post Projection with Mounting. ½" thick. Plate Charge for Finials: 4"P, 3⅛" Dia. |
| 1088FX-650 | EACH | 27 | 35 | 37 | 40 | 48 | Fixed Post Projection with Mounting. ½" thick. Plate Charge for Finials: 6½"P, 3⅛" Dia. |
| 2087 | EACH | 19 | 23 | 25 | 27 | 33 | "U" Shape Bend Tieback |

Batons: Ordering Information

- Batons come with finials as shown in the catalog.
 - Any finial can be utilized. Please add finial price to the baton price.
- Please specify length of the baton in the order. (Length more than 108". Please call for quote.)
- Please specify the hook style as ring or clip in the order. Ring style hooks are available with or without an additional eyelet. Please specify your preference in the order.
- Baton #1017 is ¼" diameter. All other batons are ½" diameter.

Batons: Pages 23 & 60 of Catalog

For All Batons: #1015, #1016, #1017, #1018, #1019, and #1020

| Length | Unit | Iron Art Finishes | | | | Custom Finish | Additional Information |
|----------|------|-------------------|-----|-----|-----|---------------|------------------------|
| | | A | B | C | D | | |
| 12"-24" | EACH | 50 | 64 | 70 | 75 | 86 | |
| 25"-48" | EACH | 58 | 76 | 82 | 90 | 103 | |
| 49"-72" | EACH | 78 | 98 | 108 | 117 | 136 | |
| 73"-84" | EACH | 96 | 122 | 135 | 145 | 170 | |
| 85"-108" | EACH | 118 | 149 | 164 | 176 | 205 | |

Baton #1016 is available as #1014 in Italian Finishes. Please see page 72.

Unique Collection: Ordering Information

- The Bypass System utilizes "C" rings, available as Product #330C. Rings are available as follows:
 - 1" inner diameter for 1/2" rods
 - 1 1/4" inner diameter for 3/4" rods
 - 1 1/2" inner diameter for 1" rods
 - 1 3/4" inner diameter for 1 1/4" rods
 - 2" inner diameter for 1 1/2" rods
 - 2 1/2" inner diameter for 2" rods
 - 4" inner diameter for 3" rods.
- Only straight Round Hollow Rods with 3/4", 1", 1 1/4", 1 1/2", 2", 3" diameters and 1" Square Hollow Rod can be utilized with the Bypass System. Please refer to the rods section in the catalog (page 19), and the price list (page 16).
- Bent rods or rods with elbows can **NOT** be utilized.
- To ensure proper operation:
 - Please utilize brackets from this collection only.
 - Drapes must be heavy enough to keep the eyelet pointed toward the ground (6 o'clock).
 - Rods must not be bowed. Be sure to use enough support brackets.

Unique Collection (Bypass System): Page 24 of Catalog

| Product # | Unit | Iron Art Finishes | | | | Custom Finish | Additional Information |
|---------------------|------|-------------------|-----|------|------|---------------|---|
| | | A | B | C | D | | |
| 318SC | EACH | 29 | 36 | 39 | 41 | 49 | Center Support Bracket Single 3" Projection |
| 318SC-6P | EACH | 33 | 42 | 47 | 50 | 57 | Center Support Bracket Single 6" Projection. Bottom weld |
| 318SCHP | EACH | 29 | 36 | 39 | 41 | 49 | Center Support Horizontal Backplate Bracket. Single 3" Projection. Bottom weld. |
| 318SCHP-6P | EACH | 33 | 42 | 47 | 50 | 57 | Center Support Horizontal Backplate Bracket. Single 6" Projection |
| 319DC | EACH | 55 | 70 | 76 | 83 | 97 | Center Support Bracket Double 3" and 6" Projections |
| 330 (3/4" - 1 1/2") | EACH | 7.5 | 9.5 | 10.5 | 11.5 | 14 | "C" Ring to Match Rod Sizes |
| 330 (2" - 3") | EACH | 8 | 10 | 11 | 12 | 14.5 | "C" Ring to Match Rod Sizes |
| 1028SE | EACH | 27 | 36 | 39 | 41 | 49 | End Bracket / Single 3" Projection. Center weld or Top weld |
| 1028SE-6P | EACH | 33 | 41 | 47 | 50 | 57 | End Bracket / Single 6" Projection |
| 1024DE | EACH | 49 | 63 | 69 | 73 | 86 | End Bracket Double 3" & 6" Projections |

See page 71 for Unique Collection in Italian Finishes.

Oasis Collection: Ordering Information

- Expandable set pricing is for the configurations pictured in the catalog only.
- All sets include rods, finials, and brackets. Please order rings separately.
 - Brackets are the standard bracket #1028 on page 20 of the catalog, with a 3" projection.
 - Rod lengths exclude finials. Please refer to finial specifications in the finial section of the catalog.
- Expandable sets come as a 1" and 7/8" diameter straight Round Hollow Rod combination and can **NOT** be bent.
- Finials are welded on the rods.

Oasis Collection (Expandable Sets): Page 24 of Catalog

| Product Set Lengths | Unit | Iron Art Finishes | | | | Custom Finish | Additional Information |
|--------------------------|------|-------------------|-----|-----|-----|---------------|---------------------------|
| | | A | B | C | D | | |
| Small: 27" - 48" | SET | 145 | 183 | 202 | 215 | 251 | Style as Shown in Catalog |
| Medium: 45" - 82" | SET | 176 | 223 | 246 | 263 | 306 | Style as Shown in Catalog |
| Large: 81" - 118" | SET | 228 | 290 | 319 | 342 | 398 | Style as Shown in Catalog |
| Extra Large: 117" - 154" | SET | 278 | 353 | 389 | 416 | 485 | Style as Shown in Catalog |

Milano Collection: Ordering Information

The Milano Collection is available while supplies last.

1. The Milano Collection is available in 5/8" Hollow Round Rods only.
2. Finials can be utilized to make "U" Shape Bend tiebacks. Please add Product #2087 to the finial price.
3. Brackets #2080 and #2081 are designed for standard wood headrail support.
Please see the image in the catalog (page 25). Brackets are 3/4" wide.

Milano Collection (Roman Shades on Hardware): Page 25 of Catalog

| Product # | Unit | Iron Art Finishes | | | | Custom Finish | Additional Information |
|-----------|------|-------------------|-----|-----|-----|---------------|---|
| | | A | B | C | D | | |
| 2070 | | | | | | | Discontinued |
| 2071 | EACH | 12 | 14 | 16 | 17 | 19 | Interior Fit Only |
| 2072 | EACH | 12 | 14 | 16 | 17 | 19 | Interior Fit Only |
| 2073 | EACH | 14 | 17 | 19 | 20 | 23 | Interior Fit Only |
| 2074 | EACH | 26 | 34 | 37 | 40 | 46 | Interior Fit Only |
| 2075 | EACH | 28 | 37 | 40 | 43 | 50 | Interior Fit Only |
| 2080 | | | | | | | Discontinued |
| 2081 | | | | | | | Discontinued |
| 2082 | EACH | 16 | 20 | 22 | 23 | 27 | Single Bracket / 2" Projection |
| 2083 | EACH | 16 | 20 | 22 | 23 | 27 | Single Bracket / 3" Projection |
| 2084 | EACH | 18 | 22 | 25 | 26 | 31 | Double Bracket 3" and 6" Projections |
| 2087 | EACH | 16 | 20 | 22 | 23 | 27 | "U" Shape Bend Tieback |
| 2088 | EACH | 5.5 | 6.5 | 7.5 | 7.5 | 9.5 | Extended Eyelet Ring |

N/A = Not Available

Fina Collection: Ordering Information

1. Fina Collection finials are available for 1/2" diameter Round Hollow Rods only.
2. Finials are available as exterior fit only.
3. Rod and rings are **NOT** included.

Fina Collection (Thin Line Hardware): Page 25 of Catalog

| Product # | Unit | Iron Art Finishes | | | | Custom Finish | Additional Information |
|-----------|------|-------------------|----|----|----|---------------|--|
| | | A | B | C | D | | |
| 1041 P1 | EACH | 16 | 20 | 22 | 24 | 28 | 1" Projection Bracket. Available in any Italian finishes |
| 1041 P2 | EACH | 20 | 26 | 28 | 30 | 36 | 2" Projection Bracket. Available in any Italian finishes |
| 2010 | EACH | 14 | 17 | 19 | 20 | 24 | Exterior Fit Only |
| 2015 | EACH | 16 | 20 | 22 | 24 | 28 | Exterior Fit Only |
| 2020 | EACH | 19 | 24 | 26 | 28 | 33 | Exterior Fit Only |
| 2025 | EACH | 16 | 20 | 22 | 24 | 28 | Exterior Fit Only |
| 2030 | EACH | 17 | 22 | 24 | 26 | 30 | Exterior Fit Only |
| 2040 | EACH | 14 | 17 | 19 | 20 | 24 | Exterior Fit Only |
| 2050 | EACH | 14 | 17 | 19 | 20 | 24 | Exterior Fit Only |
| 2060 | EACH | 18 | 23 | 25 | 27 | 32 | Exterior Fit Only |
| 2087 | EACH | 16 | 20 | 22 | 24 | 28 | "U" Shape Bend Tieback |

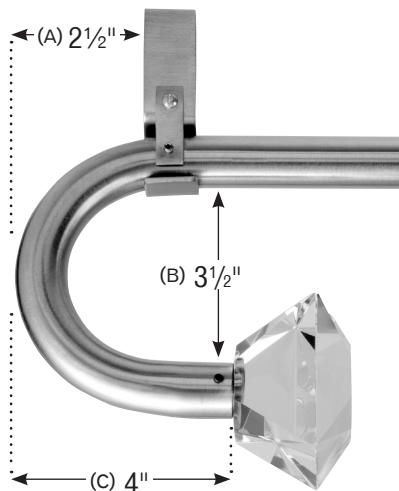
3D Drapery Hardware: Ordering Information

1. Use with single or double rod systems.
 - a. Order your rod length tip to tip.
 - b. Back rods in the double rod system are the same length as the front rod, including their end caps.
2. Works with 1" round hollow rods in smooth or hammered styles.
 - a. Smooth styles available in 36 Iron Art™ finishes or 12 Italian Collection finishes (excludes Polished Chrome).
 - b. Hammered styles available in 36 Iron Art™ finishes.
 - c. Custom finishes available for smooth or hammered styles.
3. Choose from any style of ring. Bypass rings may only be used with smooth style rods.
4. Choose from any style of bracket. Brackets ordered for use with the 3D system will include lids and set screws.
5. Choose from almost any Iron Art™ finial, all Italian finials, and all Bohemia Crystal finials. Because of their size and branch shape, we don't recommend the 3D system for use with Iron Art™ finials #410, #416, #506, #711, #939, #954, #979, and #982, and Village Forge finials #600, #601, #603, and #606.
6. Optional master carrier sets work with center open draperies and rings for complete drapery closure in the front.

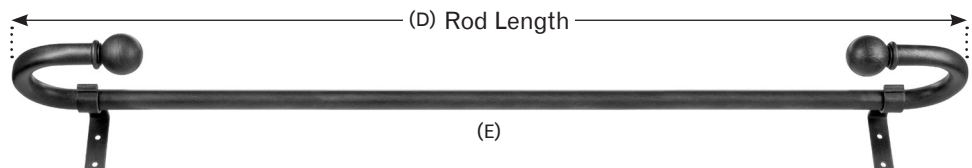
3D Drapery Hardware: Pages 26-29 of Catalog

| Description | Product # | Unit | Price | Sets Include: |
|---|-----------|------|-------|--|
| 3D Single Kit for Iron Art Finishes | 3D-SIA | EACH | 52 | <ul style="list-style-type: none"> • Two 180° U-Bends for one iron rod. • Two straight master carriers for rings. • Four rings (two for each straight carrier). |
| 3D Single Kit for Italian Finishes | 3D-SIT | EACH | 63 | |
| 3D Double Kit for Iron Art Finishes | 3D-DIA | EACH | 72 | <ul style="list-style-type: none"> • Two 180° U-Bends for one iron rod. • Four straight master carriers for rings. • Eight rings (two for each straight carrier). • Two end caps for one back rod. |
| 3D Double Kit for Italian Finishes | 3D-DIT | EACH | 88 | |
| Overlap Master Carrier Set in Iron Art Finishes | MCS-IA | EACH | 24 | <ul style="list-style-type: none"> • One straight master carrier for rings. • One overlap master carrier for rings. • Four rings (two for each carrier). |
| Overlap Master Carrier Set in Italian Finishes | MCS-IT | EACH | 30 | |

3D Drapery Hardware: Measurement Guidelines



- A) The distance from the end of the straight rod to the edge of the curve is 2½".
- B) The U-Bend projection is 3½".
- C) The front face of the U-Bend is 4" long, not including the finial.
- D) Order your rod length tip to tip.
- E) Available in 1" diameter round hollow smooth or hammered styles, single or double rod systems. Back rods in the double rod system are the same length as the front rod, including their end caps.



3D Drapery Panels: Ordering Information

1. For use as a single rod system.
 - a. Order your rod length tip to tip.
 - b. Order your front panel rod extension length up to 24".
2. Works only with 1" Smooth Round Hollow Rods.
 - a. Available in 36 Iron Art™ finishes or 12 Italian Collection finishes (excludes Polished Chrome).
 - b. Custom finishes available.
3. Choose from any style of ring for the front panels.
Use Unique Collection Bypass "C" Rings for functional rear draperies (330C or 7330C).
4. Use Unique Collection Single Bypass End Brackets (1028SE or 7014SE).
Use Unique Collection Single Bypass Support Brackets for additional support (318SC or 7318SC).
5. Choose from almost any Iron Art™ finial, all Italian finials, and all Bohemia Crystal finials. Because of their size and branch shape, we don't recommend the 3D system for use with Iron Art™ finials #410, #416, #506, #711, #939, #954, #979, and #982, and Village Forge finials #600, #601, #603, and #606.
6. Optional master carrier sets work with center open draperies and rings for complete drapery closure in the front.

3D Drapery Panels: Pages 30-31 of Catalog

| Description | Product # | Unit | Price | Sets Include: |
|---|-----------|------|-------|---|
| 3D Panel Kit for Iron Art Finishes | 3D-PIA | EACH | 124 | <ul style="list-style-type: none"> • Two 180° U-Bends for One Iron Rod • Two Front Panel Rod Extensions Up To 24" Long • Two 3D319DC Support Brackets • Two Straight Master Carriers for Rings • Four Bypass "C" Rings (Two for Each Straight Carrier) |
| 3D Panel Kit for Italian Finishes | 3D-PIT | EACH | 223 | <ul style="list-style-type: none"> • One straight master carrier for rings. • One overlap master carrier for rings. • Four rings (two for each carrier). |
| Overlap Master Carrier Set in Iron Art Finishes | MCS-IA | EACH | 24 | |
| Overlap Master Carrier Set in Italian Finishes | MCS-IT | EACH | 30 | |

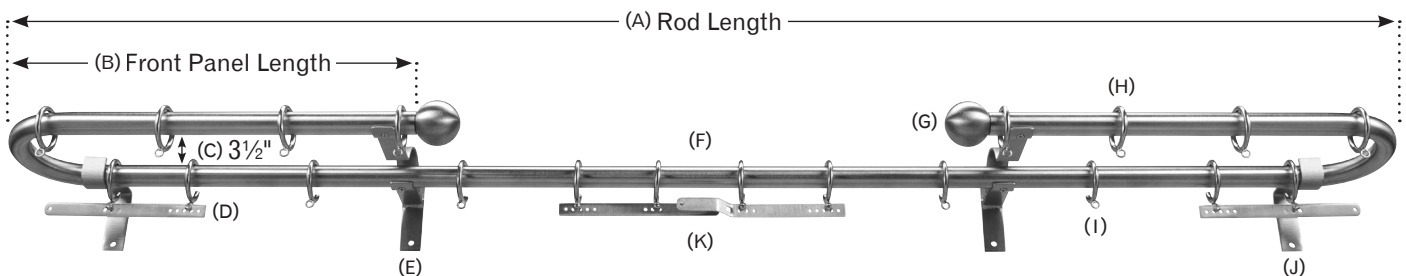
3D Drapery Panels: Measurement Guidelines

Measurement Guidelines:

- A) Order your rod length tip to tip.
- B) Order your front panel rod extension length up to 24".
- C) The U-Bend projection is 3½".
- D) Two Straight Master Carriers and four Bypass "C" Rings are included in the set.
- E) Two 3D319DC Support Brackets are included in the set.

Order These in Addition to the Kit:

- F) 1" diameter Smooth Round Hollow Rod
- G) Finials
- H) Rings for front panel
- I) Unique Collection Bypass "C" Rings for rear draperies (330C or 7330C)
- J) Unique Collection Bypass End Brackets (1028SE or 7014SE)
- K) Optional Overlap Master Carrier Set



Tropical Collection: Ordering Information

The Tropical Collection is available while supplies last.

FINIALS (Page 32 of the catalog)

- Any finial can be utilized for making a "U" Shape Bend tieback. Please add Product #9060 to the order.

CORNICES (Page 32 of the catalog)

- Cornices can be fabricated in 3½" and 5½" height only, and can **NOT** be bent.
- For additional details please refer to the Tuscany Collection (Decorative Metal Cornices) ordering information (page 38).

RODS (Page 33 of the catalog)

- Rods can be bent. Please add #9020BT or #9022BT. Please send a template for approval to bend 2" dia. rods.
- The Bamboo Swirl Rod (#9022) is decorative only, and is not meant to be used with rings nor with panels that will be moved.
- The Bamboo Swirl Rod (Product #9022) can be bent. Please add Product #9022BT to the order.
Please send a template for approval to bend 2" diameter rods.

SWING ARMS (Page 33 of the catalog)

- Swing arms are supplied with a bamboo cap finial (Product #9004) only.
- Please specify the length with the finial included.
- The standard projection is ½". Please add Product #1097 (page 25) for a 3" projection or Product #1098 (page 25) for a 6" projection.
- Swing arm support brackets are available as shown in the catalog. Please add Product #1099 (page 25) to the order.

BATONS (Page 33 of the catalog)

- Please specify hook style as ring or clip in the order.
- Batons are finished at the end as shown. No finials are included.

BRACKETS (Page 33 of the catalog)

- Brackets are available in 3" projection (Product #9010), 6" projection (Product #9011), double (3"/6") projection (Product #9012), and traverse (Product #1263).

RINGS (Page 33 of the catalog)

- There are two types of bamboo rings; round (Product #9025) and flat (Product #9029).

FINISHES (Page 33 of the catalog)

- Tropical Collection finishes are only available for this collection.

Tropical Collection (Bamboo on Iron): Pages 32 & 33 of Catalog

| Product # | Unit | Iron Art Finishes | | | | Tropical Finishes | Custom Finish | Additional Information |
|----------------------------------|------|-------------------|-----|-----|-----|-------------------|---------------|---|
| | | A | B | C | D | | | |
| 1263ST6 | EACH | 32 | 40 | 44 | 47 | 44 | 55 | Single Traverse / Rod Combination 6" Projection / Light Drapes |
| 1263DT | EACH | 34 | 43 | 47 | 50 | 47 | 59 | Double Traverse / Rod Combination: 4½"- 5½" and 7½" Projections / Light Drapes |
| 8006 | EACH | 24 | | | | | | Tropical Bamboo Finish Selector Set |
| 9000 | EACH | 121 | 154 | 169 | 182 | 169 | 212 | Iron Finial / Interior Fit Only |
| 9001 | EACH | 108 | 137 | 151 | 162 | 151 | 189 | Iron Finial / Interior Fit Only |
| 9002 | EACH | 106 | 135 | 148 | 158 | 148 | 185 | Iron Finial / Interior Fit Only |
| 9004 | EACH | 25 | 32 | 35 | 38 | 35 | 44 | Iron Finial / Interior Fit Only |
| 9005 | EACH | 50 | 64 | 71 | 76 | 71 | 88 | Iron Finial / Interior Fit Only |
| 9010 | EACH | 40 | 51 | 56 | 60 | 56 | 70 | Single Bracket / 3" Projection |
| 9011 | EACH | 42 | 54 | 59 | 63 | 59 | 74 | Single Bracket / 6" Projection |
| 9012 | EACH | 63 | 80 | 88 | 95 | 88 | 110 | Double Bracket 3" and 6" Projections |
| 9020 Straight Hollow Rods | | | | | | | | |
| ¾" Dia. | FOOT | 25 | 32 | 35 | 38 | 35 | 44 | Can be Bent |
| 1" Dia. | FOOT | 27 | 35 | 38 | 41 | 38 | 48 | Can be Bent |
| 1¼" Dia. | FOOT | 29 | 37 | 41 | 44 | 41 | 51 | Can be Bent |
| 1½" Dia. | FOOT | 34 | 43 | 47 | 50 | 47 | 59 | Can be Bent |
| 2" Dia. | FOOT | 38 | 48 | 53 | 57 | 53 | 66 | Template Approval Required to Bend |
| 9020CV | FOOT | 28 | 28 | 28 | 28 | 28 | 28 | Product #9020 Rod Curve Charge |

Tropical Collection (Bamboo on Iron): Pages 32 & 33 of Catalog

| Product # | Unit | Iron Art Finishes | | | | Tropical Finishes | Custom Finish | Additional Information |
|--|------|-------------------|-----|-----|-----|-------------------|---------------|--|
| | | A | B | C | D | | | |
| 9022 Decorative Rods - Bamboo Swirl | | | | | | | | |
| ¾" Dia. | FOOT | 42 | 54 | 59 | 63 | 59 | 74 | Can be Bent |
| 1" Dia. | FOOT | 44 | 56 | 62 | 66 | 62 | 77 | Can be Bent |
| 1¼" Dia. | FOOT | 46 | 59 | 65 | 69 | 65 | 81 | Can be Bent |
| 1½" Dia. | FOOT | 48 | 62 | 68 | 72 | 68 | 85 | Can be Bent |
| 2" Dia. | FOOT | 50 | 64 | 71 | 76 | 71 | 88 | Template Approval Required to Bend |
| 9022CV | FOOT | 32 | 32 | 32 | 32 | 32 | 32 | Product #9022 Rod Curve Charge |
| 9025 | EACH | 9 | 11 | 12 | 13 | 12 | 15 | Round Ring / ⅜" Thick 1⅜", 1⅞", 2½", and 3" Inner Diameters |
| 9029 | EACH | 11 | 13 | 15 | 16 | 15 | 18 | Flat Ring / ¾" Wide 1⅜", 1⅞", 2½", and 3" Inner Diameters |
| 9040S | FOOT | 84 | 107 | 118 | 126 | 118 | 147 | Decorative Cornice 3½" High |
| 9040D | FOOT | 116 | 147 | 162 | 173 | 162 | 202 | Decorative Cornice 5½" High |
| 9046 | FOOT | 53 | 67 | 74 | 79 | 74 | 92 | Swing Arm |
| 9050 | EACH | 84 | 107 | 118 | 126 | 118 | 147 | 38" Baton |
| 9060 | EACH | 19 | 24 | 26 | 28 | 26 | 33 | "U" Shape Bend Tieback |
| 9003 | | | | | | | | Discontinued |

Burgundy Collection: Ordering Information

1. Templates need to be provided with orders for bent rods. Please specify if bracket deductions are needed. If not specified, template will be used as rod size.
2. Products #280, #281, #282, and #283 are only available as shown in the catalog and can **NOT** be bent.
3. Products #252, #253, and #255 can be bent. Please add #286 for the bending charge (per foot) to the order.
4. Standard returns are 3" and 6". Other return sizes are available upon request.
5. Finials can be utilized with Products #252, #253, #254, #280, #281, #282, #283, #284, and #285 with ¾" diameter and above rods. Please order finials separately.
6. Mounting plates are included in all styles except #252, #253, #254, and #254B. Please order brackets separately.
7. Products #284 and #285 can be configured to any length, and include end brackets in the pricing. Any center support brackets required must be ordered separately.
8. 264H (hammered) is not offered with "C" Rings - ByPass System.

Burgundy Collection (Decorative Rods): Pages 34 & 35 of Catalog

| Product # | Unit | Iron Art Finishes | | | | Custom Finish | Additional Information |
|-----------|------|-------------------|----|----|-----|---------------|----------------------------------|
| | | A | B | C | D | | |
| 251 | FOOT | 55 | 70 | 77 | 83 | 96 | Mounting Plates Included |
| 251B | FOOT | 65 | 84 | 92 | 100 | 115 | Bent / Mounting Plates Included |
| 252 | FOOT | 44 | 56 | 62 | 65 | 77 | Order Brackets Separately |
| 253 | FOOT | 36 | 45 | 49 | 53 | 63 | Order Brackets Separately |
| 254 | FOOT | 42 | 52 | 59 | 62 | 71 | Order Brackets Separately |
| 254B | FOOT | 52 | 66 | 73 | 79 | 91 | Bent / Order Brackets Separately |
| 255 | FOOT | 44 | 56 | 62 | 65 | 77 | Mounting Plates Included |
| 256 | FOOT | 39 | 48 | 53 | 59 | 66 | Mounting Plates Included |
| 256B | FOOT | 44 | 56 | 62 | 65 | 77 | Bent / Mounting Plates Included |
| 257 | FOOT | 49 | 63 | 69 | 74 | 86 | Mounting Plates Included |

Burgundy Collection (Decorative Rods): Pages 34 & 35 of Catalog (continued)

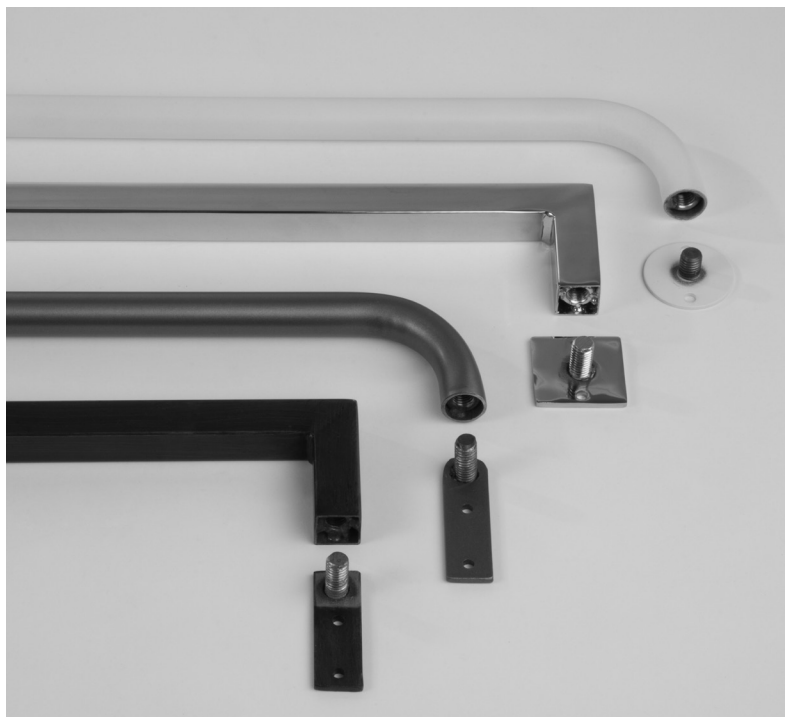
| Product # | Unit | Iron Art Finishes | | | | Custom Finish | Additional Information |
|-------------|------|-------------------|-----|-----|-----|---------------|--|
| | | A | B | C | D | | |
| 257B | FOOT | 61 | 77 | 85 | 90 | 106 | Bent / Mounting Plates Included |
| 264R-S-RND | FOOT | 48 | 59 | 66 | 71 | 83 | Single Round Rod with Rnd Socket |
| 264R-D-RND | FOOT | 59 | 75 | 84 | 90 | 105 | Double Round Rod with Rnd Socket |
| 264R-S-HRND | FOOT | 63 | 77 | 86 | 93 | 108 | Single Hammered Rod with Rnd Socket |
| 264R-D-HRND | FOOT | 69 | 108 | 118 | 125 | 146 | Double Hammered Rod with Rnd Socket |
| 264S-S-SQ | FOOT | 48 | 59 | 66 | 71 | 83 | Single Square Rod with Square Socket |
| 264S-D-SQ | FOOT | 59 | 75 | 84 | 90 | 105 | Double Square Rod with Square Socket |
| 264V-S-RND | FOOT | 48 | 59 | 66 | 71 | 83 | Single Round Rod with Vertical Socket |
| 264V-D-RND | FOOT | 59 | 75 | 84 | 90 | 105 | Double Round Rod with Vertical Socket |
| 264V-S-HRND | FOOT | 63 | 77 | 86 | 93 | 108 | Single Hammered Rod with Rnd Socket |
| 264V-D-HRND | FOOT | 69 | 108 | 118 | 125 | 146 | Double Hammered Rod with Rnd Socket |
| 264V-S-SQ | FOOT | 48 | 59 | 66 | 71 | 83 | Single Square Rod with Vertical Socket |
| 264V-D-SQ | FOOT | 59 | 75 | 84 | 90 | 105 | Double Square Rod with Vertical Socket |
| 280 | EACH | 520 | 664 | 728 | 780 | 908 | Mounting Plates Included |
| 281 | EACH | 424 | 541 | 594 | 635 | 742 | Mounting Plates Included |
| 282 | EACH | 397 | 506 | 554 | 595 | 695 | Mounting Plates Included |
| 283 | EACH | 329 | 418 | 460 | 491 | 574 | Mounting Plates Included |
| 284 | FOOT | 59 | 73 | 82 | 86 | 101 | Order Center Support Brackets Separately |
| 285 | FOOT | 59 | 73 | 82 | 86 | 101 | Order Center Support Brackets Separately |
| 286 | EACH | 44 | 44 | 44 | 44 | 44 | Bend Charge for #252, #253, & #255 |

* #264 Rods with round or square Miter Returns require rings 1/4" larger than standard inside diameter.

** 3/4" to 2" Round Hollow Rods included in the price for Products #264, #264D, #280, #281, #282, #283, #284, and #285.

Order rings separately. Rods with Returns #264 and #264D may also use Square Hollow Rods included in the price.

See note below.



Widths given for Rods with Returns (#264, #264D & #7007) will include sockets. If you prefer to give the Face Width, please be sure to specify this is the dimension you are providing in your order. If using vertical plates instead, the plates are the width of the rod diameter. Socket diameter will vary as per rod size.

Standard returns are 3" and 6". If not specified, 3" will be provided. Other return sizes are available upon request.

Rods with Returns for Square Hollow Rods are mitered and welded to form corners.

Round rods can also be mitered upon request. Add product #307 per miter.

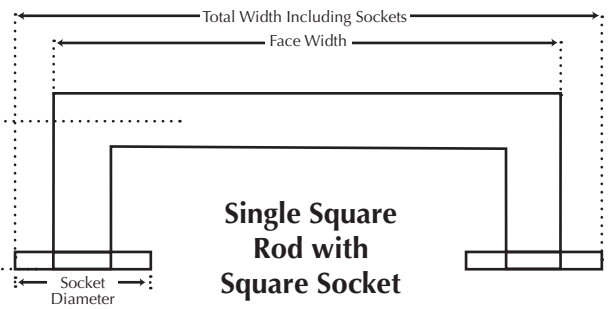
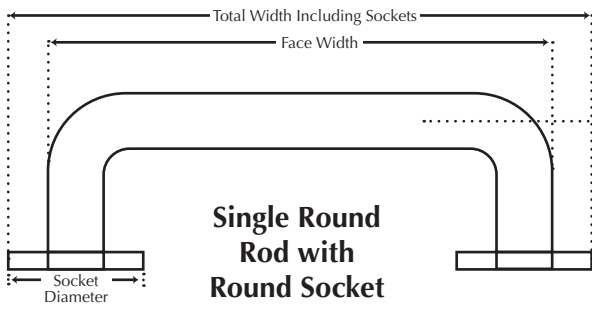
Hollow Hammered rods with Returns can't be used with C-rings or bypass brackets.

Double rods with returns use same diameter rod in front and back.

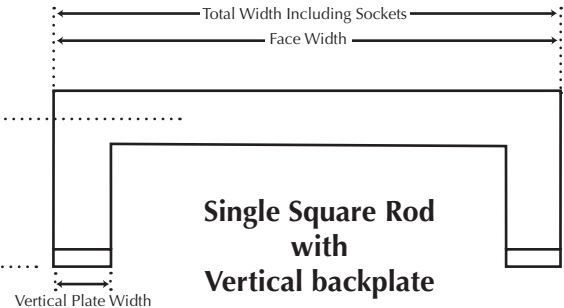
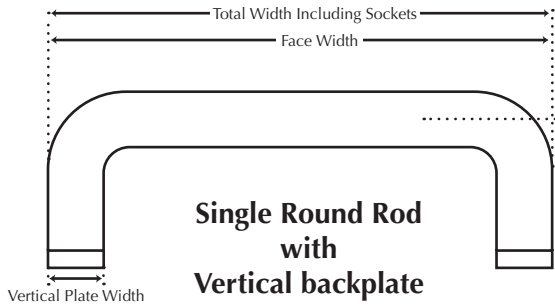
Round, Square, Single Vertical Sockets are screwed in (not welded) on each return.

Spliced rods with returns will automatically have the connector welded to one side. Please specify on order if loose connector is needed.

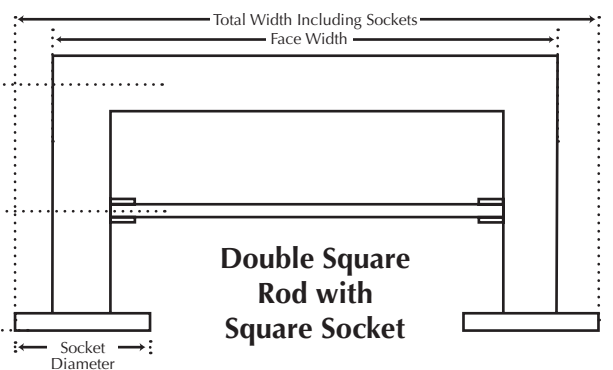
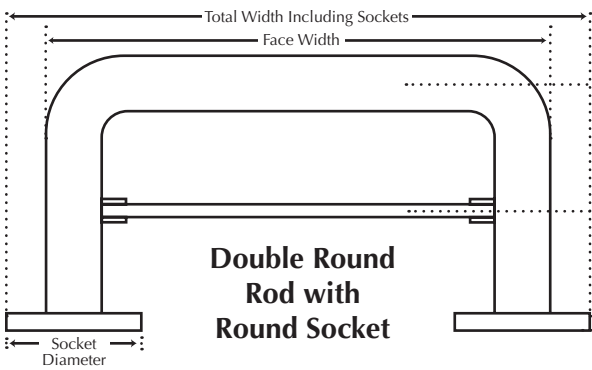
| Rod Diameter | Socket Diameter | Vertical Plate Height |
|--------------|-----------------|-----------------------|
| 1/2" | 1 1/2" | 3" |
| Up to 1" | 2" | 3" |
| 1 1/4" | 2 1/4" | 3 1/2" |
| 1 1/2" | 2 1/2" | 3 1/2" |
| 2" | 3" | 4" |



Center of Rod
Standard
3" or 6"
Return

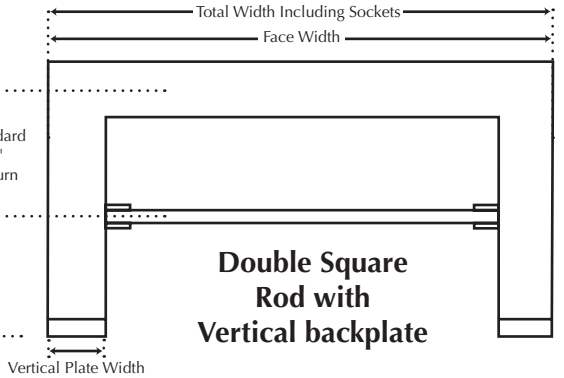
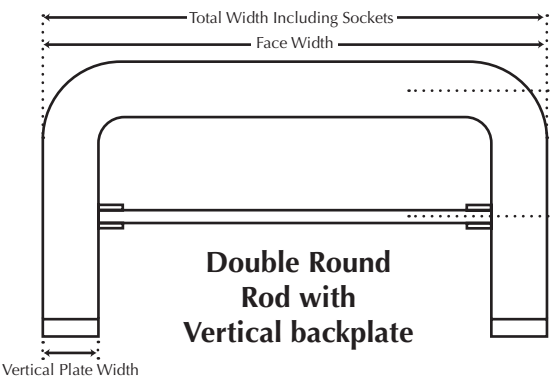


Center of Rod
Standard
3" or 6"
Return



Center of Rod
Standard
6"
Return

Center of Rod
Standard
3"
Return



Center of Rod
Standard
6"
Return

Center of Rod
Standard
3"
Return

Mediterranean Collection: Ordering Information

1. Product includes mounting plates with three options. Please specify mounting plate selection in the order.
 - a. Wall Mounting Plate, with 3" to 5" expandable projection - use an L bracket.
 - b. Wood Duster Mounting Plate.
 - c. Flush Mount against the wall.
2. To reduce the weight of the product, the Mediterranean Collection is fabricated in aluminum.

Mediterranean Collection (Decorative Crowns): Page 36 of Catalog

| Product # | Unit | Iron Art Finishes | | | | Custom Finish | Additional Information |
|-----------|------|-------------------|-----|-----|-----|---------------|------------------------|
| | | A | B | C | D | | |
| 4001 | EACH | 235 | 300 | 330 | 353 | 413 | Servena |
| 4002 | EACH | 189 | 241 | 264 | 284 | 331 | Castilla |
| 4003 | EACH | 184 | 234 | 257 | 276 | 322 | Camilla |
| 4004 | EACH | 128 | 163 | 179 | 191 | 224 | Sofia |
| 4005 | EACH | 191 | 245 | 269 | 287 | 334 | Mallorca |
| 4006 | EACH | 197 | 250 | 276 | 295 | 344 | Valencia |
| 4007 | EACH | 140 | 180 | 197 | 211 | 246 | Minerva |
| 4008 | EACH | 212 | 270 | 297 | 319 | 371 | Isabelle |
| 4009 | EACH | 233 | 297 | 326 | 349 | 407 | Asha |
| 4010 | EACH | 233 | 297 | 326 | 349 | 407 | Seville |
| 4011 | EACH | 233 | 297 | 326 | 349 | 407 | Morning Glory |

Vienna Collection: Ordering Information

1. Please specify measurements from tip to tip.
2. 3" or 6" projection mounting plates and 5 equally space knobs are included. Please specify projection in your order. For additional knobs, please add Product #313 to the order.
3. Please specify left or right orientation of the decorative scroll if applicable.
4. Please refer to minimum and maximum lengths as specified.

Vienna Collection (Decorative Scrolls): Page 36 of Catalog

| Product # | Unit | Iron Art Finishes | | | | Custom Finish | Additional Information |
|-----------|------|-------------------|-----|-----|-----|---------------|--|
| | | A | B | C | D | | |
| 250 | FOOT | 255 | 326 | 356 | 382 | 445 | Min. Length: 16" / Specify Left or Right |
| 266 | FOOT | 191 | 244 | 268 | 287 | 334 | Min. Length: 17" / Max. Length: 48" Specify Left or Right |
| 267 | FOOT | 280 | 357 | 393 | 420 | 490 | Min. Length: 27" / Max. Length: 48" Specify Left or Right |
| 268 | FOOT | 293 | 374 | 411 | 440 | 512 | Min. Length: 16" / Specify Left or Right |
| 269 | FOOT | 293 | 374 | 411 | 440 | 512 | Min. Length: 16" / Specify Left or Right |
| 270 | FOOT | 306 | 391 | 430 | 459 | 535 | Minimum Length: 16" |
| 313 | EACH | 12 | 14 | 16 | 18 | 20 | Additional Knob |

Renaissance Collection: Ordering Information

1. Pricing for this product is by the panel. Please specify mounting plate selection in the order.
2. Product is shipped as unconnected panels. Connectors are provided for assembly.
3. Product includes mounting plates with three options:
 - a. Wall Mounting Plate, with 3" to 5" expandable projection.
 - b. Wood Duster Mounting Plate.
 - c. Flush Mount (**Connectors are not provided. Simply push the panels together upon installation.**)
4. Decorative cornices can be customized in length by cutting panels. Please add the Product #9131 charge to the order. Any cut panel is charged as a full panel.
 - a. We will not be liable for any design considerations when customizing decorative cornices.
If the location of the cut on the panel is vital, please provide a drawing for our production staff to follow.
5. All styles are available with returns and mounting plates. Add Product #9130 with the order.
Minimum projection available is 3"; maximum projection available is 6". Specify projection when ordering.
6. To reduce the weight of the product, the Renaissance Collection is fabricated in aluminum.

Renaissance Collection: Page 37 of Catalog





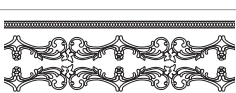




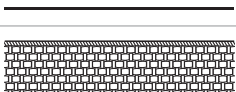


| Product # | Unit | Iron Art Finishes | | | | Custom Finish | Additional Information |
|-----------|-------|-------------------|-----|-----|-----|---------------|----------------------------------|
| | | A | B | C | D | | |
| 9125 | PANEL | 123 | 154 | 172 | 191 | 222 | Cathedral / Panel Length: 26½" |
| 9126 | PANEL | 109 | 137 | 153 | 169 | 197 | Pontalba / Panel Length: 25¼" |
| 9127 | PANEL | 109 | 137 | 153 | 169 | 197 | New Orleans / Panel Length: 27½" |
| 9128 | PANEL | 129 | 161 | 180 | 200 | 232 | Gothic / Panel Length: 27¾" |
| 9129 | PANEL | 129 | 161 | 180 | 200 | 232 | Florence / Panel Length: 27¼" |
| 9130 | PANEL | 82 | 102 | 113 | 126 | 146 | Return with Mounting Plate |
| 9131 | PANEL | 42 | 42 | 42 | 42 | 42 | Cutting Charge |

Tuscany Collection: Ordering Information

CORNICES HAVE A NO RETURN POLICY AND CAN NOT BE RETURNED FOR CREDIT.

1. Cornice pricing is per foot; please include returns when calculating length.
2. Cornices are available with or without a wood duster. Listed prices are without a wood duster.
3. The standard wood duster is available as Product #8046 with projections of 3½", 5½", and 7½" only. Please specify the projection in your order.
4. A custom wood duster is available as Product #8047 in any projection up to 12". Please specify the projection in your order.
5. Cornices without a wood duster are available in any projection up to 12".
6. Cornices include "L" brackets spaced approximately 48" apart at no additional cost.
7. Cornices are manufactured as one piece, and cannot be spliced. Maximum length for FedEx/UPS shipment is 102". All lengths over 102" must be shipped by common carrier (truck line). Please note residential truck deliveries are restricted to 24' (288").
8. Cornices are available for bay windows. Please add Product #8044/#8044CV as the bending/curve charge for single cornices, and Product #8045/#8045CV as the bending/curve charge for double cornices.
9. Cornice heights can be fabricated: Narrow (27/8"-37/8") - up to triple height; Medium (4"-5½") - double height. Design #8025 is available only as single height.
10. Single small cornices, 2 7/8", 3 3/8" 3 ½" or 3 ¾" can be tripled.
11. Cornices are compatible with an iron rod set, cord/manual traversing, or Somfy Motorization. Rods and tracks are finished to match the cornice. The minimum projection when ordering is 5½". Please specify the projection in your order. Also, please specify cord length, cord placement (left or right), and draw (left stack,

Tuscany Collection: Pages 38-41 of Catalog

| Product # | Unit | Iron Art Finishes | | | | Custom Finish | Additional Information | Sample Pattern |
|-----------|------|-------------------|-----|-----|-----|---------------|---------------------------------------|---|
| | | A | B | C | D | | | |
| 8021 | FOOT | 66 | 84 | 92 | 99 | 116 | Acanthus / Single / Height: 3½" |  |
| 8022 | FOOT | 80 | 102 | 112 | 120 | 140 | Acanthus / Double / Height: 7" |  |
| 8023 | FOOT | 66 | 84 | 92 | 99 | 116 | Tulip / Single / Height: 3½" |  |
| 8024 | FOOT | 80 | 102 | 112 | 120 | 140 | Tulip / Double / Height: 7" |  |
| 8025 | FOOT | 67 | 85 | 94 | 100 | 117 | Hammered / Single / Height: 8" |  |
| 8026 | FOOT | 58 | 74 | 81 | 87 | 101 | Baroque / Single / Height: 3¾" |  |
| 8027 | FOOT | 77 | 98 | 108 | 116 | 135 | Baroque / Double / Height: 6¾" |  |
| 8028 | FOOT | 58 | 74 | 81 | 87 | 101 | Embossed / Single / Height: 27/8" |  |
| 8029 | FOOT | 77 | 98 | 108 | 116 | 135 | Embossed / Double / Height: 5¾" |  |
| 8030 | FOOT | 61 | 77 | 85 | 91 | 106 | Bud Branch / Single / Height: 3½" |  |
| 8031 | FOOT | 80 | 102 | 112 | 120 | 140 | Bud Branch / Double / Height: 7" |  |
| 8032 | FOOT | 61 | 77 | 85 | 91 | 106 | Spanish Scroll / Single / Height: 3½" |  |
| 8033 | FOOT | 80 | 102 | 112 | 120 | 140 | Spanish Scroll / Double / Height: 7" | |
| 8034 | FOOT | 61 | 77 | 85 | 91 | 106 | Spring Leaf / Single / Height: 3¾" | |
| 8035 | FOOT | 80 | 102 | 112 | 120 | 140 | Spring Leaf / Double / Height: 7½" | |
| 8036 | FOOT | 58 | 74 | 81 | 87 | 101 | Sea Shore/ Single / Height: 3¾" | |
| 8037 | FOOT | 68 | 86 | 95 | 102 | 119 | Basket Weave / Single / Height: 5½" | |

Tuscany Collection: Pages 38-41 of Catalog (continued)

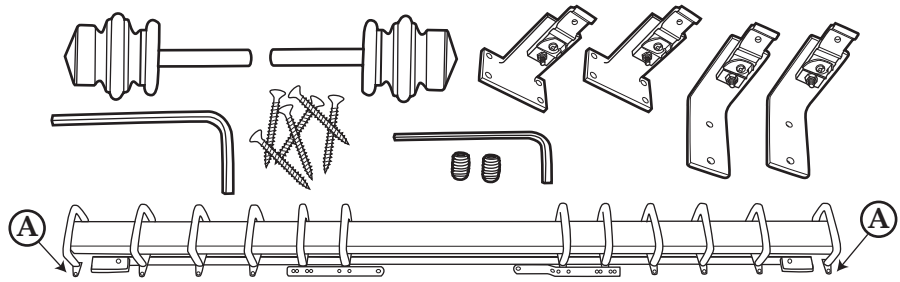
| Product # | Unit | Iron Art Finishes | | | | Custom Finish | Additional Information | Sample Pattern |
|-----------|------|-------------------|-----|-----|-----|---------------|--|----------------|
| | | A | B | C | D | | | |
| 8055 | FOOT | 58 | 74 | 81 | 87 | 101 | Infinite Geometry / Single / Height: 3 ⁵ / ₈ " | |
| 8056 | FOOT | 72 | 91 | 100 | 107 | 125 | Infinite Geometry / Double / Height: 7 ¹ / ₄ " | |
| 8057 | FOOT | 63 | 80 | 88 | 94 | 110 | Classic / Single / Height: 3 ¹ / ₂ " | |
| 8058 | FOOT | 77 | 98 | 108 | 116 | 135 | Classic / Double / Height: 7" | |
| 8059 | FOOT | 58 | 74 | 81 | 87 | 101 | Royal Road / Single / Height: 3 ¹ / ₂ " | |
| 8060 | FOOT | 72 | 91 | 100 | 107 | 125 | Royal Road / Double / Height: 7" | |
| 8061 | FOOT | 61 | 77 | 85 | 91 | 106 | Bamboo Delight / Single / Height: 4 ¹ / ₈ " | |
| 8062 | FOOT | 80 | 102 | 112 | 120 | 140 | Bamboo Delight / Double / Height: 8 ¹ / ₄ " | |
| 8063 | FOOT | 61 | 77 | 85 | 91 | 106 | Sunbursts / Single / Height: 4 ¹ / ₈ " | |
| 8064 | FOOT | 80 | 102 | 112 | 120 | 140 | Sunbursts / Double / Height: 8 ¹ / ₄ " | |
| 8065 | | | | | | | Discontinued | |
| 8066 | | | | | | | Discontinued | |
| 8067 | FOOT | 61 | 77 | 85 | 91 | 106 | Olive Branches / Single / Height: 4 ³ / ₈ " | |
| 8068 | FOOT | 80 | 102 | 112 | 120 | 140 | Olive Branches / Double / Height: 8 ³ / ₄ " | |
| 8069 | FOOT | 61 | 77 | 85 | 91 | 106 | Emblem / Single / Height: 4 ¹ / ₄ " | |
| 8070 | FOOT | 80 | 102 | 112 | 120 | 140 | Emblem / Double / Height: 8 ¹ / ₄ " | |
| 8071 | FOOT | 61 | 77 | 85 | 91 | 106 | Swirls / Single / Height: 4 ¹ / ₈ " | |
| 8072 | FOOT | 80 | 102 | 112 | 120 | 140 | Swirls / Double / Height: 8 ¹ / ₄ " | |
| 8073 | | | | | | | Discontinued | |
| 8074 | | | | | | | Discontinued | |
| 8075 | FOOT | 66 | 84 | 92 | 99 | 116 | Pyramids / Single / Height: 6" | |
| 8077 | FOOT | 72 | 91 | 100 | 107 | 125 | Lattice Weave / Single / Height: 6 ¹ / ₈ " | |
| 8079 | FOOT | 66 | 84 | 92 | 99 | 116 | Mosaics / Single / Height: 6" | |
| 8044 | EACH | 34 | 34 | 34 | 34 | 34 | Bend Charge / Single Cornice | |
| 8045 | EACH | 46 | 46 | 46 | 46 | 46 | Bend Charge / Double Cornice | |
| 8044CV | FOOT | 28 | 28 | 28 | 28 | 28 | Curve Charge / Single Cornice | |
| 8045CV | FOOT | 38 | 38 | 38 | 38 | 38 | Curve Charge / Double Cornice | |
| 8046 | FOOT | 18 | 22 | 24 | 28 | 32 | Standard Wood Duster | |
| 8047 | FOOT | 32 | 38 | 42 | 46 | 52 | Custom Wood Duster | |

DESIGNERS' CHOICE TRAVERSING RODS

Installation Guide

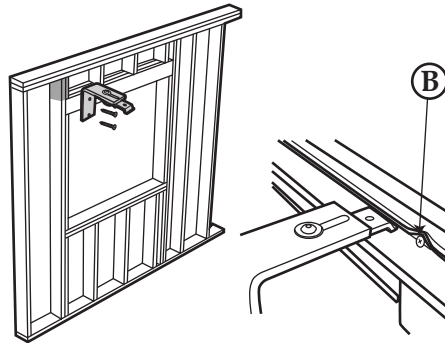
1. Unwrap and check all parts.
Parts will vary by order.

When ordering with rings, two stationary rings (A) are placed on each end for center open systems, one ring is placed on the stack side for one-way draw systems.

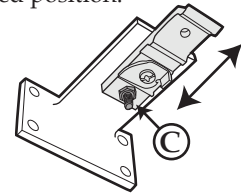


2. Designers' Choice hardware should be installed in wall studs where possible. We suggest using a density analyzer to determine stud locations.

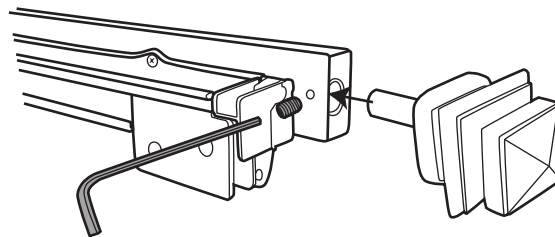
- (a) If installing in wall without stud, use heavy duty hollow wall anchors (e.g., Hillman #370012) or toggle bolts. We recommend ordering extra center supports when hollow wall anchors are being used.
- (b) Make sure support brackets do not line up with fascia screws (B).
- (c) Use level to make sure all brackets are on the same horizontal plane.



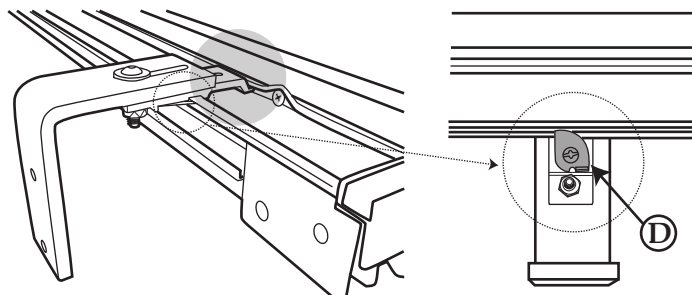
3. Adjust projection of bracket clip by loosening the screw nut (C). Adjust bracket projection as needed. Retighten the screw nut to hold the clip in desired position.



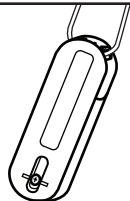
4. Install the finial in pre-drilled hole in rod. Use enclosed wrench to tighten finial screw.



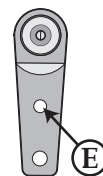
5. Clip traversing track onto the brackets on the wall; make sure track is securely in brackets. Turn the bracket clip (D) to lock the bracket with the track.



6. Test the cord to assure that rod draws smoothly. Install the floor tension pulley for the cord.



7. If installing without rings, please hang drapery from the top hole of the glide (E).



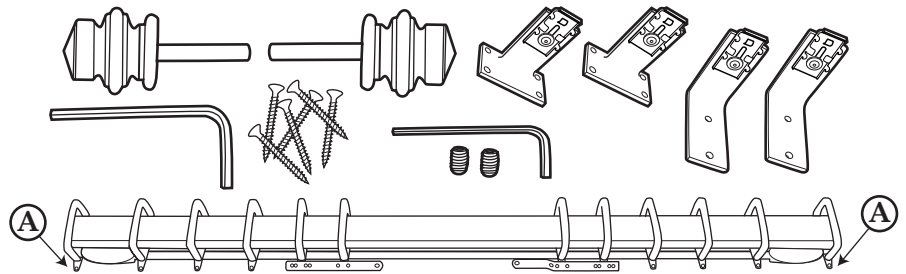
We recommend using a professional installer. While installation hardware is included, it may not be appropriate for your specific wall material or individual installation. Company will not assume any responsibility for damages incurred by inadequately supported or improperly mounted hardware.

TRAVERSING WITH SOMFY

Installation Guide

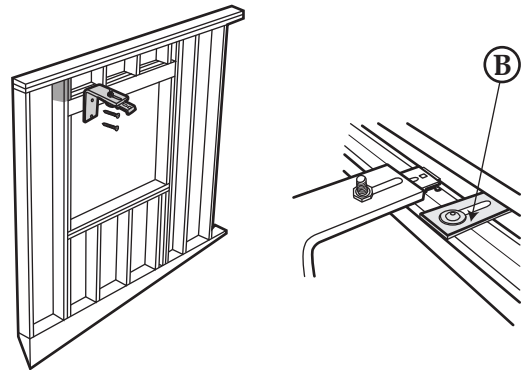
1. Unwrap and check all parts.
Parts will vary by order.

When ordering with rings, two stationary rings (A) are placed on each end for center open systems, one ring is placed on the stack side for one-way draw systems.

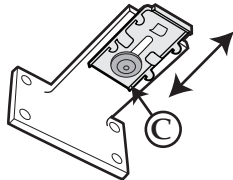


2. Traversing with Somfy hardware should be installed in wall studs where possible. We suggest using a density analyzer to determine stud locations.

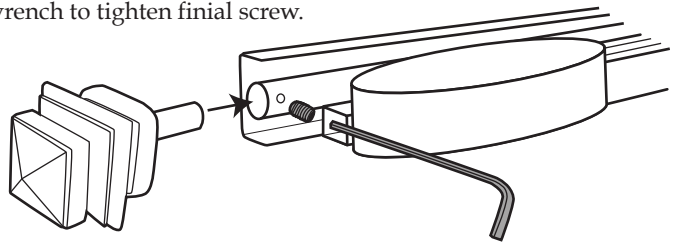
- (a) If installing in wall without stud, use heavy duty hollow wall anchors (e.g., Hillman #370012) or toggle bolts. We recommend ordering extra center supports when hollow wall anchors are being used.
- (b) Make sure support brackets do not line up with fascia attachments (B).
- (c) Use level to make sure all brackets are on the same horizontal plane.



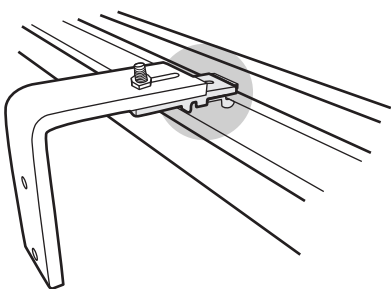
3. Adjust projection of bracket clip by loosening the screw nut (C). Adjust bracket projection as needed. Retighten the screw nut to hold the clip in desired position.



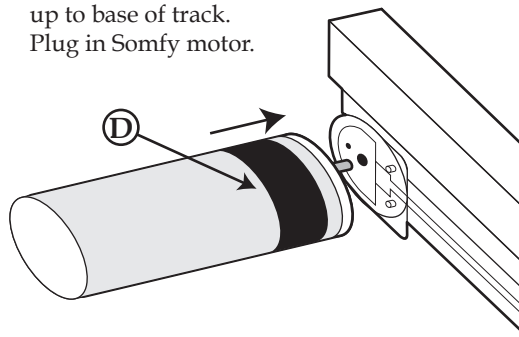
4. Install the finial in pre-drilled hole in rod. Use enclosed wrench to tighten finial screw.



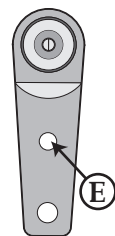
5. Clip traversing track onto the brackets on the wall; make sure track is securely in brackets.



6. Install Somfy motor. Slide finished sleeve (D) up to base of track. Plug in Somfy motor.



7. If installing without rings, please hang drapery from the top hole of the glide (E).



We recommend using a professional installer. While installation hardware is included, it may not be appropriate for your specific wall material or individual installation. Company will not assume any responsibility for damages incurred by inadequately supported or improperly mounted hardware.

The installation guide video can be found at <https://youtu.be/qL2UZxNIVCse/qL2UZxNIVCs>

Traversing Track Finish Guide

Our manual and motorized traversing collections include Deco Lite Traversing, Designers' Choice Traversing, Traversing with Somfy Motorization, Tuscany Cornice, and Tuscany Traversing.

Track Colors

Manual and motorized traversing tracks are available in five colors: Antique Bronze, Black, Gold, Silver, & White (No extra charge). These charts show the default track finish per color. If you'd like a different track finish, please specify it in your order.

Iron Art Finishes

| Group | Finish Name | Code | Track Finish |
|-------|--------------------|------|----------------|
| A | Black | 14 | Black |
| A | Brown | 19 | Black |
| A | Light Brown | 09 | Antique Bronze |
| B | Antique Bronze | 02 | Antique Bronze |
| B | Antique Copper | 10 | Black |
| B | Antique Gold | 06 | Antique Bronze |
| B | Antique White | 20 | White |
| B | Bronze Vecchio | 15 | Black |
| B | Burnt Silver | 17 | Silver |
| B | Ivory | 32 | White |
| B | Metal Ore | 35 | Black |
| B | Modern Gold | 36 | Gold |
| B | Naturelle | 03 | Black |
| B | New Nickel | 12 | Silver |
| B | Oil Rubbed Bronze | 34 | Antique Bronze |
| B | Old Black | 01 | Black |
| B | Pure White | 33 | White |
| B | Rich Gold | 07 | Gold |
| B | Rusty | 04 | Black |
| B | Soft Pewter | 13 | Black |
| C | Bronze Patina | 26 | Antique Bronze |
| C | Burnt Gold | 25 | Antique Bronze |
| C | Cherry Gold | 27 | Antique Bronze |
| C | Gold Antique White | 16 | Antique Bronze |
| C | Golden Oak | 29 | Gold |
| C | Renaissance Silver | 18 | Black |
| C | Sage Gold | 24 | Gold |
| C | Vecchio Patina | 28 | Antique Bronze |
| C | Versace | 11 | Silver |
| D | Antique Crackle | 22 | White |
| D | Autumn | 05 | Gold |
| D | Crackle | 21 | White |
| D | Imposter | 08 | Gold |
| D | Mocha Mix | 23 | White |
| D | Sugar Maple | 31 | Antique Bronze |
| D | Warm Cherry | 30 | Gold |

Glides and Return Hooks

Pinch Pleat With Rings

Color coordinating Pinch Pleat glides are available for systems *with* rings. Color coordinating return hooks are available for manual traversing systems. Motorized system return hooks are white. No curve trav. track available w/ rings.

Pinch Pleat Without Rings

All Pinch Pleat glides *without* rings are white. Return hooks for these systems are white. All curve trav. tracks are only available w/o rings and glides are white.

RippleFold

All RippleFold glides and return hooks are white.

Italian Finishes

| Group | Finish Name | Code | Track Finish |
|-------|-----------------------|-------|--------------|
| I | Brushed Nickel | IT201 | Silver |
| J | Polished Chrome | IT206 | Silver |
| J | Polished Nickel | IT207 | Silver |
| K | Black Nickel | IT202 | Black |
| K | Oiled Bronze | IT203 | Black |
| K | Satin Copper | IT204 | Gold |
| K | Satin Gold | IT205 | Gold |
| L | Polished Black Chrome | IT208 | Black |
| L | Polished Brass | IT209 | Gold |
| L | Antique Brass | IT211 | Gold |
| L | Satin Brass | IT210 | Gold |
| L | Polished Rose Gold | IT212 | Gold |
| L | Satin Rose Gold | IT213 | Gold |

Wood Art Finishes

| Group | Finish Name | Code | Track Finish |
|-------|---------------------|-------|--------------|
| E | Light Cherry | WC101 | Black |
| E | Natural | WC102 | Gold |
| E | Mahogany | WC103 | Black |
| E | White Wash | WC104 | White |
| E | Dust Black | WC105 | Black |
| E | Walnut | WC106 | Black |
| F | White Distress | WC107 | White |
| F | Aged Pewter | WC108 | Black |
| F | Imitation Gold Leaf | WC109 | Gold |
| F | Golden Teak | WC110 | Gold |
| F | Sun Oak | WC111 | Gold |

Design Art Traversing Track Finish Guide

Track Colors

Manual and motorized traversing tracks are available in five colors: Antique Bronze, Black, Gold, Silver, & White. These charts show the default track finish per color. If you'd like a different track finish, please specify it in your order.

Glides and Return Hooks

Pinch Pleat With Rings

Color coordinating Pinch Pleat glides are available for systems *with* rings.

Color coordinating return hooks are available for manual traversing systems. Motorized system return hooks are white.

Pinch Pleat Without Rings

All Pinch Pleat glides *without* rings are white. Return hooks for these systems are white.

RippleFold

All RippleFold glides and return hooks are white.

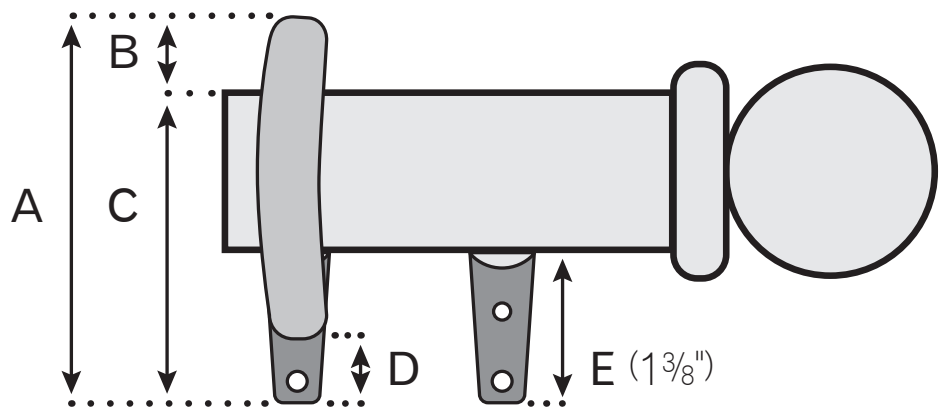
| Décor Finishes - A | Code | Track Finish |
|--------------------|--------|----------------|
| Antique Bronze | DP902A | Antique Bronze |
| Antique Copper | DP910A | Black |
| Antique Gold | DP906A | Antique Bronze |
| Black-Glossy | DP937A | Black |
| Black-Satin | DP914A | Black |
| Bronze Pewter | DP909A | Antique Bronze |
| Bronze Vecchio | DP915A | Antique Bronze |
| Brown | DP919A | Black |
| Burnt Gold | DP925A | Antique Bronze |
| Cast Iron | DP912A | Antique Bronze |
| Copper Glimmer | DP918A | Antique Bronze |
| Copper Penny | DP961A | Antique Bronze |
| English Bronze | DP922A | Antique Bronze |
| Frosty Morn | DP924A | Silver |
| Hammered Silver | DP929A | Silver |
| Naturelle | DP903A | Black |
| Old Black | DP901A | Black |
| Old Rust | DP955A | Antique Bronze |
| Pure White-Glossy | DP936A | White |
| Pure White-Satin | DP933A | White |
| Royal Red | DP942A | Gold |
| Rusty | DP904A | Black |
| Silver Shimmer | DP947A | Silver |
| Soft Pewter | DP913A | Black |
| Steel | DP949A | Antique Bronze |
| Superior Bronze | DP950A | Antique Bronze |
| Urbane Bronze | DP951A | Antique Bronze |
| White Dove | DP954A | White |

| Décor Finishes - B | Code | Track Finish |
|--------------------|--------|----------------|
| Aged Brass | DP956B | Antique Bronze |
| Aged Chestnut | DP905B | Antique Bronze |
| Black Embers | DP908B | Black |
| Champagne | DP948B | Gold |
| Chateau | DP916B | Antique Bronze |
| Cherrywood | DP917B | Black |
| Clouds | DP911B | White |
| Creamy | DP920B | White |
| Ebony | DP921B | Black |
| French Nobility | DP923B | White |
| Hickory | DP930B | Gold |
| Italian Gold | DP931B | Gold |
| Italian Walnut | DP932B | Gold |
| Mahogany | DP943B | Black |
| Monarch | DP960B | Silver |
| Paris Rain | DP962B | Silver |
| Precious Metals | DP939B | Gold |
| Queensland Walnut | DP940B | Black |
| Rich Gold | DP907B | Gold |
| Sage | DP946B | Silver |
| Vintage Gold | DP952B | Gold |
| Weathered Iron | DP953B | Antique Bronze |
| Zinc | DP957B | Antique Bronze |

Pinch Pleat Glide Measurements

For all manual traversing, and motorized traversing with rings.

- A. Distance from top of ring to bottom of glide.
- B. Distance from top of ring to rod.
- C. Distance from top of rod to bottom of glide.
- D. Distance from bottom of ring to bottom of glide.
- E. Distance from bottom of rod to bottom of glide.
(Same for all: $1\frac{3}{8}$ ")

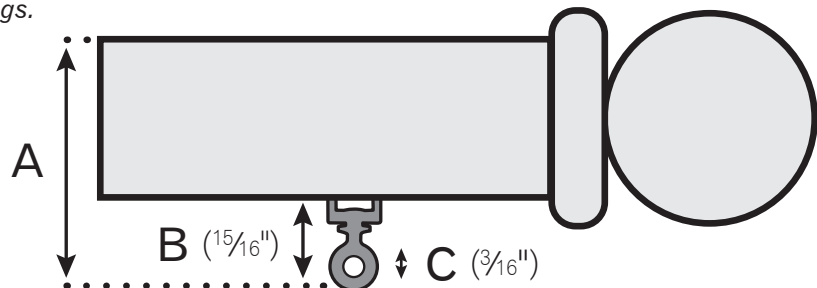


| Traversing in Iron / Italian | | Traversing in Wood | Tuscany Traversing |
|------------------------------|--------------------------|---------------------------|-------------------------|
| Round Rings: | Square Rings: | Round Rings: | Round Rings: |
| 1½" Diameter Rods | 1½" Diameter Rods | 2" Diameter Poles | 3" Diameter Rods |
| A. $4\frac{1}{8}$ " | A. $3\frac{7}{8}$ " | A. 4" | A. $5\frac{5}{8}$ " |
| B. $1\frac{1}{4}$ " | B. 1" | B. $\frac{3}{4}$ " | B. $1\frac{1}{4}$ " |
| C. $2\frac{7}{8}$ " | C. $2\frac{7}{8}$ " | C. $3\frac{1}{4}$ " | C. $4\frac{3}{8}$ " |
| D. $\frac{1}{2}$ " | D. $\frac{1}{2}$ " | D. $\frac{3}{8}$ " | D. $\frac{1}{2}$ " |
| 2" Diameter Rods | 2" Diameter Rods | 2¼" Diameter Poles | |
| A. $4\frac{5}{8}$ " | A. $4\frac{1}{2}$ " | A. $4\frac{1}{4}$ " | |
| B. $1\frac{1}{4}$ " | B. $1\frac{1}{8}$ " | B. $\frac{7}{8}$ " | |
| C. $3\frac{3}{8}$ " | C. $3\frac{3}{8}$ " | C. $3\frac{3}{8}$ " | |
| D. $\frac{1}{2}$ " | D. $\frac{1}{2}$ " | D. $\frac{3}{8}$ " | |
| 3" Diameter Rods | | 3" Diameter Poles | |
| A. $5\frac{5}{8}$ " | | A. $5\frac{5}{8}$ " | |
| B. $1\frac{1}{4}$ " | | B. 1" | |
| C. $4\frac{3}{8}$ " | | C. $4\frac{3}{8}$ " | |
| D. $\frac{1}{2}$ " | | D. $\frac{3}{8}$ " | |

Somfy Pinch Pleat Glide Measurements

For motorized traversing systems without rings.

- A. Distance from top of rod to bottom of glide.
- B. Distance from bottom of rod to bottom of glide: $\frac{15}{16}$ "
- C. Inner diameter of RippleFold carrier: $\frac{3}{16}$ "



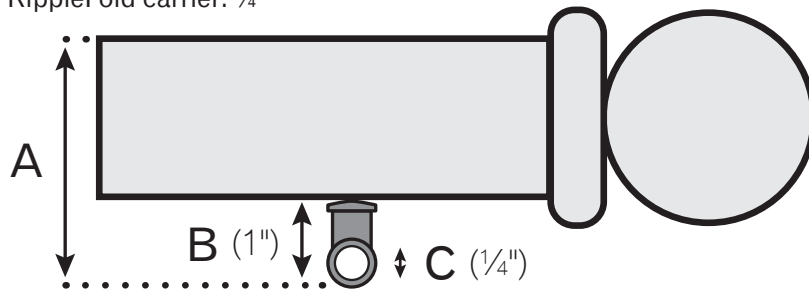
(A) Measurement per Rod or Pole Diameter

| | 1½" Diameter | 2" Diameter | 2¼" Diameter | 3" Diameter |
|------------------------------|-------------------|--------------------|-------------------|--------------------|
| Traversing in Iron / Italian | $2\frac{7}{16}$ " | $2\frac{15}{16}$ " | N/A | $3\frac{15}{16}$ " |
| Traversing in Wood | N/A | $2\frac{15}{16}$ " | $3\frac{3}{16}$ " | $3\frac{15}{16}$ " |
| Tuscany Traversing | N/A | N/A | N/A | $3\frac{15}{16}$ " |

RippleFold Glide Measurements

For manual and motorized systems without rings.

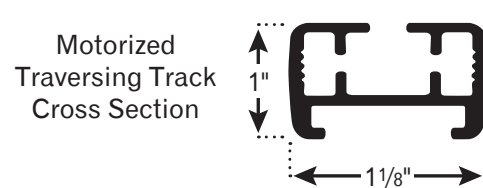
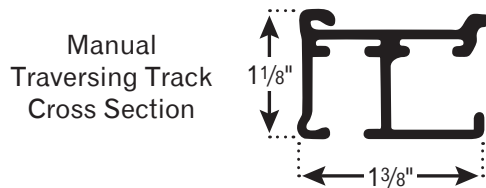
- A. Distance from top of rod to bottom of glide.
- B. Distance from bottom of rod to bottom of glide: 1"
- C. Inner diameter of RippleFold carrier: 1/4"



(A) Measurement per Rod or Pole Diameter

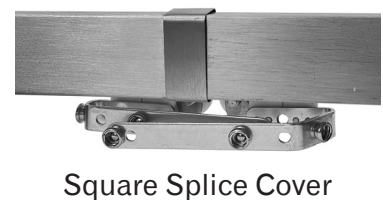
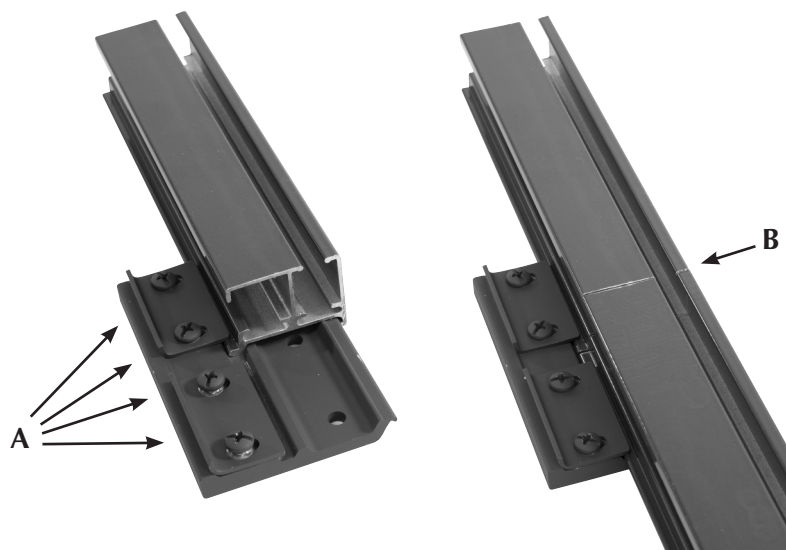
| | 1½" Diameter | 2" Diameter | 2¼" Diameter | 3" Diameter |
|------------------------------|--------------|-------------|--------------|-------------|
| Traversing in Iron / Italian | 2½" | 3" | N/A | 4" |
| Traversing in Wood | N/A | 3" | 3¼" | 4" |
| Tuscany Traversing | N/A | N/A | N/A | 4" |

Manual and Motorized Traversing Track Measurements:

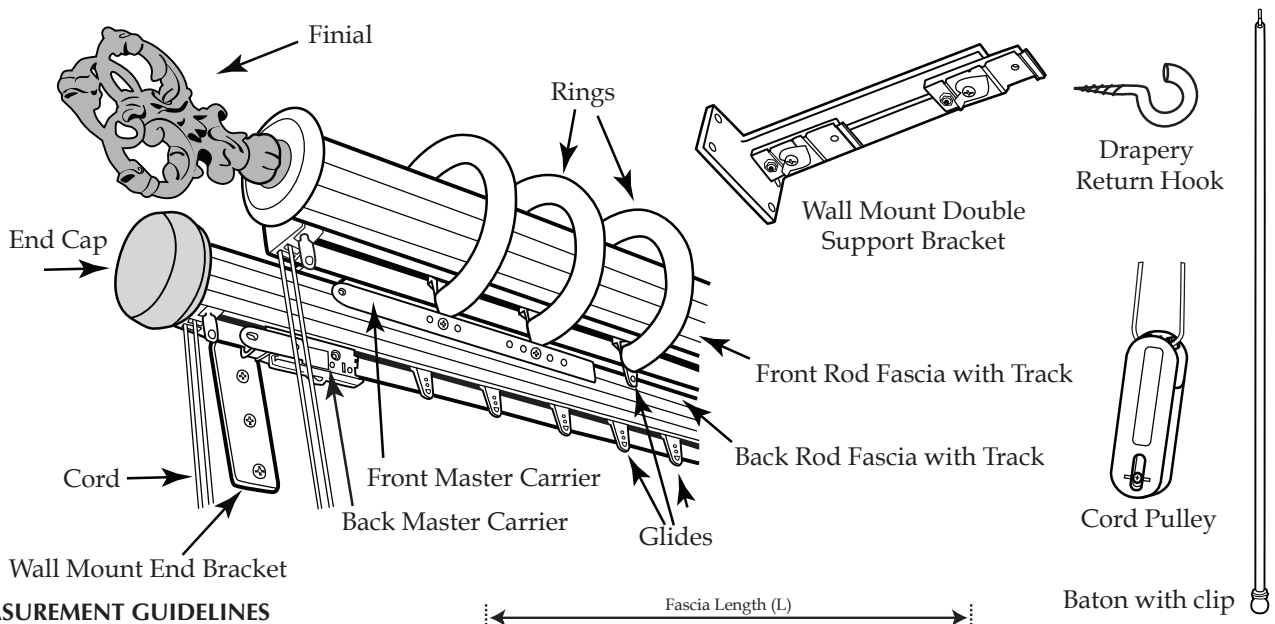


Manual Traversing Splice Plate

- A. Untighten all four screws on the splice plate to allow the top of each track to slide under a locking plate. Tracks are shown upside down. The splice plate will be on top of the tracks once installed.
- B. Connect tracks together in the center of the plate. Do not leave any space between the tracks. Retighten splice plate screws.

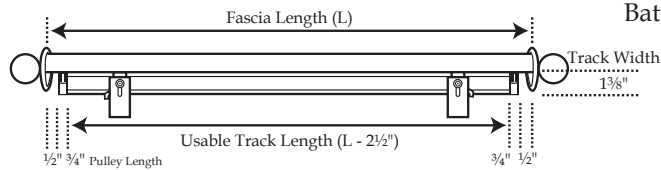


DESIGNERS' CHOICE TRAVERSING RODS



MEASUREMENT GUIDELINES

- Please specify fascia length when ordering.
- Usable Track length will be 2 1/2" shorter than fascia length. (L - 2 1/2")
- If using rings, usable track length will be 3 1/4" shorter than fascia length. (L - 3 1/4")



Iron, Italian, and Wood Traversing Systems

Traversing Systems designed to meet all of the custom needs of interior designers.

- Single or Double Systems in Iron, Italian or Wood Fascia Styles.
- Up to 30 Feet in Length.
- Heavy Duty Track and Accessories Automatically Included.
- End and Support Brackets in Iron Customized for Heavy Duty Applications.
- Wall Mount or Ceiling Mount Brackets with Expandable Projections.
- Front Track with or without Rings.
- Back Rod Fascia Automatically Includes End Caps (Finished).
- Cord Draw or Baton Draw.
- Pinch Pleat or RippleFold.
- Miter Return Available.
- Five Finishes for Traversing Tracks: Antique Bronze, Black, Gold, Silver, and White.
- Track Color Coordinating Pinch Pleat Glides for Systems with Rings. Pinch Pleat Without Rings and RippleFold Glides are White.
- Rods May be Bent or Curved (Excludes Square and Wood Fascia Styles, and Systems with Rings).
- Heavy Duty Packaging.
- Shipped in 15 Business Days.

Iron Rod Fascia Styles:

- 36 Iron Art™ Finishes for Rod Fascia, Finials, Rings, Brackets & End Caps (Back Rod Fascia Only).
- Rods and Diameters:
Round: 1 1/2", 2", and 3"
Round Hammered: 1 1/2", 2", and 3"
Fluted: 1 1/2" and 2"
Square: 1 1/2" and 2"
- Custom Finishes Available on Iron Fascia.
- Select Finials From the Entire Iron Finial and Village Forge Collections.
- Back Rod in Double Traverse System Comes with Iron Fascia 1 1/4" Diameter to Match Front Rod Style.

Italian Collection Iron Fascia Styles:

- 13 Italian Collection Finishes for Rod Fascia, Finials, Rings, Brackets & End Caps (Back Rod Fascia Only).
- Rods and Diameters:
Round: 1 1/2" and 2"
Square: 1 1/2" and 2"
- Select Finials from Italian and Bohemia Collections.
- Back Rod in Double Traverse System Comes with Iron Fascia 1 1/4" Diameter to Match Front Rod Style.

Wood Rod Fascia Styles:

- 11 Wood Art™ Finishes for Rod Fascia, Finials, Rings, Brackets & End Caps (Back Rod Fascia Only).
- Rods and Diameters:
Round: 2", 2 1/4", and 3"
Fluted: 2", 2 1/4", and 3"
- Custom Finishes Available on Wood Fascia.
- Select Finials from New York Wood, Rosina, Wood Craft, Bohemia, or Iron Collections.
- Back Rod in Double Traverse System Comes with Wood Fascia 1 3/8" Diameter to Match Front Rod Style.

Designers' Choice Set Guide: Iron Bracket, Glide, and Ring Quantities

| Product | Unit | QTY | Product | Unit | QTY | Product | Unit | QTY |
|--|------|-----|---|------|-----|---|------|-----|
| Iron End Brackets Single Bracket Back Plate: H 3 1/4" W 1 1/2" Double Bracket Back Plate: H 4 1/2" W 1 1/2" | SET | 2 | Rings (Front Rod Only) Including Master Carriers <i>Rings are an additional cost</i> | FOOT | 4 | Glides Including Master Carrier | FOOT | 4 |

Designers' Choice Traversing Rods: Ordering Information

- Sets automatically include: rod fascia, heavy duty tracks, glides, master carriers*, cords, and cord pulleys**, drapery return hooks, two end brackets, support brackets as needed per length, and back rod end caps (for double rods only). If master carrier style is not specified, Orion will automatically provide overlap masters.
- Items sold separately: finials, rings (front rod with pinch pleat glides only), and batons.
- Set finishes: rods, brackets, return hooks, rings, master carriers, and batons are finished as per finish specified in order.
- Track finishes are available in Antique Bronze, Black, Gold, Silver, and White.
- Glides for pinch pleat systems with rings coordinate with the five track finishes. Pinch pleat glides for systems without rings and RippleFold glides are available in white. Pinch pleat glides are supplied four per foot.
- Please state fullness of 60%, 80%, 100%, or 120% when ordering RippleFold. Please specify Butt or Overlap Master Carrier.
- Traversing rods come with or without rings on front rods with pinch pleat glides only. Back rods and RippleFold glides do not accommodate rings. Two stationary rings are placed on each end for center open systems, one ring is placed on the stack side for one-way draw systems.
- Rings cannot be used on curved traversing sets.
- If desired, you may specify a baton drawn system. **Batons are sold separately.** Please see page 27 for Iron Art™ batons and page 72 for Italian batons.
- Include cord length (standard is 8'), cord placement (left or right), and draw (left stack, right stack, or center open) in your order.
- Please specify wall or ceiling mount end brackets when ordering. Due to limited clearance, we recommend using end caps as finials with ceiling mount brackets. Please contact customer service for a list of other finials which may be used.
- Traversing set pricing is rounded up to the next foot.
- Maximum fabric weight for a 16' track is 62 lbs. for the heavy duty traverse track (automatically provided in each set).
- All heavy duty tracks, iron rods, and wood poles (all diameters) are available in 16' (192") lengths without a splice, and up to 30' (360") with a splice. Please contact customer service for the availability of 19' (228") lengths without a splice. Italian Collection iron rods are available in 10' (108") lengths without a splice, and up to 20' (216") with a splice.**
- We splice any center open traversing rod over 8'6" (102") to save on shipping charges using FedEx/UPS. (One-way draw is not spliced for FedEx/UPS.) Traversing systems not specified as one piece in the order will be spliced in the center, unless a splice location is otherwise noted. Anything specified as one piece and over these lengths is shipped by truck, and final shipping charges are given when the order is shipped. Please note residential truck deliveries are restricted to 24' (288").
- When ordering with miter returns, please add Product #IT307MR, #IC307MR, or #WT307MR. The width entered should be the track measurement. Returns are available as 3½", 4½", 6", and 7".
- Iron and Italian traversing rods can be bent or curved (excludes square fascia styles and systems with rings). Please see bend and curve charges on page 48.

Traversing Accessories: Page 49 of Catalog

| Accessories & Charges | Product # | Unit | Price | Additional Information | | | | | | | | |
|--|------------|------|----------------|---|-----|----------------|---------|-----|----------------|------|----------------|--|
| Additional Traversing Glides | TRGL | EACH | 3 | Specify Quantity in Order / Standard is Four per Foot | | | | | | | | |
| Additional Traversing Pinch Pleat Glides | TRGLP | EACH | 3 | Specify Quantity in Order / Standard is Four per Foot | | | | | | | | |
| Additional Traversing RippleFold Glides | TRGLR | EACH | 3 | Specify Quantity in Order & Fullness | | | | | | | | |
| Additional Traversing Cord (white) | TRCR | FOOT | 2 | Specify Length in Order / Standard is Eight Feet | | | | | | | | |
| Strike Off Charge (net) | IASTRIKE | EACH | 65 | One time strike off charge for custom finish | | | | | | | | |
| "C" Ring Styles (Front Rod Only) | Product # | Unit | 1½" | | | 2" | | | 2" & 2¼" | | 3" | |
| | | | Inner Diameter | | | Inner Diameter | | | Inner Diameter | | Inner Diameter | |
| | | | Iron | Italian | | Iron | Italian | | Wood | Iron | Wood | |
| | | | I, J, K | L | | I, J, K | L | | | | | |
| Round Iron "C" Rings | IT/IC350TR | EACH | 19 | 25 | 30 | 21 | 27 | 33 | N/A | 24 | N/A | |
| Square Iron "C" Rings | IT/IC352TR | EACH | 19 | 25 | 30 | 21 | 27 | 33 | N/A | N/A | N/A | |
| Round Hammered Iron "C" Rings | IT356TR | EACH | 22 | N/A | N/A | 22 | N/A | N/A | N/A | 24 | N/A | |
| Smooth Wood "C" Rings | WT5047TR | EACH | N/A | N/A | N/A | N/A | N/A | N/A | 24 | N/A | 29 | |
| Fluted Wood "C" Rings | WT5049TR | EACH | N/A | N/A | N/A | N/A | N/A | N/A | 24 | N/A | 29 | |

* Center open rods come with two master carriers, while one-way draw rods come with one. Front rod carriers each hold two rings.

** Cord drawn traversing sets include cords and cord pulleys. Batons for baton drawn sets are sold separately.

Traversing Accessories: Page 49 of Catalog (continued)

| Miter with Return | Product # | Unit | Price | Additional Information |
|----------------------------|-----------|------|-------|--|
| Designers' Choice: Iron | IT307MR | EACH | 107 | Available in 3½", 4½", 6", and 7" |
| Designers' Choice: Italian | IC307MR | EACH | 113 | Available in 3½", 4½", 6", and 7" |
| Designers' Choice: Wood | WT307MR | EACH | 88 | Available in 3½", 4½", 6", and 7" |
| Bend and Curve Charges | Product # | Unit | Price | Additional Information |
| Single Track Bend | ITBENDCRS | EACH | 63 | Bend Single Traversing Set - Fascia with Traversing Track |
| Double Track Bend | ITBENDCRD | EACH | 126 | Bend Double Traversing Set - Fascias with Traversing Tracks |
| Single Track Curve | ITBENDCVS | FOOT | 44 | Curve Single Traversing Set - Fascia with Traversing Track |
| Double Track Curve | ITBENDCVD | FOOT | 76 | Curve Double Traversing Set - Fascias with Traversing Tracks |

See pages 52-53 for brackets.

Single Traversing Sets: Pages 44 & 72 of Catalog

(Add Finials, Rings, Accessories, and Miscellaneous Charges Where Applicable)

| Style | Set # | 4 Feet | 5 Feet | 6 Feet | 7 Feet | 8 Feet | 9 Feet | 10 Feet | Additional Foot |
|---|------------|--------|--------|--------|--------|--------|--------|---------|-----------------|
| Track Only | ITTRACK-S | 314 | 349 | 401 | 463 | 524 | 585 | 646 | 61 |
| Designers' Choice: Iron | | | | | | | | | |
| Round 1½" Dia. | ITRR-S-112 | 547 | 682 | 786 | 891 | 1026 | 1131 | 1237 | 173 |
| Round 2" Dia. | ITRR-S-200 | 561 | 703 | 815 | 927 | 1070 | 1181 | 1294 | 180 |
| Round 3" Dia. | ITRR-S-300 | 643 | 797 | 919 | 1042 | 1197 | 1318 | 1441 | 190 |
| Round Hammered 1½" Diameter | ITRH-S-112 | 571 | 715 | 827 | 938 | 1082 | 1192 | 1305 | 180 |
| Round Hammered 2" Diameter | ITRH-S-200 | 584 | 737 | 854 | 973 | 1124 | 1243 | 1362 | 187 |
| Round Hammered 3" Diameter | ITRH-S-300 | 668 | 834 | 967 | 1101 | 1264 | 1398 | 1530 | 202 |
| Fluted 1½" Dia. | ITFL-S-112 | 601 | 751 | 869 | 987 | 1139 | 1257 | 1376 | 187 |
| Fluted 2" Dia. | ITFL-S-200 | 615 | 772 | 899 | 1024 | 1181 | 1308 | 1433 | 193 |
| Square 1½" Dia. | ITSQ-S-112 | 571 | 715 | 827 | 938 | 1082 | 1192 | 1305 | 180 |
| Square 2" Dia. | ITSQ-S-200 | 584 | 737 | 854 | 973 | 1124 | 1243 | 1362 | 187 |
| Designers' Choice: Italian | | | | | | | | | |
| Designers' Choice: Italian (Finish Group I, J, K) | | | | | | | | | |
| Round 1½" Dia. | ICRR-S-112 | 802 | 988 | 1126 | 1265 | 1454 | 1609 | 1764 | 198 |
| Round 2" Dia. | ICRR-S-200 | 837 | 1040 | 1194 | 1348 | 1539 | 1706 | 1874 | 212 |
| Square 1½" Dia. | ICSQ-S-112 | 837 | 1040 | 1194 | 1348 | 1539 | 1706 | 1874 | 212 |
| Square 2" Dia. | ICSQ-S-200 | 872 | 1090 | 1261 | 1431 | 1624 | 1804 | 1987 | 227 |
| Designers' Choice: Italian (Finish Group L) | | | | | | | | | |
| Round 1½" Dia. | ICRR-S-112 | 883 | 1087 | 1239 | 1390 | 1599 | 1770 | 1940 | 219 |
| Round 2" Dia. | ICRR-S-200 | 921 | 1144 | 1313 | 1484 | 1693 | 1877 | 2061 | 232 |
| Square 1½" Dia. | ICSQ-S-112 | 921 | 1144 | 1313 | 1484 | 1693 | 1877 | 2061 | 232 |
| Square 2" Dia. | ICSQ-S-200 | 959 | 1199 | 1387 | 1574 | 1786 | 1984 | 2186 | 249 |
| Designers' Choice: Wood | | | | | | | | | |
| Smooth 2" Dia. | WTRN-S-200 | 490 | 620 | 720 | 820 | 950 | 1050 | 1150 | 165 |
| Smooth 2¼" Dia. | WTRN-S-214 | 490 | 620 | 720 | 820 | 950 | 1050 | 1150 | 165 |
| Smooth 3" Dia. | WTRN-S-300 | 543 | 690 | 807 | 923 | 1071 | 1188 | 1305 | 181 |

Single Traversing Sets: Pages 44 & 72 of Catalog (continued)

(Add Finials, Rings, Accessories, and Miscellaneous Charges Where Applicable)

| Style | Set # | 4 Feet | 5 Feet | 6 Feet | 7 Feet | 8 Feet | 9 Feet | 10 Feet | Additional Foot |
|-------------------------------------|------------|--------|--------|--------|--------|--------|--------|---------|-----------------|
| Fluted 2" Dia. | WTFL-S-200 | 490 | 620 | 720 | 820 | 950 | 1050 | 1150 | 165 |
| Fluted 2¼" Dia. | WTFL-S-214 | 490 | 620 | 720 | 820 | 950 | 1050 | 1150 | 165 |
| Fluted 3" Dia. | WTFL-S-300 | 560 | 709 | 823 | 940 | 1089 | 1204 | 1322 | 181 |
| Number of Brackets Included: | | 2 | 3 | 3 | 3 | 4 | 4 | 4 | See Note* |

*Additional brackets will be included at 11', 14', 17', 20', 23', 26', and 29'. See page 52 for bracket specifications.

Double Traversing Sets: Pages 45 & 73 of Catalog

(Add Finials, Rings, Accessories, and Miscellaneous Charges Where Applicable)

| Style | Set # | 4 Feet | 5 Feet | 6 Feet | 7 Feet | 8 Feet | 9 Feet | 10 Feet | Additional Foot |
|--------------------------------|------------|--------|--------|--------|--------|--------|--------|---------|-----------------|
| Track Only | ITTRACK-D | 671 | 817 | 963 | 1110 | 1258 | 1405 | 1551 | 147 |
| Designers' Choice: Iron | | | | | | | | | |
| Round 1½" Dia. | ITRR-D-112 | 880 | 1104 | 1280 | 1458 | 1682 | 1858 | 2034 | 268 |
| Round 2" Dia. | ITRR-D-200 | 901 | 1135 | 1319 | 1505 | 1737 | 1922 | 2107 | 275 |
| Round 3" Dia. | ITRR-D-300 | 934 | 1168 | 1357 | 1546 | 1778 | 1968 | 2157 | 273 |
| Round Hammered 1½" Diameter | ITRH-D-112 | 909 | 1138 | 1319 | 1500 | 1727 | 1910 | 2091 | 272 |
| Round Hammered 2" Diameter | ITRH-D-200 | 927 | 1163 | 1354 | 1543 | 1781 | 1970 | 2160 | 280 |
| Round Hammered 3" Diameter | ITRH-D-300 | 958 | 1199 | 1397 | 1593 | 1834 | 2032 | 2229 | 283 |
| Fluted 1½" Dia. | ITFL-D-112 | 852 | 1061 | 1228 | 1398 | 1590 | 1769 | 1943 | 233 |
| Fluted 2" Dia. | ITFL-D-200 | 862 | 1070 | 1238 | 1405 | 1606 | 1773 | 1946 | 246 |
| Square 1½" Dia. | ITSQ-D-112 | 834 | 1051 | 1221 | 1393 | 1608 | 1780 | 1951 | 255 |
| Square 2" Dia. | ITSQ-D-200 | 853 | 1070 | 1240 | 1412 | 1627 | 1799 | 1970 | 274 |

Designers' Choice: Italian

Designers' Choice: Italian (Finish Group I, J, K)

| | | | | | | | | | |
|-----------------|------------|------|------|------|------|------|------|------|-----|
| Round 1½" Dia. | ICRR-D-112 | 1048 | 1320 | 1531 | 1741 | 2013 | 2224 | 2434 | 318 |
| Round 2" Dia. | ICRR-D-200 | 1091 | 1382 | 1610 | 1840 | 2131 | 2360 | 2589 | 337 |
| Square 1½" Dia. | ICSQ-D-112 | 992 | 1256 | 1464 | 1673 | 1937 | 2145 | 2354 | 306 |
| Square 2" Dia. | ICSQ-D-200 | 1031 | 1295 | 1503 | 1712 | 1976 | 2184 | 2393 | 345 |

Designers' Choice: Italian (Finish Group L)

| | | | | | | | | | |
|-----------------|------------|------|------|------|------|------|------|------|-----|
| Round 1½" Dia. | ICRR-D-112 | 1154 | 1453 | 1684 | 1915 | 2215 | 2446 | 2677 | 351 |
| Round 2" Dia. | ICRR-D-200 | 1200 | 1520 | 1771 | 2025 | 2344 | 2596 | 2848 | 371 |
| Square 1½" Dia. | ICSQ-D-112 | 1091 | 1382 | 1610 | 1841 | 2131 | 2360 | 2589 | 337 |
| Square 2" Dia. | ICSQ-D-200 | 1133 | 1424 | 1652 | 1883 | 2173 | 2402 | 2631 | 379 |

Designers' Choice: Wood

| | | | | | | | | | |
|-----------------|------------|-----|-----|------|------|------|------|------|-----|
| Smooth 2" Dia. | WTRN-D-200 | 723 | 915 | 1066 | 1214 | 1408 | 1556 | 1706 | 232 |
| Smooth 2¼" Dia. | WTRN-D-214 | 723 | 915 | 1066 | 1214 | 1408 | 1556 | 1706 | 232 |
| Smooth 3" Dia. | WTRN-D-300 | 768 | 969 | 1127 | 1286 | 1472 | 1642 | 1812 | 271 |
| Fluted 2" Dia. | WTFL-D-200 | 723 | 915 | 1066 | 1214 | 1408 | 1556 | 1706 | 232 |
| Fluted 2¼" Dia. | WTFL-D-214 | 723 | 915 | 1066 | 1214 | 1408 | 1556 | 1706 | 232 |
| Fluted 3" Dia. | WTFL-D-300 | 768 | 969 | 1127 | 1286 | 1472 | 1642 | 1812 | 271 |

| | | | | | | | | | |
|-------------------------------------|--|---|---|---|---|---|---|---|-----------|
| Number of Brackets Included: | | 2 | 3 | 3 | 3 | 4 | 4 | 4 | See Note* |
|-------------------------------------|--|---|---|---|---|---|---|---|-----------|

*Additional brackets will be included at 11', 14', 17', 20', 23', 26', and 29'. See page 52 for bracket specifications.

Stationary Rod Front And Trav Fascia In Back

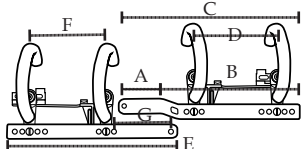
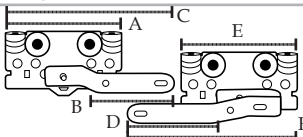
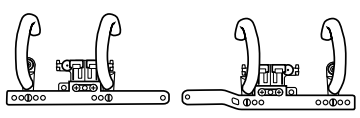
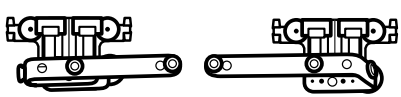
Includes 2 End Brackets and 2 End Caps for Back Traversing Fascia. Fascia will be 1¼"

| Style | Set # | 4 Feet | 5 Feet | 6 Feet | 7 Feet | 8 Feet | 9 Feet | 10 Feet | Additional Foot |
|---|--------------|--------|--------|--------|--------|--------|--------|---------|-----------------|
| Designers' Choice: Iron | | | | | | | | | |
| Round 1¼" Dia. | STA-ITRR-114 | 620 | 756 | 862 | 966 | 1102 | 1206 | 1310 | 200 |
| Round 1½" Dia. | STA-ITRR-112 | 625 | 760 | 865 | 970 | 1105 | 1210 | 1314 | 203 |
| Round 2" Dia. | STA-ITRR-200 | 646 | 788 | 902 | 1012 | 1156 | 1267 | 1379 | 218 |
| Round 3" Dia. | STA-ITRR-300 | 741 | 895 | 1017 | 1139 | 1294 | 1392 | 1537 | 240 |
| Round Hammered 1¼" Diameter | STA-ITRH-114 | 660 | 803 | 914 | 1025 | 1169 | 1280 | 1392 | 220 |
| Round Hammered 1½" Diameter | STA-ITRH-112 | 663 | 806 | 918 | 1029 | 1173 | 1283 | 1397 | 224 |
| Round Hammered 2" Diameter | STA-ITRH-200 | 685 | 836 | 954 | 1073 | 1224 | 1343 | 1461 | 239 |
| Round Hammered 3" Diameter | STA-ITRH-300 | 781 | 946 | 1078 | 1211 | 1376 | 1510 | 1642 | 266 |
| Square 1¼" Dia. | STA-ITSQ-114 | 645 | 788 | 901 | 1011 | 1156 | 1267 | 1378 | 206 |
| Square 1½" Dia. | STA-ITSQ-112 | 649 | 794 | 904 | 1016 | 1160 | 1271 | 1381 | 211 |
| Square 2" Dia. | STA-ITSQ-200 | 672 | 822 | 941 | 1058 | 1210 | 1328 | 1447 | 225 |
| Designers' Choice: Italian | | | | | | | | | |
| Designers' Choice: Italian (Finish Group I, J, K) | | | | | | | | | |
| Round 1¼" Dia. | STA-ICRR-114 | 921 | 1108 | 1245 | 1383 | 1574 | 1728 | 1883 | 261 |
| Round 1½" Dia. | STA-ICRR-112 | 956 | 1142 | 1280 | 1419 | 1609 | 1764 | 1918 | 279 |
| Round 2" Dia. | STA-ICRR-200 | 1004 | 1207 | 1359 | 1514 | 1705 | 1873 | 2042 | 299 |
| Square 1¼" Dia. | STA-ICSQ-114 | 956 | 1158 | 1313 | 1466 | 1658 | 1825 | 1993 | 275 |
| Square 1½" Dia. | STA-ICSQ-112 | 992 | 1195 | 1348 | 1502 | 1694 | 1861 | 2030 | 299 |
| Square 2" Dia. | STA-ICSQ-200 | 1040 | 1256 | 1427 | 1596 | 1790 | 1971 | 2152 | 312 |
| Designers' Choice: Italian (Finish Group L) | | | | | | | | | |
| Round 1¼" Dia. | STA-ICRR-114 | 1013 | 1218 | 1370 | 1521 | 1731 | 1901 | 2070 | 287 |
| Round 1½" Dia. | STA-ICRR-112 | 1053 | 1256 | 1407 | 1561 | 1770 | 1940 | 2109 | 309 |
| Round 2" Dia. | STA-ICRR-200 | 1104 | 1328 | 1496 | 1665 | 1876 | 2060 | 2245 | 329 |
| Square 1¼" Dia. | STA-ICSQ-114 | 1053 | 1273 | 1443 | 1613 | 1823 | 2008 | 2191 | 301 |
| Square 1½" Dia. | STA-ICSQ-112 | 1091 | 1315 | 1484 | 1650 | 1862 | 2047 | 2233 | 329 |
| Square 2" Dia. | STA-ICSQ-200 | 1144 | 1383 | 1571 | 1756 | 1970 | 2168 | 2366 | 343 |
| Designers' Choice: Wood | | | | | | | | | |
| Smooth 2" Dia. | STA-WTRN-200 | 805 | 981 | 1123 | 1266 | 1441 | 1583 | 1726 | 208 |
| Smooth 2¼" Dia. | STA-WTRN-214 | 805 | 981 | 1123 | 1266 | 1441 | 1583 | 1726 | 208 |
| Smooth 3" Dia. | STA-WTRN-300 | 1139 | 1286 | 1403 | 1520 | 1668 | 1784 | 1902 | 278 |
| Fluted 2" Dia. | STA-WTFL-200 | 805 | 981 | 1123 | 1266 | 1441 | 1583 | 1726 | 208 |
| Fluted 2¼" Dia. | STA-WTFL-214 | 805 | 981 | 1123 | 1266 | 1441 | 1583 | 1726 | 208 |
| Fluted 3" Dia. | STA-WTFL-300 | 1139 | 1286 | 1403 | 1520 | 1668 | 1784 | 1902 | 278 |
| Number of Brackets Included: | | 2 | 3 | 3 | 3 | 4 | 4 | 4 | See Note* |

*Additional brackets will be included at 11', 14', 17', 20', 23', 26', and 29'. See page 52 for bracket specifications.

Additional Master Carriers for Traversing Sets

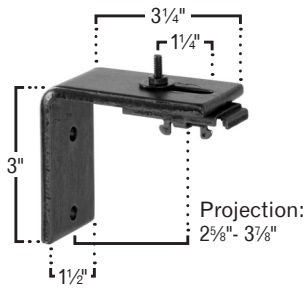
Additional master carriers for manual and motorized traversing sets including: Designers' Choice Traversing, Tuscany Traversing, Deco Lite Traversing, Tuscany Collection Cornices, and Tropical Collection Cornices.

| Master Carriers for Traversing Sets | Product # | Unit | Price | Includes: |
|---|--|-------------------------------|-------|--|
| Manual Traversing: | | | | |
|  | A - 2¼" B - 5¼" C - 7½" D - 3½" | E - 7⅛" F - 3¼" G - 2⅜" | | |
| Extra Master Carriers with Rings (Pinch Pleat Only) | | | | |
| Master Carrier Set with Rings in Iron Art Finishes | MCSRDC-IA | EACH | 119 | <ul style="list-style-type: none"> One straight master carrier for rings. One overlap master carrier for rings. Four rings (two for each carrier). |
| Master Carrier Set with Rings in Italian Finishes | MCSRDC-IT | EACH | 143 | |
| Single Master Carrier with Rings in Iron Art Finishes | MCRDC-IA | EACH | 59 | <ul style="list-style-type: none"> One straight or overlap master carrier for rings. Please specify in order. |
| Single Master Carrier with Rings in Italian Finishes | MCRDC-IT | EACH | 71 | <ul style="list-style-type: none"> Two rings. |
|  | A - 3" B - 1½" C - 4⅜" | D - 2⅜" E - 3" F - 4⅜" | | |
| Extra Master Carriers without Rings (Please Specify Pinch Pleat or RippleFold) (Shown as Pinch pleat) | | | | |
| Master Carrier Set in Iron Art Finishes | MCSDC-IA | EACH | 91 | <ul style="list-style-type: none"> One straight master carrier. One overlap master carrier. |
| Master Carrier Set in Italian Finishes | MCSDC-IT | EACH | 102 | |
| Single Master Carrier in Iron Art Finishes | MCDC-IA | EACH | 47 | <ul style="list-style-type: none"> One straight or overlap master carrier. Please specify in order. |
| Single Master Carrier in Italian Finishes | MCDC-IT | EACH | 47 | |
| Somfy Motorized Traversing: | | | | |
|  | A - 2¼" B - 5¼" C - 7½" D - 3¾" | E - 7⅛" F - 3⅝" G - 2⅜" | | |
| Extra Master Carriers with Rings (Pinch Pleat Only) | | | | |
| Master Carrier Set with Rings in Iron Art Finishes | MCSRSM-IA | EACH | 119 | <ul style="list-style-type: none"> One straight master carrier for rings. One overlap master carrier for rings. Four rings (two for each carrier). |
| Master Carrier Set with Rings in Italian Finishes | MCSRSM-IT | EACH | 143 | |
| Single Master Carrier with Rings in Iron Art Finishes | MCRSM-IA | EACH | 59 | <ul style="list-style-type: none"> One straight or overlap master carrier for rings. Please specify in order. |
| Single Master Carrier with Rings in Italian Finishes | MCRSM-IT | EACH | 71 | <ul style="list-style-type: none"> Two rings. |
|  | A - 3" B - 2½" C - 4⅜" | D - 2½" E - 3" F - 4¾" | | |
| Extra Master Carriers without Rings (Please Specify Pinch Pleat or RippleFold) (Shown as Overlap RippleFold) | | | | |
| Master Carrier Set in Iron Art Finishes | MCSSM-IA | EACH | 91 | <ul style="list-style-type: none"> Overlap option for Pinch Pleat or RippleFold includes: <ul style="list-style-type: none"> One straight master carrier. One overlap master carrier. |
| Master Carrier Set in Italian Finishes | MCSSM-IT | EACH | 102 | <ul style="list-style-type: none"> Butt option for RippleFold includes: <ul style="list-style-type: none"> Two butt master carriers. Please specify overlap or butt option for RippleFold. |
| Single Master Carrier in Iron Art Finishes | MCSM-IA | EACH | 47 | <ul style="list-style-type: none"> One straight or overlap master carrier. Please specify in order. |
| Single Master Carrier in Italian Finishes | MCSM-IT | EACH | 47 | |

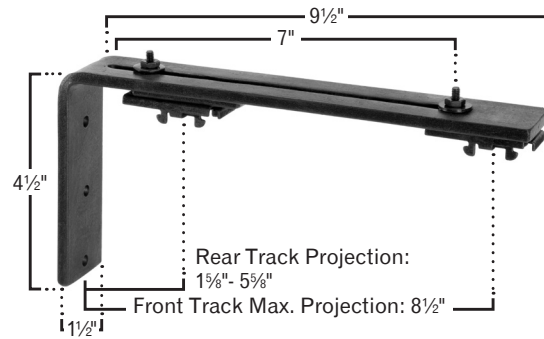
Manual Traversing Brackets: Page 44-45, & 49 of Catalog

Space between double traversing tracks is 2 7/8" - 6 3/4". See page 59 for Deco Lite Traversing brackets.

Single End Bracket



Double End Bracket



Iron/Wood
IT1048EBS

Italian
IC1048EBS

Finish Group I,J,K

Finish Group L

\$28

\$47

\$56

Iron/Wood
IT1049EBD

Italian
IC1049EBD

Finish Group I,J,K

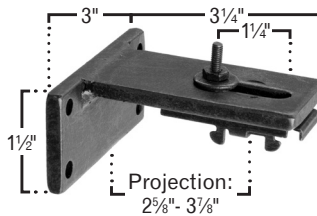
Finish Group L

\$38

\$52

\$63

Single Support Bracket



Double Support Bracket



Iron/Wood
IT1050SBS

Italian
IC1050SBS

Finish Group I,J,K

Finish Group L

\$28

\$47

\$56

Iron/Wood
IT1051SBD

Italian
IC1051SBD

Finish Group I,J,K

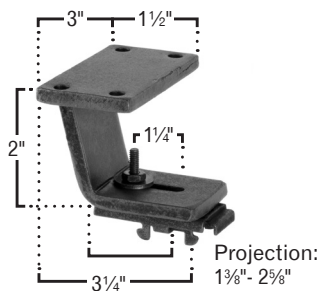
Finish Group L

\$38

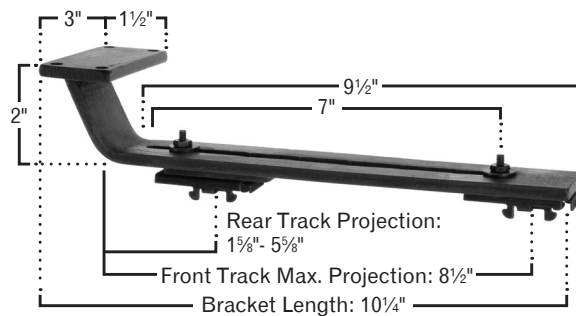
\$52

\$63

Single Ceiling Bracket (for systems without rings)



Double Ceiling Bracket (for systems without rings)



Iron/Wood
IT1052CBS-2

Italian
IC1052CBS-2

Finish Group I,J,K

Finish Group L

\$28

\$48

\$57

Iron/Wood
IT1053CBD-2

Italian
IC1053CBD-2

Finish Group I,J,K

Finish Group L

\$39

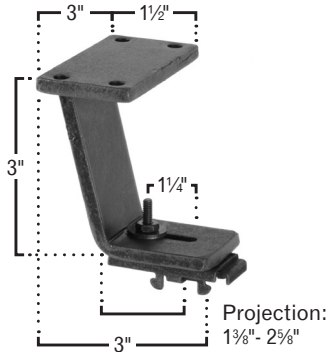
\$52

\$63

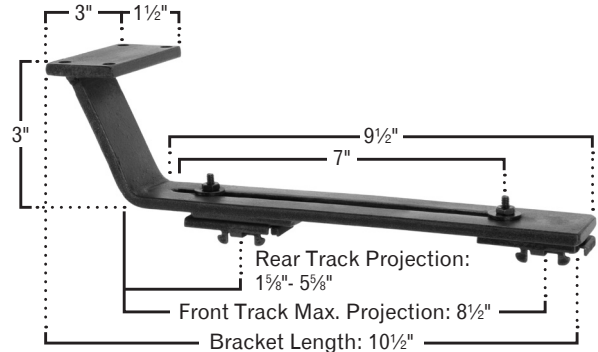
Manual Traversing Brackets: Page 44-45, & 49 of Catalog

Space between double traversing tracks is 2⁷/₈" - 6³/₄". See page 59 for Deco Lite Traversing brackets.

Single Ceiling Bracket (for systems with rings)

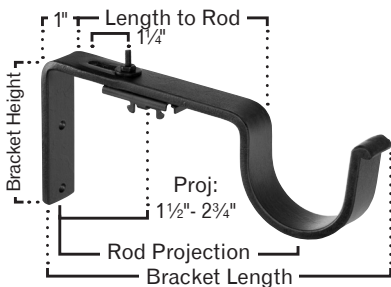


Double Ceiling Bracket (for systems with rings)

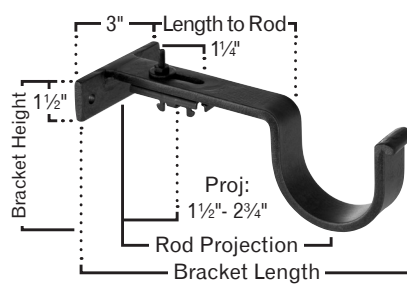


| | | | |
|--------------------------|------------------------|--------------------------|------------------------|
| Iron/Wood IT1052CBS-3 | Italian IC1052CBS-3 | Iron/Wood IT1053CBD-3 | Italian IC1053CBD-3 |
| | Finish Group I,J,K | | Finish Group I,J,K |
| | | | Finish Group L |
| \$28 | \$48 | \$39 | \$52 |
| | | | \$63 |

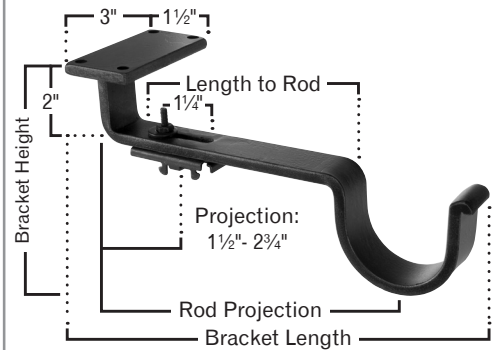
Front Stationary / Rear Traversing End Bracket



Front Stationary / Rear Traversing Support Bracket



Front Stationary / Rear Traversing Ceiling Bracket



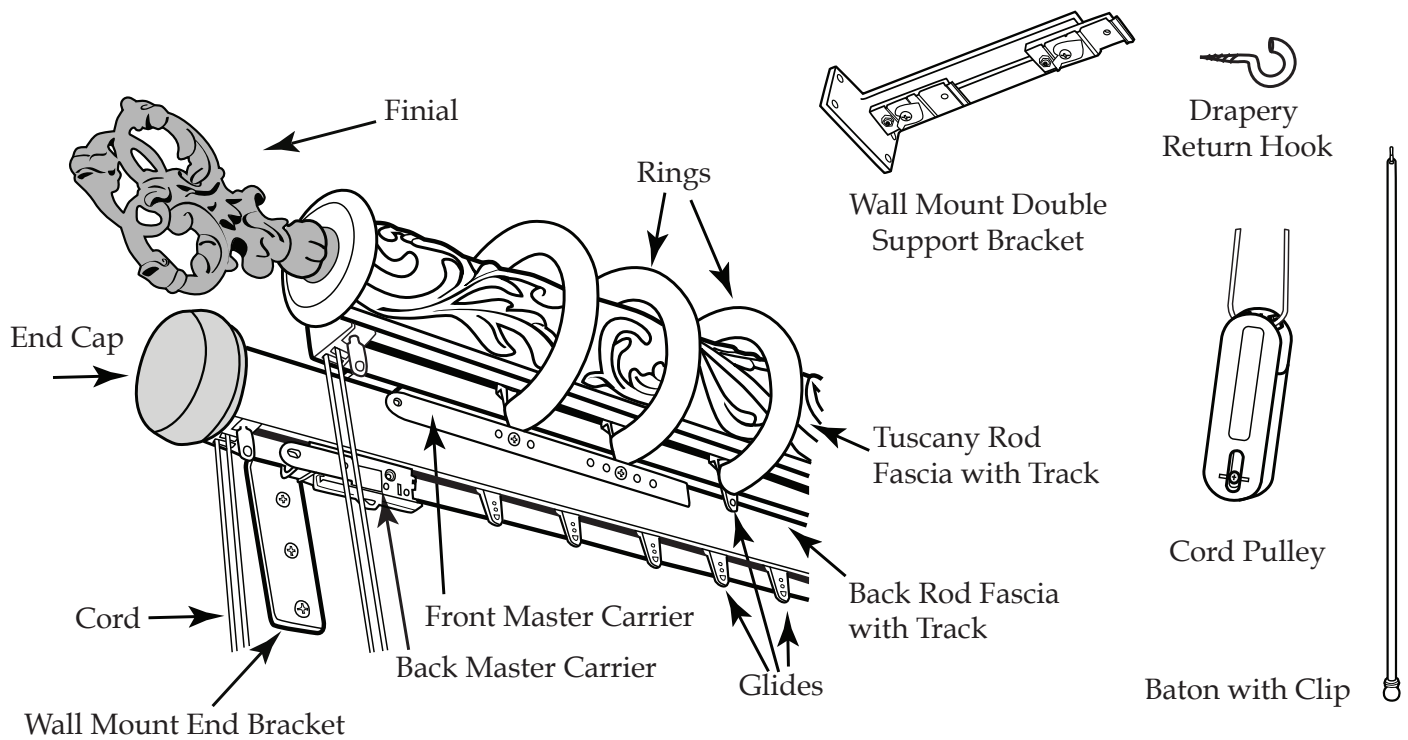
| | | | | | |
|---|--|---|--|--|--|
| For 1 ¹ / ₄ " Rods 8 ¹ / ₄ "L x 4 ¹ / ₂ "H LENGTH TO POLE: 6 ³ / ₈ " POLE PROJECTION: 7" | For 1 ³ / ₈ " Poles 8 ¹ / ₄ "L x 4 ¹ / ₂ "H LENGTH TO POLE: 6 ³ / ₈ " POLE PROJECTION: 7" | For 1 ¹ / ₄ " Rods 8 ¹ / ₄ "L x 1 ¹ / ₂ "H LENGTH TO POLE: 6 ³ / ₈ " POLE PROJECTION: 7" | For 1 ³ / ₈ " Poles 8 ¹ / ₄ "L x 1 ³ / ₄ "H LENGTH TO POLE: 6 ³ / ₈ " POLE PROJECTION: 7" | For 1 ¹ / ₄ " Rods 8 ¹ / ₄ "L x 3 ¹ / ₄ "H LENGTH TO POLE: 6 ³ / ₈ " POLE PROJECTION: 7" | For 1 ³ / ₈ " Poles 8 ¹ / ₄ "L x 3 ³ / ₈ "H LENGTH TO POLE: 6 ³ / ₈ " POLE PROJECTION: 7" |
| For 1 ¹ / ₂ " Rods 8 ³ / ₈ "L x 4 ¹ / ₂ "H LENGTH TO POLE: 6 ¹ / ₄ " POLE PROJECTION: 7" | For 2" Rods 8 ⁵ / ₈ "L x 4 ¹ / ₂ "H LENGTH TO POLE: 6" POLE PROJECTION: 7 ¹ / ₈ " | For 1 ¹ / ₂ " Rods 8 ³ / ₈ "L x 1 ³ / ₄ "H LENGTH TO POLE: 6 ¹ / ₄ " POLE PROJECTION: 7" | For 2" Rods 8 ⁵ / ₈ "L x 2 ¹ / ₄ "H LENGTH TO POLE: 6" POLE PROJECTION: 7 ¹ / ₈ " | For 1 ¹ / ₂ " Rods 8 ³ / ₈ "L x 3 ¹ / ₂ "H LENGTH TO POLE: 6 ¹ / ₄ " POLE PROJECTION: 7" | For 2" Rods 8 ⁵ / ₈ "L x 4"H LENGTH TO POLE: 6" POLE PROJECTION: 7" |
| For 2 ¹ / ₄ " Poles 8 ³ / ₄ "L x 4 ¹ / ₂ "H LENGTH TO POLE: 5 ⁷ / ₈ " POLE PROJECTION: 7 ¹ / ₈ " | For 3" Rods 10 ¹ / ₈ "L x 5"H LENGTH TO POLE: 6 ¹ / ₂ " POLE PROJECTION: 8 ¹ / ₄ " | For 2 ¹ / ₄ " Poles 8 ³ / ₄ "L x 2 ¹ / ₂ "H LENGTH TO POLE: 5 ⁷ / ₈ " POLE PROJECTION: 7 ¹ / ₈ " | For 3" Rods 10 ¹ / ₈ "L x 3 ³ / ₈ "H LENGTH TO POLE: 6 ¹ / ₂ " POLE PROJECTION: 8 ¹ / ₄ " | For 2 ¹ / ₄ " Poles 8 ³ / ₄ "L x 4 ¹ / ₄ "H LENGTH TO POLE: 5 ⁷ / ₈ " POLE PROJECTION: 7" | For 3" Rods 10 ¹ / ₈ "L x 5"H LENGTH TO POLE: 6 ¹ / ₂ " POLE PROJECTION: 8" |

| | | | | | |
|------------------------|----------------------|------------------------|----------------------|------------------------|----------------------|
| Iron/Wood IT1054EBD | Italian IC1054EBD | Iron/Wood IT1055SBD | Italian IC1055SBD | Iron/Wood IT1056CBD | Italian IC1056CBD |
| | Finish | | Finish | | Finish |
| | | | | | Finish |
| | Group I,J,K | | Group I,J,K | | Group I,J,K |
| | | | Group L | | Group L |
| \$52 | \$69 | \$52 | \$69 | \$54 | \$72 |
| | \$83 | | \$83 | | \$87 |

Front Stationary / Rear Traversing Brackets Accommodate 1¹/₄" Diameter Iron or 1³/₈" Diameter Wood Traversing Fascias.

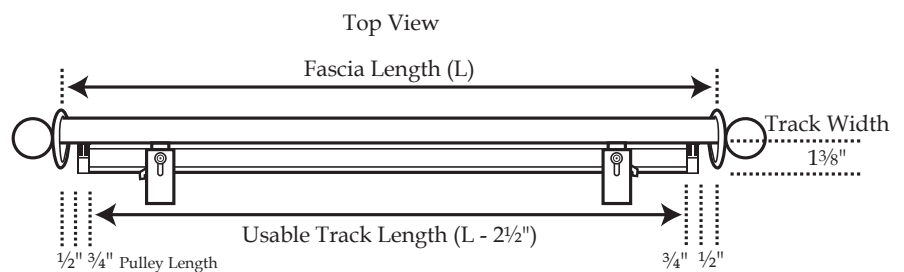
Tuscany Traversing

COLLECTION



MEASUREMENT GUIDELINES

- Please specify fascia length when ordering.
- Usable Track length will be 2½" shorter than fascia length. (L - 2½")



Iron Tuscany Traversing Systems

Traversing Systems designed to meet all of the custom needs of interior designers.

- Single or Double Systems in Decorative Tuscany Rod Fascias.
- 11 Tuscany Designs.
- Up to 30 Feet in Length.
- Heavy Duty Track and Accessories Automatically Included.
- End and Support Brackets in Iron Customized for Heavy Duty Applications.
- Wall Mount or Ceiling Mount Brackets with Expandable Projections.
- Front Track with or without Rings.
- Back Rod Fascia in Double Traverse System Includes End Caps (Finished) and 1¼" Diameter Iron Smooth Round Fascia.
- Cord Draw or Baton Draw.
- Rods Without Rings May be Curved.
- Miter Return Available.
- 36 Iron Art™ Finishes for Tuscany Rod Fascia, Finials, Rings, Brackets, and End Caps (Back Rod Fascia Only).
- Custom Finishes Available on Tuscany Rod Fascia.
- Five Finishes for Traversing Tracks: Antique Bronze, Black, Gold, Silver, and White.
- Pinch Pleat or RippleFold.
- Track Color Coordinating Pinch Pleat Glides for Systems with Rings. Pinch Pleat Without Rings and RippleFold Glides are White.
- Heavy Duty Packaging.
- Shipped in 15 Business Days.

Tuscany Traversing Set Guide: Iron Bracket, Glide, and Ring Quantities

| Product | Unit | QTY | Product | Unit | QTY | Product | Unit | QTY |
|--|------|-----|-------------------------------------|------|-----|--------------------------|------|-----|
| Iron End Brackets | | | Rings (Front Rod Only) | | | Glides | | |
| Single Bracket Back Plate: H 3¼" W 1½" | SET | 2 | Including Master Carriers | FOOT | 4 | Including Master Carrier | FOOT | 4 |
| Double Bracket Back Plate: H 4½" W 1½" | | | <i>Rings are an additional cost</i> | | | | | |

Tuscany Traversing: Ordering Information

- Sets automatically include: rod fascia, heavy duty tracks, glides, master carriers*, cords, and cord pulleys**, drapery return hooks, two end brackets, support brackets as needed per length, and back rod end caps (for double rods only).
- Items sold separately: finials, rings (front rod with pinch pleat glides only), and batons.
- Set finishes: rods, brackets, return hooks, rings, master carriers and batons are finished as per finish specified in order.
- Track finishes are available in Antique Bronze, Black, Gold, Silver, and White.
- Glides for pinch pleat systems with rings coordinate with the five track finishes. Pinch pleat glides for systems without rings and RippleFold glides are available in white. Pinch pleat glides are supplied four per foot.
- Please state fullness of 60%, 80%, 100%, or 120% when ordering RippleFold.
- Traversing rods come with or without rings on front rods with pinch pleat glides only. Back rods and RippleFold glides do not accommodate rings. Two stationary rings are placed on each end for center open systems, one ring is placed on the stack side for one-way draw systems.
- If desired, you may specify a baton drawn system. **Batons are sold separately.** See page 27 for Iron Art™ batons.
- When ordering, please specify the Tuscany design number, cord length (standard is 8'), cord placement (left or right), and draw (left stack, right stack, or center open).
- Please specify wall or ceiling mount end brackets when ordering. Due to limited clearance, we recommend using end caps as finials with ceiling mount brackets. Please contact customer service for a list of other finials which may be used.
- Tuscany Traversing set pricing is rounded up to the next foot.
- Maximum fabric weight for a 16' track is 62 lbs. for the heavy duty traverse track (automatically provided in each set).
- All heavy duty tracks are available in 16' (192") lengths without a splice, and up to 30' (360") with a splice. Please contact customer service for the availability of 19' (228") lengths without a splice.**
- We splice any center open traversing rod over 102" to save on shipping charges using FedEx/UPS. (One-way draw is not spliced for FedEx/UPS.) Traversing systems not specified as one piece in the order will be spliced in the center, unless a splice location is otherwise noted. Anything specified as one piece and over these lengths is shipped by truck, and final shipping charges are given when the order is shipped. Please note residential truck deliveries are restricted to 24' (288").
- When ordering with miter returns, please add Product #IT307MR. The width entered should be the track measurement. Returns are available as 3½", 4½", 6", and 7".
- Tuscany Traversing rods not using rings can be curved. Please see curve charges below.
- Custom finish: 40% additional charge. Please add a one time strike off charge (Product #IASTRIKE).

Tuscany Traversing Sets: Page 46 of Catalog

(Add Finials, Rings, Accessories, and Miscellaneous Charges Where Applicable)

| Style | Set # | 4 Feet | 5 Feet | 6 Feet | 7 Feet | 8 Feet | 9 Feet | 10 Feet | Additional Foot |
|------------------------------|--------|--------|--------|--------|--------|--------|--------|---------|-----------------|
| Single System | TTKT-S | 628 | 815 | 961 | 1110 | 1295 | 1443 | 1590 | 230 |
| Double System | TTKT-D | 1002 | 1184 | 1413 | 1643 | 1925 | 2154 | 2383 | 331 |
| Number of Brackets Included: | | 2 | 3 | 3 | 3 | 4 | 4 | 4 | See Note† |

†Additional brackets will be included at 11', 14', 17', 20', 23', 26', and 29'. See page 52 for bracket specifications.

Traversing Accessories: Page 49 of Catalog

| Accessories & Charges | Product # | Unit | Price | Additional Information | | | | | |
|------------------------------------|------------|------|--------------------|--|-------------------|---------|-------------------|-----|----|
| Additional Traversing Glides | TRGL | EACH | 3 | Specify Quantity in Order / Standard is Four per Foot | | | | | |
| Additional Traversing Cord (white) | TRCR | FOOT | 2 | Specify Length in Order / Standard is Eight Feet | | | | | |
| Strike Off Charge (net) | IASTRIKE | EACH | 65 | One time strike off charge for custom finish | | | | | |
| Miter with Return | IT307MR | EACH | 107 | Available in 3½", 4½", 6", and 7" | | | | | |
| "C" Ring Styles (Front Rod Only) | Product # | Unit | 1½" Inner Diameter | | 2" Inner Diameter | | 3" Inner Diameter | | |
| | | | Iron | Italian | Iron | Italian | Iron | | |
| | | | | I, J, K | L | | I, J, K | L | |
| Round Iron "C" Rings | IT/IC350TR | EACH | 19 | 25 | 30 | 21 | 27 | 33 | 24 |
| Round Hammered Iron "C" Rings | IT356TR | EACH | 22 | N/A | N/A | 22 | N/A | N/A | 24 |
| Curve Charges | Product # | Unit | Price | Additional Information | | | | | |
| Single Track Curve | ITBENDCVS | FOOT | 44 | Curve Single Traversing Set - Fascia with Traversing Track | | | | | |
| Double Track Curve | ITBENDCVD | FOOT | 76 | Curve Double Traversing Set - Fascias with Traversing Tracks | | | | | |

* Center open rods come with two master carriers, while one-way draw rods come with one. Front rod carriers each hold two rings.

** Cord drawn traversing sets include cords and cord pulleys. Batons for baton drawn sets are sold separately.

*** Ceiling mount support brackets have a 2" drop for rods without rings, and a 3" drop for rods with rings.

FASCIA DESIGNS

DT8021 - Acanthus Height: 3½"



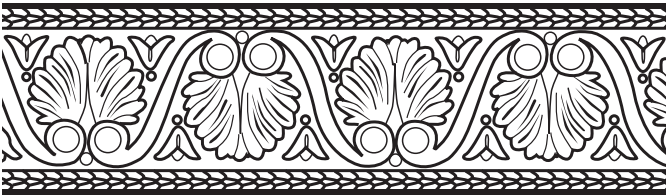
DT8023 - Tulip Height: 3½"



DT8034 - Spring Leaf Height: 3¾"



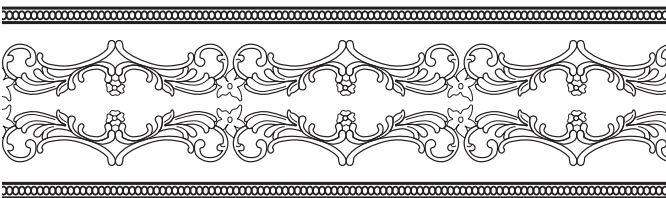
DT8026 - Baroque Height: 3¾"



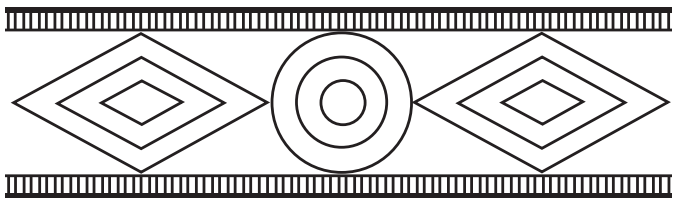
DT8036 - Sea Shore Height: 3¾"



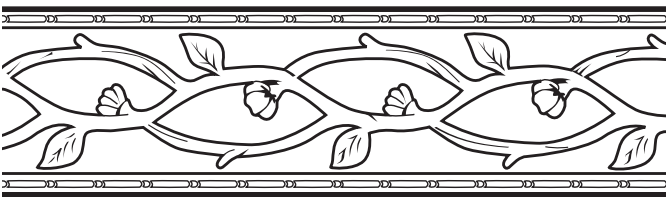
DT8028 - Embossed Height: 27/8"



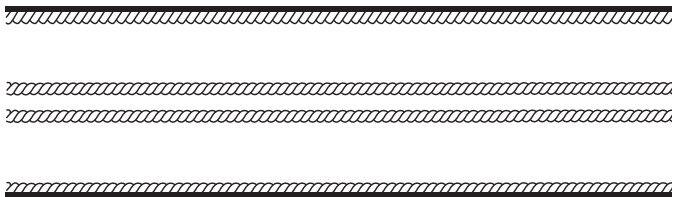
DT8055 - Infinite Geometry Height: 35/8"



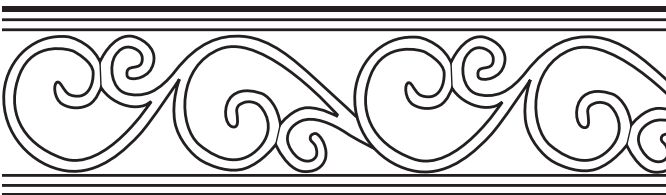
DT8030 - Bud Branch Height: 3½"



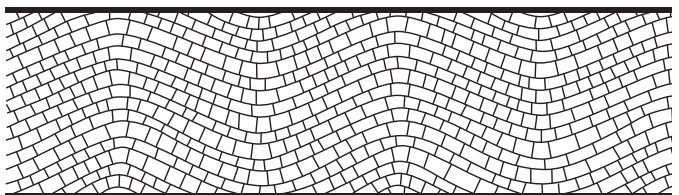
DT8057 - Classic Height: 3½"



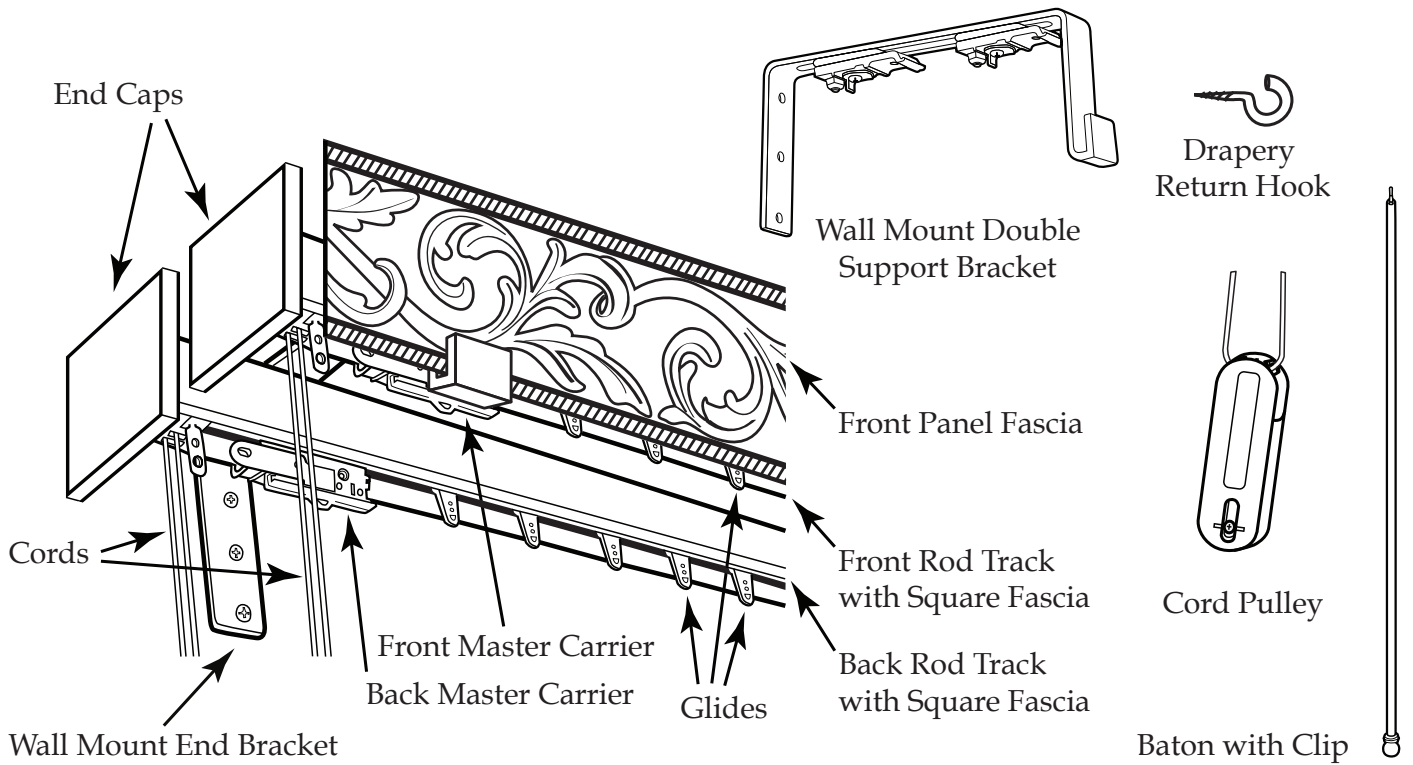
DT8032 - Spanish Scroll Height: 3½"



DT8059 - Royal Road Height: 3½"

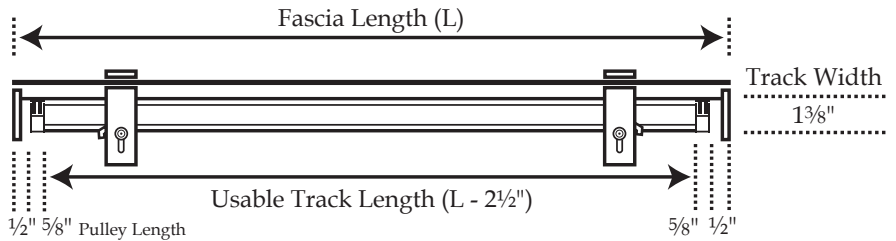


DECO LITE TRAVERSING



MEASUREMENT GUIDELINES

- Please specify fascia length when ordering.
- Usable Track length will be 2½" shorter than fascia length. (L - 2½")



Deco Lite Traversing Systems

Traversing Systems designed to meet all of the custom needs of interior designers.

- Single or Double Systems in Decorative Deco Lite Fascias.
- 11 Deco Lite Designs.
- Up to 30 Feet in Length.
- Heavy Duty Track and Accessories Automatically Included.
- End and Support Brackets in Iron Customized for Heavy Duty Applications.
- Wall Mount or Ceiling Mount Brackets have Expandable Projections.
- Each Rod Includes a 1¼" Diameter Smooth Square Iron Fascia and End Caps.
- Cord Draw or Baton Draw.
- Pinch Pleat or RippleFold.
- 36 Iron Art™ Finishes for Deco Lite Fascia, Rod Fascia, End Caps, and Brackets.
- Custom Finishes Available.
- Five Finishes for Traversing Tracks: Antique Bronze, Black, Gold, Silver, and White.
- Pinch Pleat and RippleFold Glides are White.
- Heavy Duty Packaging.
- Shipped in 15 Business Days.

Deco Lite Traversing Set Guide: Iron Bracket, Glide, and Ring Quantities

| Product | Unit | QTY | Product | Unit | QTY |
|---|------|-----|---|------|-----|
| Iron End Brackets Single Bracket Back Plate: H 4½" W 1" Double Bracket Back Plate: H 4½" W 1½" | SET | 2 | Glides Including Master Carrier | FOOT | 4 |

Deco Lite Traversing: Ordering Information

- Sets automatically include: front panel fascia, square rod fascia, end caps, heavy duty tracks, glides, master carriers*, cords, and cord pulleys**, drapery return hooks, two end brackets, and support brackets as needed per length.
- Items sold separately: batons.
- Rod set finishes: front panel fascia, square rod fascia, end caps, brackets, return hooks, master carriers, and batons are finished as per finish specified in order.
- Track finishes are available in Antique Bronze, Black, Gold, Silver, and White.
- Pinch pleat or RippleFold glides are white. Pinch pleat glides are supplied four per foot.
- Please state fullness of 60%, 80%, 100%, or 120% when ordering RippleFold.
- If desired, you may specify a baton drawn system. **Batons are sold separately.**
Please see page 27 for Iron Art™ batons.
- When ordering, please specify the Deco Lite design number, cord length (standard is 8'), cord placement (left or right), and draw (left stack, right stack, or center open).
- Please specify wall or ceiling mount end brackets when ordering.
- Deco Lite Traversing set pricing is rounded up to the next foot.
- Maximum fabric weight for a 16' track is 62 lbs. for the heavy duty traverse track (automatically provided in each set).
- All heavy duty tracks and fascia are available up to 30' (360"), and are assembled and shipped in one piece. Front panel fascia comes as a single piece only. Tracks over 16' (192") are spliced. Tracks 16' (192") or less **will not** be spliced. Please contact customer service for the availability of 19' (228") lengths without a splice.
- The maximum width for FedEx/UPS shipments is 102". All rods over 102" must be shipped by common carrier (truck line). Please note residential truck deliveries are restricted to 24' (288").
- Custom finish: 40% additional charge. Please add a one time strike off charge (Product #IASTRIKE).

Deco Lite Traversing Sets: Page 50 of Catalog

(Add Finials, Rings, Accessories, and Miscellaneous Charges Where Applicable)

| Style | Set # | 4 Feet | 5 Feet | 6 Feet | 7 Feet | 8 Feet | 9 Feet | 10 Feet | Additional Foot |
|------------------------------|--------|--------|--------|--------|--------|--------|--------|---------|-----------------------|
| Single System | DTKT-S | 684 | 847 | 1289 | 1436 | 1732 | 1935 | 2136 | 285 |
| Double System | DTKT-D | 1156 | 1475 | 1700 | 1920 | 2239 | 2461 | 2682 | 418 |
| Number of Brackets Included: | | 2 | 3 | 3 | 3 | 4 | 4 | 4 | See Note [†] |

[†]Additional brackets will be included at 11', 14', 17', 20', 23', 26', and 29'. See page 59 for bracket specifications.

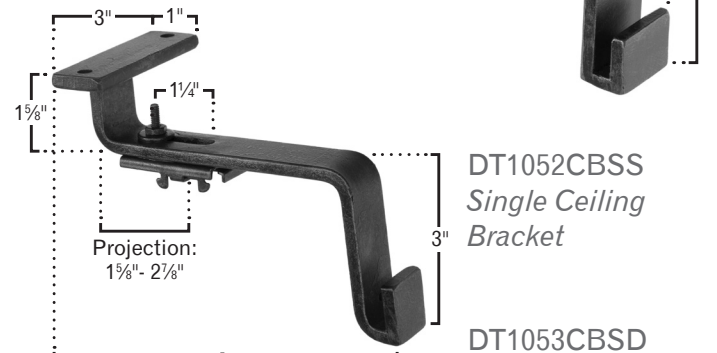
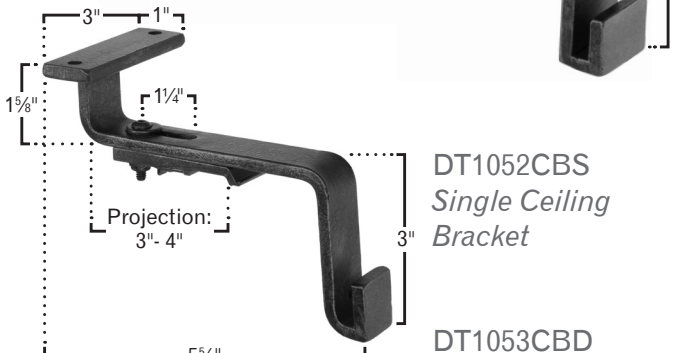
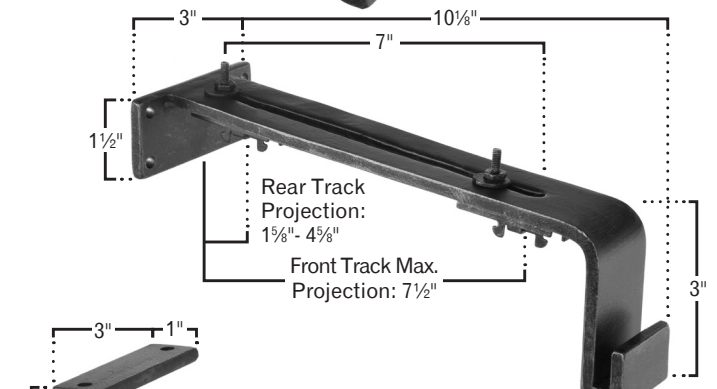
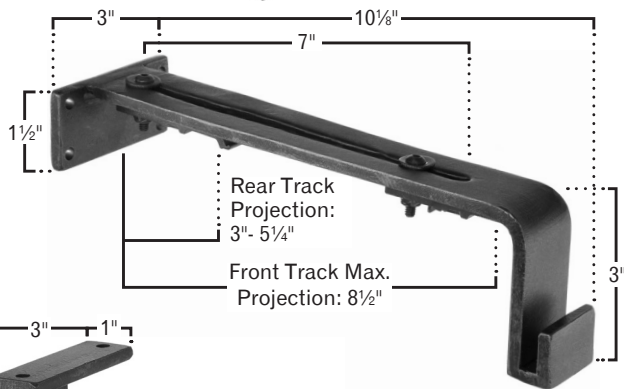
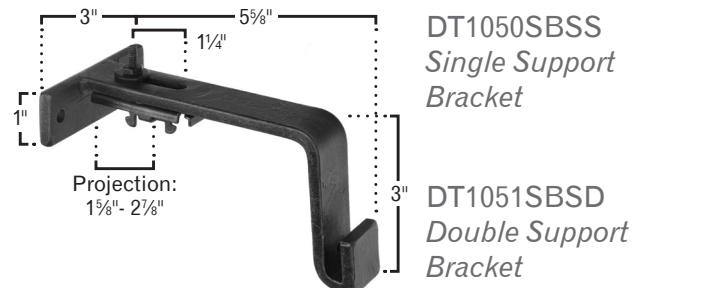
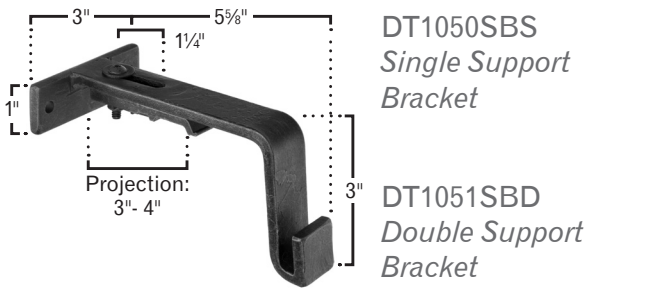
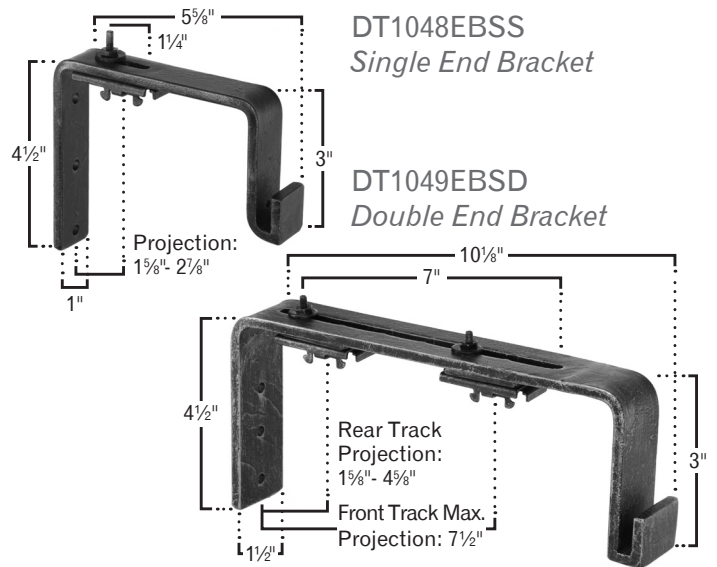
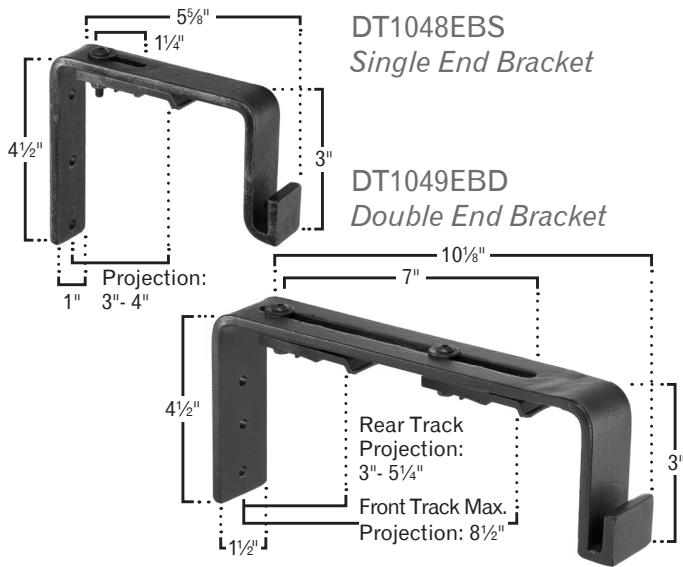
Deco Lite Accessories: Page 49 of Catalog

| Accessories & Charges | Product # | Unit | Price | Additional Information |
|---------------------------------------|------------|------|-------|---|
| Additional Traversing Glides | TRGL | EACH | 3 | Specify Quantity in Order / Standard is Four per Foot |
| Additional Traversing Cord (white) | TRCR | FOOT | 2 | Specify Length in Order / Standard is Eight Feet |
| Strike Off Charge (net) | IASTRIKE | EACH | 65 | One time strike off charge for custom finish |
| Additional Manual Support Brackets | Product # | Unit | Price | Additional Information |
| Single End Bracket | DT1048EBS | EACH | 38 | 3" to 4" Projection / Back Plate: H 4 1/2" W 1" |
| Double End Bracket | DT1049EBD | EACH | 45 | Back Plate: H 4 1/2" W 1 1/2" |
| Single Support Bracket | DT1050SBS | EACH | 38 | 3" to 4" Projection / Back Plate: H 1" W 3" |
| Double Support Bracket | DT1051SBD | EACH | 45 | 3 1/4"- 5 1/2" Available Space Between Tracks |
| Single Ceiling Bracket | DT1052CBS | EACH | 43 | 3" to 4" Projection / Ceiling Plate: H 1" W 3" |
| Double Ceiling Bracket | DT1053CBD | EACH | 50 | 3 1/4"- 5 1/2" Available Space Between Tracks |
| Additional Motorized Support Brackets | Product # | Unit | Price | Additional Information |
| Single End Bracket | DT1048EBSS | EACH | 38 | 1 5/8" to 2 7/8" Projection / Back Plate: H 4 1/2" W 1" |
| Double End Bracket | DT1049EBSD | EACH | 45 | Back Plate: H 4 1/2" W 1 1/2" |
| Single Support Bracket | DT1050SBSS | EACH | 38 | 1 5/8" to 2 7/8" Projection / Back Plate: H 1" W 3" |
| Double Support Bracket | DT1051SBSD | EACH | 45 | 3"- 6" Available Space Between Tracks |
| Single Ceiling Bracket | DT1052CBSS | EACH | 43 | 1 5/8" to 2 7/8" Projection / Ceiling Plate: H 1" W 3" |
| Double Ceiling Bracket | DT1053CBSD | EACH | 50 | 3"- 6" Available Space Between Tracks |

* Center open rods come with two master carriers, while one-way draw rods come with one.

** Cord drawn traversing sets include cords and cord pulleys. Batons for baton drawn sets are sold separately.

Bracket Guide: Deco Lite Manual and Motorized Traversing

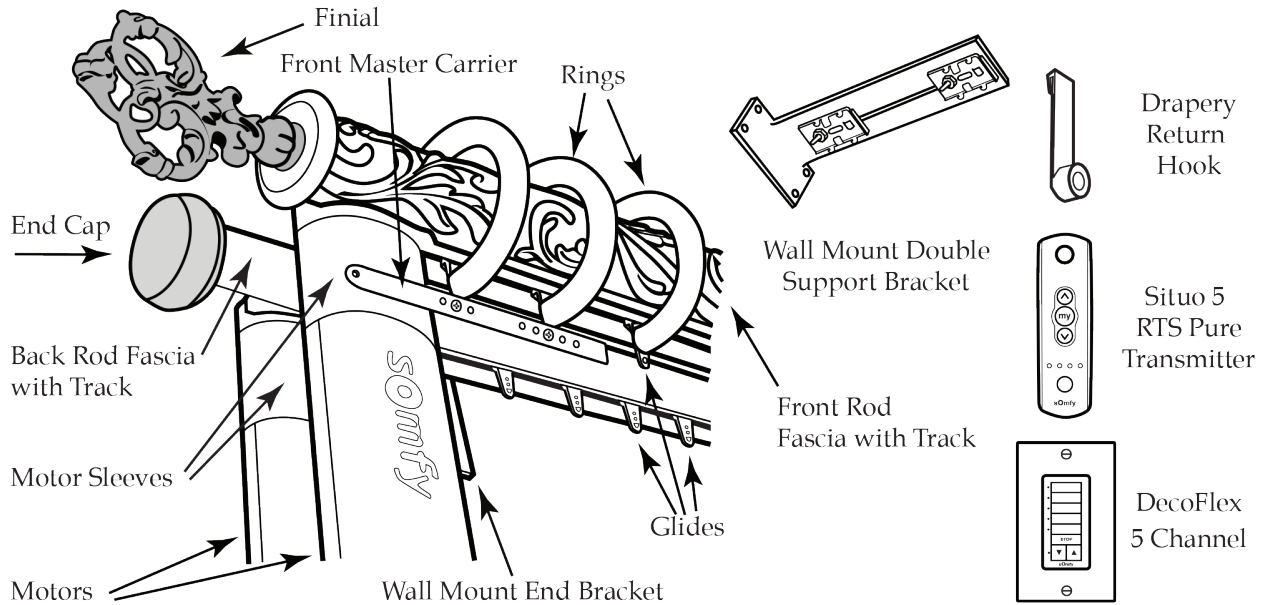


Space between double manual tracks is 3 1/4" - 5 1/2".

Space between double motorized tracks is 3" - 6".

TRAVERSING WITH SOMFY

CHOOSE. TOUCH. RELAX.™



Traversing Systems with Somfy

Designed to meet all of the custom needs of interior designers.

- Single or Double Systems in Iron, Italian, Wood, Deco Lite or Tuscany Rod Fascia.
- Up to 30 Feet in Length.
- Heavy Duty Track and Accessories Automatically Included.
- End and Support Brackets in Iron Customized for Heavy Duty Applications.
- Wall Mount or Ceiling Mount Brackets with Expandable Projections.
- Front Track with or without Rings.
- Back Rod Fascia Automatically Includes End Caps (Finished).
- Iron, Italian, and Tuscany Rods May be Bent or Curved (Excludes Square Fascia Styles or Systems with Rings).
- Five Finishes for Traversing Tracks: Antique Bronze, Black, Gold, Silver, & White.
- Pinch Pleat or RippleFold.
- Track Color Coordinating Pinch Pleat Glides for Systems with Rings. Pinch Pleat Without Rings and RippleFold Glides are White.
- Miter Return Available.
- Heavy Duty Packaging.
- Shipped in 15 Business Days.

Iron Rod Fascia Styles:

- 36 Iron Art™ Finishes and 13 Italian Collection Finishes for Rod Fascia, Finials, Rings, Brackets & End Caps (Back Rod Fascia Only).
- Rod Fascias: Round, Square, Fluted, and Round Hammered.
- Custom Finishes Available on Iron Fascia.
- Choose Finials From: Iron - Iron Finials, Bohemia Collection, and Village Forge Collection. Italian - Italian Finial & Bohemia Collection.
- Back Rod in Double Traverse System Comes with Iron Fascia 1 1/4" Diameter to Match Front Rod Style.

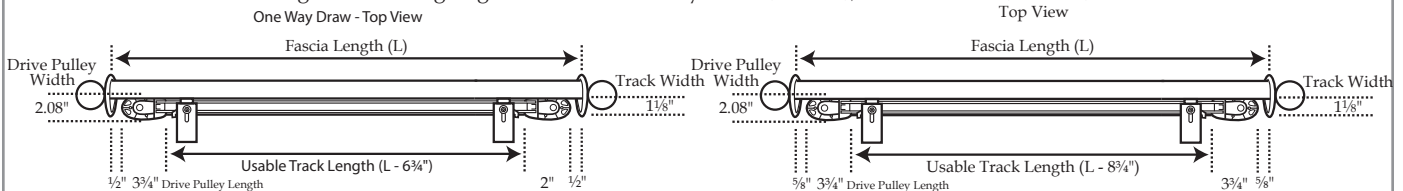
Wood Rod Fascia Styles:

- 11 Wood Art™ Finishes for Rod Fascia, Finials, Rings, Brackets & End Caps (Back Rod Fascia Only).
- Rod Fascias and Diameters: Round: 2", 2 1/4", and 3" Fluted: 2", 2 1/4", and 3"
- Custom Finishes Available on Wood Fascia.
- Select Finials from New York Wood, Wood Craft, Rosina, Bohemia, and Iron Collections.
- Back Rod in Double Traverse System Comes with Wood Fascia 1 3/8" Diameter to Match Front Rod Style.

Tuscany Traversing Fascia Styles:

- 36 Iron Art™ Finishes for Rod Fascia, Finials, Rings, Brackets & End Caps (Back Rod Fascia Only).
- Rod Fascias: 11 Tuscany Designs.
- Custom Finishes Available on Tuscany Fascia.
- Choose Finials From: Iron Finials, Bohemia Collection, and Village Forge Collection.
- Back Rod in Double Traverse System Comes with Iron Fascia 1 1/4" Diameter to Match Front Rod Style.

MEASUREMENT GUIDELINES • Please specify fascia length when ordering. • Usable Track length will be shorter than fascia length. For usable track length when using rings deduct: For one way draw: (L - 7 1/2"), Center draw: (L - 9 1/2")



SOMFY MOTORIZATION SYSTEM

- Somfy Glydea ULTRA 35 Zigbee and Glydea ULTRA 60 Zigbee Motors available upon request at same price as RTS motors.
- Somfy Ysia 1 channel Zigbee, Ysia 5 channel Zigbee remotes and Smart Plug Zigbee available upon request.
- Track, Fascia, Glides/Rings Come Assembled; Made-to-Measure.
- Round Iron Rods May be Bent or Curved. Tuscany Rods May be Curved.
- Smooth & Quiet Operation (<44dBA).
- Radio Frequency (RTS), Dry Contact (DCT), Infrared, RS485 Digital Technology, Z-Wave, and ZigBee Control Options.
- Manual Override System Allows Drapery to be Drawn During Power Outages.
- Touch Motion with Two Sensitivity Settings Allows the User to Activate the Motorized Drapery Simply by Pulling on the Fabric.
- "My Function" Allows User to Set a Preferred Drapery Openness Position for Easy Access.
- Two Drapery Heading Types: Pinch Pleat or Ripplefold.
- Three Draw Options: Left Stack, Right Stack, Center Open.

| IRISMO 35 MINI DC: | IRISMO 45 WIREFREE: | GLYDEA 35E AND 60E: |
|--|--|--|
| <ul style="list-style-type: none"> • 24V DC Low Voltage Power Supply with 13.2 Ft. Cord. • Traverses up to 77 Lbs. | <ul style="list-style-type: none"> • Rechargeable 26.5V Lithium Ion Battery (Charger Sold Separately). • Traverses up to 99 Lbs. | <ul style="list-style-type: none"> • Glydea Motor Plugs Directly into Standard 110 V AC Duplex Wall Outlet (Comes with 10 Ft. Plug). • 35e Traverses up to 77 Lbs. • 60e Traverses up to 132 Lbs. |
| | | |

See pages 68-69 for more specifications.

Traversing with Somfy: Ordering Information

1. Sets automatically include: rod fascia, heavy duty tracks, Somfy motors, motor sleeves, glides, master carriers*, drapery return hooks, two end brackets, support brackets as needed per length, and back rod end caps (for double rods only).
2. Items sold separately: finials, rings (front rod with pinch pleat glides only), and control accessories.
3. Rod set finishes: rods, brackets, rings, motor sleeves, pulley caps, and master carriers are finished as per finish specified in order.
4. Track finishes are available in Antique Bronze, Black, Gold, Silver, and White.
5. Glides for systems with rings using pinch pleats coordinate with the five track finishes. Pinch pleats not using rings and RippleFold glides are only available in White. Pinch pleat glides are supplied four per foot.
6. Please state fullness of 80%, 100%, or 120% when ordering RippleFold.
7. Traversing rods come with or without rings on the front rods with pinch pleat glides only. Back rods and RippleFold glides do not accommodate rings. Two stationary rings are placed on each end for center open systems, one ring is placed on the stack side for one-way draw systems.
8. When ordering, specify motor placement (left or right), and draw (left stack, right stack, or center open).
9. Please specify wall or ceiling mount end brackets when ordering. Due to limited clearance, we recommend using end caps as finials with ceiling mount brackets. Please contact customer service for a list of other finials which may be used.
10. Somfy traversing set pricing is rounded up to the next foot.
11. Maximum fabric weight for a 16' track is 62 lbs. for the heavy duty traverse track (automatically provided in each set).
12. All Somfy traversing tracks come assembled and shipped in one piece.
 - **All heavy duty tracks, iron rods, and wood poles (all diameters) are available in 16' (192") lengths without a splice, and up to 30' (360") with a splice. Please contact customer service for the availability of 19' (228") lengths without a splice.**
 - Italian Collection iron rods are available in 10' (108") lengths without a splice, and up to 20' (216") with a splice.
13. The maximum width for a FedEx/UPS shipment is 8' 6" (102") (One-way draw is not spliced for FedEx/UPS). All sets over this must be shipped by common carrier (truck line). Please note residential truck deliveries are restricted to 24' (288").
14. When ordering with miter returns, please add Product #IT307MR, #IC307MR, or #WT307MR. The width entered should be the track measurement. Returns are available as 3½", 4½", 6", and 7".
15. Iron, Italian, and Tuscany Traversing rods can be curved, and Iron and Italian traversing rods can be bent (excludes square fascia styles and systems with rings). Please see bend and curve charges on page 65.
16. Custom finish: 40% additional charge. Please add a one time strike off charge (Product #IASTRIKE).

* Center open rods come with two master carriers, while one-way draw rods come with one. Front rod carriers each hold two rings.

Single Traversing with Somfy Sets: Pages 52-55 of Catalog

(Add Finials, Rings, Controls, and Miscellaneous Charges Where Applicable)

| Style | Set # | 4 Feet | 5 Feet | 6 Feet | 7 Feet | 8 Feet | 9 Feet | 10 Feet | Additional Foot |
|---|------------|----------|----------|----------|----------|----------|----------|----------|-----------------|
| Track Only | ST60E-S | 2021 | 2093 | 2156 | 2220 | 2282 | 2354 | 2417 | 66 |
| Tuscany Traversing (11 Designs) | TTST-S | 3030 | 3343 | 3622 | 3901 | 4180 | 4493 | 4773 | 292 |
| Deco Lite Traversing (11 Designs) | DTST-S | 2887 | 3255 | 3541 | 3825 | 4167 | 4480 | 4766 | 351 |
| Designers' Choice: Iron | | | | | | | | | |
| Round 1½" Dia. | STRR-S-112 | 2614 | 2887 | 3128 | 3366 | 3607 | 3879 | 4120 | 251 |
| Round 2" Dia. | STRR-S-200 | 2622 | 2902 | 3149 | 3398 | 3646 | 3926 | 4174 | 260 |
| Round 3" Dia. | STRR-S-300 | 2794 | 3089 | 3351 | 3615 | 3879 | 4174 | 4437 | 274 |
| Round Hammered 1½" Diameter | STRH-S-112 | 2762 | 3049 | 3306 | 3561 | 3817 | 4103 | 4360 | 267 |
| Round Hammered 2" Diameter | STRH-S-200 | 2770 | 3064 | 3328 | 3592 | 3857 | 4150 | 4415 | 274 |
| Round Hammered 3" Diameter | STRH-S-300 | 2926 | 3236 | 3514 | 3794 | 4073 | 4384 | 4663 | 289 |
| Square 1½" Dia. | STSQ-S-112 | 2809 | 3089 | 3337 | 3585 | 3833 | 4112 | 4360 | 271 |
| Square 2" Dia. | STSQ-S-200 | 2824 | 3110 | 3366 | 3625 | 3879 | 4167 | 4423 | 280 |
| Fluted 1½" Dia. | STFL-S-112 | 2887 | 3181 | 3444 | 3709 | 3973 | 4267 | 4532 | 287 |
| Fluted 2" Dia. | STFL-S-200 | 2902 | 3204 | 3476 | 3748 | 4019 | 4320 | 4593 | 295 |
| Designers' Choice: Italian | | | | | | | | | |
| Designers' Choice: Italian (Finish Group I, J, K) | | | | | | | | | |
| Round 1½" Dia. | STIR-S-112 | 3002 | 3339 | 3631 | 3922 | 4215 | 4550 | 4842 | 307 |
| Round 2" Dia. | STIR-S-200 | 3018 | 3361 | 3662 | 3962 | 4263 | 4605 | 4905 | 314 |
| Square 1½" Dia. | STIQ-S-112 | 3034 | 3377 | 3678 | 3979 | 4278 | 4620 | 4921 | 314 |
| Square 2" Dia. | STIQ-S-200 | 3049 | 3401 | 3709 | 4018 | 4325 | 4677 | 4985 | 322 |
| Designers' Choice: Italian (Finish Group L) | | | | | | | | | |
| Round 1½" Dia. | STIR-S-112 | 3302 | 3672 | 3994 | 4314 | 4635 | 5005 | 5327 | 338 |
| Round 2" Dia. | STIR-S-200 | 3321 | 3697 | 4028 | 4357 | 4689 | 5067 | 5396 | 345 |
| Square 1½" Dia. | STIQ-S-112 | 3339 | 3716 | 4047 | 4377 | 4706 | 5083 | 5414 | 345 |
| Square 2" Dia. | STIQ-S-200 | 3355 | 3741 | 4080 | 4421 | 4758 | 5144 | 5482 | 354 |
| Designers' Choice: Wood | | | | | | | | | |
| Smooth 2" Dia. | STSM-S-200 | 2556 | 2830 | 3073 | 3315 | 3558 | 3831 | 4074 | 253 |
| Smooth 2¼" Dia. | STSM-S-214 | 2556 | 2830 | 3073 | 3315 | 3558 | 3831 | 4074 | 253 |
| Smooth 3" Dia. | STSM-S-300 | 2603 | 2890 | 3148 | 3406 | 3663 | 3952 | 4211 | 268 |
| Fluted 2" Dia. | STWF-S-200 | 2556 | 2830 | 3073 | 3315 | 3558 | 3831 | 4074 | 253 |
| Fluted 2¼" Dia. | STWF-S-214 | 2556 | 2830 | 3073 | 3315 | 3558 | 3831 | 4074 | 253 |
| Fluted 3" Dia. | STWF-S-300 | 2603 | 2890 | 3148 | 3406 | 3663 | 3952 | 4211 | 268 |
| Number of Brackets Included: | | 3 | 4 | 4 | 4 | 5 | 5 | 5 | See Note* |

*Additional bracket will be included at 11', 14', 17', 20', 23', 26', and 29'. See pages 66-67 for bracket specifications.

Set prices shown include the Glydea 60e RTS or DCT heavy duty motor.
 For an Irismo 45 WireFree motor plus charger, add \$95 to the set price.
 For Irismo 35 Mini DC or Glydea 35e motors, deduct \$50 from the set price.
 If supplying a motor, deduct \$500 from the set price.
 Please note your motor selection or if you are supplying a motor on your order.

Double Traversing with Somfy Sets: Pages 52-55 of Catalog

(Add Finials, Rings, Controls, and Miscellaneous Charges Where Applicable)

| Style | Set # | 4 Feet | 5 Feet | 6 Feet | 7 Feet | 8 Feet | 9 Feet | 10 Feet | Additional Foot |
|---|------------|----------|----------|----------|----------|----------|----------|----------|-----------------|
| Track Only | ST60E-D | 4044 | 4184 | 4311 | 4438 | 4565 | 4707 | 4833 | 132 |
| Tuscany Traversing (11 Designs) | TTST-D | 5805 | 6231 | 6611 | 6993 | 7372 | 7937 | 8181 | 396 |
| Deco Lite Traversing (11 Designs) | DTST-D | 6112 | 6647 | 7136 | 7570 | 8059 | 8677 | 8919 | 505 |
| Designers' Choice: Iron | | | | | | | | | |
| Round 1½" Dia. | STRR-D-112 | 5292 | 5674 | 6017 | 6357 | 6698 | 7083 | 7423 | 354 |
| Round 2" Dia. | STRR-D-200 | 5306 | 5698 | 6048 | 6397 | 6745 | 7136 | 7486 | 364 |
| Round 3" Dia. | STRR-D-300 | 5337 | 5736 | 6094 | 6450 | 6807 | 7206 | 7563 | 370 |
| Round Hammered 1½" Diameter | STRH-D-112 | 5322 | 5713 | 6063 | 6411 | 6761 | 7153 | 7502 | 364 |
| Round Hammered 2" Diameter | STRH-D-200 | 5337 | 5736 | 6094 | 6450 | 6807 | 7206 | 7563 | 370 |
| Round Hammered 3" Diameter | STRH-D-300 | 5369 | 5775 | 6140 | 6505 | 6869 | 7276 | 7640 | 379 |
| Square 1½" Dia. | STSQ-D-112 | 5408 | 5783 | 6117 | 6450 | 6784 | 7159 | 7493 | 348 |
| Square 2" Dia. | STSQ-D-200 | 5423 | 5806 | 6148 | 6489 | 6831 | 7213 | 7555 | 354 |
| Fluted 1½" Dia. | STFL-D-112 | 5532 | 5931 | 6287 | 6644 | 7002 | 7401 | 7757 | 370 |
| Fluted 2" Dia. | STFL-D-200 | 5548 | 5953 | 6318 | 6683 | 7048 | 7454 | 7819 | 379 |
| Designers' Choice: Italian | | | | | | | | | |
| Designers' Choice: Italian (Finish Group I, J, K) | | | | | | | | | |
| Round 1½" Dia. | STIR-D-112 | 5964 | 6453 | 6890 | 7327 | 7766 | 8253 | 8690 | 455 |
| Round 2" Dia. | STIR-D-200 | 5981 | 6477 | 6923 | 7369 | 7814 | 8312 | 8757 | 462 |
| Square 1½" Dia. | STIQ-D-112 | 5973 | 6469 | 6915 | 7361 | 7807 | 8303 | 8748 | 462 |
| Square 2" Dia. | STIQ-D-200 | 5990 | 6492 | 6948 | 7403 | 7856 | 8360 | 8815 | 472 |
| Designers' Choice: Italian (Finish Group L) | | | | | | | | | |
| Round 1½" Dia. | STIR-D-112 | 6560 | 7097 | 7579 | 8061 | 8543 | 9077 | 9560 | 501 |
| Round 2" Dia. | STIR-D-200 | 6578 | 7125 | 7615 | 8106 | 8597 | 9143 | 9634 | 508 |
| Square 1½" Dia. | STIQ-D-112 | 6571 | 7116 | 7605 | 8097 | 8587 | 9132 | 9623 | 508 |
| Square 2" Dia. | STIQ-D-200 | 6589 | 7141 | 7643 | 8142 | 8643 | 9196 | 9695 | 518 |
| Designers' Choice: Wood | | | | | | | | | |
| Smooth 2" Dia. | STSM-D-200 | 5159 | 5526 | 5851 | 6179 | 6504 | 6871 | 7197 | 339 |
| Smooth 2¼" Dia. | STSM-D-214 | 5159 | 5526 | 5851 | 6179 | 6504 | 6871 | 7197 | 339 |
| Smooth 3" Dia. | STSM-D-300 | 5188 | 5571 | 5913 | 6254 | 6596 | 6978 | 7319 | 354 |
| Fluted 2" Dia. | STWF-D-200 | 5159 | 5526 | 5851 | 6179 | 6504 | 6871 | 7197 | 339 |
| Fluted 2¼" Dia. | STWF-D-214 | 5159 | 5526 | 5851 | 6179 | 6504 | 6871 | 7197 | 339 |
| Fluted 3" Dia. | STWF-D-300 | 5188 | 5571 | 5913 | 6254 | 6596 | 6978 | 7319 | 354 |
| Number of Brackets Included: | | 3 | 4 | 4 | 4 | 5 | 5 | 5 | See Note* |

*Additional bracket will be included at 11', 14', 17', 20', 23', 26', and 29'. See pages 66-67 for bracket specifications.

Set prices shown include Glydea 60e RTS or DCT heavy duty motors.
 For Irismo 45 WireFree motors plus chargers, add \$190 to the set price.
 For Irismo 35 Mini DC or Glydea 35e motors, deduct \$100 from the set price.
 If supplying motors, deduct \$1000 from the set price.
 Please note your motor selection or if you are supplying motors on your order.

Stationary Rod Front And Trav Fascia In Back

Includes 2 End Brackets and 2 End Caps for Back Traversing Fascia. Fascia will be 1¼"

| Style | Set # | 4 Feet | 5 Feet | 6 Feet | 7 Feet | 8 Feet | 9 Feet | 10 Feet | Additional Foot |
|---|---------------|----------|----------|----------|----------|----------|----------|----------|-----------------|
| Designers' Choice: Iron | | | | | | | | | |
| Round 1¼" Dia. | SSTA-ITRR-114 | 2687 | 2959 | 3199 | 3440 | 3680 | 3952 | 4194 | 279 |
| Round 1½" Dia. | SSTA-ITRR-112 | 2691 | 2963 | 3204 | 3443 | 3684 | 3956 | 4197 | 282 |
| Round 2" Dia. | SSTA-ITRR-200 | 2708 | 2986 | 3234 | 3482 | 3730 | 4010 | 4258 | 297 |
| Round 3" Dia. | SSTA-ITRR-300 | 2889 | 3183 | 3446 | 3712 | 3976 | 4269 | 4533 | 323 |
| Round Hammered 1¼" Diameter | SSTA-ITRH-114 | 2847 | 3135 | 3391 | 3647 | 3903 | 4190 | 4446 | 306 |
| Round Hammered 1½" Diameter | SSTA-ITRH-112 | 2852 | 3139 | 3396 | 3650 | 3908 | 4195 | 4450 | 311 |
| Round Hammered 2" Diameter | SSTA-ITRH-200 | 2869 | 3162 | 3426 | 3690 | 3953 | 4248 | 4513 | 326 |
| Round Hammered 3" Diameter | SSTA-ITRH-300 | 3035 | 3345 | 3625 | 3903 | 4183 | 4493 | 4771 | 353 |
| Square 1¼" Dia. | SSTA-ITSQ-114 | 2882 | 3161 | 3410 | 3658 | 3906 | 4184 | 4432 | 297 |
| Square 1½" Dia. | SSTA-ITSQ-112 | 2886 | 3164 | 3413 | 3661 | 4143 | 4188 | 4436 | 301 |
| Square 2" Dia. | SSTA-ITSQ-200 | 2907 | 3195 | 3452 | 3708 | 3964 | 4251 | 4507 | 318 |
| Designers' Choice: Italian | | | | | | | | | |
| Designers' Choice: Italian (Finish Group I, J, K) | | | | | | | | | |
| Round 1¼" Dia. | SSTA-ICRR-114 | 3120 | 3455 | 3747 | 4039 | 4332 | 4666 | 4959 | 367 |
| Round 1½" Dia. | SSTA-ICRR-112 | 3154 | 3489 | 3782 | 4073 | 4366 | 4701 | 4993 | 386 |
| Round 2" Dia. | SSTA-ICRR-200 | 3181 | 3524 | 3826 | 4125 | 4425 | 4769 | 5069 | 398 |
| Square 1¼" Dia. | SSTA-ICSQ-114 | 3150 | 3494 | 3795 | 4094 | 4395 | 4738 | 5038 | 375 |
| Square 1½" Dia. | SSTA-ICSQ-112 | 3187 | 3529 | 3829 | 4128 | 4430 | 4772 | 5073 | 394 |
| Square 2" Dia. | SSTA-ICSQ-200 | 3213 | 3564 | 3872 | 4182 | 4489 | 4840 | 5148 | 407 |
| Designers' Choice: Italian (Finish Group L) | | | | | | | | | |
| Round 1¼" Dia. | SSTA-ICRR-114 | 3432 | 3801 | 4122 | 4443 | 4765 | 5133 | 5454 | 404 |
| Round 1½" Dia. | SSTA-ICRR-112 | 3471 | 3837 | 4159 | 4481 | 4803 | 5171 | 5493 | 425 |
| Round 2" Dia. | SSTA-ICRR-200 | 3500 | 3878 | 4208 | 4512 | 4869 | 5245 | 5575 | 439 |
| Square 1¼" Dia. | SSTA-ICSQ-114 | 3466 | 3845 | 4173 | 4505 | 4835 | 5212 | 5543 | 413 |
| Square 1½" Dia. | SSTA-ICSQ-112 | 3506 | 3881 | 4212 | 4542 | 4873 | 5250 | 5580 | 432 |
| Square 2" Dia. | SSTA-ICSQ-200 | 3535 | 3920 | 4259 | 4599 | 4939 | 5325 | 5663 | 448 |
| Designers' Choice: Wood | | | | | | | | | |
| Smooth 2" Dia. | SSTA-STSM-200 | 2873 | 3190 | 3476 | 3763 | 4050 | 4368 | 4653 | 297 |
| Smooth 2¼" Dia. | SSTA-STSM-214 | 2873 | 3190 | 3476 | 3763 | 4050 | 4368 | 4653 | 300 |
| Smooth 3" Dia. | SSTA-STSM-300 | 3132 | 3517 | 3874 | 4228 | 4582 | 4969 | 5323 | 366 |
| Fluted 2" Dia. | SSTA-STWF-200 | 2873 | 3190 | 3476 | 3763 | 4050 | 4368 | 4653 | 297 |
| Fluted 2¼" Dia. | SSTA-STWF-214 | 2873 | 3190 | 3476 | 3763 | 4050 | 4368 | 4653 | 300 |
| Fluted 3" Dia. | SSTA-STWF-300 | 3132 | 3517 | 3874 | 4228 | 4582 | 4969 | 5323 | 366 |
| Number of Brackets Included: | | 2 | 3 | 3 | 3 | 4 | 4 | 4 | See Note* |

*Additional brackets will be included at 11', 14', 17', 20', 23', 26', and 29'. See page 66-67 for bracket specifications.

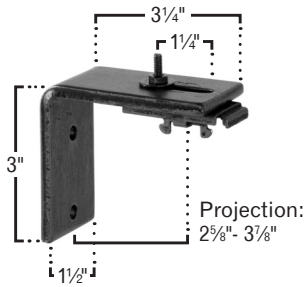
Traversing with Somfy Accessories: Pages 55-57 of Catalog

| Accessories & Charges | Product # | Unit | Price | Additional Information | | | | | | | |
|---|-------------|------|----------------|--|-----|----------------|---------|-----|----------------|----------------|------|
| Additional Traversing Glides | TRGL | EACH | 3 | Specify Quantity in Order / Standard is Four per Foot | | | | | | | |
| Strike Off Charge <i>(net)</i> | IASTRIKE | EACH | 65 | One time strike off charge for custom finish | | | | | | | |
| Miter with Return | | | | | | | | | | | |
| Designers' Choice: Iron | IT307MR | EACH | 107 | Available in 3½", 4½", 6", and 7" | | | | | | | |
| Designers' Choice: Italian | IC307MR | EACH | 113 | Available in 3½", 4½", 6", and 7" | | | | | | | |
| Designers' Choice: Wood | WT307MR | EACH | 88 | Available in 3½", 4½", 6", and 7" | | | | | | | |
| "C" Ring Styles <i>(Front Rod Only)</i> | Product # | Unit | 1½" | | | 2" | | | 2" & 2¼" | 3" | |
| | | | Inner Diameter | | | Inner Diameter | | | Inner Diameter | Inner Diameter | |
| | | | Iron | Italian | | Iron | Italian | | Wood | Iron | Wood |
| | | | | I, J, K | L | | I, J, K | L | | | |
| Round Iron "C" Rings | IT/IC350STR | EACH | 19 | 25 | 30 | 21 | 27 | 33 | N/A | 24 | N/A |
| Square Iron "C" Rings | IT/IC352STR | EACH | 19 | 25 | 30 | 21 | 27 | 33 | N/A | N/A | N/A |
| Round Hammered Iron "C" Rings | IT356STR | EACH | 22 | N/A | N/A | 22 | N/A | N/A | N/A | 24 | N/A |
| Smooth Wood "C" Rings | WT5047STR | EACH | N/A | N/A | N/A | N/A | N/A | N/A | 24 | N/A | 29 |
| Fluted Wood "C" Rings | WT5049STR | EACH | N/A | N/A | N/A | N/A | N/A | N/A | 24 | N/A | 29 |
| Bend and Curve Charges | Product # | Unit | Price | Additional Information | | | | | | | |
| Single Track Bend | ITBENDCRS | EACH | 63 | Bend Single Traversing Set - Fascia with Traversing Track | | | | | | | |
| Double Track Bend | ITBENDCRD | EACH | 126 | Bend Double Traversing Set - Fascias with Traversing Tracks | | | | | | | |
| Single Track Curve | ITBENDCVS | FOOT | 44 | Curve Single Traversing Set - Fascia with Traversing Track | | | | | | | |
| Double Track Curve | ITBENDCVD | FOOT | 76 | Curve Double Traversing Set - Fascias with Traversing Tracks | | | | | | | |
| Control Accessories | Product # | Unit | Price | Additional Information | | | | | | | |
| DecoFlex Table Top Acc., Silver | STTABLE-SL | EACH | 90 | Wireless Switch Accessory - Silver | | | | | | | |
| DecoFlex Table Top Acc., Black | STTABLE-BL | EACH | 90 | Wireless Switch Accessory - Black | | | | | | | |
| Cronis Comfort RTS Wireless Timer | CROWT | EACH | 554 | Single Channel 7 Day Programmable Timer | | | | | | | |
| Sunis Indoor Wireless RTS | SUNIS-SUN | EACH | 607 | Sun Sensor | | | | | | | |
| Thermosunis Indoor Wireless RTS | SUNIS-TMP | EACH | 699 | Sun and Temperature Sensor | | | | | | | |
| Situo 1 Chronis RTS | STRP1-SS | EACH | 591 | Single Channel Zone Control & Programmable Timer - Silver Star | | | | | | | |
| Situo 1 RTS Pure Transmitter | STRP1-PR | EACH | 169 | Single Channel Remote Control - Pure | | | | | | | |
| Situo 1 RTS Silver Transmitter | STRP1-SL | EACH | 264 | Single Channel Remote Control - Silver | | | | | | | |
| Situo 1 RTS Lounge Transmitter | STRP1-LO | EACH | 264 | Single Channel Remote Control - Lounge | | | | | | | |
| Situo 5 RTS Pure Transmitter | STRP5-PR | EACH | 219 | Multi-Channel Remote Control - Pure | | | | | | | |
| Situo 5 RTS Silver Transmitter | STRP5-SL | EACH | 321 | Multi-Channel Remote Control - Silver | | | | | | | |
| Situo 5 RTS Lounge Transmitter | STRP5-LO | EACH | 321 | Multi-Channel Remote Control - Lounge | | | | | | | |
| DecoFlex 1 Channel, White | STSW1-WH | EACH | 393 | Single Channel Wireless Switch - White | | | | | | | |
| DecoFlex 1 Channel, Ivory | STSW1-IV | EACH | 393 | Single Channel Wireless Switch - Ivory | | | | | | | |
| DecoFlex 1 Channel, Black | STSW1-BL | EACH | 454 | Single Channel Wireless Switch - Black | | | | | | | |
| DecoFlex 5 Channel, White | STSW5-WH | EACH | 413 | Multi-Channel Wireless Switch - White | | | | | | | |
| DecoFlex 5 Channel, Ivory | STSW5-IV | EACH | 413 | Multi-Channel Wireless Switch - Ivory | | | | | | | |
| DecoFlex 5 Channel, Black | STSW5-BL | EACH | 475 | Multi-Channel Wireless Switch - Black | | | | | | | |
| TaHoma® switch | SMTRTA-HOMA | EACH | 533 | Control Somfy motors through a smart phone or tablet. Consists of a simple plug in device and free app | | | | | | | |

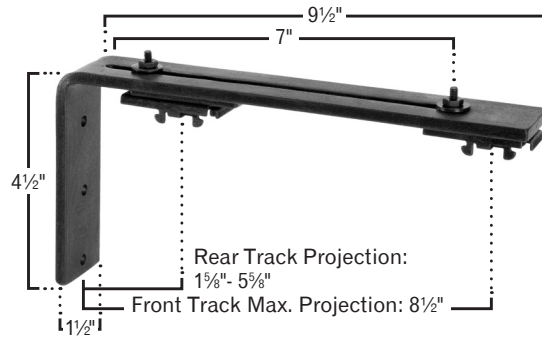
Motorized Traversing Brackets: Page 57 of Catalog

Space between double traversing tracks is 2 7/8" - 6 3/4". See page 59 for Deco Lite Traversing brackets.

Single End Bracket



Double End Bracket



Iron/Wood
IT1048EBSS

Italian
IC1048EBSS
Finish Group I,J,K Finish Group L

\$28

\$47

\$56

Iron/Wood
IT1049EBSD

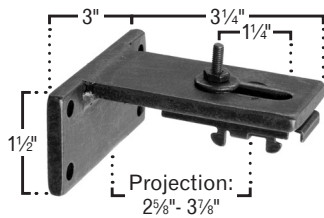
Italian
IC1049EBSD
Finish Group I,J,K Finish Group L

\$38

\$52

\$63

Single Support Bracket



Double Support Bracket



Iron/Wood
IT1050SBSS

Italian
IC1050SBSS
Finish Group I,J,K Finish Group L

\$28

\$47

\$56

Iron/Wood
IT1051BSD

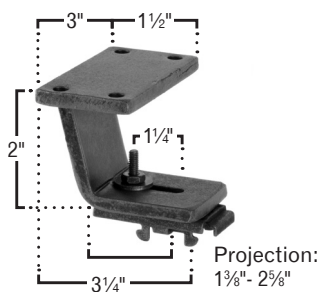
Italian
IC1051BSD
Finish Group I,J,K Finish Group L

\$38

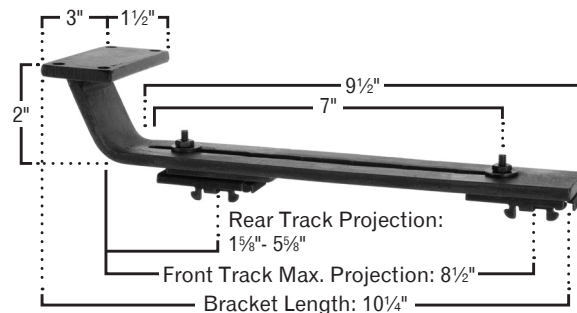
\$52

\$63

Single Ceiling Bracket (for systems without rings)



Double Ceiling Bracket (for systems without rings)



Iron/Wood
IT1052CBSS-2

Italian
IC1052CBSS-2
Finish Group I,J,K Finish Group L

\$28

\$48

\$57

Iron/Wood
IT1053CBSD-2

Italian
IC1053CBSD-2
Finish Group I,J,K Finish Group L

\$39

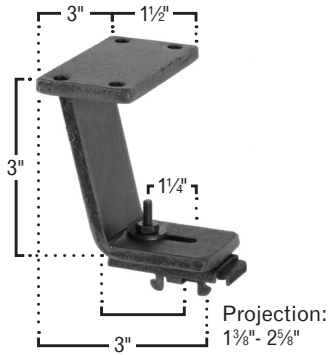
\$52

\$63

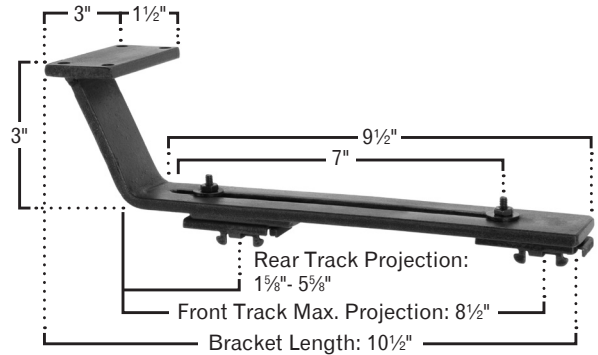
Motorized Traversing Brackets: Page 57 of Catalog

Space between double traversing tracks is 2⁷/₈" - 6³/₄". See page 59 for Deco Lite Traversing brackets.

Single Ceiling Bracket (for systems with rings)

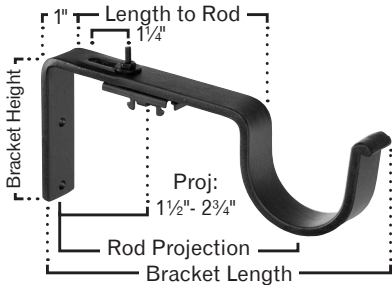


Double Ceiling Bracket (for systems with rings)

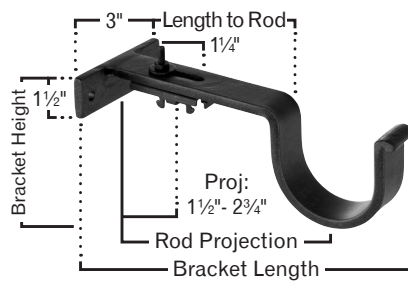


| | | | |
|---------------------------|-------------------------|---------------------------|-------------------------|
| Iron/Wood IT1052CBSS-3 | Italian IC1052CBSS-3 | Iron/Wood IT1053CBSD-3 | Italian IC1053CBSD-3 |
| Finish Group I,J,K | | Finish Group L | |
| \$28 | \$48 | \$39 | \$52 |
| | | Finish Group L | |
| | | \$57 | \$63 |

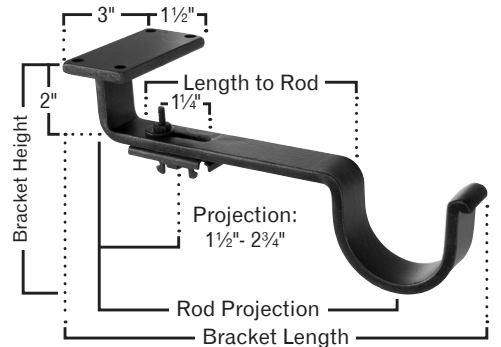
Front Stationary / Rear Traversing End Bracket



Front Stationary / Rear Traversing Support Bracket



Front Stationary / Rear Traversing Ceiling Bracket



| | | | | | |
|---|--|---|--|--|--|
| For 1 ¹ / ₄ " Rods 8 ¹ / ₄ "L x 4 ¹ / ₂ "H LENGTH TO POLE: 6 ³ / ₈ " POLE PROJECTION: 7" | For 1 ³ / ₈ " Poles 8 ¹ / ₄ "L x 4 ¹ / ₂ "H LENGTH TO POLE: 6 ³ / ₈ " POLE PROJECTION: 7" | For 1 ¹ / ₄ " Rods 8 ¹ / ₄ "L x 1 ¹ / ₂ "H LENGTH TO POLE: 6 ³ / ₈ " POLE PROJECTION: 7" | For 1 ³ / ₈ " Poles 8 ¹ / ₄ "L x 1 ³ / ₄ "H LENGTH TO POLE: 6 ³ / ₈ " POLE PROJECTION: 7" | For 1 ¹ / ₄ " Rods 8 ¹ / ₄ "L x 3 ¹ / ₄ "H LENGTH TO POLE: 6 ³ / ₈ " POLE PROJECTION: 7" | For 1 ³ / ₈ " Poles 8 ¹ / ₄ "L x 3 ³ / ₈ "H LENGTH TO POLE: 6 ³ / ₈ " POLE PROJECTION: 7" |
| For 1 ¹ / ₂ " Rods 8 ⁵ / ₈ "L x 4 ¹ / ₂ "H LENGTH TO POLE: 6 ¹ / ₄ " POLE PROJECTION: 7" | For 2" Rods 8 ⁵ / ₈ "L x 4 ¹ / ₂ "H LENGTH TO POLE: 6" POLE PROJECTION: 7 ¹ / ₈ " | For 1 ¹ / ₂ " Rods 8 ⁵ / ₈ "L x 1 ³ / ₄ "H LENGTH TO POLE: 6 ¹ / ₄ " POLE PROJECTION: 7" | For 2" Rods 8 ⁵ / ₈ "L x 2 ¹ / ₄ "H LENGTH TO POLE: 6" POLE PROJECTION: 7 ¹ / ₈ " | For 1 ¹ / ₂ " Rods 8 ⁵ / ₈ "L x 3 ¹ / ₂ "H LENGTH TO POLE: 6 ¹ / ₄ " POLE PROJECTION: 7" | For 2" Rods 8 ⁵ / ₈ "L x 4"H LENGTH TO POLE: 6" POLE PROJECTION: 7" |
| For 2 ¹ / ₄ " Poles 8 ³ / ₄ "L x 4 ¹ / ₂ "H LENGTH TO POLE: 5 ⁷ / ₈ " POLE PROJECTION: 7 ¹ / ₈ " | For 3" Rods 10 ¹ / ₈ "L x 5"H LENGTH TO POLE: 6 ¹ / ₂ " POLE PROJECTION: 8 ¹ / ₄ " | For 2 ¹ / ₄ " Poles 8 ³ / ₄ "L x 2 ¹ / ₂ "H LENGTH TO POLE: 5 ⁷ / ₈ " POLE PROJECTION: 7 ¹ / ₈ " | For 3" Rods 10 ¹ / ₈ "L x 3 ³ / ₈ "H LENGTH TO POLE: 6 ¹ / ₂ " POLE PROJECTION: 8 ¹ / ₄ " | For 2 ¹ / ₄ " Poles 8 ³ / ₄ "L x 4 ¹ / ₂ "H LENGTH TO POLE: 5 ⁷ / ₈ " POLE PROJECTION: 7" | For 3" Rods 10 ¹ / ₈ "L x 5"H LENGTH TO POLE: 6 ¹ / ₂ " POLE PROJECTION: 8" |

| | | | | | |
|-------------------------|-----------------------|-------------------------|-----------------------|-------------------------|-----------------------|
| Iron/Wood IT1054EBSB | Italian IC1054EBSB | Iron/Wood IT1055SBSB | Italian IC1055SBSB | Iron/Wood IT1056CBSD | Italian IC1056CBSD |
| Finish Group I,J,K | | Finish Group L | | Finish Group I,J,K | |
| | | | | Finish Group L | |
| \$52 | \$69 | \$52 | \$69 | \$54 | \$72 |
| | | | | Finish Group L | |
| | | \$83 | \$83 | \$87 | |

Front Stationary / Rear Traversing Brackets Accommodate 1¹/₄" Diameter Iron or 1³/₈" Diameter Wood Traversing Fascias.

Traversing with Somfy - Motors: Page 56

| Motor Name | Irismo 35 Mini DC RTS | Irismo 35 Mini DC DCT | Irismo 45 WireFree RTS* |
|---|--|--|--|
| Part # | 1002952 | 1002951 | 1002353 |
| Orion Item # | SMTR35MRTS | SMTR35MDCT | SMTR45WRTS |
| Price | \$1169 | \$1169 | \$1169 |
| MOTOR UNIT MAIN FEATURES | | | |
| Soft Start / Stop | Yes | Yes | Yes |
| Manual Operation | Yes | Yes | Yes |
| Automatic Limits on End Stop | Yes | Yes | Yes |
| Intermediate Position | Yes | Yes | Yes |
| Touch Motion with 2 Sensitivity Settings | Yes | Yes | Yes |
| Adjustable Limits | Yes | Yes | Yes |
| Speed Control & Adjustment | Yes | Yes | Yes |
| CONTROL OPTIONS | | | |
| Dry Contact Indiv., Group & Master Control | Yes | Yes | No |
| Radio Technology Somfy RTS | Yes | No | Yes |
| Infrared | Yes | Using Universal RTS Interface (URTSII) | Using Universal RTS Interface (URTSII) |
| RS485 Digital Technology | Using Universal RTS Interface (URTSII) | Using Universal RTS Interface (URTSII) | Using Universal RTS Interface (URTSII) |
| Z-Wave | Future Option | Future Option | No |
| ZigBee | Future Option | Future Option | No |
| Tandem Alternative | Yes | Yes | Yes |
| Sun Control | Yes | Yes | Yes |
| Timer Control | Yes | Yes | Yes |
| INSTALLATION AND SETTING FEATURES | | | |
| Settings with Buttons on Motor Unit | Yes | No | No |
| Setting with Normally Open Dry Contact | Yes | Yes | No |
| LED Indicators | Yes | Yes | Yes |
| Motor Unit Direction Change | Yes | Yes | Yes |
| Factory Reset | Yes | Yes | Yes |
| Inverse Mounting (Top Mount) | Yes | Yes | Yes |
| TRACKS/DRAPERY TYPES | | | |
| Left Stack, Right Stack, Center Open | Yes | Yes | Yes |
| Asymmetric | Yes | Yes | Yes |
| Multiple | Yes | Yes | Yes |
| Pinch Pleat / RippleFold | Yes | Yes | Yes |
| MOTORIZED TRACK MAIN CHARACTERISTICS | | | |
| Power Supply | 24V DC | 24V DC | 26.5V LI-ION Battery |
| Amperage | 2A | 2A | 2950 mAh |
| Average Linear Speed (No Load) | 87.5 RPM | 87.5 RPM | 87.5 RPM |
| Power Consumption | < 3 W | < 3 W | N/A |
| Power Cable | 13.2 ft (4 m) | 13.2 ft (4 m) | N/A |
| Control Connector Type | RJ12 | RJ12 | N/A |
| DCT Control Circuit Voltage | 5V DC | 5V DC | N/A |
| Motor Sound Level | <44 dBA | <44 dBA | <44 dBA |
| Certifications | CE | CE | c TUV us, CE |
| Minimum Bending Radius | 11.8 in (30 cm) | 11.8 in (30 cm) | 11.8 in (30 cm) |
| Minimum Curving Radius | 118 in (300 cm) | 118 in (300 cm) | 118 in (300 cm) |
| Width | 3.66 in (93 mm) | 3.66 in (93 mm) | 3.66 in (93 mm) |
| Height | 8.27 in (210 mm) | 8.27 in (210 mm) | 12.1 in (308 mm) |
| Depth | 2.08 in (53 mm) | 2.08 in (53 mm) | 2.08 in (53 mm) |
| Max Weight | 77 lbs (35 kg) | 77 lbs (35 kg) | 99 lbs (45 kg) |

| 45 WireFree Accessories | Part # | Orion Item # | Price | Notes |
|--|---------------|---------------------|--------------|--|
| 45 WireFree Charger | 1002945 | SMTR45WCHG | \$184 | |
| 45 WireFree Lithium Ion Battery | 9019741 | SMTR45WBAT | \$561 | Extra Battery Height: 3.85", Width: 3.66", Depth: 2.08" |

Italian Collection: Ordering Information

1. The Italian Collection is available in Finish I: Brushed Nickel, Finish J: Polished Chrome, Finish K: Black Nickel, Oiled Bronze, Satin Copper and Satin Gold, and Finish L: Polished Nickel, Polished Black Chrome, Polished Brass, Antique Brass, Satin Brass, Polished Rose Gold and Satin Rose Gold for ¾", 1", and 1¼" Round or Square Hollow Rods only.
2. Standard elbows are available at 45° and 90°. For other angles, please add #7041 as a custom angle charge.
3. Rods can be spliced together to provide any length using a rod connector. Please add Product #300 to the order.
4. **Iron rods are available in 10' (120") lengths without a splice.** By default, we splice any iron rod over 8'10" (106") to save on shipping charges using FedEx/UPS. Rods not specified as one piece in the order will be spliced in the center, unless a splice location is otherwise noted. Anything over 8'10" (106") must be shipped by common carrier (truck line). Please note residential truck deliveries are restricted to 24' (288").

Italian Collection (Metal Plated Hardware): Pages 58-61 of Catalog

| Product # | Unit | Italian Finishes | | | | Additional Information |
|----------------|------|------------------|-----|-----|-----|---|
| | | I | J | K | L | |
| 300 | EACH | 26 | 26 | 26 | 26 | Connector for Spliced Rods |
| 7001 | EACH | 68 | 81 | 88 | 97 | Interior Fit Only: Length: 1¾" Height: 1¼" Not Available for Traversing |
| 7002 | EACH | 58 | 70 | 76 | 85 | Interior Fit Only: Diameter: 1½" Not Available for Traversing |
| 7003 | EACH | 74 | 88 | 95 | 106 | Interior Fit Only: Diameter: 2" Available for Traversing |
| 7004 | EACH | 56 | 68 | 74 | 81 | Interior Fit Only: Length: 2" Height: 1½" Not Available for Traversing |
| 7005 | EACH | 62 | 74 | 80 | 88 | Interior Fit Only: Length: 2" Height: 1⅝" Not Available for Traversing |
| 7005L | EACH | 85 | 103 | 110 | 122 | Interior Fit Only: Length: 3" Height: 1¾" Available for Traversing |
| 7006 | EACH | 65 | 77 | 84 | 94 | Interior Fit Only: Length: 2" Height: 1" Not Available for Traversing |
| 7006L | EACH | 92 | 109 | 119 | 131 | Interior Fit Only: Length: 3" Height: 1¾" Available for Traversing |
| 7007V-S-RND/SQ | FOOT | 83 | 97 | 106 | 118 | Single Rod with Returns / Includes Vertical Plates / Maximum Length: 106" / Available in ¾", 1" and 1¼" Diameter. See measurement guidelines on page 34. |
| 7007R-S-RND/SQ | FOOT | 83 | 97 | 106 | 118 | Single Rod with Returns / Includes Round Sockets / Maximum Length: 106" / Available in ¾", 1" and 1¼" Diameter. See measurement guidelines on page 34. |
| 7007V-D-RND/SQ | FOOT | 125 | 147 | 160 | 177 | Double Rod with Returns / Includes Vertical Plates and Straight Rod in back / Maximum Length: 106" / Available in ¾", 1" and 1¼" Diameter. See measurement guidelines on page 34. |
| 7007R-D-RND/SQ | FOOT | 125 | 147 | 160 | 177 | Double Rod with Returns / Includes Round Sockets and Straight Rod in back / Maximum Length: 106" / Available in ¾", 1" and 1¼" Diameter. See measurement guidelines on page 34. |
| 7009-RND/SQ | EACH | 37 | 45 | 50 | 55 | Elbow / Specify Interior or Exterior Fit and Angle |
| 7010-RND/SQ | EACH | 10 | 11 | 12 | 13 | Half Open Socket |
| 7011-RND/SQ | EACH | 10 | 11 | 12 | 13 | Full Socket |
| 7010-11-RND/SQ | PAIR | 20 | 22 | 24 | 29 | Pair of Half Open Socket and Full Socket; Round or Square |
| 7012 | EACH | 13 | 15 | 17 | 19 | Round Ring with Clip / Available with the following Interior Diameters: 1", 1¼", 1½", and 1¾" |
| 7013 | EACH | 13 | 15 | 17 | 19 | Round Ring / Available with the following Interior Diameters: 1", 1¼", 1½", and 1¾" |
| 7014-RND/SQ | EACH | 58 | 69 | 76 | 83 | Bracket with 3" Projection |
| 7014HD-RND/SQ | FOOT | 62 | 72 | 77 | 87 | Bracket Heavy Gauge with 3" Projection. |
| 7014HP-RND/SQ | EACH | 58 | 69 | 76 | 83 | Bracket with 3" Projection and Horizontal Back Plate |
| 7015-RND/SQ | EACH | 63 | 75 | 81 | 89 | Bracket with 6" Projection |
| 7015HP-RND/SQ | EACH | 63 | 75 | 81 | 89 | Bracket with 6" Projection and Horizontal Back Plate |
| 7016-RND/SQ | EACH | 23 | 26 | 29 | 32 | End Cap |
| 7017 | EACH | 109 | 132 | 143 | 158 | Corner Bracket / Only Available as Exterior Fit |
| 7018 | EACH | 119 | 143 | 155 | 171 | Movable Elbow / Interior Fit Only |
| 7018-H | EACH | 128 | 146 | 171 | 176 | Movable Elbow Hinged/ Interior Fit Only |

Italian Collection (Metal Plated Hardware): Pages 58-61 of Catalog (continued)

| Product # | Unit | Italian Finishes | | | | Additional Information |
|-------------|------|------------------|-----|-----|-----|---|
| | | I | J | K | L | |
| 7019 | FOOT | 29 | 35 | 37 | 41 | ¾" Round Rod / Maximum Length for a Single Piece: 120" |
| 7020 | FOOT | 39 | 47 | 51 | 56 | 1" Round Rod / Maximum Length for a Single Piece: 120" |
| 7021 | FOOT | 29 | 35 | 37 | 41 | ¾" Square Rod / Maximum Length for a Single Piece: 120" |
| 7022 | FOOT | 39 | 47 | 51 | 56 | 1" Square Rod / Maximum Length for a Single Piece: 120" |
| 7023 | FOOT | 48 | 58 | 63 | 70 | 1¼" Round Rod / Maximum Length for a Single Piece: 120" |
| 7024 | FOOT | 48 | 58 | 63 | 70 | 1¼" Square Rod / Maximum Length for a Single Piece: 120" |
| 7025 | FOOT | 58 | 68 | 73 | 80 | 1½" Round Hollow Rod / Maximum Length for a Single Piece: 120" |
| 7026 | FOOT | 68 | 77 | 83 | 89 | 2" Round Hollow Rod / Maximum Length for a Single Piece: 120" |
| 7035-RND/SQ | EACH | 37 | 45 | 50 | 55 | Single Rod Ceiling Mount Bracket |
| 7036-RND | EACH | 52 | 63 | 69 | 75 | Double Rod Ceiling Mount Bracket |
| 7038 | EACH | 97 | 117 | 128 | 138 | 3" Projection Eyelet Bracket |
| 7039 | EACH | 122 | 146 | 160 | 176 | 6" Projection Eyelet Bracket |
| 7040-RND/SQ | EACH | 87 | 105 | 113 | 124 | Double Bracket / 3" and 6" Projections |
| 7041 | EACH | 132 | 132 | 132 | 138 | Custom Elbow Angle Charge |
| 7102BD | EACH | 44 | 44 | 44 | 48 | Rod Bending - ¾" to 1¼" Diameter Rods |
| 7103CV | FOOT | 48 | 48 | 48 | 52 | Rod Curve - ¾" to 1¼" Diameter Rods |
| 7187 | EACH | 63 | 69 | 75 | 83 | "U" Shape Bend Charge for Finials: 3½" Projection |
| 7188 | EACH | 63 | 69 | 75 | 83 | Expandable Post Projection: 3"-4½" Projection (Finials Extra) |
| 7188FX-300 | EACH | 67 | 73 | 79 | 87 | Fixed Post Projection with Mounting Plate Charge for Finials: 3"P |
| 7188FX-400 | EACH | 67 | 73 | 79 | 87 | Fixed Post Projection with Mounting Plate Charge for Finials: 4"P |
| 7188FX-650 | EACH | 67 | 73 | 79 | 87 | Fixed Post Projection with Mounting Plate Charge for Finials: 6½"P |
| 7321 | EACH | 39 | 47 | 51 | 56 | Decorative Cap / Interior Fit / For Round Hollow Rods |
| 7352 | EACH | 14 | 19 | 21 | 23 | Square Ring / Available with the following Interior Dimensions: 1" x 1½", 1¼" x 1¾", and 1½" x 2" |
| 7014SE | EACH | 67 | 79 | 85 | 95 | Unique Collection Single End Bracket / 3" Projection |
| 7015SE | EACH | 76 | 91 | 98 | 109 | Unique Collection Single End Bracket / 6" Projection |
| 7040DE | EACH | 89 | 107 | 117 | 129 | Unique Collection Double End Bracket / 3" and 6" Projections |
| 7318-3P | EACH | 63 | 75 | 81 | 89 | Unique Collection Single Support Bracket / 3" Projection |
| 7318HP-3P | EACH | 63 | 75 | 81 | 89 | Unique Collection Single Horizontal Backplate Support Bracket / 3" Proj. |
| 7318-6P | EACH | 69 | 83 | 91 | 98 | Unique Collection Single Support Bracket / 6" Projection |
| 7319 | EACH | 76 | 91 | 98 | 109 | Unique Collection Double Support Bracket / 3" and 6" Projections |
| 7330C | EACH | 13 | 15 | 17 | 19 | Unique Collection "C" Ring to Match Rod Size See Page 28 for Details |

Italian Collection (Finials with Wood Insert; Available in 3 Finishes) - Page 59 of Catalog

| | | | | | | |
|--------|------|----|-----|-----|-----|--|
| 7070* | EACH | 85 | 103 | 110 | 122 | Length: 3¾" Height: 1" Not Available for Traversing |
| 7070L* | EACH | 89 | 108 | 117 | 130 | Length: 3¾" Height: 1¾" Not Available for Traversing |
| 7071* | EACH | 85 | 103 | 110 | 122 | Length: 3¾" Height: 1" Not Available for Traversing |
| 7071L* | EACH | 89 | 108 | 117 | 130 | Length: 3¾" Height: 1¾" Not Available for Traversing |
| 7072* | EACH | 85 | 103 | 110 | 122 | Length: 3¾" Height: 1" Not Available for Traversing |
| 7072L* | EACH | 89 | 108 | 117 | 130 | Length: 3¾" Height: 1¾" Not Available for Traversing |

* Available while supply last.

Italian Collection: Baton 1014 - Page 60 of Catalog

| Italian Finish | Unit | Price per Length | | | | |
|----------------|------|------------------|---------|---------|---------|----------|
| | | 12"-24" | 25"-48" | 49"-72" | 73"-84" | 85"-108" |
| I | EACH | 83 | 98 | 130 | 160 | 197 |
| J | EACH | 98 | 119 | 155 | 191 | 237 |
| K | EACH | 107 | 129 | 168 | 208 | 255 |
| L | EACH | 119 | 143 | 185 | 230 | 282 |

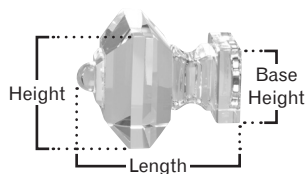
Bohemia Collection: Ordering Information

- All finials are available to fit $\frac{3}{4}$ ", 1", and $1\frac{1}{4}$ " round and square hollow rods, and $1\frac{1}{2}$ " traversing rods. Select finials are available to fit 2" round and square hollow rods, and 2" traversing rods.
 - Finials are available as interior fit **ONLY**.
 - Rod finishes are available in 36 Iron Art™ finishes, 13 Italian Collection finishes, or your own custom finish.
- Finials are shipped in custom boxes to ensure high quality protection.
- All finials are available as tiebacks.

Bohemia Collection: Pages 62-65 of Catalog

| Product # | Unit | Price | Length | Height | Base Height | Rods | Product # | Unit | Price | Length | Height | Base Height | Rods |
|-----------|------|-------|-------------------|-------------------|-------------------|------|-----------|------|-------|-------------------|-------------------|-------------------|------|
| 763 | EACH | 84 | 1 $\frac{1}{8}$ " | 3 $\frac{1}{4}$ " | 3 $\frac{1}{4}$ " | ● ★ | 778 | EACH | 86 | 1 $\frac{1}{4}$ " | 2 $\frac{3}{8}$ " | 1 $\frac{1}{2}$ " | ● |
| 764 | EACH | 101 | 3 $\frac{5}{8}$ " | 2 $\frac{1}{2}$ " | 1 $\frac{5}{8}$ " | ● ★ | 779 | EACH | 95 | 1 $\frac{1}{2}$ " | 3 $\frac{1}{8}$ " | 1 $\frac{5}{8}$ " | ● ★ |
| 765 | EACH | 103 | 3 $\frac{3}{8}$ " | 2 $\frac{3}{8}$ " | 1 $\frac{1}{2}$ " | ● | 780 | EACH | 101 | 3" | 3 $\frac{1}{8}$ " | 1 $\frac{5}{8}$ " | ● ★ |
| 766 | EACH | 81 | 1 $\frac{1}{2}$ " | 2 $\frac{3}{8}$ " | 2" | ● | 781 | EACH | 81 | 2 $\frac{1}{8}$ " | 2 $\frac{3}{8}$ " | 1 $\frac{5}{8}$ " | ● ★ |
| 767 | EACH | 84 | 3 $\frac{1}{4}$ " | 2" | 2" | ● | 782 | EACH | 103 | 2 $\frac{7}{8}$ " | 2 $\frac{3}{4}$ " | 1 $\frac{5}{8}$ " | ● ★ |
| 768 | EACH | 91 | 1 $\frac{7}{8}$ " | 2 $\frac{1}{2}$ " | 1 $\frac{5}{8}$ " | ● | 783 | EACH | 84 | 1 $\frac{7}{8}$ " | 2" | 2" | ● ★ |
| 769 | EACH | 84 | 3 $\frac{3}{8}$ " | 2 $\frac{3}{8}$ " | 1 $\frac{3}{4}$ " | ● | 784 | EACH | 113 | 2 $\frac{3}{8}$ " | 2 $\frac{7}{8}$ " | 2 $\frac{7}{8}$ " | ● ★ |
| 770 | EACH | 113 | 3 $\frac{5}{8}$ " | 2 $\frac{1}{2}$ " | 2 $\frac{1}{2}$ " | ● ★ | 785 | EACH | 89 | 2 $\frac{1}{2}$ " | 1 $\frac{1}{2}$ " | 1 $\frac{1}{2}$ " | ● |
| 771 | EACH | 89 | 2 $\frac{3}{8}$ " | 2 $\frac{1}{4}$ " | 1 $\frac{5}{8}$ " | ● ★ | 786 | EACH | 101 | 3" | 2 $\frac{3}{8}$ " | 2 $\frac{3}{8}$ " | ● ★ |
| 772 | EACH | 101 | 2 $\frac{3}{4}$ " | 2 $\frac{3}{8}$ " | 1 $\frac{3}{4}$ " | ● ★ | 787 | EACH | 99 | 3 $\frac{1}{2}$ " | 2" | 2" | ● ★ |
| 773 | EACH | 101 | 2 $\frac{3}{4}$ " | 2 $\frac{3}{8}$ " | 1 $\frac{5}{8}$ " | ● ★ | 788 | EACH | 99 | 3 $\frac{1}{2}$ " | 2" | 2" | ● ★ |
| 774 | EACH | 91 | 2" | 2 $\frac{3}{4}$ " | 1 $\frac{1}{2}$ " | ● ★ | 789 | EACH | 77 | $\frac{3}{4}$ " | 2" | 2" | ● |
| 775 | EACH | 113 | 2 $\frac{3}{4}$ " | 2 $\frac{1}{2}$ " | 1 $\frac{1}{2}$ " | ● ★ | 790 | EACH | 77 | $\frac{3}{4}$ " | 2" | 2" | ● |
| 776 | EACH | 101 | 2 $\frac{3}{8}$ " | 3 $\frac{1}{8}$ " | 2" | ● ★ | 791 | EACH | 101 | 3 $\frac{5}{8}$ " | 3 $\frac{5}{8}$ " | 2" | ● ★ |
| 777 | EACH | 108 | 3" | 2 $\frac{3}{4}$ " | 2" | ● ★ | 792 | EACH | 101 | 3 $\frac{3}{4}$ " | 3 $\frac{1}{4}$ " | 2" | ● ★ |

Dimensions



Iron Rod Diameters

- $\frac{3}{4}$ ", 1", and $1\frac{1}{4}$ " Round and Square Hollow Rods and $1\frac{1}{2}$ " Traversing Rods
- ★ 2" Round and Square Hollow Rods and 2" Traversing Rods

Wood Art™ by ORION

Our Wood Art™ collection was introduced to expand the hardware options we offered designers, adding the classic elegance of wood to our drapery hardware selection. Wood Art™ is a beautiful, versatile group that will enhance any designer's imaginative repertoire.

Crystal, wood, and resin finials designed to fit 1³/₈", 2", 2¹/₄", or 3" poles are offered in a range of styles that will blend with or complement any décor. All are available in 36 Iron Art™ and 11 Wood Art™ finishes, as well as your own custom finish.

Wood Art™ features wood poles in smooth or fluted designs. There are two wood bracket styles and two wood ring styles to choose from. All our wood poles are also available with manual or motorized traversing.

Interested in an iron-wood fusion solution? Mix iron and wood together for a truly original look. Iron finials, rings, and brackets can all be incorporated for a one of a kind design.

Bohemia On Wood Collection: Ordering Information

1. All finials are available to fit 1³/₈" wood poles.

Select finials are available to fit 2" and 2¹/₄" wood poles, and 2" and 2¹/₄" wood traversing poles.

a. Finials screw in for wood poles with a round metal adaptor finished to match the pole.

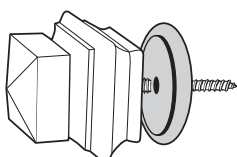
b. Pole finishes are available in 36 Iron Art™ finishes, 11 Wood Art™ finishes, or your own custom finish.

2. Finials are shipped in custom boxes to ensure high quality protection.

3. All finials are available as tiebacks.

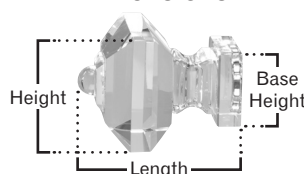
Bohemia On Wood Collection: Pages 68-71 of Catalog

| Product # | Unit | Price | Length | Height | Base Height | Poles | Product # | Unit | Price | Length | Height | Base Height | Poles |
|-----------|------|-------|---------------------------------|---------------------------------|---------------------------------|-------|-----------|------|-------|---------------------------------|---------------------------------|---------------------------------|-------|
| 763 | EACH | 84 | 1 ¹ / ₈ " | 3 ¹ / ₄ " | 3 ¹ / ₄ " | ● ★ | 775 | EACH | 113 | 2 ³ / ₄ " | 2 ¹ / ₂ " | 1 ¹ / ₂ " | ● ★ |
| 764 | EACH | 101 | 3 ⁵ / ₈ " | 2 ¹ / ₂ " | 1 ⁵ / ₈ " | ● ★ | 776 | EACH | 101 | 2 ³ / ₈ " | 3 ¹ / ₈ " | 2" | ● ★ |
| 765 | EACH | 103 | 3 ³ / ₈ " | 2 ³ / ₈ " | 1 ¹ / ₂ " | ● | 777 | EACH | 108 | 3" | 2 ³ / ₄ " | 2" | ● ★ |
| 766 | EACH | 81 | 1 ¹ / ₂ " | 2 ³ / ₈ " | 2" | ● | 778 | EACH | 86 | 1 ¹ / ₄ " | 2 ³ / ₈ " | 1 ¹ / ₂ " | ● |
| 767 | EACH | 84 | 3 ¹ / ₄ " | 2" | 2" | ● | 779 | EACH | 95 | 1 ¹ / ₂ " | 3 ¹ / ₈ " | 1 ⁵ / ₈ " | ● ★ |
| 768 | EACH | 91 | 1 ⁷ / ₈ " | 2 ¹ / ₂ " | 1 ⁵ / ₈ " | ● | 781 | EACH | 81 | 2 ¹ / ₈ " | 2 ³ / ₈ " | 1 ⁵ / ₈ " | ● ★ |
| 769 | EACH | 84 | 3 ³ / ₈ " | 2 ³ / ₈ " | 1 ³ / ₄ " | ● | 782 | EACH | 103 | 2 ⁷ / ₈ " | 2 ³ / ₄ " | 1 ⁵ / ₈ " | ● ★ |
| 770 | EACH | 113 | 3 ⁵ / ₈ " | 2 ¹ / ₂ " | 2 ¹ / ₂ " | ● ★ | 787 | EACH | 99 | 3 ¹ / ₂ " | 2" | 2" | ● ★ |
| 771 | EACH | 89 | 2 ³ / ₈ " | 2 ¹ / ₄ " | 1 ⁵ / ₈ " | ● ★ | 788 | EACH | 99 | 3 ¹ / ₂ " | 2" | 2" | ● ★ |
| 772 | EACH | 101 | 2 ³ / ₄ " | 2 ³ / ₈ " | 1 ³ / ₄ " | ● ★ | 790 | EACH | 77 | 3 ⁴ / ₄ " | 2" | 2" | ● |
| 773 | EACH | 101 | 2 ³ / ₄ " | 2 ³ / ₈ " | 1 ⁵ / ₈ " | ● ★ | 791 | EACH | 101 | 3 ⁵ / ₈ " | 3 ⁵ / ₈ " | 2" | ● ★ |
| 774 | EACH | 91 | 2" | 2 ³ / ₄ " | 1 ¹ / ₂ " | ● ★ | 792 | EACH | 101 | 3 ³ / ₄ " | 3 ¹ / ₄ " | 2" | ● ★ |



Bohemia Crystals are disassembled from their metal adaptor bases (which are welded to a screw for installing into wood). Orion wood poles are pre-drilled. Just screw the crystal into the metal adaptor base, and the metal adaptor base into the wood pole, and you are set for installation.

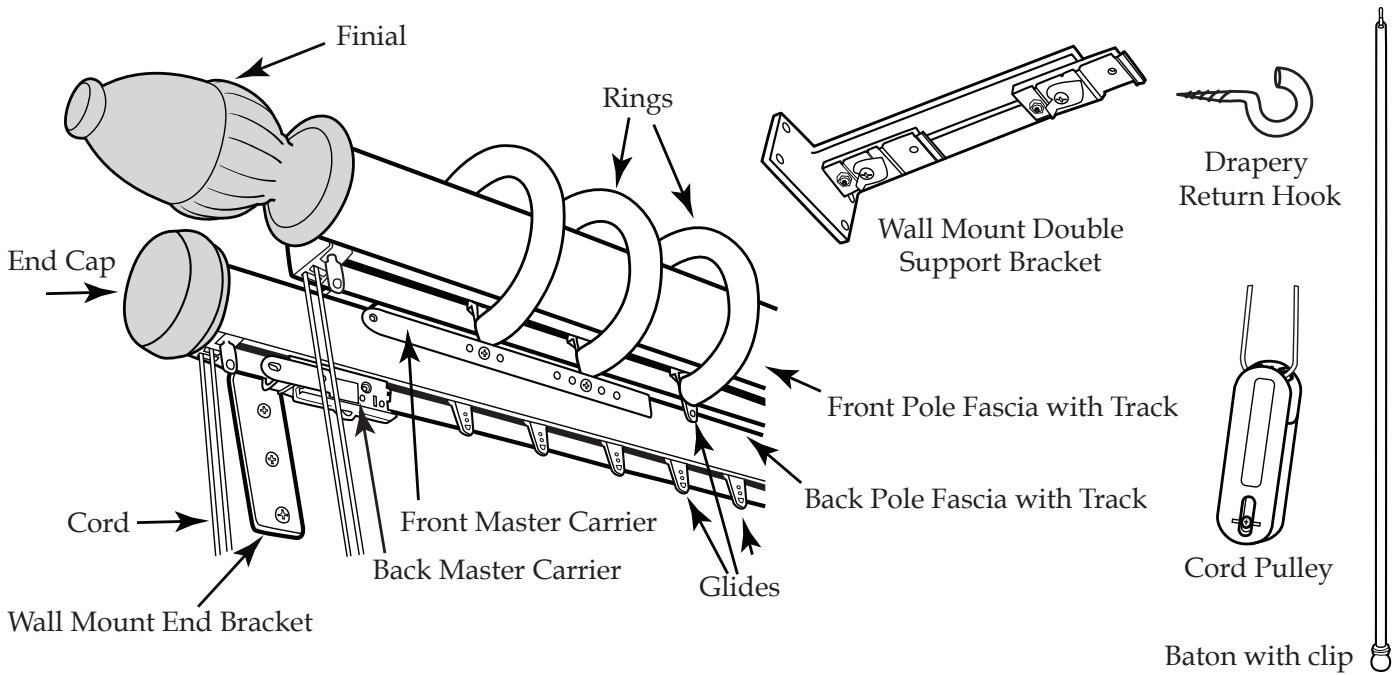
Dimensions



Wood Pole Diameters

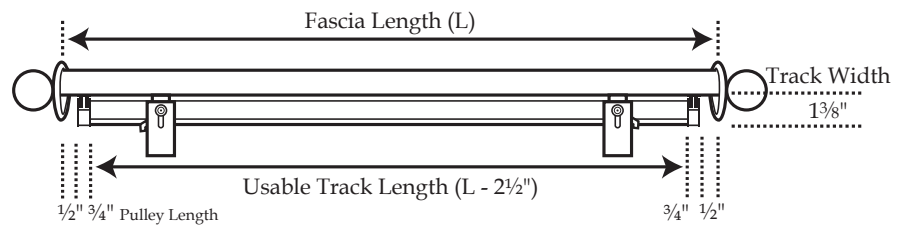
- 1³/₈" Diameter Poles
- ★ 2" and 2¹/₄" Diameter Poles & 2" and 2¹/₂" Traversing Poles

DESIGNERS' CHOICE WOOD TRAVERSING POLES



MEASUREMENT GUIDELINES

- Please specify fascia length when ordering.
- Usable Track length will be 2½" shorter than fascia length. (L - 2½")



Wood Traversing Systems

Traversing Systems designed to meet all of the custom needs of interior designers.

- Single or Double Systems with Wood Fascia.
- Up to 30 Feet in Length.
- Heavy Duty Track and Accessories Automatically Included.
- End and Support Brackets in Iron Customized for Heavy Duty Applications.
- Wall Mount or Ceiling Mount Brackets with Expandable Projections.
- Front Track with or without Rings.
- Back Pole in Double Traverse System Includes End Caps (Finished) and 1⅜" Diameter Wood Fascia to Match Front Pole Style.
- Cord Draw or Baton Draw.
- Five Finishes for Traversing Tracks:
Antique Bronze, Black, Gold, Silver, and White.
- Pinch Pleat or RippleFold.
- Track Color Coordinating Pinch Pleat Glides for Systems with Rings.
Pinch Pleat Without Rings and RippleFold Glides are White.
- 11 Wood Art™ or 36 Iron Art™ Finishes for Pole Fascia, Finials, Rings, Brackets & End Caps (Back Pole Fascia Only).
- Custom Finishes Available.
- Pole Styles and Diameters:
Round: 2", 2¼", and 3"
Fluted: 2", 2¼", and 3"
- Select Finials from New York Wood, Rosina, Wood Craft, Bohemia, or Iron Collections.
- Miter Return Available.
- Heavy Duty Packaging.
- Shipped in 15 Business Days.

Designers' Choice Set Guide: Iron Bracket, Glide, and Ring Quantities

| Product | Unit | QTY | Product | Unit | QTY |
|--|------|-----|-------------------------------------|------|-----|
| Iron End Brackets | | | Rings (Front Rod Only) | | |
| Single Bracket Back Plate: H 3¼" W 1½" | SET | 2 | Including Master Carriers | FOOT | 4 |
| Double Bracket Back Plate: H 4½" W 1½" | | | <i>Rings are an additional cost</i> | | |
| Glides - Including Master Carrier | FOOT | 4 | | | |

See pages 60 for traversing with Somfy Motorization.

Designers' Choice Wood Traversing Poles: Ordering Information

- Sets automatically include: pole fascia, heavy duty tracks, glides, master carriers*, cords, and cord pulleys**, drapery return hooks, two end brackets, support brackets as needed per length, and back pole end caps (for double poles only).
- Items sold separately: finials, rings (front pole with pinch pleat glides only), and batons.
- Pole set finishes: poles, brackets, return hooks, rings, master carriers, and batons are finished as per finish specified in order.
- Track finishes are available in Antique Bronze, Black, Gold, Silver, and White.
- Glides for pinch pleat systems with rings coordinate with the five track finishes. Pinch pleat glides for systems without rings and RippleFold glides are available in white. Pinch pleat glides are supplied four per foot.
- Please state fullness of 60%, 80%, 100%, or 120% when ordering RippleFold.
- Traversing poles come with or without rings on front poles with pinch pleat glides only. Back poles and RippleFold glides do not accommodate rings. Two stationary rings are placed on each end for center open systems, one ring is placed on the stack side for one-way draw systems.
- If desired, you may specify a baton drawn system. **Batons are sold separately.** Please see page 27 for Iron Art™ batons and page 80 for Wood Art™ batons.
- When ordering, include cord length (standard is 8'), cord placement (left or right), and draw (left stack, right stack, or center open).
- Please specify wall or ceiling mount end brackets when ordering. Due to limited clearance, we recommend using end caps as finials with ceiling mount brackets. Please contact customer service for a list of other finials which may be used.
- Traversing set pricing is rounded up to the next foot.
- Maximum fabric weight for a 16' track is 62 lbs. for the heavy duty traverse track (automatically provided in each set).
- All heavy duty tracks and wood poles (all diameters) are available in 16' (192") lengths without a splice, and up to 30' (360") with a splice. Please contact customer service for the availability of 19' (228") lengths without a splice.**
- We splice any center open traversing rod over 8'6" (102") to save on shipping charges using FedEx/UPS. (One-way draw is not spliced for FedEx/UPS.) Traversing systems not specified as one piece in the order will be spliced in the center, unless a splice location is otherwise noted. Anything specified as one piece and over these lengths is shipped by truck, and final shipping charges are given when the order is shipped. Please note residential truck deliveries are restricted to 24' (288").
- When ordering with miter returns, please add Product #WT307MR.
The width entered should be the track measurement. Returns are available as 3½", 4½", 6", and 7".
- Custom finish: 40% additional charge. Please add a one time strike off charge (Product #IASTRIKE).

Traversing Accessories: Pages 49 & 72 of Catalog

| Accessories & Charges | Product # | Unit | Price | Additional Information | |
|------------------------------------|-----------|------|----------------------------|---|--|
| Additional Traversing Glides | TRGL | EACH | 3 | Specify Quantity in Order / Standard is Four per Foot | |
| Additional Traversing Cord (white) | TRCR | FOOT | 2 | Specify Length in Order / Standard is Eight Feet | |
| Strike Off Charge (net) | IASTRIKE | EACH | 65 | One time strike off charge for custom finish | |
| Wood Miter with Return | WT307MR | EACH | 88 | Available in 3½", 4½", 6", and 7" | |
| "C" Ring Styles (Front Pole Only) | Product # | Unit | Price | | Additional Information |
| | | | 2" & 2¼" Inner Diameter | 3" Inner Diameter | |
| Smooth Wood "C" Rings | WT5047TR | EACH | 23 | 28 | Specify Quantity in Order Standard is Four per Foot |
| Fluted Wood "C" Rings | WT5049TR | EACH | 23 | 28 | |

See pages 52-53 for brackets.

* Center open poles come with two master carriers, while one-way draw poles come with one. Front pole carriers each hold two rings.

** Cord drawn traversing sets include cords and cord pulleys. Batons for baton drawn sets are sold separately.

***Ceiling mount support brackets have a 2" drop for poles without rings, and a 3" drop for poles with rings.

Single Traversing Sets: Page 72 of Catalog

(Add Finials, Rings, Accessories, and Miscellaneous Charges Where Applicable)

| Style | Set # | 4 Feet | 5 Feet | 6 Feet | 7 Feet | 8 Feet | 9 Feet | 10 Feet | Additional Foot |
|--------------------------------|------------|--------|--------|--------|--------|--------|--------|---------|-----------------|
| Track Only | ITTRACK-S | 317 | 352 | 405 | 468 | 529 | 590 | 652 | 62 |
| Designers' Choice: Wood | | | | | | | | | |
| Smooth 2" Dia. | WTRN-S-200 | 481 | 609 | 707 | 805 | 933 | 1030 | 1129 | 162 |
| Smooth 2¼" Dia. | WTRN-S-214 | 481 | 609 | 707 | 805 | 933 | 1030 | 1129 | 162 |
| Smooth 3" Dia. | WTRN-S-300 | 533 | 677 | 792 | 906 | 1052 | 1166 | 1281 | 178 |
| Fluted 2" Dia. | WTFL-S-200 | 481 | 609 | 707 | 805 | 933 | 1030 | 1129 | 162 |
| Fluted 2¼" Dia. | WTFL-S-214 | 481 | 609 | 707 | 805 | 933 | 1030 | 1129 | 162 |
| Fluted 3" Dia. | WTFL-S-300 | 549 | 695 | 808 | 922 | 1069 | 1182 | 1298 | 178 |

Double Traversing Sets: Page 73 of Catalog

(Add Finials, Rings, Accessories, and Miscellaneous Charges Where Applicable)

| Style | Set # | 4 Feet | 5 Feet | 6 Feet | 7 Feet | 8 Feet | 9 Feet | 10 Feet | Additional Foot |
|--------------------------------|------------|--------|--------|--------|--------|--------|--------|---------|-----------------|
| Track Only | ITTRACK-D | 677 | 825 | 972 | 1120 | 1270 | 1418 | 1566 | 148 |
| Designers' Choice: Wood | | | | | | | | | |
| Smooth 2" Dia. | WTRN-D-200 | 709 | 898 | 1046 | 1192 | 1382 | 1528 | 1675 | 228 |
| Smooth 2¼" Dia. | WTRN-D-214 | 709 | 898 | 1046 | 1192 | 1382 | 1528 | 1675 | 228 |
| Smooth 3" Dia. | WTRN-D-300 | 754 | 951 | 1106 | 1263 | 1445 | 1611 | 1779 | 266 |
| Fluted 2" Dia. | WTFL-D-200 | 709 | 898 | 1046 | 1192 | 1382 | 1528 | 1675 | 228 |
| Fluted 2¼" Dia. | WTFL-D-214 | 709 | 898 | 1046 | 1192 | 1382 | 1528 | 1675 | 228 |
| Fluted 3" Dia. | WTFL-D-300 | 754 | 951 | 1106 | 1263 | 1445 | 1611 | 1779 | 266 |

Stationary Rod Front And Trav Fascia In Back

Includes 2 End Brackets and 2 End Caps for Back Traversing Fascia. Fascia will be 1⅜"

| Style | Set # | 4 Feet | 5 Feet | 6 Feet | 7 Feet | 8 Feet | 9 Feet | 10 Feet | Additional Foot |
|-------------------------------------|--------------|----------|----------|----------|----------|----------|----------|----------|-----------------|
| Designers' Choice: Wood | | | | | | | | | |
| Smooth 2" Dia. | STA-WTRN-200 | 790 | 963 | 1102 | 1242 | 1414 | 1554 | 1694 | 205 |
| Smooth 2¼" Dia. | STA-WTRN-214 | 790 | 963 | 1102 | 1242 | 1414 | 1554 | 1694 | 205 |
| Smooth 3" Dia. | STA-WTRN-300 | 1118 | 1263 | 1377 | 1491 | 1637 | 1751 | 1867 | 272 |
| Fluted 2" Dia. | STA-WTFL-200 | 790 | 963 | 1102 | 1242 | 1414 | 1554 | 1694 | 205 |
| Fluted 2¼" Dia. | STA-WTFL-214 | 790 | 963 | 1102 | 1242 | 1414 | 1554 | 1694 | 205 |
| Fluted 3" Dia. | STA-WTFL-300 | 1118 | 1263 | 1377 | 1491 | 1637 | 1751 | 1867 | 272 |
| Number of Brackets Included: | | 2 | 3 | 3 | 3 | 4 | 4 | 4 | See Note* |

*Additional brackets will be included at 11', 14', 17', 20', 23', 26', and 29'. See page 52-53 for bracket specifications.

See pages 60 for traversing with Somfy Motorization.

Wood Craft Collection: Ordering Information

The Wood Craft Collection available while supplies last.

1. The Wood Craft Collection is available to fit 1 $\frac{3}{8}$ ", 2", and 2 $\frac{1}{4}$ " wood poles in smooth and fluted styles.
2. Finials can be combined with iron rods.
3. Bracket #5070 is only available for a 2" wood pole.

Wood Craft Collection (Hand Carved Wood Finials): Page 74 of Catalog

| Product # | Unit | Iron Art Finishes | | | | Wood Art Finishes | | Custom Finish | Additional Information |
|-----------|------|-------------------|----|----|----|-------------------|----|---------------|--|
| | | A | B | C | D | E | F | | |
| 5060 | EACH | 54 | 68 | 73 | 77 | 73 | 77 | 86 | To Fit 1 $\frac{3}{8}$ " Diameter Poles |
| 5061 | EACH | 52 | 65 | 70 | 74 | 70 | 74 | 83 | To Fit 1 $\frac{3}{8}$ " Diameter Poles |
| 5062 | EACH | 52 | 65 | 70 | 74 | 70 | 74 | 83 | To Fit 1 $\frac{3}{8}$ " Diameter Poles |
| 5063 | EACH | 52 | 65 | 70 | 74 | 70 | 74 | 83 | To Fit 1 $\frac{3}{8}$ " Diameter Poles |
| 5064 | EACH | 52 | 65 | 70 | 74 | 70 | 74 | 83 | To Fit 1 $\frac{3}{8}$ " Diameter Poles |
| 5065 | EACH | 52 | 65 | 70 | 74 | 70 | 74 | 83 | To Fit 1 $\frac{3}{8}$ " Diameter Poles |
| 5066 | EACH | 52 | 65 | 70 | 74 | 70 | 74 | 83 | To Fit 1 $\frac{3}{8}$ " Diameter Poles |
| 5067 | EACH | 52 | 65 | 70 | 74 | 70 | 74 | 83 | To Fit 1 $\frac{3}{8}$ " Diameter Poles |
| 5080 | EACH | 58 | 73 | 78 | 83 | 78 | 83 | 93 | To Fit 2" and 2 $\frac{1}{4}$ " Diameter Poles |
| 5081 | EACH | 58 | 73 | 78 | 83 | 78 | 83 | 93 | To Fit 2" and 2 $\frac{1}{4}$ " Diameter Poles |
| 5082 | EACH | 58 | 73 | 78 | 83 | 78 | 83 | 93 | To Fit 2" and 2 $\frac{1}{4}$ " Diameter Poles |
| 5083 | EACH | 58 | 73 | 78 | 83 | 78 | 83 | 93 | To Fit 2" and 2 $\frac{1}{4}$ " Diameter Poles |
| 5084 | EACH | 58 | 73 | 78 | 83 | 78 | 83 | 93 | To Fit 2" and 2 $\frac{1}{4}$ " Diameter Poles |
| 5085 | EACH | 58 | 73 | 78 | 83 | 78 | 83 | 93 | To Fit 2" and 2 $\frac{1}{4}$ " Diameter Poles |
| 5086 | EACH | 58 | 73 | 78 | 83 | 78 | 83 | 93 | To Fit 2" and 2 $\frac{1}{4}$ " Diameter Poles |
| 5088 | EACH | 58 | 73 | 78 | 83 | 78 | 83 | 93 | To Fit 2" and 2 $\frac{1}{4}$ " Diameter Poles |

Wood Craft Collection (Tiebacks & Brackets): Page 75 of Catalog

| Product # | Unit | Iron Art Finishes | | | | Wood Art Finishes | | Custom Finish | Additional Information |
|-----------|------|-------------------|----|----|----|-------------------|----|---------------|--|
| | | A | B | C | D | E | F | | |
| 5070 | EACH | 58 | 73 | 78 | 83 | 78 | 83 | 93 | Available for 2" Wood Pole Bracket Only / 6 $\frac{3}{4}$ " Projection |
| 5071 | EACH | 35 | 44 | 48 | 52 | 51 | 54 | 60 | $\frac{5}{8}$ " Diameter Wood Baton 38" Length |
| 5095 | EACH | 32 | 40 | 43 | 46 | 43 | 46 | 51 | Tieback |
| 5096 | EACH | 32 | 40 | 43 | 46 | 43 | 46 | 51 | Tieback |
| 5097 | EACH | 32 | 40 | 43 | 46 | 43 | 46 | 51 | Tieback |
| 5098 | EACH | 32 | 40 | 43 | 46 | 43 | 46 | 51 | Tieback |
| 5099 | EACH | 32 | 40 | 43 | 46 | 43 | 46 | 51 | Tieback |

Wood Poles & Accessories: Ordering Information

1. We splice any iron rod or wood pole over 106" to save on shipping charges using FedEx/UPS. Rods or poles not specified as one piece in the order will be spliced in the center, unless splice location is otherwise noted. Anything over 106" must be shipped by common carrier (truck line). Please note residential truck deliveries are restricted to 24' (288").
2. Wood poles are available and priced in sections of 4', 6', 8', and 12' in smooth and fluted styles.
3. Wood poles can be mitered. Please add Product #5055 to the order.
4. Wood ring #5047 is available in 1 $\frac{7}{8}$ " and 2 $\frac{3}{4}$ " inner diameters. Wood ring #5048 is available in 3 $\frac{1}{2}$ " inner diameter only. Wood ring #5049 is available in 1 $\frac{7}{8}$ ", 2 $\frac{3}{4}$ ", and 3 $\frac{1}{2}$ " inner diameters.
5. Wood poles can be combined with Iron Art™ finials. Unfinished products are available by quote only.
6. Please refer to the catalog for product availability for 3" wood pole accessories.
7. Poles can be spliced together to provide any length using a metal connector for wood poles. Please add Product #5056 to the order.

Wood Poles & Accessories: Page 75 of Catalog

| Product # or Size | Unit | Iron Art Finishes | | | | Wood Art Finishes | | Custom Finish | Additional Information |
|--|------|-------------------|------------|------------|------------|-------------------|-------------|------------------|---------------------------|
| | | A | B | C | D | E | F | | |
| Smooth Poles: 1³/₈" Diameter | | | | | | | | | |
| 4' Length | EACH | 50 | 64 | 70 | 75 | 73 | 78 | 89 | Minimum Charged for 4' |
| 6' Length | EACH | 70 | 89 | 97 | 104 | 103 | 108 | 121 | Minimum Charged for 6' |
| 8' Length | EACH | 100 | 127 | 142 | 150 | 148 | 158 | 175 | Minimum Charged for 8' |
| 12' Length | EACH | 144 | 183 | 200 | 215 | 212 | 225 | 250 | Minimum Charged for 12' |
| Smooth Poles: 2" and 2¹/₄" Diameter | | | | | | | | | |
| 4' Length | EACH | 104 | 132 | 146 | 157 | 153 | 164 | 183 | Minimum Charged for 4' |
| 6' Length | EACH | 163 | 208 | 229 | 245 | 242 | 258 | 286 | Minimum Charged for 6' |
| 8' Length | EACH | 216 | 274 | 301 | 323 | 318 | 339 | 377 | Minimum Charged for 8' |
| 12' Length | EACH | 325 | 417 | 457 | 490 | 482 | 514 | 570 | Minimum Charged for 12' |
| Smooth Poles: 3" Diameter | | | | | | | | | |
| 4' Length | EACH | 230 | 294 | 323 | 347 | 340 | 364 | 405 | Minimum Charged for 4' |
| 6' Length | EACH | 325 | 416 | 456 | 487 | 481 | 512 | 569 | Minimum Charged for 6' |
| 8' Length | EACH | 443 | 566 | 621 | 665 | 655 | 700 | 777 | Minimum Charged for 8' |
| 12' Length | EACH | 651 | 830 | 912 | 976 | 960 | 1025 | 1139 | Minimum Charged for 12' |
| Fluted Poles: 1³/₈" Diameter | | | | | | | | | |
| 4' Length | EACH | 50 | 64 | 71 | 76 | 75 | 79 | 89 | Minimum Charged for 4' |
| 6' Length | EACH | 69 | 88 | 96 | 103 | 100 | 107 | 120 | Minimum Charged for 6' |
| 8' Length | EACH | 97 | 124 | 136 | 146 | 144 | 153 | 171 | Minimum Charged for 8' |
| 12' Length | EACH | 133 | 171 | 187 | 200 | 196 | 210 | 233 | Minimum Charged for 12' |
| Fluted Poles: 2" and 2¹/₄" Diameter | | | | | | | | | |
| 4' Length | EACH | 104 | 132 | 146 | 157 | 153 | 164 | 183 | Minimum Charged for 4' |
| 6' Length | EACH | 163 | 208 | 229 | 245 | 242 | 258 | 286 | Minimum Charged for 6' |
| 8' Length | EACH | 216 | 274 | 301 | 323 | 318 | 339 | 377 | Minimum Charged for 8' |
| 12' Length | EACH | 325 | 417 | 457 | 490 | 482 | 514 | 570 | Minimum Charged for 12' |
| Fluted Poles: 3" Diameter | | | | | | | | | |
| 4' Length | EACH | 230 | 294 | 323 | 347 | 340 | 364 | 405 | Minimum Charged for 4' |
| 6' Length | EACH | 325 | 416 | 456 | 487 | 481 | 512 | 569 | Minimum Charged for 6' |
| 8' Length | EACH | 443 | 566 | 621 | 665 | 655 | 700 | 777 | Minimum Charged for 8' |
| 12' Length | EACH | 651 | 830 | 912 | 976 | 960 | 1025 | 1139 | Minimum Charged for 12' |

Wood Poles & Accessories: Page 75 of Catalog (continued)

| Product # or Size | Unit | Iron Art Finishes | | | | Wood Art Finishes | | Custom Finish | Additional Information |
|--------------------------|------|-------------------|------|------|------|-------------------|------|------------------|--|
| | | A | B | C | D | E | F | | |
| Wood Brackets | | | | | | | | | |
| 5045S-138 | EACH | 22 | 28 | 30 | 31 | 31 | 33 | 39 | American Style Bracket For 1 3/8" Pole / 3 3/4" Projection |
| 5045S-200 | EACH | 30 | 39 | 42 | 44 | 44 | 46 | 51 | American Style Bracket For 2" Pole / 4" Projection For 2 1/4" Pole / 4 1/8" Projection |
| 5045S-300 | EACH | 36 | 46 | 51 | 55 | 54 | 57 | 64 | American Style Bracket For 3" Pole / 4 1/2" Projection |
| 5045E-138 | EACH | 31 | 41 | 45 | 47 | 46 | 50 | 55 | American Style Bracket For 1 3/8" Pole / 6 1/2" Projection |
| 5045E-200 | EACH | 36 | 46 | 50 | 54 | 54 | 56 | 64 | American Style Bracket For 2" Pole / 7" Projection For 2 1/4" Pole / 7" Projection |
| 5045E-300 | EACH | 40 | 50 | 55 | 58 | 57 | 60 | 69 | American Style Bracket For 3" Pole / 7 1/2" Projection |
| 5046S-138 | | | | | | | | | Discontinued |
| 5046S-200 | EACH | 31 | 40 | 43 | 46 | 45 | 49 | 54 | European Style Bracket For 2" Pole / 4" Projection For 2 1/4" Pole / 4" Projection |
| 5046S-300 | EACH | 39 | 49 | 53 | 56 | 57 | 59 | 67 | European Style Bracket - Design change For 3" Pole / 5" Projection |
| 5046E-138 | EACH | 41 | 51 | 56 | 60 | 59 | 64 | 71 | European Style Bracket For 1 3/8" Pole / 6 1/2" Projection |
| 5046E-200 | EACH | 47 | 60 | 68 | 71 | 70 | 74 | 83 | European Style Bracket For 2" Pole / 7" Projection For 2 1/4" Pole / 7" Projection |
| 5046E-300 | EACH | 58 | 74 | 82 | 89 | 85 | 92 | 101 | European Style Bracket - Design change For 3" Pole / 7 1/2" Projection |
| Smooth Wood Rings | | | | | | | | | |
| 5047-138 | EACH | 7 | 8 | 9 | 9 | 9 | 9 | 10 | For 1 3/8" Diameter Poles 1/2" Thick / 1 7/8" Inner Diameter |
| 5047-200 | EACH | 8 | 10 | 11.5 | 11.5 | 11.5 | 14 | 15 | For 2" & 2 1/4" Diameter Poles 1/2" Thick / 2 3/4" Inner Diameter |
| 5048-300 | EACH | 15 | 18.5 | 20 | 21 | 21 | 22 | 24 | For 3" Diameter Poles 7/8" Thick / 3 1/2" Inner Diameter |
| Fluted Wood Rings | | | | | | | | | |
| 5049-138 | EACH | 7 | 7 | 8 | 9 | 9 | 10 | 11.5 | For 1 3/8" Diameter Poles 3/4" Thick / 1 7/8" Inner Diameter |
| 5049-200 | EACH | 9 | 10 | 10 | 11.5 | 11.5 | 11.5 | 17 | For 2" & 2 1/4" Diameter Poles 3/4" Thick / 2 3/4" Inner Diameter |
| 5049-300 | EACH | 15 | 16 | 17 | 18.5 | 18.5 | 20 | 21 | For 3" Diameter Poles 3/4" Thick / 3 1/2" Inner Diameter |
| Wood Accessories | | | | | | | | | |
| 5050-138 | EACH | 68 | 86 | 93 | 100 | 99 | 105 | 118 | Swivel Movable Elbow For 1 3/8" Diameter Poles |
| 5050-200 | EACH | 88 | 112 | 122 | 131 | 129 | 137 | 153 | Swivel Movable Elbow For 2" & 2 1/4" Diameter Poles |

**Rope Poles in all diameter is subject to availability.*

Wood Poles & Accessories: Page 75 of Catalog (continued)

| Product # or Size | Unit | Iron Art Finishes | | | | Wood Art Finishes | | Custom Finish | Additional Information |
|-------------------------|------|-------------------|----|----|----|-------------------|----|---------------|--|
| | | A | B | C | D | E | F | | |
| Wood Accessories | | | | | | | | | |
| 5051-138 | PAIR | 25 | 30 | 34 | 38 | 35 | 39 | 43 | Standard Socket Pair For 1 3/8" |
| 5051-200 | PAIR | 49 | 63 | 69 | 73 | 72 | 77 | 86 | Standard Socket Pair For 2" & 2 1/4" |
| 5052-138 | EACH | 23 | 27 | 30 | 31 | 31 | 34 | 39 | End Cap For 1 3/8" Diameter Poles |
| 5052-200 | EACH | 42 | 53 | 57 | 63 | 62 | 66 | 72 | End Cap For 2" & 2 1/4" Diameter Poles |
| 5052-300 | EACH | 63 | 79 | 88 | 93 | 92 | 98 | 108 | End Cap For 3" Diameter Poles |
| 5053 | EACH | 39 | 48 | 53 | 56 | 56 | 59 | 67 | 1/2" Dia. Baton, 38" Long / Clip Only |
| 5055 | EACH | 23 | 23 | 23 | 23 | 23 | 23 | 23 | Miter Charge |
| 5056 | EACH | 10 | 10 | 10 | 10 | 10 | 10 | 10 | Metal Connector for Wood |
| 5071 | EACH | 44 | 56 | 63 | 67 | 66 | 70 | 77 | 5/8" Dia. Baton, 38" Long / Clip Only |
| 5090-SM-250 | EACH | 31 | 38 | 44 | 49 | 44 | 49 | 52 | Smooth 2" Wood Post Tieback with Mounting Plate: 2 1/2" P |
| 5090-SM-400 | EACH | 31 | 38 | 44 | 49 | 44 | 49 | 52 | Smooth 2" Wood Post Tieback with Mounting Plate: 4" P |
| 5090-SM-600 | EACH | 31 | 38 | 44 | 49 | 44 | 49 | 52 | Smooth 2" Wood Post Tieback with Mounting Plate: 6" P |
| 5090-SM-CUST | EACH | 31 | 38 | 44 | 49 | 44 | 49 | 52 | Smooth 2" Wood Post Tieback with Mounting Plate: Custom P Up to 12" |
| 5090-FL-250 | EACH | 31 | 38 | 44 | 49 | 44 | 49 | 52 | Fluted 2" Wood Post Tieback with Mounting Plate: 2 1/2" P |
| 5090-FL-400 | EACH | 31 | 38 | 44 | 49 | 44 | 49 | 52 | Fluted 2" Wood Post Tieback with Mounting Plate: 4" P |
| 5090-FL-600 | EACH | 31 | 38 | 44 | 49 | 44 | 49 | 52 | Fluted 2" Wood Post Tieback with Mounting Plate: 6" P |
| 5090-FL-CUST | EACH | 31 | 38 | 44 | 49 | 44 | 49 | 52 | Fluted 2" Wood Post Tieback with Mounting Plate: Custom P Up to 12" |
| 1087 | EACH | 25 | 31 | 34 | 38 | NA | NA | 44 | "U" Shape Bend Charge for Finials 3 1/2" P |
| 1088FX-300 | EACH | 27 | 34 | 38 | 41 | NA | NA | 46 | Fixed Post Projection with Mounting Plate Charge for Finials: 3" P |
| 1088FX-400 | EACH | 27 | 34 | 38 | 41 | NA | NA | 46 | Fixed Post Projection with Mounting Plate Charge for Finials: 4" P |
| 1088FX-650 | EACH | 27 | 34 | 38 | 41 | NA | NA | 46 | Fixed Post Projection with Mounting Plate Charge for Finials: 6 1/2" P |

Rosina Collection: Ordering Information

1. The Rosina Collection is available to fit 1 3/8", 2", and 2 1/4" wood poles in smooth and fluted styles.
2. Rosina finials are constructed in resin.
3. Finials can be combined with iron rods.

Rosina Collection (Resin and Wood): Pages 76 & 77 of Catalog

| Product # | Unit | Iron Art Finishes | | | | Wood Art Finishes | | Custom Finish | Additional Information |
|-----------|------|-------------------|----|----|----|-------------------|----|---------------|-------------------------------------|
| | | A | B | C | D | E | F | | |
| 6002 | | | | | | | | | Discontinued |
| 6003 | EACH | 38 | 48 | 52 | 55 | 55 | 58 | 65 | To Fit 1 3/8" Diameter Poles |
| 6006 | | | | | | | | | Discontinued |
| 6007 | EACH | 64 | 80 | 90 | 95 | 94 | 99 | 112 | To Fit 2" and 2 1/4" Diameter Poles |
| 6010 | EACH | 44 | 57 | 63 | 68 | 67 | 71 | 79 | To Fit 1 3/8" Diameter Poles |
| 6011 | EACH | 64 | 80 | 90 | 95 | 94 | 99 | 112 | To Fit 2" and 2 1/4" Diameter Poles |
| 6013 | EACH | 64 | 80 | 90 | 95 | 94 | 99 | 112 | To Fit 2" and 2 1/4" Diameter Poles |
| 6014 | | | | | | | | | Discontinued |

Rosina Collection (Resin and Wood): Pages 76 & 77 of Catalog

| Product # | Unit | Iron Art Finishes | | | | Wood Art Finishes | | Custom Finish | Additional Information |
|-----------|------|-------------------|----|----|----|-------------------|----|---------------|---|
| | | A | B | C | D | E | F | | |
| 6015 | | | | | | | | | Discontinued |
| 6017 | EACH | 55 | 71 | 78 | 82 | 81 | 89 | 97 | To Fit 2" and 2¼" Diameter Poles |
| 6019 | EACH | 53 | 68 | 72 | 76 | 75 | 79 | 84 | Available While Supplies Last To Fit 2" and 2¼" Diameter Poles |
| 6020 | EACH | 55 | 70 | 75 | 79 | 78 | 82 | 90 | Available While Supplies Last To Fit 2" and 2¼" Diameter Poles |
| 6022 | EACH | 35 | 44 | 49 | 51 | 50 | 53 | 56 | Available While Supplies Last To Fit 1⅜" Diameter Poles |
| 6023 | | | | | | | | | Discontinued |
| 6000 | | | | | | | | | Discontinued |
| 6001 | | | | | | | | | Discontinued |
| 6004 | | | | | | | | | Discontinued |
| 6005 | | | | | | | | | Discontinued |
| 6008 | | | | | | | | | Discontinued |
| 6009 | | | | | | | | | Discontinued |
| 6014 | | | | | | | | | Discontinued |

New York Wood Collection: Ordering Information

1. The New York Wood Collection is available to fit 1⅜", 2", 2¼", and 3" wood poles in smooth and fluted styles.
2. Finials can be combined with iron rods.

New York Wood Collection (Wood Finials): Page 78 of Catalog

| Product # | Unit | Iron Art Finishes | | | | Wood Art Finishes | | Custom Finish | Additional Information |
|-----------|------|-------------------|----|-----|-----|-------------------|-----|---------------|----------------------------------|
| | | A | B | C | D | E | F | | |
| 5020 | EACH | 55 | 71 | 77 | 82 | 81 | 88 | 96 | To Fit 2" and 2¼" Diameter Poles |
| 5021 | EACH | 51 | 64 | 71 | 76 | 75 | 79 | 89 | To Fit 2" and 2¼" Diameter Poles |
| 5022 | EACH | 51 | 64 | 71 | 76 | 75 | 79 | 89 | To Fit 2" and 2¼" Diameter Poles |
| 5023 | EACH | 62 | 78 | 86 | 92 | 91 | 96 | 107 | To Fit 2" and 2¼" Diameter Poles |
| 5024 | | | | | | | | | Discontinued |
| 5025 | EACH | 51 | 64 | 71 | 76 | 75 | 79 | 89 | To Fit 2" and 2¼" Diameter Poles |
| 5026 | EACH | 53 | 68 | 73 | 79 | 78 | 82 | 93 | To Fit 2" and 2¼" Diameter Poles |
| 5027 | EACH | 51 | 64 | 71 | 76 | 75 | 79 | 89 | To Fit 2" and 2¼" Diameter Poles |
| 5028 | EACH | 51 | 64 | 71 | 76 | 75 | 79 | 89 | To Fit 2" and 2¼" Diameter Poles |
| 5030 | EACH | 69 | 89 | 96 | 103 | 102 | 109 | 120 | To Fit 3" Diameter Poles |
| 5031 | EACH | 69 | 89 | 96 | 103 | 102 | 109 | 120 | To Fit 3" Diameter Poles |
| 5032 | EACH | 69 | 89 | 96 | 103 | 102 | 109 | 120 | To Fit 3" Diameter Poles |
| 5033 | EACH | 75 | 95 | 103 | 112 | 110 | 117 | 130 | To Fit 3" Diameter Poles |
| 5034 | EACH | 69 | 89 | 96 | 103 | 102 | 109 | 120 | To Fit 3" Diameter Poles |
| 5035 | EACH | 69 | 89 | 96 | 103 | 102 | 109 | 120 | To Fit 3" Diameter Poles |
| 5036 | EACH | 69 | 89 | 96 | 103 | 102 | 109 | 120 | To Fit 3" Diameter Poles |
| 5037 | EACH | 69 | 89 | 96 | 103 | 102 | 109 | 120 | To Fit 3" Diameter Poles |
| 5040 | EACH | 38 | 48 | 52 | 55 | 55 | 58 | 65 | To Fit 1⅜" Diameter Poles |
| 5041 | EACH | 38 | 48 | 52 | 55 | 55 | 58 | 65 | To Fit 1⅜" Diameter Poles |
| 5042 | EACH | 38 | 48 | 52 | 55 | 55 | 58 | 65 | To Fit 1⅜" Diameter Poles |
| 5043 | EACH | 38 | 48 | 52 | 55 | 55 | 58 | 65 | To Fit 1⅜" Diameter Poles |
| 5038 | | | | | | | | | Discontinued |

Promotional Items for Designers: Ordering Information

1. Prices for Promotional Items are on "NET" basis.
2. Custom displays can be ordered.

#8000 - Product Wall Display - Set 1: Page 79 of Catalog

\$625 Each (Net) W32" H48"

Display Includes:

Tuscany Collection
Metal Cornice with Wood Duster
Design: 8021 Acanthus Single
Finish Group B: Bronze Vecchio

Rosina Collection
2" Fluted Wood Pole
Left/Right Finials: 6017
Bracket 1040-RND
Smooth Ring 5047
Finish Group D: Autumn

Unique Collection
1" Round Hollow Iron Rod
Left/Right Finials: 321, 513
End Bracket 1028SE
Support Bracket 318SC
"C" Ring 330
Finish Group B: Antique Bronze

Tropical Collection
1¼" Bamboo Straight Iron Rod
Left/Right Finials: 9005, 9004
Bracket 9010
Round Ring 9025
Finish TC206: Rustic Bamboo

Italian Collection
1" Round Hollow Iron Rod
Left/Right Finials: 7003, 7006
Bracket 7014
Round Ring 7013
Finish Group I: Brushed Nickel

Bohemia Collection
1" Round Hollow Iron Rod
Left/Right Finials: 783, 771
Bracket 7014 • Round Ring 7013
Finish Group J: Polished Chrome

Swing Arm 1074A
¾" Round Iron Rod
Mounting Plate R1
Finish Group B: Old Black

Iron Art™ Accessories
1058 Rosette Post Projection Tieback
Finish Group B: Naturelle

Iron Art™ Accessories
315 Movable Elbow - Interior Fit
309 90° Elbow - Exterior Fit
Finish Group B: Naturelle

Iron Art™ Accessories
303 Full Socket
302 Half Socket
1013 U Shape Bend Tieback
Finish Group B: Naturelle

#8001 - Product Wall Display - Set 2: Page 79 of Catalog

\$625 Each (Net) W32" H48"

Display Includes:

Designers' Choice Traversing - Wood
2" Fluted Traversing Wood Pole - Double Set
Right Stack
Finials: 5027
Finish Group E: Walnut

Designers' Choice Traversing - Iron
1½" Square Traversing Iron Rod - Single Set
Right Stack
Finials: 947S
Square Rings IT352TR
Finish Group B: Soft Pewter

1½" Round Hollow Hammered Iron Rod
Hardware Set
Left/Right Finials: 946H, 913S
Left/Right Brackets: 1102, 1106
Round Ring 350
Finish Group C: Bronze Patina

1" Twist Hollow Iron Rod Hardware Set
Left/Right Finials: 906S, 904S
Bracket 1030-RND
Twisted Ring 351
Finish Group B: Rusty

1" Square Hollow Iron Rod Hardware Set
Left/Right Finials: 417, 907
Bracket 1028-SQ • Square Ring 352
Finish Group C: Burnt Gold

Burgundy Collection 264
¾" Iron Rod with Return
Round Ring 350
Finish Group C: Sage Gold

Baton 1016 with Clip
Finish Group B: Naturelle

#8002 - Xpress Yourway Wall Display: Page 79 of Catalog

\$625 Each (Net) W32" H48"

Display Includes:

Iron Hardware Double Set
1" Round Hollow Iron Rod
Left/Right Front Finials: 513, 420
Left/Right Rear End Caps: 321, 301
Left/Right Brackets: 1024/1040DBWS-RND
Round Ring 350 • Express It! Finish: Black

Iron Hardware Single Set
1" Round Hollow Iron Rod
Left/Right Finials: 966, 505
Left/Right Brackets: 1028/1040-RND 6"P
Support Bracket 1040HP-RND 6"P
Round Ring 350
Express It! Finish: New Nickel

Iron Hardware Single Set
1" Round Hollow Iron Rod
Left/Right Finials: 946 2", 947L
Left/Right Brackets: 1028/1040-RND
Support Bracket 1040HP-RND
Round Ring 350
Quicken It! Finish: Antique Bronze

Iron Hardware Single Set
1¼" Round Hollow Iron Rod
Left/Right Finials: 950, 906S
Left/Right Brackets: 1028/1040-RND
Support Bracket 1028HP-RND
Round Ring 350
Quicken It! Finish: Antique Gold

Italian Hardware Double Set
1" Round Hollow Iron Rod
Left/Right Front Finials: 778, 7003
Left/Right Rear End Caps: 790, 7016
Bracket 7040 • Round Ring 7013
Express It! Finish: Brushed Nickel

Italian Hardware Single Set
1" Round Hollow Iron Rod
Left/Right Finials: 781, 7005
Bracket 7015 6"P
Support Bracket 7015HP 6"P
Round Ring 7013
Express It! Finish: Polished Chrome

Italian Hardware Single Set
1" Round Hollow Iron Rod
Left/Right Finials: 782, 7006
Bracket 7014 • Support Bracket 7014HP
Round Ring 7013
Express It! Finish: Brushed Nickel

Italian Hardware Single Set
1" Round Hollow Iron Rod
Left/Right Finials: 774, 775
Bracket 7014 • Round Ring 7013
Express It! Finish: Polished Chrome

Accessories
Socket 302 • Socket 303
Express It! Finish: Light Brown

Socket 306-112 • Tieback 1078
Quicken It! Finish: Soft Pewter

Tieback 1073 • Tieback 1059 Rosette
Quicken It! Finish: Pure White

Baton 1016 • Quicken It! Finish: Soft Pewter

#8003 - Designer Finial Set: Page 79 of Catalog

\$115 Each (Net) - Includes:

Finial Samples:

Iron Finial #946 on Smooth
Round Hollow 1¼" Diameter Rod

Iron Finial #913L on Smooth
Round Hollow 1½" Diameter Rod

Bohemia Finial #771 on Smooth
Round Hollow 1" Diameter Rod

Iron Finial #976 on Fluted
Round Hollow 1¼" Diameter Rod

Italian Finial # 7005 on Smooth
Round Hollow 1" Diameter Rod

Wood Finial #5040 on Smooth
1⅜" Diameter Wood Pole

#8011 - Designer Sample Kit: Page 79 of Catalog

\$150 Each (Net) L20" W15" H5" Weight 11 lbs. - Includes:

One Soft Carrying Case

One Set of Orion's Catalog, Brochures, Price Lists and Order Forms.

Finial Samples:

Iron Finial #946 on Smooth
Round Hollow 1¼" Diameter Rod

Iron Finial #913L on Smooth
Round Hollow 1½" Diameter Rod

Bohemia Finial #771 on Smooth
Round Hollow 1" Diameter Rod

Iron Finial #976 on Fluted
Round Hollow 1¼" Diameter Rod

Italian Finial # 7005 on Smooth
Round Hollow 1" Diameter Rod

Wood Finial #5040 on Smooth
1⅜" Diameter Wood Pole

Designer Tools: Page 79 of Catalog

#8017 - Designer Rod Size Set - \$40 Each (Net)

Includes Base, Cap, and Post to Hold the Set Together and 1 Sample Each of the Following Diameters:

- ½" Diameter
- ⅝" Diameter
- ¾" Diameter
- ⅞" Diameter
- 1" Diameter
- 1¼" Diameter
- 1½" Diameter
- 2" Diameter
- 3" Diameter

#8018 - Designer Ring Size Set - \$30 Each (Net)

Includes Hinged Metal Snap Ring and 1 Sample Each of the Following Diameters:

- ¾" Inner Diameter
- 1" Inner Diameter
- 1¼" Inner Diameter
- 1½" Inner Diameter
- 1¾" Inner Diameter
- 2" Inner Diameter
- 2½" Inner Diameter
- 3" Inner Diameter
- 3½" Inner Diameter
- 4" Inner Diameter

Finish Selectors and Catalogs: Page 79 of Catalog

| Product # | Description | Unit | Price (Net) | Additional Information |
|-------------|--|------|-------------|---|
| 8004 | Iron Art™ Finish Selector Set | EACH | 70 | 36 Iron Art™ finishes in three plastic binder sleeves. |
| 8005 | Wood Art™ Finish Selector Set | EACH | 30 | 11 Wood Art™ finishes in one plastic binder sleeve. |
| 8007 | Rods with Return Display Board | EACH | 625 | Rods with Return Display Board H 32" X W 24" |
| 8014 | Italian Finish Selector Set | EACH | 75 | Includes 13 Italian Collection color selectors in 1 plastic ring binder sleeve. |
| 8006 | Tropical Bamboo Finish Selector Set | EACH | 40 | 6 Tropical Collection finishes on rings. |
| 8008 | Color Selector Sets in Binder | EACH | 125 | Includes finish selector sets in plastic sleeves for our Iron Art™, Wood Art™, and Italian Collections in a full color 3-ring binder. |
| 8009 | Catalog/Price List & Forms Set | EACH | 10 | All our current catalogs, brochures, price lists and order forms. |
| 8015 | Color Binder Set w/Catalog (8008 + 8009) | EACH | 135 | Includes everything from 8008, plus our catalog and price list. |
| 8016 | Single Square Color Selector Chip | EACH | 6 | Single color selector chip of any Iron Art™ or Italian Collection finish. |
| 8019 | 7 New Italian Finish Selector Chips | EACH | 30 | 7 New Italian Collection™ finishes in one plastic binder sleeve. |

TERMS OF SALE

1. PRICES

- a. All prices (except Promotional Items) listed are retail prices in US\$ and are FOB warehouse.
- b. Prices and terms of sale are subject to change without notice.
- c. Prices and specifications are subject to corrections resulting from errors, omissions, and modifications.
- d. Specifications listed in this price list supersede those listed in the catalog.

2. TERMS

- a. Customer accounts are opened under the following terms: Payment Before Shipping (Proforma), or Credit Card (Visa, MasterCard, or American Express).
 1. Credit card accounts give specific to the Company to charge the credit card upon completion of the order.
- b. **All orders \$2,500 and above need a 50% deposit prior to commencement of manufacturing.**
- c. A \$50.00 fee will be charged for any returned checks.
- d. Late payments on a Net 30 account will cause the account to become Proforma, or Credit Card. **A late fee of payment interest of 1.5% per month (18% per year) will be added to all invoices not paid within 7 days.**
- f. The Company reserves the right to review and change account terms at any time.
- g. Any and all legal or collection costs that are incurred in procuring past due accounts will be the sole responsibility of the customer, and will be added to outstanding account balances.
- h. **All requests for credit on invoices that are priced incorrectly or contain other invoicing errors should be sent to the Company in writing within 30 days of the invoice date.**

3. NEW ORDERS

- a. To ensure correct ordering information, we prefer that all orders be faxed or emailed using our Drapery Hardware Order forms.
- b. **The Company has provided a comprehensive ordering information guide for its products. Please review it carefully before placing an order.**
- c. Please review orders for accuracy and completeness before sending.
- d. Manufacturer's best judgment will prevail on order details not provided before processing an order.
- e. **Any errors or omissions are the customer's sole responsibility.**
- f. Verbal orders will **NOT** be accepted at any time.
- g. Orders can be sent via fax, standard mail, or email.
- h. Orders received by 12:00 noon Pacific Standard Time will be deemed to be received on that business day.
- i. **Incomplete orders, or orders with questions will be deemed to be received on the date that all queries have been answered.**
- j. **Duplicate orders sent and executed will be the customer's sole responsibility.**
- k. The Company will send an Order Confirmation to customers within 72 hours of receipt of an order.
- l. All customers with a physical presence in California are required to have a valid resale certificate on file with the Company. Sales tax will be charged on orders from California customers not having a valid resale certificate on file with the Company.

4. ORDER CHANGES / REVISIONS

- a. **All revisions and changes MUST be in writing, and should be submitted via fax or email.**
- b. Customer changes and revisions will **NOT** be accepted after three working days from receipt of an order.
- c. Changes and revisions on any rush order will not be accepted after 24 hours from receipt of an order.
- d. Changes cannot be made to Xpress Yourway orders once confirmation is received.
- e. There will be a \$25.00 charge for customer changes received more than 48 hours after the original order.
- f. NO charge for: changing shipping instructions up to the scheduled ship date; to add items to an order up to two

working days from receipt of an order; making changes that stem from clarification of orders.

- g. **Any changes or revisions may affect the shipping date.**

5. ORDER CANCELLATIONS AND HOLDS

- a. Since all orders are hand-made, custom to order, no cancellations or holds will be accepted after three business days from the date of an order.
- b. **Any orders cancelled or held beyond three days of placing the order will be subject to a cancellation charge of \$25.00, plus a 40% restocking fee of net invoice/item value as applicable.**
- c. Custom items, such as cut rods, are **NOT** refundable.
- d. Rush orders cannot be cancelled or put on hold.
- e. All requests for order holds or cancellations must be sent in writing.

6. PRODUCTION / DELIVERY

- a. The due date listed on the sales order confirmation indicates that the order will be shipped or ready for Will Call at the **END** of that business day.
- b. The orders ship dates for standard and customization including (Italian, Tuscany, and Traversing) will be based on the production schedule prevailing at a given time. Please contact your Customer Service representative for the prevailing production due dates on orders.
- c. **Rush orders** are accepted on a limited basis. These should be handled as an exception and not a rule. Rush orders may be refused for any reason whatsoever. Rush order surcharges for Standard orders are:
 1. **RUSH:** 30% on orders shipped early by 3 business days from the prevailing due dates.
 2. **HOT RUSH:** 60% on orders shipped early by 5 business days from the prevailing due dates.Rush order surcharges for Customization (Italian, Tuscany, Traversing, and custom) orders are:
 1. **RUSH:** 30% on orders shipped early by 3 business days from the prevailing due dates.
 2. **HOT RUSH:** 60% on orders shipped early by 5 business days from the prevailing due dates.
- d. Scheduled ship dates are based on production variables and are difficult to expedite. Any date changes will incur the change charge as delineated above. (Large and non-standard orders may require more time.)
- e. The nature of the order will be taken into account when assigning scheduled ship dates.
- f. **All orders are shipped FOB warehouse. Delivery charges are to customer's account.**
- g. Shipping charges include handling and packaging charges. If a customer chooses to have the shipping charges billed to his shipping account (FedEx, UPS) or his trucking company account, there will be a 4% of retail invoice value charge added for packaging and handling only.
- h. A valid shipping address must be provided at the time you submit your purchase order. Orders that must be re-delivered or extra trip(s) made by UPS, FedEx, or Common Carrier will incur redelivery and/ or holding fees. Address changes on ground shipments will incur a \$15.00 fee per box/tube.
- i. All residential fees are the responsibility of the customer. All special access delivery fees are the responsibility of the customer.
- j. Orion will ship your orders via FedEx, UPS or USPS based on the most economical carrier. Freight surcharges vary by carrier and are not always known at the time of your shipment. Freight surcharges are the responsibility of the customer and may be billed on a later date.
- k. The above shipping due dates are at the time of publishing the price list and subject to change.
- l. Certain orders may require additional packaging and/or special handling, which will be an additional charge on the order. (ie. bent rods)

m. Please see page 86 for FedEx/UPS Freight Surcharge.

7. WILL CALL ORDERS

- a. The due date listed on the sales order confirmation indicates that the order will be ready for Will Call at the **END** of that business day.
- b. All Will Call orders will be invoiced and mailed on the date that the order is completed, and will be due according to the customer's account terms.
- c. Accounts with Payment Before Delivery (Proforma), or Credit Card terms must pay for their Will Call orders in full at the time of order readiness in production.
- d. **Will Call orders should be picked up within two weeks of completion.**
- e. Will Call orders not picked up after three weeks from completion will be subject to a stocking charge of \$20.00 per week.
- f. Will Call orders not picked up after six weeks will be returned to inventory and be subject to a 50% production fee.
- g. Please confirm that production of the order is complete before arriving to pick it up.

8. RETURN POLICY

- a. **No product will be accepted for return without prior authorization. Please call your Customer Service Executive prior to returning any merchandise.**
 1. Your Customer Service Executive will issue a Return Merchandise Authorization (RMA) number.
 2. **The RMA# MUST be noted on all packages that are returned to the Company.**
 3. If the return is due to Company error or omission, a call tag will be issued to pick up the material to be returned.
 4. Shipping charges on all returns other than defective or damaged merchandise will be borne by the customer.
- b. Rings, standard brackets, and finials will be accepted for return with a restocking fee of 40% of net invoice/item as applicable.
- c. With the exception of defects and damages:
 1. **Custom orders or orders made to a customer's specifications and/or crackle finishes cannot be returned.**
 2. Rods cut to customer's specification are **NOT** returnable.
 3. The customer will pay a 40% restocking fee of net invoice/item as applicable.
- d. On applicable items, credit for returns will be issued. Credit for restocked items is "**on account**", and will be applied against open invoices and/or future orders. At no time will there be a cash/check/credit card refund.
- e. **No return request will be accepted after 30 days from the invoice date.**

9. DEFECTIVE, DAMAGED OR MISSING MERCHANDISE

- a. **Orders MUST be checked upon receipt.**
 1. **Immediately upon receipt, your order should be inspected for shortages, damages, and to ensure that there is no concealed damage from shipping.**
 2. **Refuse all packages that have visible damage or are opened and may have missing pieces. Claims on damages or shortages must be made immediately. Any missing packages must be reported to Orion within 48 hours from receipt of order.**
 3. **Please note on the Bill of Lading (BOL) or Delivery Receipt if there is any possibility of damage.**
 4. **Photographs and physical inspection are required. DO NOT discard contents or packaging. You will be responsible for damaged freight not properly noted on delivery receipt/BOL or reported after 1 week from delivery date.**
 5. **The company will not be responsible for any shipping damage claims in the event the damage handling process is not followed.**
- b. The Company will repair or replace any defective merchandise at its sole discretion.
- c. The Company will be responsible for any freight charges to

return defective merchandise. A RMA# and call tag will be issued by the Customer Relations Executive.

- d. If, upon examination, the merchandise is found to be **NOT** defective, the customer will be charged freight.

10. INSTALLATION

- a. It is of the utmost importance that all the Company products be installed properly.
- b. For questions regarding securing products to a particular surface, please consult a professional installer.
- c. **The Company will not be responsible nor liable under any circumstances for installation or any costs relating to installation, removal, or reinstallation. The Company will only repair or replace any defective or damaged product.**

11. FINISHES

- a. All finishes are done by hand, thus some variation in tone and appearance will occur.
- b. All product prices include finishes. Please see this price list for finish groups.
- c. The Company can custom match most finishes.
 1. All custom finishes will require a strike-off approved by the customer before the Company finishes the product. The strike-off has a one time net charge of \$65.00, and turn around time is 3 business days.
 2. When ordering, please refer to product pricing in the Custom Finish Group.
- d. **The lithographic color reproductions presented in the catalog may not accurately reflect the true tones, lusters, and depths of the finishes. Please refer to actual finish samples (Color Selector Sets) for a more accurate representation.**

12. CUSTOM ORDERS

- a. The Company is a true custom manufacturer, and as such we are able to manufacture products to almost any specification.
- b. Any item that varies from the specifications published in the Company catalogs and price lists will be subject to a minimum customization charge of \$180.00 per item retail. This should be added to the standard cost of the product.
- c. If the customization charge is greater than \$180.00 per item retail, the Company will contact the customer with a price quote and wait for approval before proceeding with the order.

13. WARRANTY

- a. The Company offers a standard limited warranty on all merchandise to be free from manufacturing defects for a period of one year from the date of purchase.
- b. This warranty does **NOT** apply to normal wear and tear, damage from mishandling, abuse, or exposure due to climatic conditions.
- c. **This warranty specifically excludes any product that is used in an external environment.**

14. EFFECTIVE DATE

- a. **These terms of sale are effective as of March 15, 2024.**
- b. These terms of sale may be revised, amended, or replaced at any time at the Company's discretion.

15. DISCLAIMER

- a. The Company endeavors to provide accurate information in all of its catalogs and price lists. However, the Company is **NOT** responsible for any errors or omissions of any kind, nor is the Company liable for any charges that stem from any errors or omissions on its part.
- b. All orders placed with the Company are governed by the terms of sale in effect at the time of ordering.

ADDITIONAL FEDEX/UPS FREIGHT SURCHARGE

Any box over 96" and less than 108" in length will incur additional surcharge per box.

1) Orion policy is to splice any rod/pole over 94" and less than 106" **ONLY** when specified on the order, otherwise it will ship in one piece and will incur an additional surcharge as per Shipping Charge Rate Sheet. 2) Orion policy is to automatically splice any rod/poles over 106" unless specified **"DO NOT SPLICE"** in order, in which case it will be shipped by truck. 3) Orion policy is to automatically splice any Manual Traversing Facia/rod length over 90" and less than 102" unless specified **"DO NOT SPLICE"** in order, in which case it will incur additional surcharge as per Shipping Charge Rate Sheet per box. 4) Orion Policy is to automatically splice any Manual Traversing Facia/rod length over 102" unless specified **"DO NOT SPLICE"** in order, in which case it will be shipped by truck. 5) Orion policy is **NOT** to automatically splice any Motorized Traversing Facia/rod length over 90" and less than 102" unless specified **"SPLICE"** in order, in which case it will incur additional surcharge as per Shipping Charge Rate Sheet per box. 6) Orion policy is **NOT** to automatically splice any Motorized Traversing Facia/rod length over 102" unless Specified **"SPLICE"** in order, in which case it will shipped by truck.

NOTE: For multiple rod/pole length over 94" and less than 106" in a single order will be packed together in single box to keep the additional surcharge per box and not per rod.

SUMMARY OF CHARGES

Below is a listing of charges found in Terms of Sale (page 84).

| Type of Charge | Amount |
|--|---|
| Returned Checks | \$50 net |
| Late Payments | 1.5% interest/month on unpaid amount |
| Order Changes after 48 Hours | \$25 net |
| Cancellation Charge | \$25 net plus 40% restocking of net invoice/item value as applicable |
| Shipping billed to Customer's Shipping Account | 4% of retail invoice value for packaging and handling |
| Will Call Stocking Charge | \$20 net a week after three weeks |
| Will Call Production Restocking Fee | \$50% restocking of new invoice value after six weeks, order returned to inventory |
| Restocking Fee | 40% of net invoice/Item as applicable |
| Strike-off Charge | \$65 net |
| Minimum Customization Charge | \$180 retail per item |
| Weld Charge | \$30 retail per item |
| Additional Freight Surcharge | See Above |

SUMMARY OF UPCHARGES (NET PRICING)

| Type of Order | Amount |
|---|------------|
| Outdoor Hardware | 40% |
| Semi or High Gloss Finish | 20% |
| Rush Orders <i>Standard orders and Customization (Italian, Tuscany, Traversing, and Custom) orders shipped early by 3 business days from the prevailing due dates.</i> | 30% |
| Hot Rush Orders <i>Standard orders and Customization (Italian, Tuscany, Traversing, and Custom) orders shipped early by 5 business days from the prevailing due dates.</i> | 60% |
| Traversing Set Custom Finish | 40% |

Please refer to Terms of Sale (page 84) for more details on RUSH charges and turn around times.

DECORATIVE DRAPERY HARDWARE ORDER FORM

IMPORTANT INFORMATION: Please read the following carefully before utilizing this form:

1. This order form is to be used to order ♦ Finials ♦ Eclectic Finials ♦ Tie Backs ♦ Batons ♦ Brackets ♦ Accessories ♦ Rings ♦ Rods ♦ Swing Arms ♦ Unique Collection ♦ Fina Collection ♦ Italian Collection ♦ Tropical Collection (except 9040S & 9040D Cornices) ♦ Milano Collection ♦ Rosina Collection ♦ New York Wood Collection ♦ Wood Craft Collection ♦ Wood Poles and Accessories ♦ Promotional Items for Designers
2. Utilize Special Instructions area to elaborate items that require special processing. Use additional forms/sheets if space is inadequate.

| CUSTOMER INFORMATION | | | | | |
|---|--|--------|---|---|--|
| Company Name: | | | Page ____ of ____ | | |
| Ordered By (Name): | | | Order Date: | | |
| Side Mark: | | | Account#: | | |
| Phone: | | | PO#: | | |
| Ship to: | | | Drawing/Template: Yes: <input type="checkbox"/> No: <input type="checkbox"/> | | |
| Street: | | | Order Type: Reg: <input type="checkbox"/> Rush: <input type="checkbox"/> Hot Rush: <input type="checkbox"/> | | |
| City: | | State: | Zip: | Delivery Location: Business: <input type="checkbox"/> Residential: <input type="checkbox"/> | |
| Ship Via: FedEx/UPS Ground: <input type="checkbox"/> 3 Day: <input type="checkbox"/> 2 Day: <input type="checkbox"/> Overnight: <input type="checkbox"/> Truck: <input type="checkbox"/> Will Call: <input type="checkbox"/> Other: | | | | | |

| IRON RODS • ITALIAN RODS • WOOD POLES | | | | | | | | |
|---------------------------------------|------------------|--------------------------------|-------------------|--|---------------|--------|--------|------|
| Qty. | Rod Type / Rod # | Rod Style (Round, Twist, Etc.) | Rod Dia. (Inches) | Rod Length (In.) (Not Including Finials) | Splice Yes/No | Finish | | Room |
| | | | | | | Name | Number | |
| | | | | | | | | |
| | | | | | | | | |
| | | | | | | | | |

Special Instructions:

| FINIALS • ECLECTIC FINIALS | | | | | | | | |
|----------------------------|-----------|--------------------------------|--------------------------|----------------------------------|---------------------------------|--------|--------|------|
| Qty. | Product # | Rod Style (Round, Twist, Etc.) | To Fit Rod Dia. (Inches) | Finial Fit (Interior / Exterior) | Left / Right (Where Applicable) | Finish | | Room |
| | | | | | | Name | Number | |
| | | | | | | | | |
| | | | | | | | | |
| | | | | | | | | |

Special Instructions:

| BRACKETS • DECORATIVE BRACKETS | | | | | | | |
|--------------------------------|-----------|--------------------------------|--------------------------|---------------------|--------|--------|------|
| Qty. | Product # | Rod Style (Round, Twist, Etc.) | To Fit Rod Dia. (Inches) | Projection (Inches) | Finish | | Room |
| | | | | | Name | Number | |
| | | | | | | | |
| | | | | | | | |
| | | | | | | | |

Special Instructions:

| RINGS | | | | | | |
|-------|-----------|------------------------------------|------------------------------|--------|--------|------|
| Qty. | Product # | Ring Size Inside Diameter (Inches) | To Fit Rod Diameter (Inches) | Finish | | Room |
| | | | | Name | Number | |
| | | | | | | |
| | | | | | | |
| | | | | | | |

Special Instructions:

| ACCESSORIES | | | | | | | |
|-------------|-----------|-----------------------------------|--------------------------------|------------------------------|--------|--------|------|
| Qty. | Product # | Rod Style (Round, Twist, Etc.) | To Fit Rod Dia. (Inches) | Fit (Interior / Exterior) | Finish | | Room |
| | | | | | Name | Number | |
| | | | | | | | |
| | | | | | | | |
| | | | | | | | |

Special Instructions:

| TIE BACKS AND SWAG HOLDERS | | | | | | | |
|----------------------------|-----------|-----------------|----------------|---------------------------------------|--------|--------|------|
| Qty. | Product # | Tie Back Style | | Left / Right (Where Applicable) | Finish | | Room |
| | | Post Projection | "U" Bend Shape | | Name | Number | |
| | | | | | | | |
| | | | | | | | |
| | | | | | | | |

Special Instructions:

| BATONS | | | | | | | |
|--------|-----------|----------------------------------|-----------------|--|--------|--------|------|
| Qty. | Product # | Length in Inches (Tip to Tip) | Clip or Ring | Ring Size Inside Diameter (Inches) | Finish | | Room |
| | | | | | Name | Number | |
| | | | | | | | |
| | | | | | | | |
| | | | | | | | |

Special Instructions:

| SWING ARMS | | | | | | | | |
|------------|-----------|--|---------------------------------------|--|-----------------------------------|--------|--------|------|
| Qty. | Product # | Length (In.) (Including Finials) | Left / Right (Where Applicable) | Bracket # (If 3" or 6" Projection) | Mounting Plate (R1, R2, D3) | Finish | | Room |
| | | | | | | Name | Number | |
| | | | | | | | | |
| | | | | | | | | |
| | | | | | | | | |

Special Instructions:

| OASIS COLLECTION | | | | | | | |
|------------------|-----------|-------------------------|--------|----------|--------|--------|------|
| Qty. | Product # | Length (S, M, L, XL) | Ring | | Finish | | Room |
| | | | Number | Quantity | Name | Number | |
| | | | | | | | |
| | | | | | | | |
| | | | | | | | |

Special Instructions:

| PROMOTIONAL ITEMS FOR DESIGNERS | | | | | | | | |
|---------------------------------|------|------|------|------|------|------|------|------|
| Product # | 8000 | 8001 | 8002 | 8003 | 8004 | 8005 | 8006 | 8008 |
| Quantity | | | | | | | | |
| Product # | 8009 | 8010 | 8011 | 8014 | 8015 | 8016 | 8017 | 8018 |
| Quantity | | | | | | | | |

EXCLUSIVE COLLECTIONS ORDER FORM

IMPORTANT INFORMATION: Please read the following carefully before utilizing this form:

1. This order form is to be used to order ♦ Tuscany Cornice Collection ♦ Tropical Collection (9040S & 9040D Cornices) ♦ Burgundy Collection ♦ Mediterranean Collection ♦ Renaissance Collection ♦ Vienna Collection
2. Utilize Special Instructions area to elaborate items that require special processing. Use additional forms/sheets if space is inadequate.

| CUSTOMER INFORMATION | | | | | | | |
|---|--|--------|--|---|--|---|--|
| Company Name: | | | | Page ____ of ____ | | | |
| Ordered By (Name): | | | | Order Date: | | | |
| Side Mark: | | | | Account#: | | | |
| Phone: | | | | PO#: | | | |
| Ship to: | | | | Drawing/Template: Yes: <input type="checkbox"/> No: <input type="checkbox"/> | | | |
| Street: | | | | Order Type: Reg: <input type="checkbox"/> Rush: <input type="checkbox"/> Hot Rush: <input type="checkbox"/> | | | |
| City: | | State: | | Zip: | | Delivery Location: Business: <input type="checkbox"/> Residential: <input type="checkbox"/> | |
| Ship Via: FedEx/UPS Ground: <input type="checkbox"/> 3 Day: <input type="checkbox"/> 2 Day: <input type="checkbox"/> Overnight: <input type="checkbox"/> Truck: <input type="checkbox"/> Will Call: <input type="checkbox"/> Other: | | | | | | | |

TUSCANY CORNICE COLLECTION • TROPICAL COLLECTION (#9040S/9040D)*

| Qty. | Product # | Length (Inches) | Return Projection (Inches) | Wood Duster Yes/No | Return Only Left / Right (Where Applicable) | Finish | | Room |
|------|-----------|-----------------|----------------------------|--------------------|---|--------|--------|------|
| | | | | | | Name | Number | |
| | | | | | | | | |
| | | | | | | | | |
| | | | | | | | | |

Special Instructions:

BURGUNDY COLLECTION / ROD WITH RETURN (#264/7007)

| Qty. | Product # | Template Yes/No | Rod Dia. (Inches) | Rod Length (In.) (Not Including Finials) | Return Projection (Rod with Return #264 & #7007) | Finish | | Room |
|------|-----------|-----------------|-------------------|--|--|--------|--------|------|
| | | | | | | Name | Number | |
| | | | | | | | | |
| | | | | | | | | |
| | | | | | | | | |

Special Instructions:

MEDITERRANEAN COLLECTION • RENAISSANCE COLLECTION

| Qty. | Product # | Renaissance | | Return Only Left / Right (Where Applicable) | Mounting Plate Type | Finish | | Room |
|------|-----------|-----------------|--------------------|---|---------------------|--------|--------|------|
| | | Length (Inches) | Return Proj. (In.) | | | Name | Number | |
| | | | | | | | | |
| | | | | | | | | |
| | | | | | | | | |

Special Instructions:

VIENNA COLLECTION

| Qty. | Product # | Length (Inches) (Tip to Tip) | Left / Right (Where Applicable) | Proj. (3" or 6") | Knobs (Front or Back Includes 5) | Addl Knobs | Finish | | Room |
|------|-----------|------------------------------|---------------------------------|------------------|----------------------------------|------------|--------|--------|------|
| | | | | | | | Name | Number | |
| | | | | | | | | | |
| | | | | | | | | | |
| | | | | | | | | | |

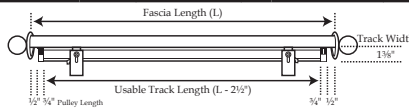
Special Instructions:

*Note: If used with traversing, please give ordering details with the Manual Traversing or Traversing with Somfy Motorization order forms.

MANUAL TRAVERSING ORDER FORM

Designers' Choice Traversing, Deco Lite Traversing, Tuscany Traversing, Tuscany Collection Cornices, and Tropical Collection Cornices

| CUSTOMER INFORMATION | | | | | | | |
|---|--|--|--------|--|---|--|---|
| Company Name: | | | | | Page ____ of ____ | | |
| Ordered By (Name): | | | | | Order Date: | | |
| Side Mark: | | | | | Account#: | | |
| Phone: | | | | | PO#: | | |
| Ship to: | | | | | Drawing/Template: Yes: <input type="checkbox"/> No: <input type="checkbox"/> | | |
| Street: | | | | | Order Type: Reg: <input type="checkbox"/> Rush: <input type="checkbox"/> Hot Rush: <input type="checkbox"/> | | |
| City: | | | State: | | Zip: | | Delivery Location: Business: <input type="checkbox"/> Residential: <input type="checkbox"/> |
| Ship Via: FedEx/UPS Ground: <input type="checkbox"/> 3 Day: <input type="checkbox"/> 2 Day: <input type="checkbox"/> Overnight: <input type="checkbox"/> Truck: <input type="checkbox"/> Will Call: <input type="checkbox"/> Other: _____ | | | | | | | |



***Measurement Guidelines**

- Please specify fascia length when ordering.
- Usable track length will be 2 1/4" shorter than fascia length. (L - 2 1/4")

Total Number of Rod Sets Ordered on this PO: _____

| 1. | Qty | Set# | Rod Dia. (Inches) | Fascia Design (Deco Lite or Tuscany) | Fascia Length* (Inches) (Not Including Finials) | Usable Track Length* (Fascia Length - 2 1/4") | Track Finish | Back Rod For Double Set | | | | | | |
|----|---|------|---|--------------------------------------|---|---|---|---|---|--|--|--|------------|--|
| | | | | | | | | <input type="checkbox"/> Ant. Bronze <input type="checkbox"/> Black <input type="checkbox"/> Gold <input type="checkbox"/> Silver <input type="checkbox"/> White | <input type="checkbox"/> Track & Fascia <input type="checkbox"/> Track Only | | | | | |
| | Type of Draw | | Opening | | Cord Drop | | Cord Length | | Drapery Heading | | | | | |
| | <input type="checkbox"/> Cord <input type="checkbox"/> Baton _____ " # _____ Qty _____ | | <input type="checkbox"/> Left Stack <input type="checkbox"/> Right Stack <input type="checkbox"/> Center Open | | <input type="checkbox"/> Left <input type="checkbox"/> Right | | <input type="checkbox"/> Standard (8 Feet) <input type="checkbox"/> Other: _____ " | | <input type="checkbox"/> Pinch Pleat <input type="checkbox"/> RippleFold Master Type <input type="checkbox"/> 60% <input type="checkbox"/> 80% <input type="checkbox"/> Butt <input type="checkbox"/> 100% <input type="checkbox"/> 120% <input type="checkbox"/> Overlap | | | | | |
| | Front Track Rings | | Ring or Glide Quantity | | Mounting Bracket | | Bracket Projection (For Single Sets Only) | | Additional Support Brackets | | Finial # or Miter Return Projection | | Set Finish | |
| | <input type="checkbox"/> No Rings <input type="checkbox"/> Ring#: _____ | | <input type="checkbox"/> 4 Per Ft (Std.) <input type="checkbox"/> Other Qty: _____ (Total) | | <input type="checkbox"/> Wall <input type="checkbox"/> Ceiling | | <input type="checkbox"/> 3 1/2" to 4 1/2" <input type="checkbox"/> 6" to 7" | | Qty: _____ Bracket#: _____ | | <input type="checkbox"/> 3 1/2" <input type="checkbox"/> 4 1/2" <input type="checkbox"/> 6" <input type="checkbox"/> 7" | | | |

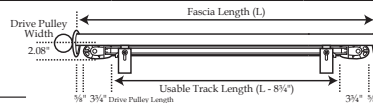
| 2. | Qty | Set# | Rod Dia. (Inches) | Fascia Design (Deco Lite or Tuscany) | Fascia Length* (Inches) (Not Including Finials) | Usable Track Length* (Fascia Length - 2 1/4") | Track Finish | Back Rod For Double Set | | | | | | |
|----|---|------|---|--------------------------------------|---|---|---|---|---|--|--|--|------------|--|
| | | | | | | | | <input type="checkbox"/> Ant. Bronze <input type="checkbox"/> Black <input type="checkbox"/> Gold <input type="checkbox"/> Silver <input type="checkbox"/> White | <input type="checkbox"/> Track & Fascia <input type="checkbox"/> Track Only | | | | | |
| | Type of Draw | | Opening | | Cord Drop | | Cord Length | | Drapery Heading | | | | | |
| | <input type="checkbox"/> Cord <input type="checkbox"/> Baton _____ " # _____ Qty _____ | | <input type="checkbox"/> Left Stack <input type="checkbox"/> Right Stack <input type="checkbox"/> Center Open | | <input type="checkbox"/> Left <input type="checkbox"/> Right | | <input type="checkbox"/> Standard (8 Feet) <input type="checkbox"/> Other: _____ " | | <input type="checkbox"/> Pinch Pleat <input type="checkbox"/> RippleFold Master Type <input type="checkbox"/> 60% <input type="checkbox"/> 80% <input type="checkbox"/> Butt <input type="checkbox"/> 100% <input type="checkbox"/> 120% <input type="checkbox"/> Overlap | | | | | |
| | Front Track Rings | | Ring or Glide Quantity | | Mounting Bracket | | Bracket Projection (For Single Sets Only) | | Additional Support Brackets | | Finial # or Miter Return Projection | | Set Finish | |
| | <input type="checkbox"/> No Rings <input type="checkbox"/> Ring#: _____ | | <input type="checkbox"/> 4 Per Ft (Std.) <input type="checkbox"/> Other Qty: _____ (Total) | | <input type="checkbox"/> Wall <input type="checkbox"/> Ceiling | | <input type="checkbox"/> 3 1/2" to 4 1/2" <input type="checkbox"/> 6" to 7" | | Qty: _____ Bracket#: _____ | | <input type="checkbox"/> 3 1/2" <input type="checkbox"/> 4 1/2" <input type="checkbox"/> 6" <input type="checkbox"/> 7" | | | |

Notes: _____

TRAVERSING WITH SOMFY MOTORIZATION ORDER FORM

Designers' Choice Traversing, Deco Lite Traversing, Tuscany Traversing, Tuscany Collection Cornices, and Tropical Collection Cornices

| CUSTOMER INFORMATION | | | | | | | |
|--|--|--------|--|---|--|---|--|
| Company Name: | | | | Page ____ of ____ | | | |
| Ordered By (Name): | | | | Order Date: | | | |
| Side Mark: | | | | Account#: | | | |
| Phone: | | | | PO#: | | | |
| Ship to: | | | | Drawing/Template: Yes: <input type="checkbox"/> No: <input type="checkbox"/> | | | |
| Street: | | | | Order Type: Reg: <input type="checkbox"/> Rush: <input type="checkbox"/> Hot Rush: <input type="checkbox"/> | | | |
| City: | | State: | | Zip: | | Delivery Location: Business: <input type="checkbox"/> Residential: <input type="checkbox"/> | |
| Ship Via: FedEx/UPS Ground: <input type="checkbox"/> 3 Day: <input type="checkbox"/> 2 Day: <input type="checkbox"/> Overnight: <input type="checkbox"/> Truck: <input type="checkbox"/> Will Call: <input type="checkbox"/> Other: <input type="checkbox"/> | | | | | | | |



***Measurement Guidelines**

- Please specify fascia length when ordering.
- Usable track length will be 8 1/2" shorter than fascia length. (L - 8 1/2")

Total Number of Rod Sets Ordered on this PO: _____

| Qty | Set# | Rod Dia. (Inches) | Fascia Design (Deco Lite or Tuscany) | Fascia Length* (Inches) (Not Including Finials) | Usable Track Length* (Fascia Length - 8 1/2") | Track Finish | | Back Rod For Double Set | |
|---|---|--|---|---|---|--|--|---|---|
| | | | | | | <input type="checkbox"/> Ant. Bronze | <input type="checkbox"/> Black | | <input type="checkbox"/> Track & Fascia |
| | | | | | | <input type="checkbox"/> Gold | <input type="checkbox"/> Silver | <input type="checkbox"/> White | <input type="checkbox"/> Track Only |
| 1. | Opening | | Motor | Placement | Drapery Heading | | Front Track Rings | Ring or Glide Qty | |
| | <input type="checkbox"/> Left Stack <input type="checkbox"/> Right Stack <input type="checkbox"/> Center Open | | | <input type="checkbox"/> Left <input type="checkbox"/> Right | <input type="checkbox"/> Pinch Pleat <input type="checkbox"/> RippleFold <input type="checkbox"/> 80% <input type="checkbox"/> 100% <input type="checkbox"/> 120% <input type="checkbox"/> Overlap | | <input type="checkbox"/> No Rings <input type="checkbox"/> Ring#: _____ | <input type="checkbox"/> 4 Per Ft (Std.) <input type="checkbox"/> Other Qty: _____ (Total) | |
| | Mounting Bracket | | Bracket Projection (For Single Sets Only) | | Additional Support Brackets | | Finial # or Miter Return Projection | | Set Finish |
| <input type="checkbox"/> Wall Mount <input type="checkbox"/> Ceiling Mount | | <input type="checkbox"/> 3 1/2" to 4 1/2" <input type="checkbox"/> 6" to 7" | | Qty: _____ Bracket#: _____ | | <input type="checkbox"/> 3 1/2" <input type="checkbox"/> 4 1/2" <input type="checkbox"/> 6" <input type="checkbox"/> 7" | | | |

| Qty | Set# | Rod Dia. (Inches) | Fascia Design (Deco Lite or Tuscany) | Fascia Length* (Inches) (Not Including Finials) | Usable Track Length* (Fascia Length - 8 1/2") | Track Finish | | Back Rod For Double Set | |
|---|---|--|---|---|---|--|--|---|---|
| | | | | | | <input type="checkbox"/> Ant. Bronze | <input type="checkbox"/> Black | | <input type="checkbox"/> Track & Fascia |
| | | | | | | <input type="checkbox"/> Gold | <input type="checkbox"/> Silver | <input type="checkbox"/> White | <input type="checkbox"/> Track Only |
| 2. | Opening | | Motor | Placement | Drapery Heading | | Front Track Rings | Ring or Glide Qty | |
| | <input type="checkbox"/> Left Stack <input type="checkbox"/> Right Stack <input type="checkbox"/> Center Open | | | <input type="checkbox"/> Left <input type="checkbox"/> Right | <input type="checkbox"/> Pinch Pleat <input type="checkbox"/> RippleFold <input type="checkbox"/> 80% <input type="checkbox"/> 100% <input type="checkbox"/> 120% <input type="checkbox"/> Overlap | | <input type="checkbox"/> No Rings <input type="checkbox"/> Ring#: _____ | <input type="checkbox"/> 4 Per Ft (Std.) <input type="checkbox"/> Other Qty: _____ (Total) | |
| | Mounting Bracket | | Bracket Projection (For Single Sets Only) | | Additional Support Brackets | | Finial # or Miter Return Projection | | Set Finish |
| <input type="checkbox"/> Wall Mount <input type="checkbox"/> Ceiling Mount | | <input type="checkbox"/> 3 1/2" to 4 1/2" <input type="checkbox"/> 6" to 7" | | Qty: _____ Bracket#: _____ | | <input type="checkbox"/> 3 1/2" <input type="checkbox"/> 4 1/2" <input type="checkbox"/> 6" <input type="checkbox"/> 7" | | | |

Controls

| Remote | Finish | Qty |
|--|---------------------------------|-----|
| <input type="checkbox"/> Telis 1 RTS | <input type="checkbox"/> Pure | |
| <input type="checkbox"/> Telis 5 RTS | <input type="checkbox"/> Silver | |
| <input type="checkbox"/> Telis 1 Chronis RTS | <input type="checkbox"/> Lounge | |

Additional Accessories

| Switch | Finish | Qty | Product # | Qty | Product # | Qty |
|-------------------------------------|--------------------------------|-----|-----------|-----|-----------|-----|
| <input type="checkbox"/> DecoFlex 1 | <input type="checkbox"/> White | | | | | |
| <input type="checkbox"/> DecoFlex 5 | <input type="checkbox"/> Ivory | | | | | |
| | <input type="checkbox"/> Black | | | | | |

Please specify how we should program your remote or switch. If no specification is made, we will program each track per channel.

Notes: _____



All orders received before 12:00 noon Pacific time will be considered same day orders.

| | | | |
|--|--|--|--|
| Company Name: | | Ship to: | |
| Ordered By (Name): | | Street: | |
| Side Mark: | | City: | |
| Phone: | | State: | |
| Delivery Location: Business: <input type="checkbox"/> Residential: <input type="checkbox"/> | | Ship to Phone (if by Truck): | |
| Ship Via: <input type="checkbox"/> 3 Day: <input type="checkbox"/> 2 Day: <input type="checkbox"/> Overnight: <input type="checkbox"/> Truck: <input type="checkbox"/> Will Call: <input type="checkbox"/> Other: <input type="checkbox"/> | | FedEx/UPS Ground: <input type="checkbox"/> | |

Express It! finishes are shipped in one business day while **Quicken It!** finishes are shipped within 3 business days.

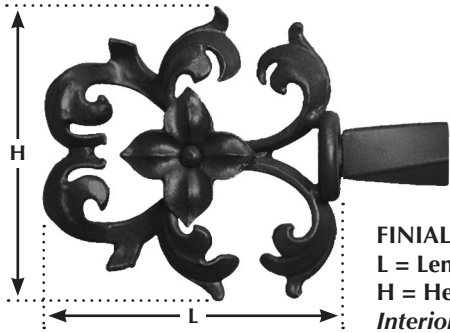
| Rod | Connector* | Finial / End Cap | Ring | Bracket | Xpress Yourway Finish |
|---------------------------------------|------------|---------------------|---------------------|---------------------|--|
| Diameter : Length (Inches) : Quantity | Quantity | Product# : Quantity | Product# : Quantity | Product# : Quantity | Express It! : Quicken It! |
| | | | | | <input type="checkbox"/> BLK <input type="checkbox"/> BRN <input type="checkbox"/> LTBRN <input type="checkbox"/> ANT BRZ <input type="checkbox"/> SPWTR <input type="checkbox"/> LNKL <input type="checkbox"/> PCHR <input type="checkbox"/> BNKL <input type="checkbox"/> ANT GLD <input type="checkbox"/> PWHT <input type="checkbox"/> PNKL <input type="checkbox"/> STGLD |
| | | | | | <input type="checkbox"/> BLK <input type="checkbox"/> BRN <input type="checkbox"/> LTBRN <input type="checkbox"/> ANT BRZ <input type="checkbox"/> SPWTR <input type="checkbox"/> LNKL <input type="checkbox"/> PCHR <input type="checkbox"/> BNKL <input type="checkbox"/> ANT GLD <input type="checkbox"/> PWHT <input type="checkbox"/> PNKL <input type="checkbox"/> STGLD |
| | | | | | <input type="checkbox"/> BLK <input type="checkbox"/> BRN <input type="checkbox"/> LTBRN <input type="checkbox"/> ANT BRZ <input type="checkbox"/> SPWTR <input type="checkbox"/> LNKL <input type="checkbox"/> PCHR <input type="checkbox"/> BNKL <input type="checkbox"/> ANT GLD <input type="checkbox"/> PWHT <input type="checkbox"/> PNKL <input type="checkbox"/> STGLD |

* The maximum length for unspliced rods is 120" for Iron Art™ and 108" for Italian. Rods over 106" that are not specified as one piece will automatically be spliced to save on shipping charges, and a connector charge will be added. Splices are placed in the center unless another location is otherwise noted. Rods over 106" can only be shipped via common carrier (truck line).

| Socket | Xpress Yourway Finish | Tieback | Xpress Yourway Finish | Baton | Xpress Yourway Finish |
|-----------------|---|---|---|-----------------|---|
| Product# : Qty. | Express It! : Quicken It! | Product# : Qty. | Express It! : Quicken It! | Product# : Qty. | Express It! : Quicken It! |
| | <input type="checkbox"/> BLK <input type="checkbox"/> BRN <input type="checkbox"/> ANT BRZ <input type="checkbox"/> SPWTR <input type="checkbox"/> LNKL <input type="checkbox"/> PCHR <input type="checkbox"/> BNKL <input type="checkbox"/> ANT GLD <input type="checkbox"/> PWHT | <input type="checkbox"/> BLK <input type="checkbox"/> BRN <input type="checkbox"/> LNKL <input type="checkbox"/> ANT BRZ <input type="checkbox"/> SPWTR <input type="checkbox"/> LNKL <input type="checkbox"/> PCHR <input type="checkbox"/> BNKL <input type="checkbox"/> ANT GLD <input type="checkbox"/> PWHT | <input type="checkbox"/> BLK <input type="checkbox"/> BRN <input type="checkbox"/> LNKL <input type="checkbox"/> ANT BRZ <input type="checkbox"/> SPWTR <input type="checkbox"/> LNKL <input type="checkbox"/> PCHR <input type="checkbox"/> BNKL <input type="checkbox"/> ANT GLD <input type="checkbox"/> PWHT | | <input type="checkbox"/> BLK <input type="checkbox"/> BRN <input type="checkbox"/> LNKL <input type="checkbox"/> ANT BRZ <input type="checkbox"/> SPWTR <input type="checkbox"/> LNKL <input type="checkbox"/> PCHR <input type="checkbox"/> BNKL <input type="checkbox"/> ANT GLD <input type="checkbox"/> PWHT |
| | <input type="checkbox"/> BLK <input type="checkbox"/> BRN <input type="checkbox"/> ANT BRZ <input type="checkbox"/> SPWTR <input type="checkbox"/> LNKL <input type="checkbox"/> PCHR <input type="checkbox"/> BNKL <input type="checkbox"/> ANT GLD <input type="checkbox"/> PWHT | <input type="checkbox"/> BLK <input type="checkbox"/> BRN <input type="checkbox"/> LNKL <input type="checkbox"/> ANT BRZ <input type="checkbox"/> SPWTR <input type="checkbox"/> LNKL <input type="checkbox"/> PCHR <input type="checkbox"/> BNKL <input type="checkbox"/> ANT GLD <input type="checkbox"/> PWHT | <input type="checkbox"/> BLK <input type="checkbox"/> BRN <input type="checkbox"/> LNKL <input type="checkbox"/> ANT BRZ <input type="checkbox"/> SPWTR <input type="checkbox"/> LNKL <input type="checkbox"/> PCHR <input type="checkbox"/> BNKL <input type="checkbox"/> ANT GLD <input type="checkbox"/> PWHT | | <input type="checkbox"/> BLK <input type="checkbox"/> BRN <input type="checkbox"/> LNKL <input type="checkbox"/> ANT BRZ <input type="checkbox"/> SPWTR <input type="checkbox"/> LNKL <input type="checkbox"/> PCHR <input type="checkbox"/> BNKL <input type="checkbox"/> ANT GLD <input type="checkbox"/> PWHT |
| | <input type="checkbox"/> BLK <input type="checkbox"/> BRN <input type="checkbox"/> ANT BRZ <input type="checkbox"/> SPWTR <input type="checkbox"/> LNKL <input type="checkbox"/> PCHR <input type="checkbox"/> BNKL <input type="checkbox"/> ANT GLD <input type="checkbox"/> PWHT | <input type="checkbox"/> BLK <input type="checkbox"/> BRN <input type="checkbox"/> LNKL <input type="checkbox"/> ANT BRZ <input type="checkbox"/> SPWTR <input type="checkbox"/> LNKL <input type="checkbox"/> PCHR <input type="checkbox"/> BNKL <input type="checkbox"/> ANT GLD <input type="checkbox"/> PWHT | <input type="checkbox"/> BLK <input type="checkbox"/> BRN <input type="checkbox"/> LNKL <input type="checkbox"/> ANT BRZ <input type="checkbox"/> SPWTR <input type="checkbox"/> LNKL <input type="checkbox"/> PCHR <input type="checkbox"/> BNKL <input type="checkbox"/> ANT GLD <input type="checkbox"/> PWHT | | <input type="checkbox"/> BLK <input type="checkbox"/> BRN <input type="checkbox"/> LNKL <input type="checkbox"/> ANT BRZ <input type="checkbox"/> SPWTR <input type="checkbox"/> LNKL <input type="checkbox"/> PCHR <input type="checkbox"/> BNKL <input type="checkbox"/> ANT GLD <input type="checkbox"/> PWHT |

Iron Art Line Finishes : Black (BLK), Brown (BRN), Light Brown (LTBRN), New Nickel (NNKL), Antique Bronze (ANT BRZ), Antique Gold (ANT GLD), Soft Pewter (SPWTR), Pure White (PWHT)
Italian Line Finishes : Polished Chrome (PCHR), Brushed Nickel (BNKL), Polished Nickel (PNKL), Satin Gold (STGLD)

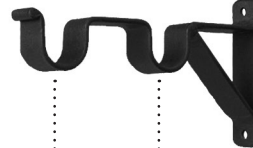
MEASUREMENT GUIDELINES



FINIAL 501
L = Length
H = Height
Interior Fit



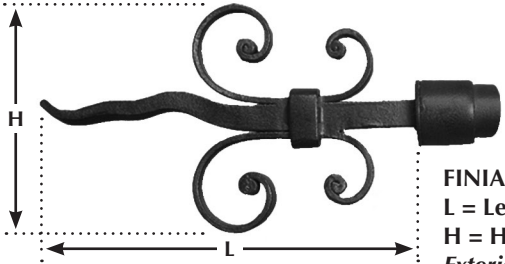
BRACKET 1028-RND
P = Projection



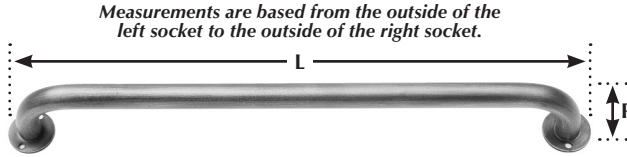
BRACKET 1024DBWS-RND
P = Projection



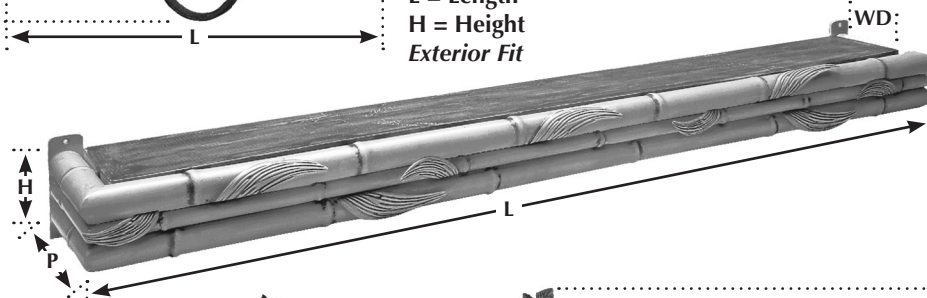
WOOD BRACKET AMERICAN 5045S
P = Projection



FINIAL 991
L = Length
H = Height
Exterior Fit



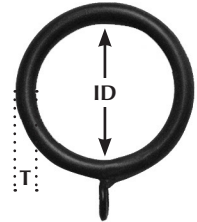
ROD WITH RETURN 264
L = Length
P = Projection



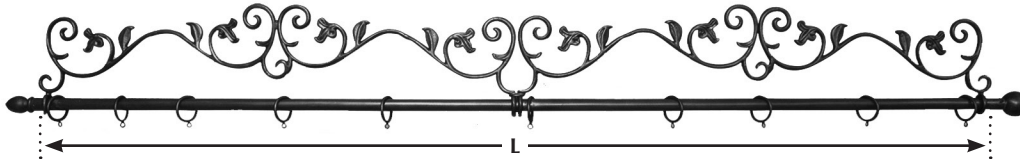
DECORATIVE CORNICE BAMBOO 9040
L = Length
H = Height
P = Projection
WD = Wood Duster



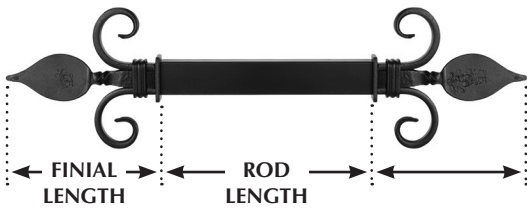
DECORATIVE ROD 254 H = Height • D = Diameter



RING 350
ID = Internal Diameter
T = Thickness

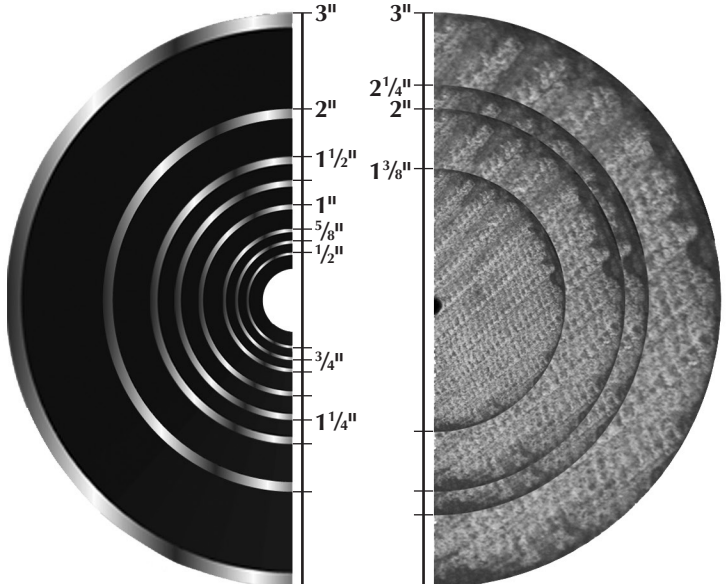


DECORATIVE ROD 280 L = Length



DECORATIVE SCROLL 267
L = Overall Length
LH = Length of Head
HH = Height of Head

IRON ROD AND WOOD POLE DIAMETERS



NOTES

A series of horizontal dotted lines for writing notes.

Iron Art™ by ORION

YOUR ORDER GETS US STARTED.

You choose the hardware, and then select from any of our 36 Iron Art™ finishes, 13 Italian Collection finishes, 6 Tropical Collection finishes, 11 Wood Art finishes or create your own custom color. We hand-make each order to your exact, individual specifications every time.



Made in USA

From design concept, to final and rod styles including manual and motorized traversing, to the final hand-painting, Orion products are hand-made just for you by our master artisans right here in the USA.

Celebrate Your Creativity

From elegantly simple to exquisitely detailed, customization is our specialty. Orion is your gateway to hand crafted, exclusive decorative drapery hardware collections. Whether you are a traditionalist or contemporary is your design vibe, our craftsmen turn your ideas and specifications into reality. Whatever your material of choice - iron, wood, metal, acrylic or crystal- expect innovative, high quality drapery hardware products to-the-trade.



"Our world revolves around you!"

Your complete delight in our products and service, from start to finish, is our single most important goal. We say, "Our world revolves around you." – and we mean it. That's why we always ask for your feedback. We know we are only practically perfect, but we keep trying. Please review our products and services at <https://www.ironartbyorion.com/support-feedback>



We believe in making a difference. As part of our sustainable vision, we created Orion Green to support organizations involved in efforts for a better and ecologically healthier planet. That's why we offer you a chance to join us in support of these causes. As an Orion Green member, \$1.00 will be added to each of your invoices as your donation to this program. Orion will match \$1 toward Earth Island Institute. Plus, for every Orion Order Form received digitally in 2024, we will also donate \$1 to Earth Island Institute <https://www.earthisland.org>



ORION

ORNAMENTAL IRON, INC.



March 2024 Reprint



Made in USA

