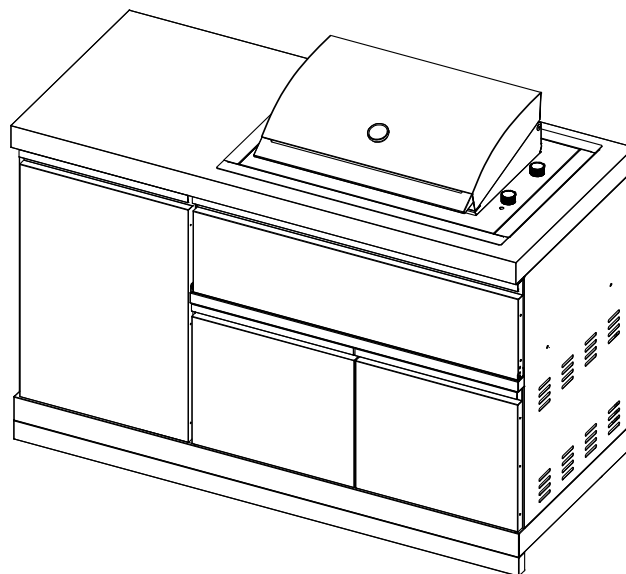
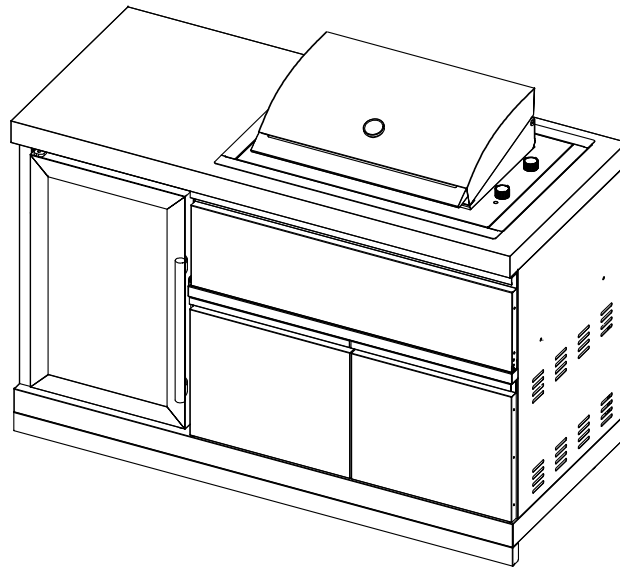




# CROSSRAY KITCHEN PRODUCT INSTALLATION MANUAL



[crossray.com.au](http://crossray.com.au) | 03 9562 3455 | [sales@crossray.com.au](mailto:sales@crossray.com.au)

Revision, 14/04/2022

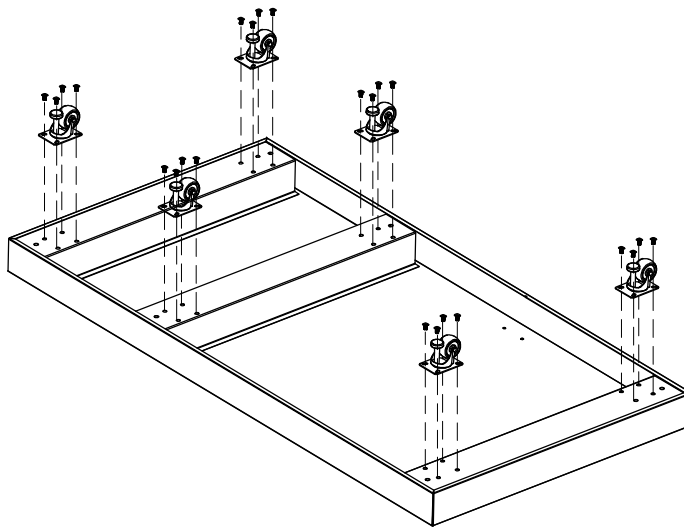
## ASSEMBLY - Side Cabinets

### 1 Install Casters.



Phillips Head Screw 3/16"x3/8"

Qty.24

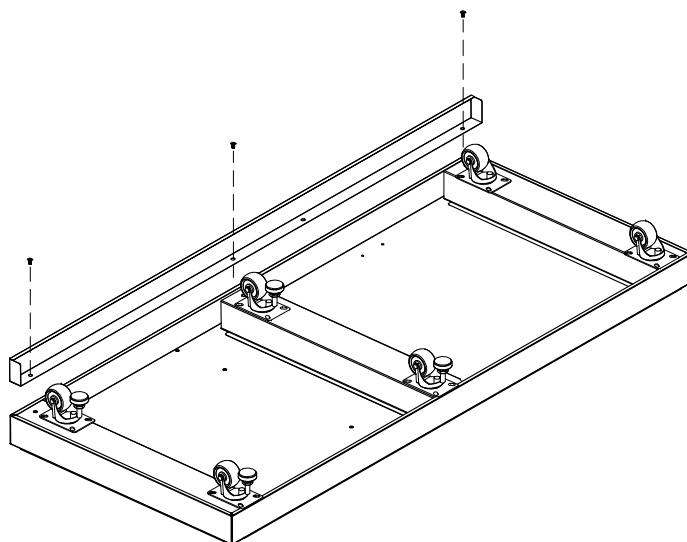


### 2 Install kickboard panel.



Phillips Head Screw 3/16"x3/8"

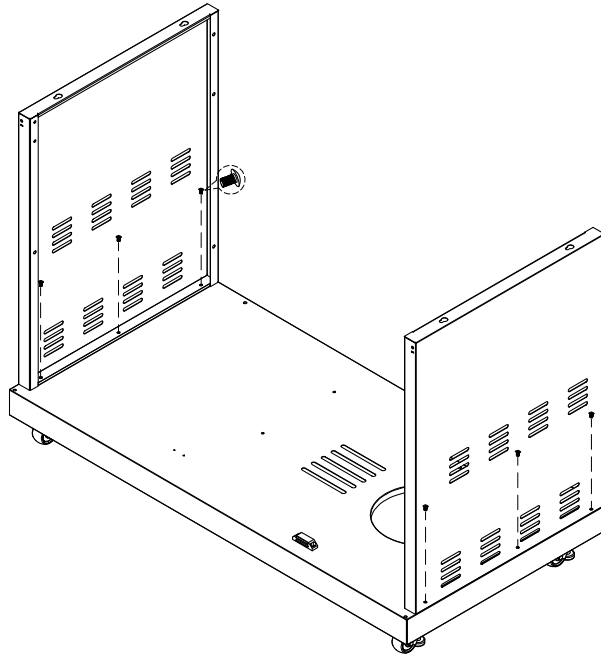
Qty.3



**3** Install Trolley side panels.



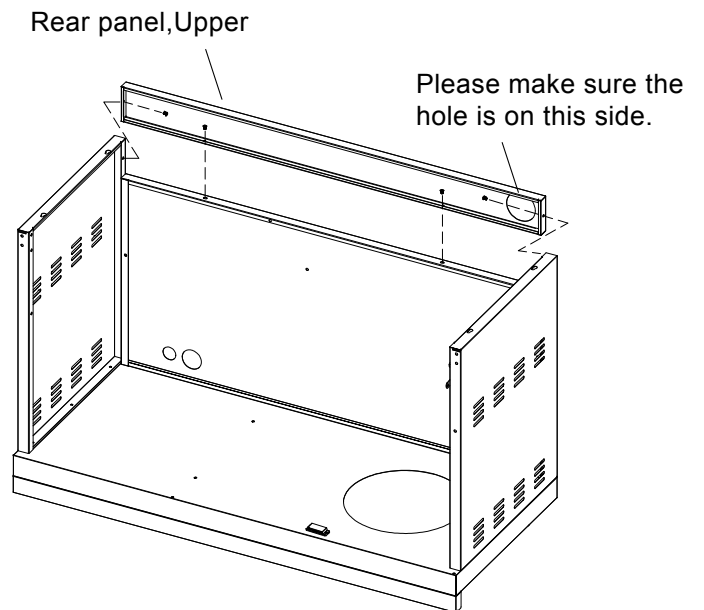
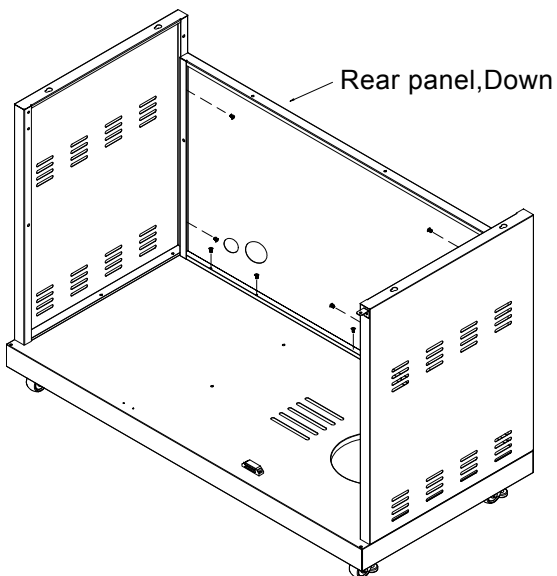
Phillips Head Screw 3/16"x3/8"  
Qty.6



**4** Install Trolley Rear panel.



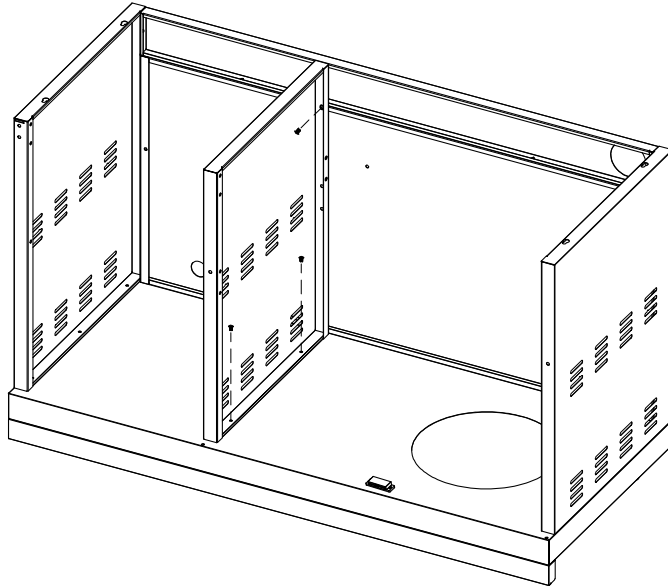
Phillips Head Screw 3/16"x3/8"  
Qty.12



**5** Install Trolley Middle panel.



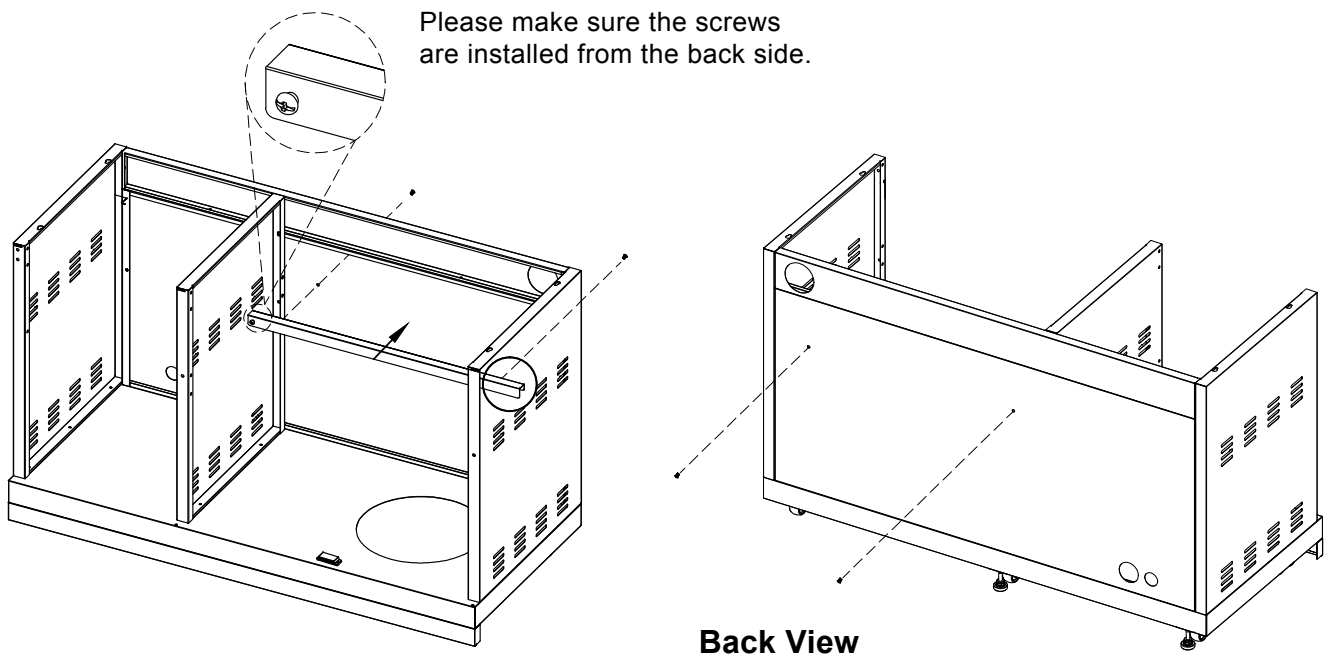
Phillips Head Screw 3/16"x3/8"  
Qty.3



**6** Install AGA Panel Rear L Bracket



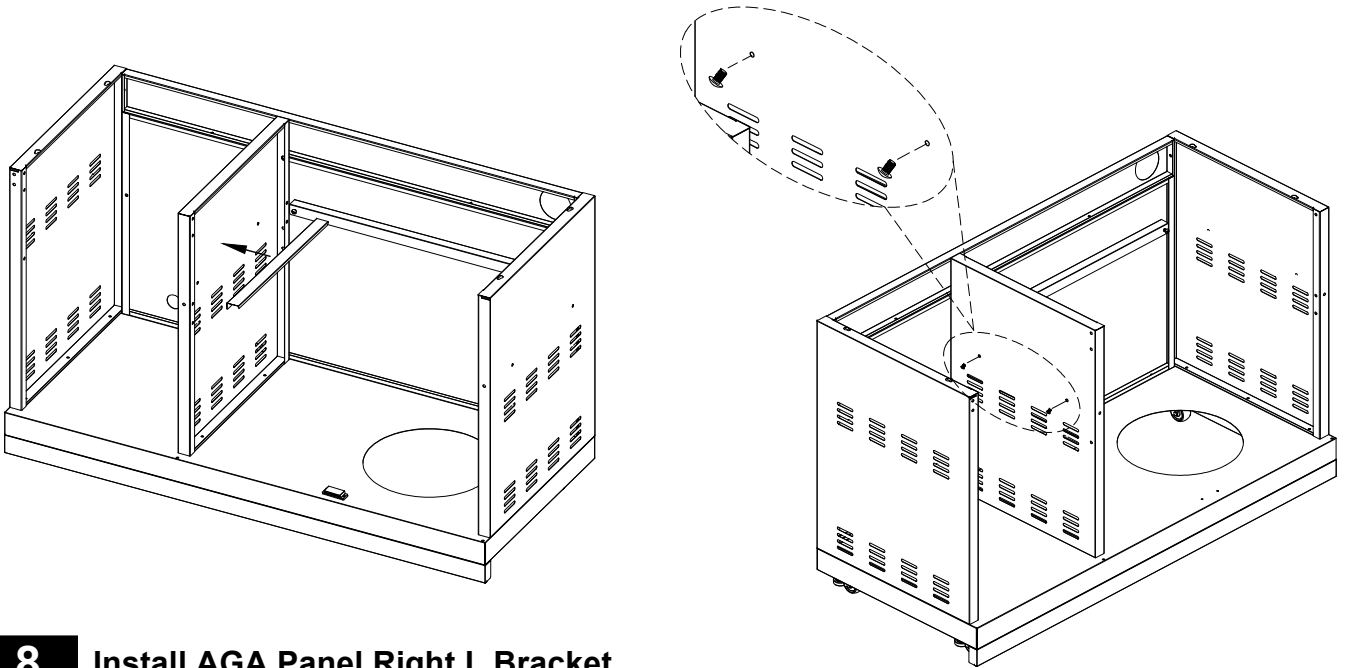
Phillips Head Screw 3/16"x3/8"  
Qty.2



**7** Install AGA Panel Left L Bracket.



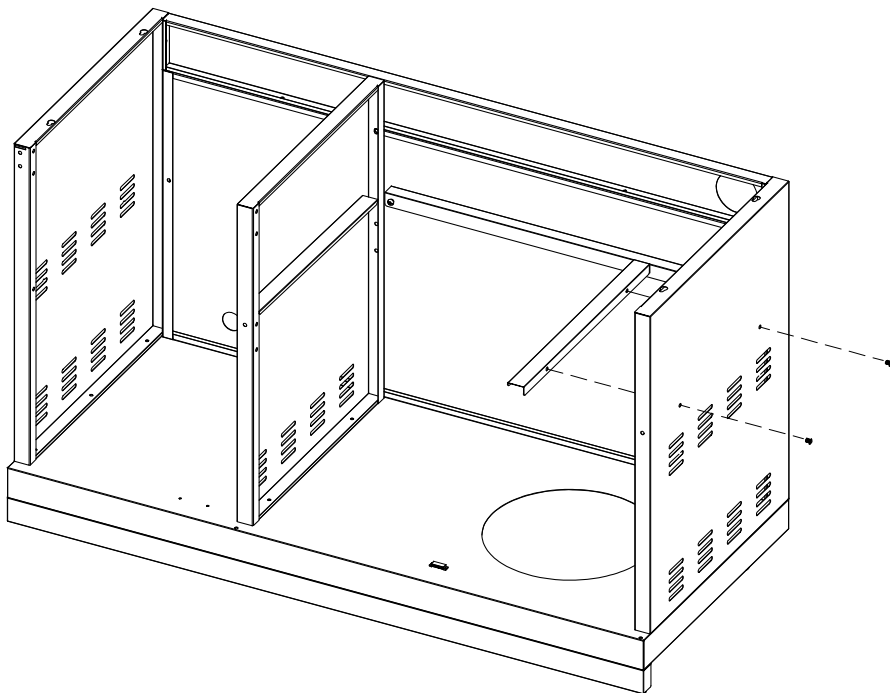
Phillips Head Screw 3/16"x3/8"  
Qty.2



**8** Install AGA Panel Right L Bracket.



Phillips Head Screw 3/16"x3/8"  
Qty.2



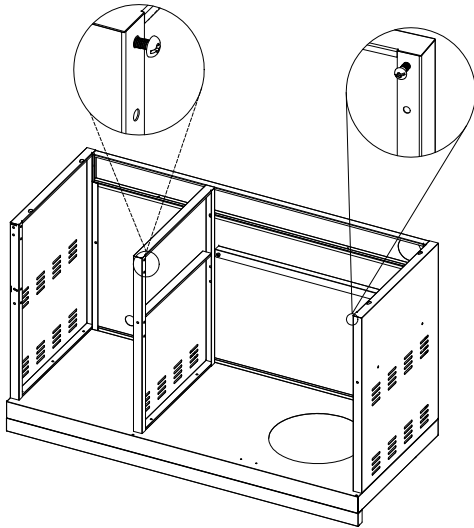
# 9

## Install Door Bracket.

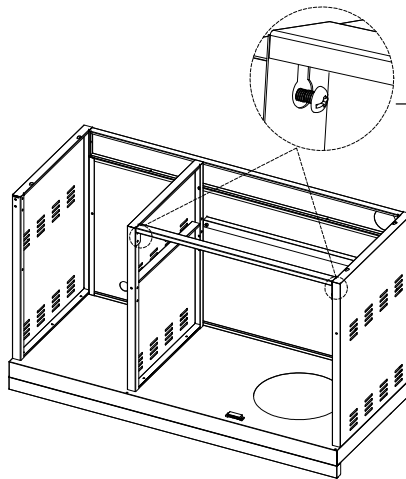


Phillips Head Screw 3/16"x3/8"  
Qty.2

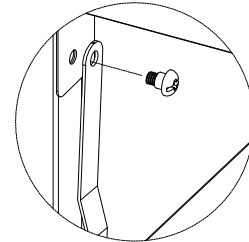
1. Partially install the screws, but not to tight up.



2. Put the door bracket onto the trolley, and tighten up the screws.



Please make sure the lower holes are aligned, but don't put on the screw yet onto the lower holes.

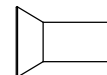


Secure the two lower screws at step 15 (P.10)

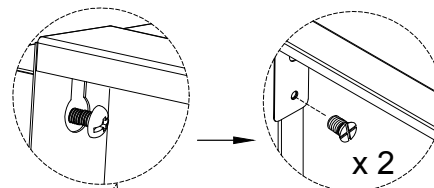
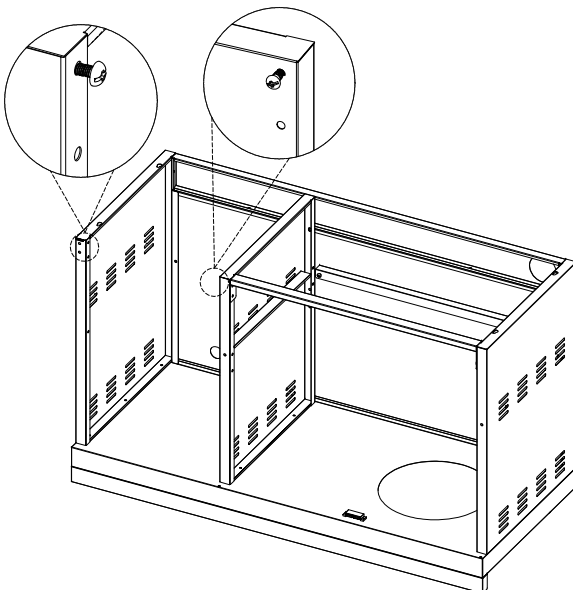
3. Partially install the screws, but not to tight up.



Phillips Head Screw 3/16"x3/8"  
Qty.2



Countersunk flat head screws 3/16" x 1/2"  
Qty. 2



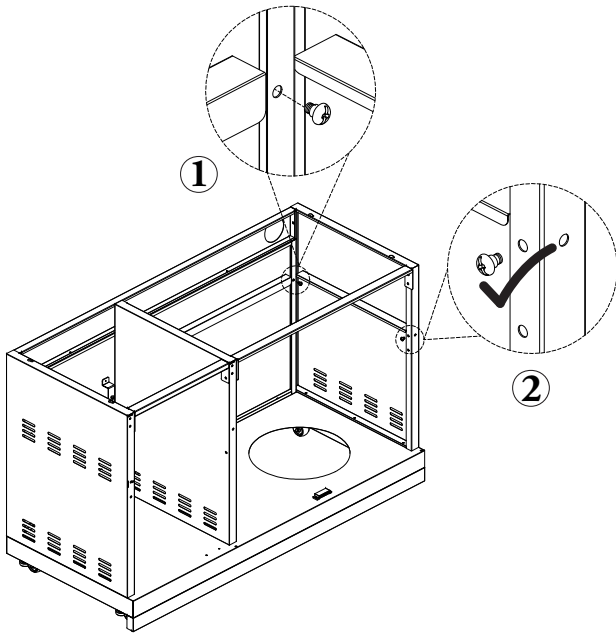
Put the door bracket onto the trolley, and tighten up the screws.

## 10 Install middle panel.

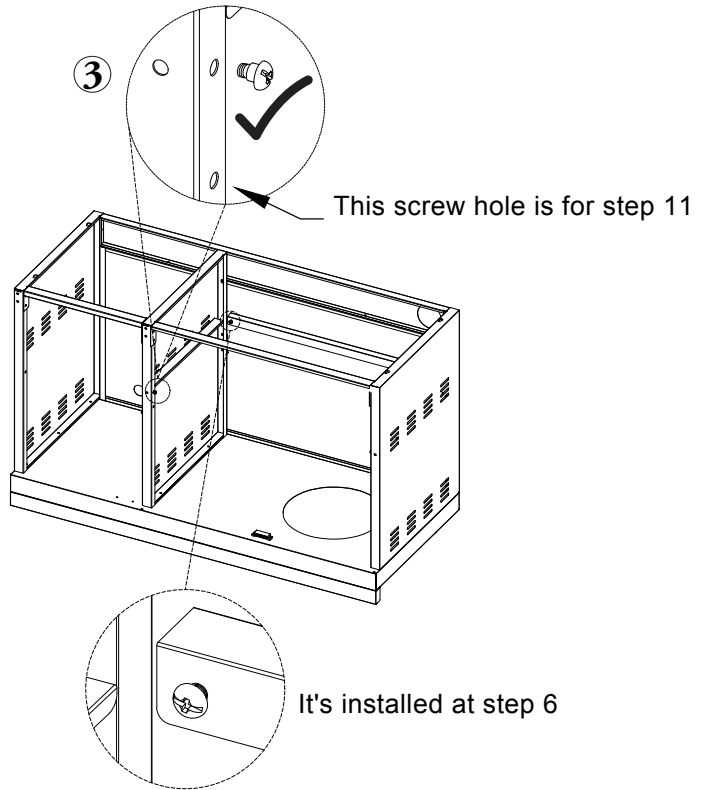


Double screw 3/16"x3/8"  
Qty.3

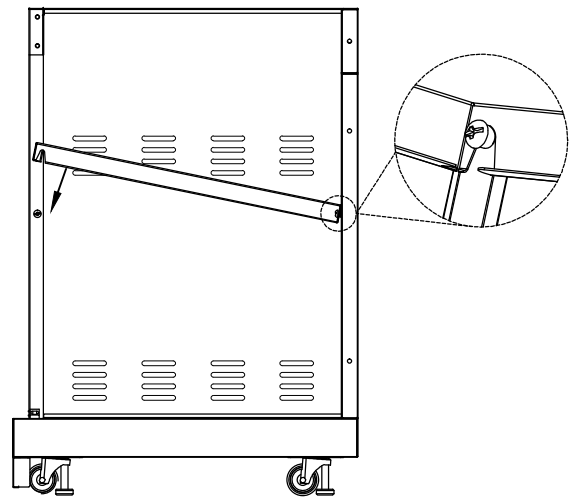
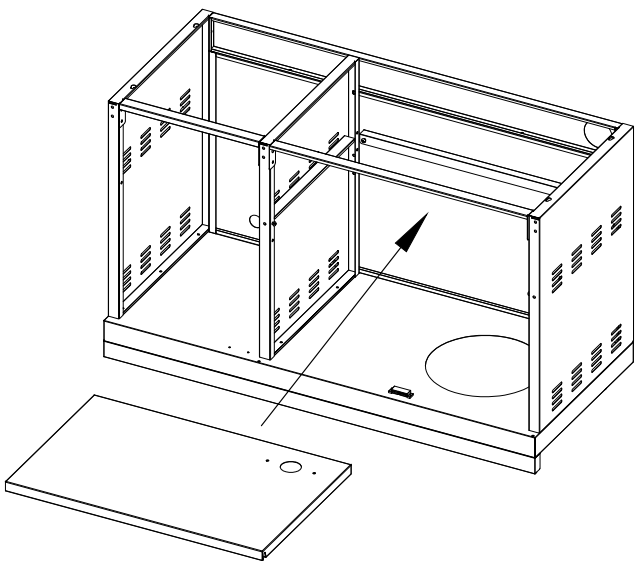
1. Install the screws.



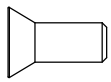
Secure the upper hole with a screw when you install the middle panel.



2. Slide in the middle panel.



**11** Install Right Door Bracket.



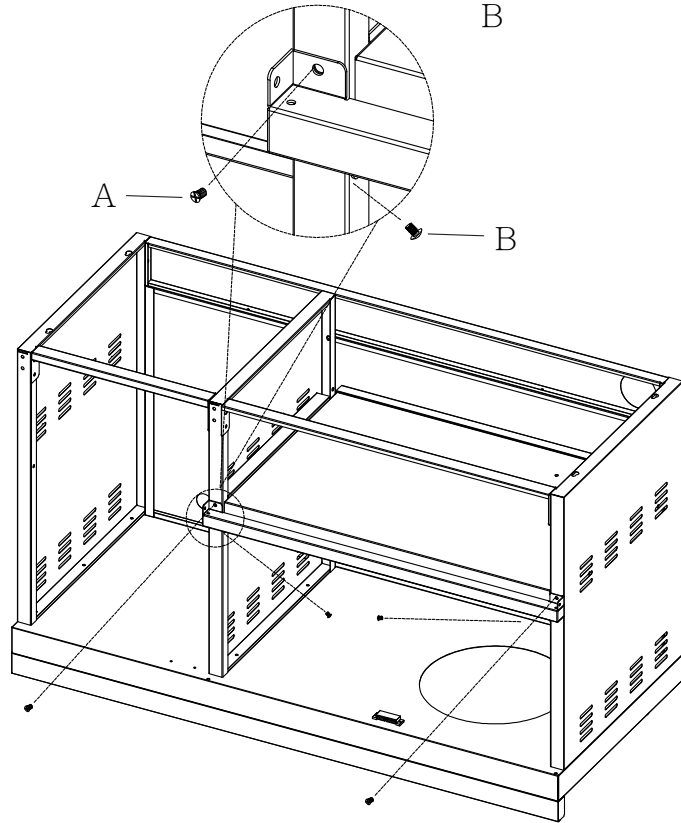
Countersunk flat head screws 3/16" x 1/2"  
Qty. 2

A

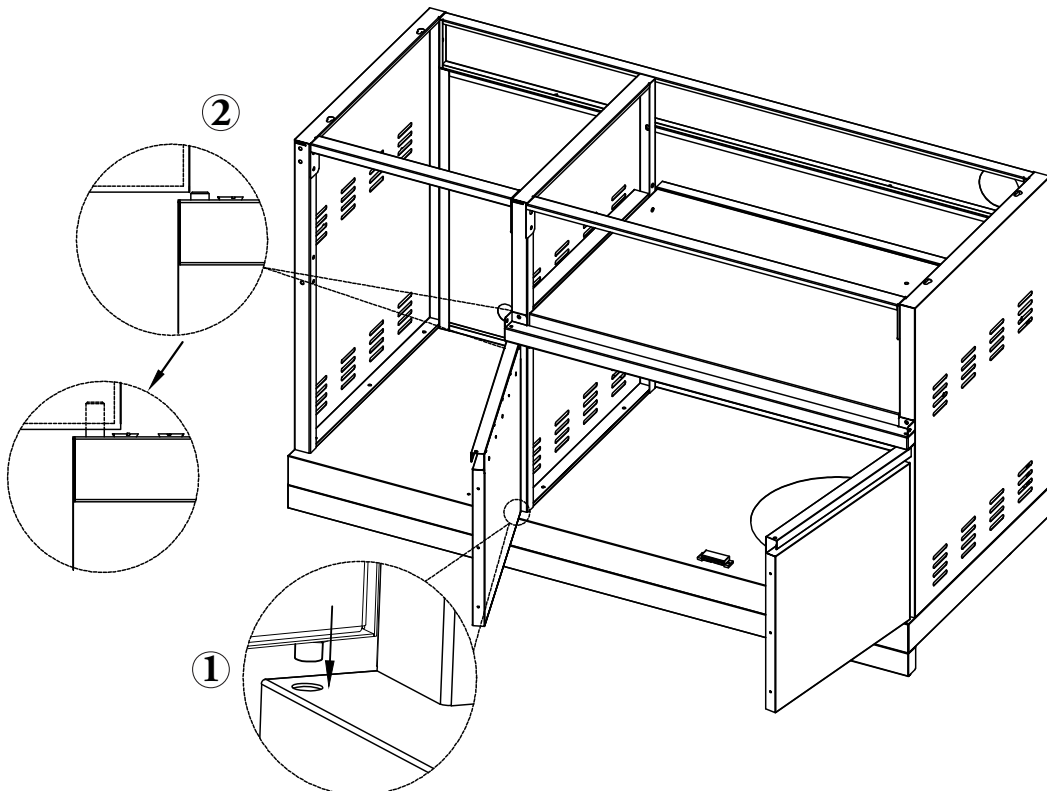


Phillips Head Screw 3/16"x3/8"  
Qty.2

B

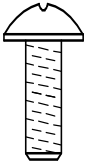


**12** Install Right Bottom Front Doors.



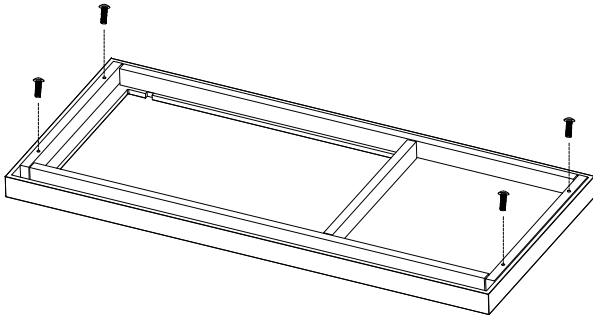


## 13 Install countertop.



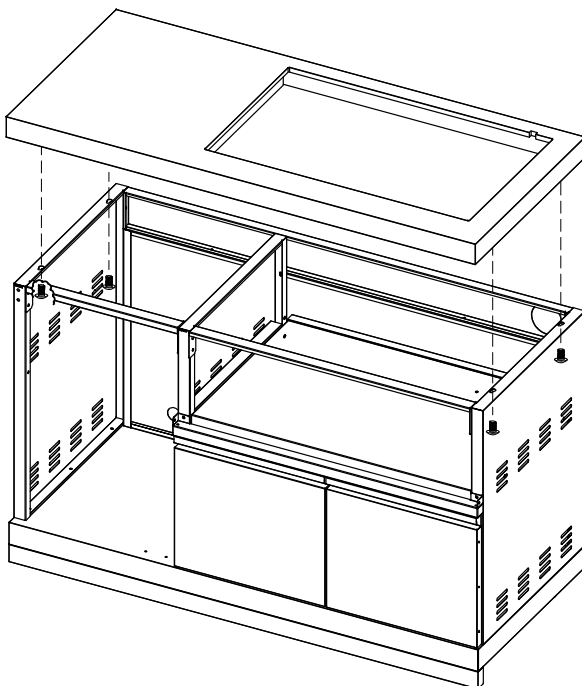
Phillips Head Screw 1/4X5/8  
Qty.4

1. Pre-install the screws partially on the underside of the benchtop  
(Do not tighten to the end).

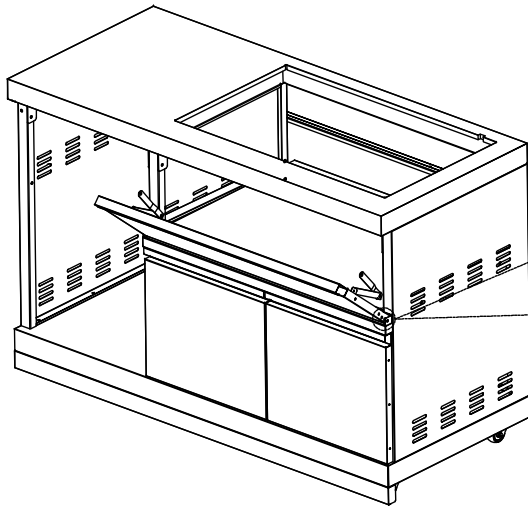


**The Cabinet assembly is still flexible prior to fitting the benchtop, so it is very important to check the doors are properly aligned and level prior to fitting the stone top.**

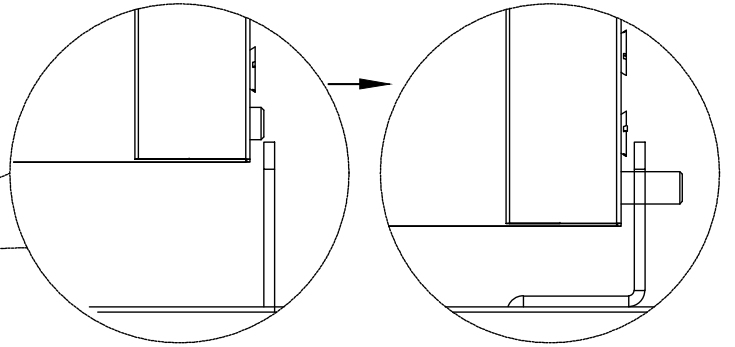
2. Position the pre-installed Screws on the cabinet (Handle with care) .



## 14 Install Right Upper Front Door

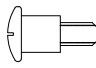


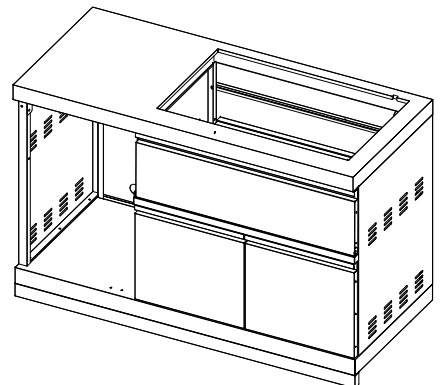
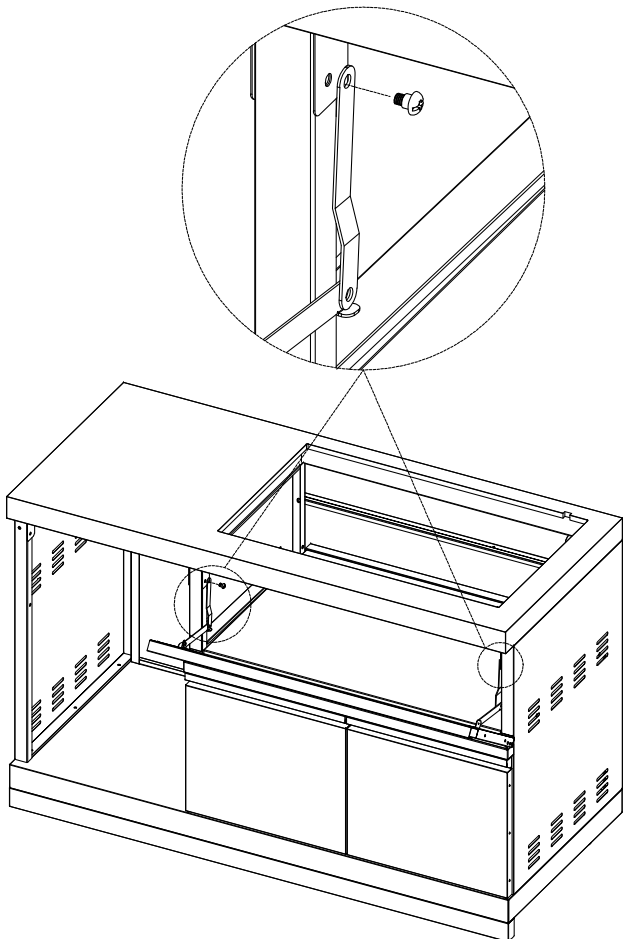
1. Install the door by putting on the spring pin onto the bracket.



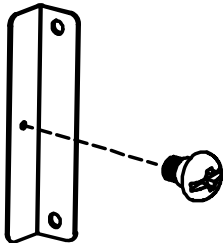
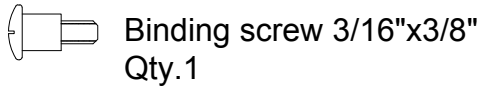
Follow the same step for the other side.

## 15 Install Right Upper Front Door Foldable Bracket.

-  Double screw 3/16"x3/8"  
Qty.2

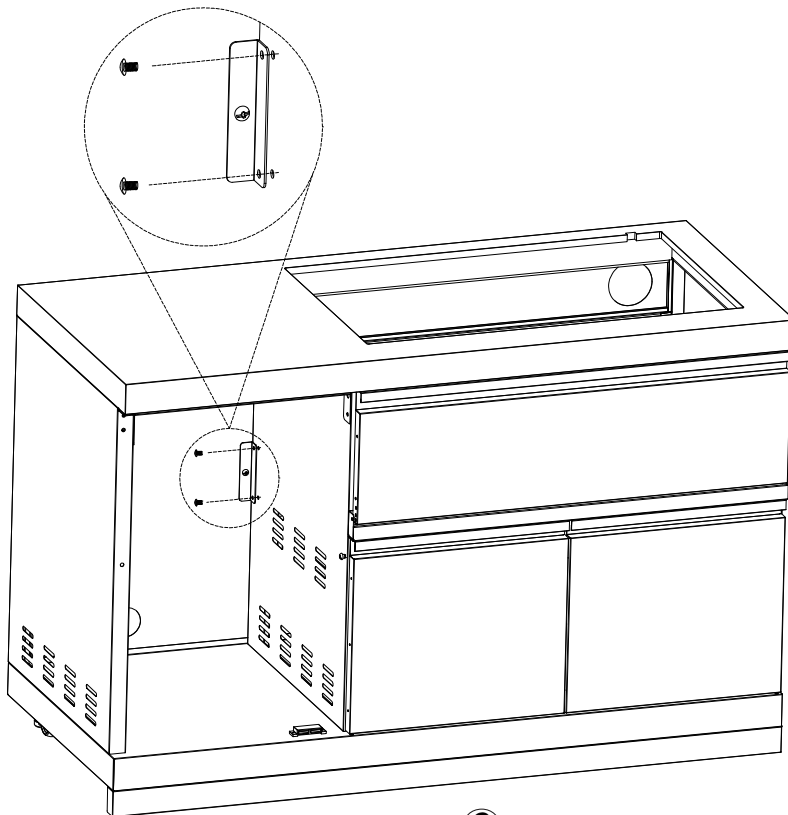
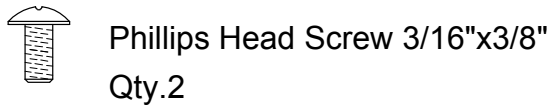


**1** Install Shelf Bracket



1. Install the binding screw on the bracket first.

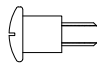
①

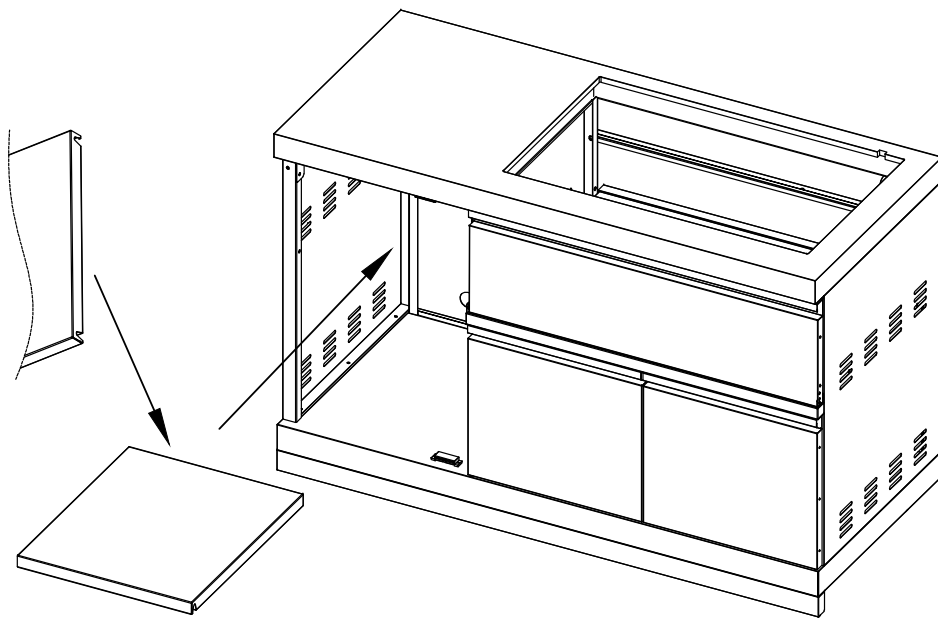
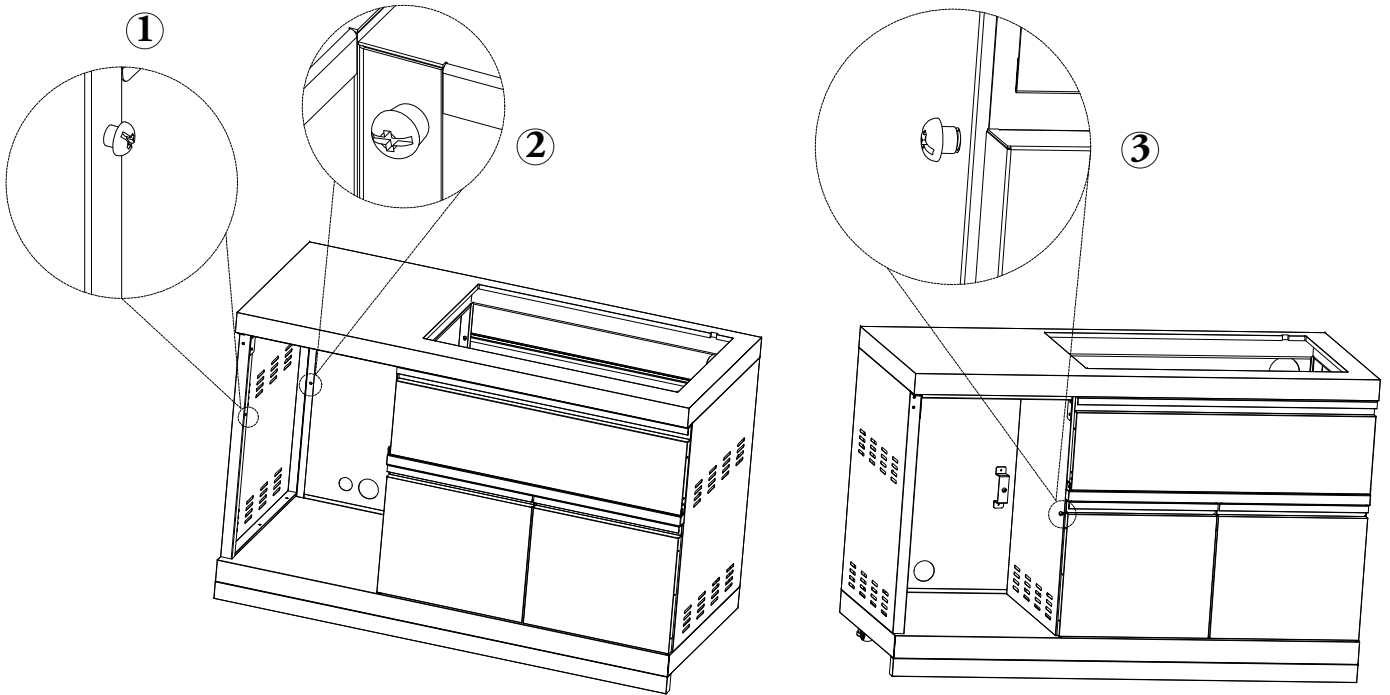


②

2. Secure bracket and middle panel with screws.

## 2 Install the Screws.

 Binding screw 3/16"x3/8"  
Qty.3

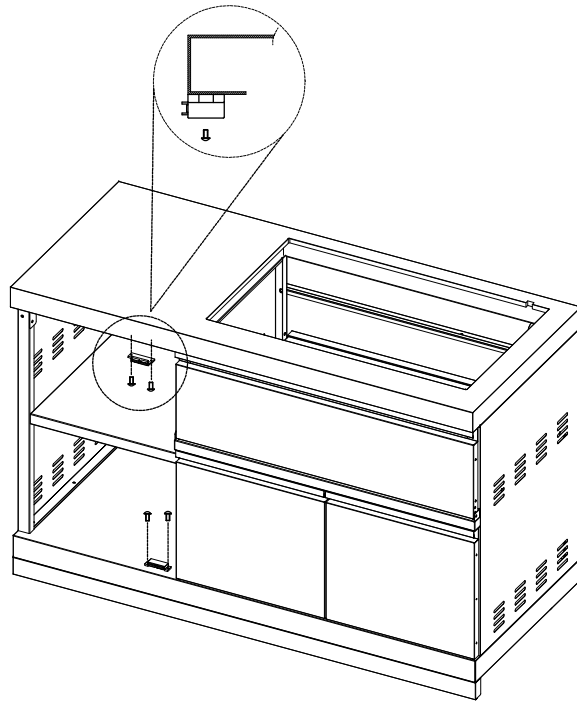


Place shelf onto the cabinet (follow the correct direction).

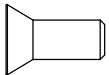
### 3 Install Magnets.



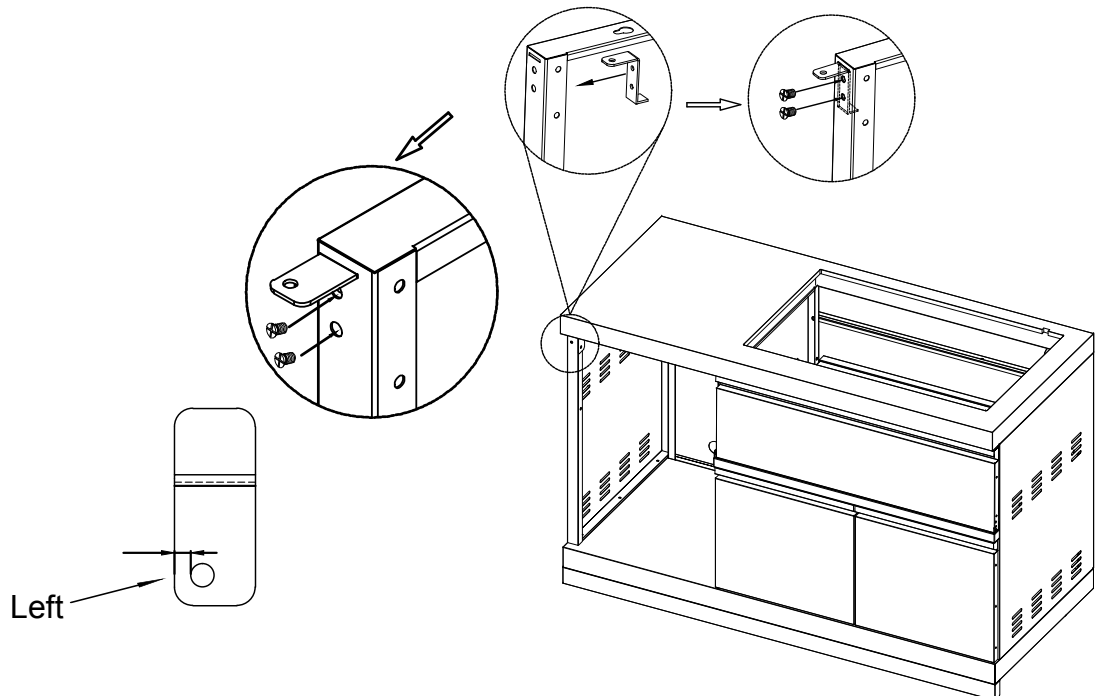
Phillips Head Screw M4 x 12  
Qty.4



### 4 Install door Bracket.



Countersunk flat head  
screws 3/16" x 1/2"  
Qty. 2



#### NOTE

The bracket mounting holes are OFF centre.  
Ensure the correct bracket is used for the corresponding side.  
Right hand bracket-right side panel.  
Left hand bracket – left side panel.

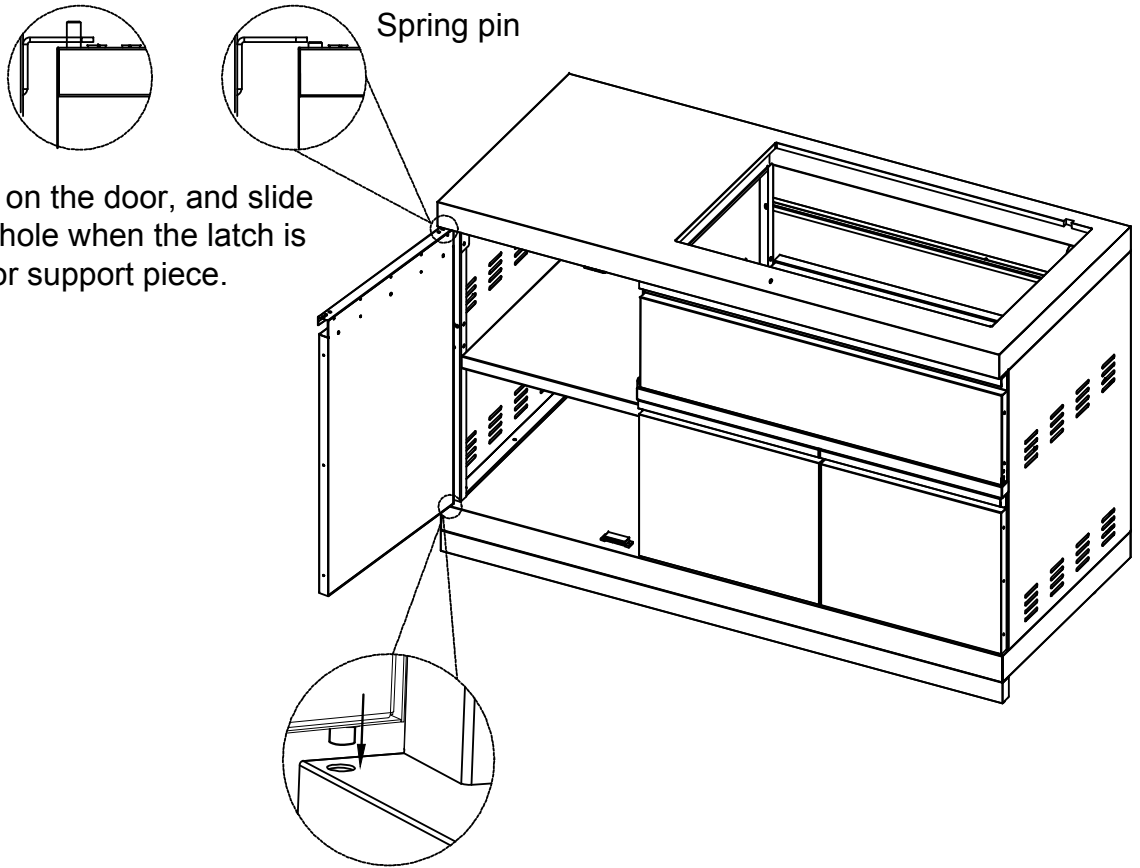
**6**

**Install Left Door.**

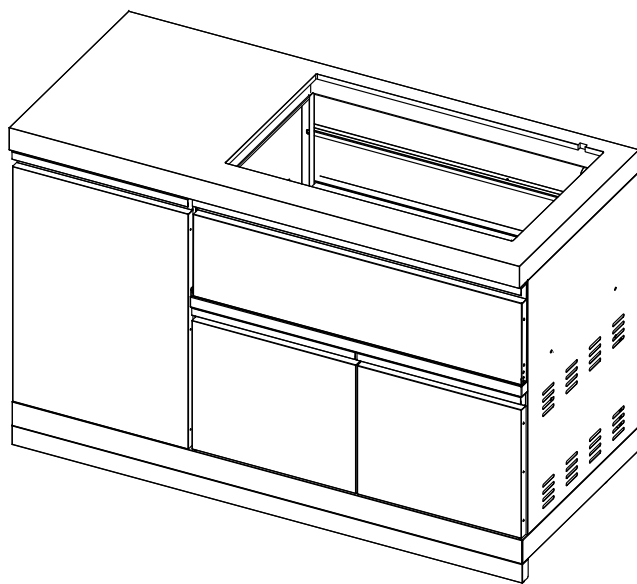
Tilt the door to an angle.

Spring pin

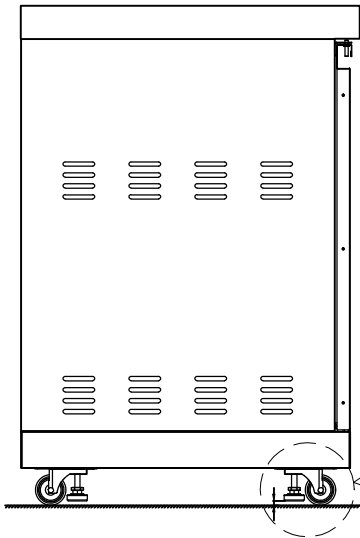
2. Press the latch on the door, and slide the door into the hole when the latch is flush with the door support piece.



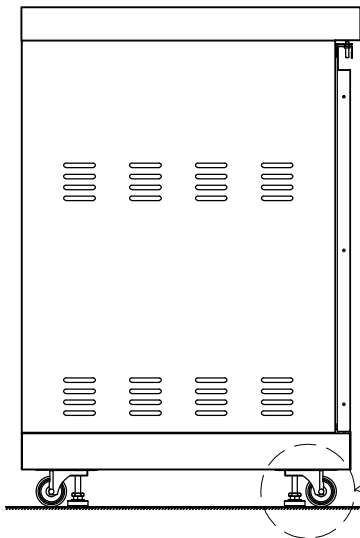
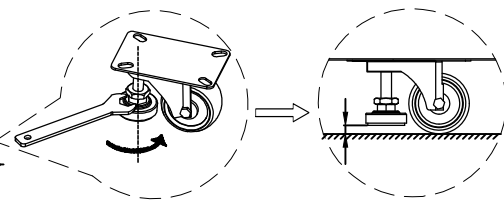
1. Tilt the door and insert to the hole on bottom.



How to adjust the height of the caster with leveling glide.

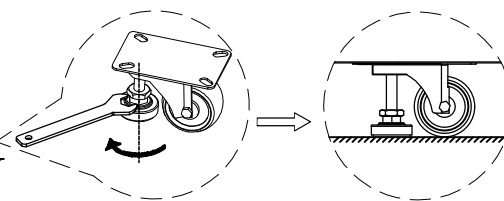


1. When you want to move the cabinet, please lift the leveling glide with wrench as shown on below image (please keep the leveling glide off the floor 3-5mm).

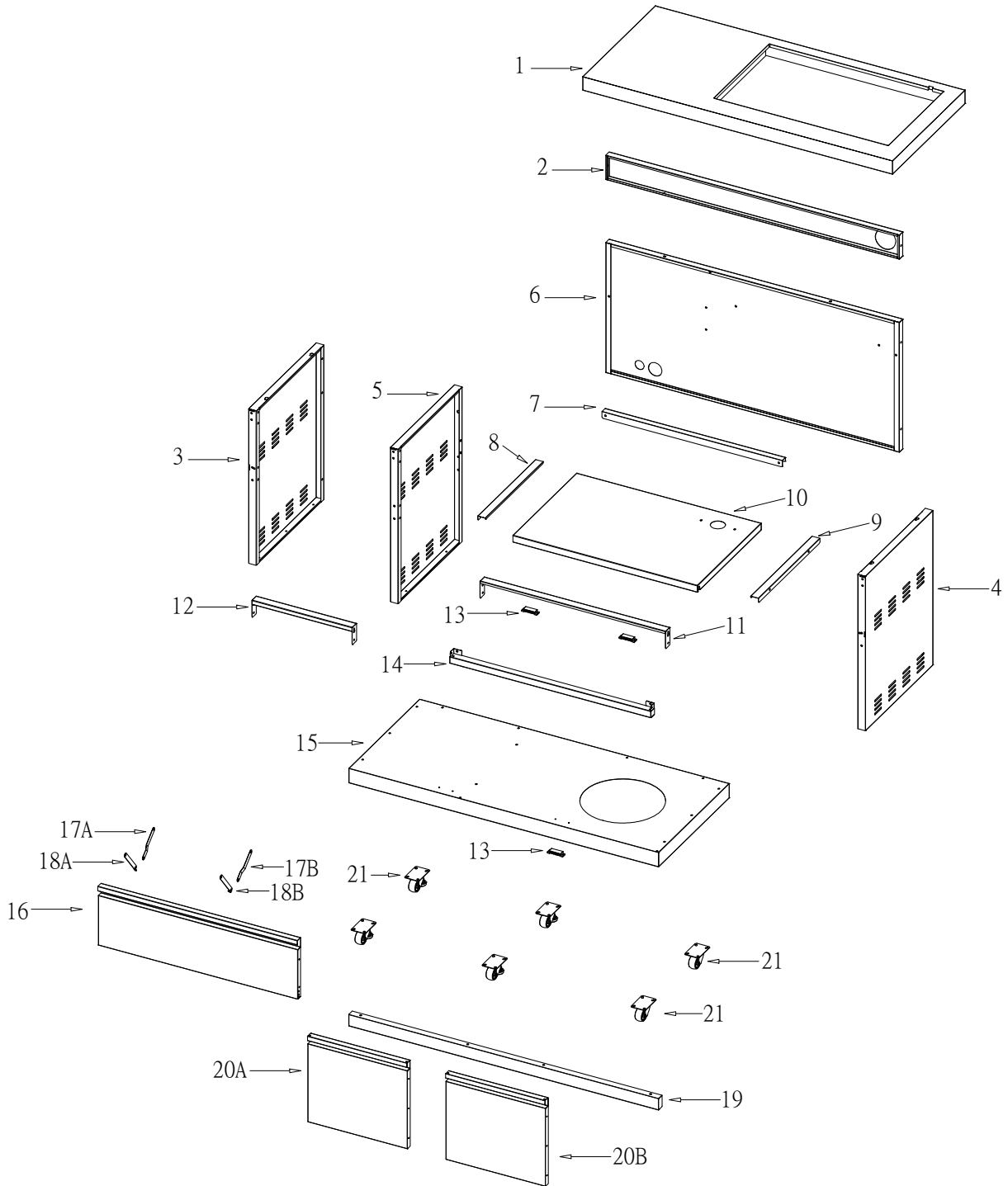


2. When you want to level the cabinets., please use a wrench (not included) to adjust the leveling-caster. The maximum height of adjustment is 5-6mm.

3. We recommend you use a spirit level to ensure the middle BBQ cabinet is level first, then level the side cabinets by adjusting the feet.



**Parts Diagram for Crossray Kitchen Cabinets**





*Parts list for Crossray Kitchen Cabinets*

KEY	DESCRIPTION	PART#	QTY
1	Cabinet Panel, TOP	S0223-24	1
2	Cabinet Panel, Rear Top	. 0223-03	1
3	Cabinet Panel, Left	S0218-05A	1
4	Cabinet Panel, Right	S0218-05B	1
5	Cabinet Panel, Middle	S0218-02	1
6	Cabinet Panel, Rear Bottom	S0223-04	1
7	AGA Panel Rear L Bracket	S0223-06	1
8	AGA Panel Left L Bracket	S0223-07	1
9	AGA Panel Right L Bracket	S0223-08	1
10	Middle Panel	S0218-06	1
11	Door Bracket, Right	S0218-11	1
12	Door Bracket, Left	S0223-05	1
13	Magnet	S0167-43	3
14	Door Bracket	S0223-13Z	1
15	Bottom Panel	S0223-01	1
16	Cabinet Door, Top	S0223-09	1
17A	Foldable Bracket, Left	S0223-12A	1
17B	Foldable Bracket, Right	S0223-12B	1
18A	Magnet	S0223-11A	1
18B	Magnet	S0223-11B	1
19	Kickboard	S0223-17	1
20A	Cabinet Door, Right	S0223-14A	1
20B	Cabinet Door, Right	S0223-14B	1
21	Casters	S0218-31	6

# ALFRESCO CHECKLIST FOR NATURAL GAS BBQ

Currently for residential premises, barbecues are certified under a domestic appliance standard and classified as outdoor appliances. Once they are moved to an 'enclosed' alfresco area, they must be re-certified for indoor use. The following checklist is a guide indicating the basic steps for re-certification.

1. **Does the Alfresco area have sufficient natural ventilation?**

See information below this checklist for natural ventilation requirements.

**Yes**

**No**

If Yes, an outdoor domestic BBQ may be used.

If no, all below additional requirements must be satisfied.

If you answered 'No' to item 1, the Alfresco is considered to be Enclosed. And the following requirements must be satisfied.

2. BBQ to be re-certified for use as commercial catering equipment at residential premises.\*

**Complete**

3. Appliance installation to be compliant for mechanical ventilation. Requires range hood / extraction fan\*

**Complete**

4. Installation requires interlock mechanism Ensuring that the extraction fan automatically turns on when BBQ is being used.\*

**Complete**

**Note:** for a BBQ to be re-certified for use in an enclosed alfresco, it must meet set criteria:

- Robust manufacture
- Flame failure system
- Rigidly fitted at Installation (hoses not allowed)
- Readily accessible isolation valve
- BBQ installed on a non-combustible surface

If items 2 to 4 are complete and compliant with relevant standards, the recertified BBQ may be used in the enclosed alfresco.

\*See over page for additional information

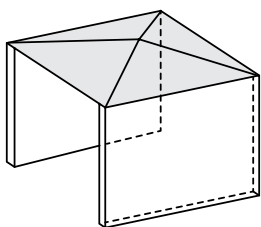
## NATURAL VENTILATION REQUIREMENTS –

### When is an Alfresco considered 'outdoors'?

A covered Alfresco area is considered outdoors when it is an open-air situation with natural ventilation.

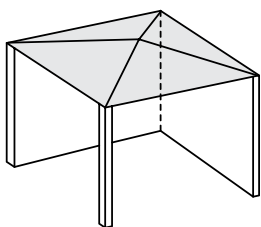
- If the Alfresco meets the below minimum requirements, it is considered that natural ventilation is provided and an outdoor domestic BBQ may be used.
- If the Alfresco does not meet the below minimum requirements, it is considered an enclosed Alfresco and additional requirements must be satisfied.
- For additional information, see Energy Safety publication – "Safe locations for using barbecues and gas patio heaters".

#### Compliant examples:



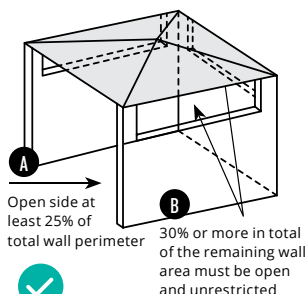
**Not more than:**

- Two parallel walls with a covered roof.



**Not more than:**

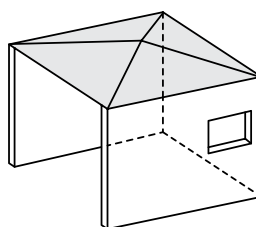
- Two walls at right angles with a covered roof.



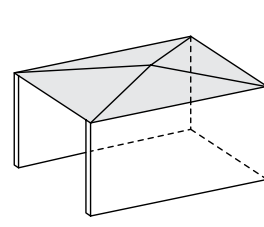
**Not more than:**

- Three walls, with the one open side being at least 25% of the total perimeter (A).
- The remaining three walls having an area of 30% or more of unrestricted opening (B).

#### Non-compliant examples:



- Remaining 3 walls do not have 30% or more of unrestricted opening.



- Open side is less than 25% of the total perimeter.

**Note:** the above applies to a fully detached alfresco and/or an alfresco sharing a house wall.

## ADDITIONAL INFORMATION:

### 🔥 BBQ to be re-certified:

- Re-certification must be undertaken by an approved Type A Gas Appliance Inspector
- See list of Independent Inspectors on Energy Safety website <https://www.commerce.wa.gov.au/energysafety/type-gas-appliances>
- Some outdoor BBQs already have a flame failure system fitted which makes re-testing and certification to AS4563 simpler and cheaper. Having a flame failure system retrofitted is costly and the appliance will still need to be tested and approved

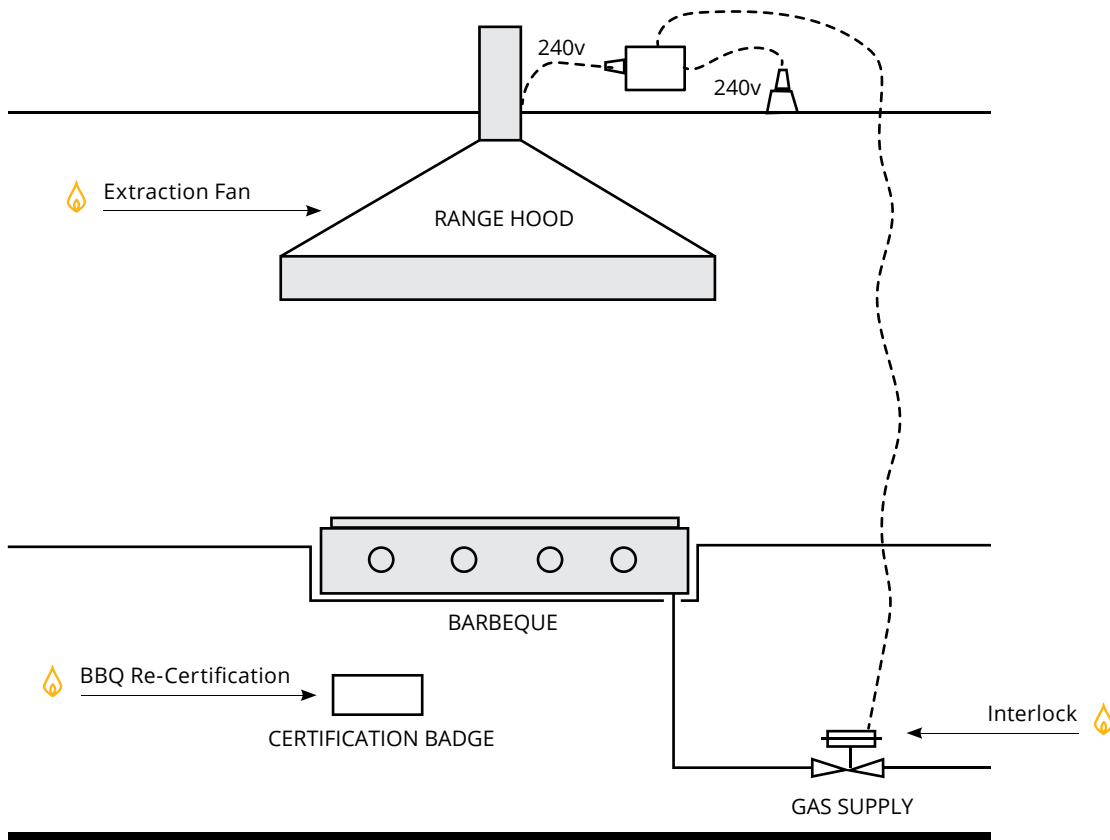
**Note:** the inspector who re-certifies the appliance must be independent and cannot also undertake any of the other installation work (appliance, ventilation or interlock).

### 🔥 Extraction Fan:

- A commercial style range hood/extraction canopy must be fitted above the appliance to provide adequate ventilation as Standard AS/NZS 5601 dictates.
- The extraction fan filter must not be closer than 1,200mm to the cooking surface.
- The fan must move at least 2,000m<sup>3</sup> of air per hour. ATCO recommends the use of a 2 motor fan to achieve this flow rate.
- Not only will the fan remove any harmful products of combustion, but it will also stop grease and smoke from damaging the alfresco walls and ceiling.

### 🔥 Interlock to be installed:

- The re-certification process means that the appliance is now considered a 'commercial' appliance – for domestic use. This requires the appliance to have an interlock installed, so that the extraction fan is operating before gas will flow to the appliance. Ref: AS/NZS 5601.1:2013 Clause 6.10.1.15



Please also see Energy Safety publication – “Safe locations for using barbecues and gas patio heaters”.  
And contact ATCO for further advice if required. 13 13 56



Thermofilm Australia Pty Ltd  
17 Johnston Court Dandenong South, Victoria, 3175 Australia  
T: 03 9562 3455 E:sales@thermofilm.com.au