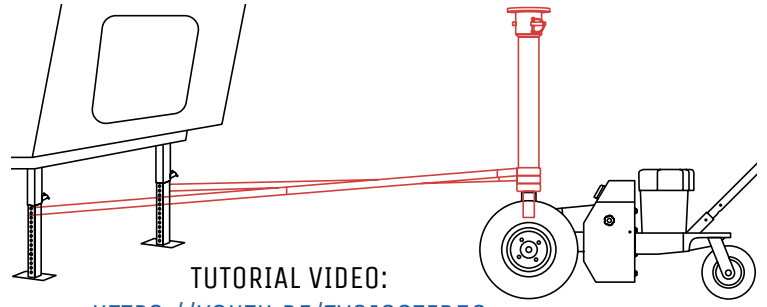


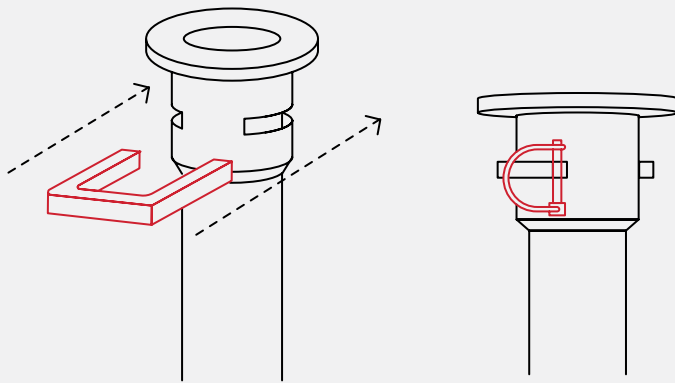
ADAPTER INSTALLATION:

KINGPIN: WITH LANDING LEGS



TUTORIAL VIDEO:
[HTTPS://YOUTU.BE/TVGJQQTfD5G](https://youtu.be/TVGJQQTfD5G)

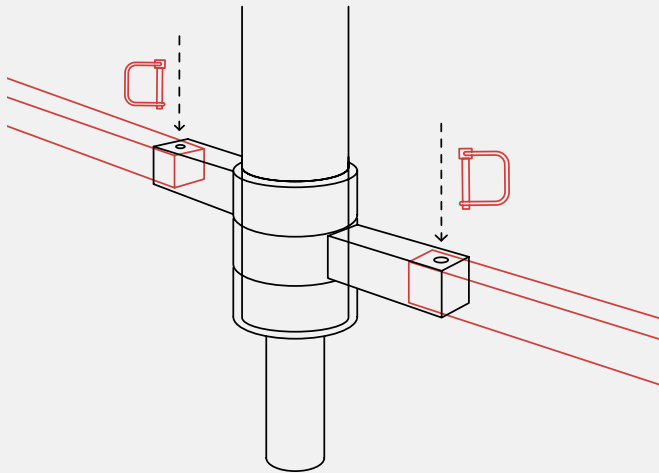
1



Attach the **Kingpin Adapter** to the trailers' Kingpin and slide the U-shaped locking pin into place.

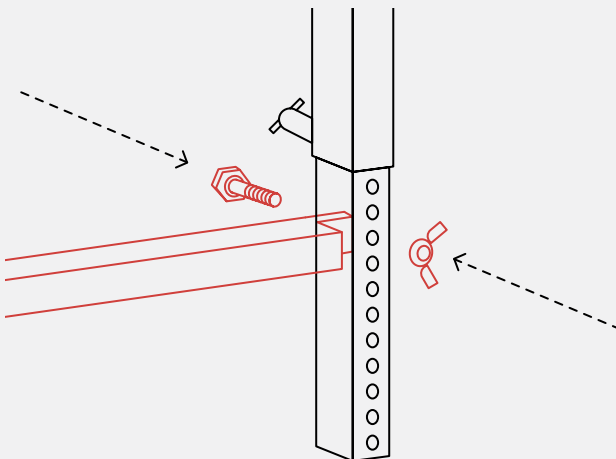
Secure this connection with the supplied D-Pin.

2



Install the **Landing Leg Stabilizer Bars** into the adapter's **Wing Tubes**. Secure these with the supplied D Clips.

3

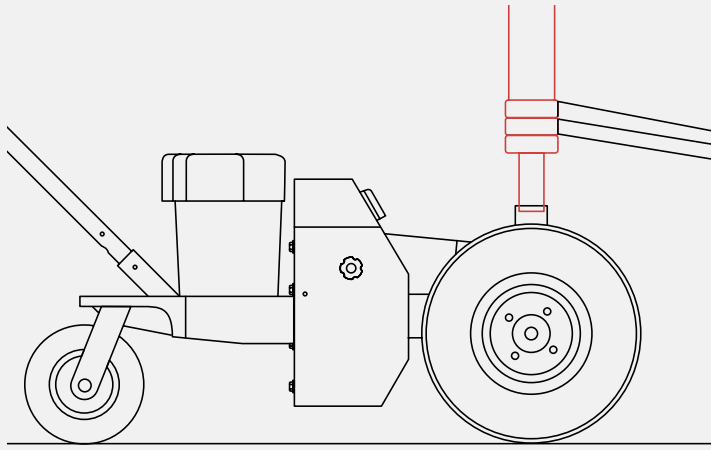


Turn the Stabilizer Bars towards your trailer.

Lock the Stabilizer Bars to the Trailer's Feet using the supplied Bolts and Wing Nuts.

Raise the Trailer Jack.

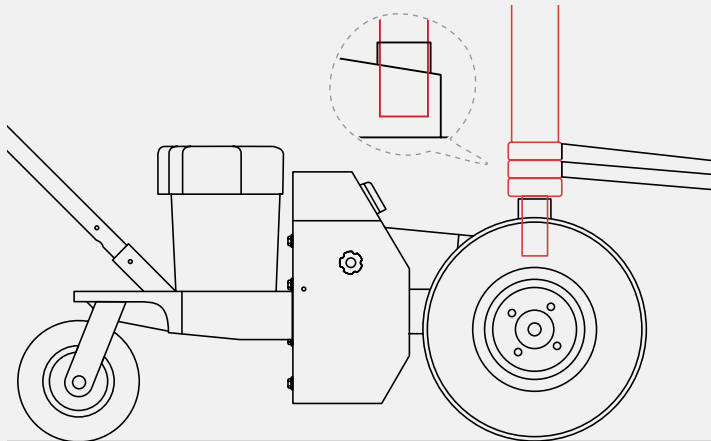
3



With both Transformer motors in **Freewheel Mode**, move the dolly underneath the hitch.

Using the Trailer Jack, lower the Adapter into the Dolly's Receiver Tube until the bottom edge is no longer visible.

4

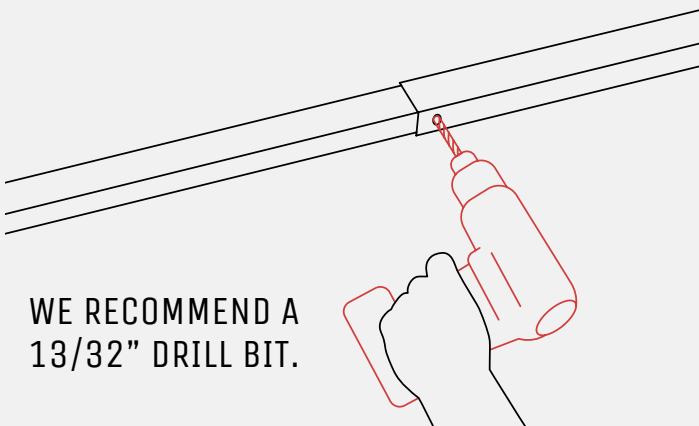


Switch both motors to **Engaged Mode**. Move the Dolly in Reverse to level it out.

Continue lowering the trailer onto the Dolly to fully insert the Adapter.

Ensure the Stabilizer Bars are almost level.

5



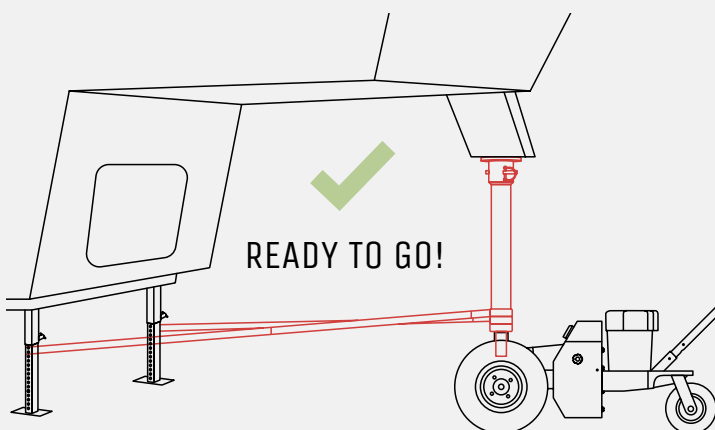
WE RECOMMEND A 13/32" DRILL BIT.

Drill Locking Pin Holes into the Stabilizer Bars using the pre-made guide holes.

Drill a hole into one side of the Stabilizer Bar, and then the other to complete the through hole. **Secure these with D-Pins.**

This hole will only need to be drilled on the initial installation: 1 hole in each set of tubes.

6



Connect the **Trailer Brake Plug**.

Lift the trailer jack all the way up, and you're ready to go!