

FORCE 5K & 10K

INSTRUCTION MANUAL / USER GUIDE



CALL TOLL-FREE:

1-888-926-5517

Ext. 1 - Sales

Ext. 2 - Administration

Ext. 4 - Technical Support

OFFICE HOURS (WEEKDAYS)

8AM-6PM EST

sales@parkit360.com

admin@parkit360.com

support@parkit360.com

IN THE BOX

**SOMETHING MISSING?
NEED EXTRA PARTS?**

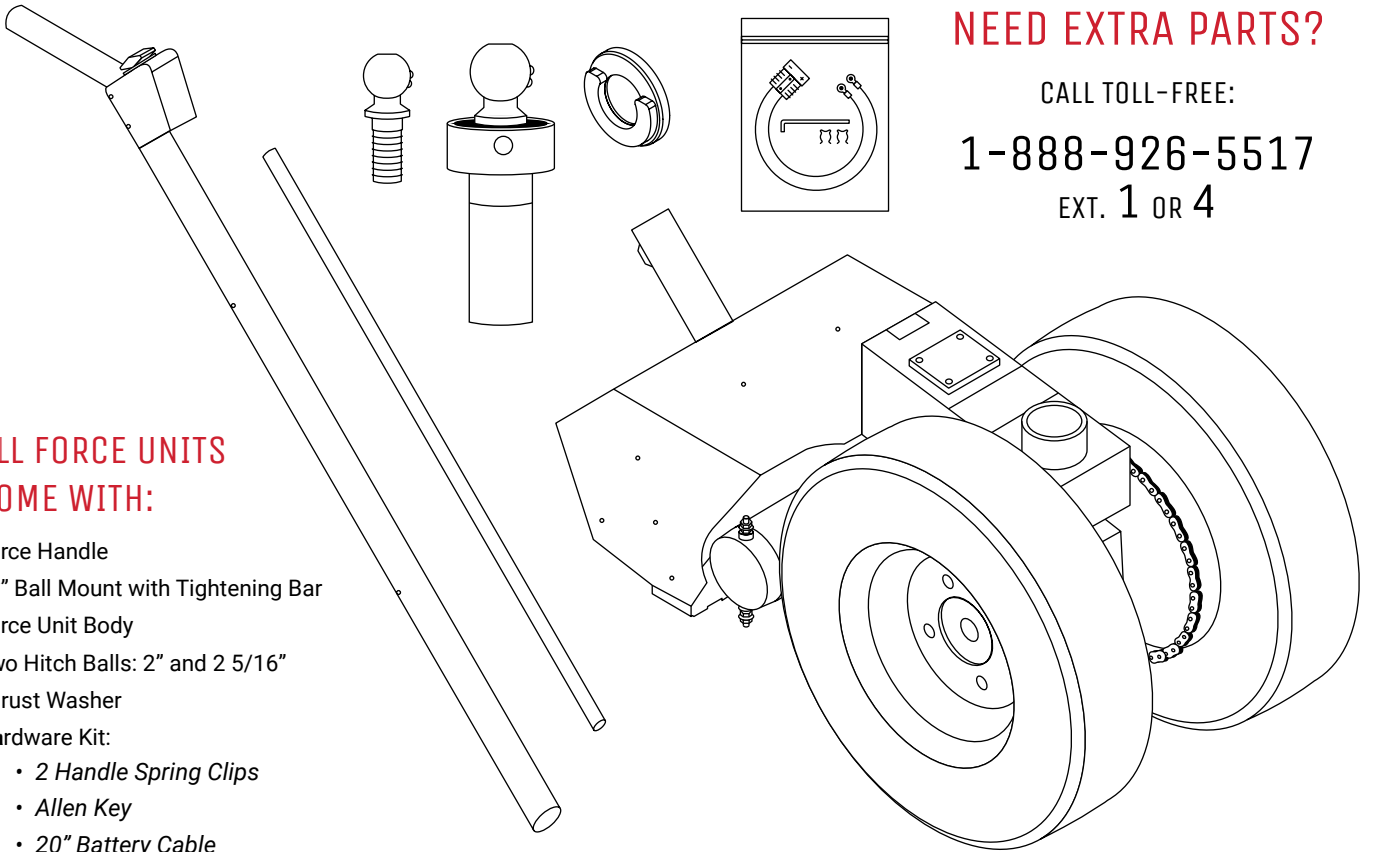
CALL TOLL-FREE:

1-888-926-5517

EXT. 1 OR 4

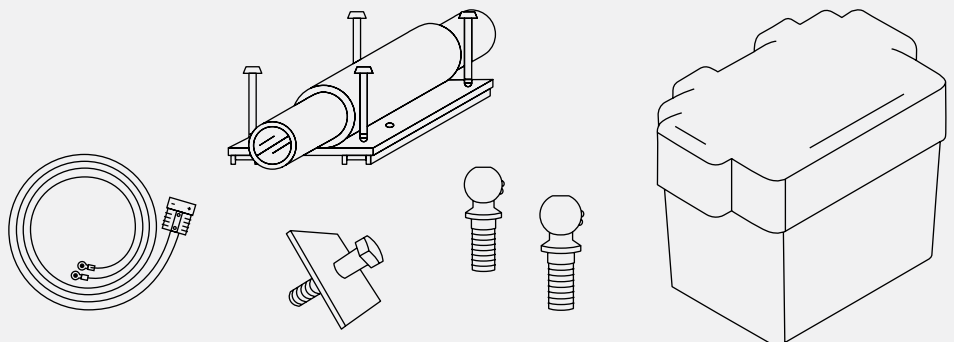
ALL FORCE UNITS COME WITH:

- Force Handle
- 18" Ball Mount with Tightening Bar
- Force Unit Body
- Two Hitch Balls: 2" and 2 5/16"
- Thrust Washer
- Hardware Kit:
 - 2 Handle Spring Clips
 - Allen Key
 - 20" Battery Cable



OPTIONAL PARTS

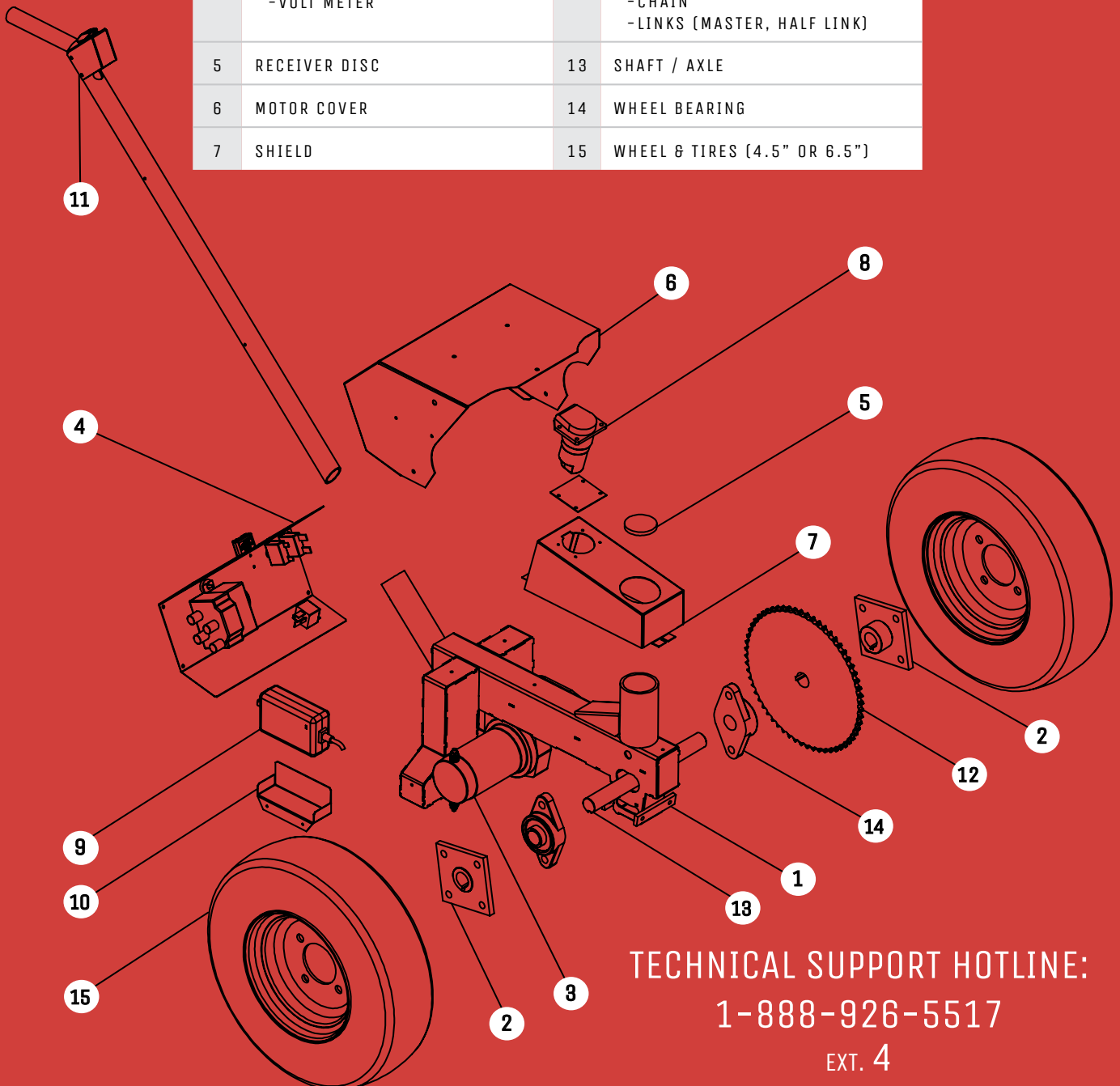
- Battery Box (Packaged Separately)
- Telescopic Frame Adapter
- Pintle Hitch Adapter
- 80" Battery Cable
- 1 7/8" Hitch Ball
- 50mm Hitch Ball



MORE PARTS AVAILABLE ONLINE: PARKIT360.COM

PARTS LIST

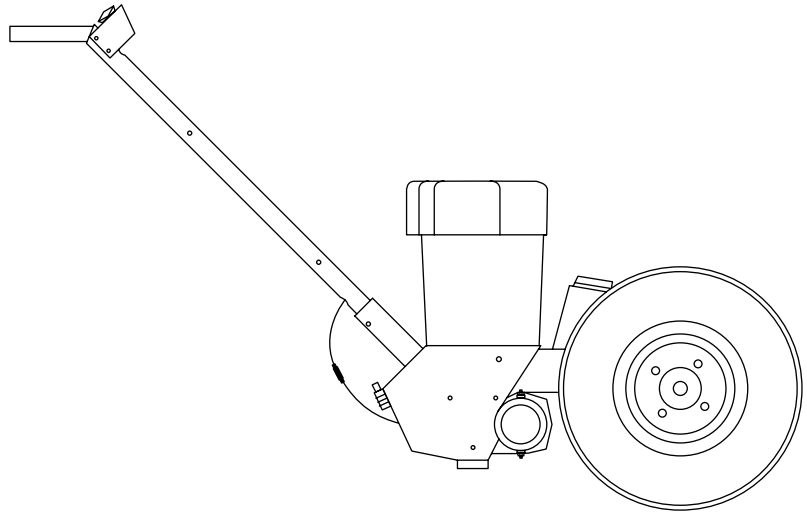
1	FORCE FRAME	8	7 WAY CONNECTOR (SMART BRAKE)
2	DRIVE PLATE	9	BUILT-IN BATTERY CHARGER
3	MOTOR (1.5 HP)	10	FORCE CHARGER BRACKET
4	ELECTRONICS MODULE: -CIRCUIT BOARD -CIRCUIT BREAKERS -RELAY -CONTACTOR (400 AMP) -VOLT METER	11	FORCE HANDLE: -ROCKER SWITCH -RUBBER GRIP
5	RECEIVER DISC	12	SPROCKET: -CHAIN -LINKS (MASTER, HALF LINK)
6	MOTOR COVER	13	SHAFT / AXLE
7	SHIELD	14	WHEEL BEARING
		15	WHEEL & TIRES (4.5" OR 6.5")

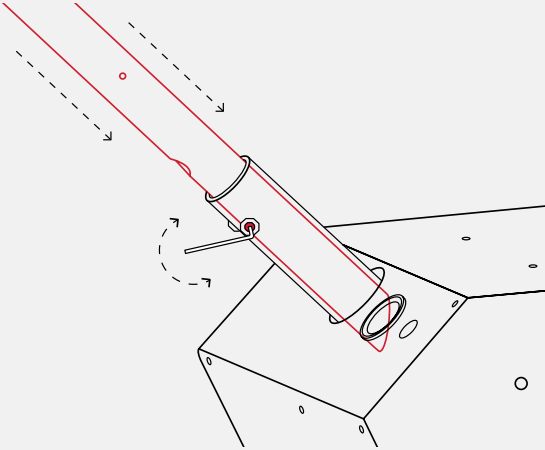
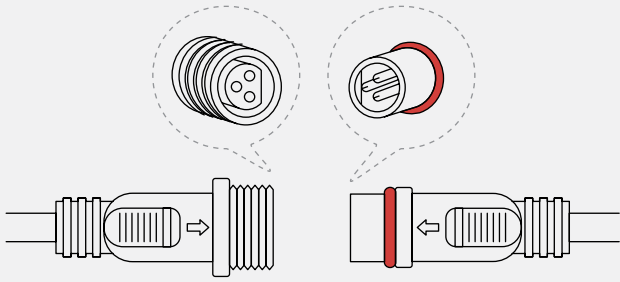
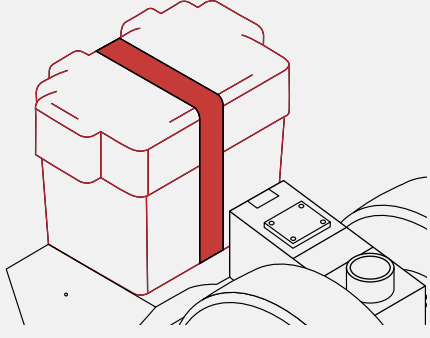


TECHNICAL SUPPORT HOTLINE:
1-888-926-5517
EXT. 4

ASSEMBLY

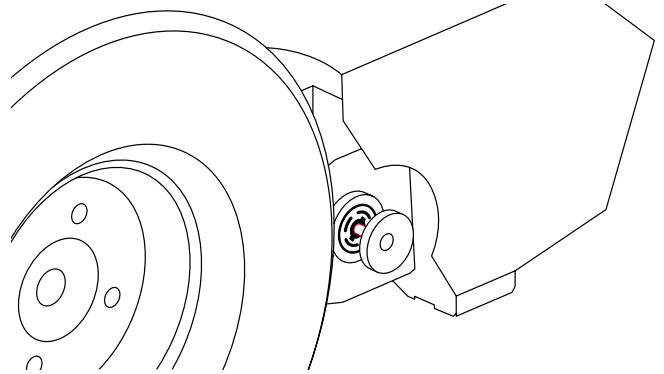
PLEASE FOLLOW THESE STEPS TO ASSEMBLE YOUR PARKIT360 FORCE UNIT.

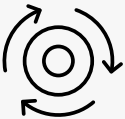
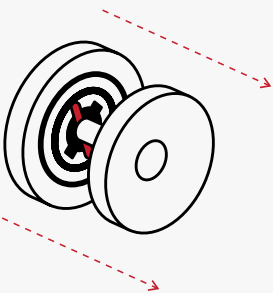



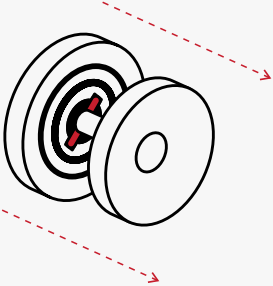
1		<p>Insert the base of the handle into the Handle Receiver Tube.</p> <p>Tighten the Allen Screws to secure the handle.</p> <p>Install the 2 Handle Spring Clips onto the Handle for easy access to the Tightening Bar. (Optional)</p>
2	 <p>ALIGN THE ARROWS AS SHOWN.</p>	<p>Connect the two parts of the Handle Control Cable.</p> <p>Make sure the flat faces of both cable heads are aligned.</p> <p>Do NOT force it together.</p> <p>Twist the plastic nut over the connection to secure it.</p>
3	<p>OPTIONAL: INSTALL BATTERY BOX</p> 	<p>If you purchased a Unit with the optional Battery Box:</p> <p>Install it with the strap provided and place your battery inside.</p> <p>BATTERY NOT INCLUDED.</p> <p><i>12V Group 24 Deep Cycle Battery recommended.</i></p>

OPERATION

YOUR FORCE UNIT HAS TWO DRIVE MODES:



FREEWHEEL MODE		SWITCHING GEAR
	<p>Neutral. For moving the Unit to and from your application without power while it is NOT under load.</p>	<p>If you are in Engaged Mode, the wheels will be locked in the drive position.</p> <p>Without power, the Unit will only move an inch forwards or backwards before stopping.</p> <p>Rock the unit so the wheels rest in between these two stop points.</p> <p>Pull on the Knob and turn it clockwise. Rest the small pin on the outer metal, not in the pin hole.</p>
<p>PULL ON THE KNOB AND TURN IT CLOCKWISE. REST PIN OUTSIDE.</p> 		

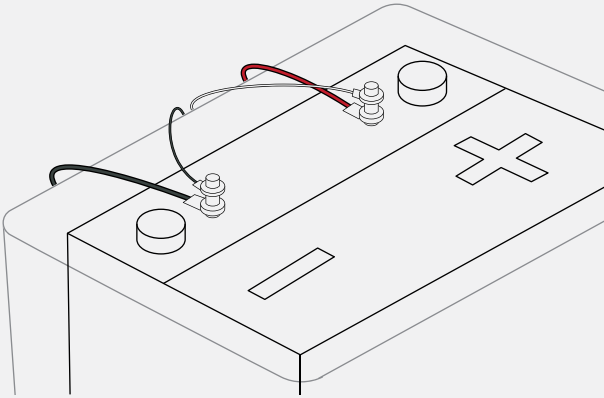
ENGAGED MODE		SWITCHING GEAR
	<p>Drive. For connecting the Unit to your hitch and moving the trailer with battery power.</p>	<p>Ensure your unit is in position and ready to connect to your trailer.</p> <p>Pull on the Knob and turn it clockwise. Ensure that the small pin fits into the slot.</p> <p>Rock the unit back and forth. The knob will pop in with a “click”, engaging the unit into Drive.</p> <p>You’re now ready to connect to your hitch and move the trailer!</p>
<p>PULL ON THE KNOB AND TURN IT CLOCKWISE. PLACE PIN INSIDE.</p> 		

ENSURE MOTOR IS IN THE PROPER GEAR BEFORE OPERATING.

POWER OPTIONS

12V BATTERY

Install the battery and connect the cables as shown:



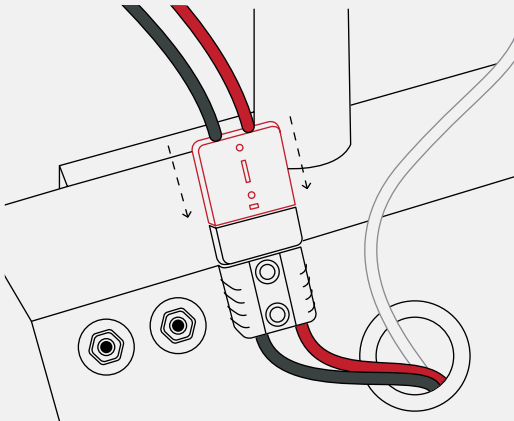
20" BATTERY CABLE



OPTIONAL:
BATTERY CHARGER

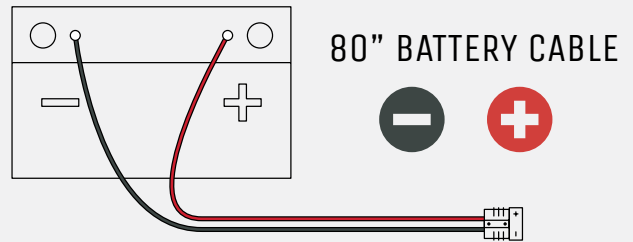


Connect the Battery Cable to the **Red Battery Connection Plug** at the base of the handle:



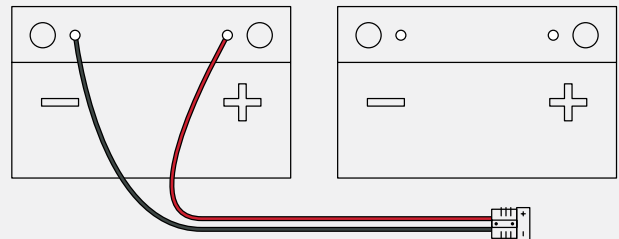
TRAILER BATTERY

Single 12V Battery:



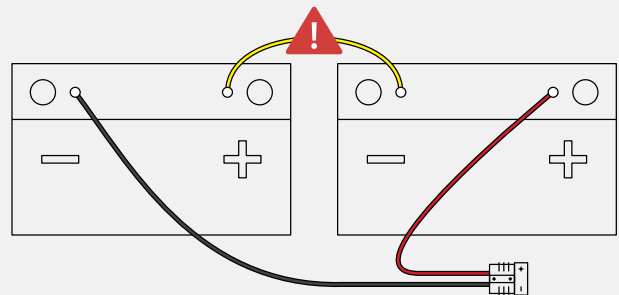
Two 12V Batteries:

Connect to Primary Battery



Two 6V Batteries:

The 80" Cable **MUST** be connected across both batteries, not just one.



QUESTIONS ABOUT BATTERY CONNECTION?

1-888-926-5517

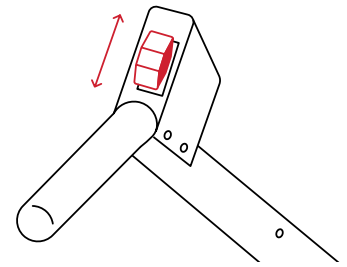
EXT. 4



DO NOT CONNECT 80" CABLE TO BATTERY CONNECTION TERMINALS

THIS CAN CAUSE A SHORT CIRCUIT AND SERIOUS DAMAGE TO YOUR TRAILER AND PARKIT360 TRAILER DOLLY.

QUICK SET-UP GUIDE



1	POSITION	Switch the Unit into Freewheel Mode and move it to the trailer. Position it underneath your Trailer Hitch.
2	POWER	TURN ON the Unit by Connecting your Battery Cables .
3	HITCH	Switch to Engaged Mode and Connect your Hitch .
4	PARK	Use the Toggle Switch on the Handle to move your Trailer Forwards and Backwards. Park the trailer in your desired location.
5	DISCONNECT	Disconnect the Red Battery Connection Plug to TURN OFF the Unit. Switch the Unit into Freewheel Mode and Disconnect your Hitch .
6	STORE	Move the Unit to desired storage location, preferably under cover. <i>If you have the battery charger option, please ensure the unit is kept level to prevent battery acid overflow while charging.</i>



SAFETY INSTRUCTIONS



DO NOT OPERATE ON GRADES STEEPER THAN 6%

DO NOT EXCEED WEIGHT CAPACITY

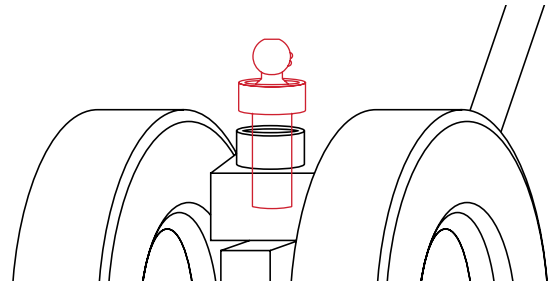
Due to the possibility of a runaway trailer, operation on grades steeper than 6% is not recommended. Failing to follow these instructions could result in damage, injury, or death.

The Maximum Safe Trailer Weight of your Unit depends on the model purchased:

Force 5k: up to 5,000 lbs
Force 10k: up to 10,000 lbs

CONNECTING TO YOUR TRAILER:

BALL MOUNT ADAPTER



BALL MOUNT TUTORIAL VIDEO:
[HTTPS://YOUTU.BE/NZ-_WKINBZS](https://youtu.be/NZ-_wkinbzs)

1

Thread the desired **Hitch Ball** into the Ball Mount.

Apply a generous portion of **All-Purpose Grease** along the top surface of the Ball Mount Collar.

The bottom shoulder of the Hitch Ball must be slightly below the top surface of the Ball Mount Collar.

! **NOTE: HITCH BALL WELD SPOTS**

Make sure the **Weld Spots** on the Hitch Ball are pointed towards the rear **left side of your trailer at about 10 o'clock**.

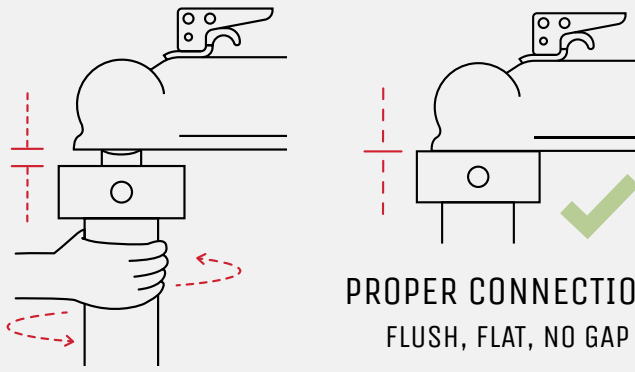
You will have trouble locking your hitch if they are not positioned properly!

2

Hold the assembled Ball Mount underneath the hitch.

With the **Weld Spots** in the correct position, insert the Ball into the Hitch and lock it as normal.

3



PROPER CONNECTION:
FLUSH, FLAT, NO GAP

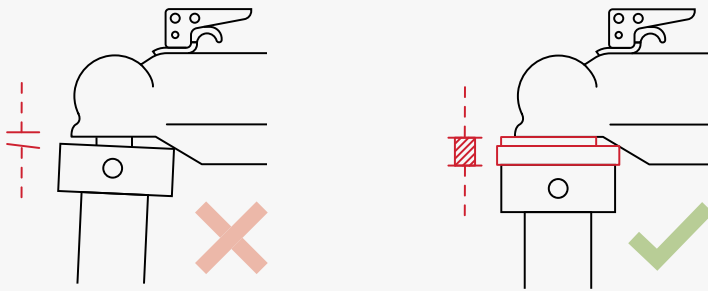
Turn the Ball Mount Counter Clockwise until the gap between the Ball Mount Collar and Trailer Tongue closes.

The top edge of the Ball Mount and the Trailer Tongue should be **flush, with no gap**.

The connection should be tight without any ball pivot.



NOTE: THRUST WASHER



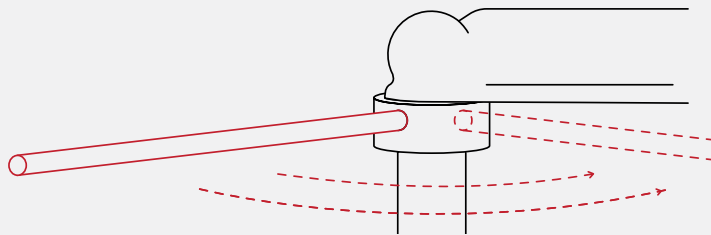
Gap in your connection?

Have a Step Down or another obstruction in the way?

You may need a **Thrust Washer**.

Find [Thrust Washer Installation instructions](#) on Page [10](#).

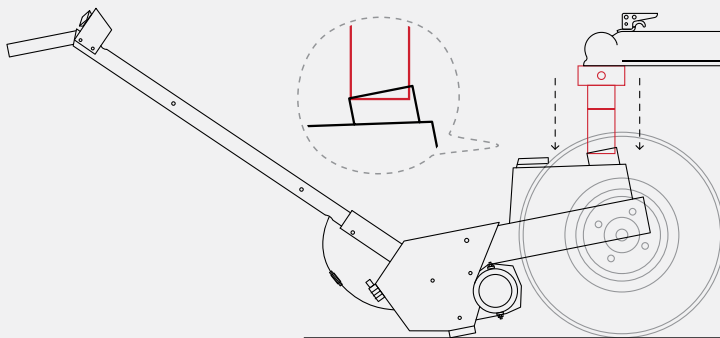
4



Once the connection is secure, use the **Tightening Bar** to ensure that the connection is as tight as possible.

This may take a few rotations.

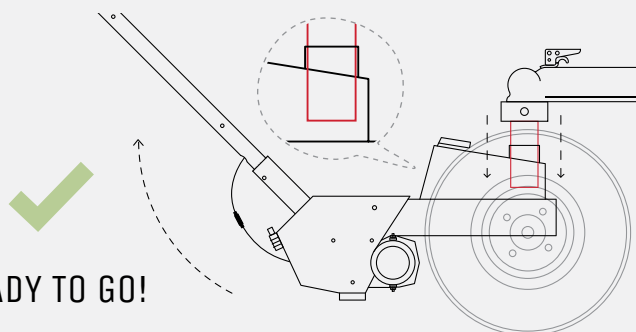
5



With the Force Dolly in **Freewheel Mode**, move the dolly underneath the hitch.

Using the Trailer Jack, lower the Ball Mount into the Dolly's Receiver Tube until the bottom edge is no longer visible.

6



READY TO GO!

Using the Motor Knob, switch to **Engaged Mode**. Move the Dolly in **Reverse** to level it out.

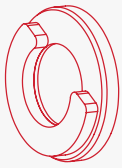
Continue lowering the trailer onto the Dolly to fully insert the Ball Mount.

Lift the trailer jack all the way up, and you're ready to go!

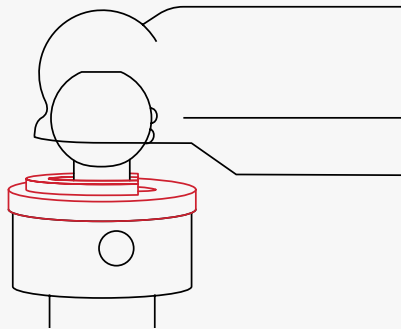
CONNECTING TO YOUR TRAILER:

ALTERNATE METHODS

THRUST WASHER – FOR BALL MOUNT ADAPTER



THRUST WASHER VIDEO:
[HTTPS://YOUTU.BE/NZ- WKINBZS](https://youtu.be/NZ-WKINBZS)

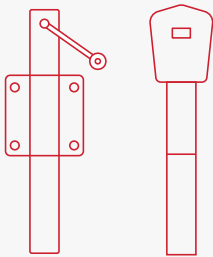


Place the **Thrust Washer** on top of the **Ball Mount Collar**, with the open section facing your trailer.

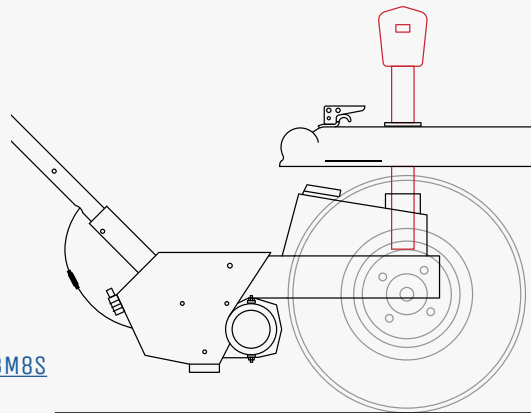
Install the Hitch Ball and **continue Ball Mount connection as normal**.

While tightening in [Steps 3-4](#), hold the Thrust Washer in place to prevent it from spinning.

JACK POST OPTION



JACKPOST VIDEO:
[HTTPS://YOUTU.BE/X8YNQ5FBM8S](https://youtu.be/X8YNQ5FBM8S)



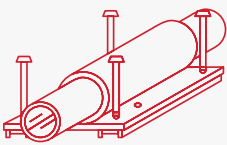
Remove the Ball Mount Adapter.

Lower the trailer jack into the Dolly's **Receiver Tube**, following the same instructions as [Step 5-6](#).

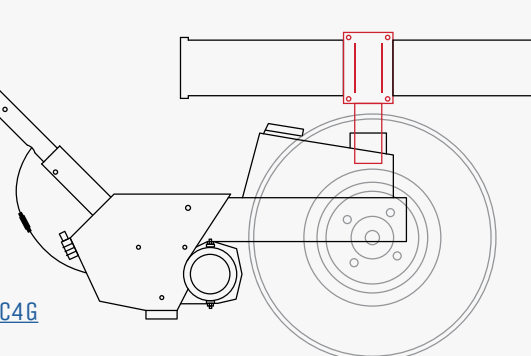
You're ready to go!

Lower the trailer as close to the tires as possible without rubbing on the trailer frame. This will reduce strain on the Jack Shaft.

TELESCOPIC FRAME ADAPTER



TELESCOPIC VIDEO:
[HTTPS://YOUTU.BE/XJRP2HDC4G](https://youtu.be/XJRP2HDC4G)



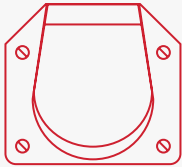
Remove the Ball Mount Adapter. **Attach the Telescopic Adapter to the Y section of the trailer frame.** Lower the telescoping pipe into the Dolly's **Receiver Tube** and slide the locking pin into place.

For Articulated Hitches, DO NOT use the Ball Mount Adapter. Doing so could cause damage to the unit, the trailer, or cause serious injury, including death.

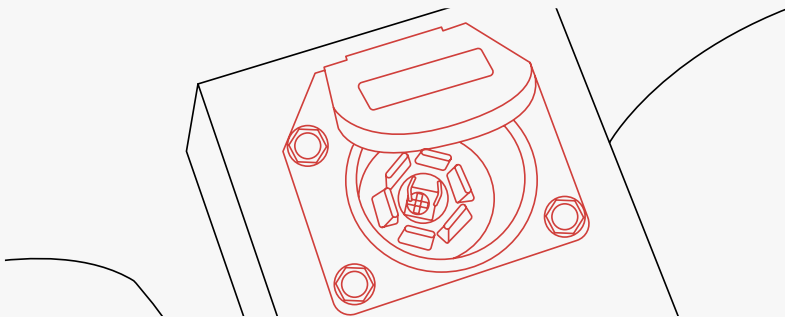
CONNECTING TO YOUR TRAILER:

SAFETY FEATURES

SMART BRAKE CONTROLLER



ENGAGES TRAILER BRAKES
WHEN UNIT IS NOT
IN MOTION.



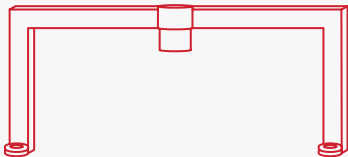
This Smart Brake Controller is for **Electric & Surge Brakes**.

Moving on an incline?

Connect your Trailer's 7-Way Power Harness to automatically engage the Trailers Brakes when the Unit is powered on and not in motion.

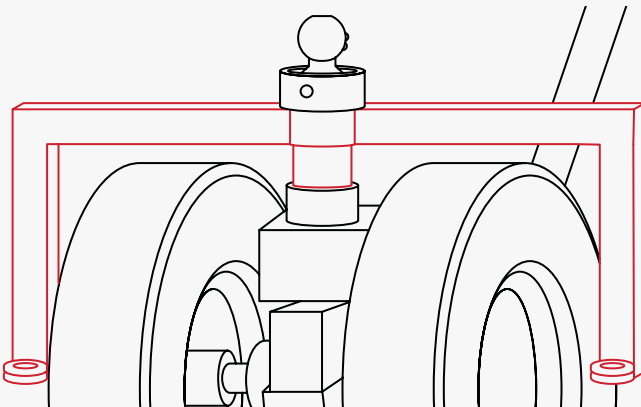
The brakes will release when the directional toggle switch is pushed, allowing for safe parking experiences on slight inclines.

TORSION BAR



SAFETY STRAP CONNECTOR
FOR THE FORCE 5K & 10K

REINFORCES BALL MOUNT
AND PREVENTS KICK BACK.



Connect the **Ball Mount** to the Trailer Hitch as normal. (See [Page 8-9](#))

Rest the **Torsion Bar** on the **Receiver Tube** before inserting the Ball Mount.

Once the connection is secure, hook the provided **Ratchet Straps** to the rings at the base of the Torsion Bar.

Attach the opposite ends to a secure point on the **left and right side** of the Trailer (ex. on the landing legs)

Tighten the Ratchet Straps to secure.

Ensure the strap will not interfere with the Units tires.

ALL PARTS AVAILABLE AT PARKIT360.COM

FAQ

WHAT KIND OF BATTERY DO I NEED?

We recommend a 12-Volt Group 24 Deep-Cycle RV or Marine Battery with a capacity of 70-90 Ah. The Unit can also be powered with your Trailer's Battery using the provided battery cables.

For details about battery connection, please see the [Power Options](#) section on Page 6.

WHY ARE THERE WELD SPOTS ON THE HITCH BALL?

These weld spots are specifically designed to work with our locking process. Without the welds, the ball will endlessly spin inside the Trailer Hitch.

For details, please see the [Ball Mount](#) section on Page 8 or our [Ball Mount Video](#).

RECOMMENDED TIRE PRESSURE SETTING?

A Tire Pressure of 40 PSI is recommended for all of our Tire options. (4" or 6.5" Wide Tires)

DO I NEED A THRUST WASHER?

The Thrust Washer is designed for trailers with Step Down Hitches. You only need the Thrust Washer if you have anything preventing the hitch from lying flush with the top of the ball mount collar. If you have a flat hitch, you do not need the Thrust Washer.

For details, please see the [Thrust Washer](#) sections on Page 9 and 10.

WHAT DOES A PROPER CONNECTION LOOK LIKE?

Please see Part 3 of the [Ball Mount](#) section on Page 9.

CONTACT US

PARKIT360 INC.

130 Industrial Ave - Unit 600
Carleton Place, Ontario
Canada, K7C 3T2

1-888-926-5517

Ext. 1 - Sales
Ext. 2 - Administration
Ext. 4 - Technical Support

OFFICE HOURS

Weekdays: 8am - 6pm EST
sales@parkit360.com
support@parkit360.com

WARRANTY

THANK YOU FOR YOUR PURCHASE!

We want you to be confident in the quality and durability of your Parkit360 Force Unit.

If you are not completely satisfied with your purchase, please see our Repair and Return policies below.

2 YEAR PARTS & REPAIR WARRANTY

Your Parkit360 Unit is covered for 2 years from the initial date of purchase, and is subject to the Exclusions and Limitations listed below. If your Trailer Dolly fails to perform or a defect is found during this period, contact us with the original sales receipt number and full details of the fault encountered and we will provide technical assistance to see if the issue can be resolved remotely:

If the issue appears to be caused by defective parts, we will provide free replacement parts, excluding shipping costs. If the 2 Year Warranty has expired or if you are not the original owner of the Unit, you will have to pay the cost of parts and shipping.

This repair will be covered for 3 months, starting 7 days from the date of shipment. This Repair Warranty will expire either at the end of the 3 month period, or at the expiration of the original 2 -Year Warranty, whichever is later.

Contact **Technical Support** for more information: support@parkit360.com or toll free at **1-888-926-5517 x 4**.

30 DAY RETURN POLICY

If a material defect is found or if the Parkit360 has failed to perform to your expectations, return it within 30 days of the date of sale for a refund, less shipping expenses and 20% restocking fee, provided that:

- Parkit360 is given prompt written or verbal notice of that defect;
- the returned Goods are in undamaged condition and accompanied by all original packaging and accessories; and
- the original sales receipt is presented.

We will provide you with an RMA# to write on the box before sending it back to our warehouse. There are 2 methods of return:

1. Pick-Up: We send a mail truck to your address to pick up the Unit, or
2. Drop-Off: After printing our shipping label and affixing it to the box, simply drop the package off at a UPS or FedEx depot.

The refund amount will be deposited into your account once our Warehouse has received the returned Unit.

Contact our **Sales Representative** for more information: sales@parkit360.com or toll free at **1-888-926-5517 x 1**.

EXCLUSIONS AND LIMITATIONS

The 2 Year Warranty and 30 Day Return Policy do not cover:

- Normal wear and tear of the Parkit360 from use
- Shipping Costs for Returns / Repairs
- Customer Neglect and Improper use or Storage of the Parkit360 Unit
- Exceeding the Unit's load capacity / not using the Dolly for its intended purpose
- Any Returns / Repairs requested after the 2 Year Warranty expires
- Unit's that have been modified, or if the Serial Number has been altered, defaced, or removed
- Second Hand Owners (Not the Original Buyer)

PARKIT360° / FORCE 5K & 10K MANUAL

Product Warranty Terms. PARKIT360 warrants that each of its new P360 Products will be free from material defects in workmanship and will perform substantially in conformance with their specifications for 2 years from the date of shipment to Reseller (the "Warranty Period"). The warranty period for a repaired or replaced product is three (3) months, and will expire on either the expiration of three (3) months or the expiration of the original warranty for the P360 Product, whichever is later. This warranty is given in favor of the Reseller. PARKIT360 reserves the right to refund the purchase price of any P360 Product as its exclusive warranty remedy.

Warranty Claims. If a P360 Product fails to perform during the Warranty Period, Reseller must notify PARKIT360 in writing with full details of the defect or fault encountered with the P360 Product. PARKIT360 will provide technical assistance to Reseller to see if the issue can be resolved remotely. If the issue appears to be caused by defective parts, PARKIT360 will arrange to provide replacement parts. Replacement parts will be provided by PARKIT360 free of charge to enable Reseller to fix any issues encountered with P360 Products during the Warranty Period. PARKIT360 will ground ship the replacement parts to Reseller and Reseller will be responsible for covering all shipping and handling costs for such parts. Provision of replacement parts constitutes full satisfaction of any warranty claim.

Voided Warranty. PARKIT360 will have no liability or obligation to provide replacement parts for free or honor support obligation if:

- any P360 Product which is not properly used or maintained;
- the P360 Product is operated under abnormal operating conditions (eg. exceeding load capacity for that particular model);
- the P360 Product is improperly used or used for purposes for which it is not intended (eg. modified to lift (Tug) 5th wheel trailers)
- or the Warranty Period for the faulty P360 Product is over.

Out of Warranty/Voided Warranty Assistance. PARKIT360 may offer at its discretion out-of-warranty product support and/or support and replacement parts for products which the warranty does not cover. Please contact PARKIT360 by email for further information on these services including replacement parts costs which may be available to Reseller at a discount from list price.

Parkit360 Return Policy

1. If within 30 days of the date of sale, a Customer finds a Product to have a material defect not specified in the catalog (if there is any), or if the Product has not met the Customer's expectations, then subject to sections 2 and 3, the Customer may return the Product, within 30 days of receiving the Product, to the store of original purchase for a refund, less shipping expenses and a 20% restocking fee, provided that:
 - the Customer gives prompt written notice of that defect to the Seller;
 - the Goods so returned are in undamaged condition and accompanied by all packaging and accessories; and
 - the original sales receipt is presented.
2. The processing of any refund on the Product paid for by cheque will require 15 days from the date of return.

If the Product is not returned within 30 days of the date of customer receiving the Product, then the customer will be deemed to have accepted the Product.

Exclusions and Limitations

3. The following defects and causes are not covered by this Policy:
 - those due to normal wear and tear of the Product arising from use;
 - those attributable in whole or in part to misuse of the Product;
 - those attributable to repair of the Product by any person other than an authorized dealer, or the installation of unapproved parts on the Product; or
 - those attributable to accident or to lightning, act of God, external fire, wind, rain, or damage or deterioration occurring during the course of transit, or as a result of vandalism or other deliberate act;
 - those due to any power surge, brown-out, leaking, damaged or inoperative batteries, or to connection to a power source having a greater rating than that specified in the operator's manual (in case of rechargeable batteries);
 - those caused by the Customer's neglect, improper use or storage, or failure to take care of and maintain the Product in accordance with the Owner's Manual and technical specifications provided therewith.

Notwithstanding anything to the contrary herein, Products with any of the above excluded defects may not be returned.

4. Alteration, defacing or removal of the serial number imprinted on the Product voids this Policy.
5. Those defects caused by failure of any part of the Product if that part is not being manufactured by the Seller; such product, if returned within 30 days of the date of sale, can be replaced with the product of similar or better quality.
6. Where, under this Policy, the Product is replaced with a new Product, this Policy will apply to the new Product as if the date of replacement was the date of the original purchase of the Product.

Immaterial Defects-Right of Seller to Correct Deficiency. Where a Product fails to perform in accordance with the specifications, the Customer shall so notify the Seller, and shall allow the Seller 20 business days to repair that Product and cause it to perform in accordance with specifications, or to replace it with a new Product that does so perform, but where the Product or any replacement Product cannot be made to perform in accordance with specifications within that time, the Seller shall repurchase the Product from the Customer for the purchase price less shipping expenses and a 20% restocking fee. This repurchase will constitute a full settlement of all claims of the Customer against the Seller with respect to that Product.

Last Updated: Oct 1, 2014