

# FORCE 5K & 10K

## INSTRUCTION MANUAL

VERSION 3.8



**READ CAREFULLY  
BEFORE OPERATION**

IMPROPER USE OF THIS DOLLY CAN  
CAUSE DAMAGE TO YOUR TRAILER,  
PERSONAL INJURY OR EVEN DEATH.



**DANGER**

# IN THE BOX

## ALL PACKAGES INCLUDE:

Force Dolly

Handle & Tightening Bar

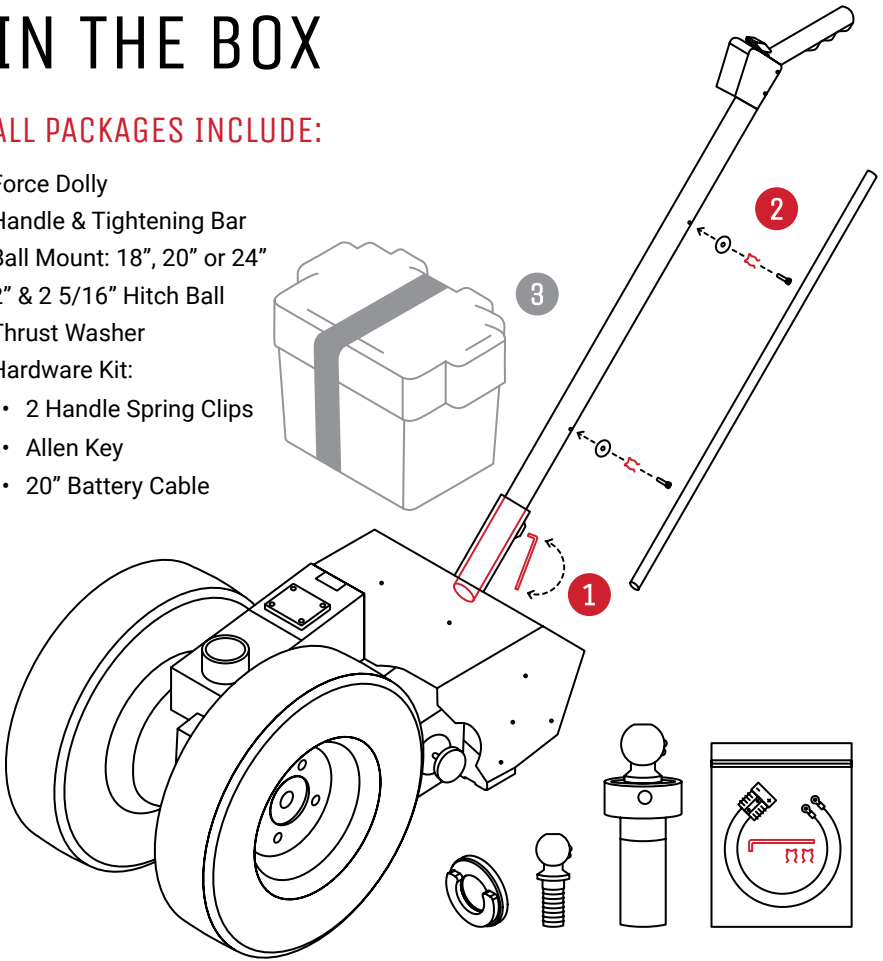
Ball Mount: 18", 20" or 24"

2" & 2 5/16" Hitch Ball

Thrust Washer

Hardware Kit:

- 2 Handle Spring Clips
- Allen Key
- 20" Battery Cable



# ASSEMBLY

Insert the **Handle** into the Dolly and tighten both **Allen Screws** to secure it.

Connect the two **Handle Control Cables**. **Make sure the Arrows on the Cable Heads are aligned**. Twist the plastic nut over the connection.

Install the **Spring Clips** onto the Handle to store the **Tightening Bar**.

OPTIONAL: MOUNT BATTERY BOX WITH PROVIDED STRAP.

# FEATURES

## VOLT METER

Digital Meter that measures and displays Power Level of Battery.

## FREEWHEEL KNOB

Engages or Disengages Motor to move the Dolly With or Without Power.

## BATTERY CHARGER (B2+B3)

Activates when the Dolly is plugged into a Wall Socket. Stops charging automatically when charger is full.

## SMART BRAKE (B2+B3)

7-Way Power Plug that Controls the Trailer's Electric or Surge Brakes.

# OPTIONAL PARTS

Telescopic Frame Adapter

1 7/8" or 50mm Hitch Ball

Pintle Hitch Adapter

80" Battery Cable

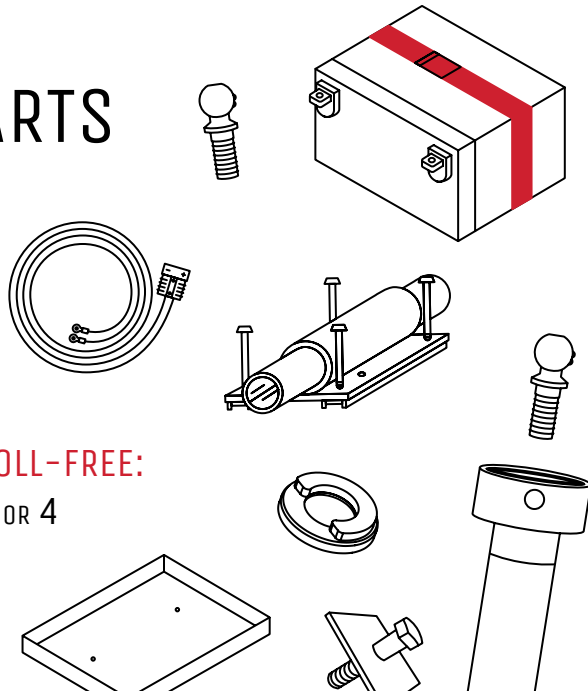
Smart Brake

U1 Battery Kit\*

**ORDER ONLINE OR CALL TOLL-FREE:**

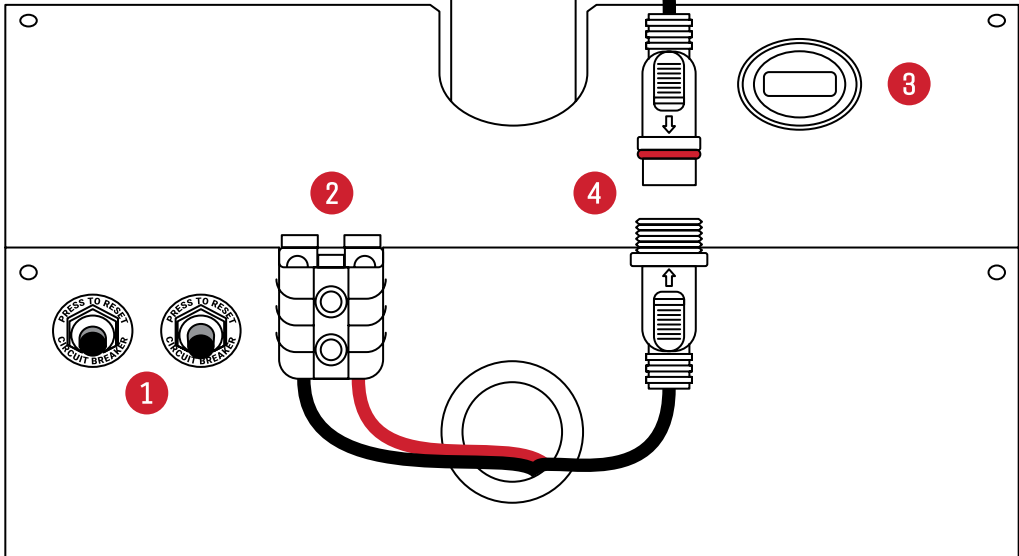
1-888-926-5517 EXT. 1 OR 4

**PARKIT360.COM**



# MODULE FEATURES

QUESTIONS?  
CALL TOLL-FREE:  
1-888-926-5517  
EXT. 4 OR 1



## 1 CIRCUIT BREAKERS

Prevents Motors and Smart Brake from overheating. If a breaker trips, the Reset Button will extend up to 1/2" from the panel.

Allow 30 seconds for the system to cool down, then press Reset.

## 3 VOLT METER

Digital Meter that measures and displays Power Level of Battery. Fully Charged Batteries Rest between 12.6 to 13V.

## 2 BATTERY CABLE PLUG

Plug the 20" or 80" Battery Cable into this port to turn on the Dolly.

## 4 HANDLE POWER CABLES

Make sure the pins and flat faces are properly aligned. Do NOT force them together.



Twist the locking cap over the connection to secure it.

# DRIVE MODES: FREEWHEEL KNOB

## FREEWHEEL

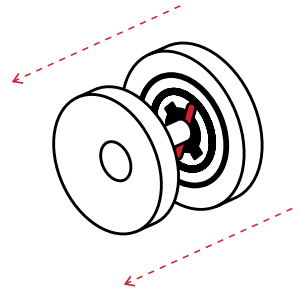
**NEUTRAL.** MOVE THE DOLLY WITHOUT POWER WHILE IT IS NOT UNDER LOAD.

If you are in Engaged Mode, the wheels will be locked in the drive position.

Without power, the Dolly will only move an inch forwards or backwards before stopping.

Rock the Dolly so the wheels rest in between these two stop points.

Pull on the Knob and turn it clockwise. Rest the small pin on the outer edge, not in the pin hole.



**REST PIN OUTSIDE**

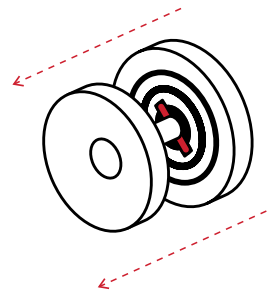
## ENGAGED

**DRIVE.** FOR CONNECTING TO THE TRAILER AND PARKING WITH POWER.

Ensure the Dolly is in parking position and ready to connect to the trailer hitch.

Pull on the Knob and turn it clockwise. Align the small pin with the corresponding slot.

Rock the Dolly back and forth. The knob will pop in with a “click”, engaging the Dolly into Drive.



**PLACE PIN INSIDE**

# POWER OPTIONS

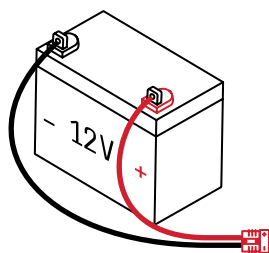
## DOLLY-MOUNTED BATTERY

### SINGLE 12V BATTERY

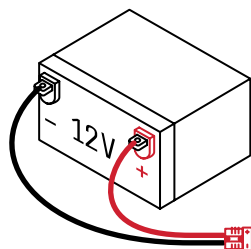
Connect the 20" Cable to one of the following battery types:

- Group 24 Deep Cycle
- Marine
- U1 Sealed

*Batteries can be purchased at a local Hardware Store.*



GROUP 24 OR MARINE

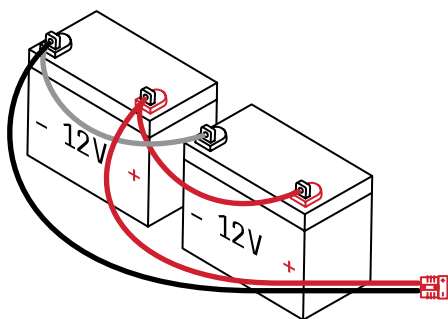


U1 SEALED

## TRAILER BATTERY

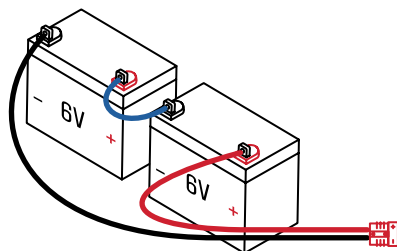
### TWO 12V BATTERIES

Connect the 80" Cable to either Trailer Battery:

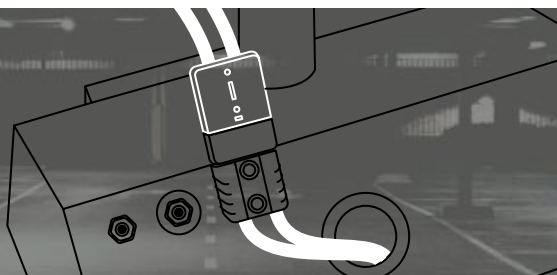


### TWO 6V BATTERIES

Connect the 80" Cable across Both Batteries:



PLUG CABLE INTO DOLLY TO  
TURN ON OR OFF







# DANGER

## DO NOT EXCEED DOLLY'S MAX. WEIGHT CAPACITY

CAN CAUSE DAMAGE TO YOUR TRAILER,  
SERIOUS INJURY, OR EVEN DEATH.

FORCE 5K

UP TO 5,000 LBS

FORCE 10K

UP TO 10,000 LBS

## RE-TIGHTEN BALL MOUNT BEFORE OPERATION

USE JACK POST CONNECTION OR TELESCOPIC  
FRAME ADAPTER FOR TRAILERS:

- BETWEEN 8,000-10,000 LBS GROSS WEIGHT
- WITH MORE THAN 800 LBS TONGUE WEIGHT
- WITH ARTICULATED HITCHES

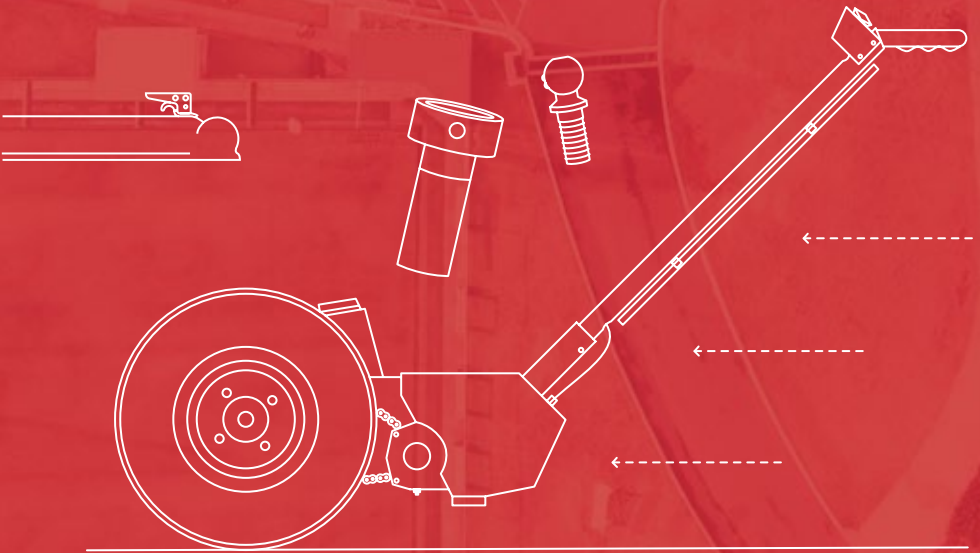
## DO NOT OPERATE ON MORE THAN 6% GRADE

RISK OF RUNAWAY TRAILER.  
DO NOT OPERATE ON STEEP INCLINES.

CONNECTING TO YOUR TRAILER:

# BALL MOUNT ADAPTER

While in **Freewheel Mode**, move the Dolly and Accessories to the Trailer. Choose your preferred **Hitch Ball Size**, and assemble the **Ball Mount**.

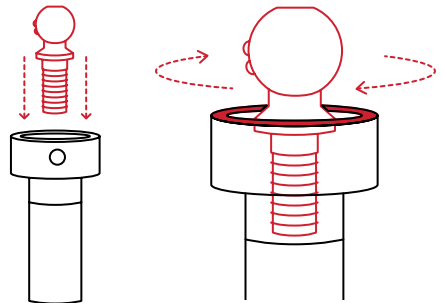


## BALL MOUNT ASSEMBLY

### HITCH BALL

Thread desired **Hitch Ball** into the Ball Mount. Apply a generous portion of **All-Purpose Grease** along the top surface of the **Ball Mount Collar**.

*The shoulder of the Hitch Ball should rest slightly below the top of the collar.*





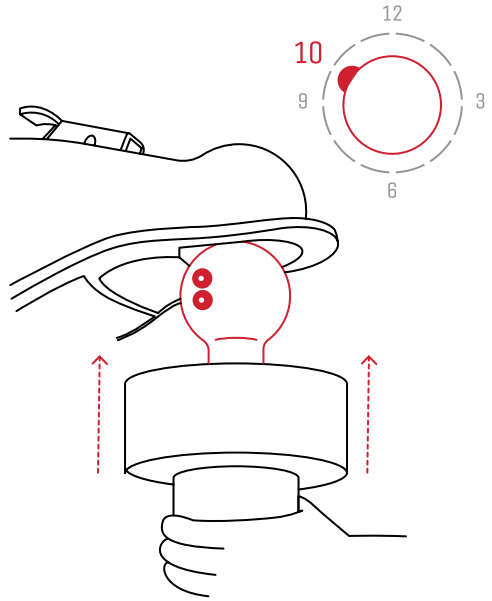
# HITCH BALL PLACEMENT

## WELD SPOTS

Insert the assembled Ball Mount into the Hitch and lock as normal.

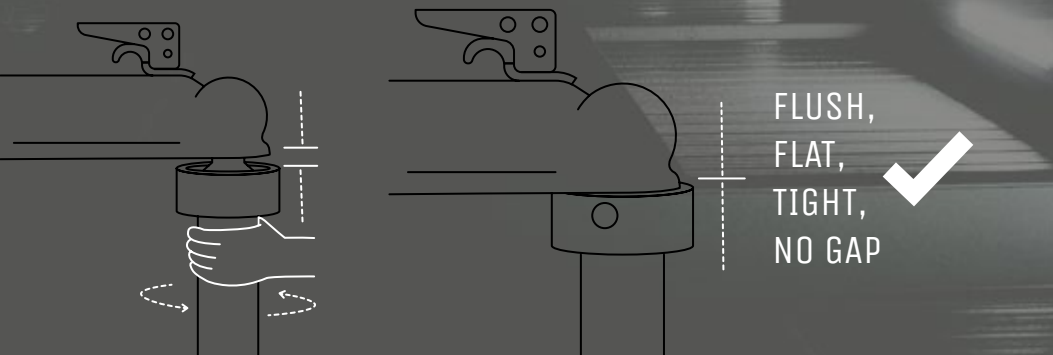
Make sure the **Weld Spots** on the Hitch Ball are pointed towards the **rear left side of your trailer at about 10 o'clock**.

*The hitch may not lock if they are not positioned properly!*



# HITCH CONNECTION

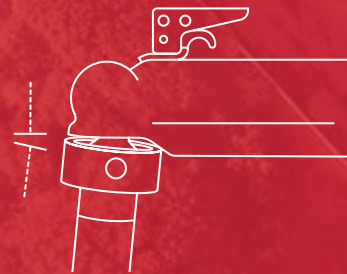
Turn the Ball Mount **Counter Clockwise** until the gap between the Ball Mount Collar and Trailer Tongue closes **tightly**, with **no gap**.



FLUSH,  
FLAT,  
TIGHT,  
NO GAP

Have a **Step Down Hitch** or another obstruction preventing a flat connection?

SEE THRUST WASHER INSTALLATION.



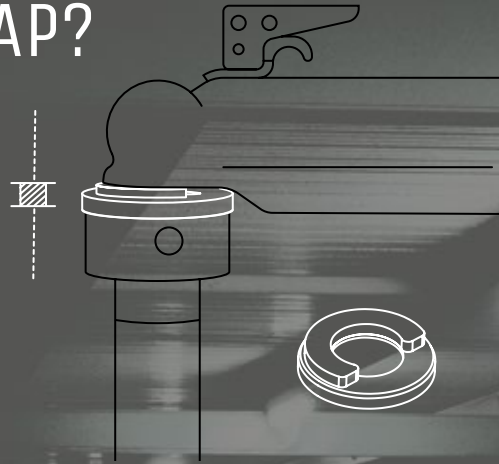
# CONNECTION GAP?

## THRUST WASHER

Remove the Hitch Ball and place the **Thrust Washer** on top of the Ball Mount with the **open section facing the trailer**.

Reinstall the Hitch Ball and **continue Hitch Connection as normal**.

*While tightening, hold the Thrust Washer in place to prevent it from spinning.*



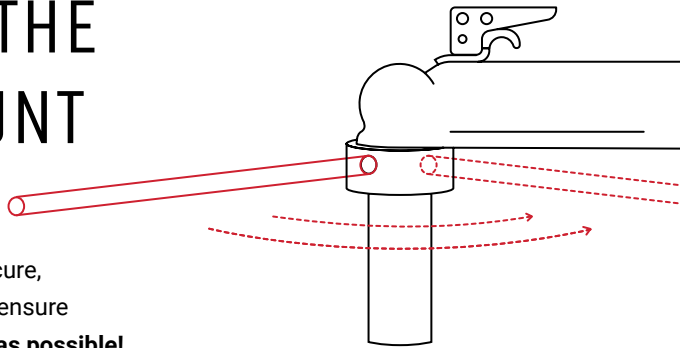
STILL HAVING TROUBLE? SEE ALTERNATE CONNECTIONS.

# TIGHTEN THE BALL MOUNT

## TIGHTENING BAR

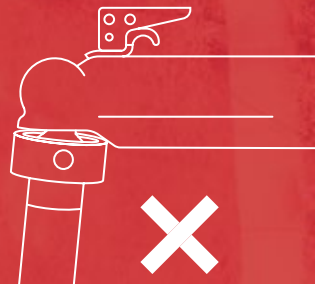
Once the Ball Mount is secure, use the **Tightening Bar** to ensure the connection is **as tight as possible!**

*This will take a few rotations.*



## ⚠️ DANGER

OPERATING WITH A LOOSE CONNECTION CAN CAUSE DAMAGE TO YOUR TRAILER, PERSONAL INJURY, OR EVEN DEATH.



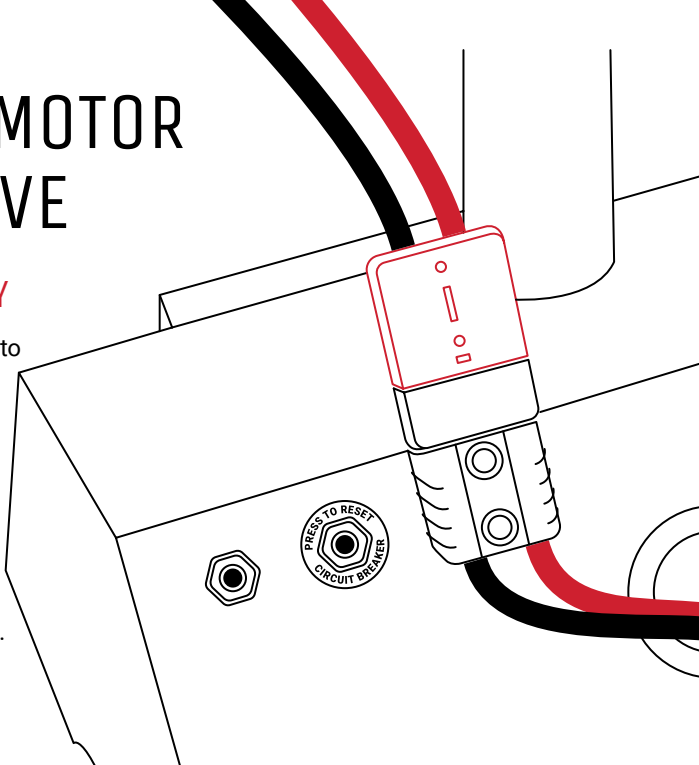
# ENGAGE MOTOR INTO DRIVE

## CONNECT BATTERY

Plug the Battery Cable into the Dolly to turn it ON.

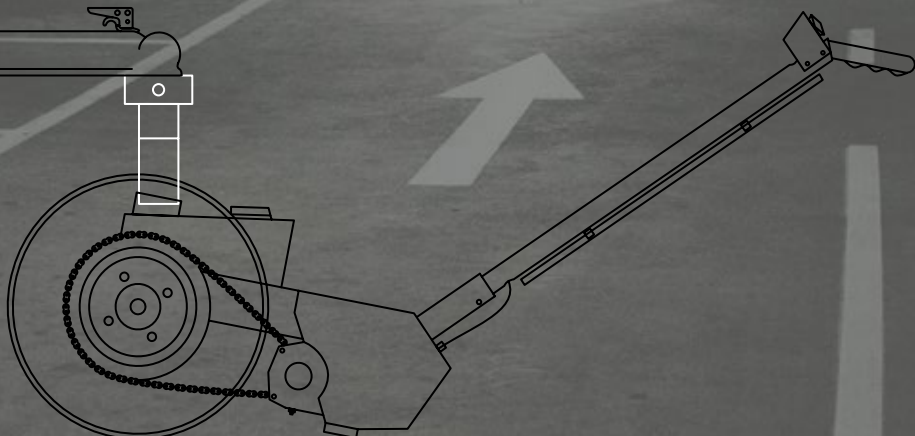
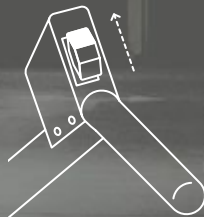
## FREEWHEEL KNOB

Ensure the Dolly is in parking position and ready to connect to the Hitch. **Engage the Motor.**



# ALIGN THE DOLLY

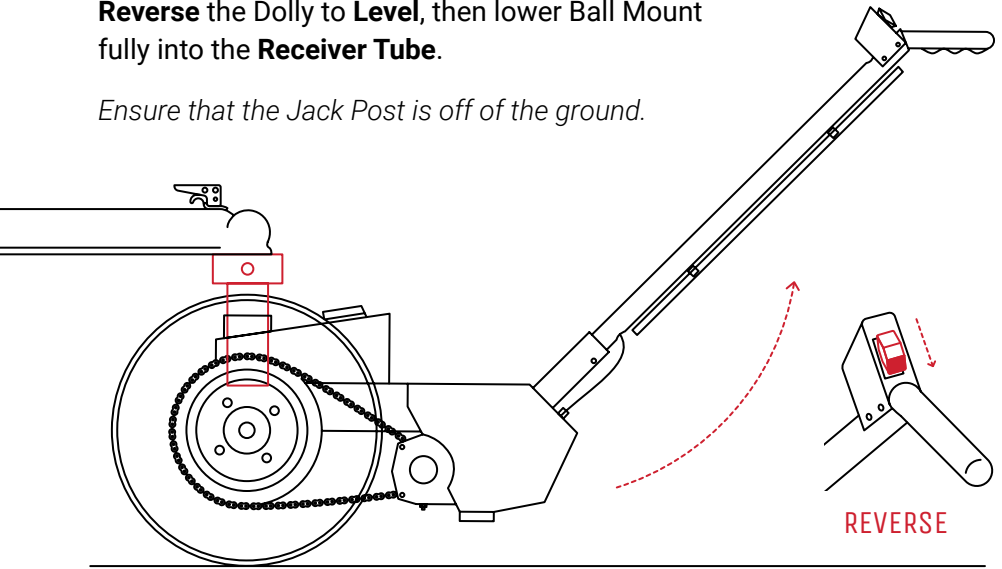
Using the **Handle Toggle Switch**, Drive the Dolly underneath the hitch. Align the **Ball Mount** with the top of the Dolly's **Receiver Tube**.



# INSERT BALL MOUNT

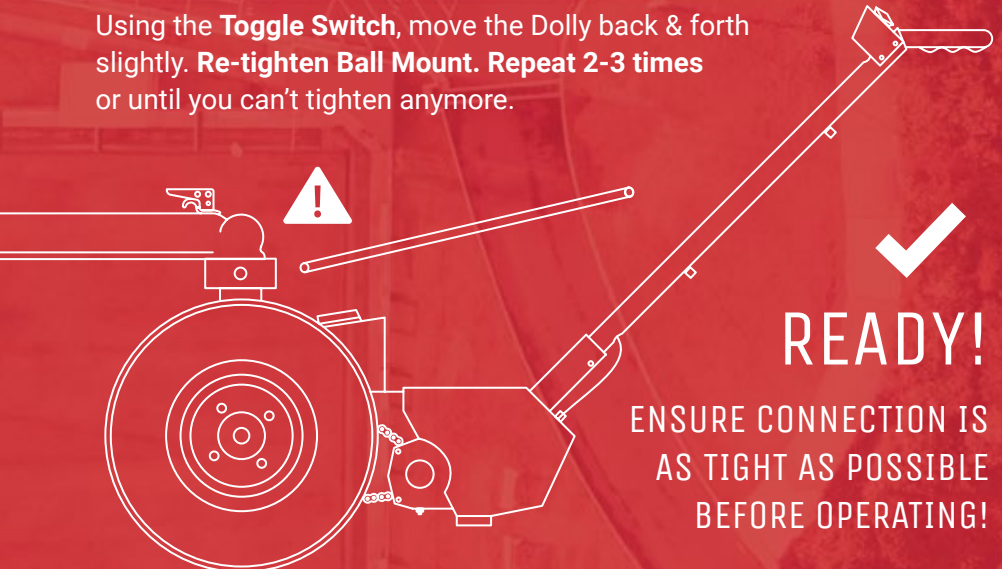
**Reverse** the Dolly to **Level**, then lower Ball Mount fully into the **Receiver Tube**.

*Ensure that the Jack Post is off of the ground.*



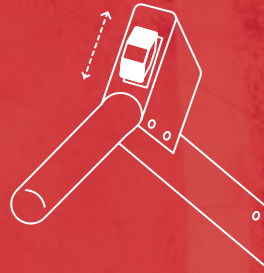
# RE-TIGHTEN BALL MOUNT

Using the **Toggle Switch**, move the Dolly back & forth slightly. **Re-tighten Ball Mount**. Repeat 2-3 times or until you can't tighten anymore.



# PARKING YOUR TRAILER

Use the **Forward** and **Reverse** Toggle Switch to steer into tight spaces that are nearly impossible for vehicles.



# DISCONNECTING THE HITCH

**Chock Trailer Wheels** to prevent a runaway trailer.

**Unplug the Battery Cable** from the Dolly.

**Raise the Trailer** to withdraw the **Ball Mount**.

*The Ball Mount can be removed or left on the hitch for later use.*

# STORAGE

Freewheel the Dolly to desired storage area, preferably under cover.  
Plug the Dolly into a Wall Outlet to Charge the Battery.

# MAINTENANCE

**Grease the Receiver Tube** and **Lubricate the Chain** with **Chain Lube**  
Can be done Annually, or more often if used more frequently.

# QUESTIONS?

**CALL TOLL-FREE:**

1-888-926-5517 EXT. 4 OR 1

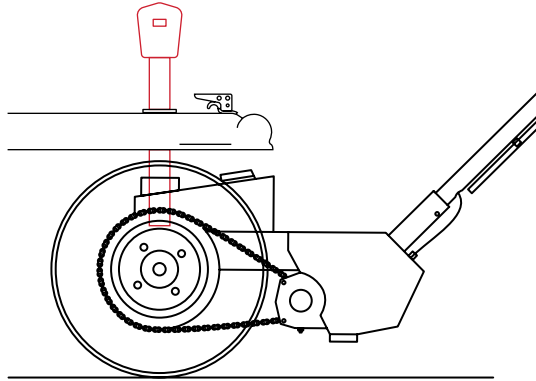
# ALTERNATE CONNECTIONS

## TRAILER JACK POST

### Remove the Ball Mount Adapter.

Lower the Trailer Jack into the Dolly's **Receiver Tube**, following the standard connection process.

*The trailer should rest as close to the Dolly's Tires as possible to reduce strain on the Jack Shaft.*

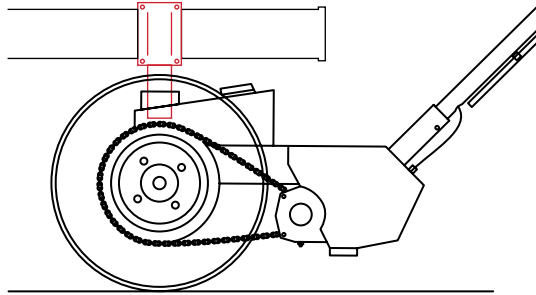


## TELESCOPIC FRAME ADAPTER

Remove the Ball Mount Adapter.

### Attach the Telescopic Adapter to the Y section of the trailer frame.

Lower the Telescoping Pipe into the Dolly, following the standard connection process. Slide the Adapter's locking pin into place.



CALL TOLL-FREE:  
1-888-926-5517

Ext. 1 - Sales  
Ext. 2 - Administration  
Ext. 4 - Technical Support

OFFICE HOURS (WEEKDAYS)  
8AM-6PM EST

[sales@parkit360.com](mailto:sales@parkit360.com)  
[admin@parkit360.com](mailto:admin@parkit360.com)  
[support@parkit360.com](mailto:support@parkit360.com)



## 2 YEAR PARTS & REPAIR WARRANTY

Your Parkit360 Dolly is covered for 2 years from the initial date of purchase. If a defect is found during this time, contact us with the original sales receipt number and details of the fault encountered.

Our Technical Support will attempt to solve the issue remotely. If the issue appears to be caused by defective parts, we will provide free replacement parts, excluding shipping costs.

If the 2 Year Warranty has expired or if you are not the original owner, you will have to pay the cost of parts and shipping. This repair will be covered for 3 months, starting 7 days from the date of shipment.

The Repair Warranty will expire either at the end of the 3 month period, or at the expiration of the original 2 -Year Warranty, whichever is later.

## 30 DAY RETURN POLICY

If a material defect is found or if the Parkit360 has failed to perform to your expectations, return it within 30 days of the date of sale for a refund, less the flat shipping cost of \$250 and 20% restocking fee.

1. Call us at 1-888-926-5517 EXT.1 to let us know about your return. Please provide us with your Sales Receipt or Online Order number.
2. Our staff will provide you with an RMA# that must be written on the box prior to sending. If your Unit came with a Battery Box, please keep it. This accessory does not need to be returned.
3. Tell us when the package is ready. Our staff will provide you with a Shipping Label that must be affixed to the box prior to drop off at your nearest FedEx Depot. If you are unable to drop off the Unit, Pick-Up can be arranged.
4. Receive your refund minus the shipping and restocking fee once the Dolly arrives at our warehouse.

## EXCLUSIONS AND LIMITATIONS

The 2 Year Warranty and 30 Day Return Policy do not cover:

- *Normal wear and tear of the Parkit360 from use*
- *Shipping Costs for Returns / Repairs*
- *Customer Neglect and Improper Use or Storage of the Parkit360*
- *Modified Dollies, or if the Serial Number has been altered or removed*



# DANGER

DO NOT EXCEED DOLLY'S  
MAX. WEIGHT CAPACITY

RE-TIGHTEN BALL MOUNT  
BEFORE OPERATION

DO NOT OPERATE ON MORE  
THAN A 6% GRADE



**Parkit360°**

PARKIT360 INC.

130 Industrial Ave, Unit 600

Carleton Place, ON K7C 3T2 Canada

1-888-926-5517 or [PARKIT360.com](http://PARKIT360.com)