



CRAFT
SKILL LEVEL
BEGINNER

Designed by Sandi Rosner

What you will need:

RED HEART® Super Saver: 1 ball (5 yds / 4.5 m) each
0324 Bright Yellow **A**,
0254 Pumpkin 0254 **B**,
0390 Hot Red **C**,
0706 Perfect Pink **D**,
0672 Spring Green **E**,
0886 Blue **F**, and
0528 Medium Purple **G**

9" [23 cm] paper plate in yellow
9" x 12" [23 x 30.5 cm] sheet of craft foam in orange
9" x 12" [23 x 30.5 cm] sheet of craft foam in yellow
Hole punch
Sharp pin
Tapestry needle
Scissors
Tacky Glue



Sun & Rainbow Plate Weaving

If it's raining outside, stay indoors and make this crafty wall hanging while you wait for the sun to shine again. This fun project is perfect for developing small motor skills and learning your colors.

DIRECTIONS

1. Cut paper plate in half.



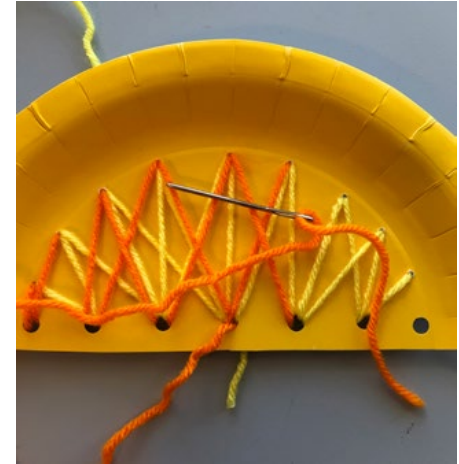
2. Use hole punch to make 7 holes evenly spaced along cut side of plate, $\frac{3}{8}$ " [10 mm] away from the edge.



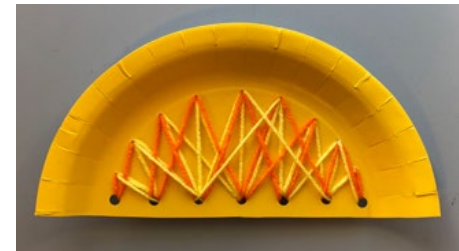
3. Use sharp pin to poke 9 holes evenly spaced inside rim of plate.



4. Cut strands of **A** and **B** approx. 2 yds [1.8 m] long. Use tapestry needle to stitch lines between large holes and small holes, creating sun rays.



5. Continue until you've achieved the desired density. Knot yarns on wrong side to secure.



continued...



4 RED HEART® Super Saver®, Art. E300
MEDIUM available in solid color 7 oz (198 g), 364 yds (333 m); stripes, prints, multis and heathers 5 oz (141 g), 236 yds (215 m); flecks 5 oz (141 g), 260 yds (238 m) skeins

SHOP KIT



2015 - 2019
WOMEN'S CHOICE AWARD®
AMERICA'S MOST RECOMMENDED
YARN BRAND

6. Use Inner Ray template to cut 7 inner rays from orange foam. Use Outer Ray template to cut 8 outer rays from yellow foam.



7. Arrange inner rays around bottom of plate and secure with tacky glue. Arrange outer rays on top of inner rays and secure with tacky glue. Let sit until glue is dry.



8. Cut 6 strands 24" [61 cm] long from each color yarn. Working with each color separately, fold yarn in half.



9. Draw the fold through the large holes, from front to back. Draw ends of yarn through the fold and pull snug. Place a different color in each hole, as shown in photo.



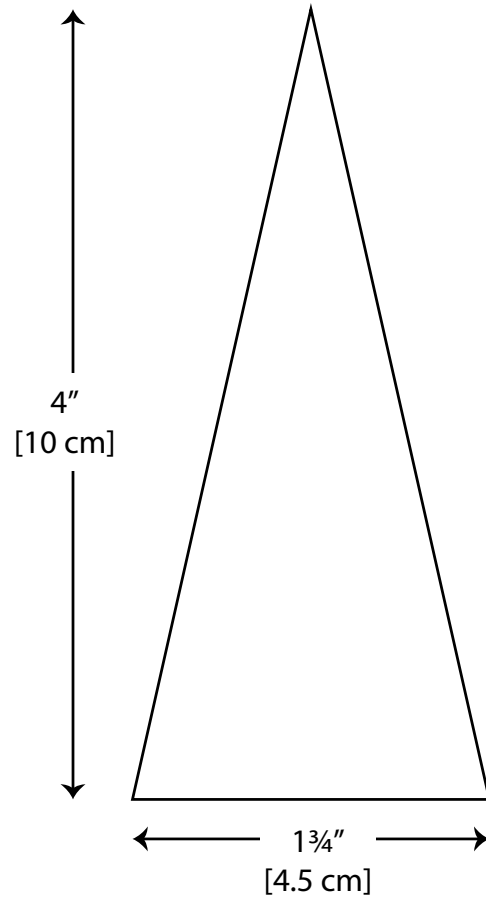
Steam tassels so yarn hangs straight. Trim ends of tassels even.



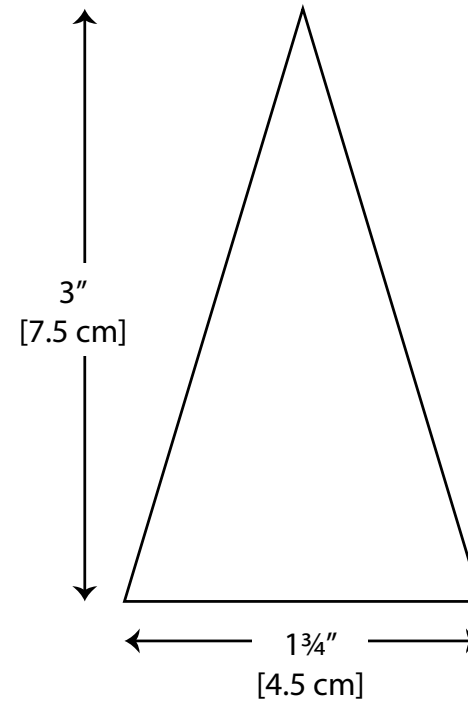
See next page for templates



Outer Ray Template



Inner Ray Template



Note

To ensure the template prints at the correct size make sure print settings are at 100% (actual size).
Do not print fit to page.