



KNIT
SKILL LEVEL
EASY

Designed by Cathy Payson



What you will need:

RED HEART® Boutique Twilight™: 5 balls 9959 Mercury

Susan Bates® Knitting Needles: 10 mm [US 15]

Yarn Needle, stitch marker

GAUGE: 8½ sts = 4" (10 cm); 16 rows = 4" (10 cm) in Simple Garter Lace Pattern. **CHECK YOUR GAUGE.** Use any size needles to obtain the gauge.



RED HEART® Boutique Twilight™, Art E829 available in 3.5 oz (100 g), 59 yd (54 m) balls

Honeycomb Poncho

You'll love having this cozy poncho! It's casual enough for jeans but has a hint of metallic sparkle making it nice for evening. The simple pattern stitch and jumbo yarn make this a quick knit, perfect for gifting!

SHOP KIT

Poncho fits most women.

Finished Measurements:

Neck: 34" (86 cm)

Hem: 45" (114 cm)

Length: 15" (38 cm)

NOTES

Poncho is worked in rows. The 2 pieces (Front and Back) are sew together. When casting on, leave a 25" (64 cm) tail for seaming. When joining Front and Back pieces together, use the "edge st" for seaming.

SPECIAL STITCHES

P2tog = Purl 2 Stitches Together. Purl 2 sts together (decrease).

Yfrn = Yarn Forward Round Needle. Bring yarn forward and wrap around needle. It's worked as a yarn over when worked between a knit stitch and a purl stitch (increase).

PATTERN STITCH

Simple Garter Lace Pattern (multiple of 4 sts + 2)

All Rows: K2, *yfrn, p2tog, k2; repeat from * to end of row.

Repeat every row.

PONCHO

Front and Back (make 2 pieces)

Cast on 48 sts.

Knit 1 row on Wrong Side.

Next Row (Right Side): K1 (edge st), work across row in Simple Garter Lace Pattern to last st, k1 (edge st).

Place stitch marker to mark Right Side of work.

Keeping first and last sts in Stockinette St for edge stitches, and center 46 sts in Simple Garter Lace Pattern, continue until piece

measures 14½" (37 cm) from cast on edge, ending with a Wrong Side row.

Next Row (Right Side): Knit across row decreasing 12 sts evenly spaced—36 sts.

Next Row (Wrong Side): Knit all sts.

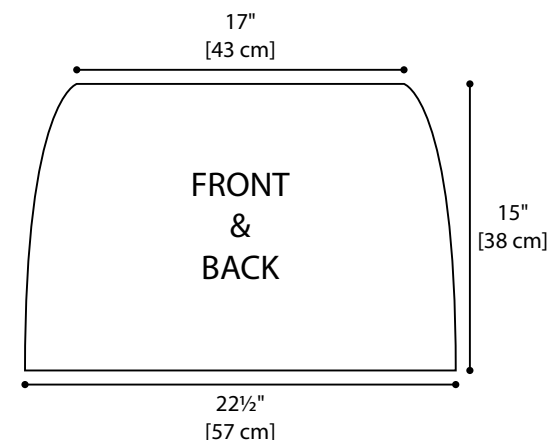
Next Row (Right Side): Bind off all sts leaving a 25" (64 cm) tail to sew side seam.

FINISHING

Join Front and Back pieces together using yarn needle and Mattress St. Sew the "edge sts" together creating a flat, invisible seam. Weave in ends.

ABBREVIATIONS

cm = centimeters; **k** = knit; **k2tog** = knit 2 sts together; **p** = purl; **st(s)** = stitch(es); **St st** = Stockinette stitch; **yfrn** = yarn forward around needle; * or ** = repeat whatever follows the * or ** as indicated.



2015
WOMEN'S CHOICE AWARD™
AMERICA'S MOST RECOMMENDED
YARN BRAND