



MATERIALS

Red Heart® Hygge Fur™ (7 oz/200 g; 260 yds/238 m)
Contrast A Sand Castle (0117) **1 ball**

Red Heart® Super Saver® (7 oz/198 g; 364 yds/333 m)
Contrast B Buff (0334) **1 ball**

Size U.S. 6 (4 mm) circular knitting needle 16" [40 cm] long **or size needed to obtain gauge.** 4 stitch markers.

Optional: 2 purse handle loops ½" [13 mm] long, lining (such as craft felt, fabric, interfacing, and/or plastic canvas)

 KNIT | SKILL LEVEL: **EASY**

ABBREVIATIONS

Approx = Approximately

K = Knit

K2tog = Knit next 2 sts together

M1 = Make 1 stitch by picking up horizontal loop lying before next stitch and knitting into back of loop

P = Purl

P2tog = Purl next 2 stitches together

Rep = Repeat

St(s) = Stitch(es)

MEASUREMENTS

Approx 7" [18 cm] high, 10" [25.5 cm] wide and 2" [5 cm] deep, not including strap.

GAUGE

16 sts and 20 rows = 4" [10 cm] in stocking stitch.

INSTRUCTIONS

Notes:

All pieces of bag are worked with 1 strand each of A and B held together.

Base and body of bag are worked in rounds from the bottom up to the top edge. Flap is then worked back and forth in rows along top edge of body.

When knitting the base and body, the wrong side is facing you.

When the bag is complete, it is turned right side out before the strap is attached and optional liner inserted.

Strap is worked separately and can be sewn directly to bag or attached using optional purse handle loops. If you are using purse handle loops, follow the Shaped Strap instructions. If you are sewing strap to bag, follow the Straight Strap instructions.

A lining is suggested but not mandatory. Also, plastic canvas is suggested for extra sturdiness, but not mandatory.

BAG

Base

With circular needle and 1 strand each of A and B held together,

cast on 84 sts. Taking care not to twist stitches, join in round. Place marker for beginning of round. Knit in rounds until piece measures 1¼" [3 cm] from beginning.

Body

Round 1 (base ridge – wrong side): Purl.

Remove beginning of round marker.

Round 2: *M1, k35, place marker, M1, k7, place marker; rep from * once more—88 sts.

Round 3: *P1, knit to marker, slip marker; rep from * 3 more times. Repeat Round 3 until piece measures 5" [12.5 cm] from Round 1 (base ridge).

Shape Sides

Next Round (decrease round): *P1, k35, slip marker, p1, k2tog, k3, k2tog, slip marker; rep from * once more—84 sts.

Next 4 Rounds: *P1, knit to marker, slip marker; rep from * 3 more times.

Next Round (decrease round): *P1, k35, slip marker, p1, k2tog, k1, k2tog, slip marker; rep from * once more—80 sts.

Next Round: *P1, knit to marker, slip marker; rep from * 3 more times.

Repeat last round until piece measures 7" [18 cm] from Round 1 (base ridge).

Flap

Round 1 (wrong side): P1, k35, p1, cast off next 43 sts—37 sts.

Work now proceeds back and forth in rows over remaining 37 sts only. Work in rows on circular needle as if working with straight needles.

Row 2 (wrong side): Knit.

Row 3 (right side): K3, p to last 3 sts, k3.

Repeat Rows 2 and 3 until flap measures 5½" [14 cm], end with a wrong side row.

Shape Flap

Row 1 (right side): K3, p2tog, purl to last 5 sts, p2tog, k3—35 sts.

Row 2: K3, k2tog, knit to last 5 sts, k2tog, k3—33 sts.

Rows 3 and 4: Repeat Rows 1 and 2—29 sts.

Rows 5 and 6: K3, k2tog, knit to last 5 sts, k2tog, k3—25 sts.

Rows 7 and 8: Knit.

Cast off.

SHAPED STRAP

(make only if using purse handle loops)

With 1 strand each of A and B held together, cast on 2 sts.

Work back and forth in rows.

Row 1: Knit.

Row 2: K1, M1, k1—3 sts.

Rows 3-5: K1, M1, k to end of row—6 sts in Row 5.

Work in Garter st (knit every row) until piece measures 28½" [72.5 cm] from beginning.

Next 4 Rows: K1, k2tog, knit to end of row—2 sts remain.

Last Row: Knit.

Cast off.

STRAIGHT STRAP

(make only if sewing strap directly to bag)

Cast on 6 sts.

Work in Garter st until piece measures 30" [76 cm] from beginning.

Cast off.

FINISHING

With wrong side facing, sew the bottom seam. Open the bag and

flatten the bottom to Round 1 (base ridge) at front and back of bag (1¼" [3 cm] on each side of bottom seam). Triangles are formed at each end of the bottom seam, fold the point of each triangle to the seam and sew in place.

Turn bag right side out.

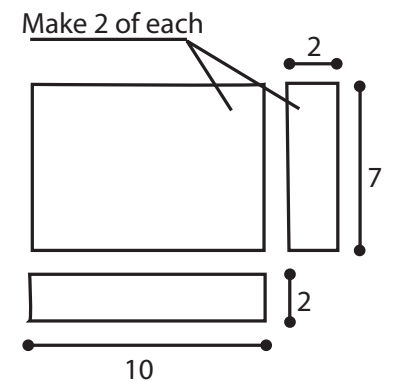
Attach Shaped Strap: Sew each end of strap to one purse handle loop. Sew purse handle loops to top of side edges of bag.

Attach Straight Strap: Sew ends of handle to top of side edges of bag.

Weave in ends.

Plastic Canvas Liner (optional)

Cut 5 pieces of plastic canvas following diagram.



With B, whipstitch pieces together.

Insert liner into bag and sew in place.

Fabric Liner (optional)

Cut 5 pieces of fabric following diagram, adding 1" [2.5 cm] on each side for sewing.

With sewing needle and thread or sewing machine, sew pieces together.

Insert liner into bag and sew in place.

