



CROCHET | SKILL LEVEL: **EASY**

ABBREVIATIONS

Approx =

Approximately

Beg = Beginning

Ch = Chain(s)

Hdc = Half double
crochet

PM = Place marker

Rep = Repeat

Rnd(s) = Round(s)

Sp(s) = Space(s)

St(s) = Stitch(es)

SIZES

To fit chest measurement

6/12 mos **18" [45.5 cm]**

18/24 mos **21" [53.5 cm]**

Finished chest

6/12 mos **22" [56 cm]**

18/24 mos **26" [66 cm]**

GAUGE

13 sc and 14 rows = 4" [10 cm].

INSTRUCTIONS

Note:

- Cardigan is worked in two pieces: Left and Right Sides are identical.
- Ch 2 at beg of row doesn't count as st.

Left and Right Sides (make alike)

Ch 5. Join with sl st to first ch to form a ring.

See diagram on page 2.

1st rnd: Ch 2. 2 hdc in ring. (Ch 2. 2 hdc) 5 times in ring. Join with hdc to top of first hdc (counts as corner ch-2 sp).

2nd rnd: Ch 2. 2 hdc around post of joining hdc. *1 hdc in each of next 2 hdc. (2 hdc. Ch 2. 2 hdc) in next ch-2 sp. Rep from *, ending with: 1 hdc in each of last 2 hdc. 2 hdc in first corner sp. Join with hdc to first hdc.

3rd rnd: Ch 1. 2 hdc around post of joining hdc. *1 hdc in each of next 6 hdc. (2 hdc. Ch 2. 2 hdc) in next ch-2 sp. Rep from *, ending with: 1 hdc in each of last 6 hdc. 2 hdc in first corner sp. Join with hdc to first hdc.

MATERIALS

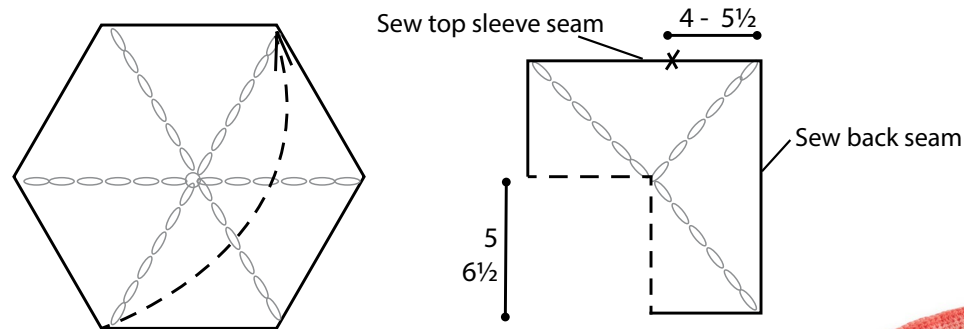
Red Heart® Super Saver® Ombre™ (10 oz/283 g; 482 yds/440 m)

Sizes	6/12	18/24	mos
Sea Coral (3967)	1	1	ball
	187/170	315/285	yds/m

Sizes U.S. H/8 (5 mm) Susan Bates® Silvalume® crochet hook or size needed to obtain gauge. Susan Bates® yarn needle. 1 button 5/8" [1 cm] diameter.

4th rnd: Ch 1. 2 hdc around post of joining hdc. *1 hdc in each hdc to next ch-2 sp. (2 hdc. Ch 2. 2 hdc) in next ch-2 sp. Rep from *, ending with: 2 hdc in each hdc to end of rnd. 2 hdc in first corner sp. Join with hdc to first hdc.

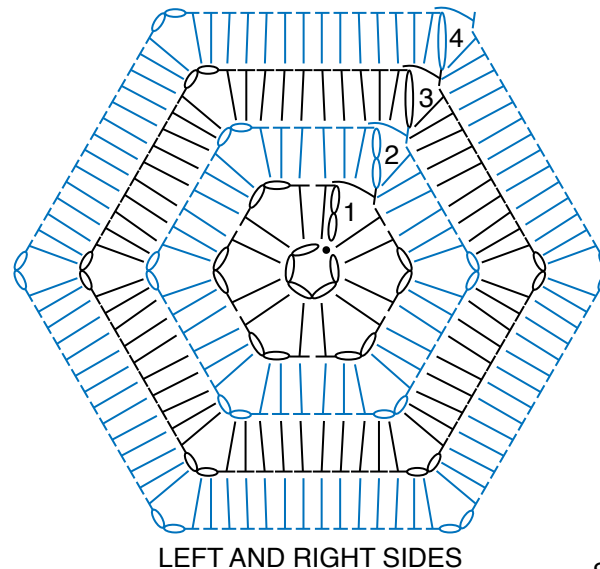
Rep last rnd until work from center to straight side of hexagon measures approx **5 (6½)" [12.5 (16.5) cm]**. Fasten off.



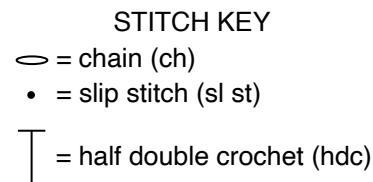
FINISHING

Following Diagram, bring opposite points of Left Side hexagon together and fold to form Cardigan. Rep for Right Side. PM along top edge **4 (5½)" [10 (16.5) cm]** from front edge. Sew back seam. Sew top sleeve seams to markers.

Button Loop: Ch 15. Fasten off. Fold in half. Sew Button Loop 2" [5 cm] down from to top right or left corner. Sew button to correspond to button loop on opposite Front.



LEFT AND RIGHT SIDES



FRONT



BACK