



CROCHET | SKILL LEVEL: EASY

ABBREVIATIONS

Approx =

Approximately

Beg = Beginning

Ch = Chains

Dec(s) = Decrease(s)

Inc = Increase(ing)

Pat = Pattern

Rep = Repeat

RS = Right side

Sc = Single crochet

Sc2tog = Draw up a loop in each of next 2 stitches. Yoh and draw through all 3 loops.

Sp(s) = Space(s)

St(s) = Stitch(es)

WS = Wrong side

Yoh = Yarn over hook

MEASUREMENTS

Approx 46" [117 cm] long x 3" [7.5 cm] wide.

GAUGE

20 sts and 21 rows = 4" [10 cm] in sc/ch-1 (Moss st) pat.

INSTRUCTIONS

Ch 2. (See Diagram on page 2).

1st row: (RS). 3 sc in 2nd ch from hook. Turn. 3 sc.

2nd row: Ch 1. 1 sc in first sc. Ch 1. Skip next sc. 1 sc in last sc. Turn.

3rd row: Ch 1. 1 sc in first sc. 1 sc in next ch-1 sp. Ch 1. 1 sc in last sc. Turn. 4 sts - 3 sc and 1 ch-1 sp.

4th row: Ch 1. 1 sc in first sc. 1 sc in next ch-1 sp. Ch 1. Skip next sc. 1 sc in last sc. Turn.

5th row: Ch 1. 1 sc in first sc. 1 sc in next ch-1 sp. Ch 1. Skip next sc. 2 sc in last sc. Turn. 5 sts - 4 sc and 1 ch-1 sp.

6th row: Ch 1. 1 sc in first sc. Ch 1. Skip next sc. 1 sc in next ch-1 sp. Ch 1. Skip next sc. 1 sc in last sc. Turn.

7th row: Ch 1. 1 sc in first sc. 1 sc in next ch-1 sp. Ch 1. Skip next sc. 1 sc in next ch-1 sp. Ch 1. 1 sc in last sc. 6 sts - 4 sc and 2 ch-1 sps.

8th row: Ch 1. 1 sc in first sc. 1 sc in next ch-1 sp. Ch 1. Skip next sc. 1 sc in next ch-1 sp. Ch 1. Skip next sc. 1 sc in last sc. Turn.

9th row: Ch 1. 1 sc in first sc. *1 sc in next ch-1 sp. Ch 1. Skip next sc. Rep from * to last sc. 2 sc in last sc. Turn. 7 sts - 5 sc and 2 ch-1 sps.

MATERIALS

Red Heart® Unforgettable™ (3.5 oz/100 g; 119 yds/109 m)

Candied (3965)

1 ball or 57 yds/52 m

Size U.S. 7 (4.5 mm) Susan Bates® Silvalume® crochet hook **or size needed to obtain gauge.** Susan Bates® stitch marker. Susan Bates® yarn needle.

10th row: Ch 1. 1 sc in first sc. (Ch 1. Skip next sc. 1 sc in next ch-1 sp) twice. Ch 1. Skip next sc. 1 sc in last sc. Turn.

11th row: Ch 1. 1 sc in first sc. *1 sc in next ch-1 sp. Ch 1. Skip next sc. Rep from * to last ch-1 sp and sc. 1 sc in next ch-1 sp. Ch 1. 1 sc in last sc. Turn. 8 sts – 5 sc and 3 ch-1 sps.

12th row: Ch 1. 1 sc in first sc. *1 sc in next ch-1 sp. Ch 1. Skip next sc. Rep from * to last sc. 1 sc in last sc. Turn.

13th row: Ch 1. 1 sc in first sc. *1 sc in next ch-1 sp. Ch 1. Skip next sc. Rep from * to last sc. 2 sc in last sc. Turn. 9 sts – 6 sc and 3 ch-1 sps.

14th row: Ch 1. 1 sc in first sc. *Ch 1. Skip next sc. 1 sc in next ch-1 sp. Rep from * to last 2 sc. Ch 1. Skip next sc. 1 sc in last sc. Turn.

Rep last 4 rows twice more, inc 1 st at end of every RS row. 13 sts at end of last row. Place marker on last row on RS of work.

Work even in Moss St Pat as follows:

1st row: (RS). Ch 1. 1 sc in first sc. *1 sc in next ch-1 sp. Ch 1. Skip next sc. Rep from * to last ch-1 sp and sc. 1 sc in next ch-1 sp. 1 sc in last sc. Turn.

2nd row: Ch 1. 1 sc in first sc. *Ch 1. Skip next sc. 1 sc in next ch-1 sp. Rep from * to last 2 sc. Ch 1. Skip next sc. 1 sc in last sc. Turn.

Rep last 2 rows for Moss St Pat until work from marked row measures 41" [104 cm], ending on a WS.

Beg Dec's:

1st row: (RS). Ch 1. 1 sc in first sc. *1 sc in next ch-1 sp. Ch 1. Skip next sc. Rep from * to last 2 sts. Skip next ch-1 sp. 1 sc in last sc. Turn. 12 sts.

2nd row: Ch 1. 1 sc in first st. *1 sc in next ch-1 sp. Ch 1. Skip next sc. Rep from * to last sc. 1 sc in last sc. Turn.

3rd row: Ch 1. 1 sc in first sc. *1 sc in next ch-1 sp. Ch 1. Skip next sc. Rep from * to last 3 sts. 1 sc in next ch-1 sp. Sc2tog. Turn. 11 sts.

4th row: Ch 1. 1 sc in first st. *Ch 1. Skip next sc. 1 sc in next ch-1 sp. Rep from * to last 2 sc. Ch 1. Skip next sc. 1 sc in last sc. Turn.

Rep last 4 rows 3 times more to 5 sts, then rep 1st and 2nd rows once more. 4 sts.

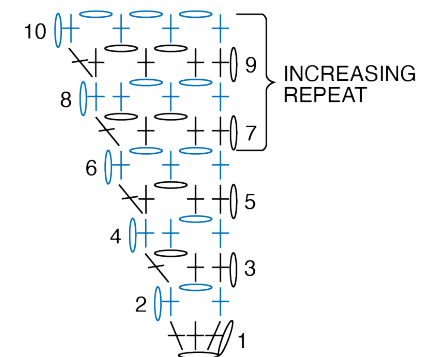
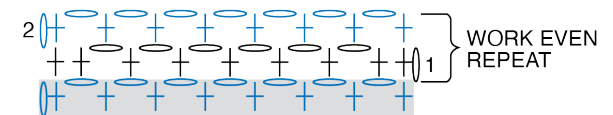
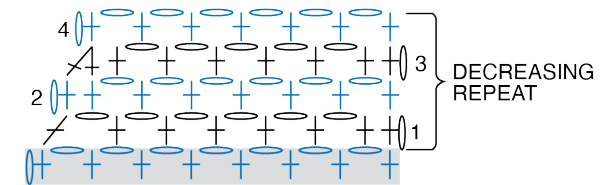
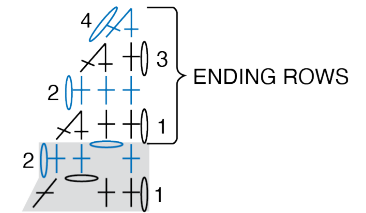
Next row: Ch 1. 1 sc in first sc. 1 sc in next ch-1 sp. Sc2tog. Turn. 3 sts.

Next row: Ch 1. 1 sc in first st. 1 sc in each of next 2 sc. Turn.



Next row: Ch 1. 1 sc in first st. Sc2tog. Turn. 2 sts.

Next row: Ch 1. Sc2tog. Fasten off. Weave in ends.



STITCH KEY

○ = chain (ch)

⊕ = single crochet (sc)

⊕ = single crochet 2 together (sc2tog)

REDUCED SAMPLE OF MOSS STITCH PATTERN