



Summer Striped Top

This easy crocheted top looks great in bright colored stripes. It ends at the hip with a flattering ruffle edging.

LW2492



Designed by Double Stitch Twins.

Directions are for size Small; changes for sizes Medium, Large, X-Large and 2X are in parentheses.

Bust: 26 (30, 34, 36, 40)"

Length: 16"

Top is meant to be worn with negative ease.

STITCH NATION by Debbie Stoller™ "Bamboo Ewe™":
1 (2, 2, 2, 2) Balls each 5280 Geranium **A**, 5625 Sprout **B**
and 5230 Buttercup **C**.

Crochet Hook: 5.5mm [US I-9]
Stitch marker, yarn needle.

GAUGE: 14 dc = 4"; 7 rows = 4". **CHECK YOUR GAUGE.**
Use any size hook to obtain the gauge.

NOTE: Top is worked in continuous rounds from top to lower edge. Place marker for beginning of round.

TOP

With **A**, ch 92 (106, 120, 127, 141), slip st in first ch to join, taking care not to twist sts. Place marker for beginning of round.

Round 1: Sc in each ch around – 92 (106, 120, 127, 141) sc.

Round 2: Dc in each sc around.

Round 3: Dc in each dc around.

Rounds 4-7: Change to **B**, dc in each dc around.

Round 8: Change to **A**, dc in each dc around.

Rounds 9-10: Working in back loops only, dc in each dc around.

Rounds 11-14: Change to **C** and working in back loops only, dc in each dc around.

Rounds 15-16: Change to **A** and working in back loops only, dc in each dc around.

Rounds 17-20: Change to **B** and working in back loops only, dc in each dc around.

Rounds 21-22: Change to **A** and working in back loops only, dc in each dc around.

Rounds 23-26: Change to **C** and working in back loops only, dc in each dc around.

Round 27: Change to **A**, work 3 dc in each dc around, slip st in first dc.

Fasten off.

Turn inside out.

Neck Ties

Mark center 3 sts on Front.

Row 1: With **C**, ch 60, with wrong side facing, join **C** in next st to left of center marked 3 sts, sc in each st around to last st to right of center marked 3 sts, leave center sts unworked, ch 60.

Fasten off.

Row 2: With **C**, ch 60, sc in each sc of Row 1, ch 60.
Fasten off.



©2011 Coats & Clark
P.O. Box 12229
Greenville, SC 29612-0229

For more ideas & inspiration -

www.redheart.com

www.crochettoday.com www.knittingtodaymag.com

double stitch twins

Row 3: With **B**, ch 60, sc in each sc of Row 2, ch 60.
Fasten off.

Row 4: With **B**, ch 60, sc in each sc of Row 3, ch 60.
Fasten off.

Row 5: With **A**, ch 90, skip first sc, sc in next sc of Row 4, [ch 4, skip next 3 sc, sc in next 4 sc] 12 (14, 16, 17, 19) times, ch 4, skip next 3 sc, sc in next sc, ch 90.

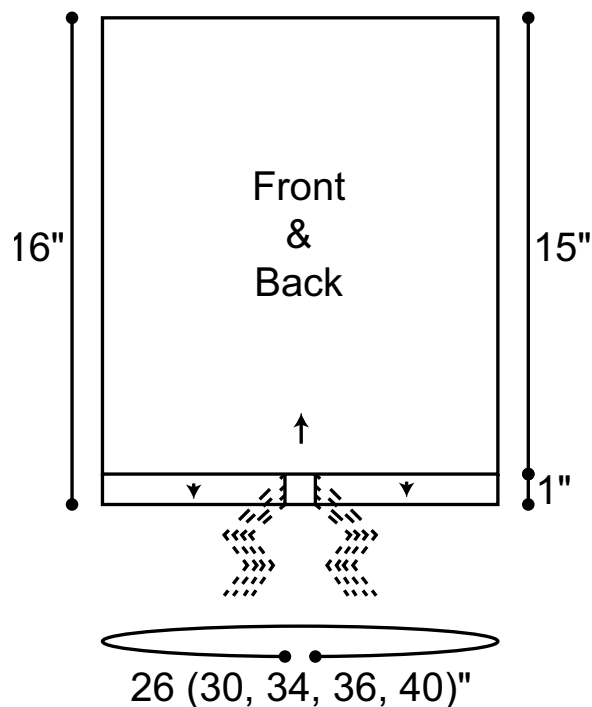
Row 6: Sc in 2nd ch from hook, sc in each ch across, sc in next sc, [3 sc in next ch-4 space, sc in next 4 sc] 12 (14, 16, 17, 19) times, 3 sc in last ch-4 space, sc in last sc, sc in each ch across.
Fasten off.

Weave in ends.



STITCH NATION by Debbie Stoller™
“Bamboo Ewe™” Art. T101 available in
3.5 oz (100 g); 177 yd (162 m) balls.

ABBREVIATIONS: **A, B, C** = Color A, B, C; **ch** = chain;
dc = double crochet; **mm** = millimeters; **sc** = single crochet;
st(s) = stitch(es); [] = work directions in brackets the
number of times specified.



©2011 Coats & Clark
P.O. Box 12229
Greenville, SC 29612-0229

For more ideas & inspiration -

www.redheart.com

www.crochettoday.com www.knittingtodaymag.com