

Yarnspirations™



MAKE THIS

# CROCHET GRANNY GAUNTLETS



Cyber Leaf



CROCHET | SKILL LEVEL: **EASY**





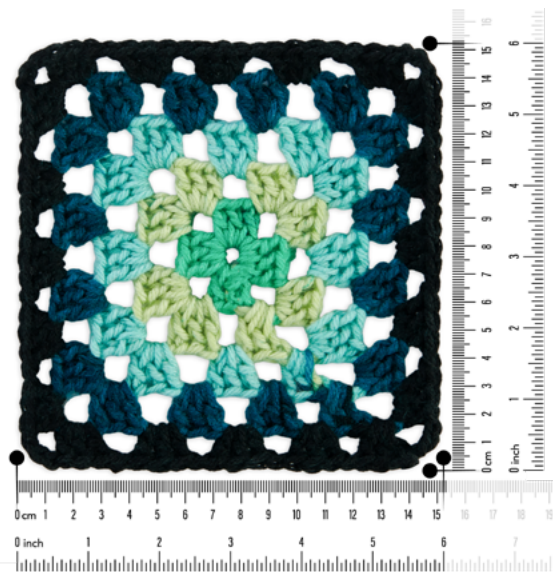
# MAKE THIS

## WHAT YOU'LL NEED



## GAUGE

Motif = Approx 6" [15 cm] square.



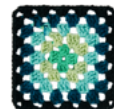
## YARN

- **Red Heart® All in One™ Granny Square™**  
(8.8 oz/250 g; 417 yds/381 m)

## COLORS

Quantity

- **Cyber Leaf (2021)**



1 ball (4 Granny Squares) or  
168 yds/154 m

## TOOLS

- Size U.S. I/9 (5.5 mm) Susan Bates® Silvalume® crochet hook **or size needed to obtain gauge.**
- Susan Bates® yarn needle.
- Tape measure.



## MAKE THIS

### ABBREVIATIONS

<b>Approx</b> = Approximately	<b>RS</b> = Right side
<b>Beg</b> = Begin(ning)	<b>Sc</b> = Single crochet
<b>Ch</b> = Chain(s)	<b>Sl st(s)</b> = Slip stitch(es)
<b>Dc</b> = Double crochet	<b>Sp(s)</b> = Space(s)
<b>Rem</b> = Remaining	<b>St(s)</b> = Stitch(es)
<b>Rep</b> = Repeat	<b>Tog</b> = Together
<b>Rnd(s)</b> = Round(s)	<b>WS</b> = Wrong side

## INSTRUCTIONS

### USING THIS GUIDE

Click on the underlined words throughout the pattern to access our library of helpful tools.

### NOTES

- Motifs begin with Color 1 (shortest color rep) from center of pull-skein, leaving a 4" [10 cm] tail to **weave in**.
- Each color aligns with 1 round (rnd) in the Motif with 5 colors in total. If too much color is left at end of rnd, pull back some stitches (sts) and slightly loosen gauge to re-work sts and finish at color change. If too little color is left, pull back some sts and slightly tighten gauge to re-work sts and finish at color change.
- When Motif is complete, cut yarn where Color 5 (longest color rep) ends, leaving a tail for weaving in. Begin next Motif with Color 1 and repeat 5 rnds for each Motif.
- Granny Square how to: <https://www.yarnspirations.com/pages/how-to-granny-square-guide>

## MEASUREMENTS

Approx 12" [30.5 cm] long x 8" [20.5 cm] circumference.





# MAKE THIS

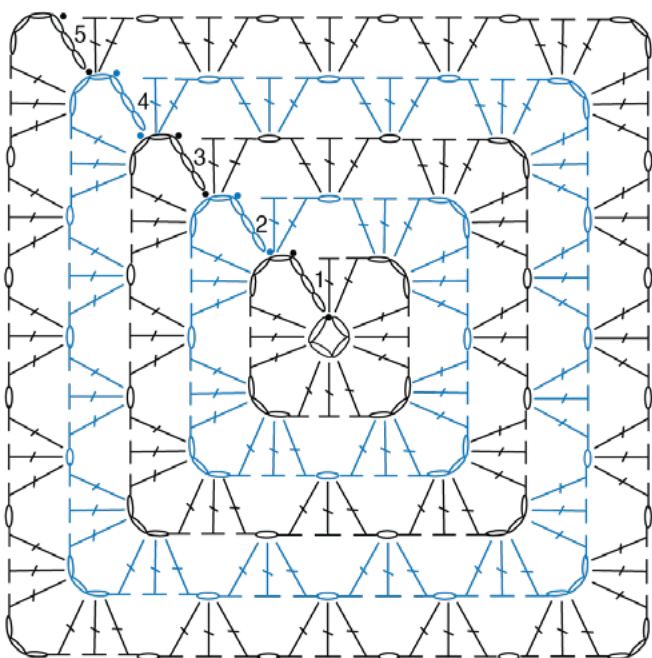
## INSTRUCTIONS

### MOTIFS

Make 4.

### Notes:

- Ch 3 at beg of rnd counts as **double crochet** (dc).
- Ch 6 at beg of rnds counts as dc and ch-3 sp.
- Join all rnds with **slip stitch** (sl st) to 3rd ch of ch-6 unless otherwise indicated.



### STITCH KEY

- = chain (ch)
- = slip stitch (sl st)
- ⌋ = double crochet (dc)

**Granny Square how to:**  
<https://www.yarnspirations.com/pages/how-to-granny-square-guide>

With Color 1, ch 4. Join with sl st to first ch to form ring.

**1st rnd:** (RS). Ch 6. (3 dc. Ch 3) 3 times in ring. 2 dc in ring. Join.

**2nd rnd:** Sl st in ch-3 sp. Ch 6. 3 dc in same ch-3 sp. \*Ch 1. (3 dc. Ch 3. 3 dc) in next ch-3 sp. Rep from \* twice more. Ch 1. 2 dc in first ch-3 sp. Join.

**3rd rnd:** Sl st in ch-3 sp. Ch 6. 3 dc in same ch-3 sp. \*Ch 1. 3 dc in next ch-1 sp. Ch 1. (3 dc. Ch 3. 3 dc) in next ch-3 sp. Rep from \* twice more. Ch 1. 3 dc in last ch-1 sp. Ch 1. 2 dc in first ch-3 sp. Join.

**4th and 5th rnds:** Sl st in ch-3 sp. Ch 6. 3 dc in same ch-3 sp. \*(Ch 1. 3 dc) in each ch-1 sp to next ch-3 sp. Ch 1.\*\* (3 dc. Ch 3. 3 dc) in next ch-3 sp. Rep from \* twice more, then from \* to \*\* once. 2 dc in first ch-3 sp. Join.

**Fasten off.**



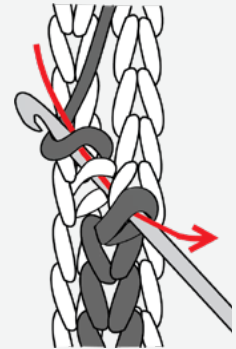
# MAKE THIS

## INSTRUCTIONS

### ABBREVIATIONS

<b>Approx</b> = Approximately	<b>RS</b> = Right side
<b>Beg</b> = Begin(ning)	<b>Sc</b> = Single crochet
<b>Ch</b> = Chain(s)	<b>Sl st(sts)</b> = Slip stitch(es)
<b>Dc</b> = Double crochet	<b>Sp(s)</b> = Space(s)
<b>Rem</b> = Remaining	<b>St(s)</b> = Stitch(es)
<b>Rep</b> = Repeat	<b>Tog</b> = Together
<b>Rnd(s)</b> = Round(s)	<b>WS</b> = Wrong side

**Seaming with Flat Sl St Join:** (RS). With rem yarn, sl st 2 Motifs tog, working through the back loops only and keeping working yarn to WS of work to create a flat sl st chain detail on RS of work (see diagram). **Fasten off.** Rep with rem Motifs for second Gauntlet.



Flat Sl St Joining

**Note:** Keep working yarn to WS of work so only flat sl st chain is visible on RS.

## Gauntlet

**Note:** Side Section rows use yarn as 'self-stripping' yarn, allowing colors to change as they appear.

**1st row:** (RS) Join yarn with sl st to bottom right ch-3 sp. Working along long edge, ch 1. 1 **single crochet** (sc) in same sp as sl st. \*1 sc in each dc and ch-1 sp to next ch-3 sp.\*\* 1 sc in each of next 2 ch-3 sps. Rep from \* to \*\* once. 1 sc in next ch-3 sp. Turn. 42 sc.

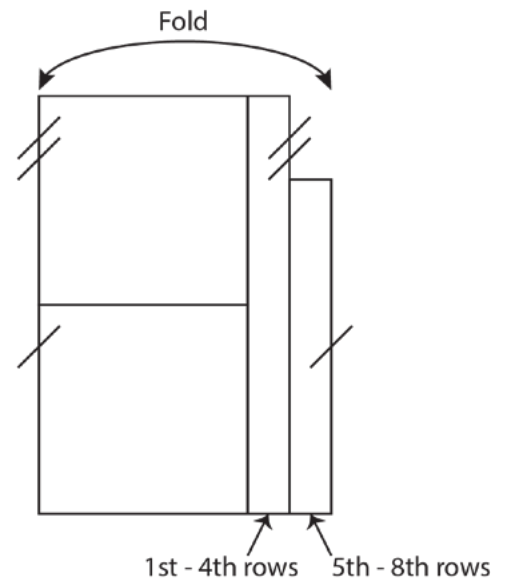
**2nd row:** Ch 1. 1 sc in each sc to end of row. Turn.

**3rd and 4th rows:** Rep 2nd row.

**5th row:** Ch 1. 1 sc in each of first 33 sc. **Turn.** Leave rem sts unworked.

**6th to 8th rows:** Rep 2nd row.

**9th row:** Fold work in half lengthwise with WS tog. Ch 1. Working through both thicknesses of 8th row and Motif, work Flat sl st join across 33 sts. At end of 8th row, skip next 2 sts of Motif and 4th row. Cont Flat sl st join in rem sts of 4th row. **Fasten off.**



Key

= Seam tog

= Seam tog

We love seeing your makes! Share your photos using #YARNSPO and tag us @yarnspirations on Instagram or find us on Facebook.